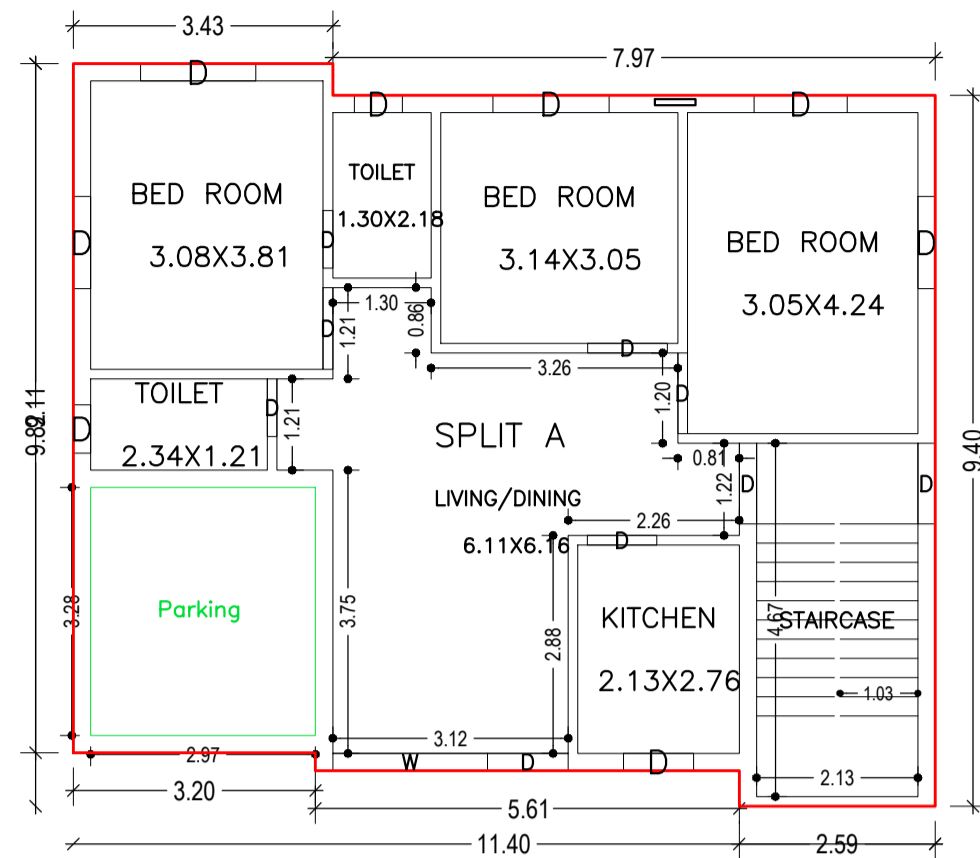
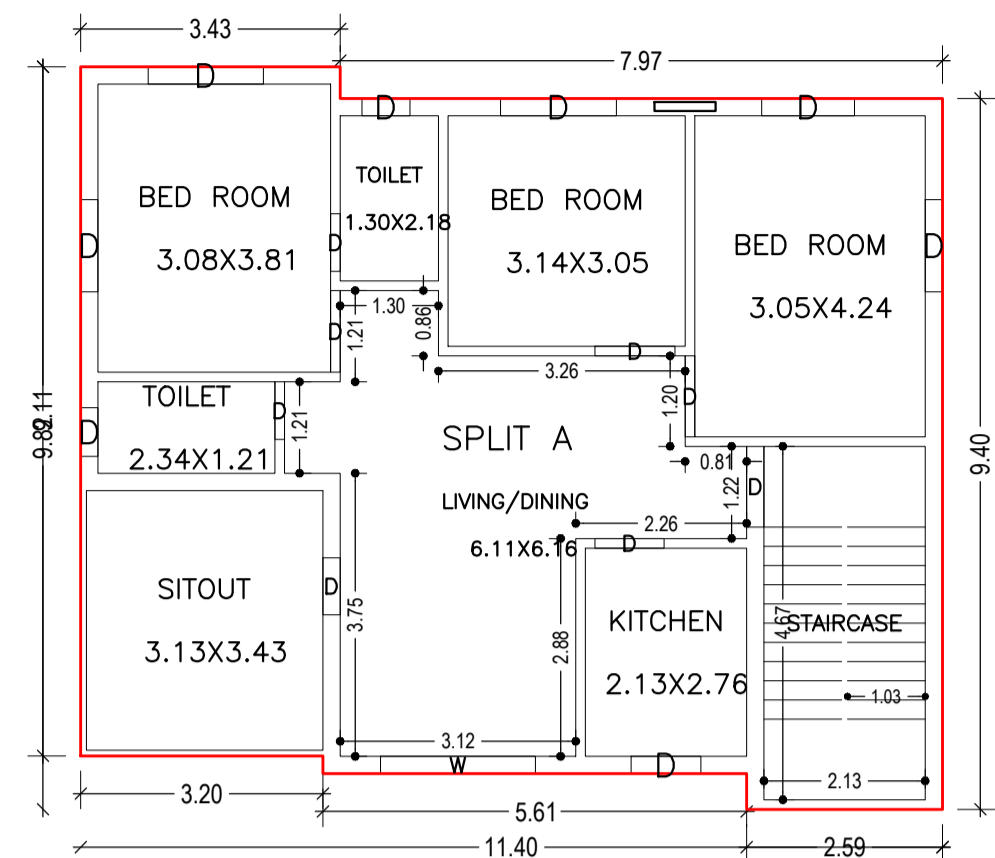


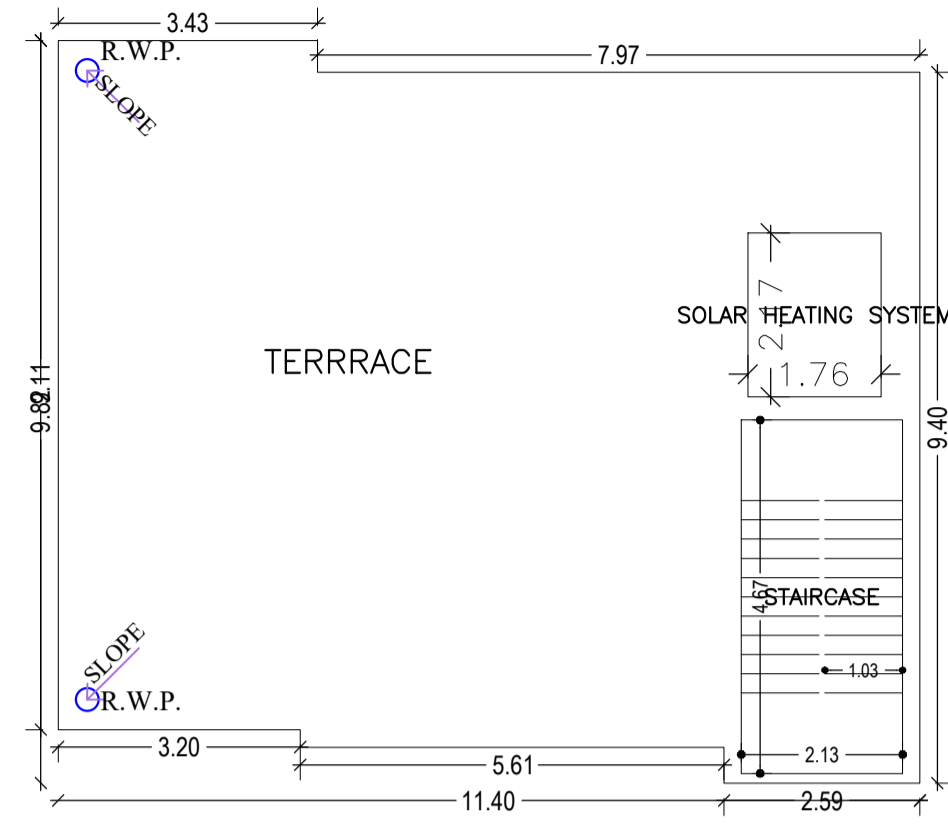
Proposal Basic Information	
Proposal File No.	MADA/BP/0084/2021
Owner Name	SRI PRAMOD KUMAR YADAV
Khata No	OLD - 56 , NEW - 237
Plot No	OLD - 774 , NEW - 880
Village Name	Nawadh
Use	Residential
SubUse	Bungalow/ Dwelling / Non Apartment



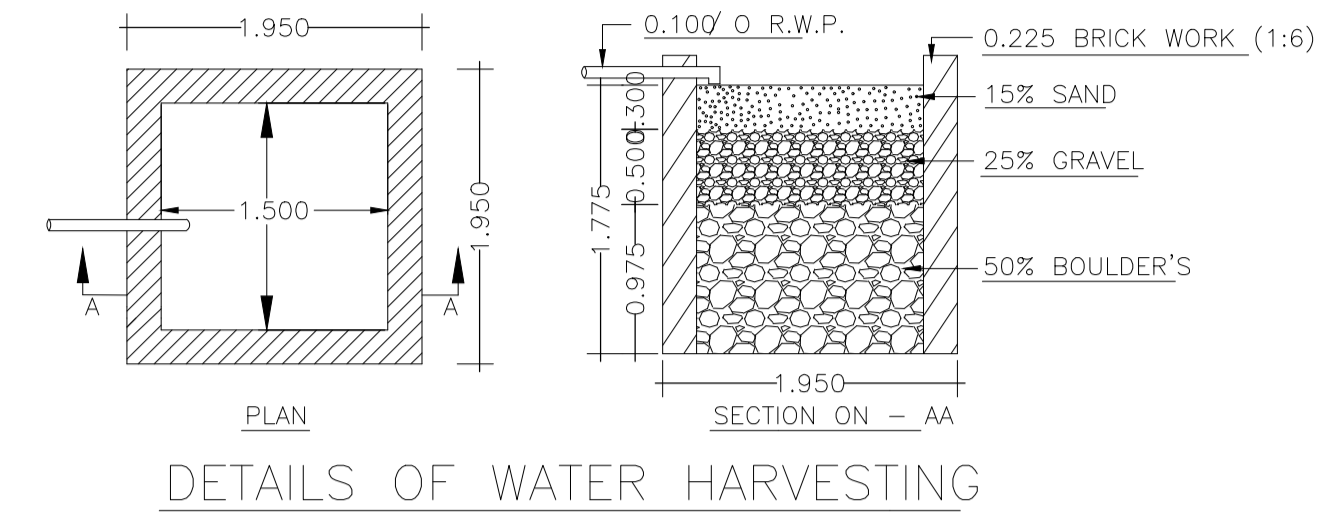
GROUND FLOOR PLAN
(Proposed)
(SCALE 1:100)



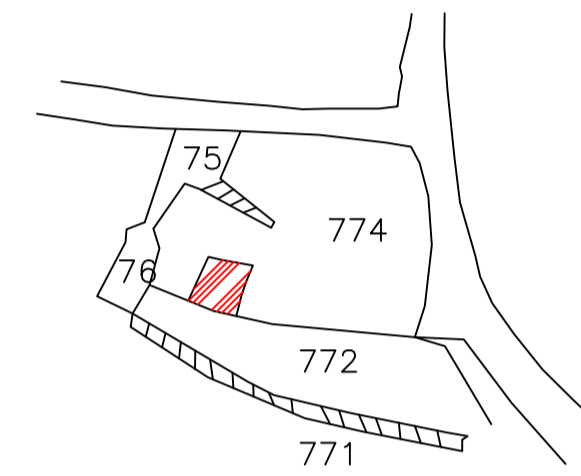
FIRST FLOOR PLAN
(Proposed)
(SCALE 1:100)



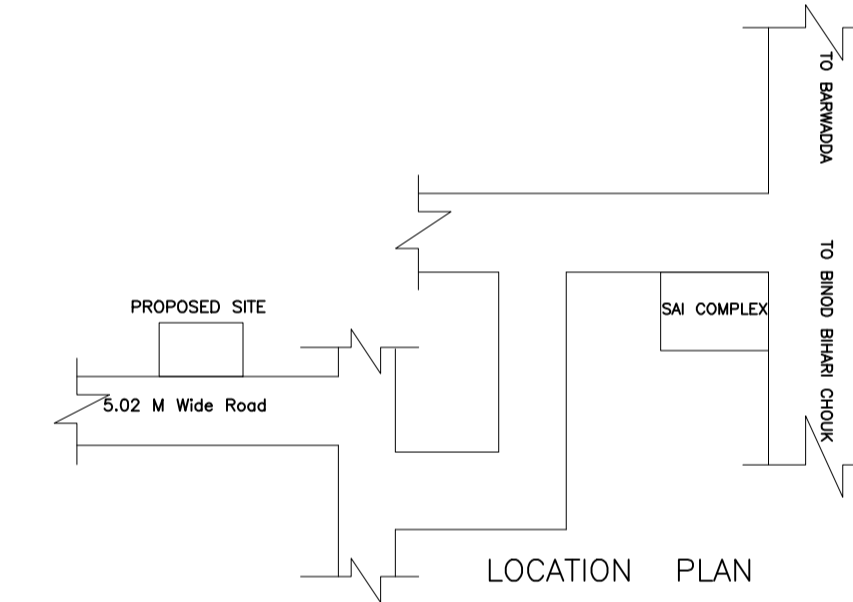
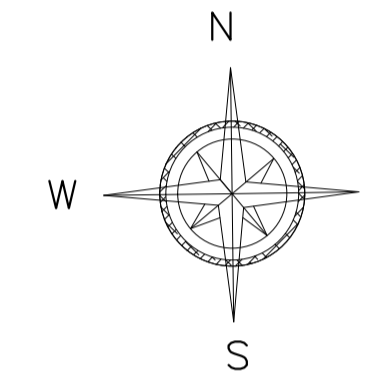
TERRACE FLOOR PLAN
(SCALE 1:100)



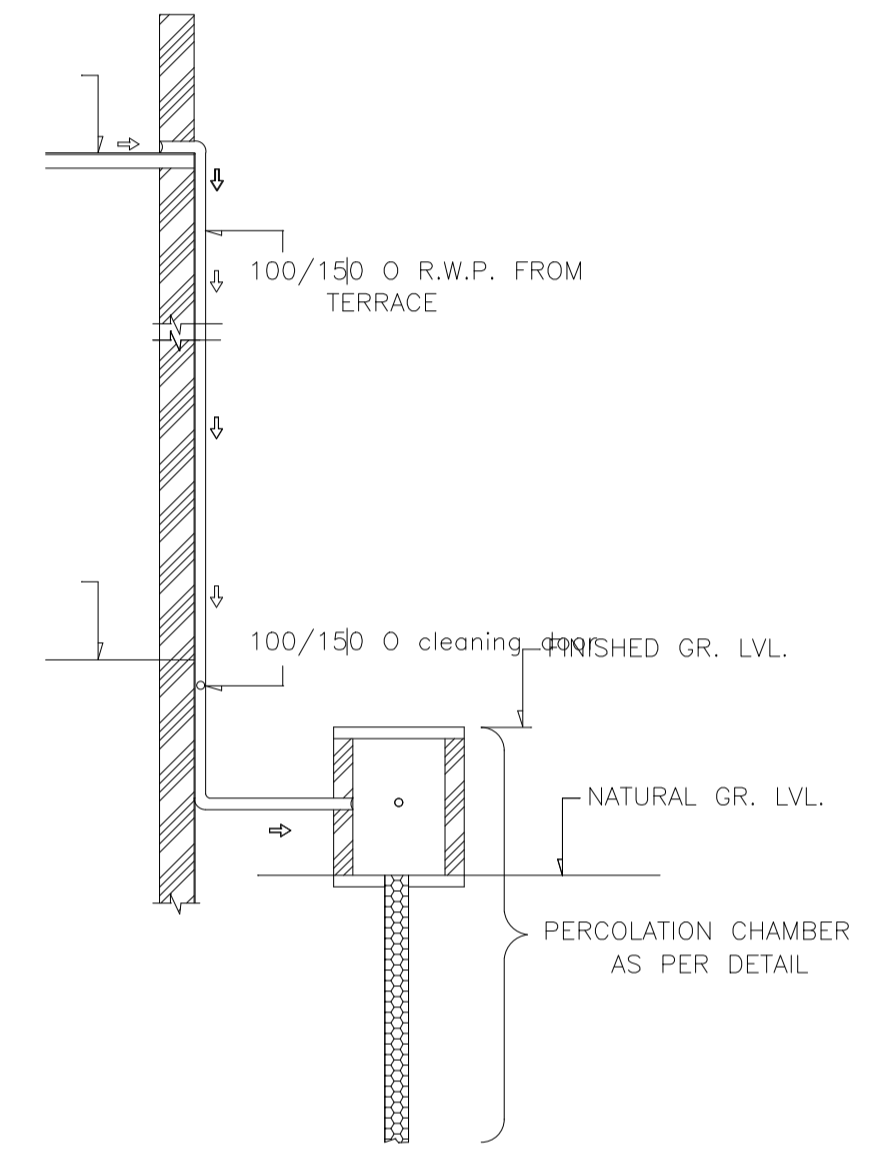
DETAILS OF WATER HARVESTING



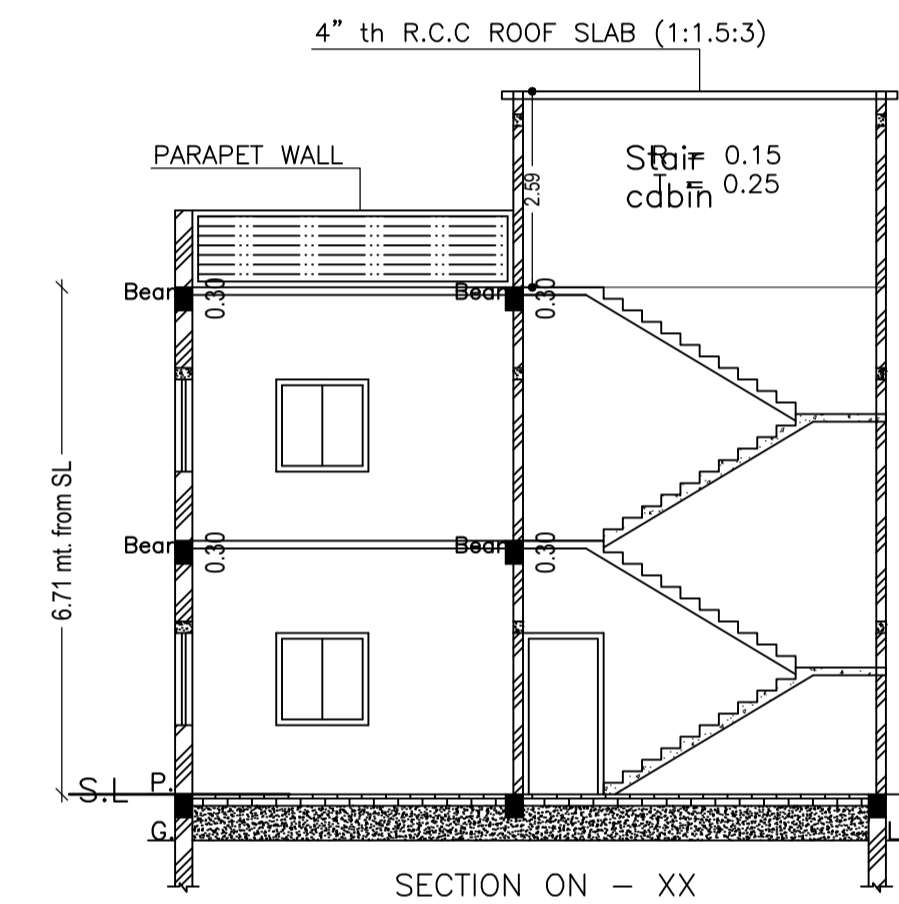
KEY PLAN



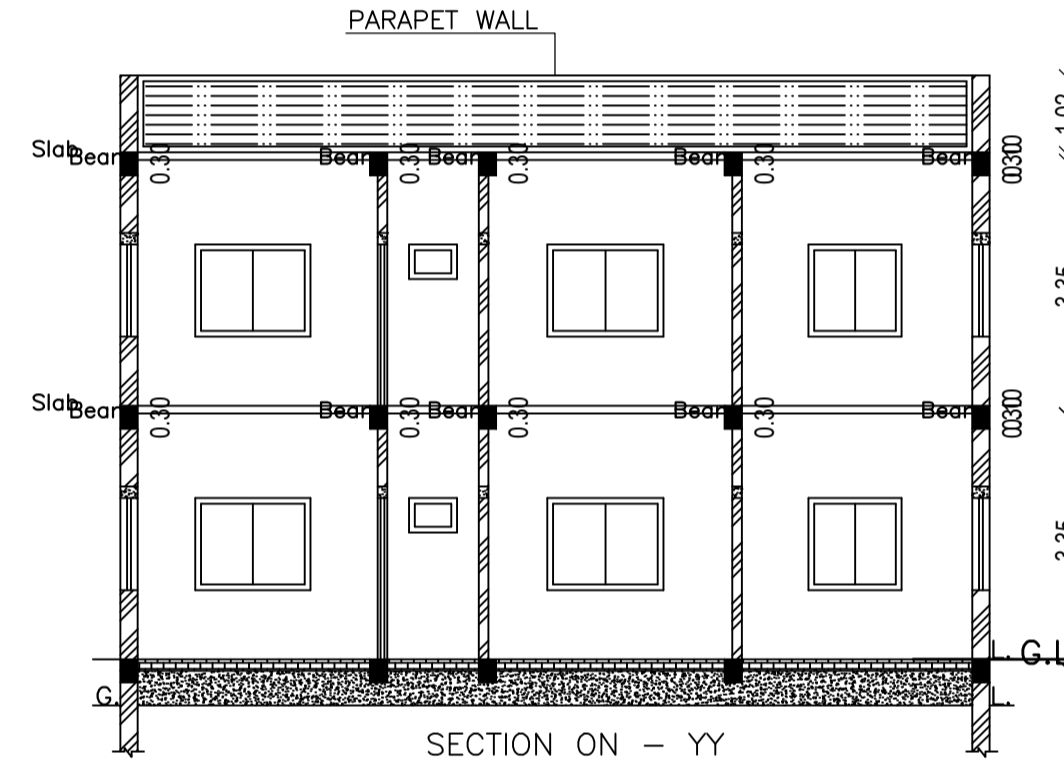
LOCATION PLAN



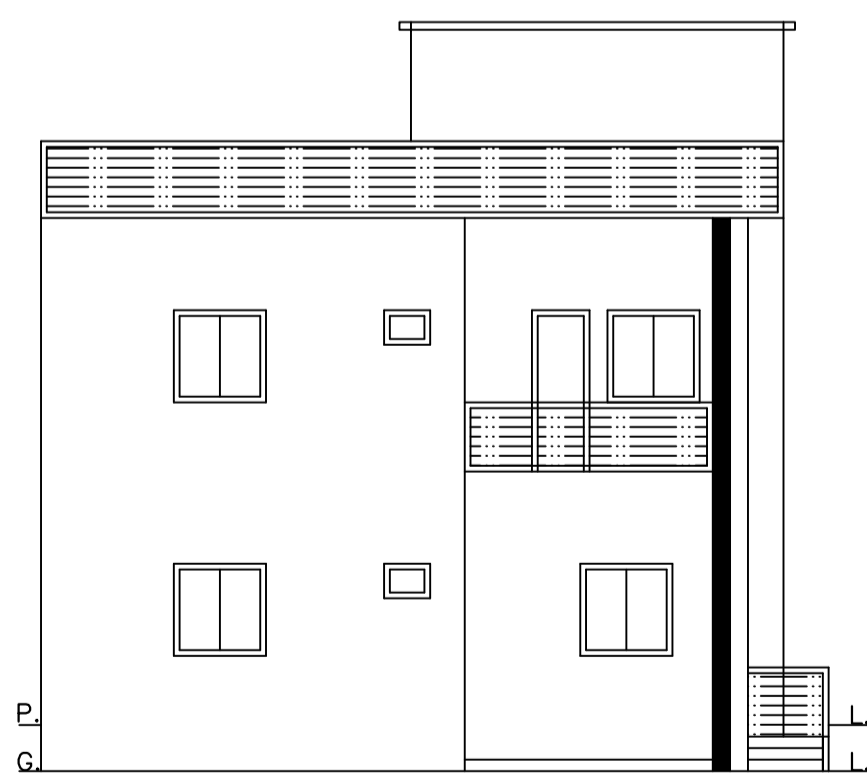
ROOF TOP RAIN WATER COLLECTION SYSTEM



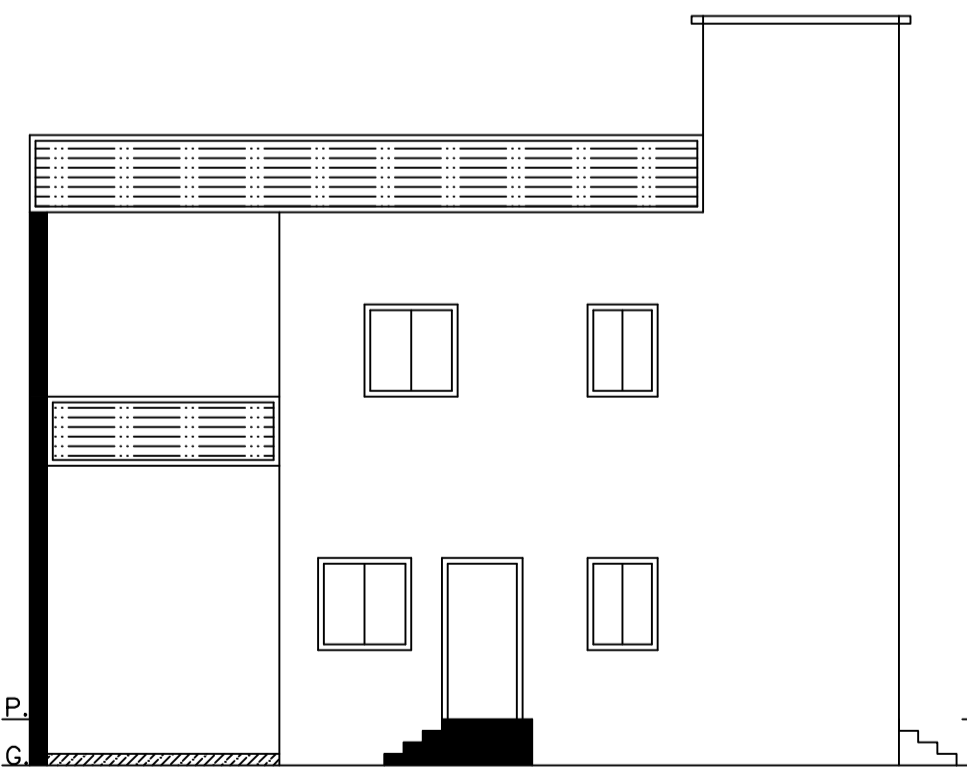
SECTION ON - XX



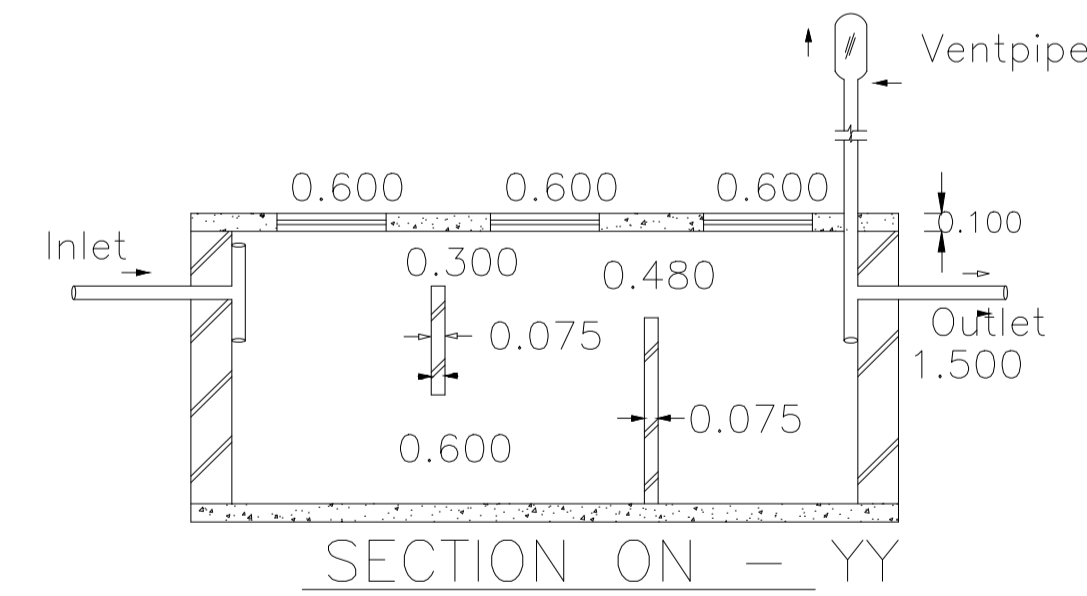
SECTION ON - YY



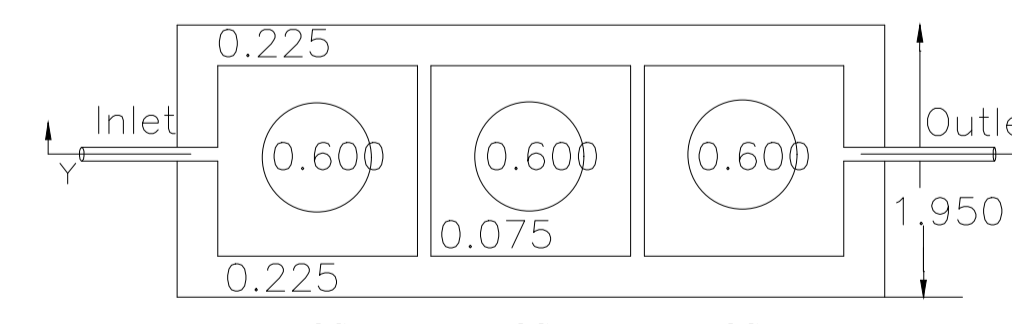
LEFT SIDE ELEVATION



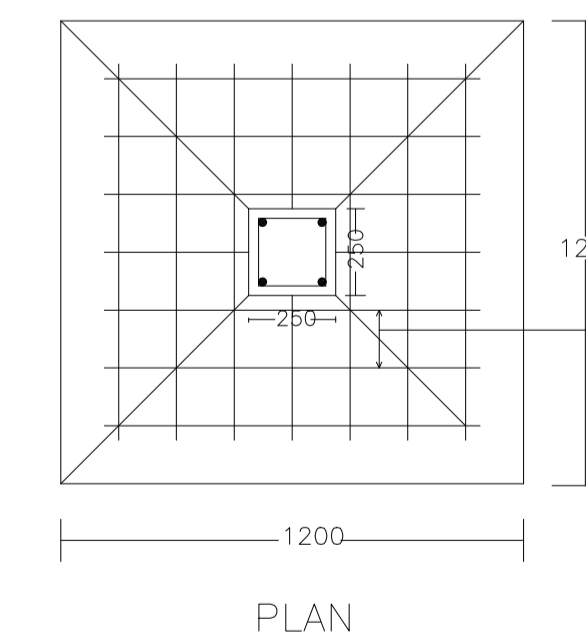
FRONT ELEVATION



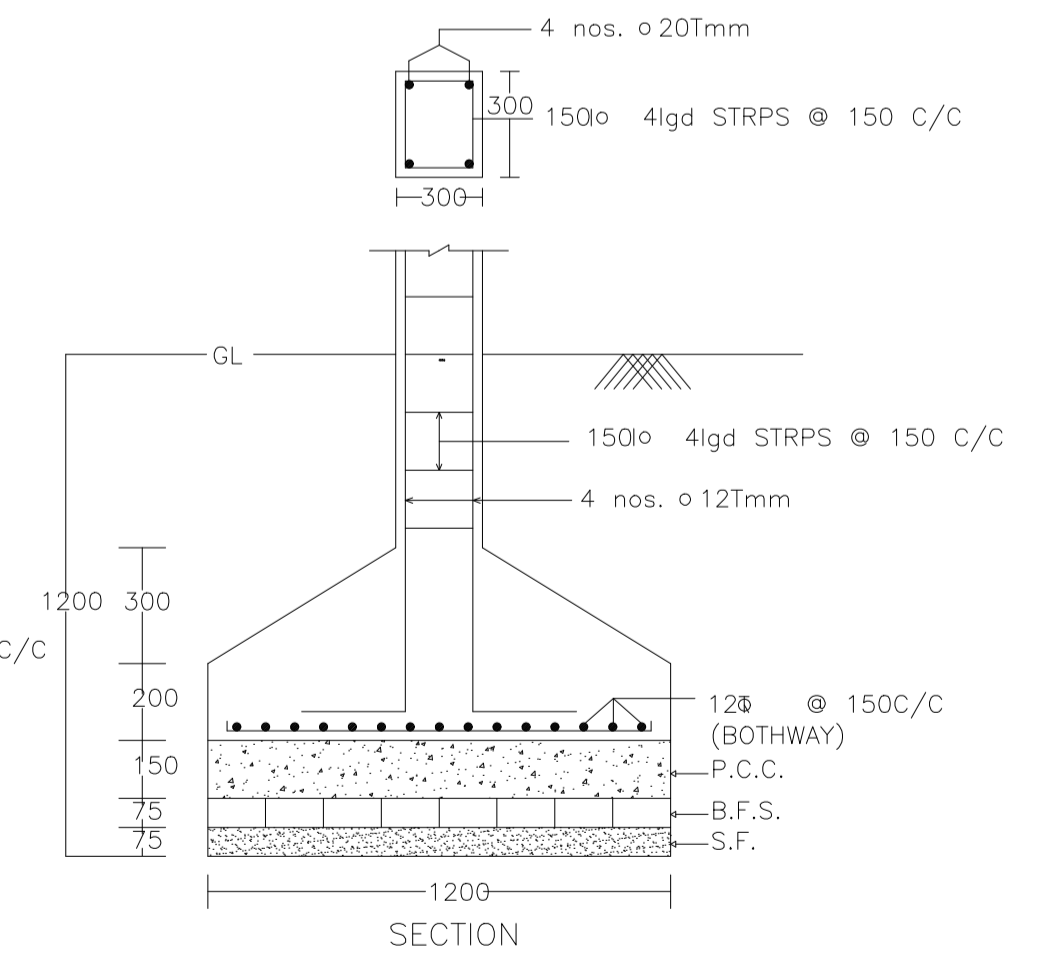
SECTION ON - YY



DETAILS OF SEPTIC TANK



PLAN



SECTION

DETAIL OF COLUMNS

LTP NAME AND SIGNATURE	STRUCTURAL ENG'S NAME AND SIGNATURE	BUILDER NAME AND SIGNATURE	DIGITAL SIGNATURE
AMARENDRA KUMAR MADA/ENG/0008/2019			