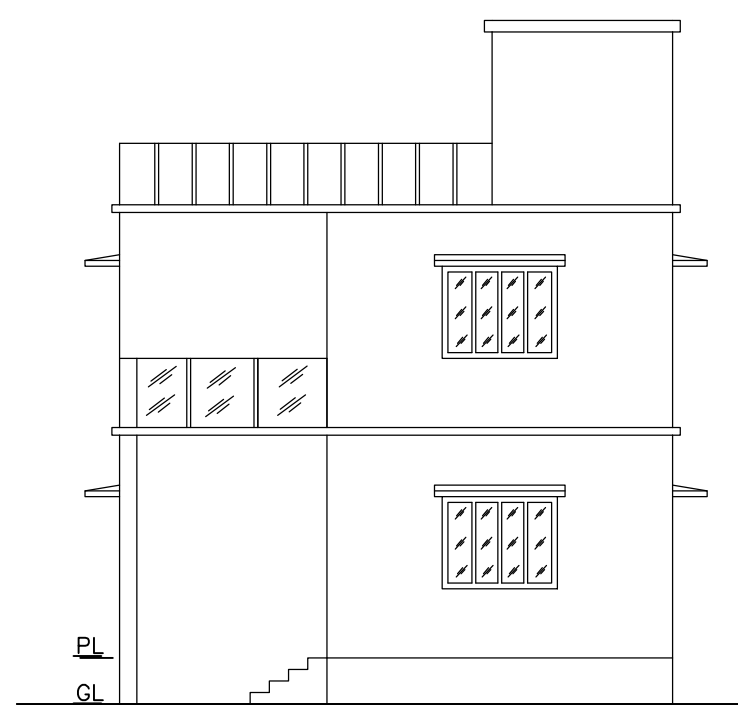
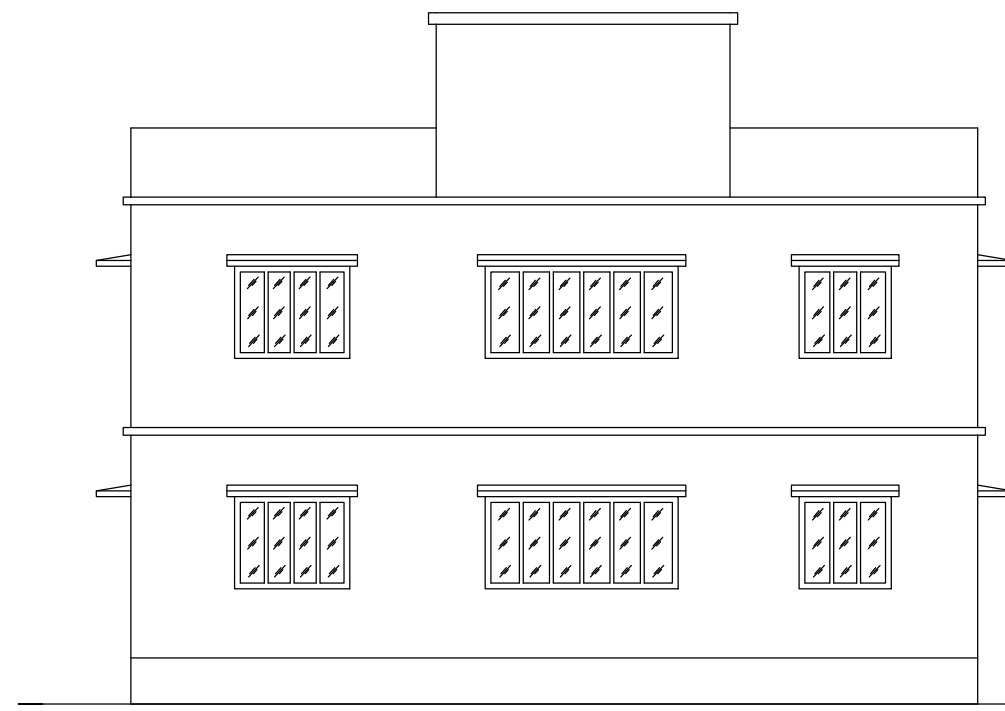


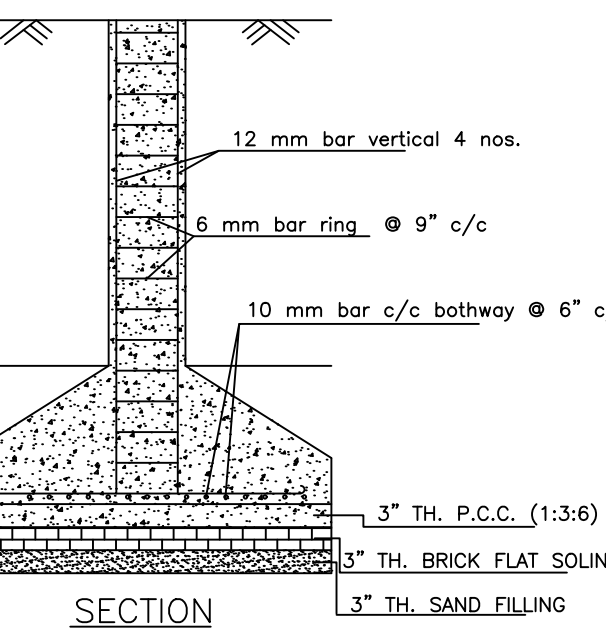
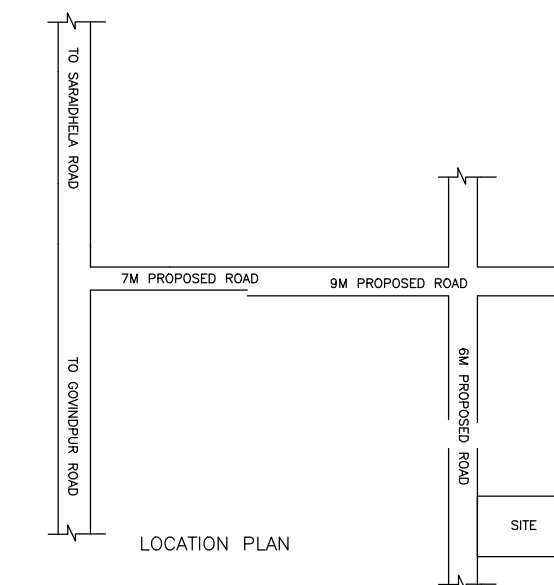
SITE PLAN
SCALE - 1" = 16'-0"



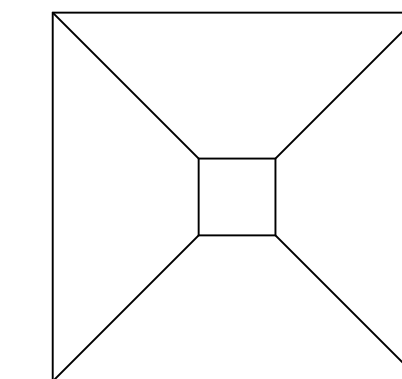
FRONT ELEVATION
SCALE - 1" = 8'-0"



RIGHT SIDE ELEVATION
SCALE - 1" = 8'-0"

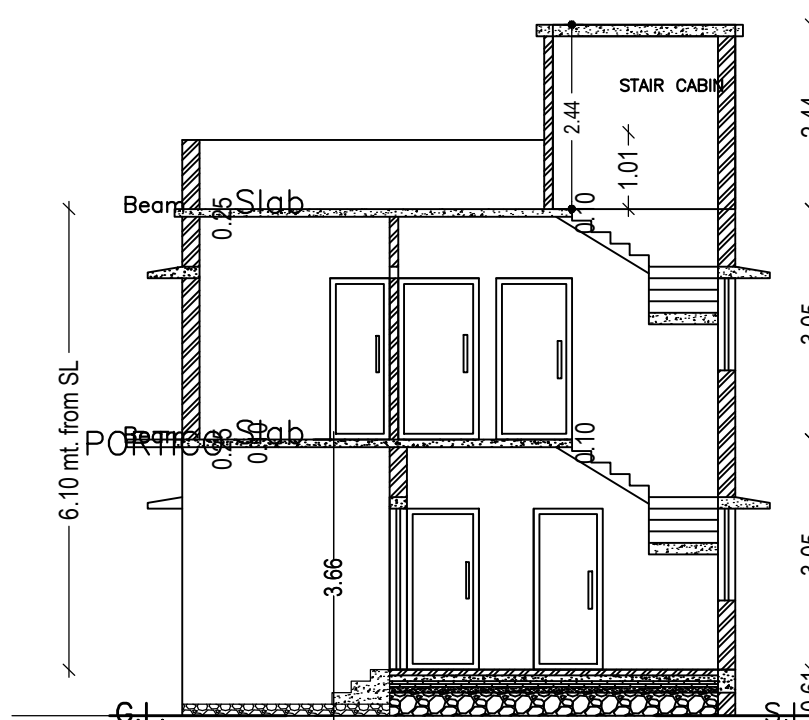


SECTION

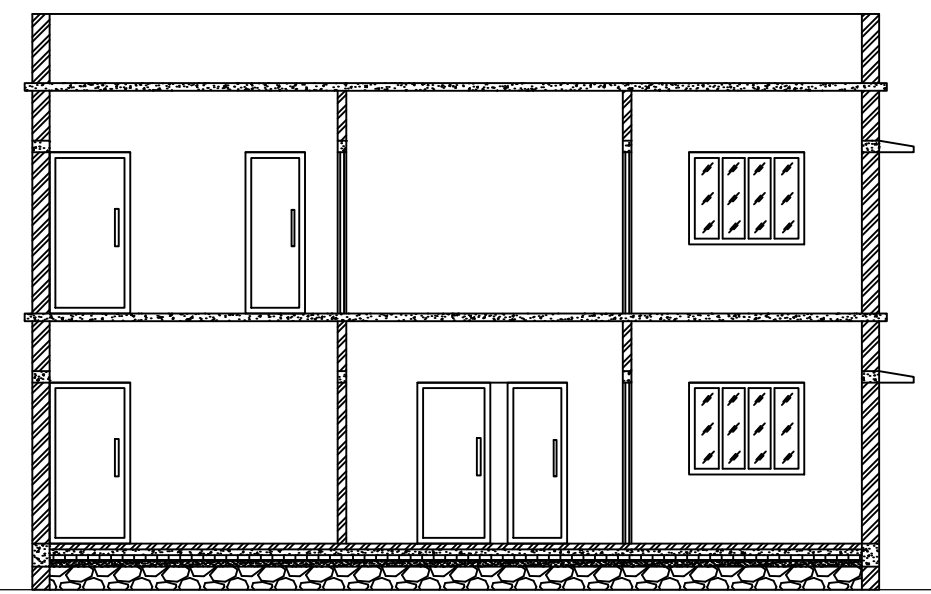


PLAN

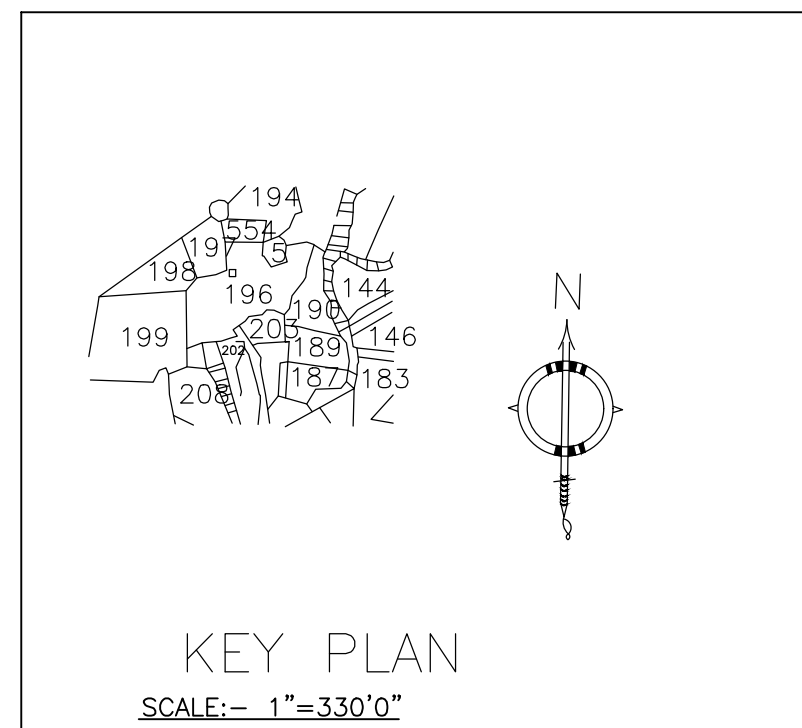
DETAILS OF COLUMN FOUNDATION
SCALE - 1" = 2'-0"



SECTION - XX'
SCALE - 1" = 8'-0"



SECTION - YY'
SCALE - 1" = 8'-0"



KEY PLAN
SCALE:- 1"=330'0"

SCHEDULE OF DOOR:

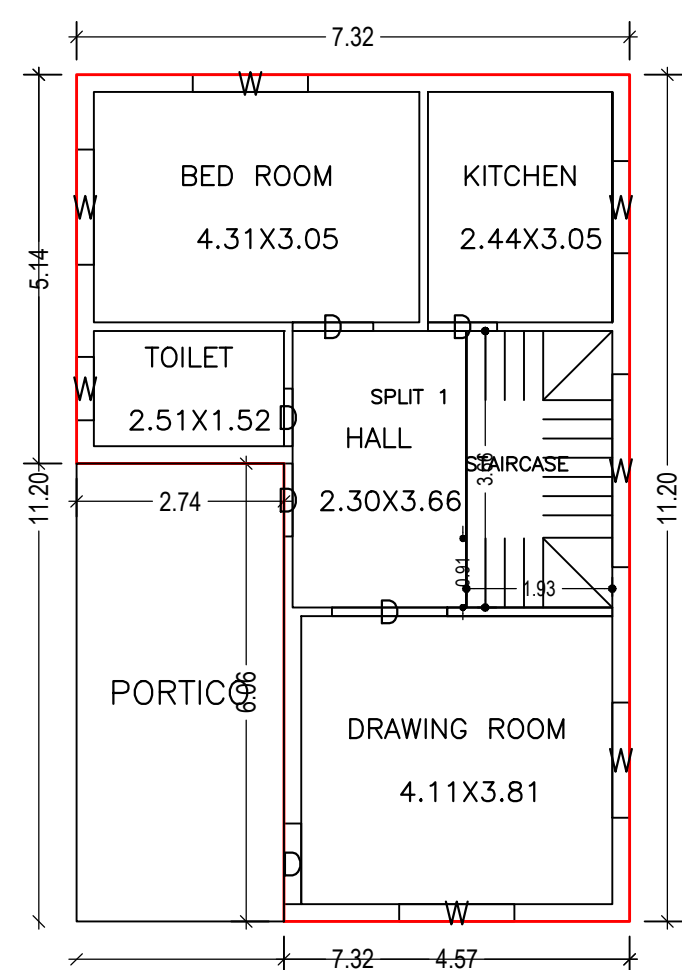
BUILDING NAME	NAME	LENGTH	HEIGHT	NOS
A (NARESH)	D	0.76	2.10	02
A (NARESH)	D	0.79	2.10	01
A (NARESH)	D	0.91	2.10	01
A (NARESH)	D	0.93	2.10	01
A (NARESH)	D	0.97	2.10	01
A (NARESH)	D	1.00	2.10	01
A (NARESH)	D	1.07	2.10	04
A (NARESH)	D	1.52	2.10	01

SCHEDULE OF WINDOW/VENTILATION:

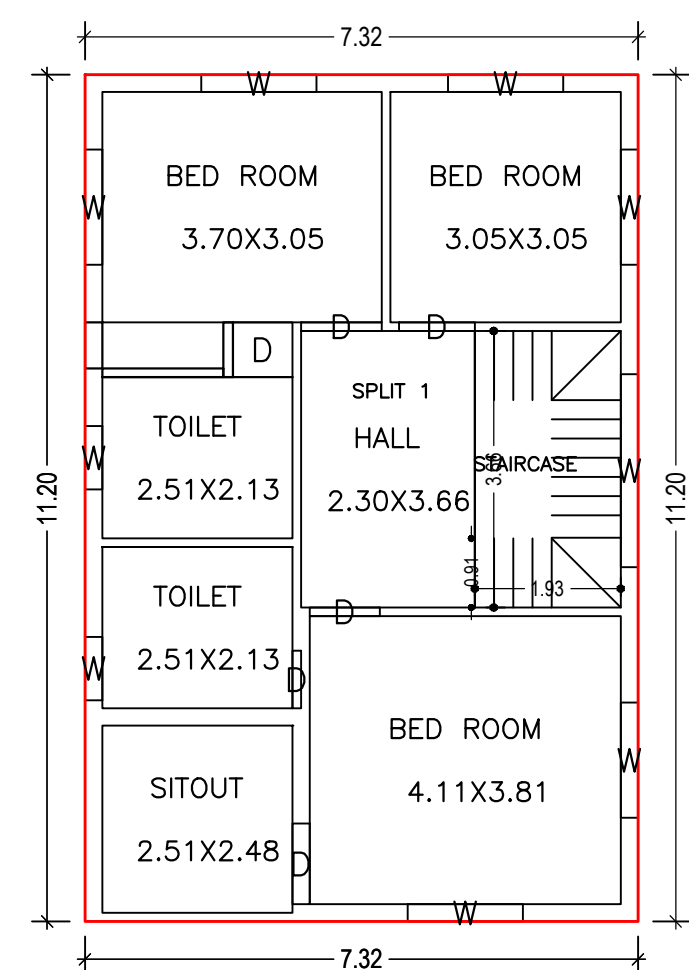
BUILDING NAME	NAME	LENGTH	HEIGHT	NOS
A (NARESH)	W	0.84	1.20	03
A (NARESH)	W	1.22	1.20	01
A (NARESH)	W	1.52	1.20	10
A (NARESH)	W	2.55	1.20	02

Building :A (NARESH)

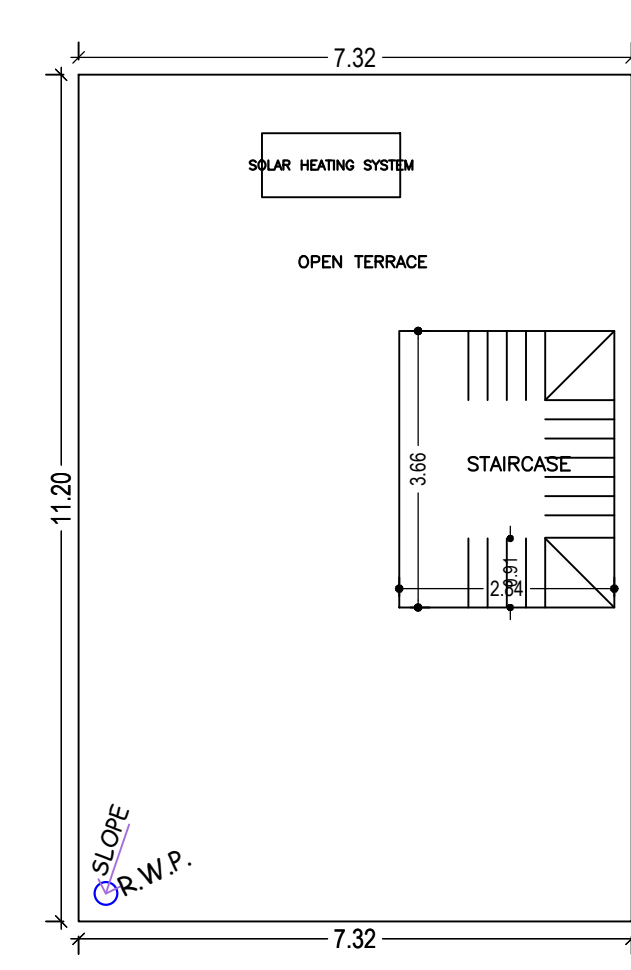
Floor Name	Total Built Up Area (Sq.mt.)	Deductions (Area in Sq.mt.)		Proposed FAR Area (Sq.mt.)	Total FAR Area (Sq.mt.)	Total Consumed Additional FAR Area (Sq.mt.)	Tnmt (No.)
		Archi.Proj.	Resi.				
Ground Floor	81.94	16.62	65.32	65.32	65.32	01	01
First Floor	81.94	0.00	81.94	81.94	81.94	00	00
Terrace Floor	0.00	0.00	0.00	0.00	0.00	00	00
Total :	163.88	16.62	147.26	147.26	147.26	01	01
Total Number of Same Buildings :	1						
Total :	163.88	16.62	147.26	147.26	147.26	01	01



GROUND FLOOR PLAN (Proposed)
(SCALE 1:100)



FIRST FLOOR PLAN (Proposed)
(SCALE 1:100)



TERRACE FLOOR PLAN (SCALE 1:100)

Proposal Basic Information

Proposal File No.	MADA/BP/0021/2021
Owner Name	SRI. NARESH RAM
Khata No	OLD KHATA NO-16,NEW KHATA NO-14
Plot No	OLD PLOT NO. 71, NEW PLOT NO. 196
Village Name	Tilakraydih
Use	Residential
SubUse	Bungalow/ Dwelling / Non Apartment

AREA STATEMENT MINERAL	VERSION NO. : 1.0.54	
AREA DEVELOPMENT AUTHORITY	VERSION DATE: 16/10/2020	
PROJECT DETAIL:		
Region: JHARKHAND URBAN LOCAL BODIES	Plot Use: Residential	
District: DHANBAD	Plot SubUse: Bungalow/ Dwelling / Non Apartment	
Authority: MINERAL AREA DEVELOPMENT AUTHORITY	PlotNearby/ReligiousStructure: NA	
Inward No: MADA/BP/0021/2021	Plot/SubPlot No: OLD PLOT NO. 71, NEW PLOT NO. 196	
Application Type: General Proposal	North: Plot No. - SAME PLOT	
Project Type: Building Permission	South: Plot No. - SAME PLOT	
Nature of Development: New	East: Road Width - 6.1	
Location of Development Area: Old Area	West: Plot No. - SAME PLOT	
AREA DETAILS:		
AREA OF PLOT (Minimum)	(A)	138.97
NET AREA OF PLOT(Gross Plot Area - Deduction from Gross Plot area)	(A-Deductions)	138.97
Deduction for Balance Plot Area(from Gross Plot Area)		
Common Plot		11.76
Total		11.76
BALANCE AREA OF PLOT(Net Plot Area - Recreational/Amenity space)	(A-Deductions)	127.21
PLOT AREA FOR COVERAGE(Net Plot Area)	(A-Deductions)	138.97
Plot Area for FAR (Net Plot Area + Road Widening Area)	(A-Deductions)	138.97
COVERAGE CHECK		
Permissible Coverage area (70.00 %)		97.28
Proposed Coverage Area (47.00 %)		65.32
Total Prop. Coverage Area (47 %)		65.32
Balance coverage area (23.00 %)		31.96
FAR CHECK		
Perm. FAR Area (1.80)		250.15
Total Perm. FAR area		250.15
Residential FAR		147.26
Proposed FAR Area		147.26
Total Proposed FAR Area		147.26
Consumed FAR (Factor)		1.06
Balance FAR Area		102.89
BUILT UP AREA CHECK		
Total Proposed BuiltUp Area		163.88
ARCHITECT (Regd)		RAM PRATAP SINGH
ENGINEER (Regd)		
SUPERVISOR (Regd)		
OWNER (Regd)		SRI. NARESH RAM
DEVELOPMENT AUTHORITY LOCAL BODY		

COLOR INDEX

PLOT BOUNDARY	Black
ABUTTING ROAD	Green
PROPOSED CONSTRUCTION	Red
COMMON PLOT	Yellow
ROAD WIDENING AREA	Blue
EXISTING (To be retained)	Orange
EXISTING (To be demolished)	Grey

Buildingwise Floor FAR Details

Floor Name	Building Name A (NARESH)		Total	
	Proposed Built Up Area (Sq.mt.)	Proposed FAR Area (Sq.mt.)	Total Proposed Built Up Area (Sq.mt.)	Total FAR Area (Sq.mt.)
Ground Floor	81.94	65.32	81.94	65.32
First Floor	81.94	81.94	81.94	81.94
Terrace Floor	0.00	0.00	0.00	0.00
Total :	163.88	147.26	163.88	147.26

Building USE/SUBUSE Details

Building Name	Building Use	Building SubUse	Building Structure
A (NARESH)	Residential	Residential Bldg/Apartment	Non-Highrise

FAR & Tenement Details (Table 4c-1)

Building	No. of Same Bldg	Total Built Up Area (Sq.mt.)	Deductions (Area in Sq.mt.)	Proposed FAR Area (Sq.mt.)	Total FAR Area (Sq.mt.)	Total Consumed Additional FAR Area (Sq.mt.)	Tnmt (No.)
A (NARESH)	1	163.88	16.62	147.26	147.26	147.26	01
Grand Total :	1	163.88	16.62	147.26	147.26	147.26	01

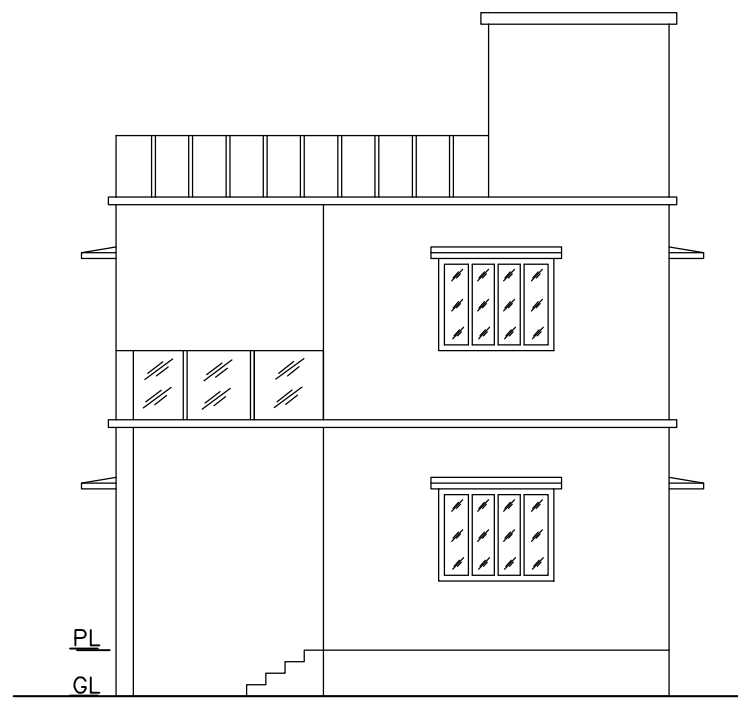
UnitBUA Table for Building :A (NARESH)

FLOOR	Name	UnitBUA Type	UnitBUA Area	Carpet Area	No. of Rooms	No. of Tenement
GROUND FLOOR PLAN	SPLIT 1	FLAT	147.26	146.60	5	1
FIRST FLOOR PLAN	SPLIT 1	FLAT	0.00	0.00	7	0
Total:	-	-	147.26	146.60	12	1

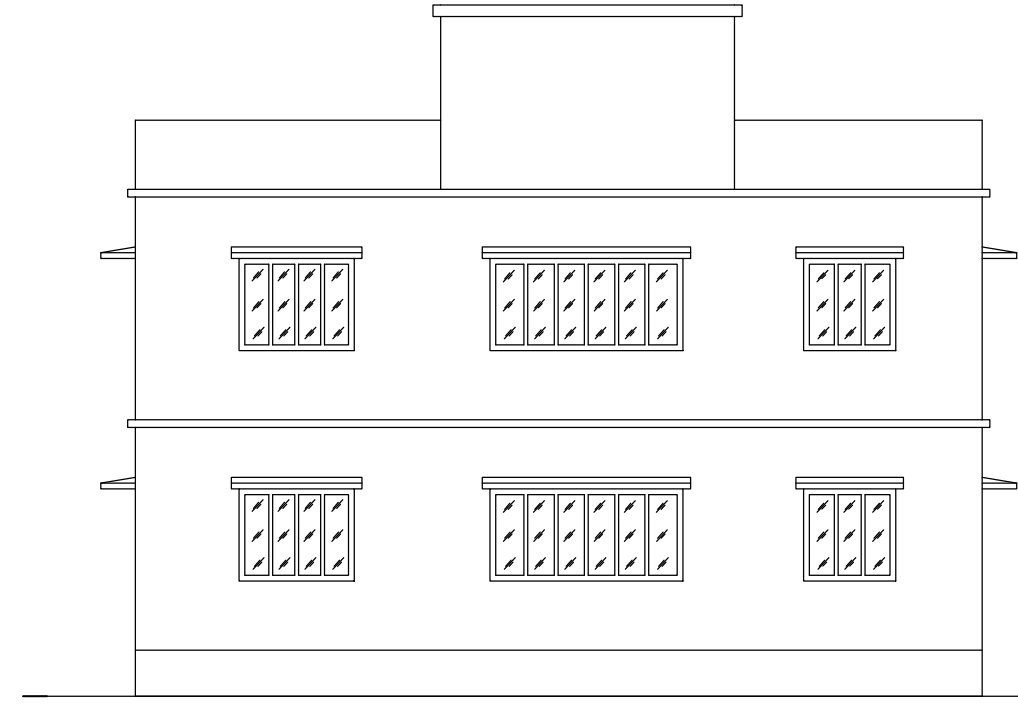
LTP NAME AND SIGNATURE	STRUCTURAL ENG'S NAME AND SIGNATURE	BUILDER NAME AND SIGNATURE	DIGITAL SIGNATURE
RAM PRATAP SINGH MADA/ARC/0024/2019			

Proposal Basic Information

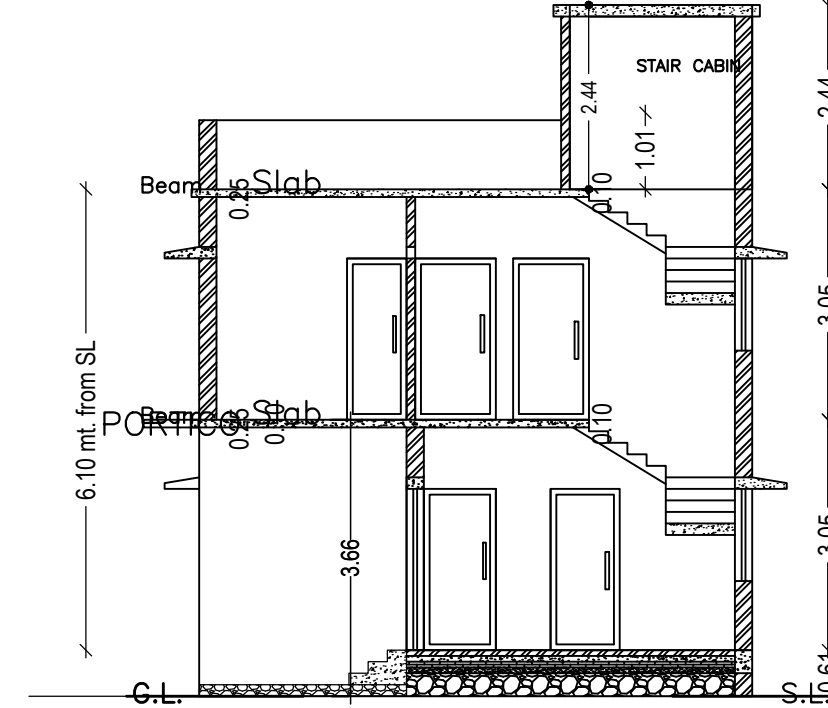
Proposal File No.	MADA/BP/0021/2021
Owner Name	SRI. NARESH RAM
Khata No	OLD KHATA NO-16, NEW KHATA NO-14
Plot No	OLD PLOT NO. 71, NEW PLOT NO. 196
Village Name	Tilakraydih
Use	Residential
SubUse	Bungalow/ Dwelling / Non Apartment



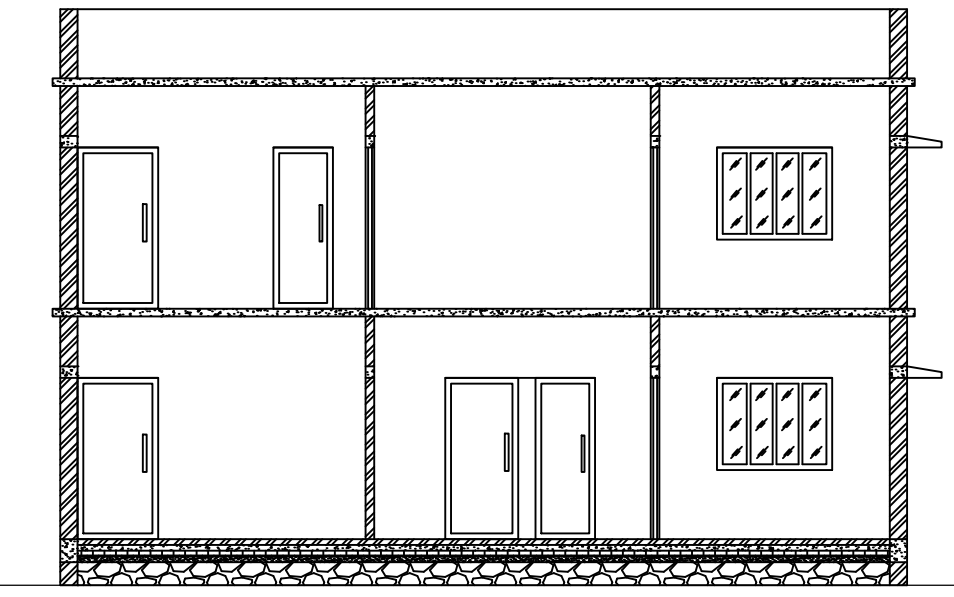
FRONT ELEVATION
SCALE - 1" = 8'-0"



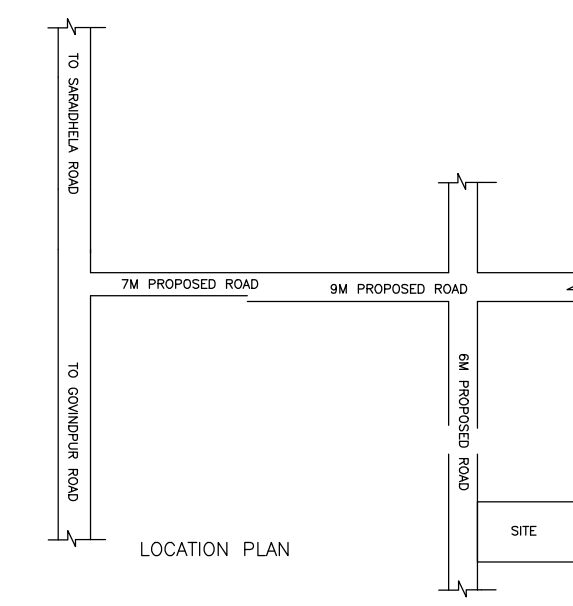
RIGHT SIDE ELEVATION
SCALE - 1" = 8'-0"



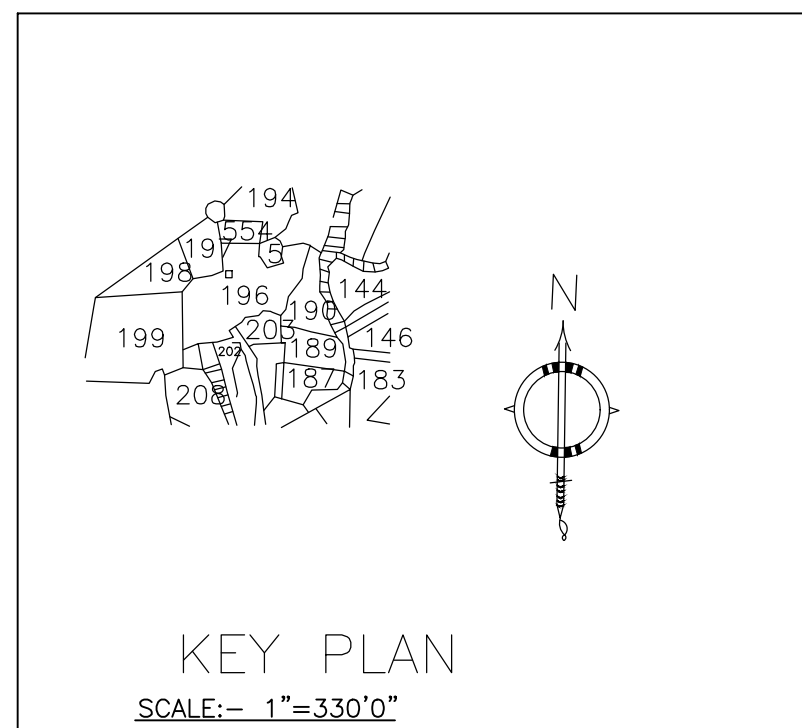
SECTION - XX'
SCALE - 1" = 8'-0"



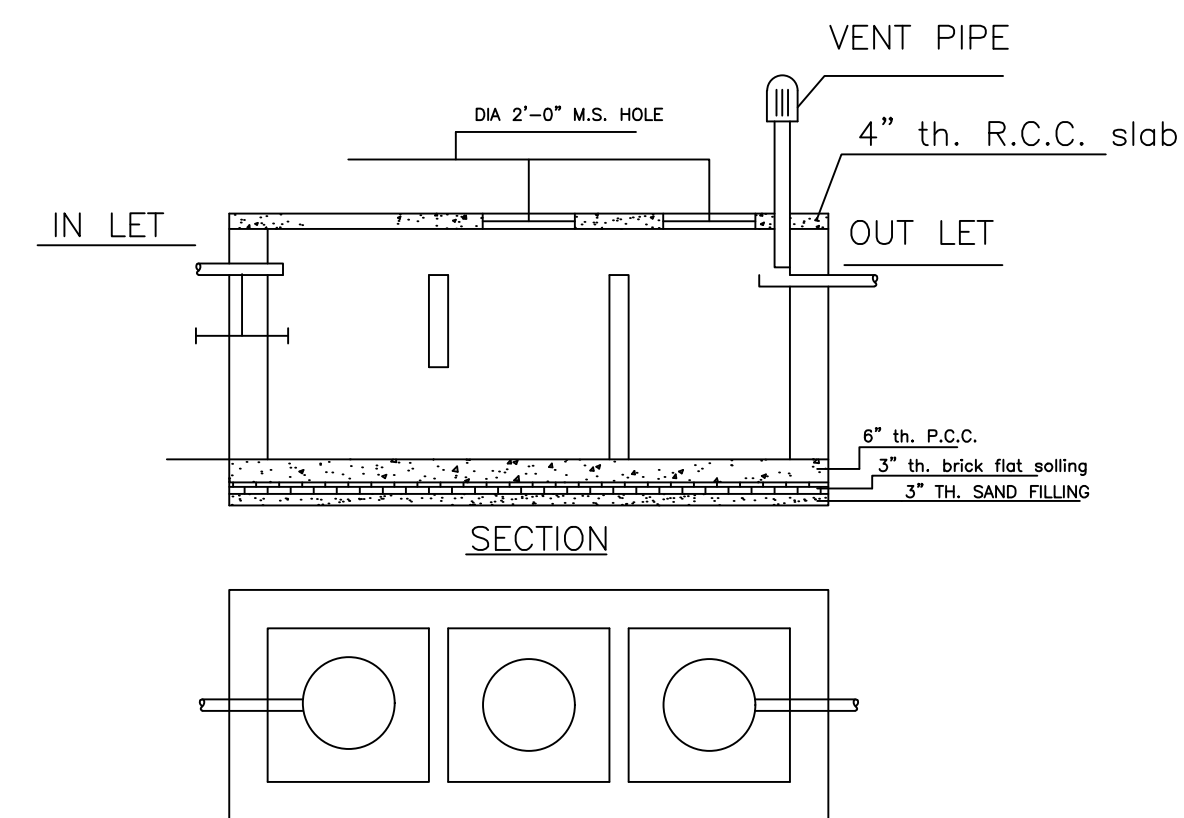
SECTION - YY'
SCALE - 1" = 8'-0"



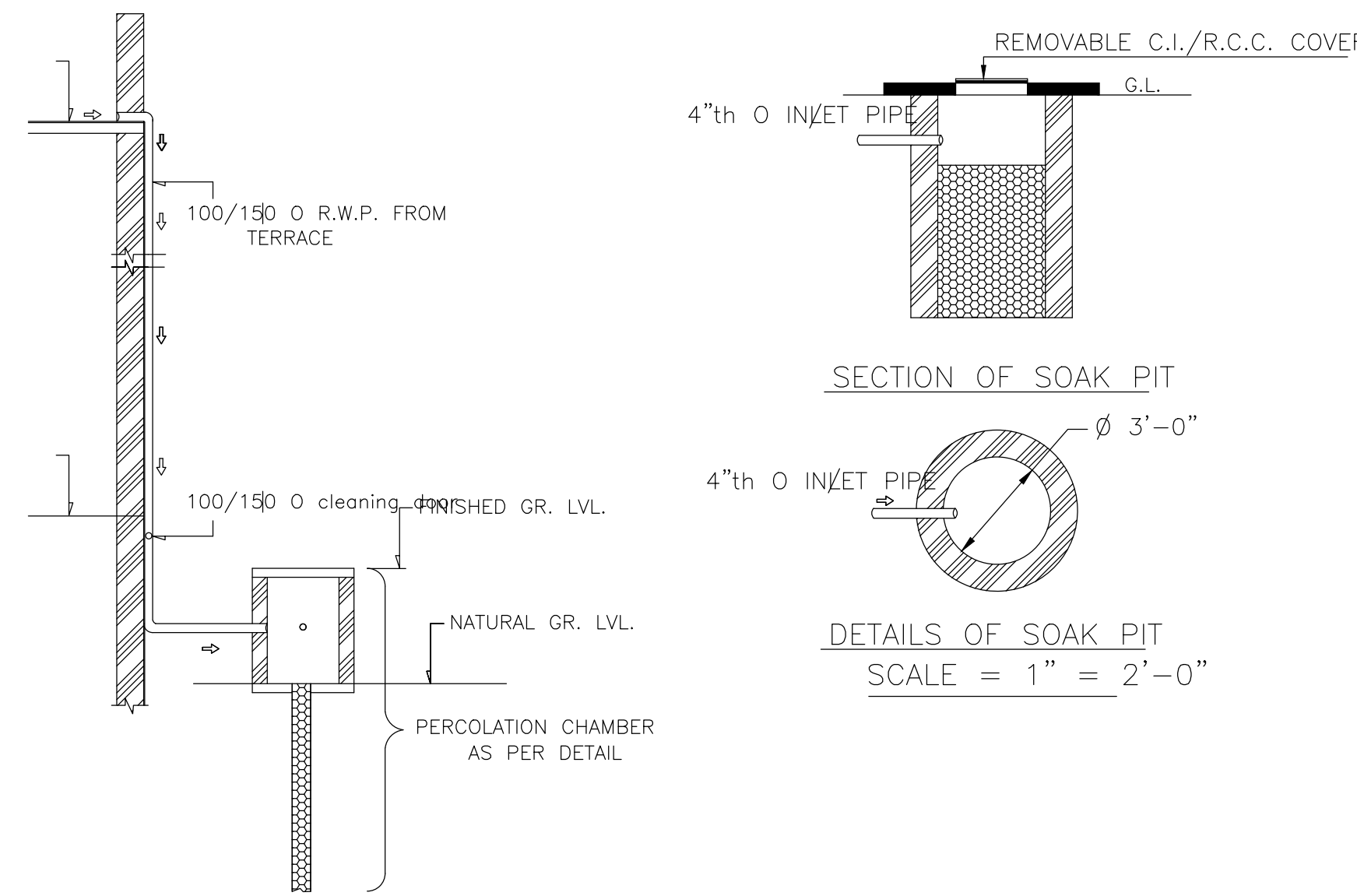
LOCATION PLAN



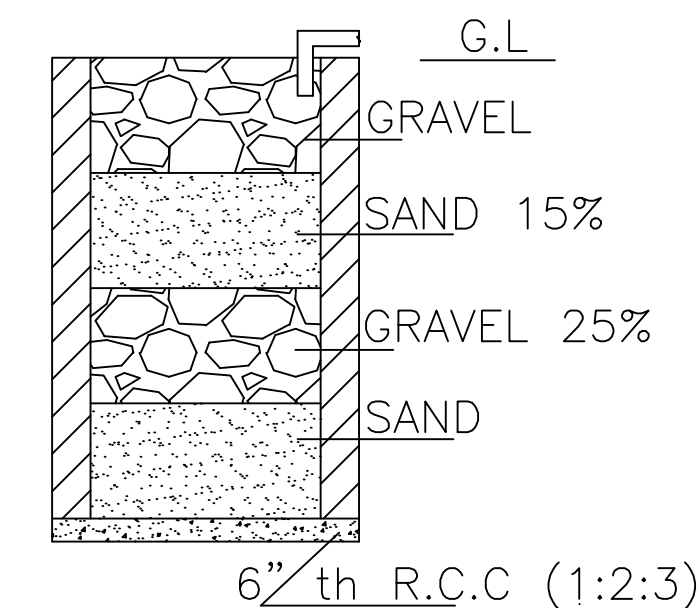
KEY PLAN
SCALE:- 1"=330'0"



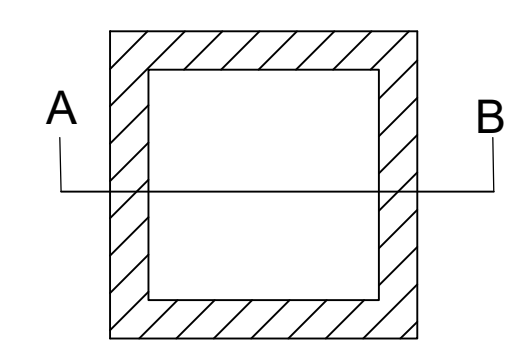
DETAILS OF SEPTIC TANK
SCALE - 1" = 4'-0"



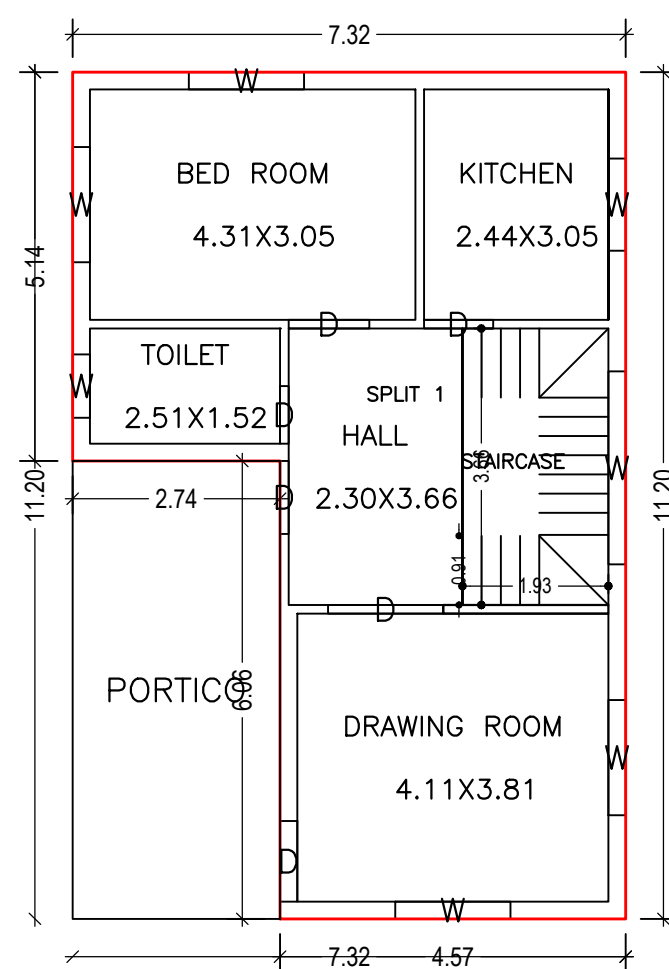
ROOF TOP RAIN WATER COLLECTION SYSTEM
SCALE = 1" = 4'-0"



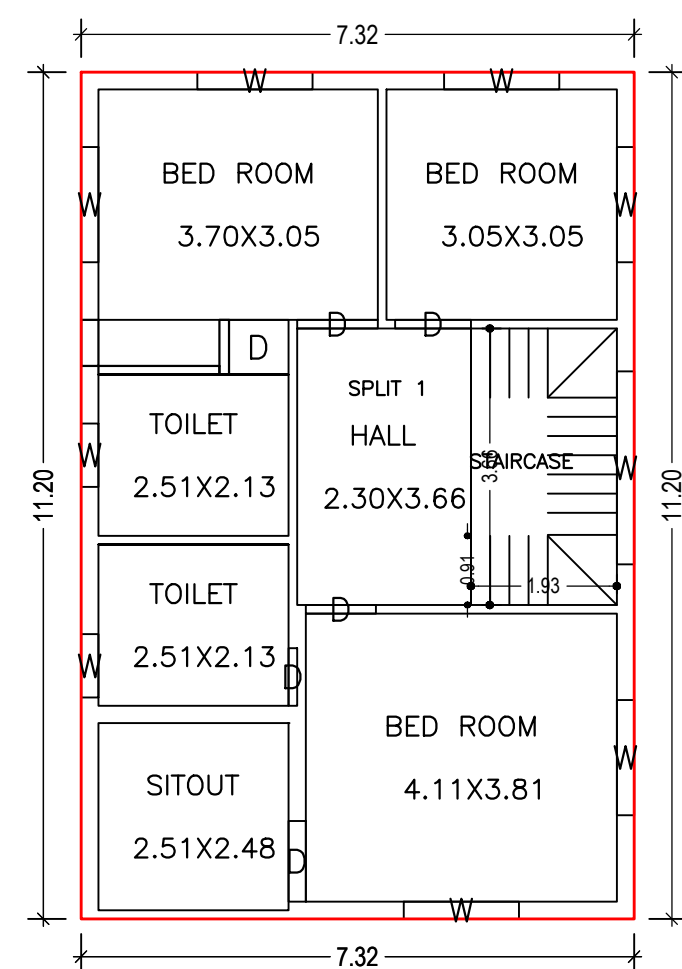
SECTION ON A - B



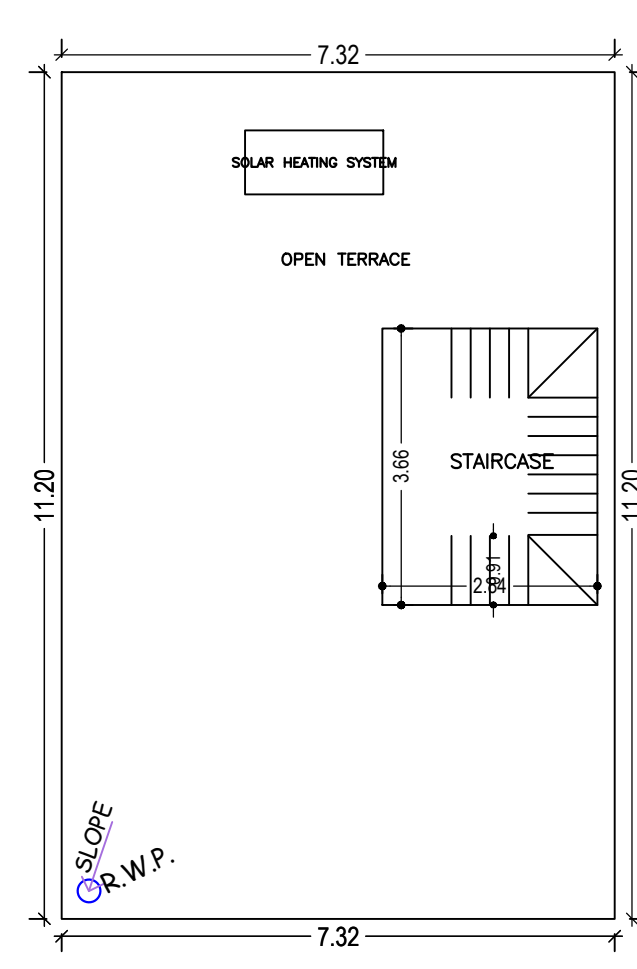
DETAILS DRAWING OF RAIN WATER HARVESTING
SCALE:- 1"=2'-0"



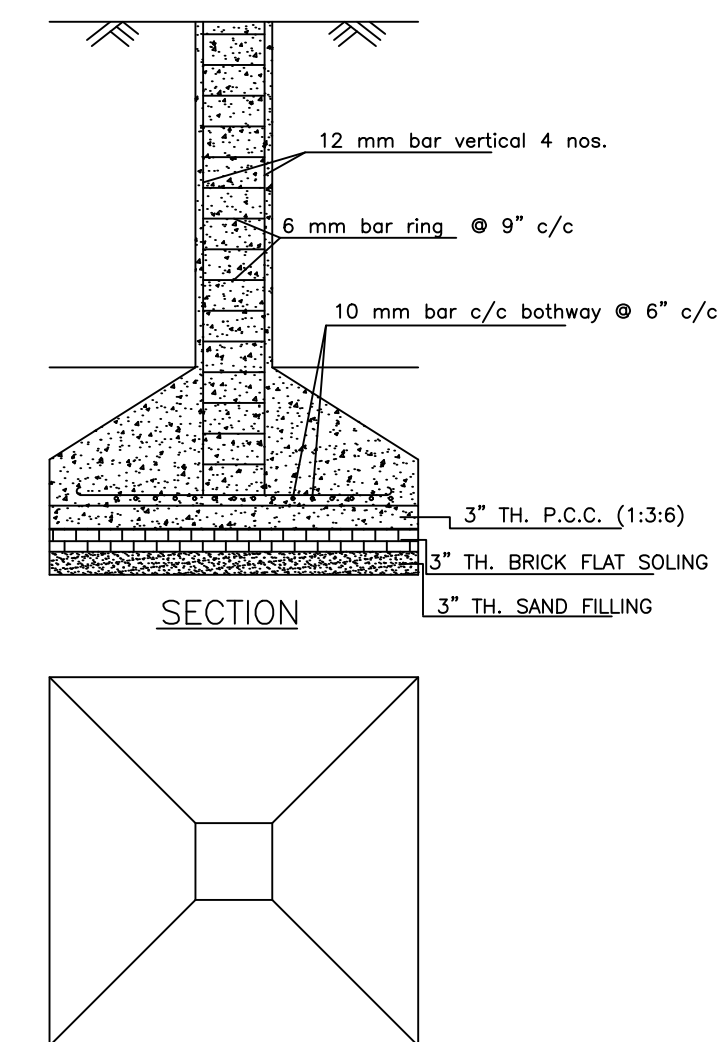
GROUND FLOOR PLAN (Proposed)
SCALE 1:100



FIRST FLOOR PLAN (Proposed)
SCALE 1:100



TERRACE FLOOR PLAN (SCALE 1:100)



PLAN

DETAILS OF COLUMN FOUNDATION
SCALE - 1" = 2'-0"

LTP NAME AND SIGNATURE	STRUCTURAL ENG'S NAME AND SIGNATURE	BUILDER NAME AND SIGNATURE	DIGITAL SIGNATURE
RAM PRATAP SINGH MADA/ARC/0024/2019			