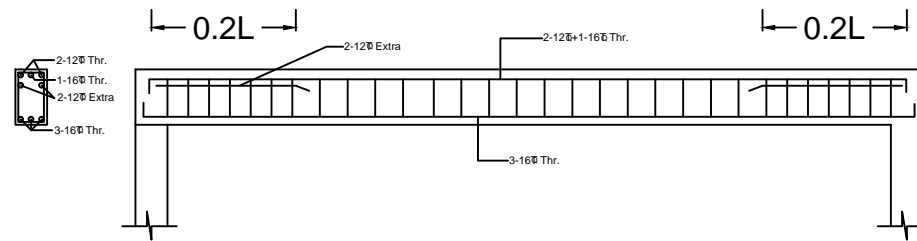


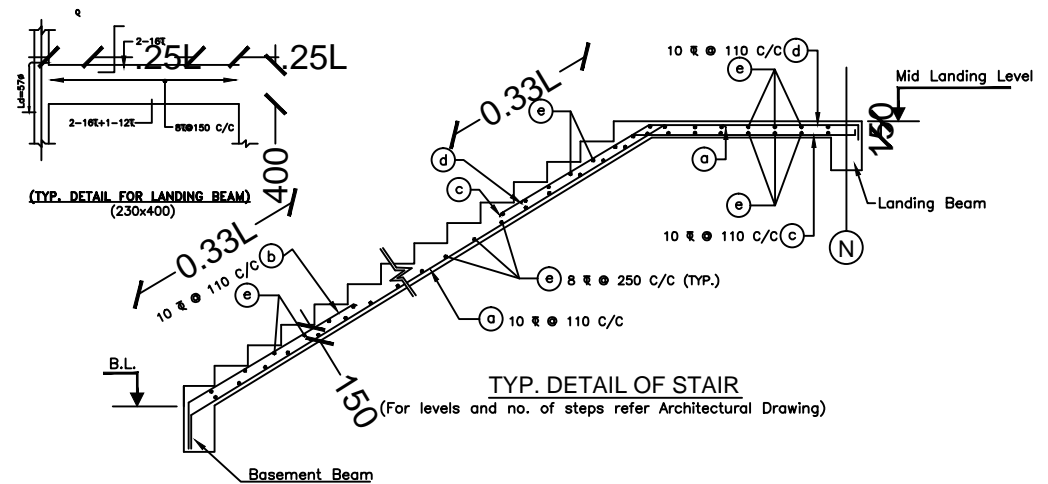
COLUMN DETAILS
SCALE:- 1:50



STRUCTURAL DETAILS OF BEAM

SLAB SCHEDULE (CONC. GRADE M 20)			
THICKNESS OF SLAB = 4.5 * (EXCEPT MENTIONED OTHERWISE)			
SAND SLAB PROVIDED	THK.	AT SMALLER SPAN	AT LARGER SPAN
		alternate created at support	alternate created at support
1	0.15		

TYPICAL REINFORCEMENT DETAILS OF SLAB	



TYP. DETAIL OF STAIR
(For levels and no. of steps refer Architectural Drawing)