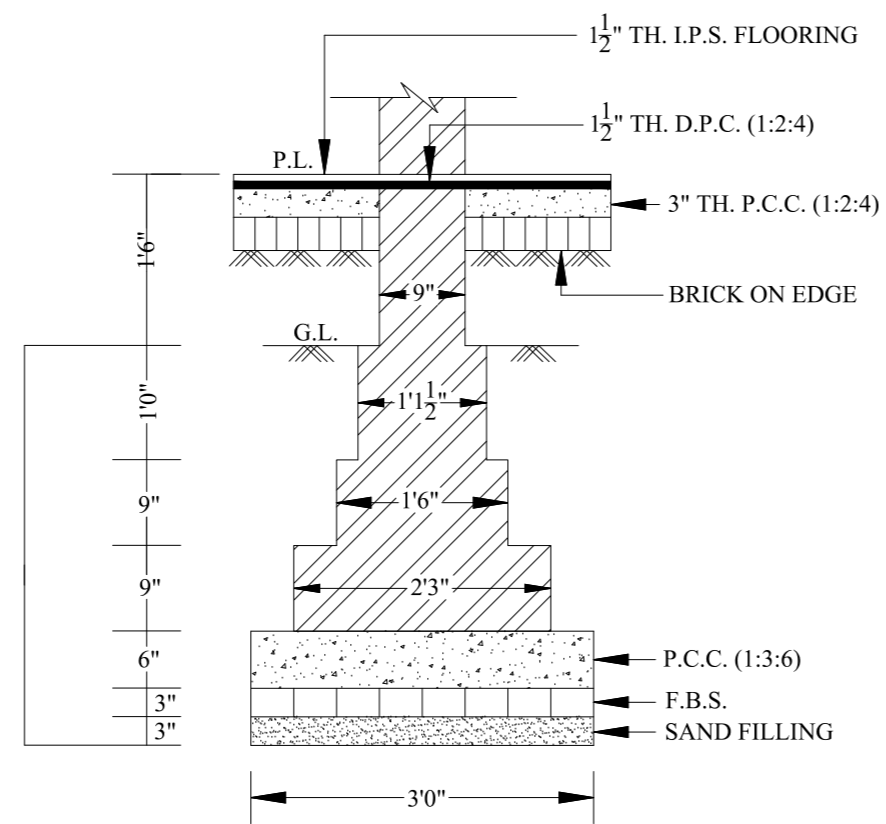
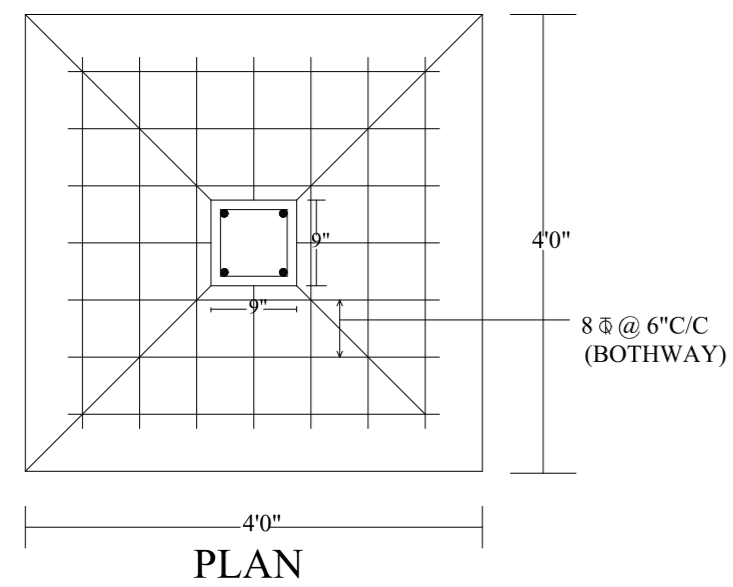
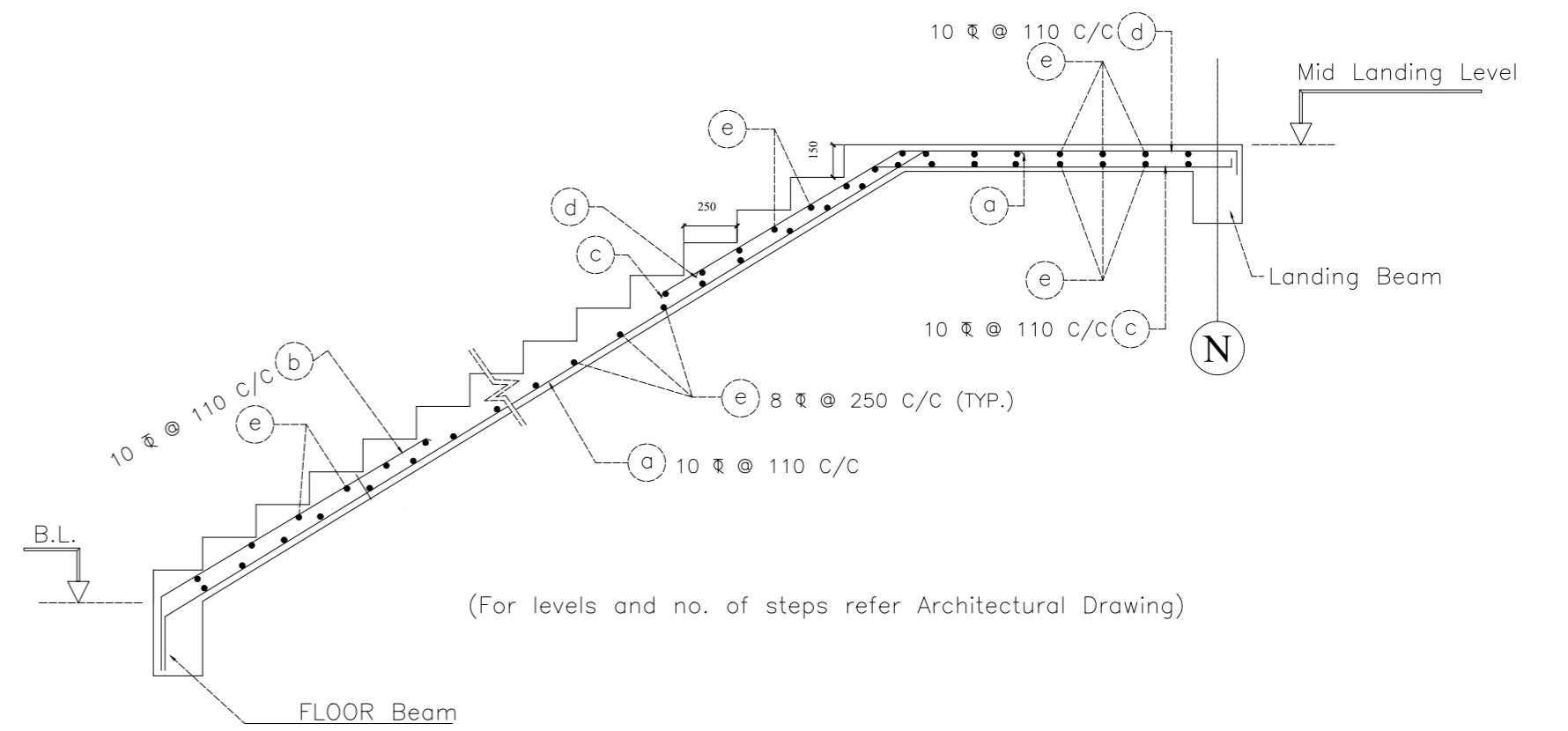


SECTION
DETAIL OF COLUMNS



-:DETAIL OF BRICK FOUNDATION:-

SCALE:- 1" = 2' - 0"



TYP. DETAIL OF STAIR