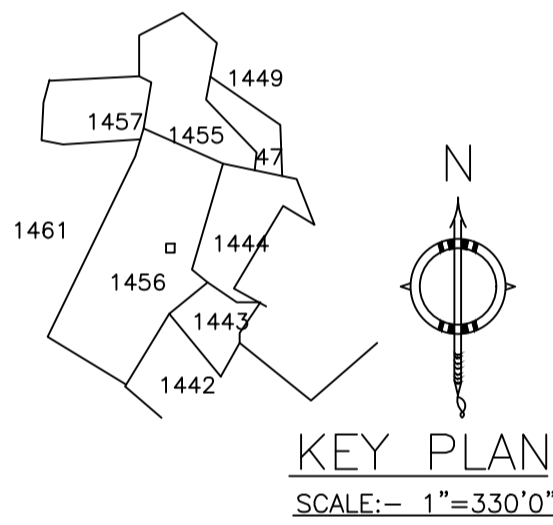
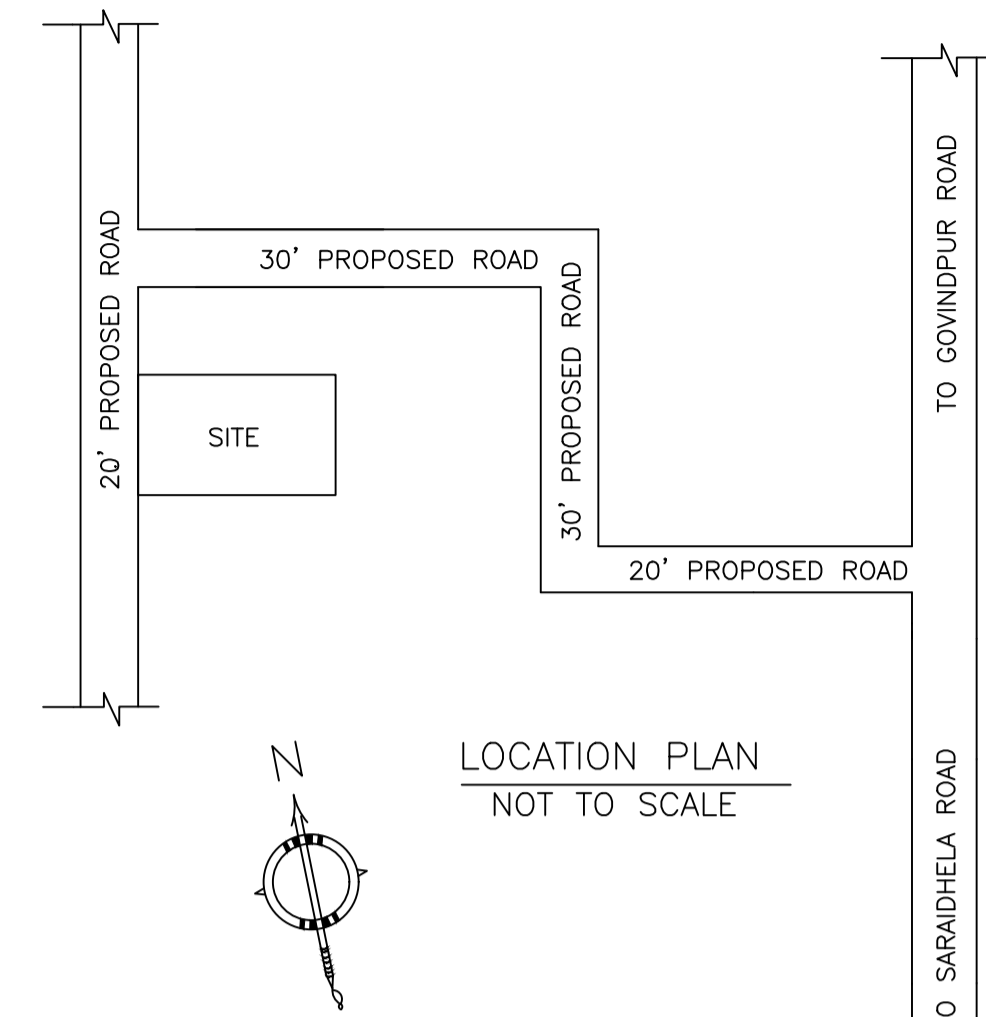


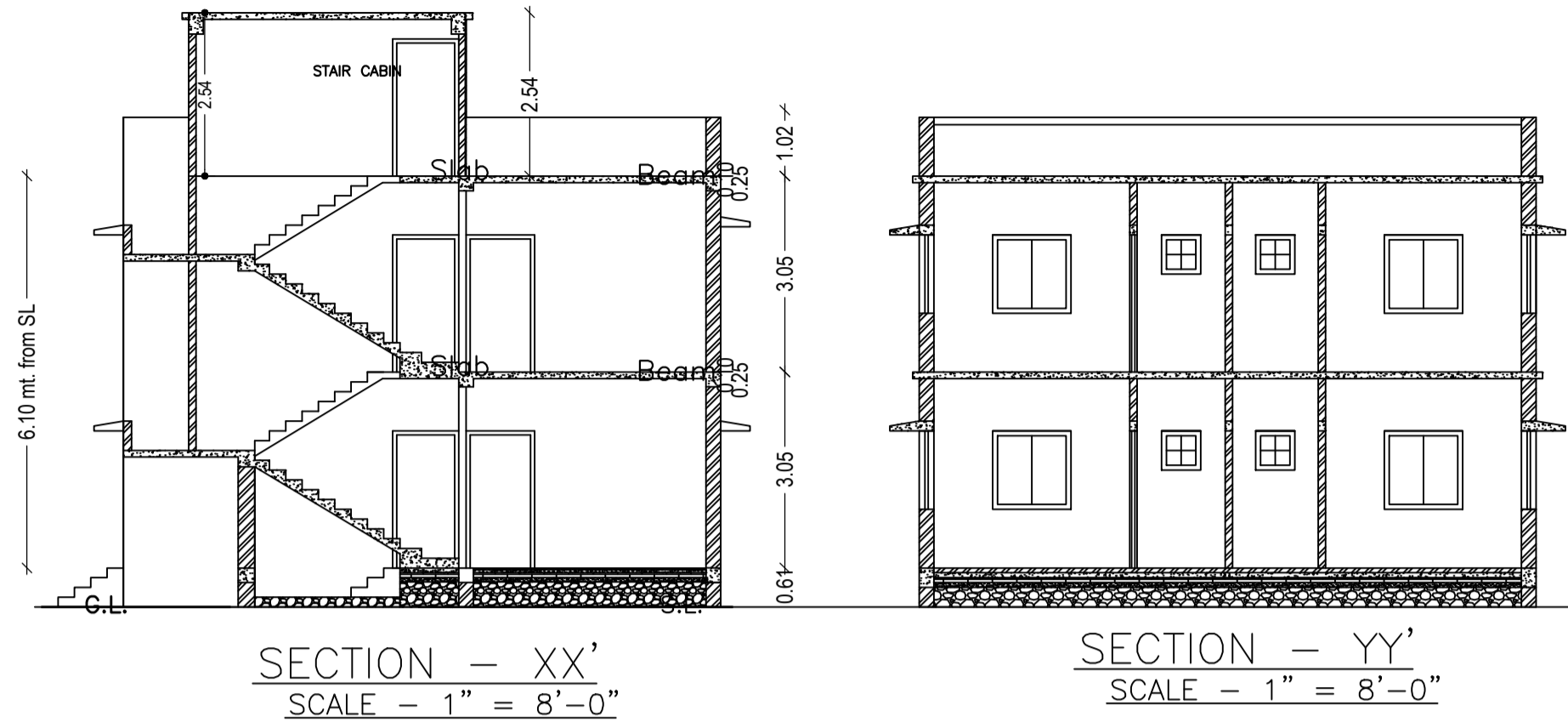
SITE PLAN
SCALE - 1" = 16'-0"



KEY PLAN
SCALE:- 1"=330'-0"

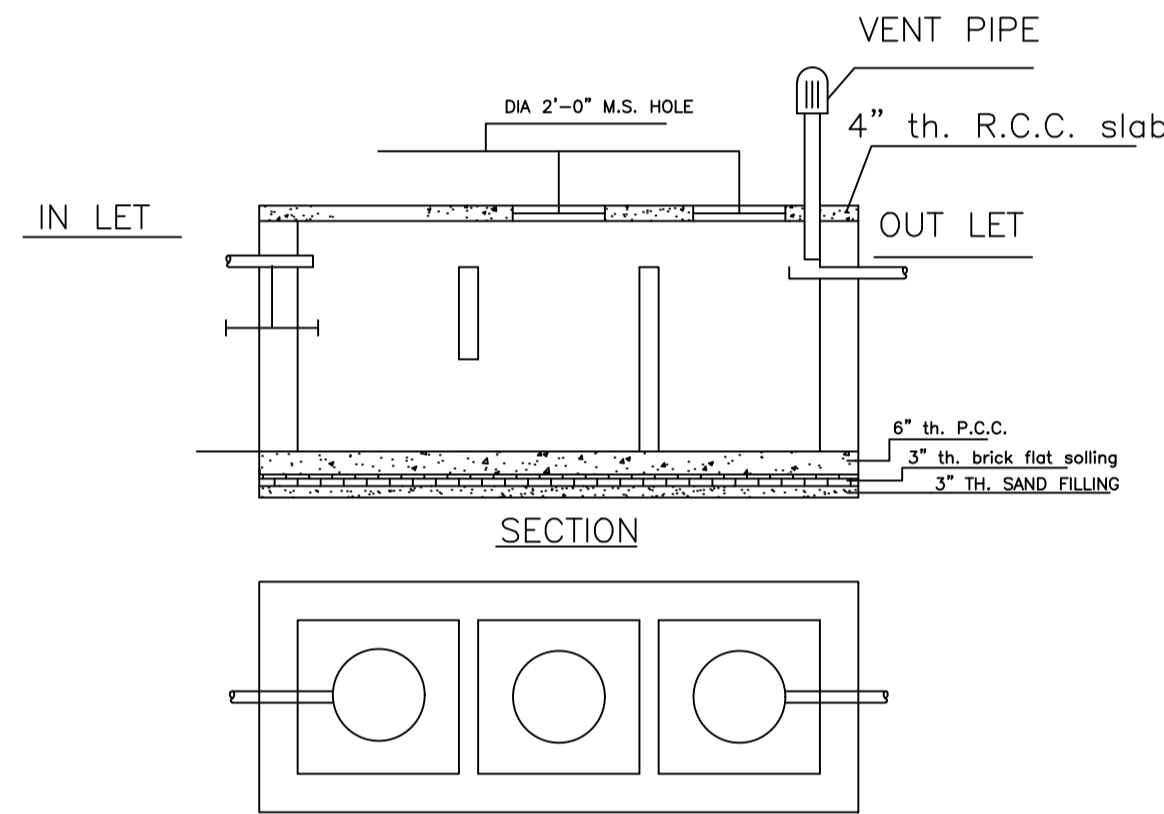


LOCATION PLAN
NOT TO SCALE

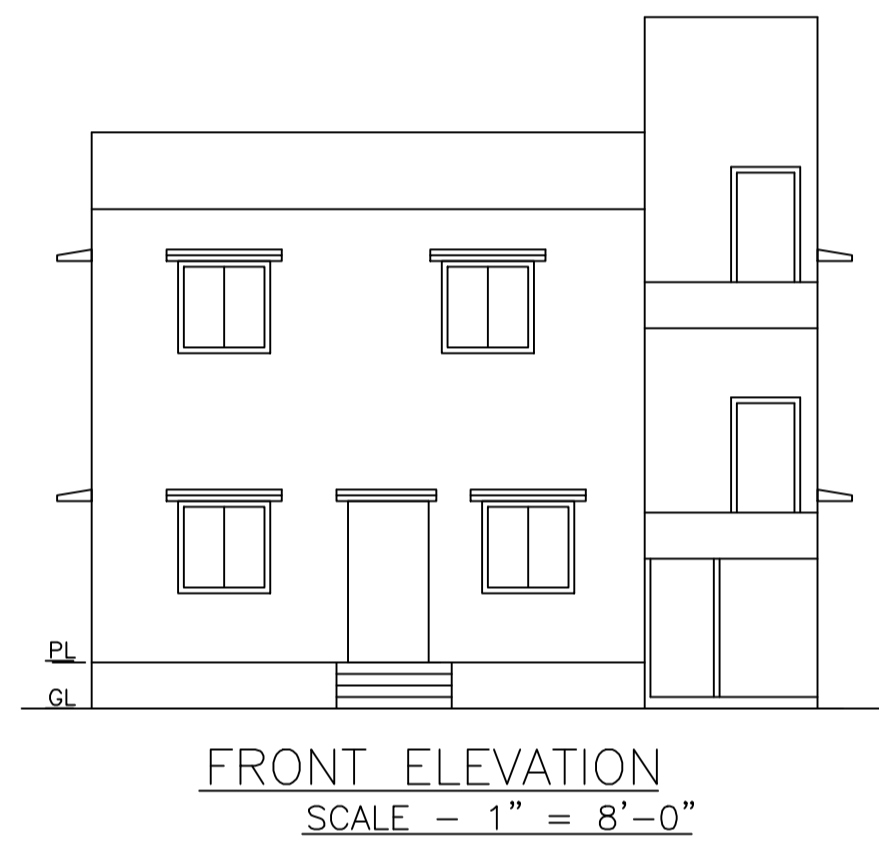


SECTION - XX'
SCALE - 1" = 8'-0"

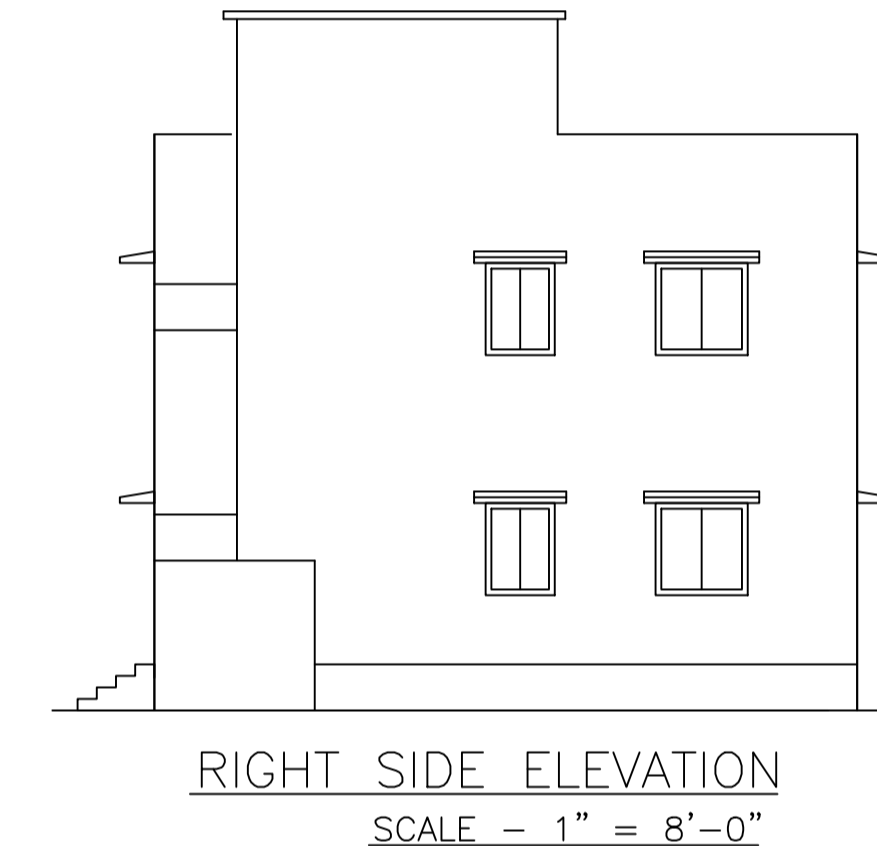
SECTION - YY'
SCALE - 1" = 8'-0"



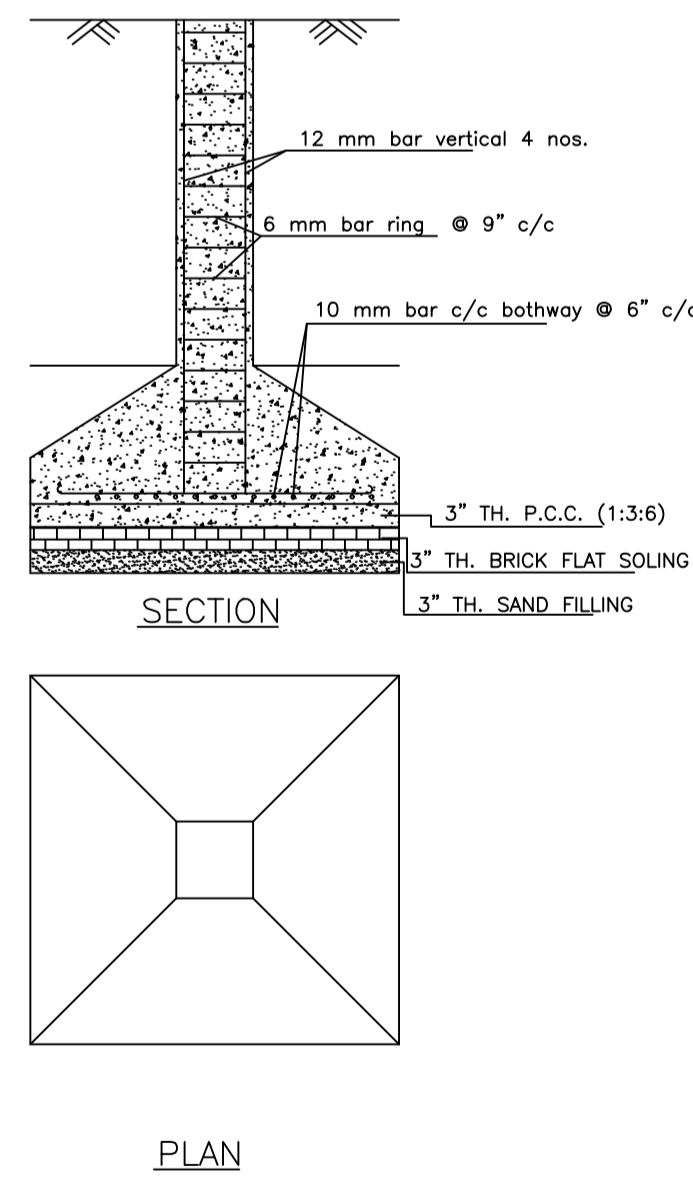
DETAILS OF SEPTIC TANK
SCALE - 1" = 4'-0"



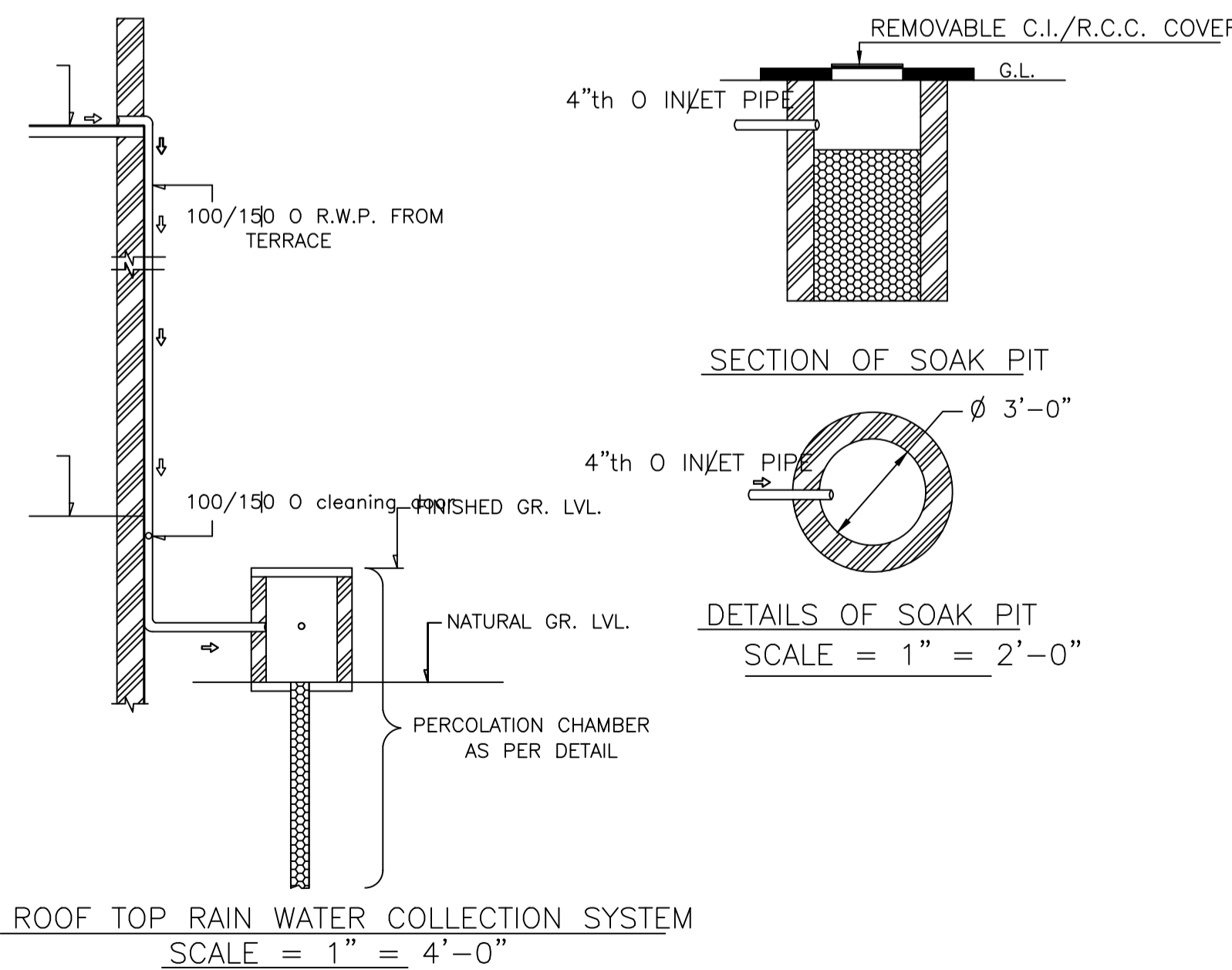
FRONT ELEVATION
SCALE - 1" = 8'-0"



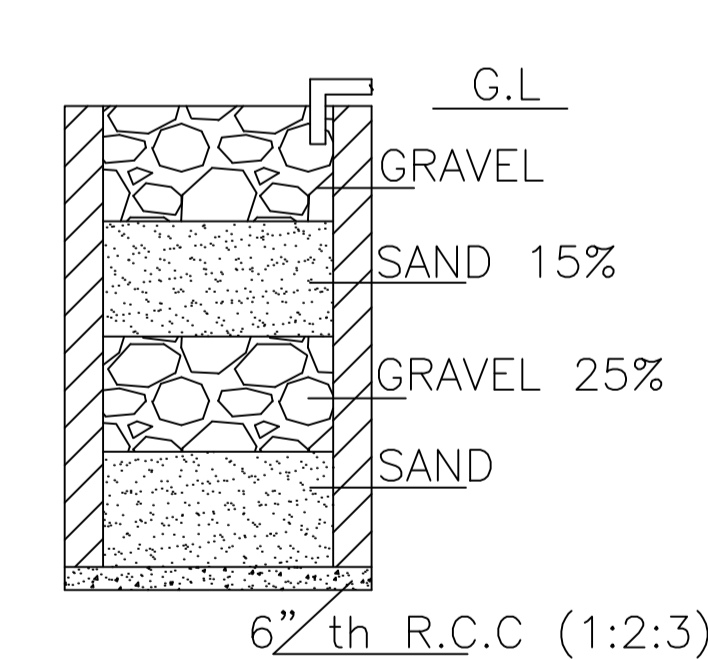
RIGHT SIDE ELEVATION
SCALE - 1" = 8'-0"



DETAILS OF COLUMN FOUNDATION
SCALE - 1" = 2'-0"



ROOF TOP RAIN WATER COLLECTION SYSTEM
SCALE = 1" = 4'-0"



SECTION ON A - B

DETAILS DRAWING OF RAIN WATER HARVESTING
SCALE:- 1"=2'-0"

Proposal Basic Information

Proposal File No.	MADA/BP/0179/2021
Owner Name	SMT. PUTUL DEVI
Khata No	OLD KHATA NO-69,NEW KHATA NO-134
Plot No	OLD PLOT NO. 518, NEW PLOT NO. 1456
Village Name	Jialgora
Use	Residential
SubUse	Bungalow/ Dwelling / Non Apartment

AREA STATEMENT MINERAL	VERSION NO.: 1.0.60	SQ.MT.
AREA DEVELOPMENT AUTHORITY	VERSION DATE: 16/10/2020	
PROJECT DETAIL:		
Region: JHARKHAND URBAN LOCAL BODIES	Plot Use: Residential	
District: DHANBAD	Plot SubUse: Bungalow/ Dwelling / Non Apartment	
Authority: MINERAL AREA DEVELOPMENT AUTHORITY	PlotNearby/ReligiousStructure: NA	
Inward No: MADA/BP/0179/2021	Plot/SubPlot No: OLD PLOT NO. 518, NEW PLOT NO. 1456	
Application Type: General Proposal	North: Plot No. - SAME PLOT	
Project Type: Building Permission	South: Plot No. - SAME PLOT	
Nature of Development: New	East: Plot No. - SAME PLOT	
Location of Development Area: Old Area	West: Road Width - 6.10	
AREA DETAILS:		
AREA OF PLOT (Minimum)	(A)	149.77
NET AREA OF PLOT(Gross Plot Area - Deduction from Gross Plot area)	(A-Deductions)	149.77
Deduction for Balance Plot Area(from Gross Plot Area)		
Common Plot		15.05
Total		15.05
BALANCE AREA OF PLOT(Net Plot Area - Recreational/Amenity space)	(A-Deductions)	134.72
PLOT AREA FOR COVERAGE(Net Plot Area)	(A-Deductions)	149.77
Plot Area for FAR (Net Plot Area + Road/Widening Area)	(A-Deductions)	149.77
COVERAGE CHECK		
Permissible Coverage area (70.00 %)		104.84
Proposed Coverage Area (59.60 %)		89.26
Total Prop. Coverage Area (59.6 %)		89.26
Balance coverage area (10.40 %)		15.58
FAR CHECK		
Perm. FAR Area (2.50)		374.43
Total Perm. FAR area		374.43
Residential FAR		178.51
Proposed FAR Area		178.51
Total Proposed FAR Area		178.51
Consumed FAR (Factor)		1.19
Balance FAR Area		195.92
BUILT UP AREA CHECK		
Total Proposed BuiltUp Area		178.52
ARCHITECT (Regd)	RAM PRATAP SINGH	
ENGINEER (Regd)		
SUPERVISOR (Regd)		
OWNER (Regd)	SMT. PUTUL DEVI	
DEVELOPMENT AUTHORITY		LOCAL BODY

COLOR INDEX	
PLOT BOUNDARY	Black
ABUTTING ROAD	Green
PROPOSED CONSTRUCTION	Red
COMMON PLOT	Yellow
ROAD WIDENING AREA	Blue
EXISTING (To be retained)	Orange
EXISTING (To be demolished)	Light Blue

Buildingwise Floor FAR Details

Floor Name	Building Name A (PUTUL DEVI)		Total	
	Proposed Built Up Area (Sq.mt.)	Proposed FAR Area (Sq.mt.)	Total Proposed Built Up Area (Sq.mt.)	Total FAR Area (Sq.mt.)
Ground Floor	89.26	89.26	89.26	89.26
First Floor	89.26	89.26	89.26	89.26
Terrace Floor	0.00	0.00	0.00	0.00
Total :	178.52	178.52	178.52	178.52

Building USE/SUBUSE Details

Building Name	Building Use	Building SubUse	Building Structure
A (PUTUL DEVI)	Residential	Bungalow/ Dwelling / Non Apartment	Non-Highrise

FAR & Tenement Details (Table 4c-1)

Building	No. of Same Bldg	Total Built Up Area (Sq.mt.)	Proposed FAR Area (Sq.mt.)	Total FAR Area (Sq.mt.)	Total Consumed Additional FAR Area (Sq.mt.)	Tnmt (No.)
A (PUTUL DEVI)	1	178.52	178.52	178.52	178.52	01
Grand Total :	1	178.52	178.52	178.52	178.52	01

UnitBUA Table for Building :A (PUTUL DEVI)

FLOOR	Name	UnitBUA Type	UnitBUA Area	Carpet Area	No. of Rooms	No. of Tenement
GROUND FLOOR PLAN	SPLIT 1	FLAT	178.51	178.01	8	1
FIRST FLOOR PLAN	SPLIT 1	FLAT	0.00	0.00	8	0
Total:	-	-	178.51	178.01	16	1

SCHEDULE OF DOOR:

BUILDING NAME	NAME	LENGTH	HEIGHT	NOS
A (PUTUL DEVI)	D	0.84	2.10	04
A (PUTUL DEVI)	D	0.91	2.10	03
A (PUTUL DEVI)	D	1.07	2.10	09
A (PUTUL DEVI)	D	2.29	2.10	01

SCHEDULE OF WINDOW/VENTILATION:

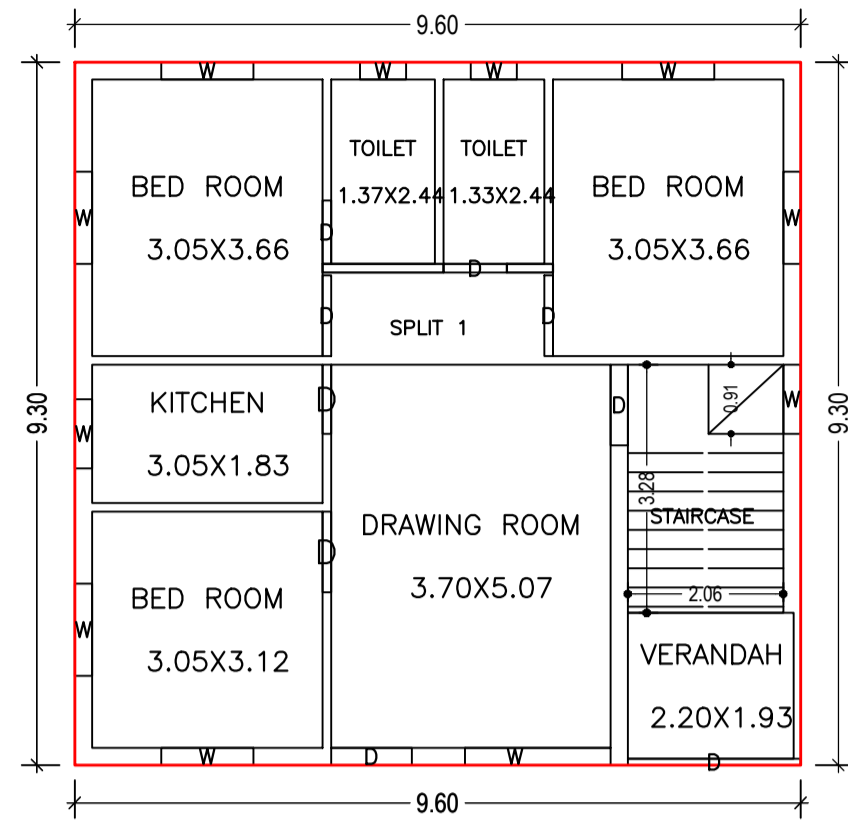
BUILDING NAME	NAME	LENGTH	HEIGHT	NOS
A (PUTUL DEVI)	W	0.61	1.20	04
A (PUTUL DEVI)	W	0.91	1.20	04
A (PUTUL DEVI)	W	1.22	1.20	12
A (PUTUL DEVI)	W	1.92	1.20	02

Building :A (PUTUL DEVI)

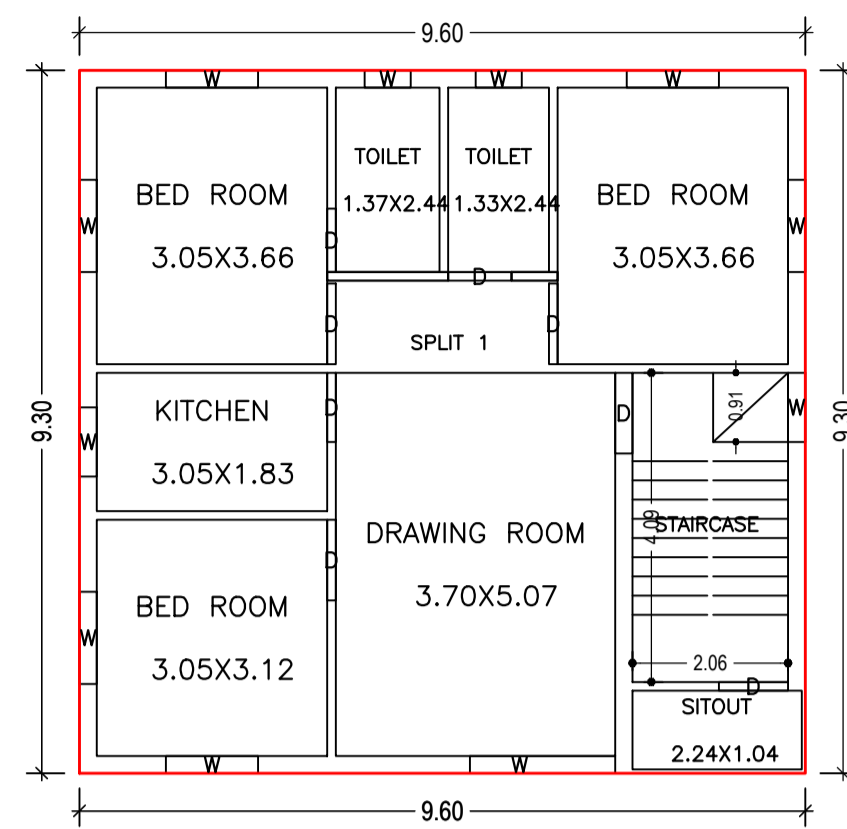
Floor Name	Total Built Up Area (Sq.mt.)	Proposed FAR Area (Sq.mt.)	Total FAR Area (Sq.mt.)	Total Consumed Additional FAR Area (Sq.mt.)	Tnmt (No.)
Ground Floor	89.26	89.26	89.26	89.26	01
First Floor	89.26	89.26	89.26	89.26	00
Terrace Floor	0.00	0.00	0.00	0.00	00
Total :	178.52	178.52	178.52	178.52	01
Total Number of Same Buildings	1				
Total :	178.52	178.52	178.52	178.52	01

LTP NAME AND SIGNATURE	STRUCTURAL ENG'S NAME AND SIGNATURE	BUILDER NAME AND SIGNATURE	DIGITAL SIGNATURE
RAM PRATAP SINGH MADA/ARC/0024/2019			

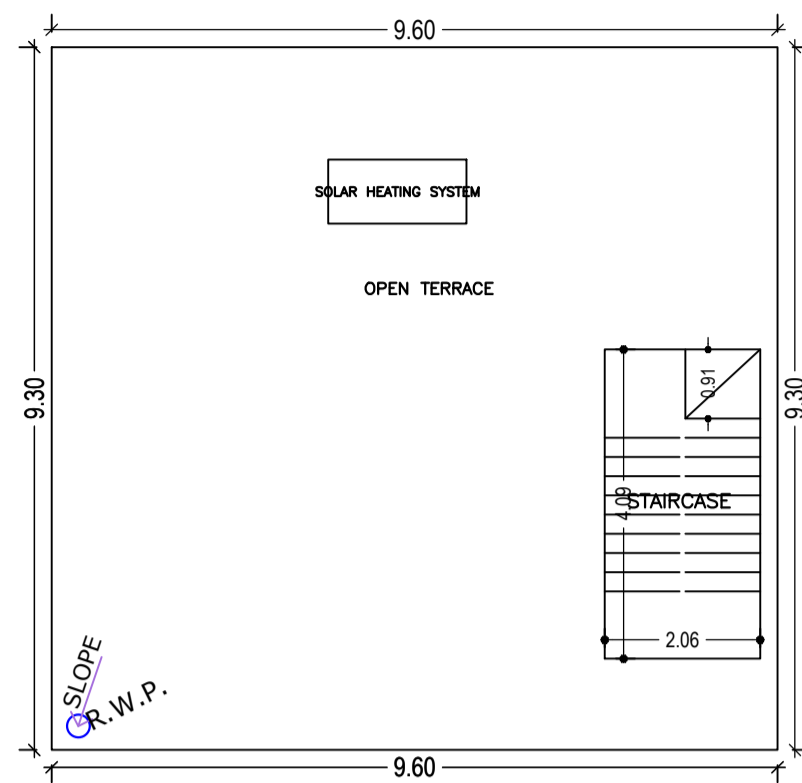
Proposal Basic Information	
Proposal File No.	MADA/BP/0179/2021
Owner Name	SMT. PUTUL DEVI
Khata No	OLD KHATA NO-69,NEW KHATA NO-134
Plot No	OLD PLOT NO. 518, NEW PLOT NO. 1456
Village Name	Jialgora
Use	Residential
SubUse	Bungalow/ Dwelling / Non Apartment



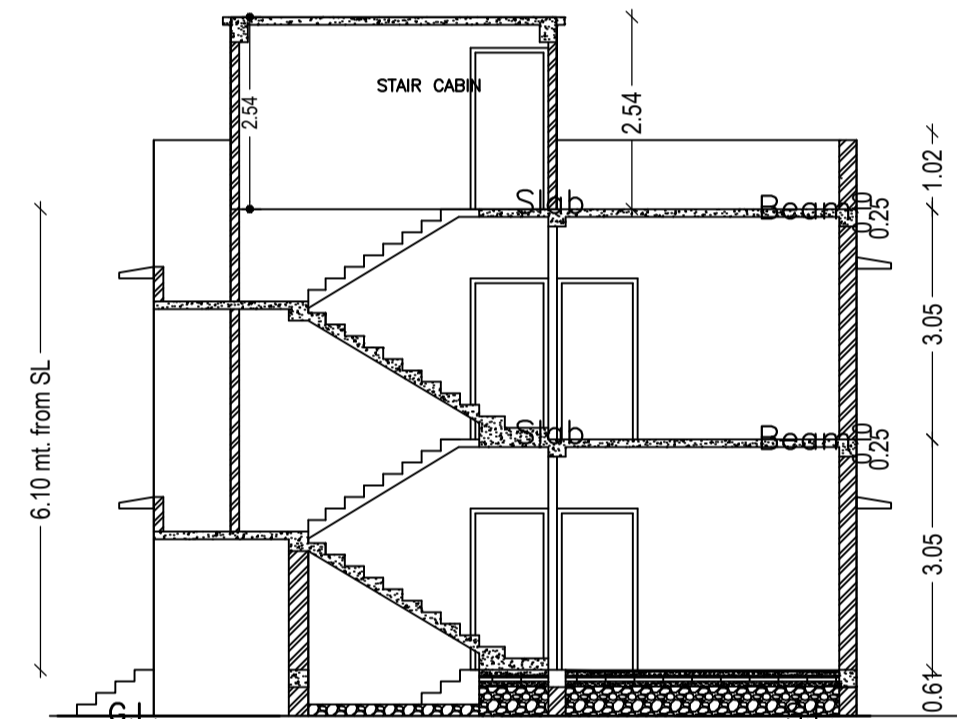
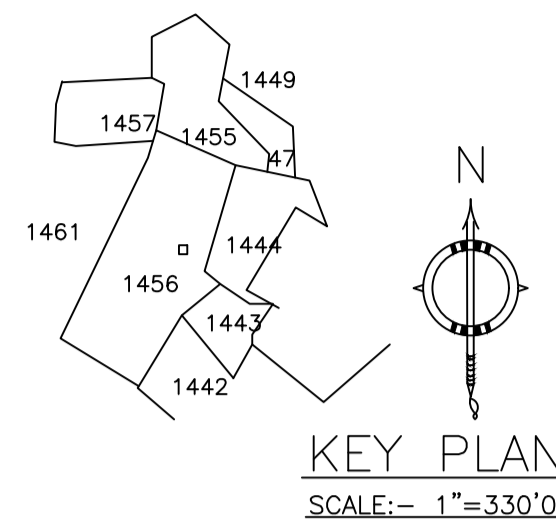
GROUND FLOOR PLAN
(Proposed)
(SCALE 1:100)



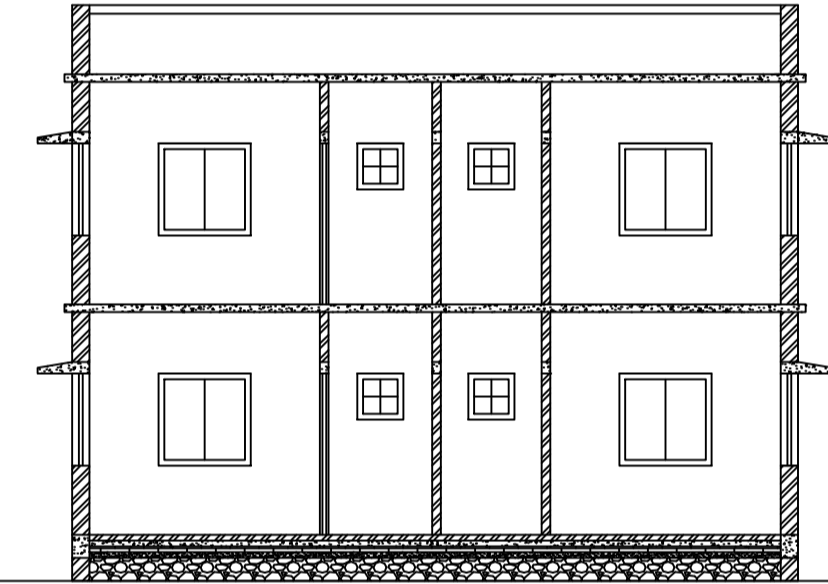
FIRST FLOOR PLAN
(Proposed)
(SCALE 1:100)



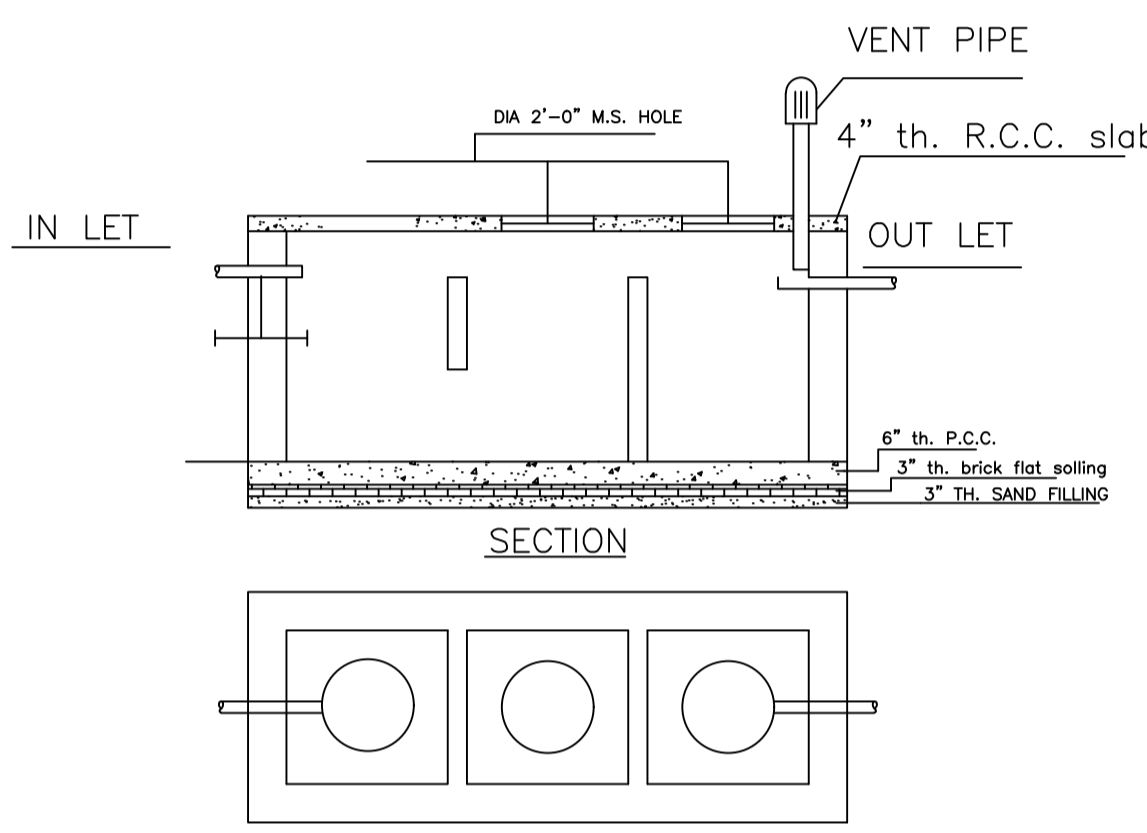
TERRACE FLOOR PLAN
(SCALE 1:100)



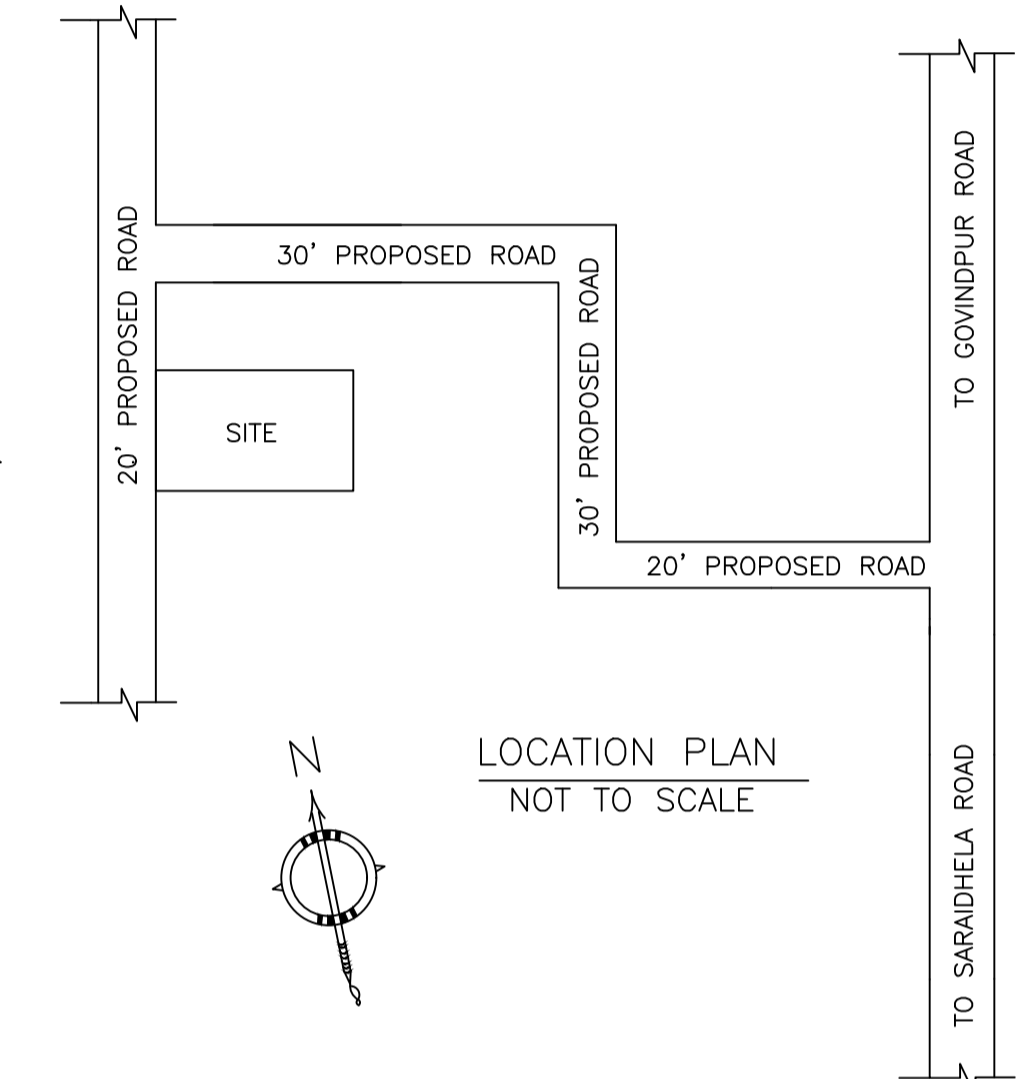
SECTION - XX'
SCALE - 1" = 8'-0"



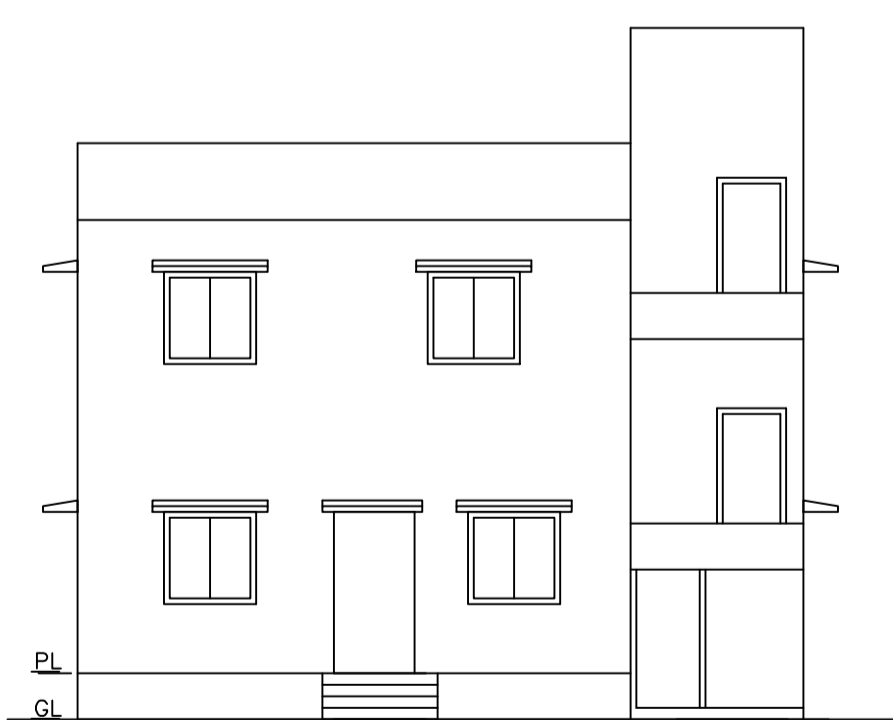
SECTION - YY'
SCALE - 1" = 8'-0"



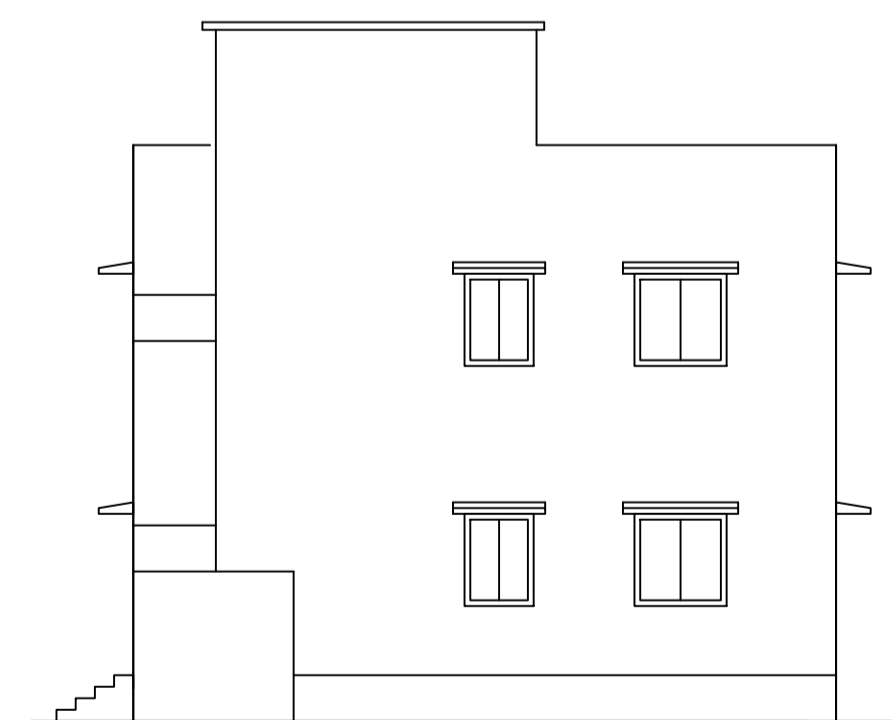
DETAILS OF SEPTIC TANK
SCALE - 1" = 4'-0"



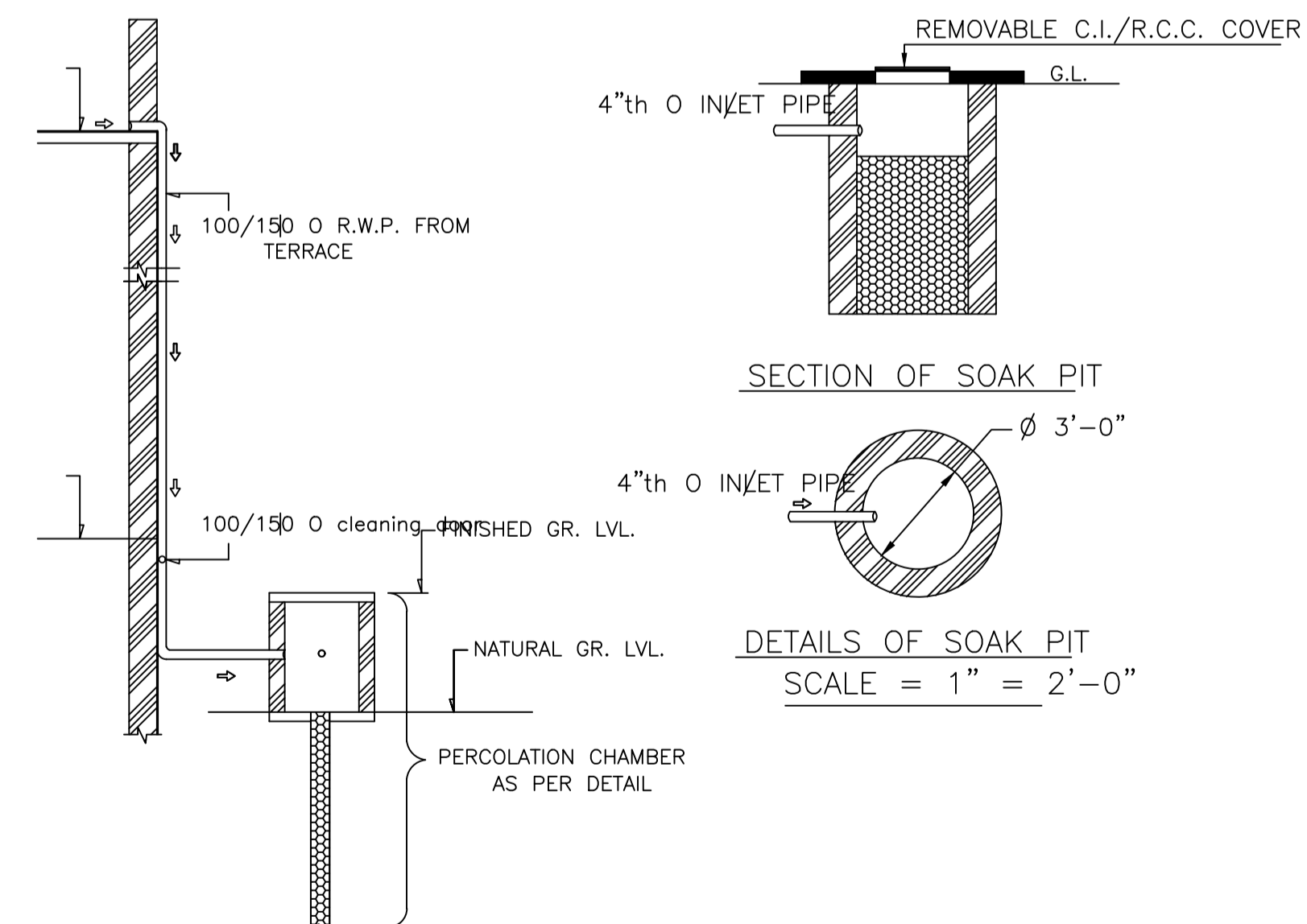
LOCATION PLAN
NOT TO SCALE



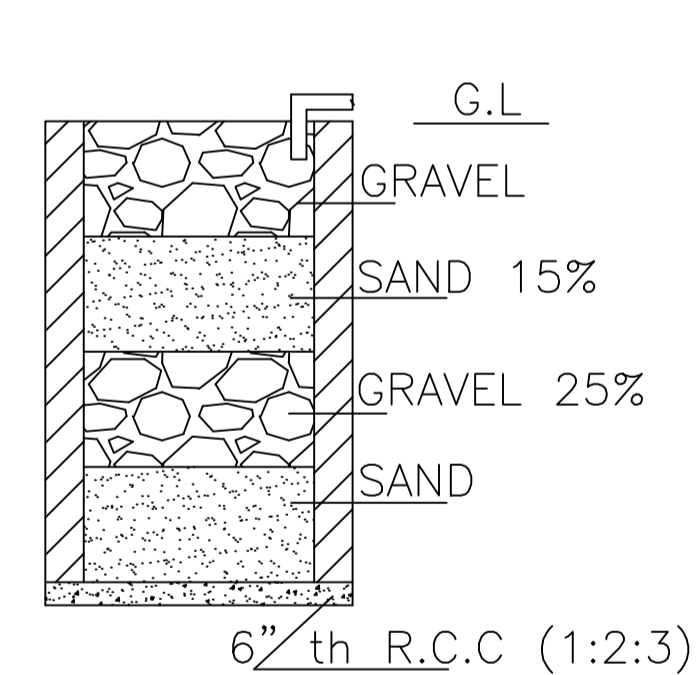
FRONT ELEVATION
SCALE - 1" = 8'-0"



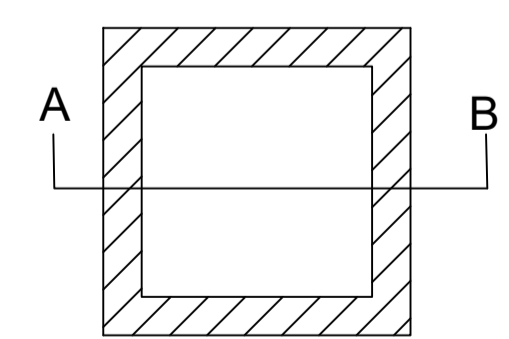
RIGHT SIDE ELEVATION
SCALE - 1" = 8'-0"



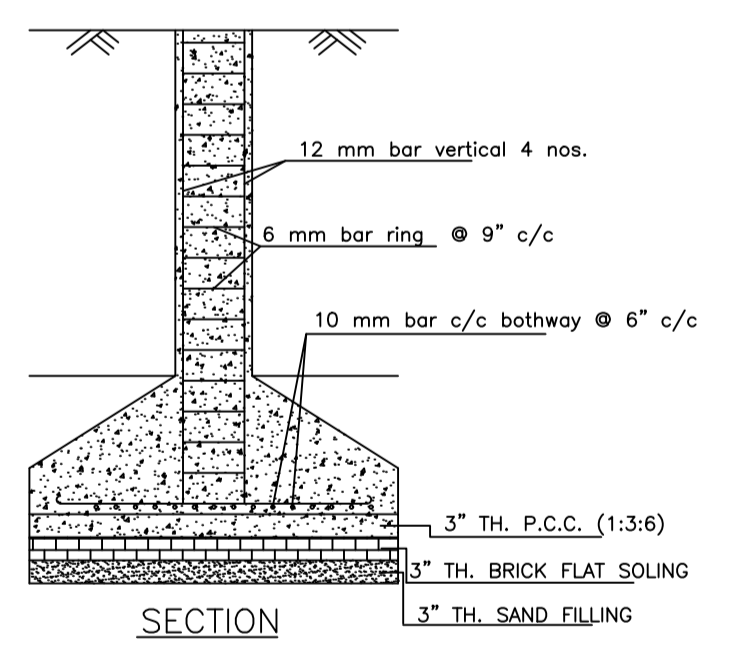
ROOF TOP RAIN WATER COLLECTION SYSTEM
SCALE = 1" = 4'-0"



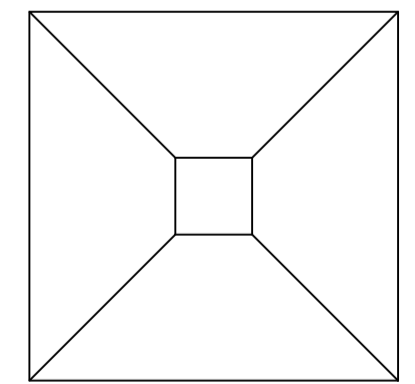
SECTION ON A - B



DETAILS DRAWING OF
RAIN WATER HARVESTING
SCALE:- 1"=2'-0"



SECTION



PLAN

DETAILS OF COLUMN FOUNDATION
SCALE - 1" = 2'-0"

LTP NAME AND SIGNATURE	STRUCTURAL ENG'S NAME AND SIGNATURE	BUILDER NAME AND SIGNATURE	DIGITAL SIGNATURE
RAM PRATAP SINGH MADA/ARC/0024/2019			