

Proposal Basic Information	
Proposal File No.	MADA/BP/0203/2021
Owner Name	Smt. Bimala Devi
Khata No	74( Old ), Khata No - 35 ( New )
Plot No	967 (OLD), 824 (NEW)
Village Name	Nawadih
Use	Residential
SubUse	Bungalow/ Dwelling / Non Apartment

AREA STATEMENT MINERAL AUTHORITY	VERSION NO.: 1.0.61	
PROJECT DETAIL:	VERSION DATE: 16/10/2020	
Region : JHARKHAND URBAN LOCAL BODIES	Plot Use: Residential	
District: DHANBAD	Plot SubUse: Bungalow/ Dwelling / Non Apartment	
Authority: MINERAL AREA DEVELOPMENT AUTHORITY	PlotNearbyReligiousStructure: NA	
Inward_No: MADA/BP/0203/2021	Plot/SubPlot No: 967 (OLD), 824 (NEW)	
Application Type: General Proposal	North: Plot No. - LOT NO. 165	
Project Type: Building Permission	South: Plot No. - LOT NO. 168	
Nature of Development: New	East: Plot No. - LOT NO. 167	
Location of Development Area: Old Area	West: Road Width - 5.49M S.R.K. ROAD	
AREA DETAILS:		SQ.MT.
AREA OF PLOT (Minimum)	(A)	256.53
NET AREA OF PLOT(Gross Plot Area - Deduction from Gross Plot area)	(A-Deductions)	256.53
Deduction for Balance Plot Area(from Gross Plot Area)		
Common Plot		20.40
Total		20.40
BALANCE AREA OF PLOT(Net Plot Area - Recreational/Amenity space)	(A-Deductions)	236.13
PLOT AREA FOR COVERAGE(Net Plot Area)	(A-Deductions)	256.53
Plot Area for FAR (Net Plot Area + Road/Widening Area)	(A-Deductions)	256.53
COVERAGE CHECK		
Permissible Coverage area ( 60.00 % )		153.92
Proposed Coverage Area ( 55.24 % )		141.72
Total Prop. Coverage Area ( 55.24 % )		141.72
Balance coverage area ( 4.76 % )		12.20
FAR CHECK		
Perm. FAR Area ( 1.80 )		461.75
Total Perm. FAR area		461.75
Residential FAR		403.46
Proposed FAR Area		403.46
Total Proposed FAR Area		403.46
Consumed FAR (Factor)		1.57
Balance FAR Area		58.29
BUILT UP AREA CHECK		
Total Proposed BuiltUp Area		403.46
ARCHITECT (Regd)	Piyush Kanti Singh	
ENGINEER (Regd)		
SUPERVISOR (Regd)		
OWNER (Regd)	Smt. Bimala Devi	
DEVELOPMENT AUTHORITY		LOCAL BODY

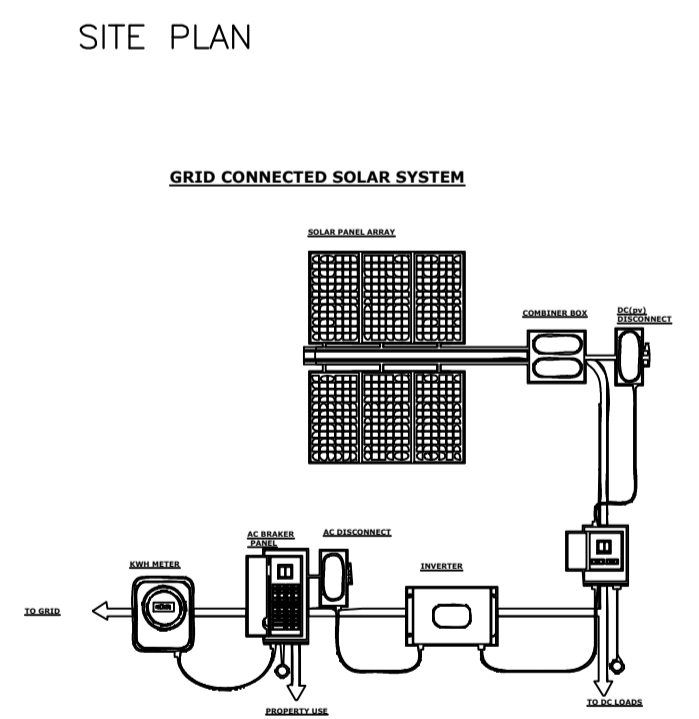
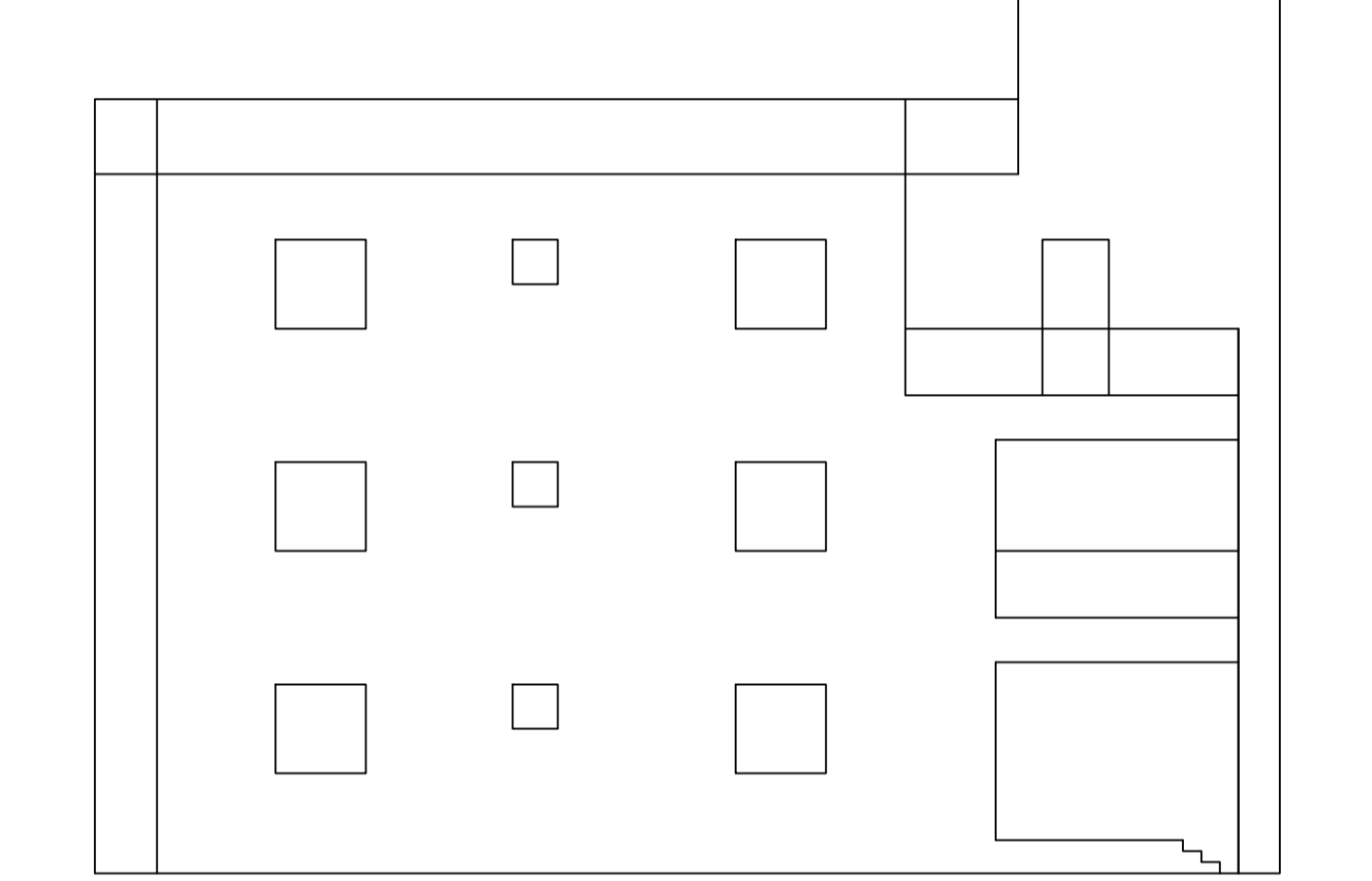
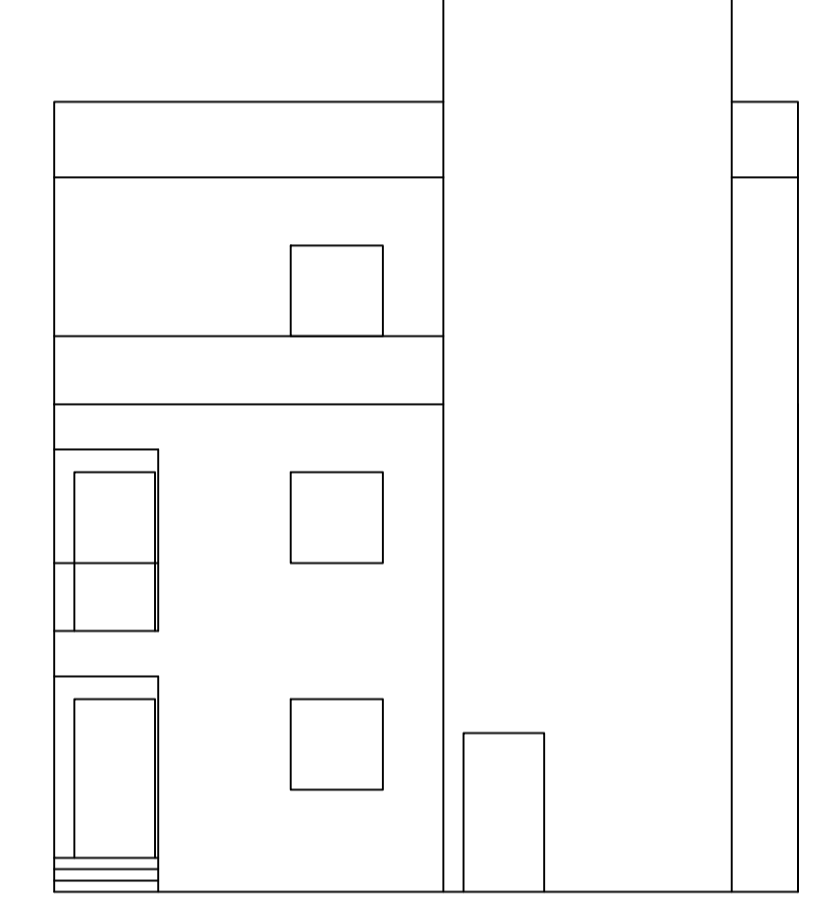
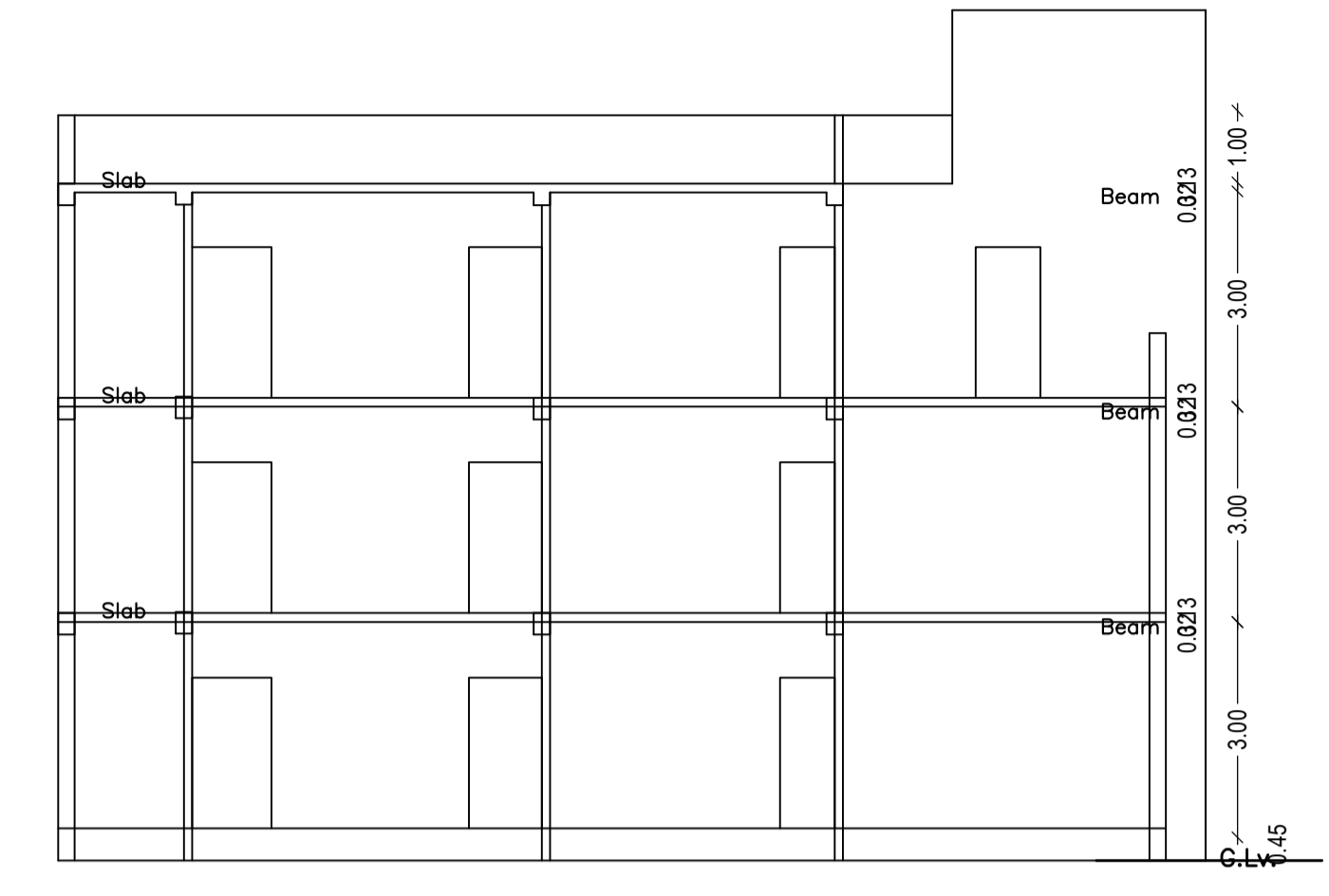
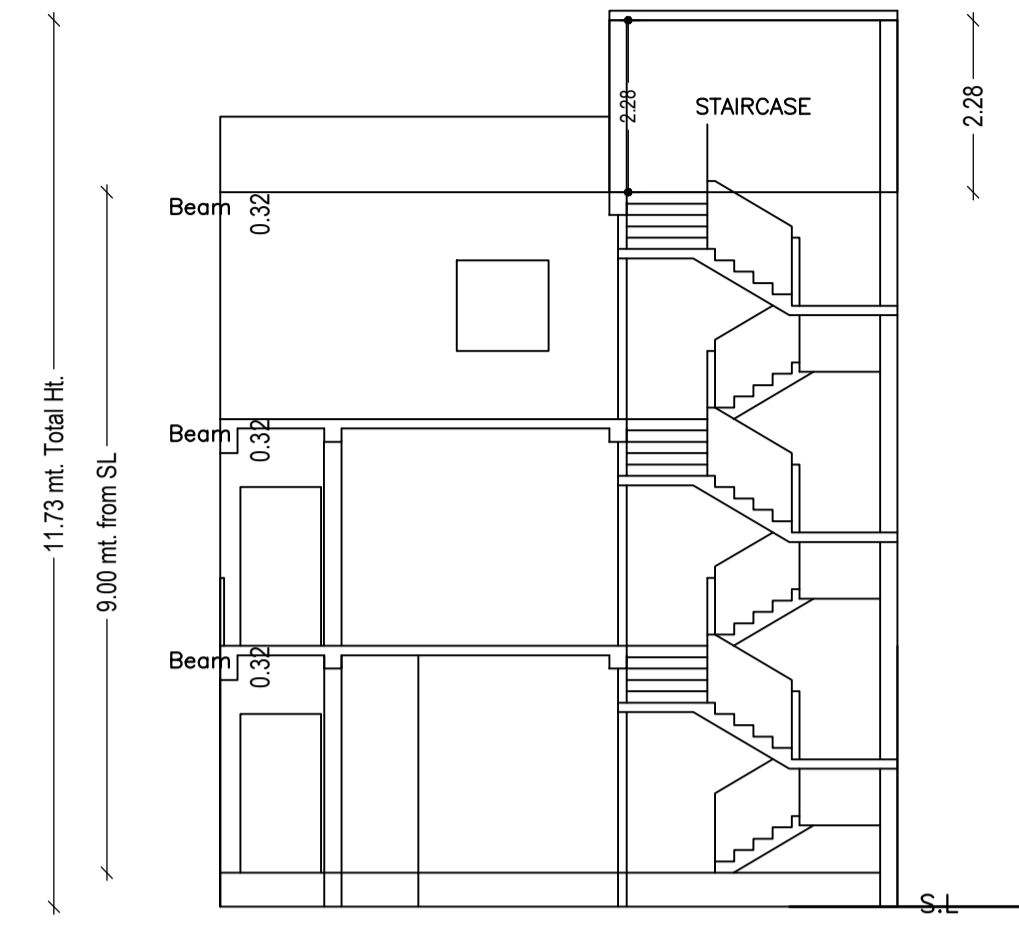
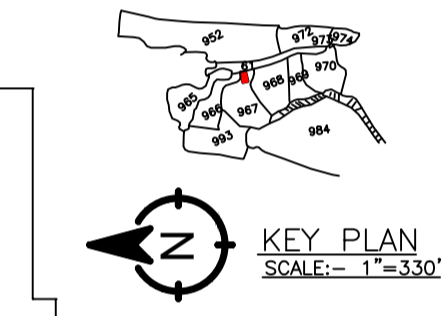
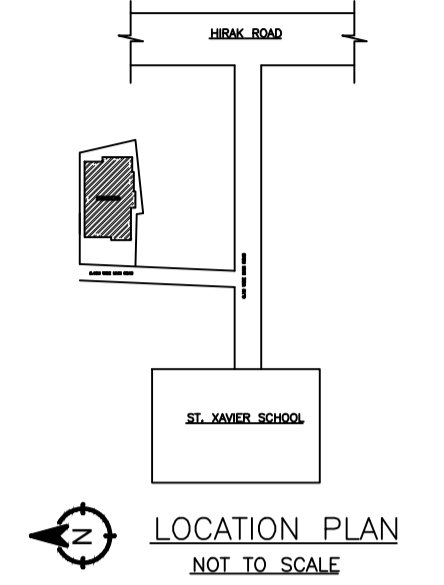
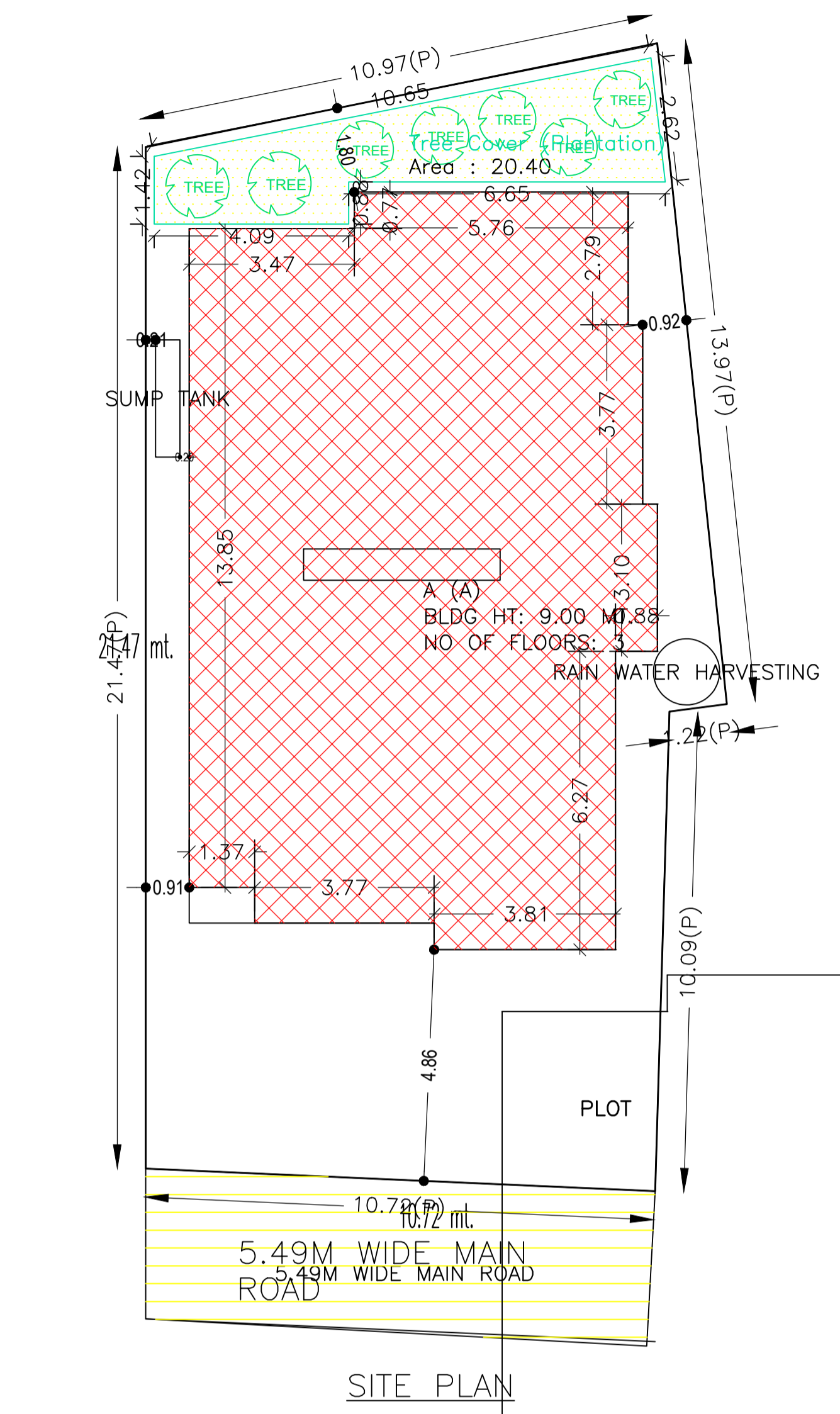
COLOR INDEX	
PLOT BOUNDARY	Black
ABUTTING ROAD	Green
PROPOSED CONSTRUCTION	Red
COMMON PLOT	Yellow
ROAD WIDENING AREA	Blue
EXISTING (To be retained)	Light Blue
EXISTING (To be demolished)	White

Buildingwise Floor FAR Details				
Floor Name	Building Name A (A)		Total	
	Proposed Built Up Area (Sq.mt.)	Proposed FAR Area (Sq.mt.)	Total Proposed Built Up Area (Sq.mt.)	Total FAR Area (Sq.mt.)
Ground Floor	141.72	141.72	141.72	141.72
First Floor	142.75	142.75	142.75	142.75
Second Floor	118.99	118.99	118.99	118.99
Terrace Floor	0.00	0.00	0.00	0.00
Total:	403.46	403.46	403.46	403.46

Building USE/SUBUSE Details			
Building Name	Building Use	Building SubUse	Building Structure
A (A)	Residential	Bungalow/ Dwelling / Non Apartment	Non-Highrise

UnitBUA Table for Building :A (A)						
FLOOR	Name	UnitBUA Type	UnitBUA Area	Carpet Area	No. of Rooms	No. of Tenement
GROUND FLOOR PLAN	SPLIT Bimala	FLAT	403.46	397.18	11	1
SECOND FLOOR PLAN	SPLIT Bimala	FLAT	0.00	0.00	9	0
FIRST FLOOR PLAN	SPLIT Bimala	FLAT	0.00	0.00	11	0
Total:	-	-	403.46	397.18	31	1

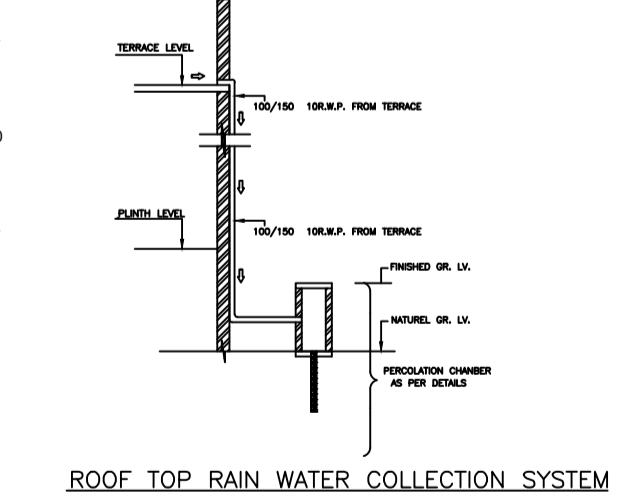
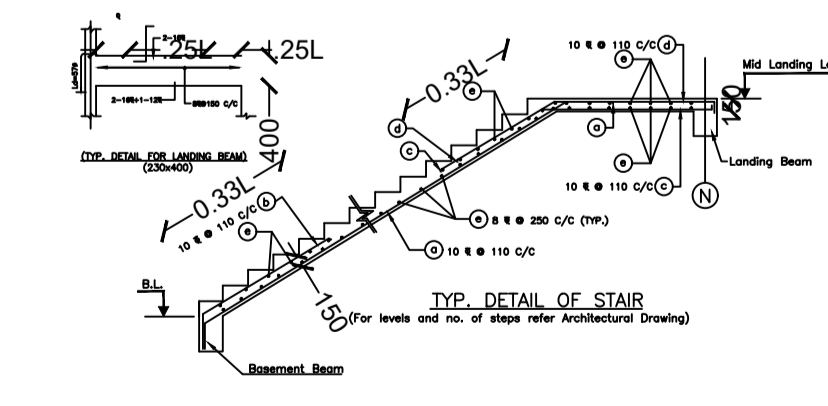
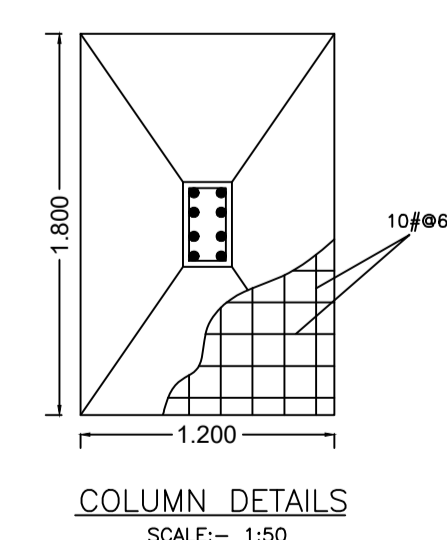
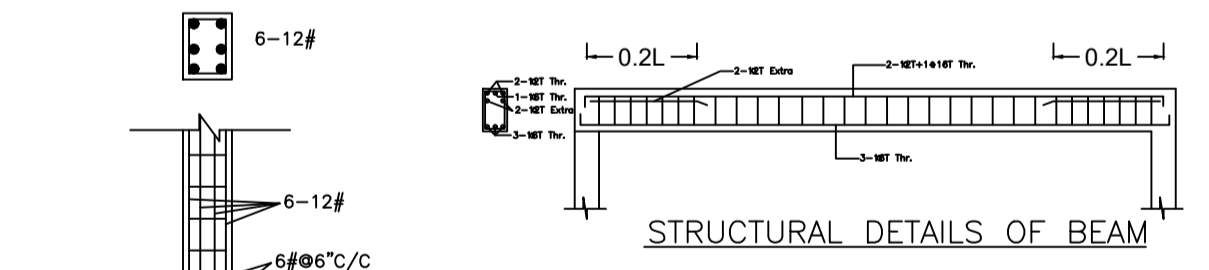
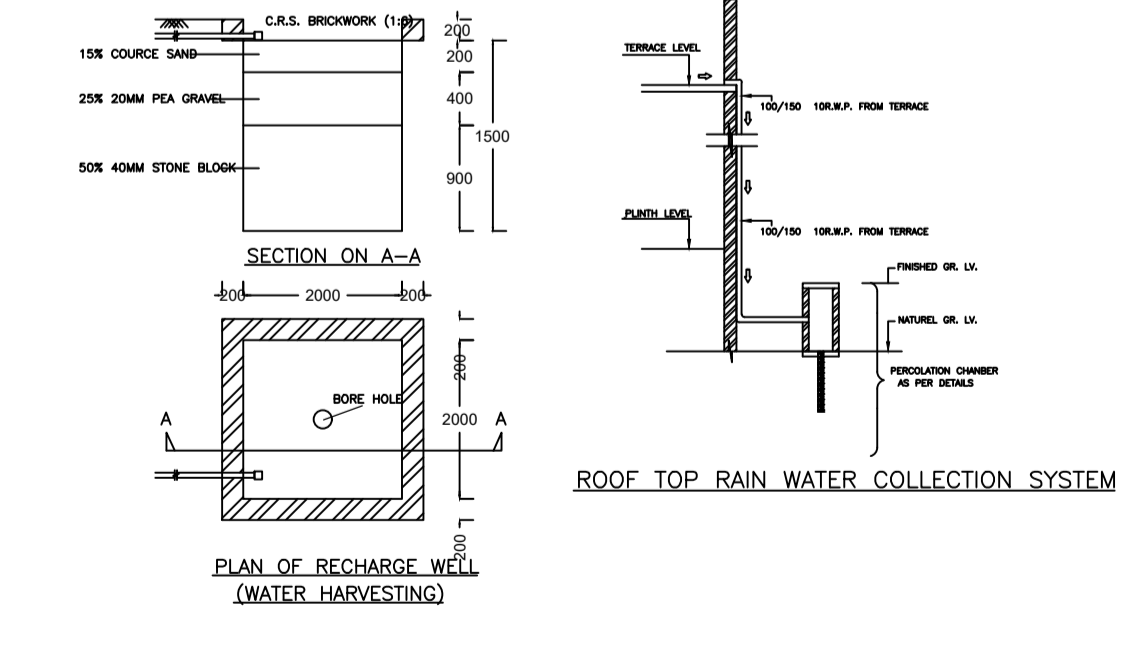
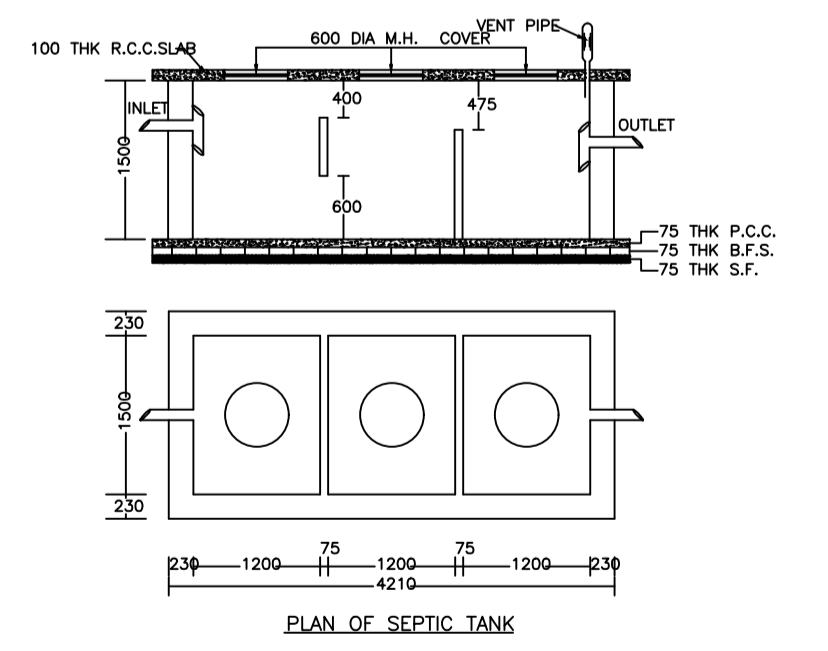
FAR & Tenement Details (Table 4c-1)						
Building	No. of Same Bldg	Total Built Up Area (Sq.mt.)	Proposed FAR Area (Sq.mt.) Resi.	Total FAR Area (Sq.mt.)	Total Consumed Additional FAR Area (Sq.mt.)	Trmt (No.)
A (A)	1	403.46	403.46	403.46	403.46	01
Grand Total:	1	403.46	403.46	403.46	403.46	01



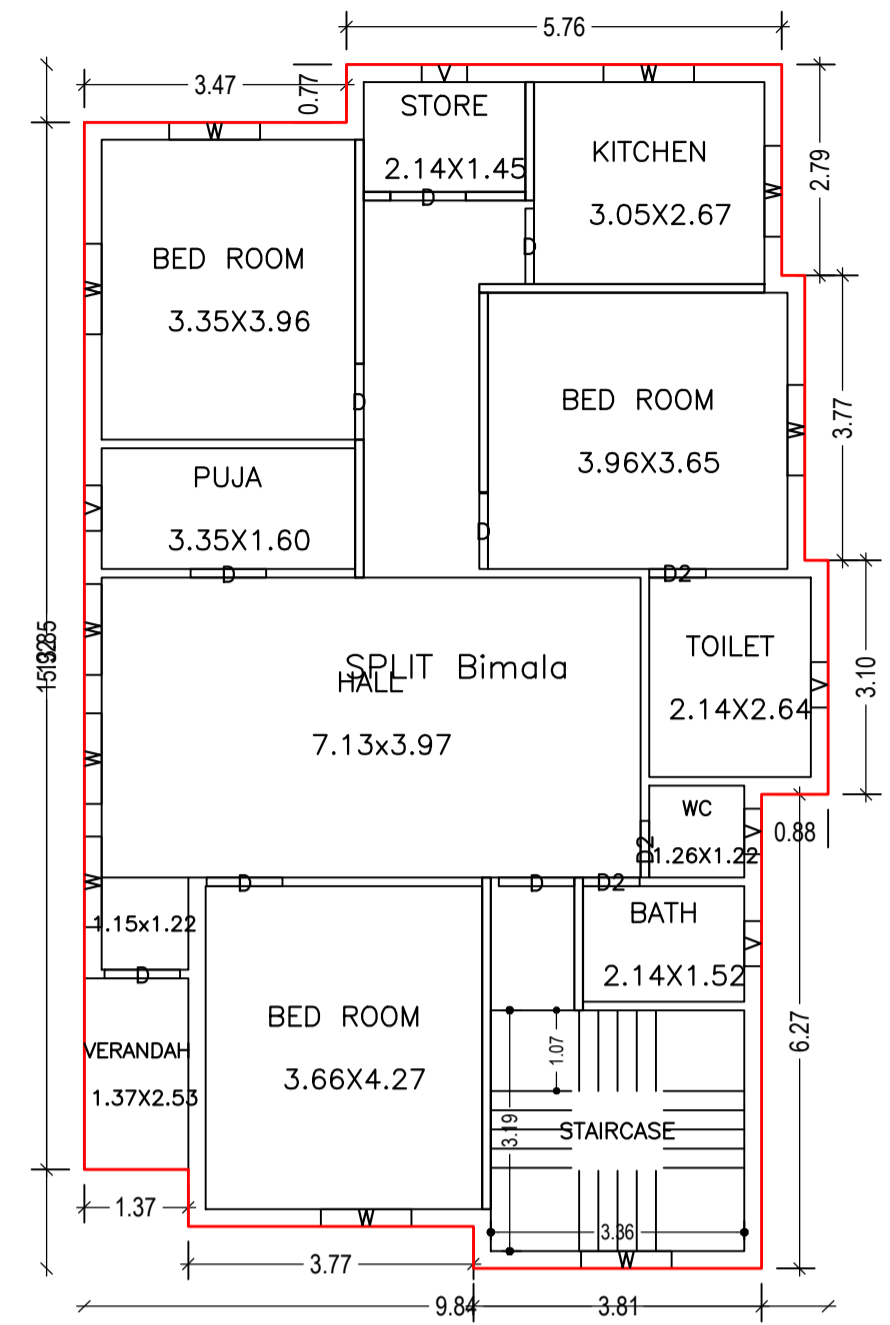
SCHEDULE OF DOOR:				
BUILDING NAME	NAME	LENGTH	HEIGHT	NOS
A (A)	D2	0.75	2.10	09
A (A)	D	1.00	2.10	22

SCHEDULE OF WINDOW/VENTILATION:				
BUILDING NAME	NAME	LENGTH	HEIGHT	NOS
A (A)	V	0.60	0.60	15
A (A)	W	1.20	1.20	30

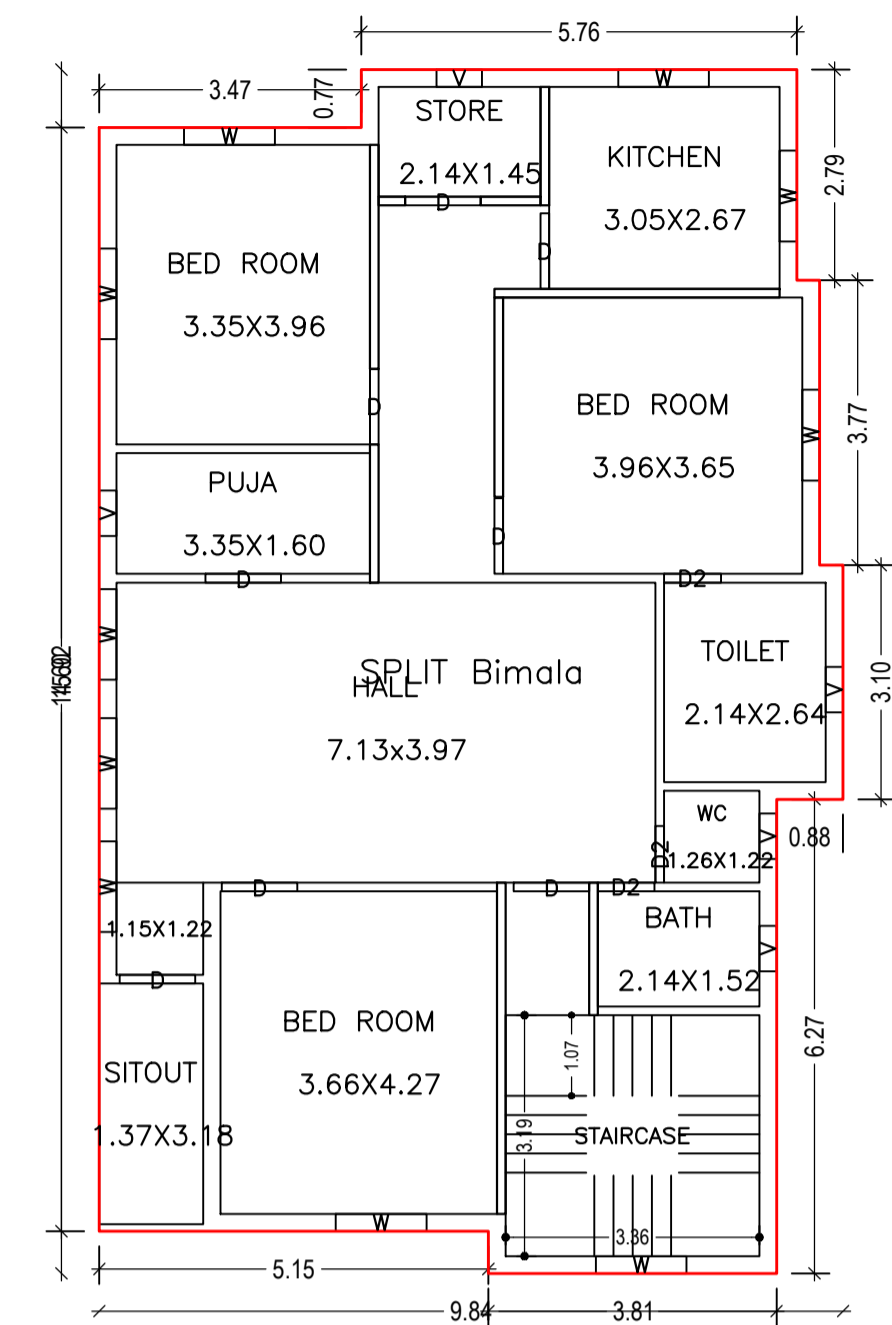
Building :A (A)					
Floor Name	Total Built Up Area (Sq.mt.)	Proposed FAR Area (Sq.mt.) Resi.	Total FAR Area (Sq.mt.)	Total Consumed Additional FAR Area (Sq.mt.)	Trmt (No.)
Ground Floor	141.72	141.72	141.72	141.72	01
First Floor	142.75	142.75	142.75	142.75	00
Second Floor	118.99	118.99	118.99	118.99	00
Terrace Floor	0.00	0.00	0.00	0.00	00
Total :	403.46	403.46	403.46	403.46	01
Total Number of Same Buildings :	1				
Total :	403.46	403.46	403.46	403.46	01



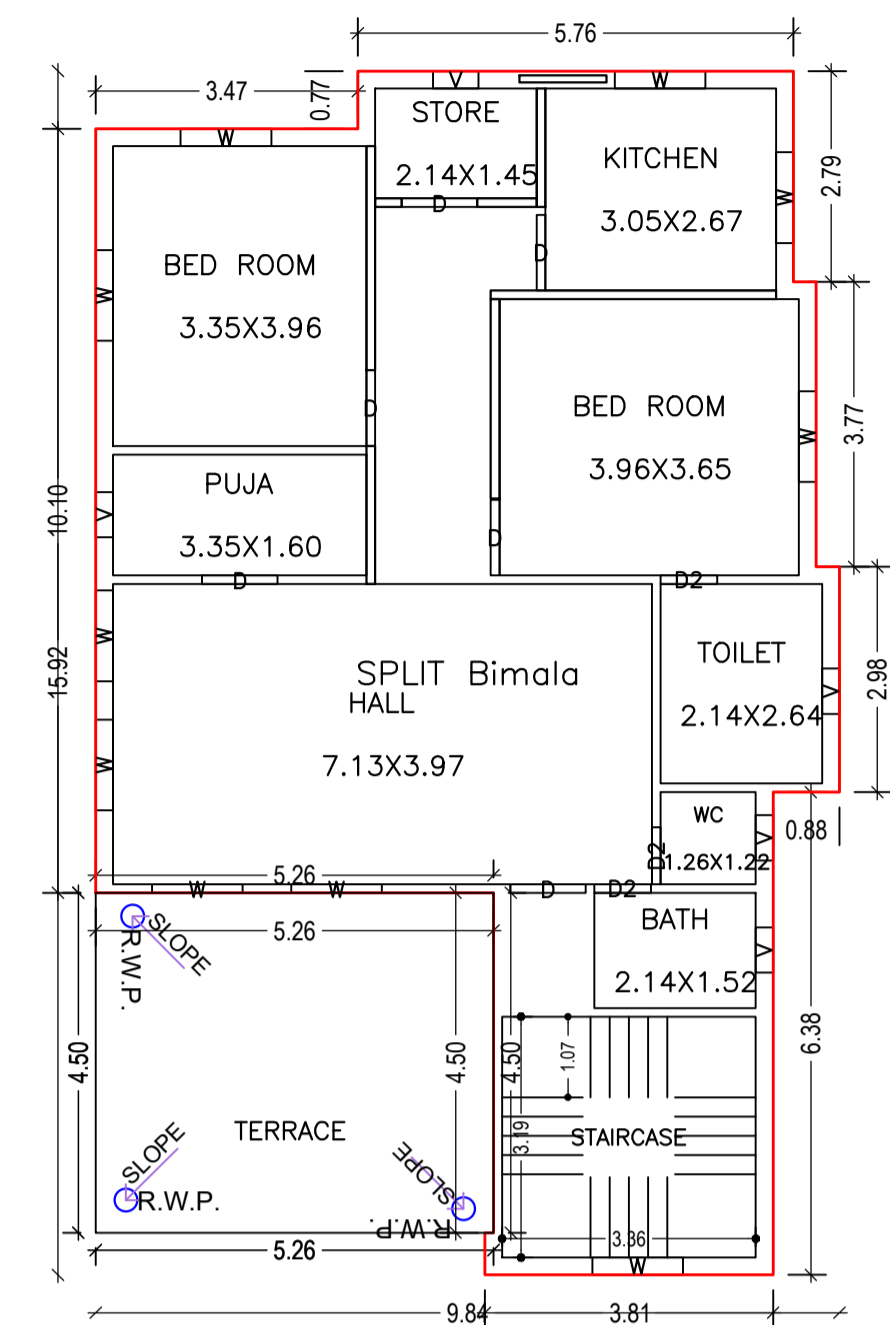
DATE 09-11-2021 SHEET NO. 2	
Proposal Basic Information	
Proposal File No.	MADA/BP/0203/2021
Owner Name	Smt. Bimala Devi
Khata No	74( Old ), Khata No - 35 ( New )
Plot No	967 (OLD) , 824 (NEW)
Village Name	Nawadhi
Use	Residential
SubUse	Bungalow/ Dwelling / Non Apartment



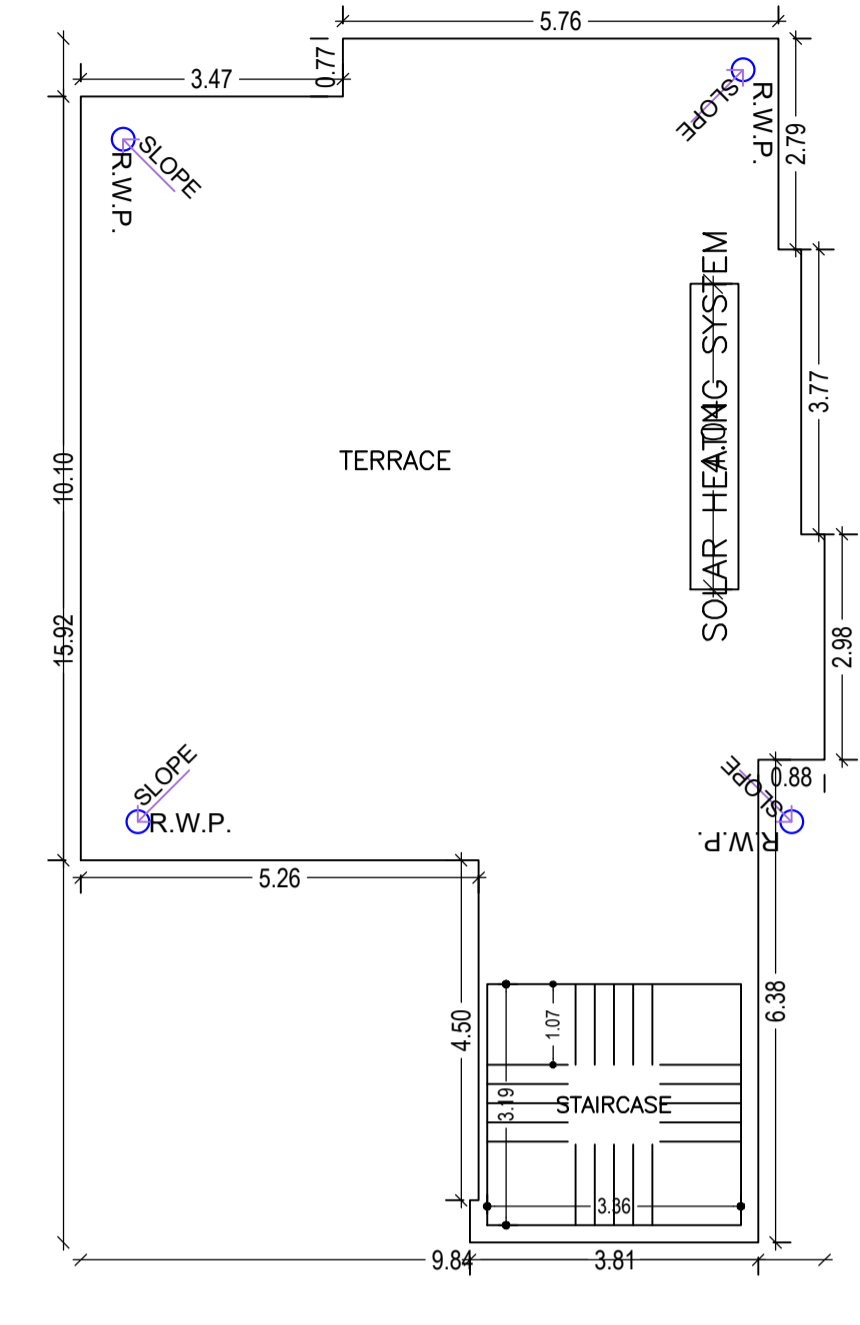
GROUND FLOOR PLAN  
(Proposed)  
(SCALE 1:100)



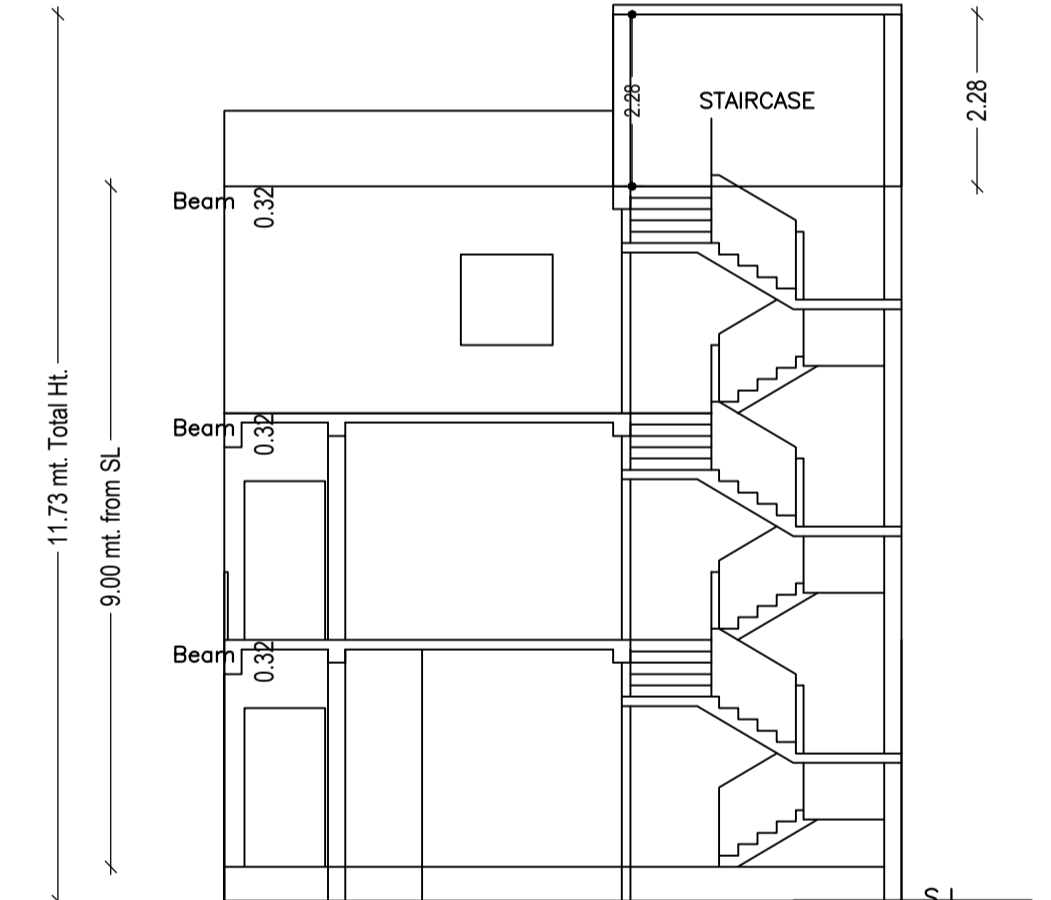
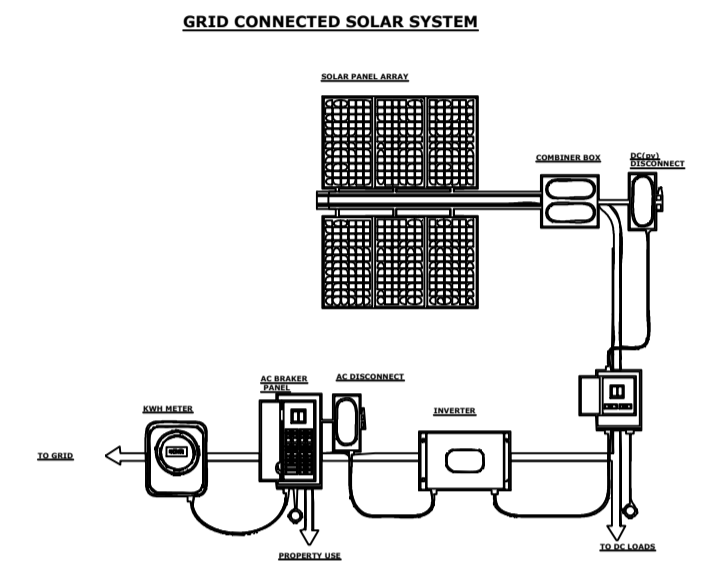
FIRST FLOOR PLAN  
(Proposed)  
(SCALE 1:100)



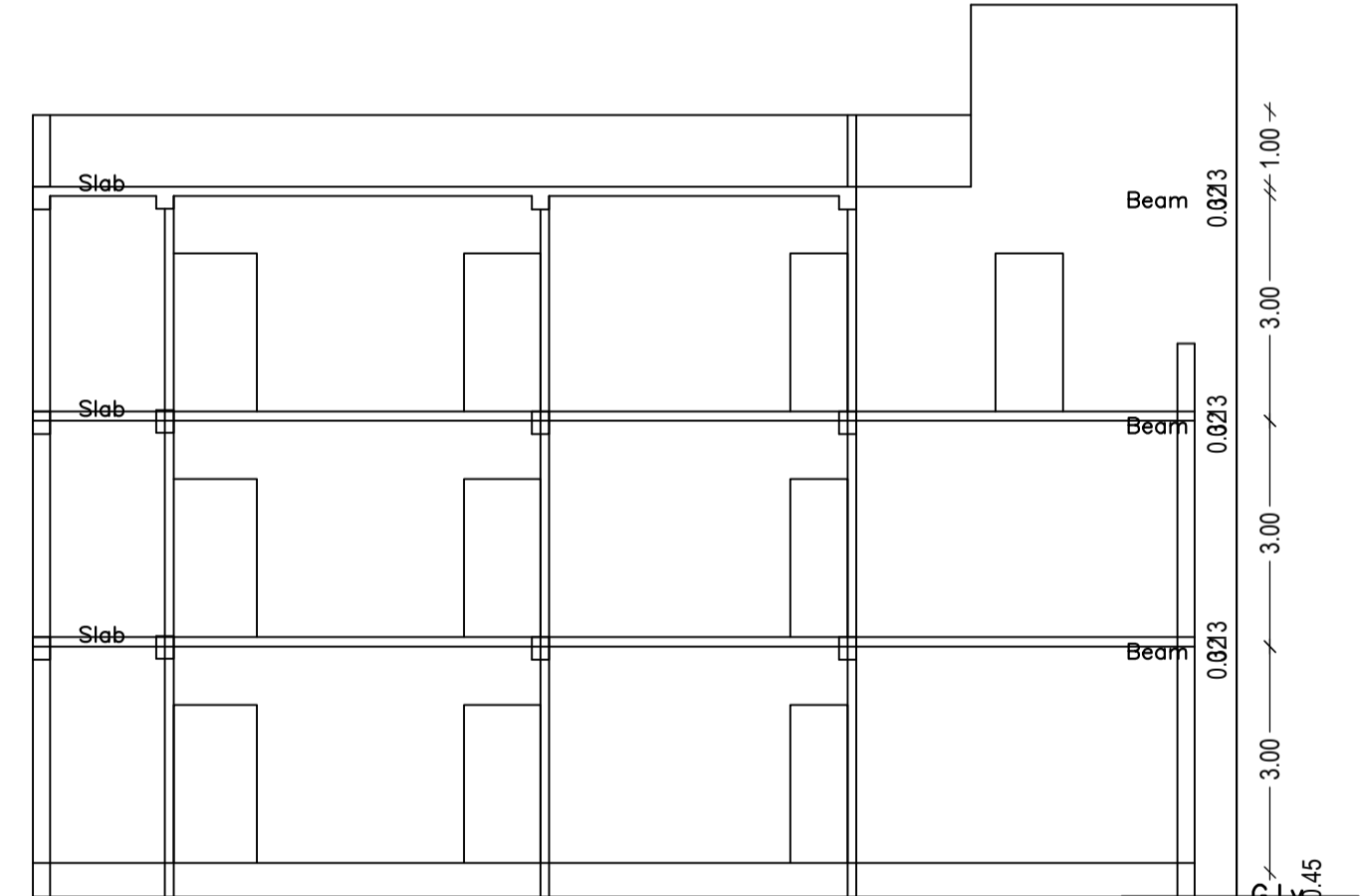
SECOND FLOOR PLAN  
(Proposed)  
(SCALE 1:100)



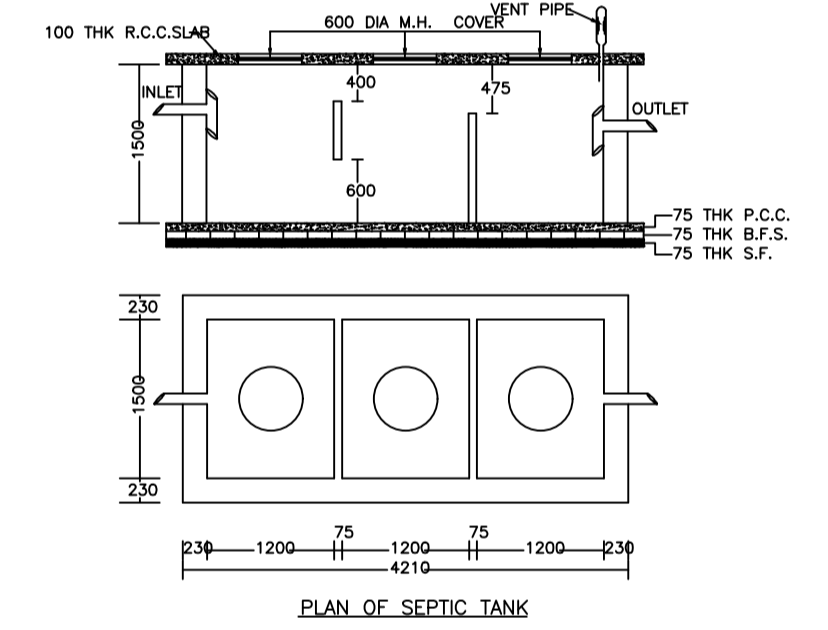
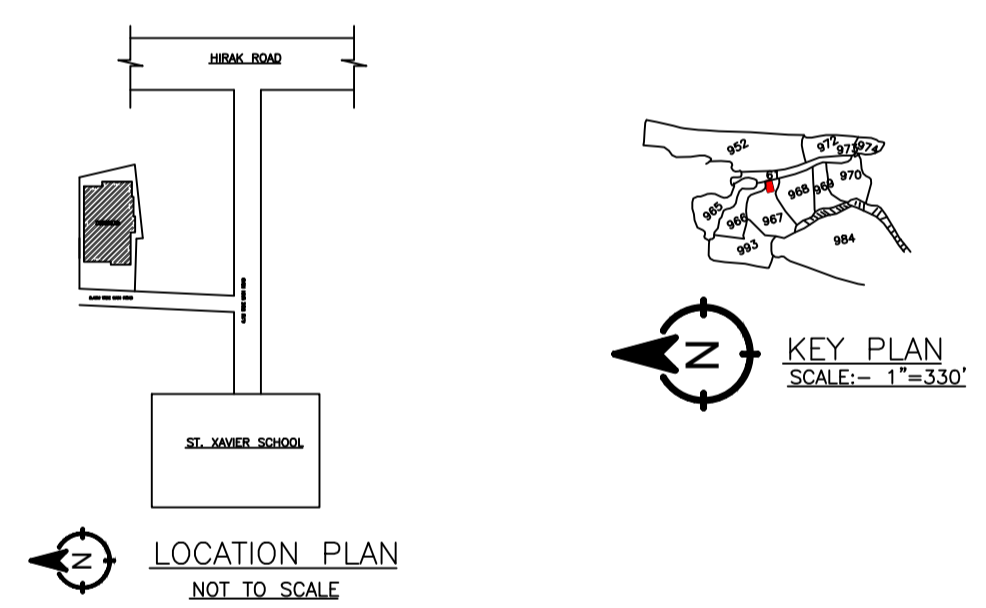
TERRACE FLOOR PLAN  
(SCALE 1:100)



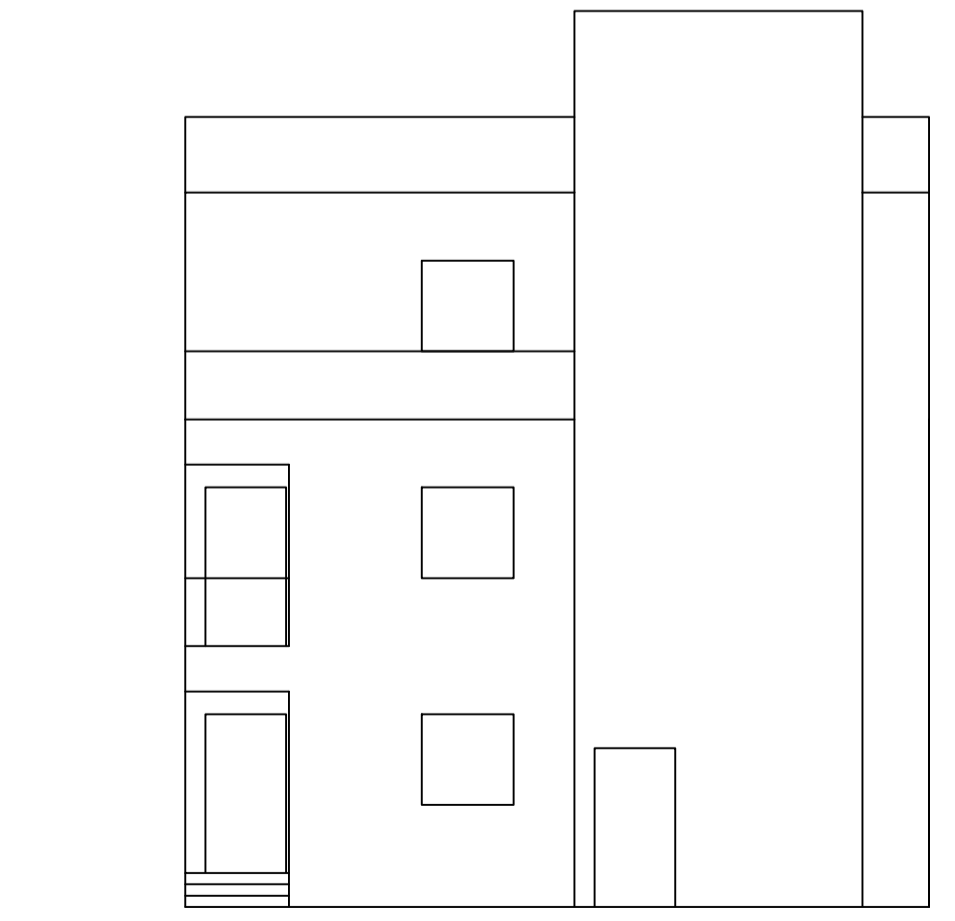
SECTION ON X-X



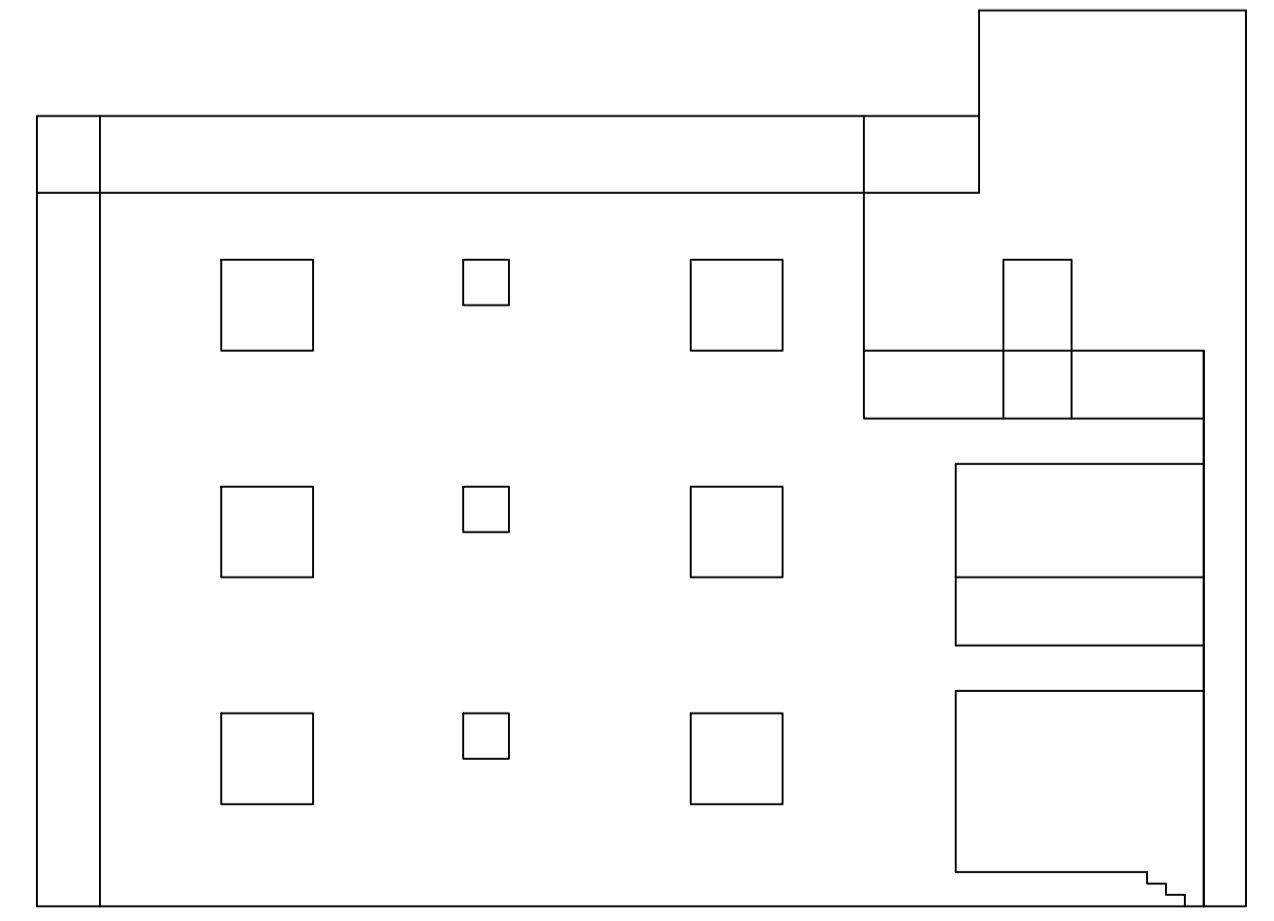
SECTION ON Y-Y



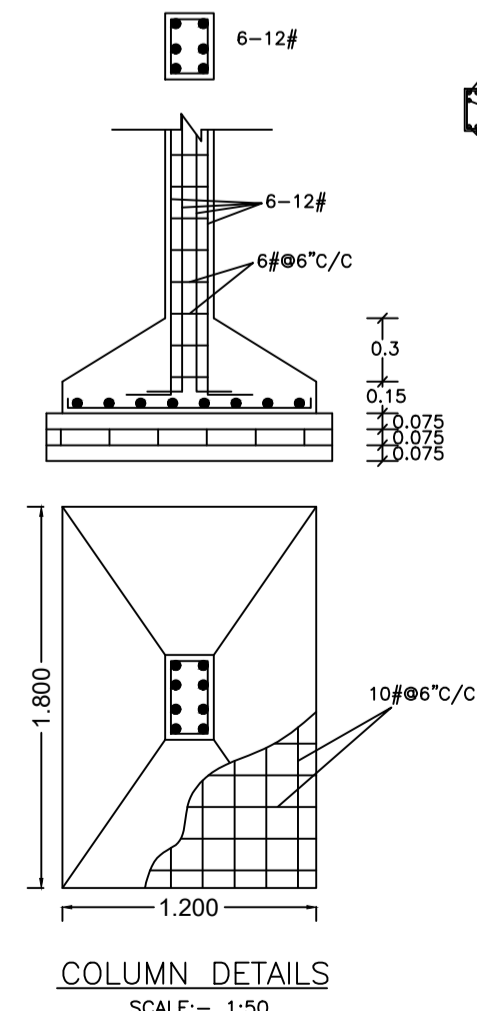
PLAN OF SEPTIC TANK



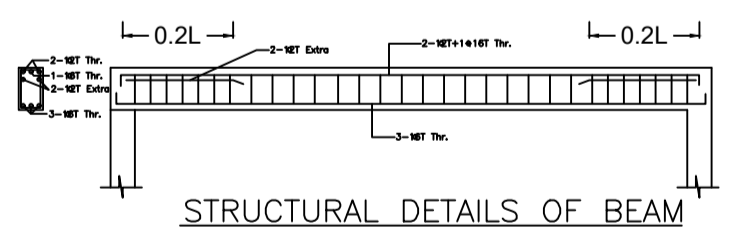
FRONT ELEVATION



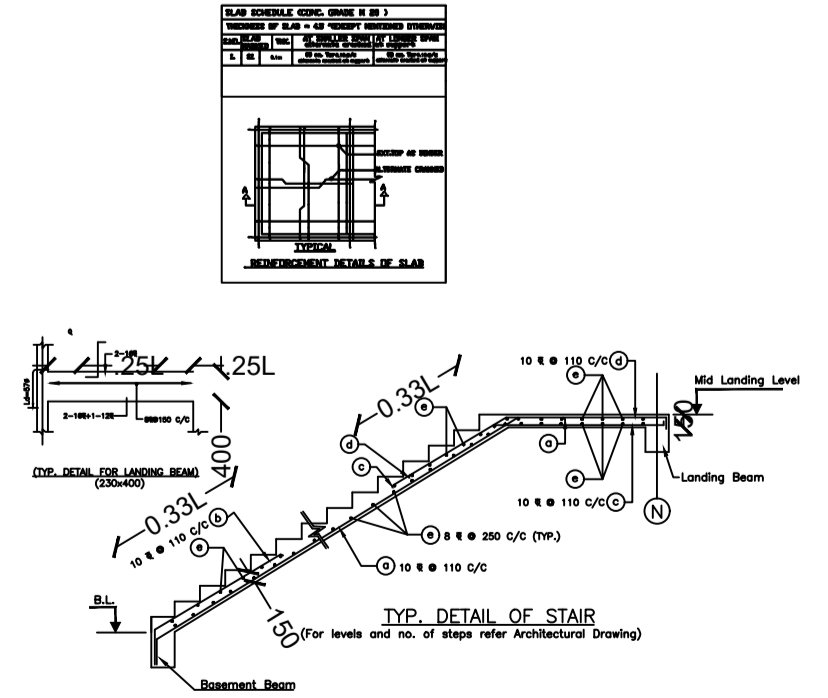
RIGHT SIDE ELEVATION



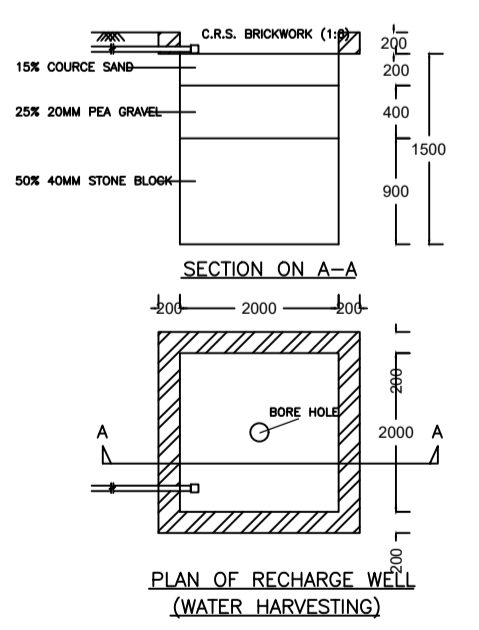
COLUMN DETAILS  
SCALE: 1:50



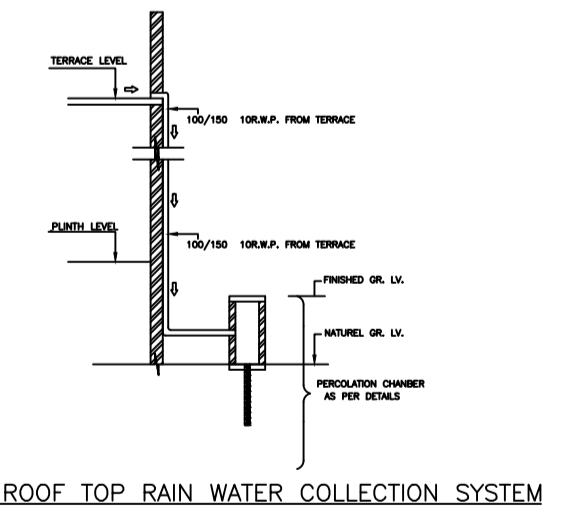
STRUCTURAL DETAILS OF BEAM



TYP. DETAIL OF STAIR



SECTION ON A-A



ROOF TOP RAIN WATER COLLECTION SYSTEM

LTP NAME AND SIGNATURE	STRUCTURAL ENG'S NAME AND SIGNATURE	BUILDER NAME AND SIGNATURE	DIGITAL SIGNATURE
Piyush Kanti Singh MADA/ENG/0012/2019			