

Proposal Basic Information

Proposal File No.	MADA/BP/0195/2021
Owner Name	AARIF HUSSAIN
Khata No	OLD KHATA NO-16, NEW KHATA NO-14
Plot No	OLD PLOT NO. 71, NEW PLOT NO. 196
Village Name	Tilakraydih
Use	Residential
SubUse	Bungalow/ Dwelling / Non Apartment

AREA STATEMENT MINERAL	VERSION NO.: 1.0.60
AREA DEVELOPMENT AUTHORITY	VERSION DATE: 16/10/2020
PROJECT DETAIL:	
Region: JHARKHAND URBAN LOCAL BODIES	Plot Use: Residential
District: DHANBAD	Plot SubUse: Bungalow/ Dwelling / Non Apartment
Authority: MINERAL AREA DEVELOPMENT AUTHORITY	PlotNearby/ReligiousStructure: NA
Inward No: MADA/BP/0195/2021	Plot/SubPlot No: OLD PLOT NO. 71, NEW PLOT NO. 196
Application Type: General Proposal	North: Plot No. - SAME PLOT
Project Type: Building Permission	South: Plot No. - SAME PLOT
Nature of Development: New	East: Road Width - 6.10
Location of Development Area: Old Area	West: Plot No. - SAME PLOT
AREA DETAILS:	
AREA OF PLOT (Minimum)	(A) 138.76 SQ.MT.
NET AREA OF PLOT (Gross Plot Area - Deduction from Gross Plot area)	(A-Deductions) 138.76
Deduction for Balance Plot Area (from Gross Plot Area)	
Common Plot	14.07
Total	14.07
BALANCE AREA OF PLOT (Net Plot Area - Recreational/Amenity space)	(A-Deductions) 124.69
PLOT AREA FOR COVERAGE (Net Plot Area)	(A-Deductions) 138.76
Plot Area for FAR (Net Plot Area + Road Widening Area)	(A-Deductions) 138.76
COVERAGE CHECK	
Permissible Coverage area (70.00 %)	97.13
Proposed Coverage Area (47.08 %)	65.32
Total Prop. Coverage Area (47.08 %)	65.32
Balance coverage area (22.93 %)	31.81
FAR CHECK	
Perm. FAR Area (2.50)	346.90
Total Perm. FAR area	346.90
Residential FAR	147.26
Proposed FAR Area	147.26
Total Proposed FAR Area	147.26
Consumed FAR (Factor)	1.06
Balance FAR Area	199.64
BUILT UP AREA CHECK	
Total Proposed BuiltUp Area	163.88
ARCHITECT (Regd)	RAM PRATAP SINGH
ENGINEER (Regd)	
SUPERVISOR (Regd)	
OWNER (Regd)	AARIF HUSSAIN
DEVELOPMENT AUTHORITY LOCAL BODY	

COLOR INDEX	
PLOT BOUNDARY	Black
ABUTTING ROAD	Green
PROPOSED CONSTRUCTION	Red
COMMON PLOT	Yellow
ROAD WIDENING AREA	Blue
EXISTING (To be retained)	Light Blue
EXISTING (To be demolished)	Light Yellow

Buildingwise Floor FAR Details				
Floor Name	Building Name		Total	
	Proposed Built Up Area (Sq.mt.)	Proposed FAR Area (Sq.mt.)	Total Proposed Built Up Area (Sq.mt.)	Total FAR Area (Sq.mt.)
Ground Floor	81.94	65.32	81.94	65.32
First Floor	81.94	81.94	81.94	81.94
Terrace Floor	0.00	0.00	0.00	0.00
Total :	163.88	147.26	163.88	147.26

Building USE/SUBUSE Details			
Building Name	Building Use	Building SubUse	Building Structure
A (AARIF)	Residential	Bungalow/ Dwelling / Non Apartment	Non-Highrise

UnitBUA Table for Building :A (AARIF)						
FLOOR	Name	UnitBUA Type	UnitBUA Area	Carpet Area	No. of Rooms	No. of Tenement
GROUND FLOOR PLAN	SPLIT 1	FLAT	147.26	146.60	5	1
FIRST FLOOR PLAN	SPLIT 1	FLAT	0.00	0.00	7	0
Total:	-	-	147.26	146.60	12	1

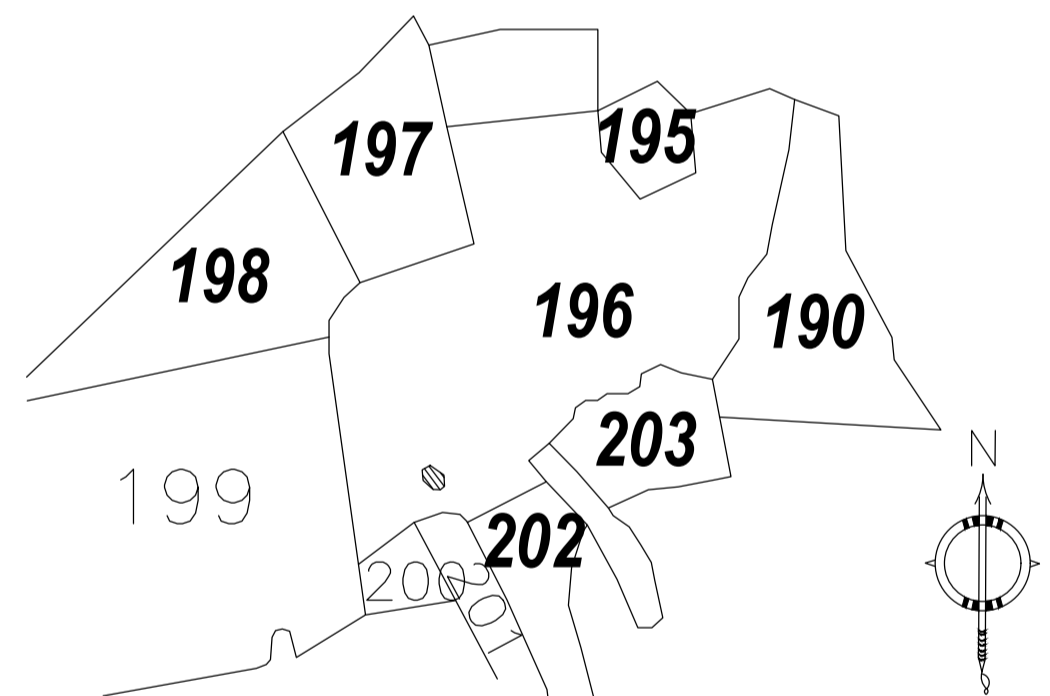
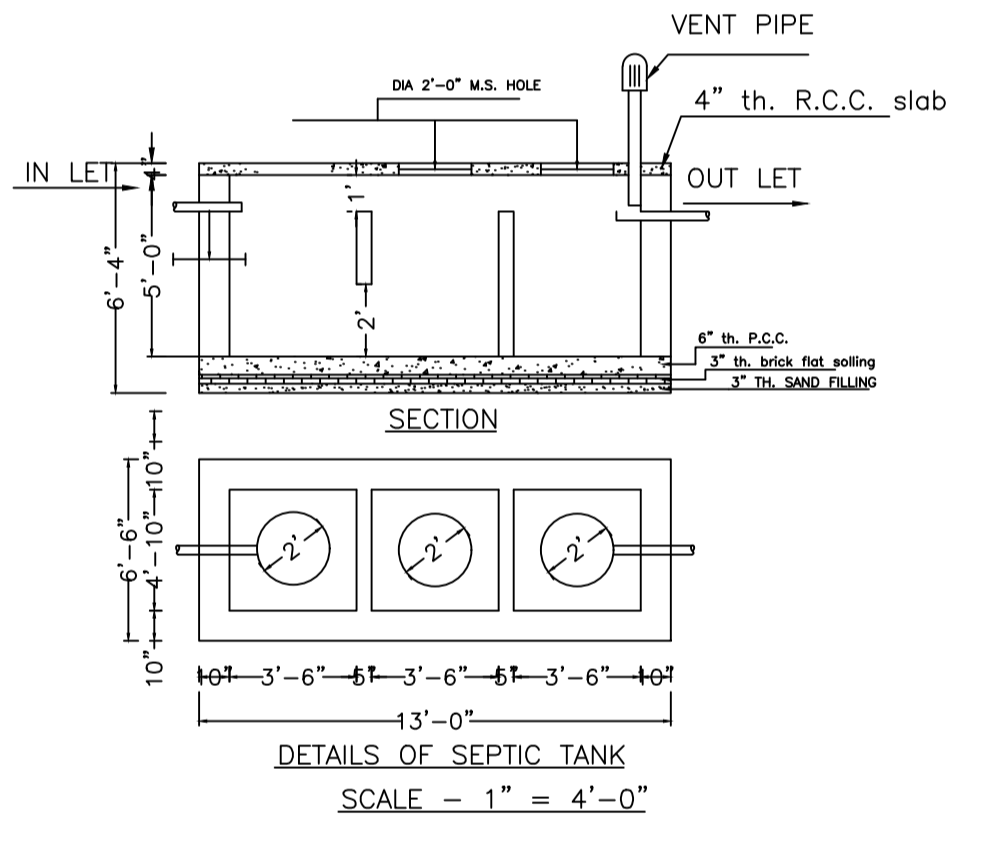
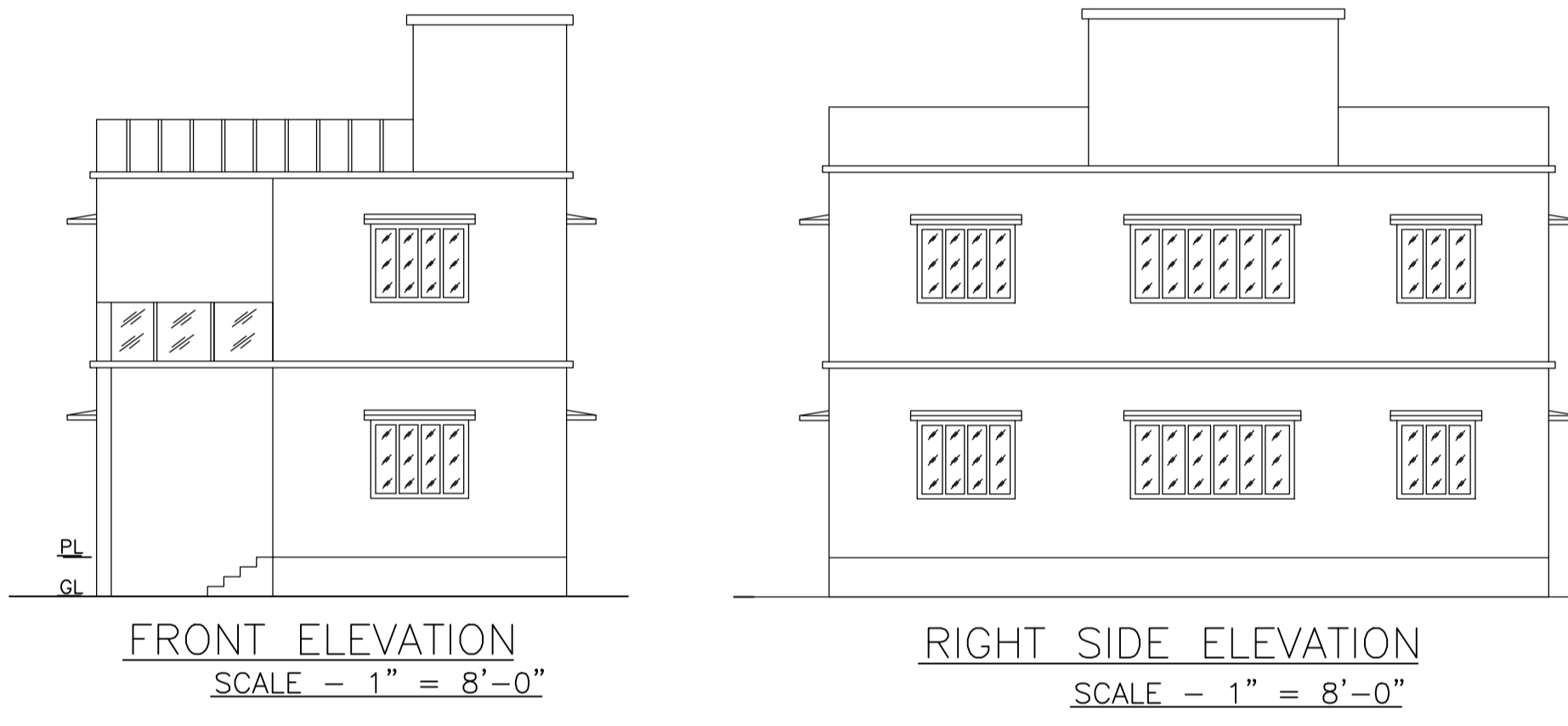
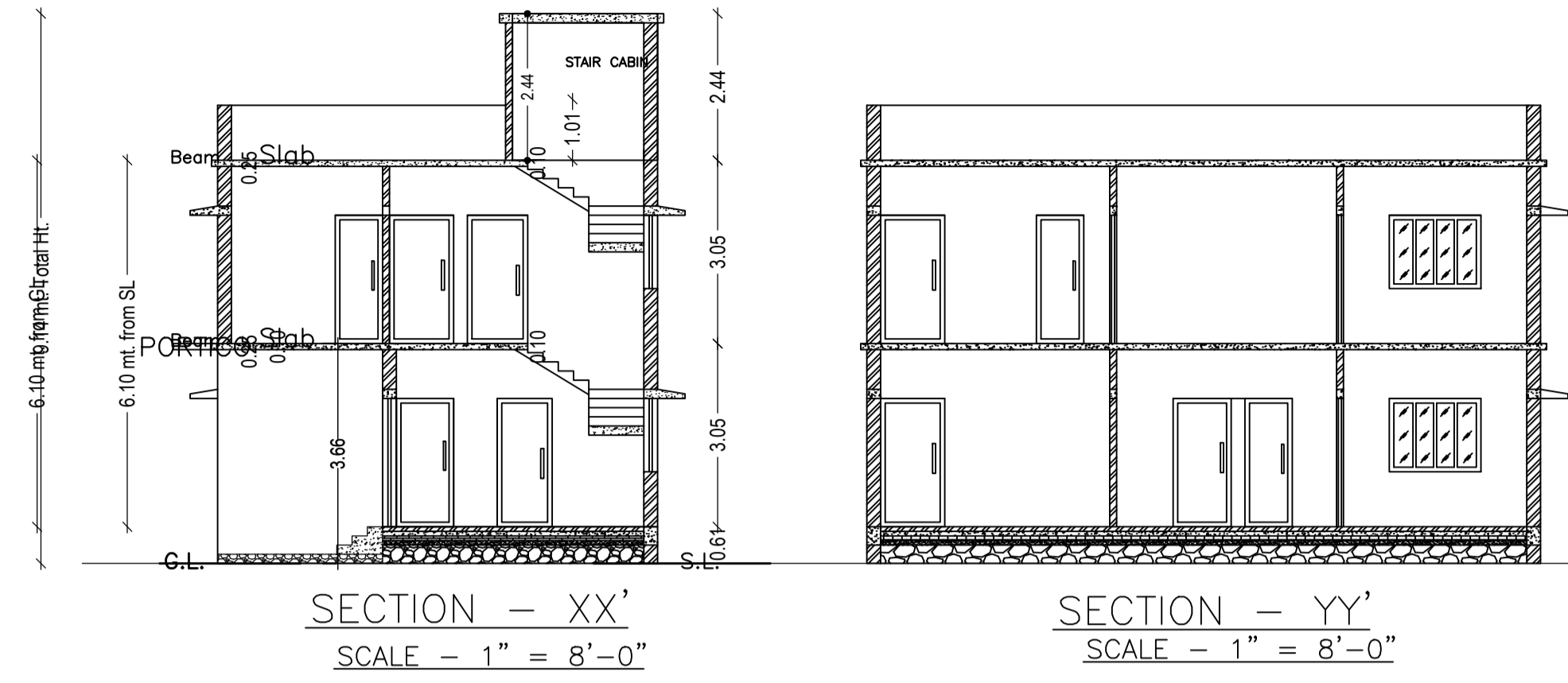
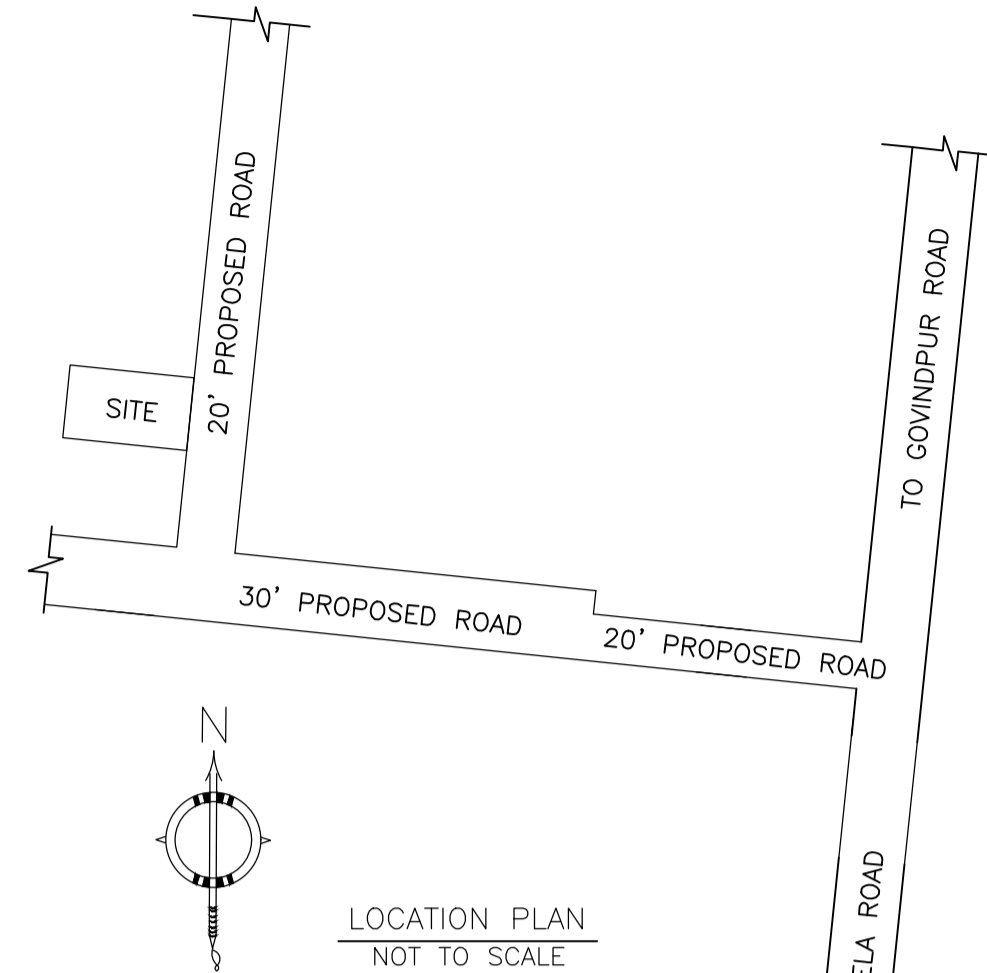
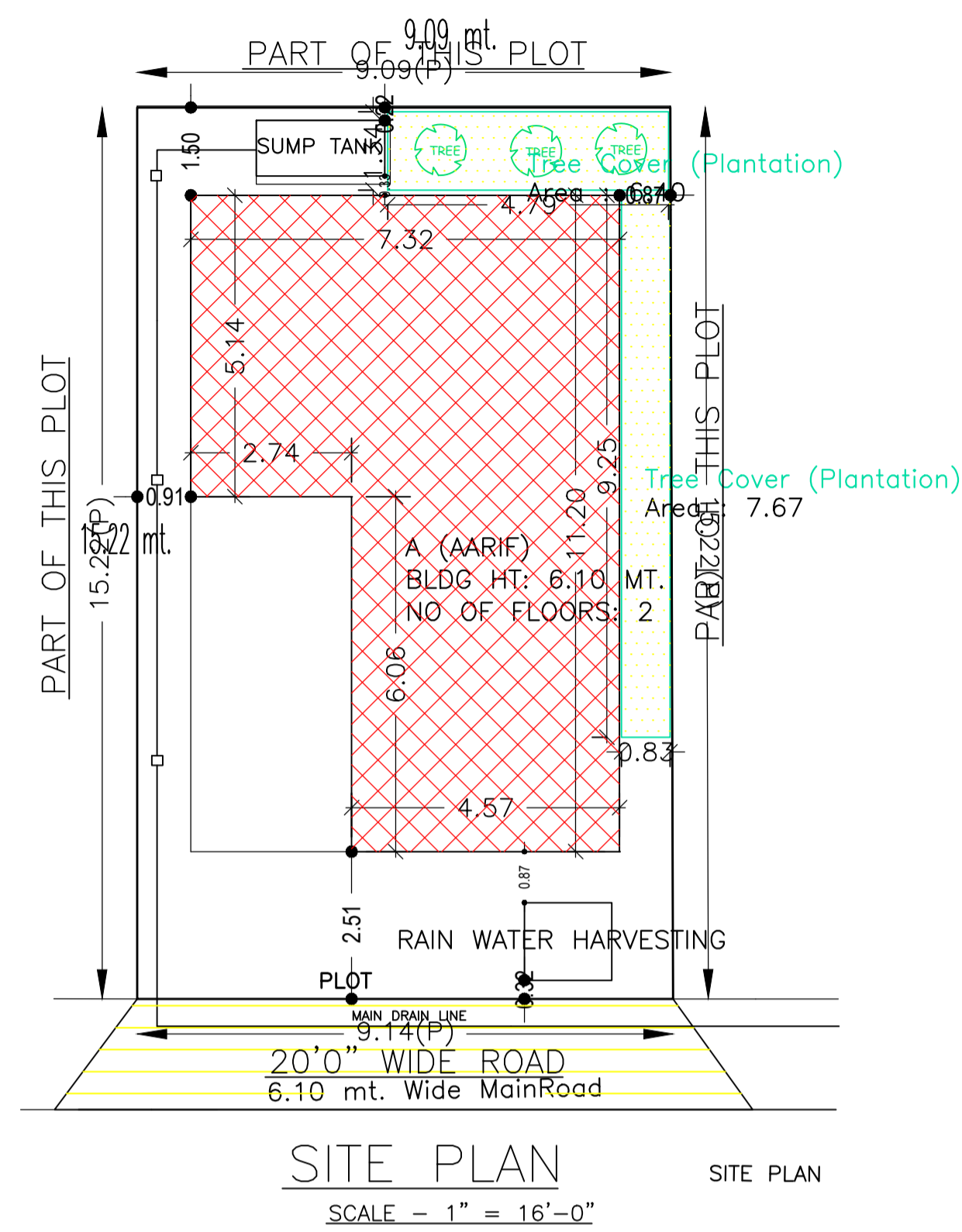
FAR & Tenement Details (Table 4c-1)								
Building	No. of Same Bldg	Total Built Up Area (Sq.mt.)	Deductions (Area in Sq.mt.)		Proposed FAR Area (Sq.mt.)	Total FAR Area (Sq.mt.)	Total Consumed Additional FAR Area (Sq.mt.)	Trmt (No.)
			Archi.Proj.	Resi.				
A (AARIF)	1	163.88	16.62	147.26	147.26	147.26	01	
Grand Total :	1	163.88	16.62	147.26	147.26	147.26	01	

LTP NAME AND SIGNATURE
RAM PRATAP SINGH
MADA/ARC/0024/2019

STRUCTURAL ENG'S NAME AND SIGNATURE

BUILDER NAME AND SIGNATURE

DIGITAL SIGNATURE



SCHEDULE OF DOOR:

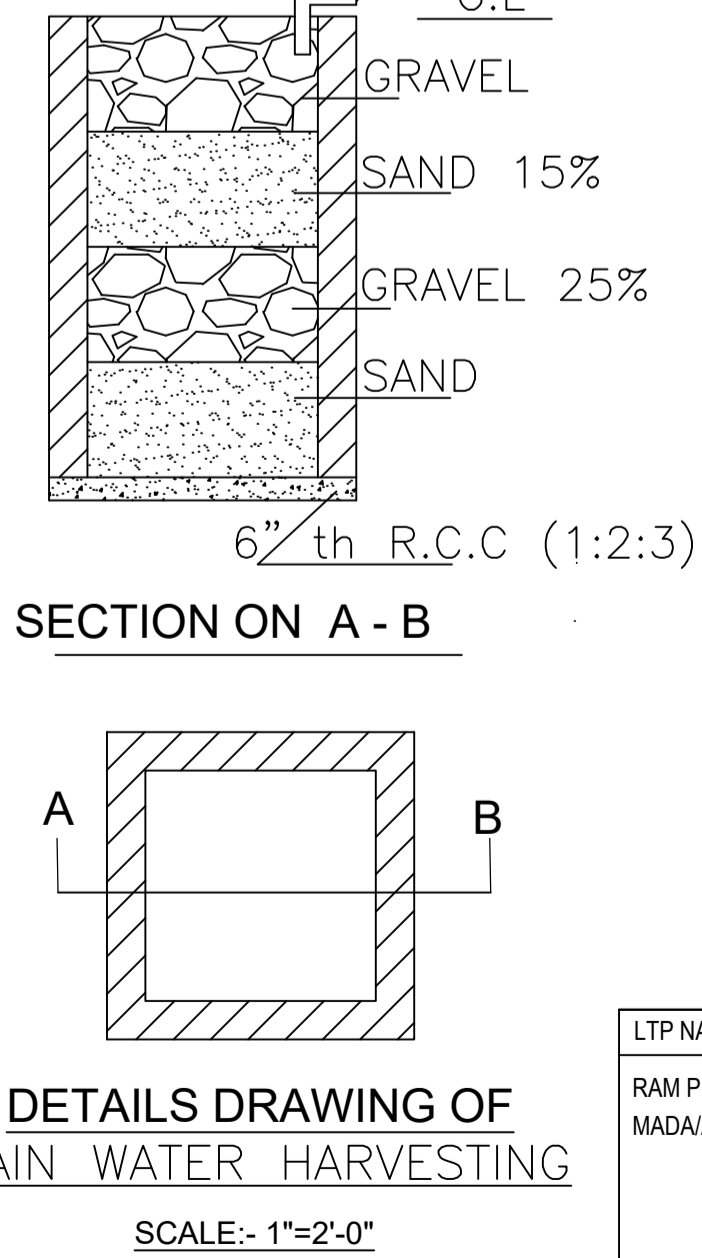
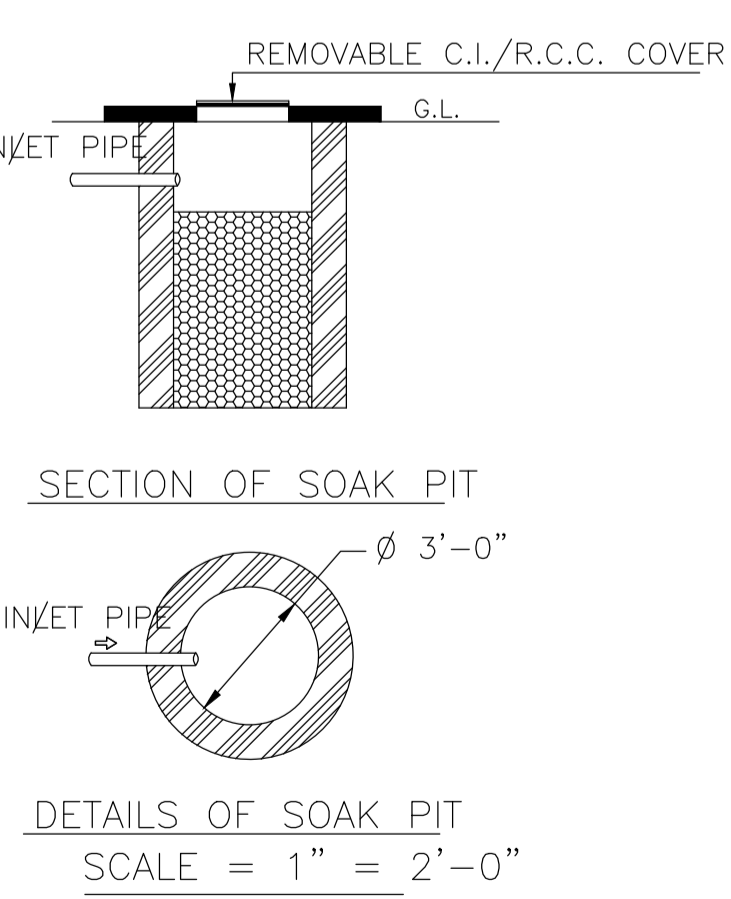
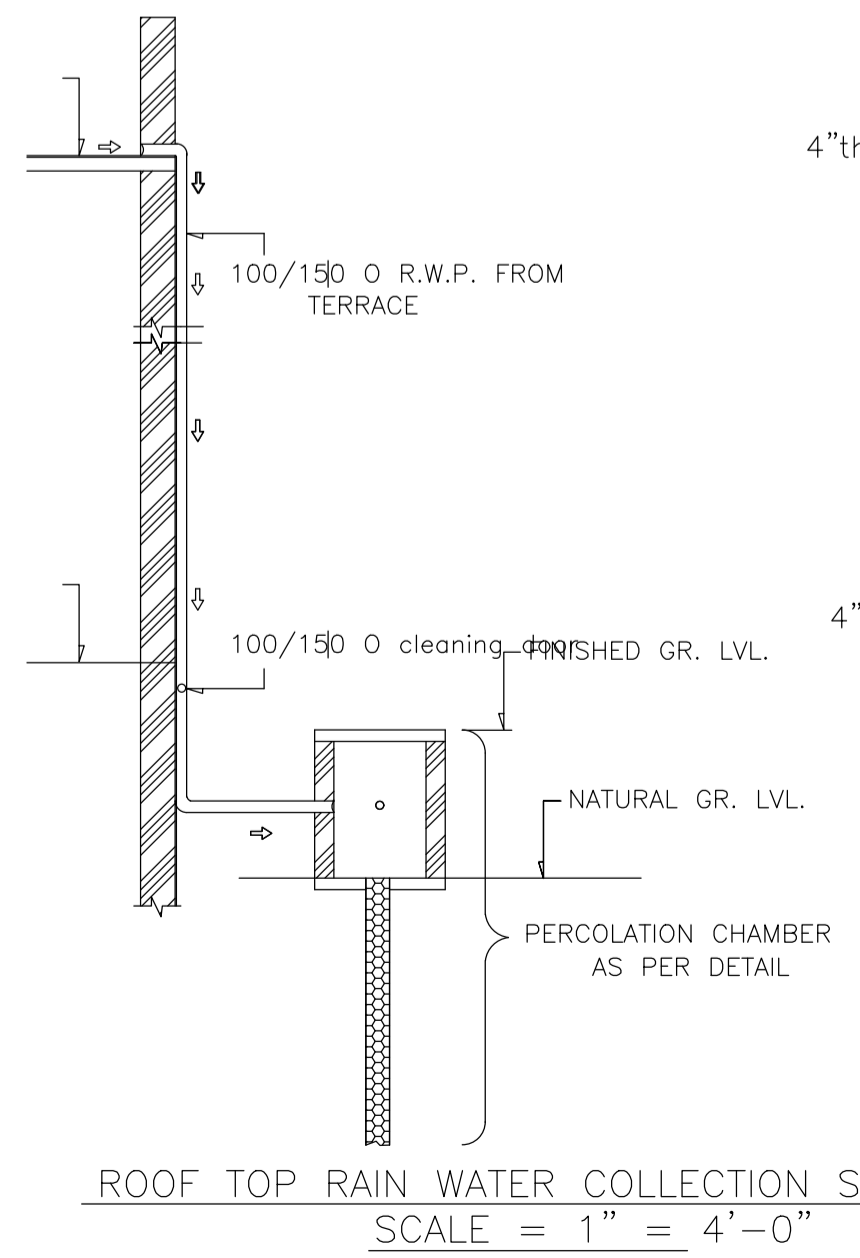
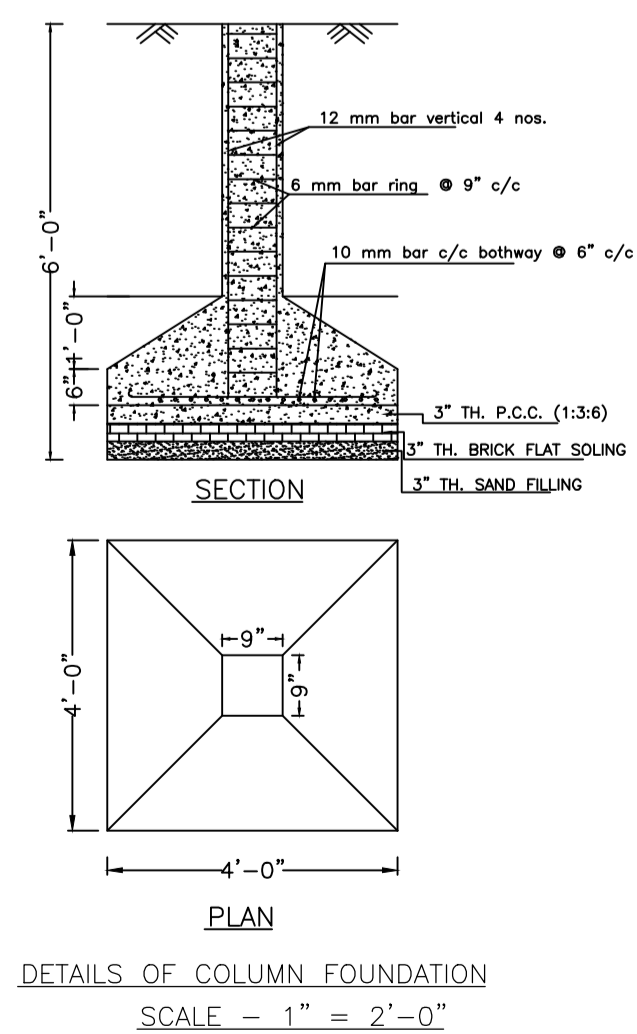
BUILDING NAME	NAME	LENGTH	HEIGHT	NOS
A (AARIF)	D	0.76	2.10	02
A (AARIF)	D	0.79	2.10	01
A (AARIF)	D	0.91	2.10	01
A (AARIF)	D	0.93	2.10	01
A (AARIF)	D	0.97	2.10	01
A (AARIF)	D	1.00	2.10	01
A (AARIF)	D	1.07	2.10	04
A (AARIF)	D	1.52	2.10	01

SCHEDULE OF WINDOW/VENTILATION:

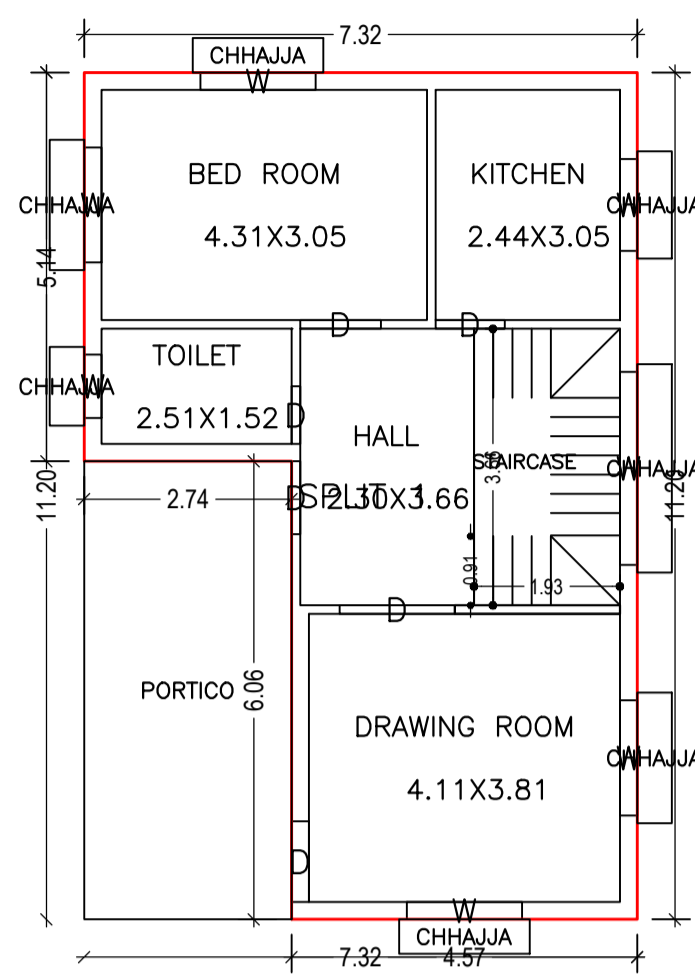
BUILDING NAME	NAME	LENGTH	HEIGHT	NOS
A (AARIF)	W	0.84	1.20	03
A (AARIF)	W	1.22	1.20	01
A (AARIF)	W	1.52	1.20	10
A (AARIF)	W	2.55	1.20	02

Building :A (AARIF)

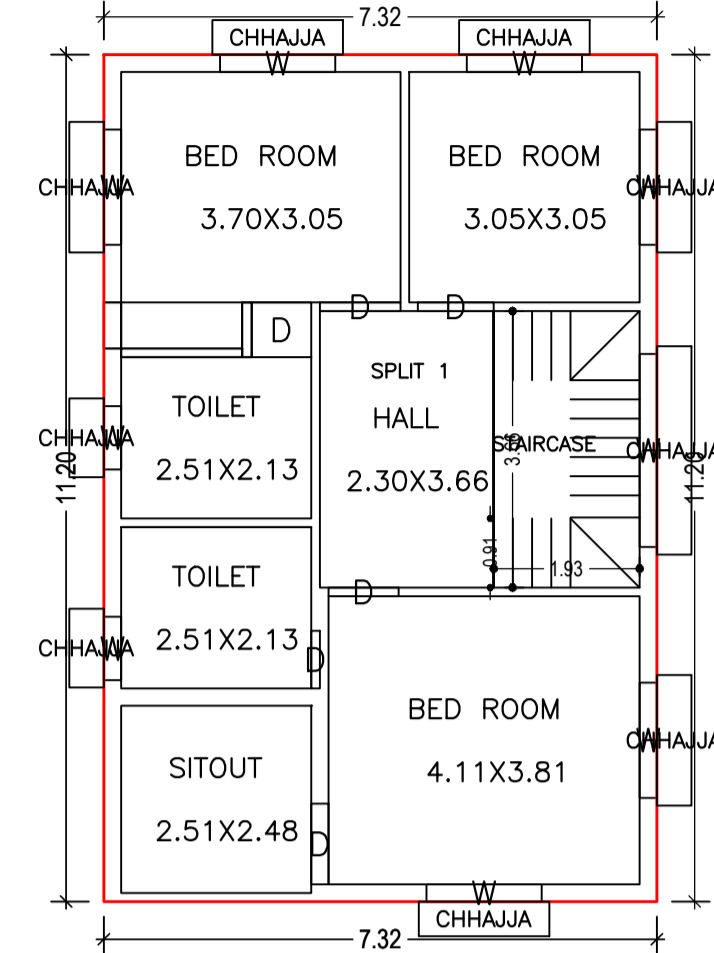
Floor Name	Total Built Up Area (Sq.mt.)	Deductions (Area in Sq.mt.)	Proposed FAR Area (Sq.mt.)	Total FAR Area (Sq.mt.)	Total Consumed Additional FAR Area (Sq.mt.)	Trmt (No.)
Ground Floor	81.94	16.62	65.32	65.32	65.32	01
First Floor	81.94	0.00	81.94	81.94	81.94	00
Terrace Floor	0.00	0.00	0.00	0.00	0.00	00
Total :	163.88	16.62	147.26	147.26	147.26	01
Total Number of Same Buildings :	1					
Total :	163.88	16.62	147.26	147.26	147.26	01



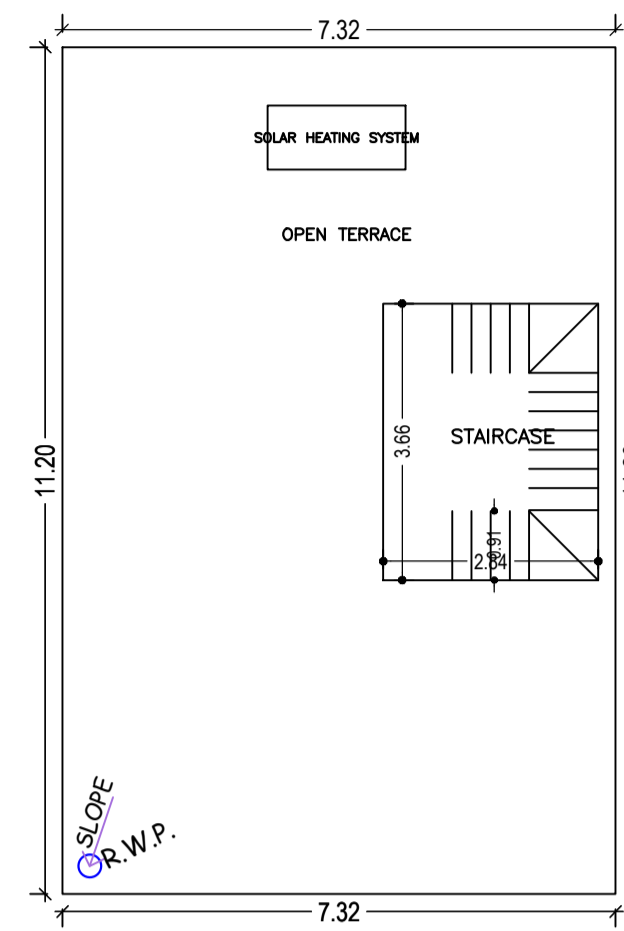
Proposal Basic Information	
Proposal File No.	MADA/BP/0195/2021
Owner Name	AARIF HUSSAIN
Khata No	OLD KHATA NO-16, NEW KHATA NO-14
Plot No	OLD PLOT NO. 71, NEW PLOT NO. 196
Village Name	Tilakraydih
Use	Residential
SubUse	Bungalow/ Dwelling / Non Apartment



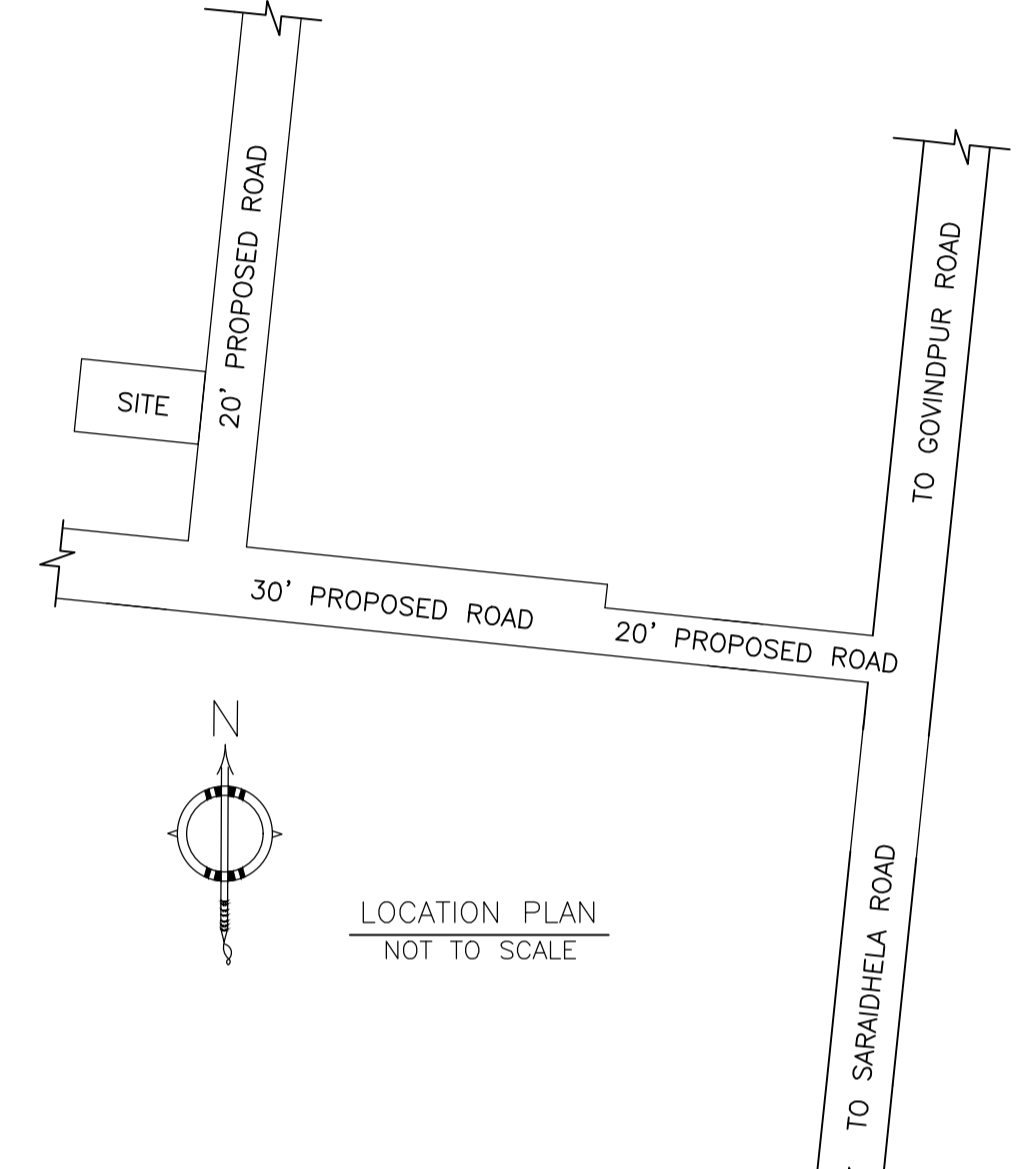
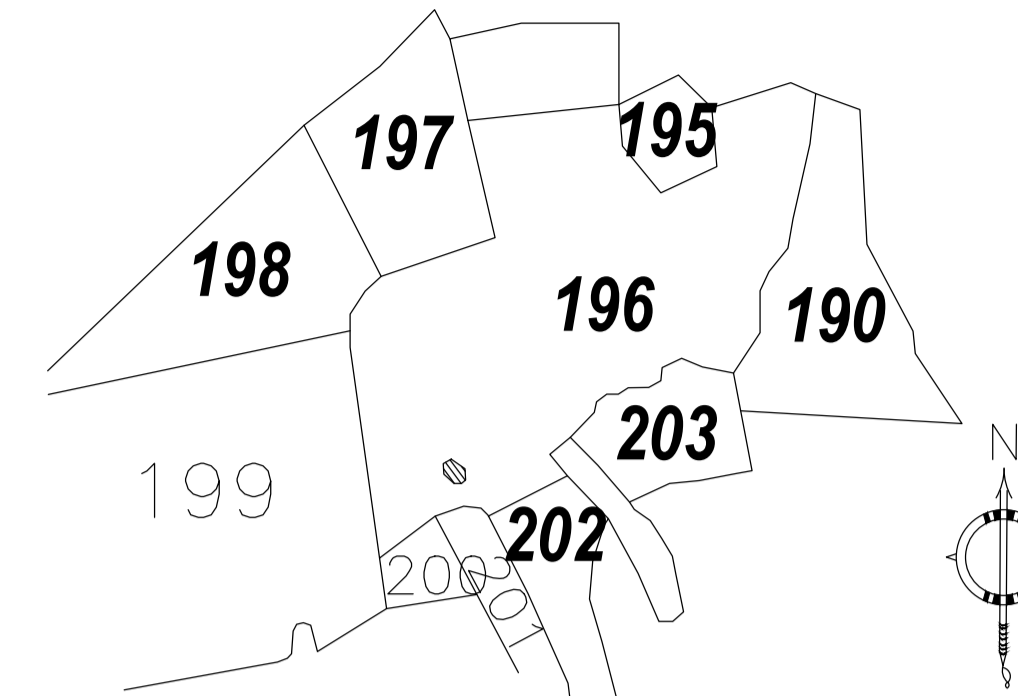
GROUND FLOOR PLAN
(Proposed)
(SCALE 1:100)



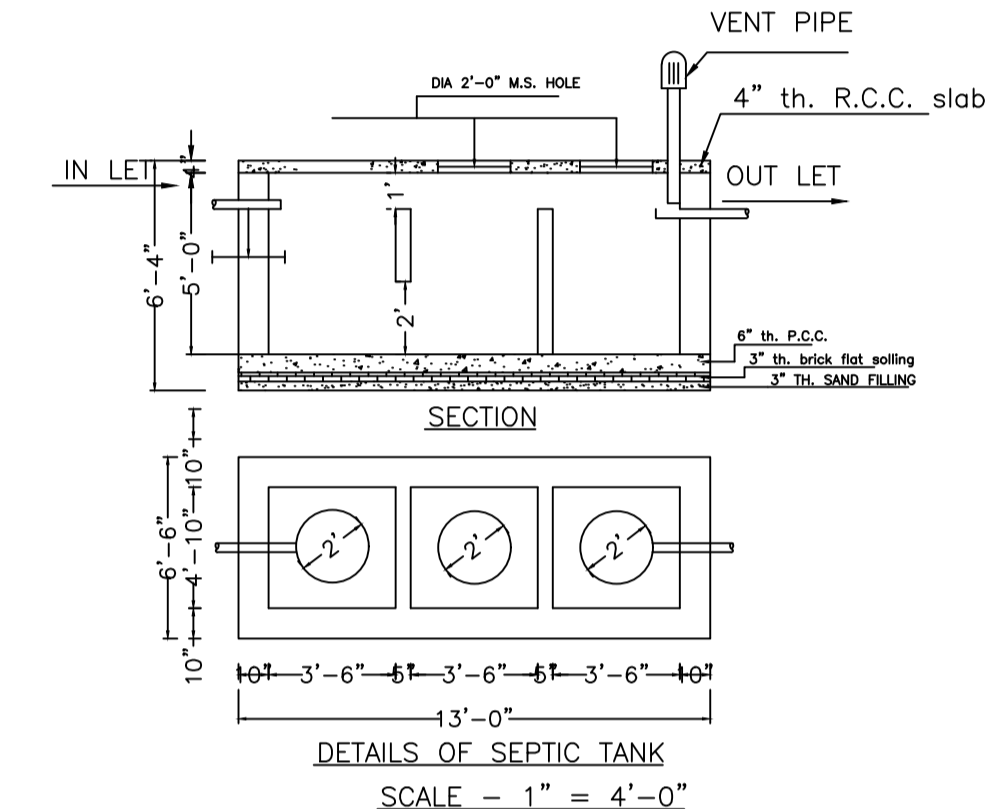
FIRST FLOOR PLAN
(Proposed)
(SCALE 1:100)



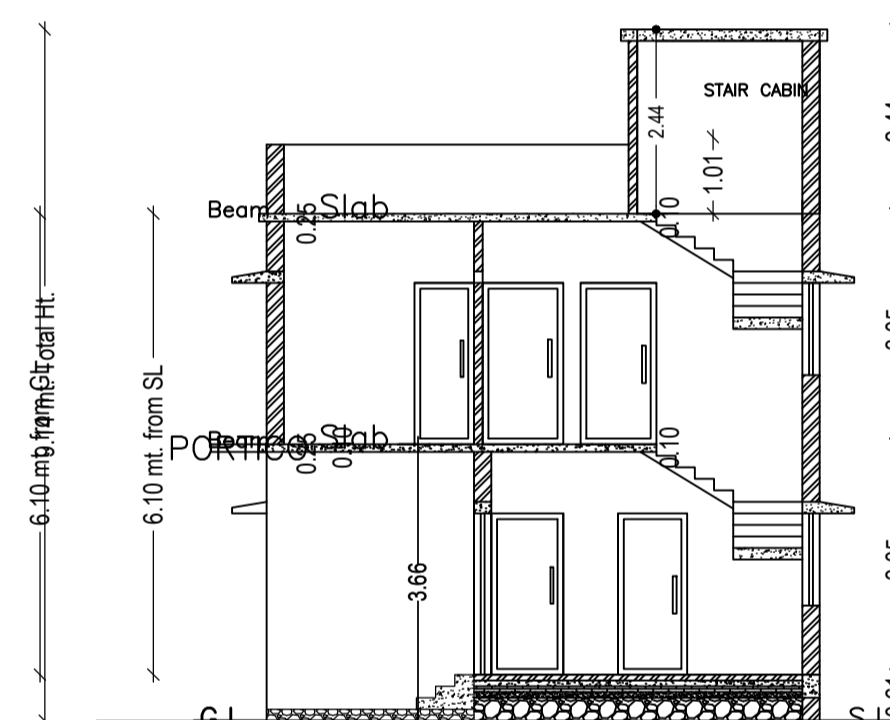
TERRACE FLOOR PLAN
(SCALE 1:100)



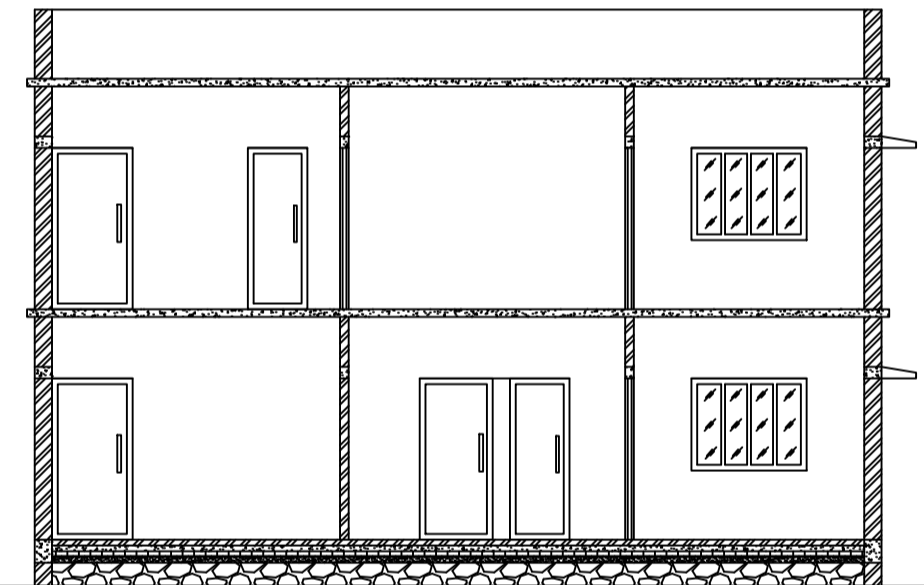
LOCATION PLAN
NOT TO SCALE



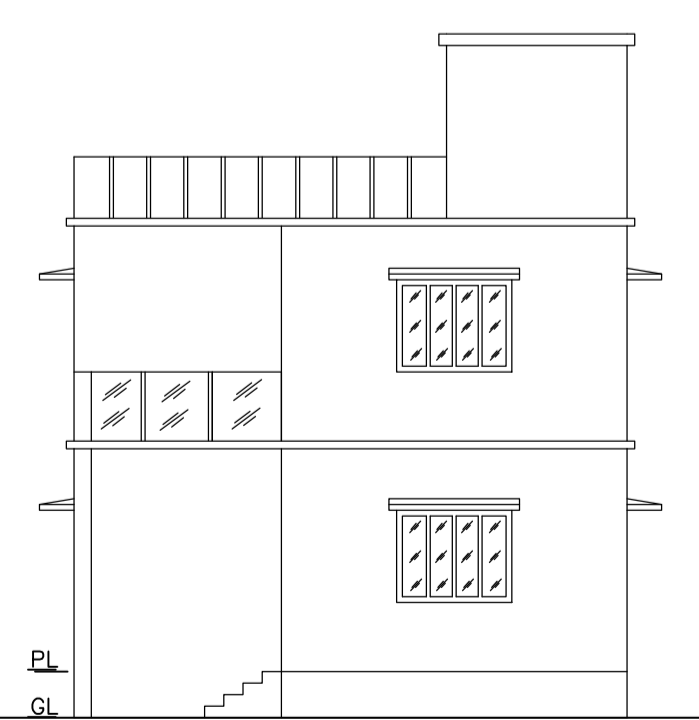
DETAILS OF SEPTIC TANK
SCALE - 1" = 4'-0"



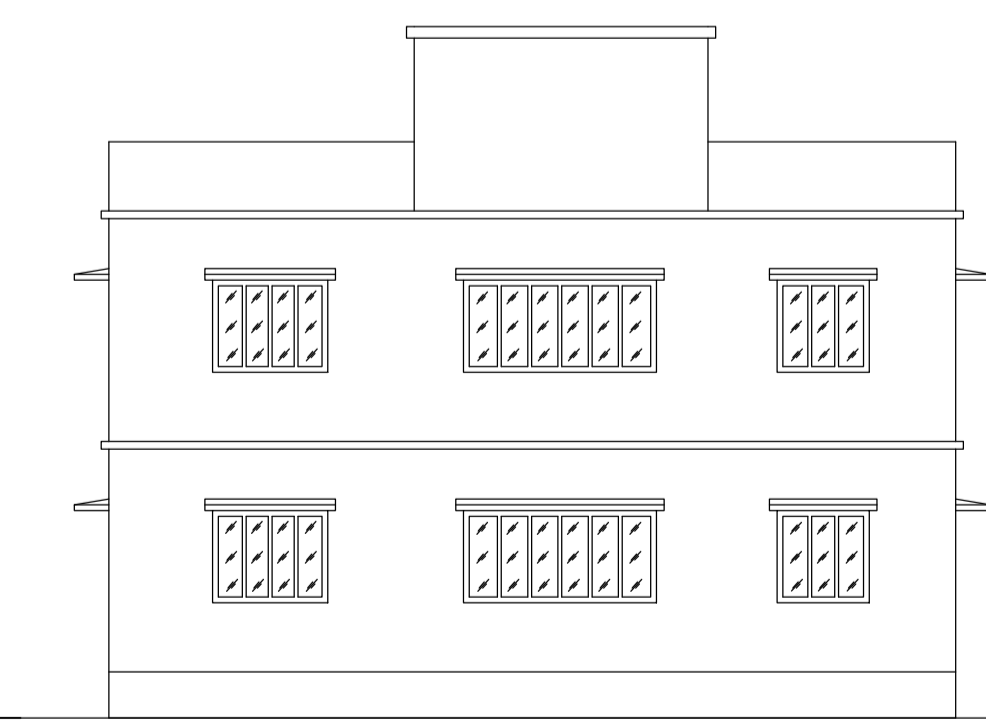
SECTION - XX'
SCALE - 1" = 8'-0"



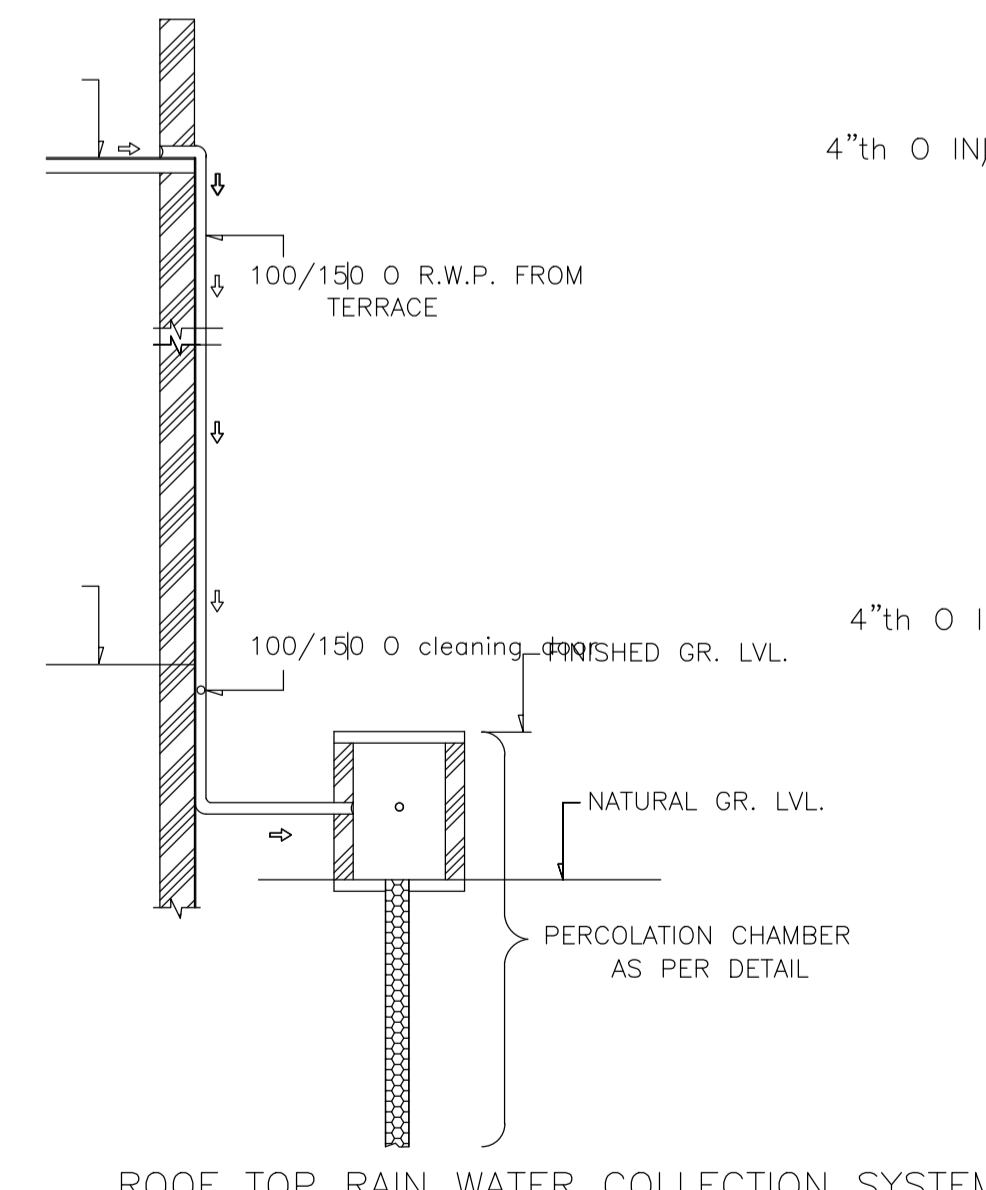
SECTION - YY'
SCALE - 1" = 8'-0"



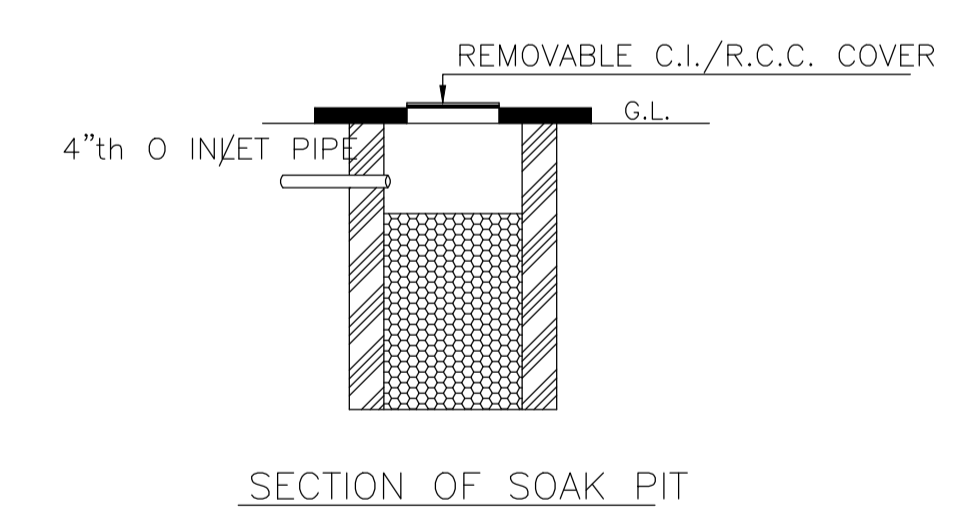
FRONT ELEVATION
SCALE - 1" = 8'-0"



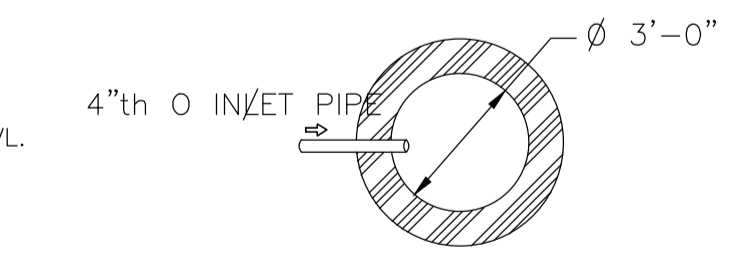
RIGHT SIDE ELEVATION
SCALE - 1" = 8'-0"



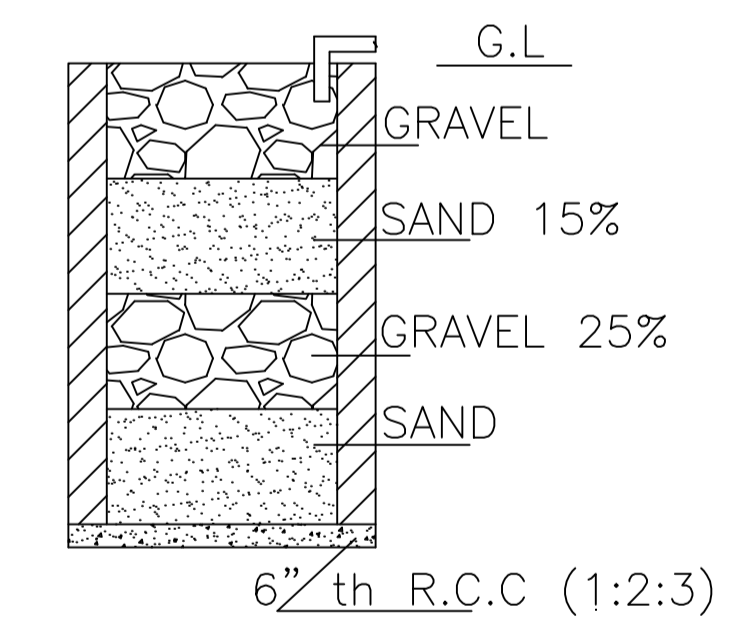
ROOF TOP RAIN WATER COLLECTION SYSTEM
SCALE = 1" = 4'-0"



SECTION OF SOAK PIT

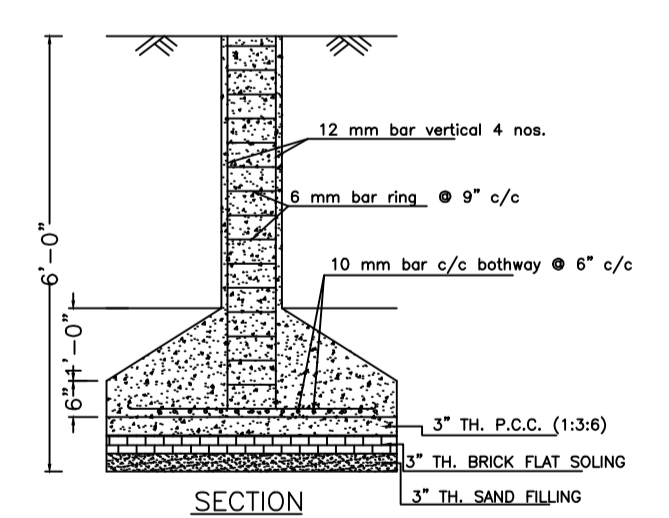


DETAILS OF SOAK PIT
SCALE = 1" = 2'-0"

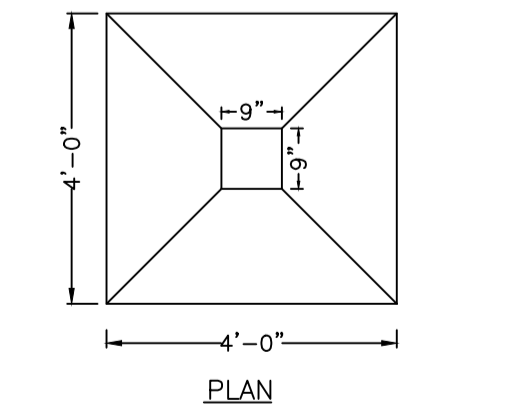


SECTION ON A - B

DETAILS DRAWING OF
RAIN WATER HARVESTING
SCALE:- 1"=2'-0"



SECTION



PLAN

DETAILS OF COLUMN FOUNDATION
SCALE - 1" = 2'-0"

LTP NAME AND SIGNATURE	STRUCTURAL ENG'S NAME AND SIGNATURE	BUILDER NAME AND SIGNATURE	DIGITAL SIGNATURE
RAM PRATAP SINGH MADA/ARC/0024/2019			