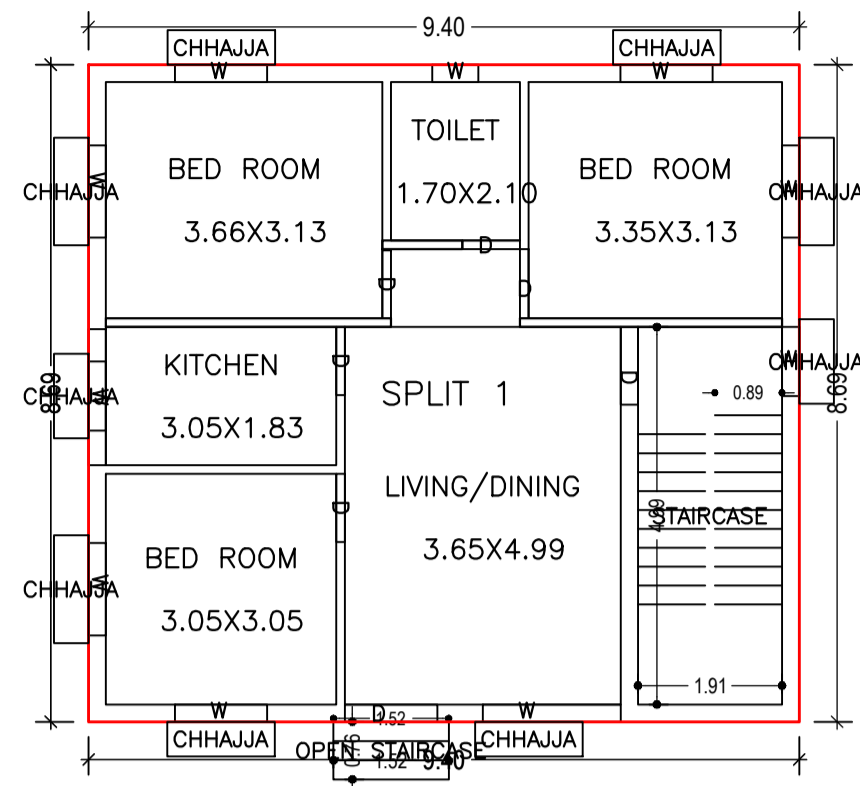
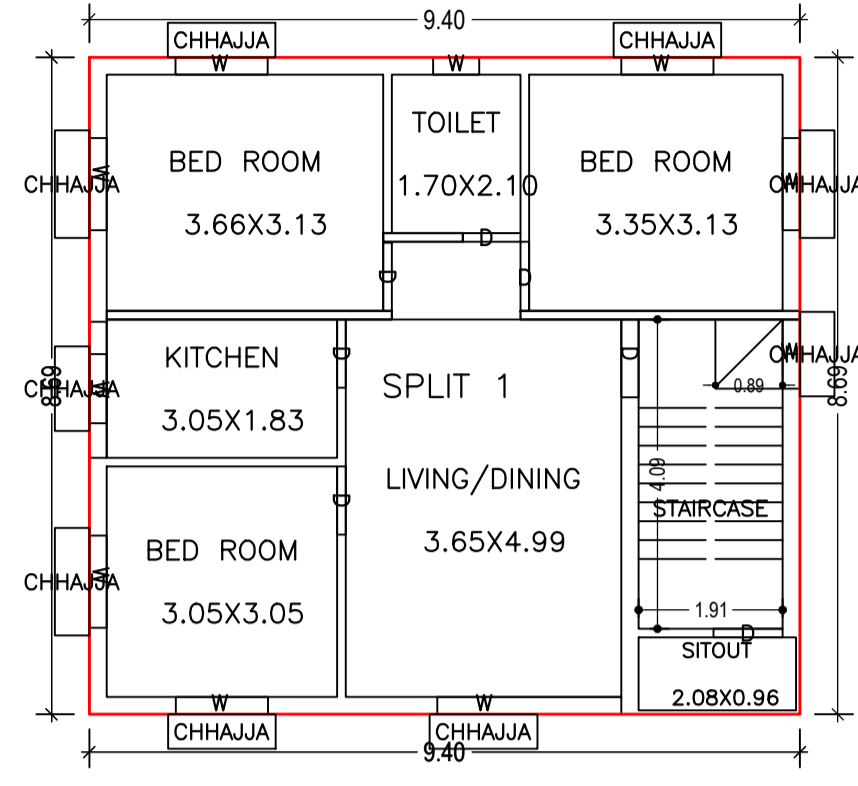


Proposal Basic Information

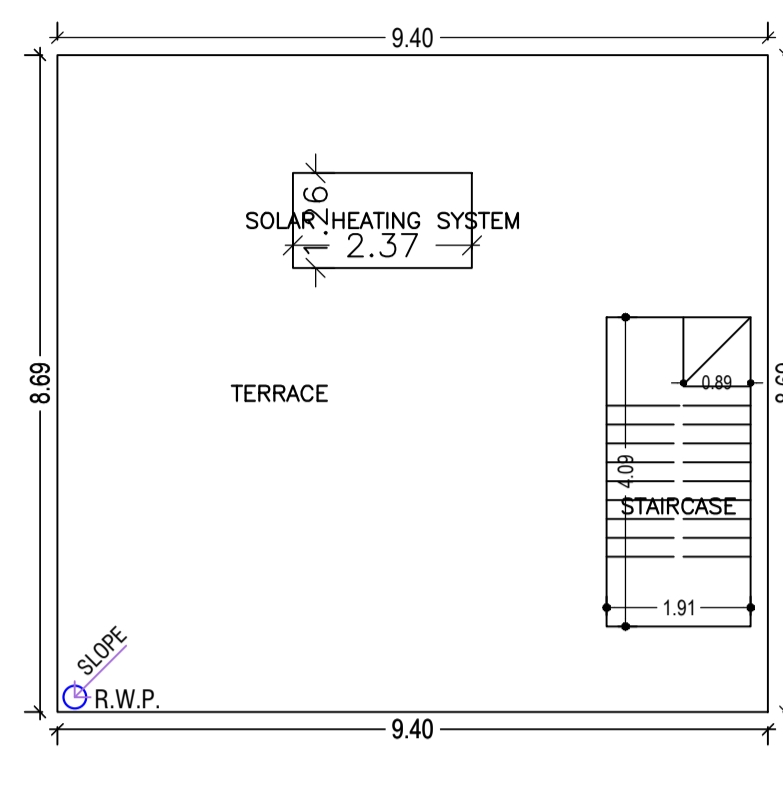
Proposal File No.	MADA/BP/0187/2021
Owner Name	SRI. RABINDRA PRASAD
Khata No	OLD KHATA NO-20, NEW KHATA NO-19
Plot No	OLD PLOT NO. 2515, NEW PLOT NO. 4060
Village Name	Bara Pichri
Use	Residential
SubUse	Bungalow/ Dwelling / Non Apartment



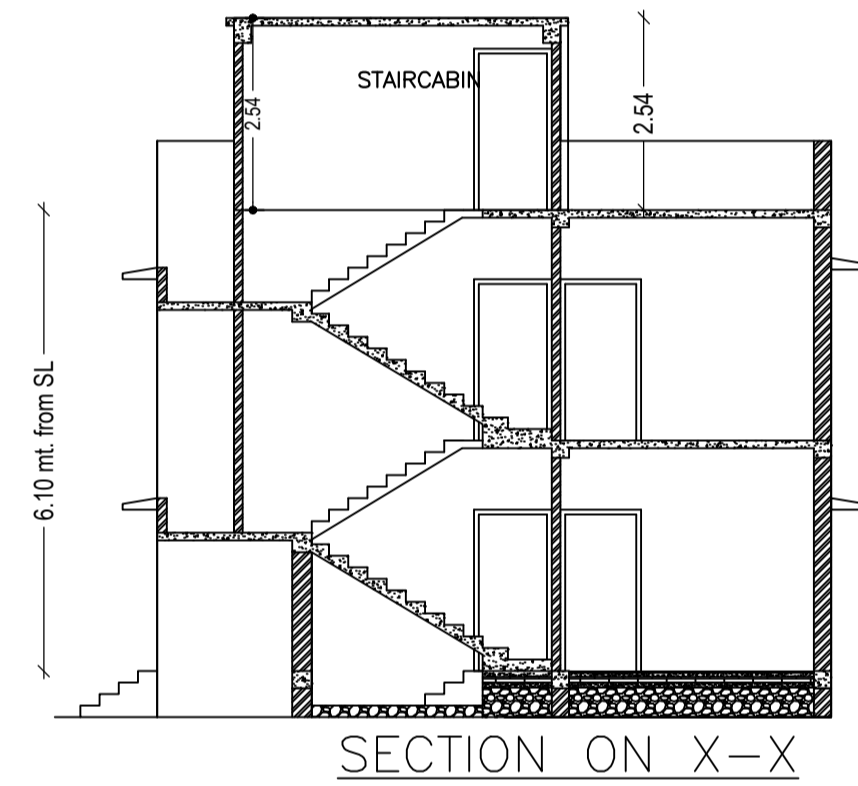
GROUND FLOOR PLAN
(Proposed)
(SCALE 1:100)



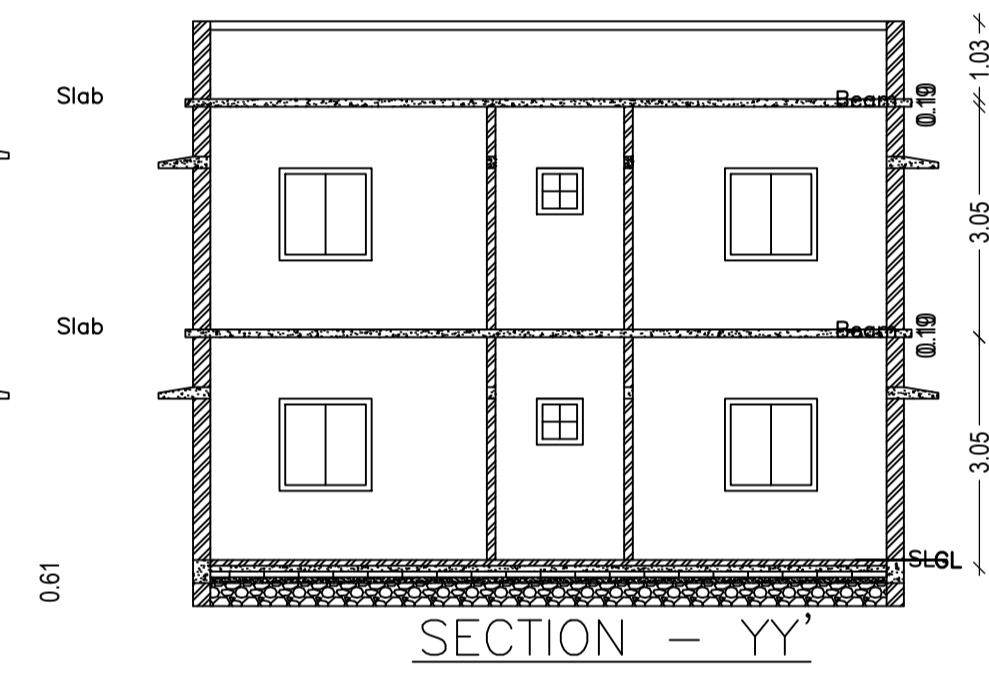
FIRST FLOOR PLAN
(Proposed)
(SCALE 1:100)



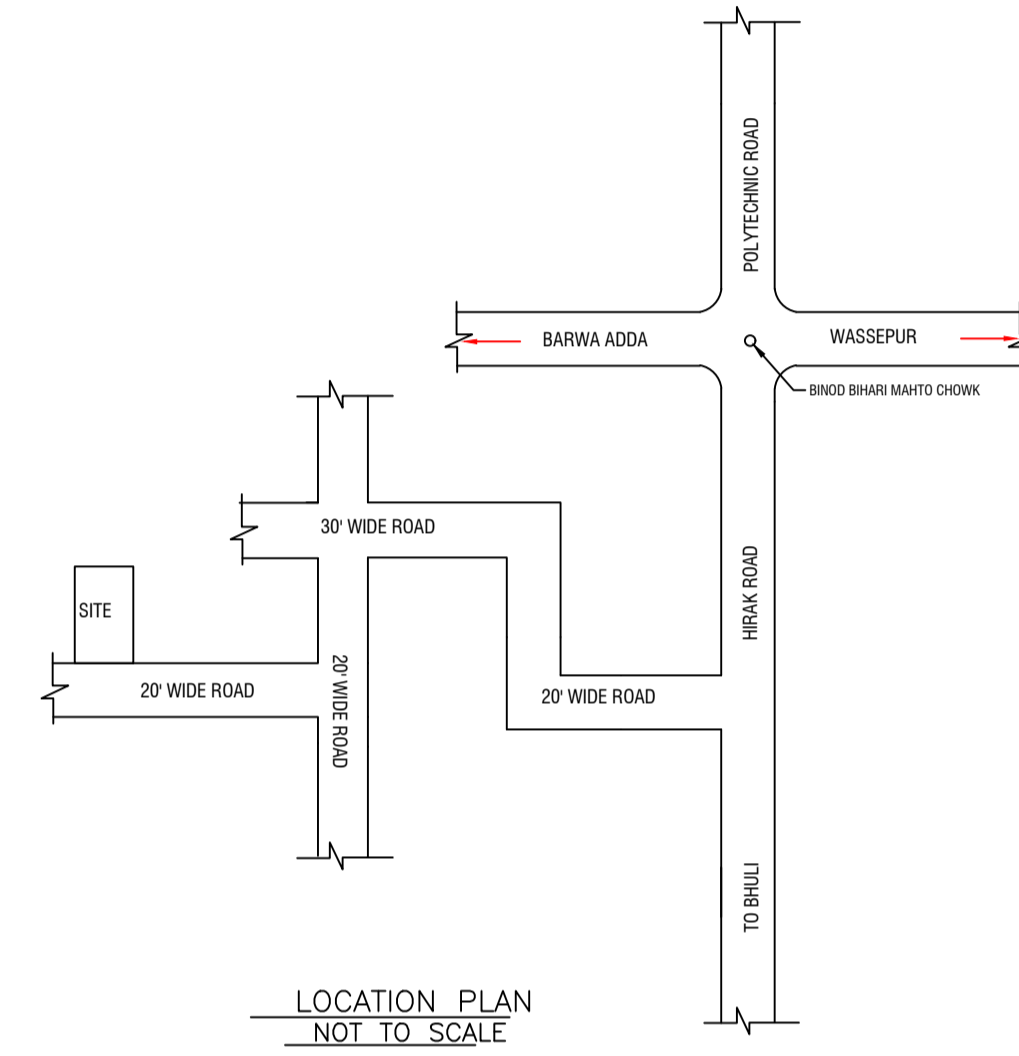
TERRACE FLOOR PLAN
(SCALE 1:100)



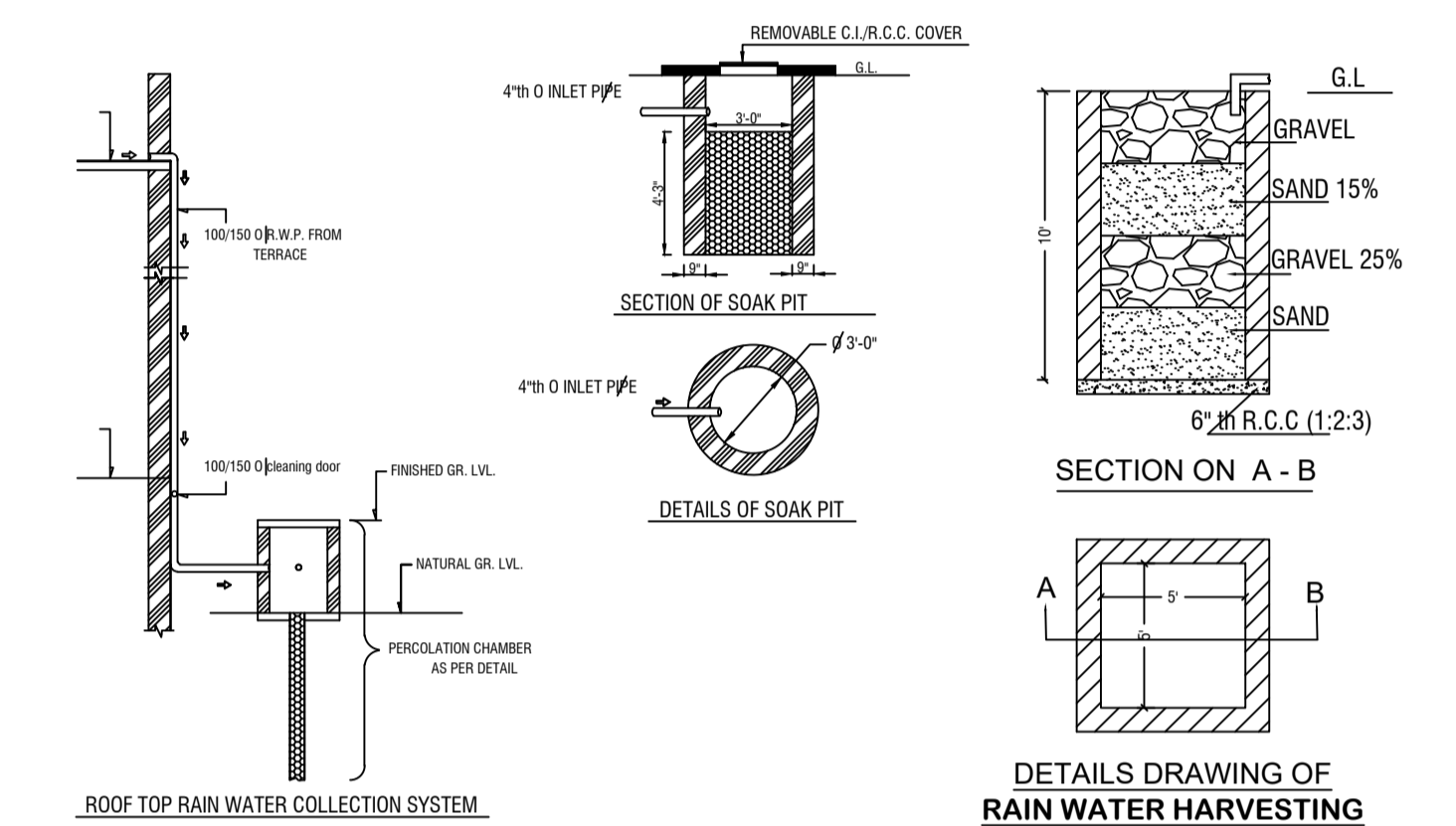
SECTION ON X-X



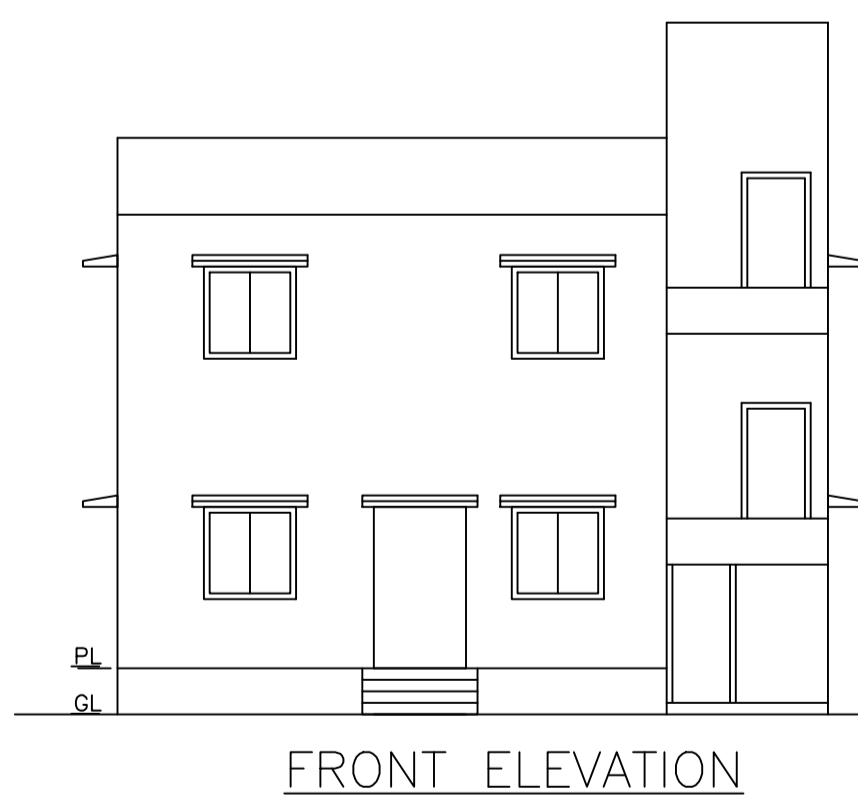
SECTION - YY'



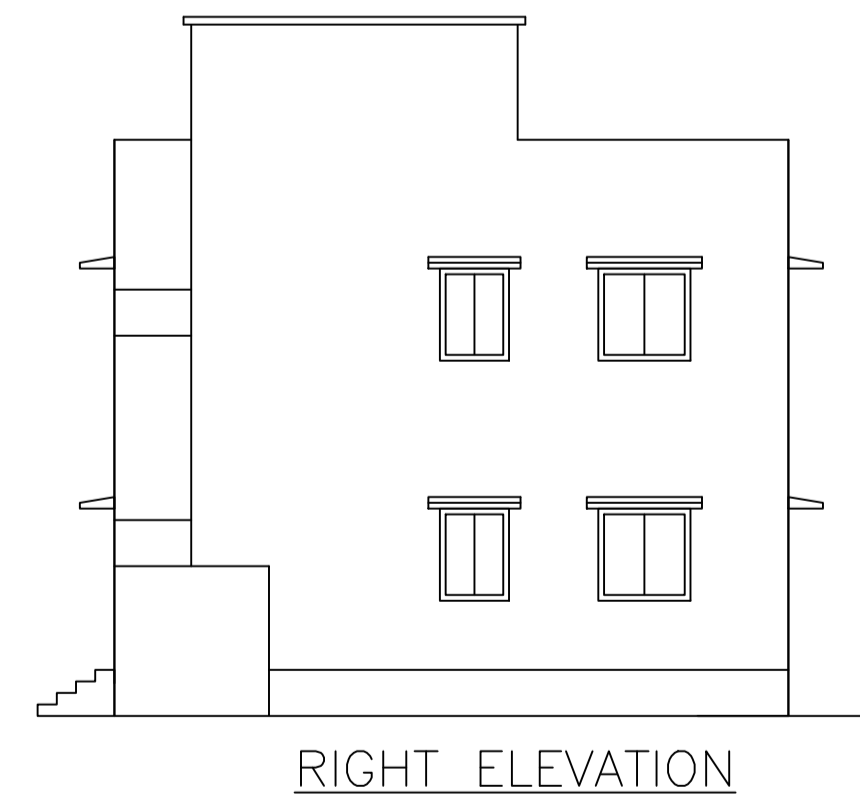
LOCATION PLAN
NOT TO SCALE



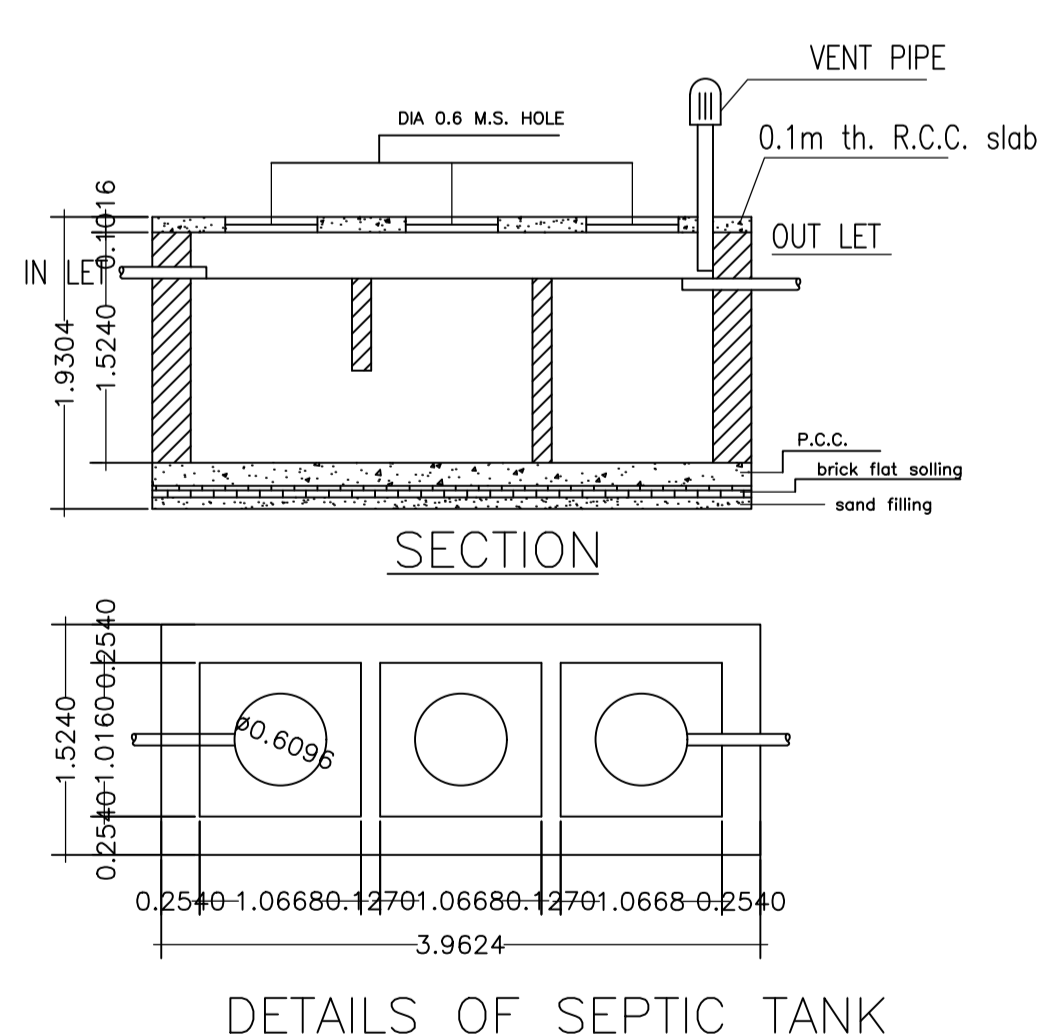
DETAILS DRAWING OF
RAIN WATER HARVESTING



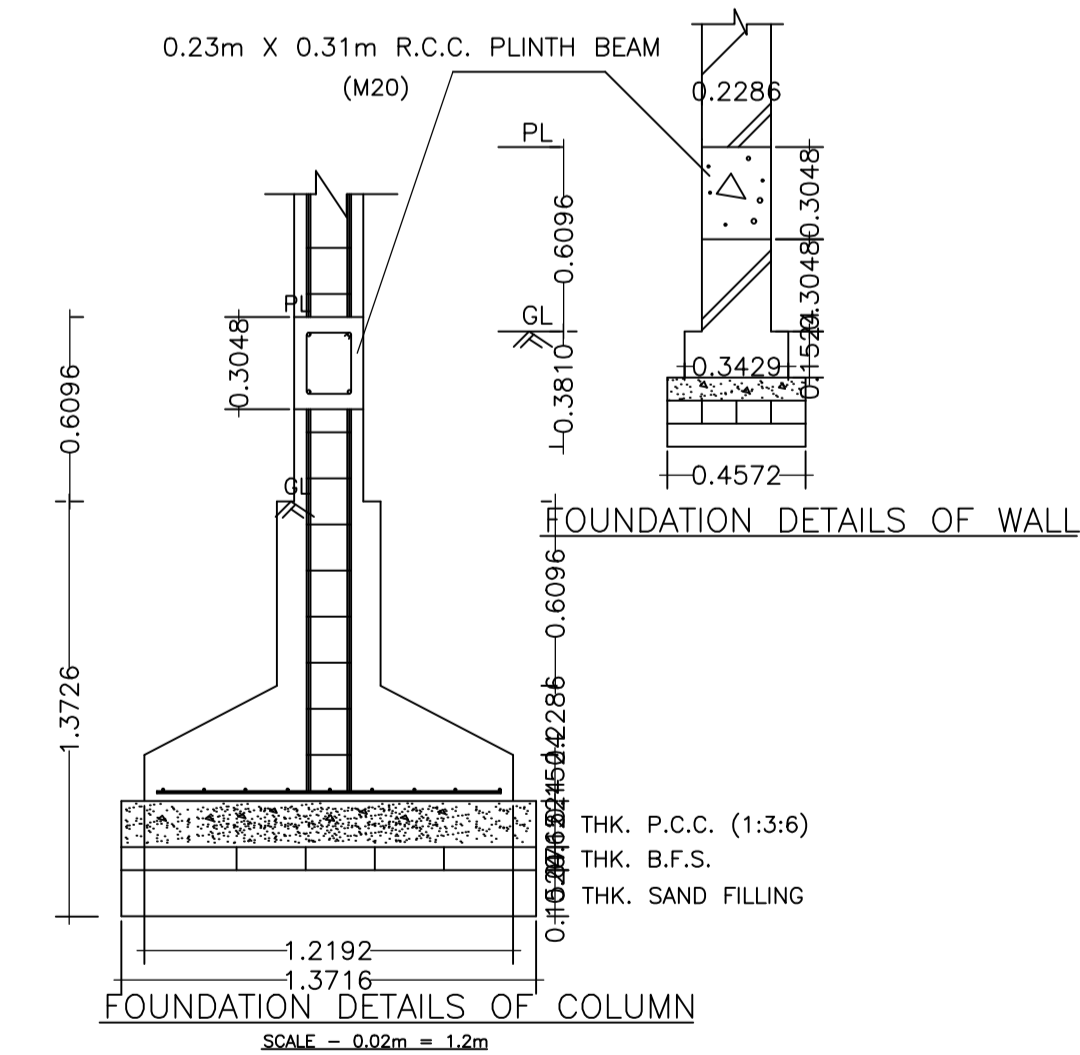
FRONT ELEVATION



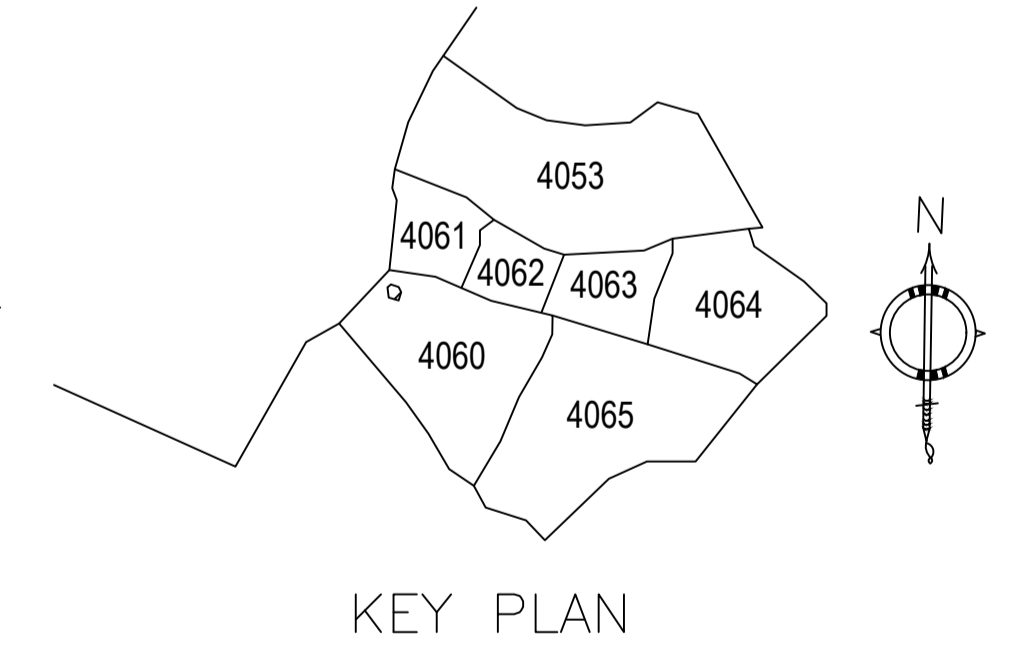
RIGHT ELEVATION



DETAILS OF SEPTIC TANK



FOUNDATION DETAILS OF COLUMN
SCALE = 0.02m = 1.2m



KEY PLAN

LTP NAME AND SIGNATURE	STRUCTURAL ENG'S NAME AND SIGNATURE	BUILDER NAME AND SIGNATURE	DIGITAL SIGNATURE
RAM PRATAP SINGH MADA/ARC/0024/2019			