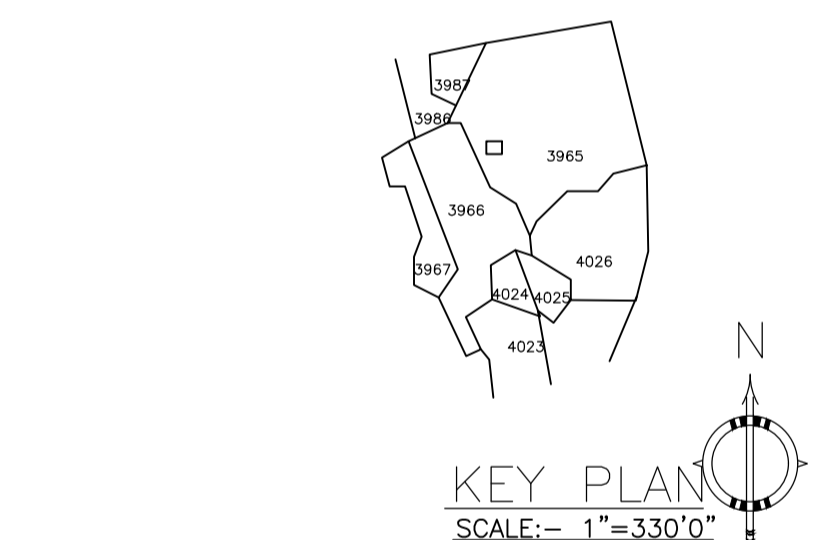


SITE PLAN SCALE - 1" = 16'-0"

SITE PLAN



SCHEDULE OF DOOR:

BUILDING NAME	NAME	LENGTH	HEIGHT	NOS
SHWETA (PLAN)	D2	0.82	2.10	01
SHWETA (PLAN)	D2	0.83	2.10	01
SHWETA (PLAN)	D2	0.84	2.10	01
SHWETA (PLAN)	D1	0.90	2.10	01
SHWETA (PLAN)	D1	0.91	2.10	01
SHWETA (PLAN)	D	0.92	2.10	02
SHWETA (PLAN)	D	0.99	2.10	01
SHWETA (PLAN)	D	1.04	2.10	01
SHWETA (PLAN)	D1	1.19	2.10	01

SCHEDULE OF WINDOW/VENTILATION:

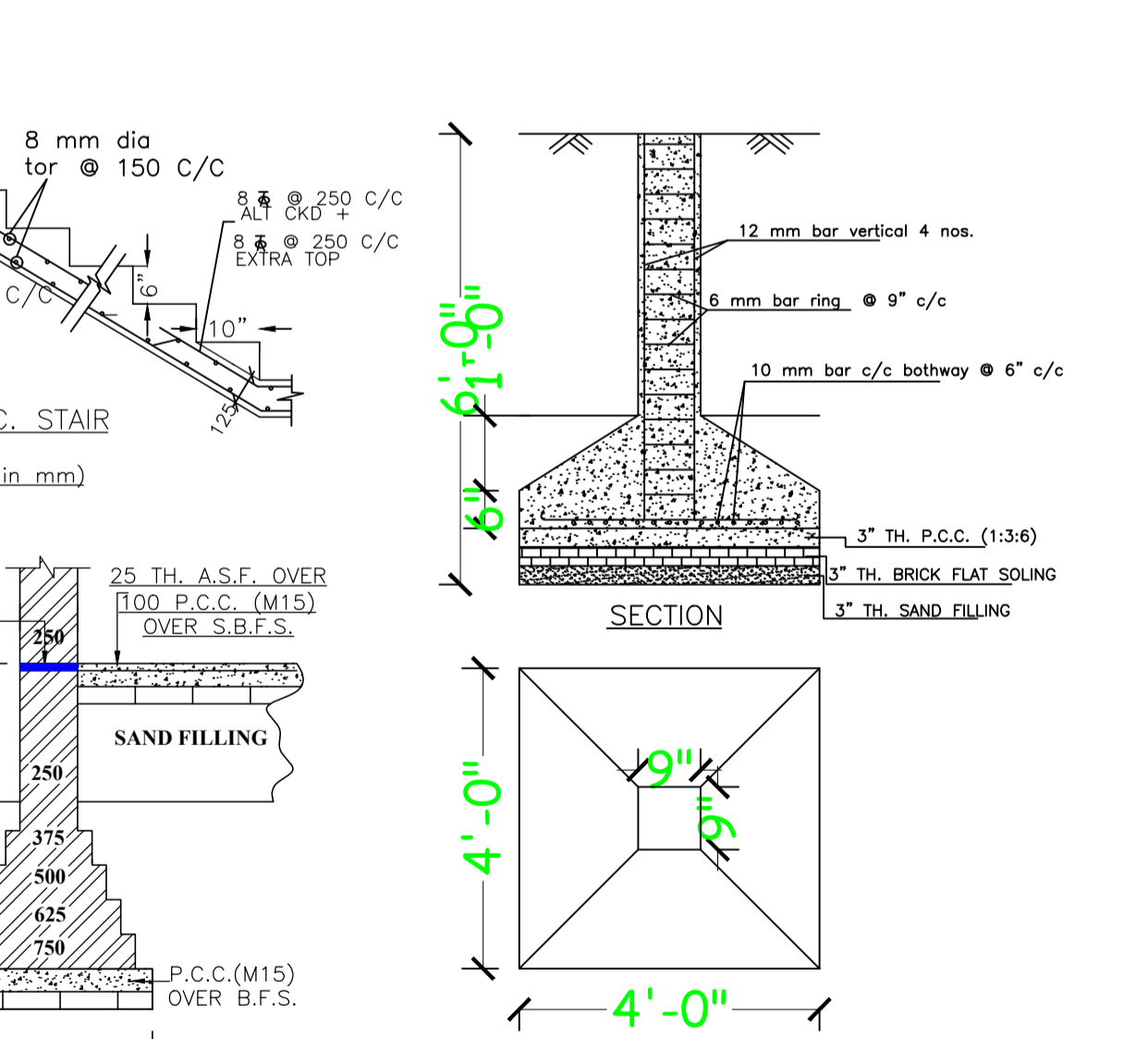
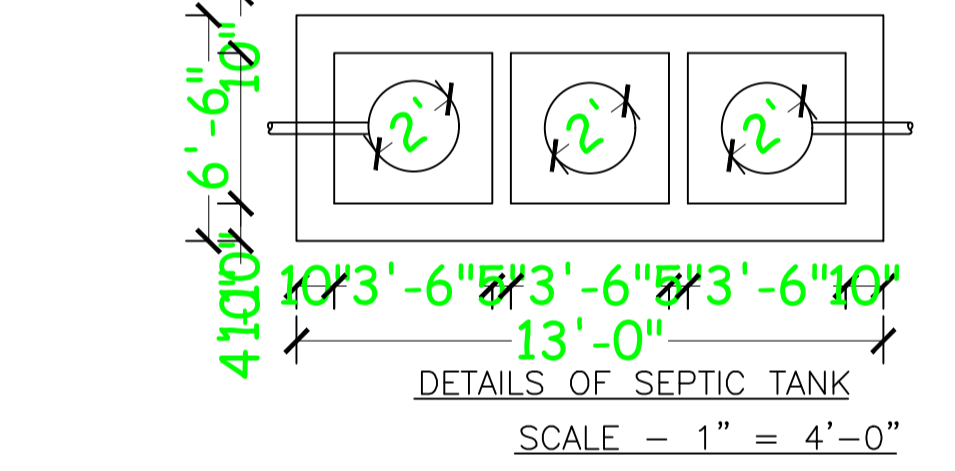
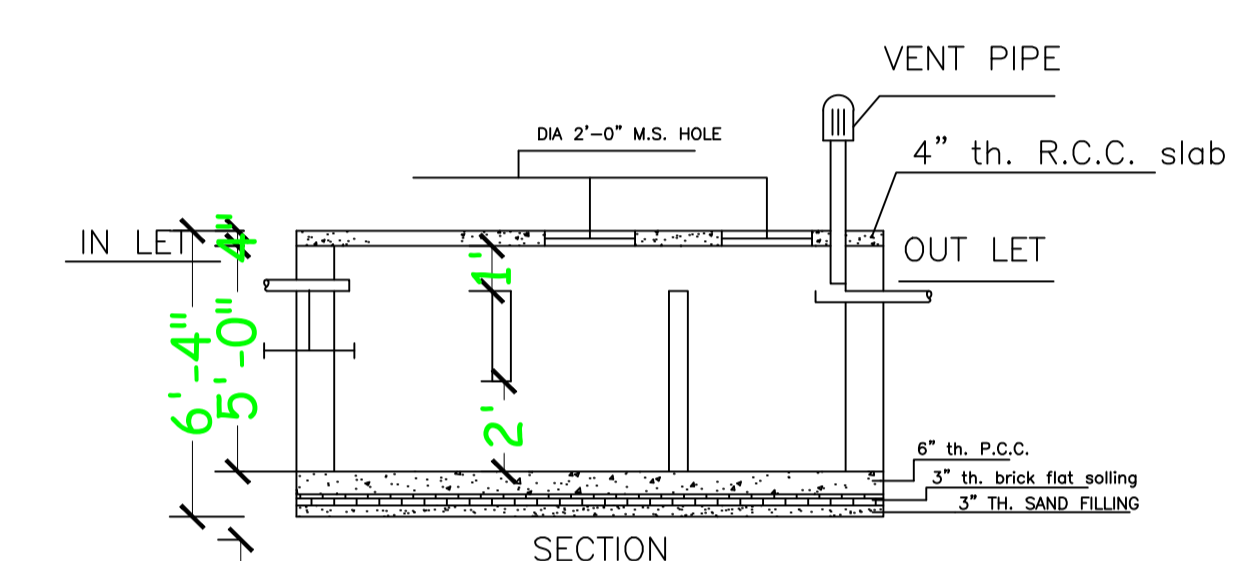
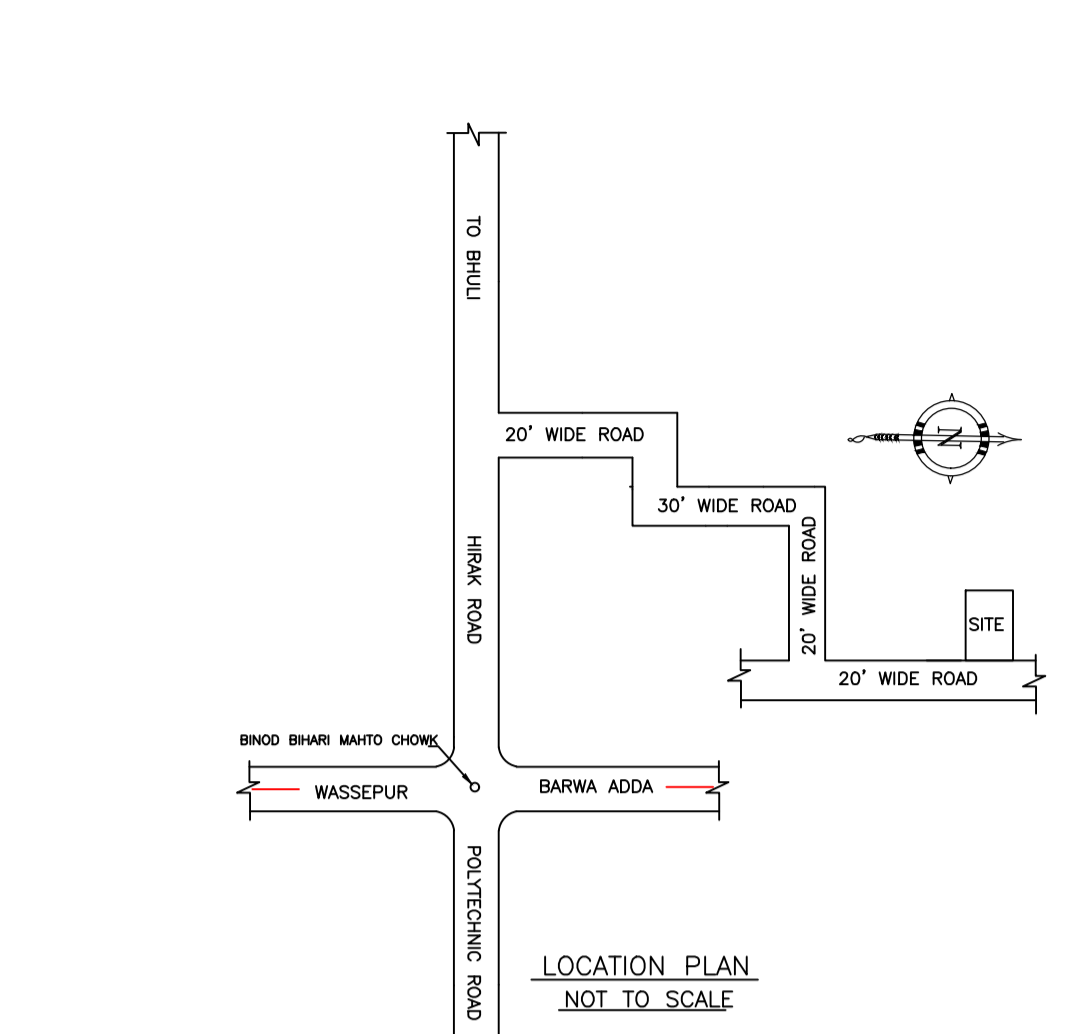
BUILDING NAME	NAME	LENGTH	HEIGHT	NOS
SHWETA (PLAN)	V	0.60	1.20	03
SHWETA (PLAN)	W1	0.90	1.20	01
SHWETA (PLAN)	W	1.19	1.20	12

UnitBUA Table for Building :SHWETA (PLAN)

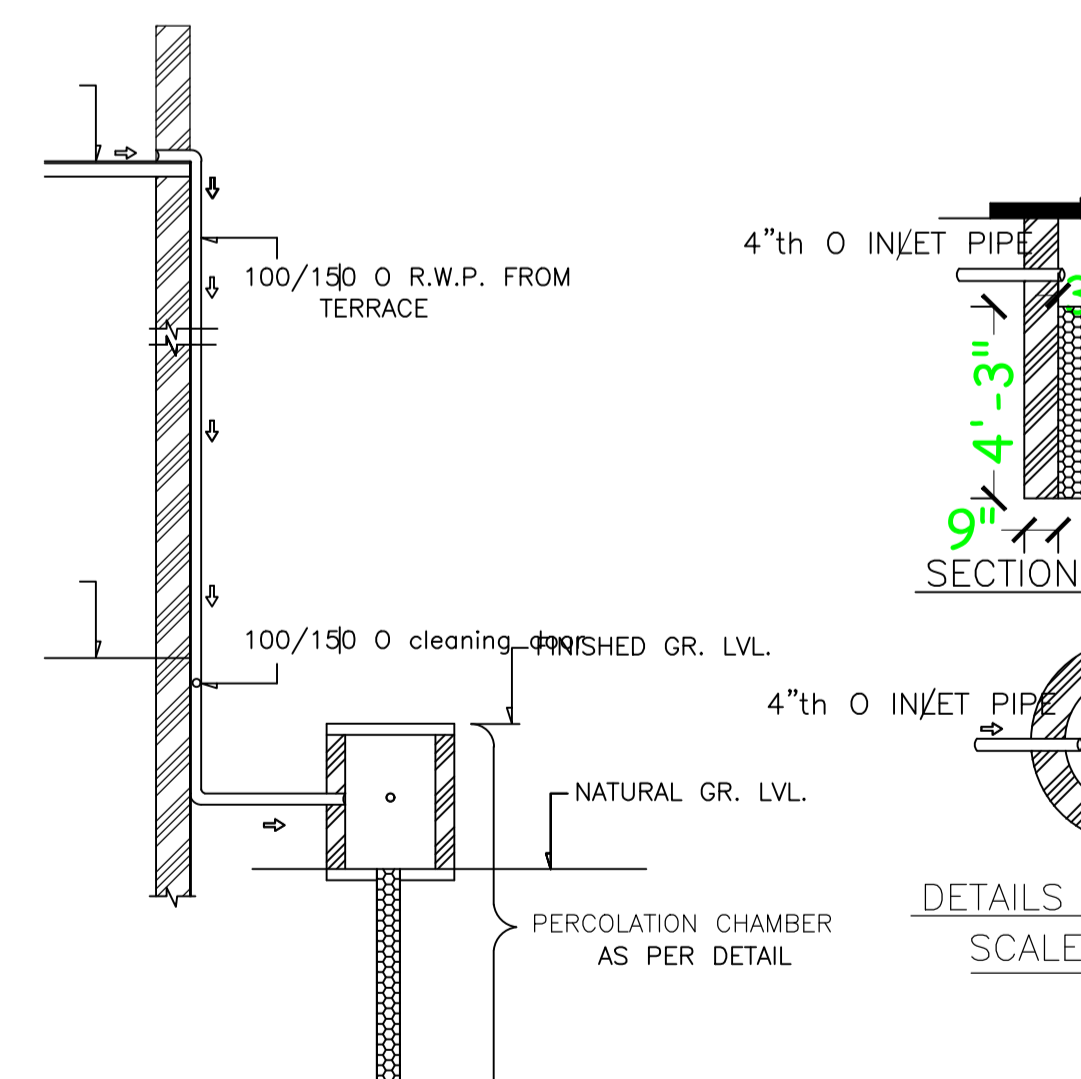
FLOOR	Name	UnitBUA Type	UnitBUA Area	Carpet Area	No. of Rooms	No. of Tenement
GROUND FLOOR PLAN	SPLIT CHANDAN	FLAT	114.30	113.16	5	1
FIRST FLOOR PLAN	SPLIT CHANDAN	FLAT	0.00	0.00	6	0
Total:			114.30	113.16	11	1

FAR & Tenement Details (Table 4c-1)

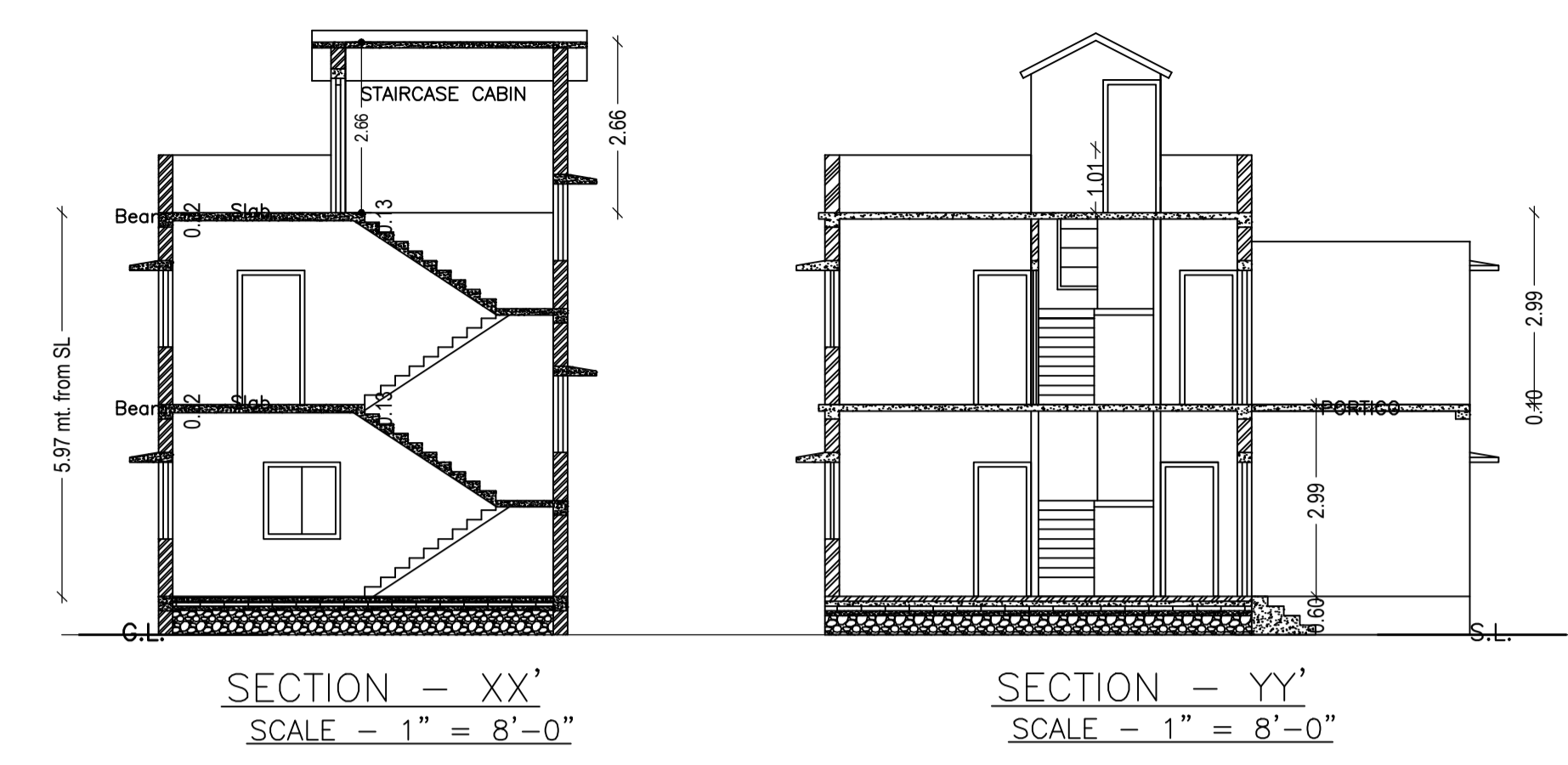
Building	No. of Same Bldg	Total Built Up Area (Sq.mt.)	Deductions (Area in Sq.mt.)	Proposed FAR Area (Sq.mt.)	Total FAR Area (Sq.mt.)	Total Consumed Additional FAR Area (Sq.mt.)	Tnmt (No.)
SHWETA (PLAN)	1	125.10	10.80	114.30	114.30	114.30	01
Grand Total:	1	125.10	10.80	114.30	114.30	114.30	01



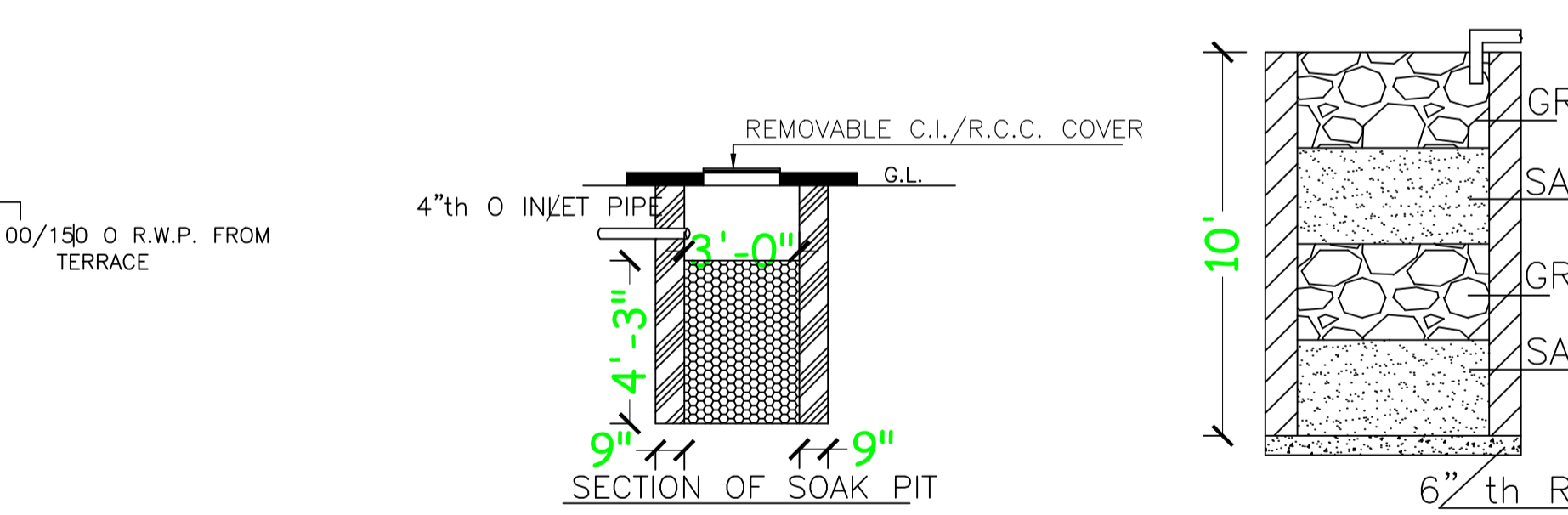
SCALE - 1" = 2'-0"



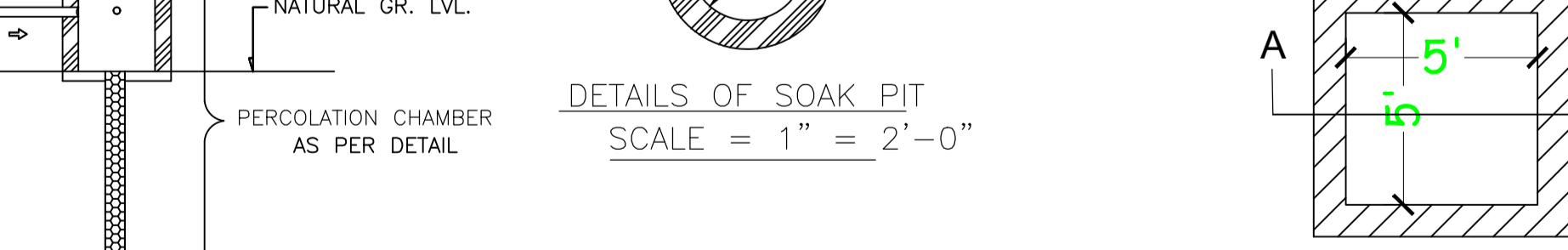
SCALE = 1" = 4'-0"



SCALE - 1" = 8'-0"



SCALE - 1" = 8'-0"



SCALE - 1" = 8'-0"

Proposal Basic Information

Proposal File No.	MADA/BP/0186/2021
Owner Name	SMT. SHWETA KUMARI
Khata No	OLD KHATA NO-36, NEW KHATA NO-350
Plot No	OLD PLOT NO. 2526, NEW PLOT NO. 3965
Village Name	Bara Pichri
Use	Residential
SubUse	Bungalow/ Dwelling / Non Apartment

AREA STATEMENT MINERAL AREA DEVELOPMENT AUTHORITY

VERSION NO.: 1.0.60
VERSION DATE: 16/10/2020

Region: JHARKHAND URBAN LOCAL BODIES	Plot Use: Residential
District: DHANBAD	Plot SubUse: Bungalow/ Dwelling / Non Apartment
Authority: MINERAL AREA DEVELOPMENT AUTHORITY	Plot/Nearby/Religious Structure: NA
Inward No: MADA/BP/0186/2021	Plot/SubPlot No: OLD PLOT NO. 2526, NEW PLOT NO. 3965
Application Type: General Proposal	North: Plot No. - SAME PLOT
Project Type: Building Permission	South: Plot No. - SAME PLOT
Nature of Development: New	East: Road Width - 6.10
Location of Development Area: Old Area	West: Plot No. - SAME PLOT

AREA OF PLOT (Minimum)	(A)	SQ.MT.
NET AREA OF PLOT (Gross Plot Area - Deduction from Gross Plot area)	(A-Deductions)	129.98
Deduction for Balance Plot Area (from Gross Plot Area)		
Common Plot		14.48
Total		14.48
BALANCE AREA OF PLOT (Net Plot Area - Recreational/Amenity space)	(A-Deductions)	115.50
PLOT AREA FOR COVERAGE (Net Plot Area)	(A-Deductions)	129.98
Plot Area for FAR (Net Plot Area + Road/Widening Area)	(A-Deductions)	129.98

COVERAGE CHECK		
Permissible Coverage area (70.00 %)		90.99
Proposed Coverage Area (43.97 %)		57.15
Total Prop. Coverage Area (43.97 %)		57.15
Balance coverage area (26.03 %)		33.84

FAR CHECK		
Perm. FAR Area (2.50)		324.95
Total Perm. FAR area		324.95
Residential FAR		114.30
Proposed FAR Area		114.30
Total Proposed FAR Area		114.30
Consumed FAR (Factor)		0.88
Balance FAR Area		210.65

BUILT UP AREA CHECK		
Total Proposed Built Up Area		125.10
ARCHITECT (Regd)		RAM PRATAP SINGH
ENGINEER (Regd)		
SUPERVISOR (Regd)		
OWNER (Regd)		SMT. SHWETA KUMARI
DEVELOPMENT AUTHORITY		LOCAL BODY

COLOR INDEX

PLOT BOUNDARY	Black
ABUTTING ROAD	Green
PROPOSED CONSTRUCTION	Red
COMMON PLOT	Yellow
ROAD WIDENING AREA	Blue
EXISTING (To be retained)	Orange
EXISTING (To be demolished)	Grey

Buildingwise Floor FAR Details

Floor Name	SHWETA (PLAN)		Total	
	Proposed Built Up Area (Sq.mt.)	Proposed FAR Area (Sq.mt.)	Total Proposed Built Up Area (Sq.mt.)	Total FAR Area (Sq.mt.)
Ground Floor	67.95	57.15	67.95	57.15
First Floor	57.15	57.15	57.15	57.15
Terrace Floor	0.00	0.00	0.00	0.00
Total:	125.10	114.30	125.10	114.30

Building USE/SUBUSE Details

Building Name	Building Use	Building SubUse	Building Structure
SHWETA (PLAN)	Residential	Residential Bldg/Apartment	Non-Highrise

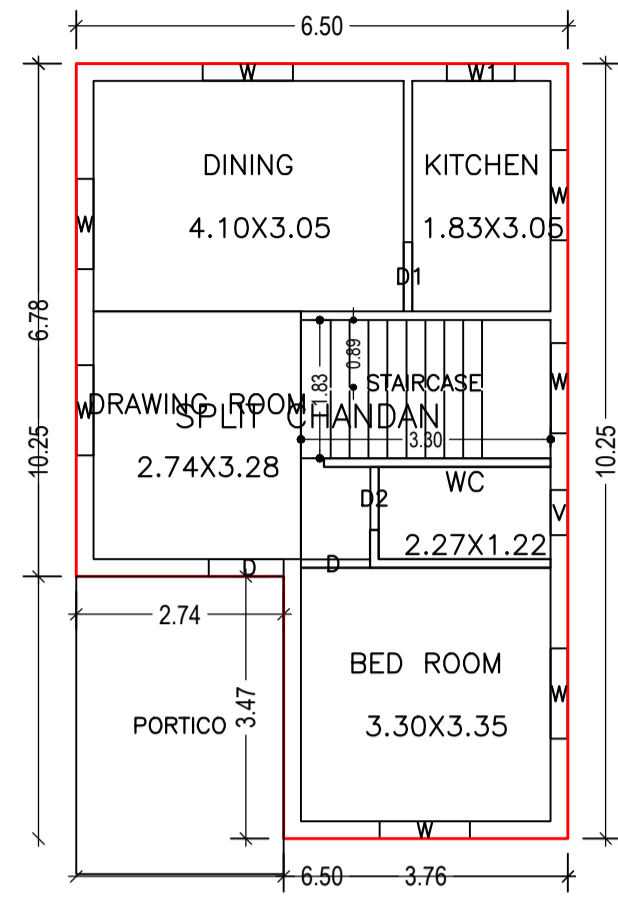
Building :SHWETA (PLAN)

Floor Name	Total Built Up Area (Sq.mt.)	Deductions (Area in Sq.mt.)	Proposed FAR Area (Sq.mt.)	Total FAR Area (Sq.mt.)	Total Consumed Additional FAR Area (Sq.mt.)	Tnmt (No.)
Ground Floor	67.95	10.80	57.15	57.15	57.15	01
First Floor	57.15	0.00	57.15	57.15	57.15	00
Terrace Floor	0.00	0.00	0.00	0.00	0.00	00
Total:	125.10	10.80	114.30	114.30	114.30	01

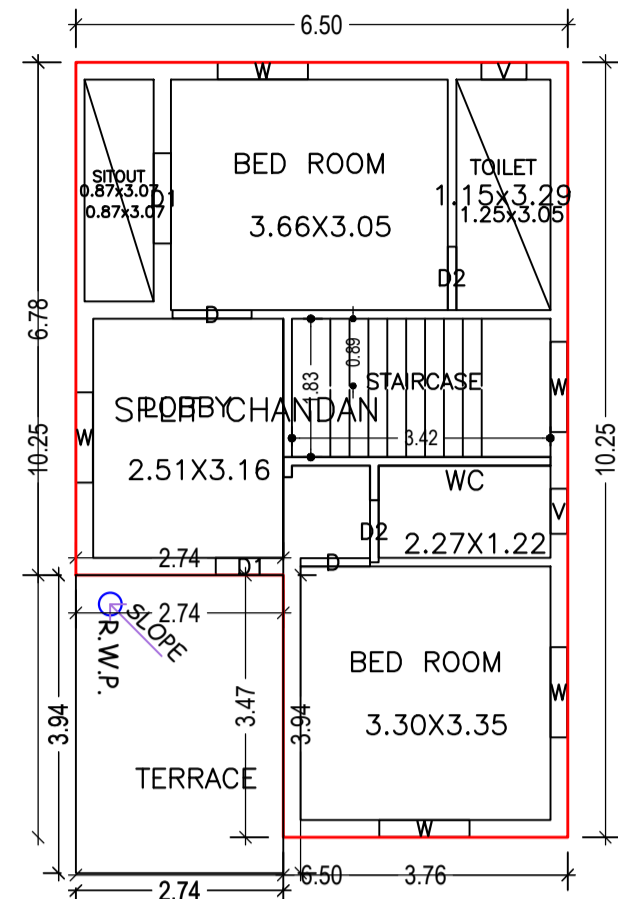
LTP NAME AND SIGNATURE	STRUCTURAL ENG'S NAME AND SIGNATURE	BUILDER NAME AND SIGNATURE	DIGITAL SIGNATURE
RAM PRATAP SINGH MADA/ARC/0024/2019			

Proposal Basic Information

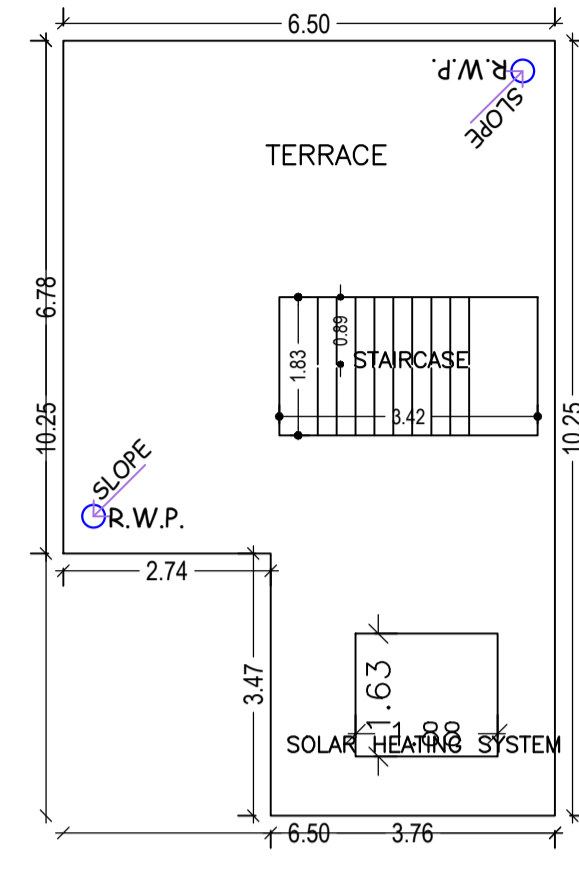
Proposal File No.	MADA/BP/0186/2021
Owner Name	SMT. SHWETA KUMARI
Khata No	OLD KHATA NO-36, NEW KHATA NO-350
Plot No	OLD PLOT NO. 2526, NEW PLOT NO. 3965
Village Name	Bara Pichri
Use	Residential
SubUse	Bungalow/ Dwelling / Non Apartment



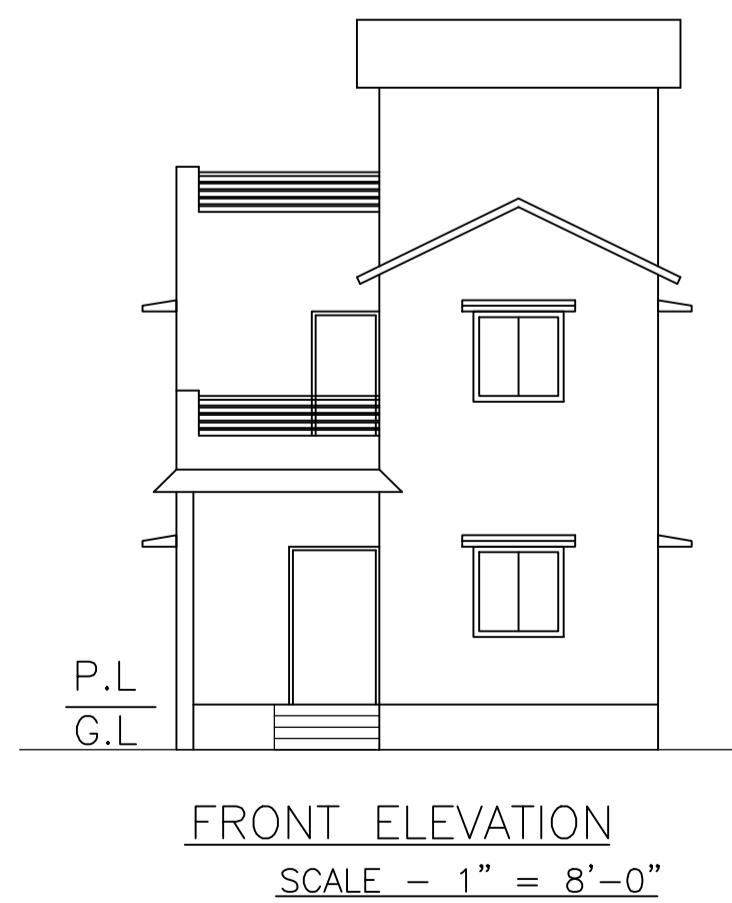
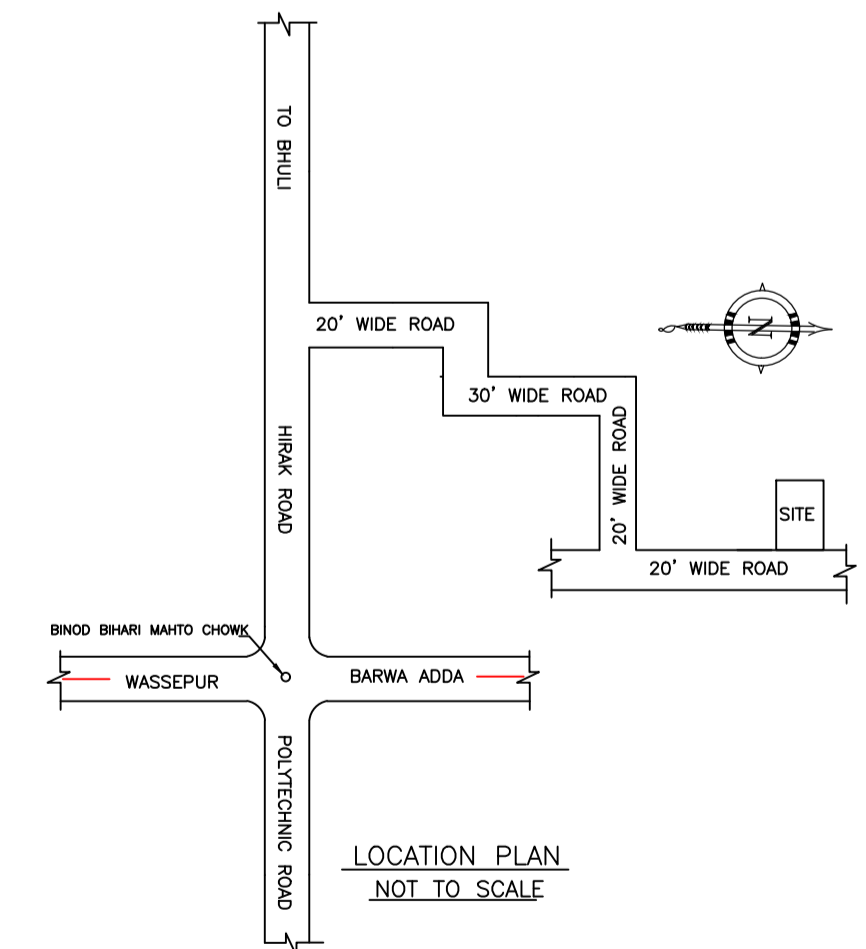
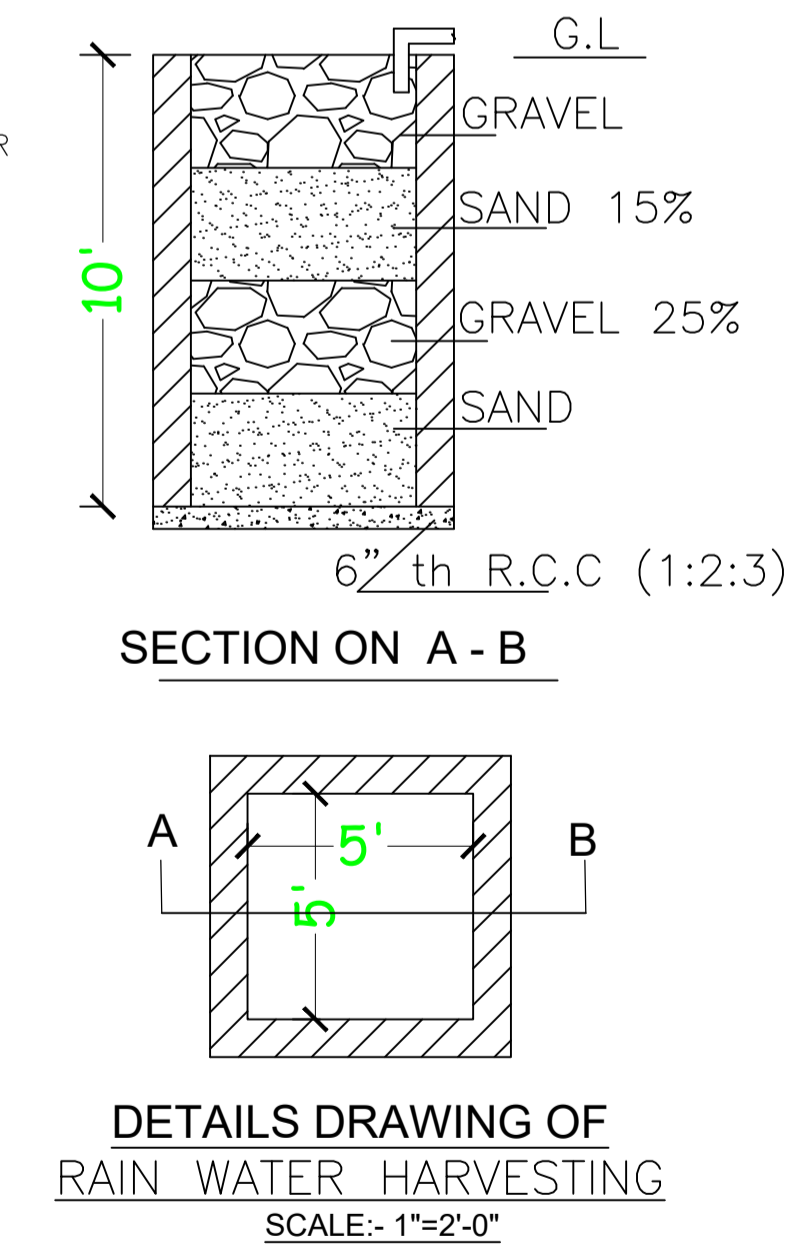
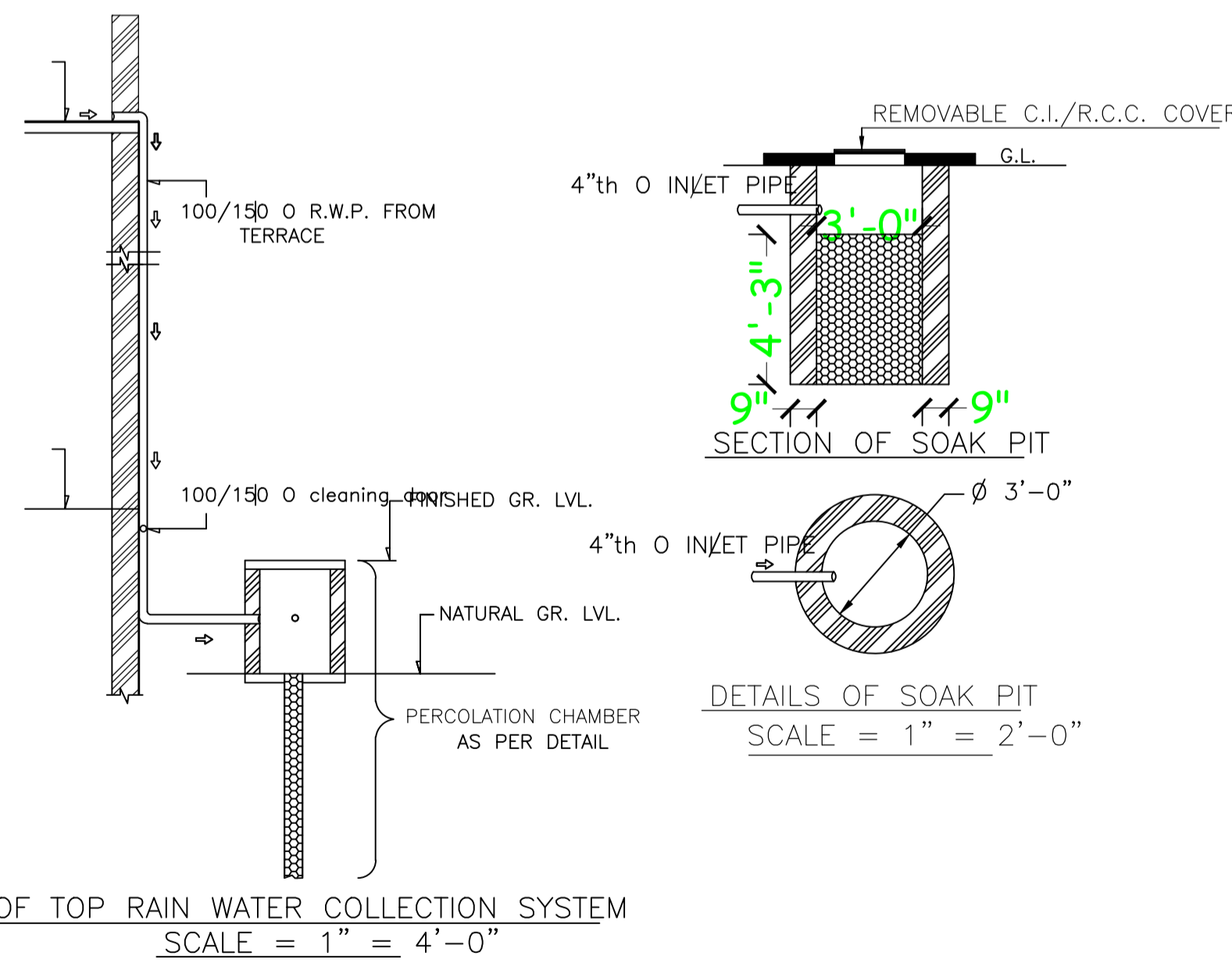
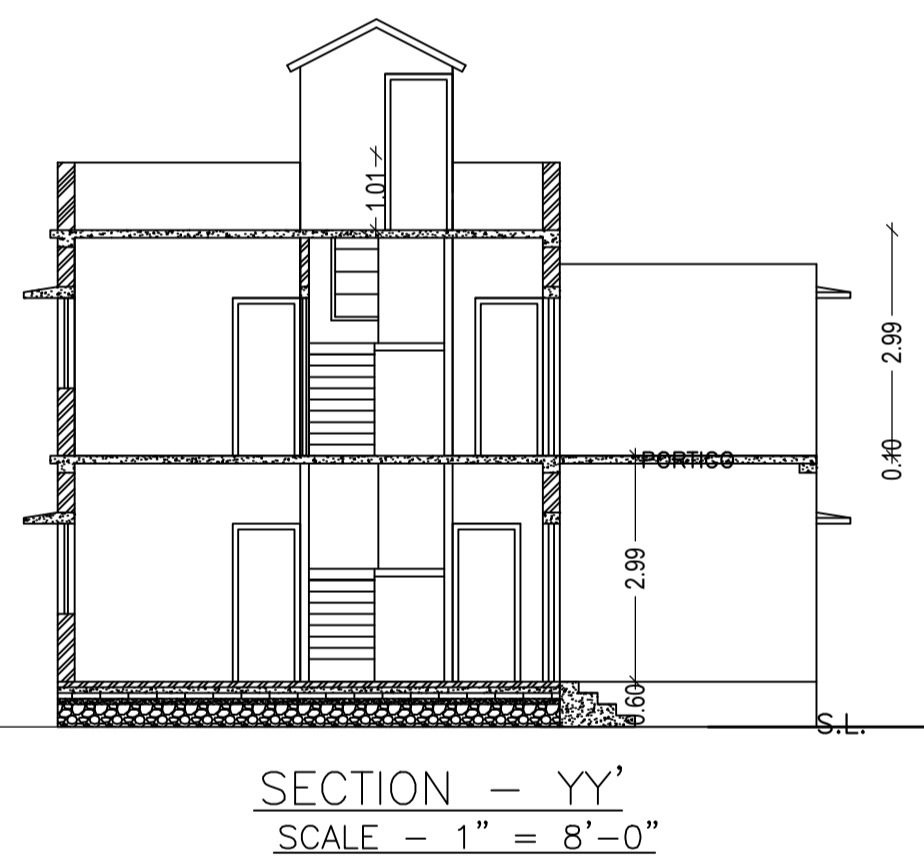
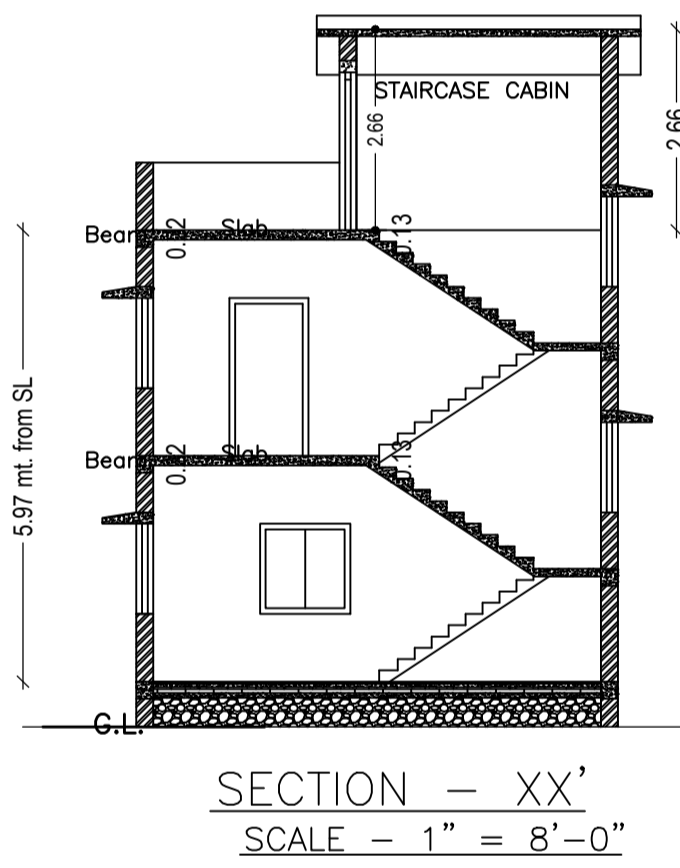
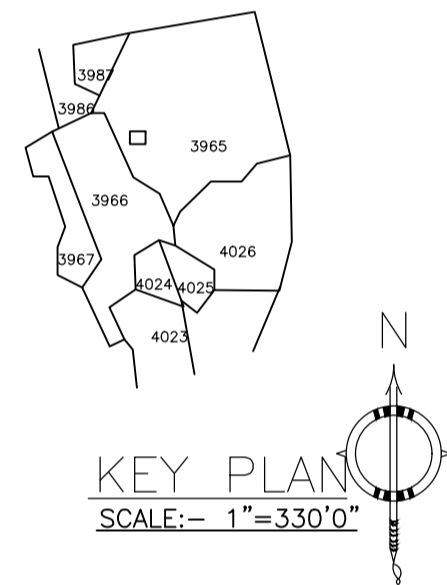
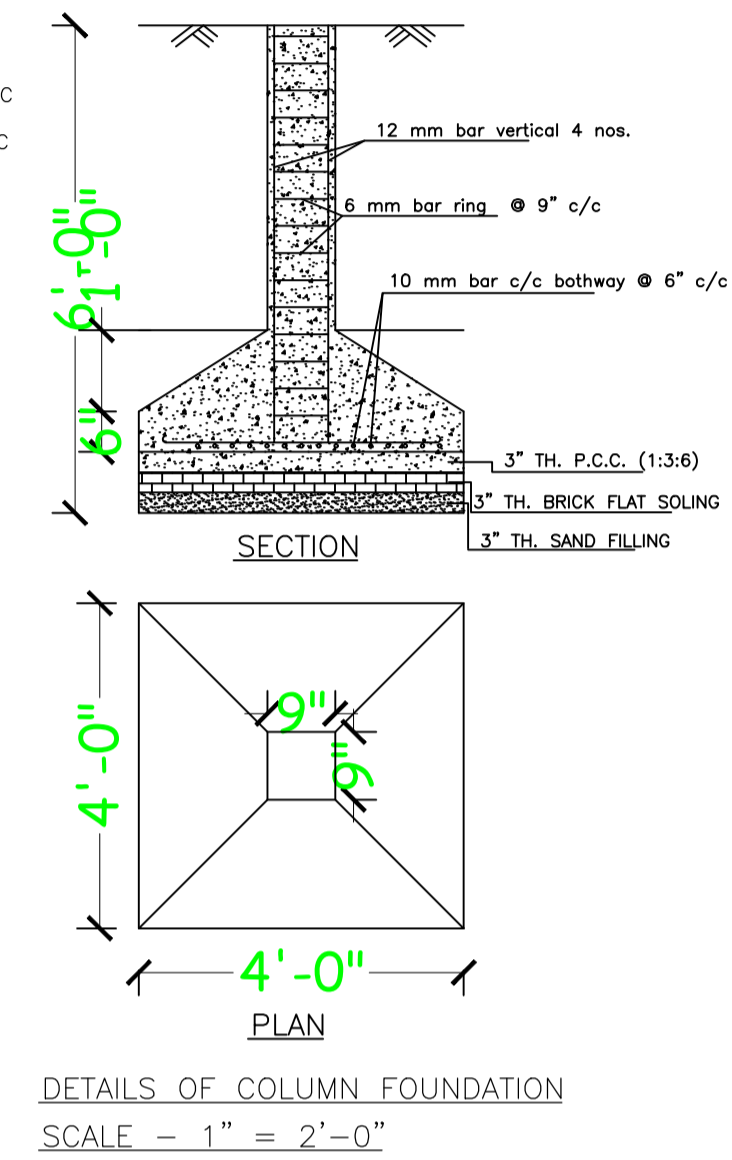
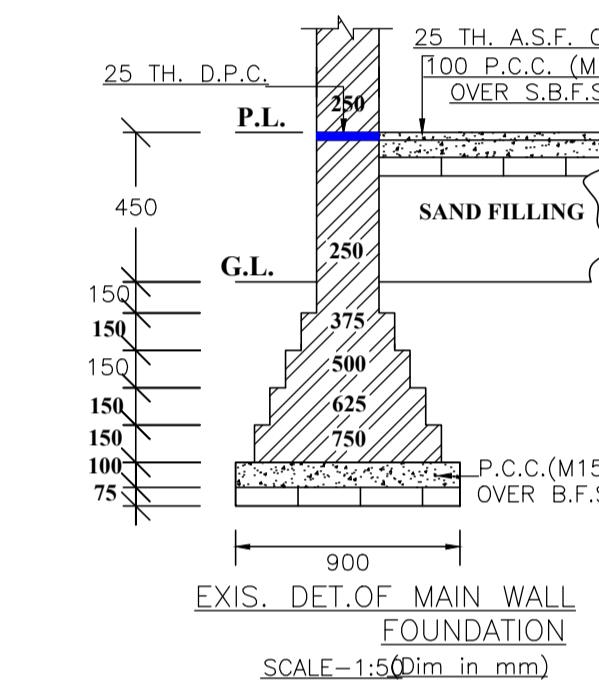
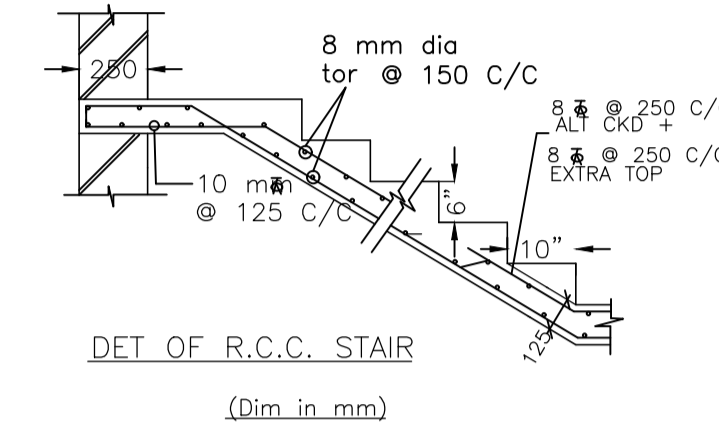
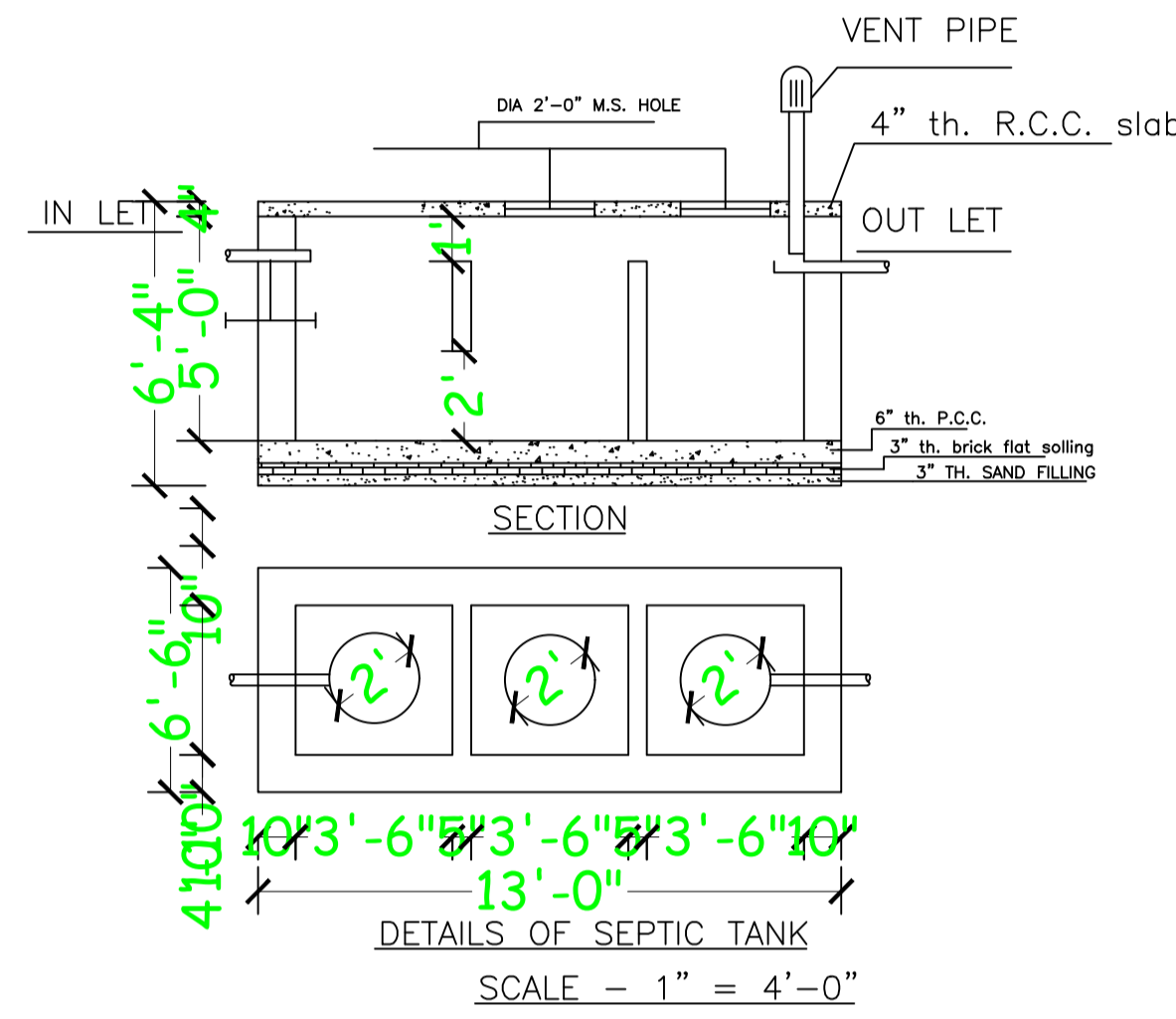
GROUND FLOOR PLAN
(Proposed)
(SCALE 1:100)



FIRST FLOOR PLAN
(Proposed)
(SCALE 1:100)



TERRACE FLOOR PLAN
(Proposed)
(SCALE 1:100)



LTP NAME AND SIGNATURE	STRUCTURAL ENG'S NAME AND SIGNATURE	BUILDER NAME AND SIGNATURE	DIGITAL SIGNATURE
RAM PRATAP SINGH MADA/ARC/0024/2019			