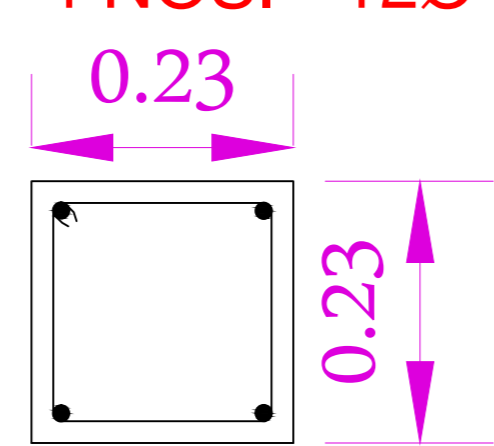


FOUNDATION PLAN

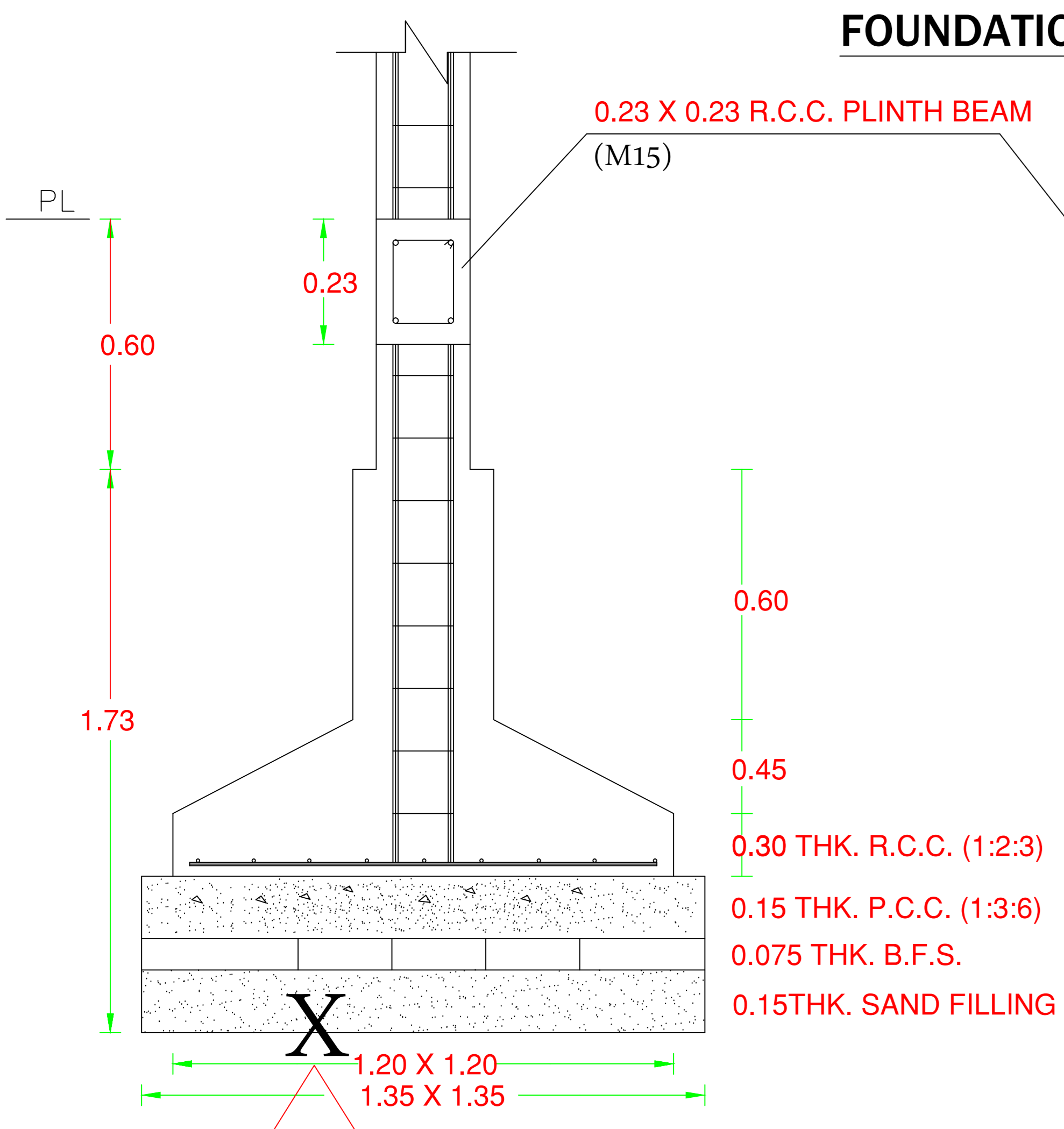
VERTICAL & HORIZONTAL ROD 12Ø @0.15 C/C

VERTICAL : 4 NOS. - 12Ø

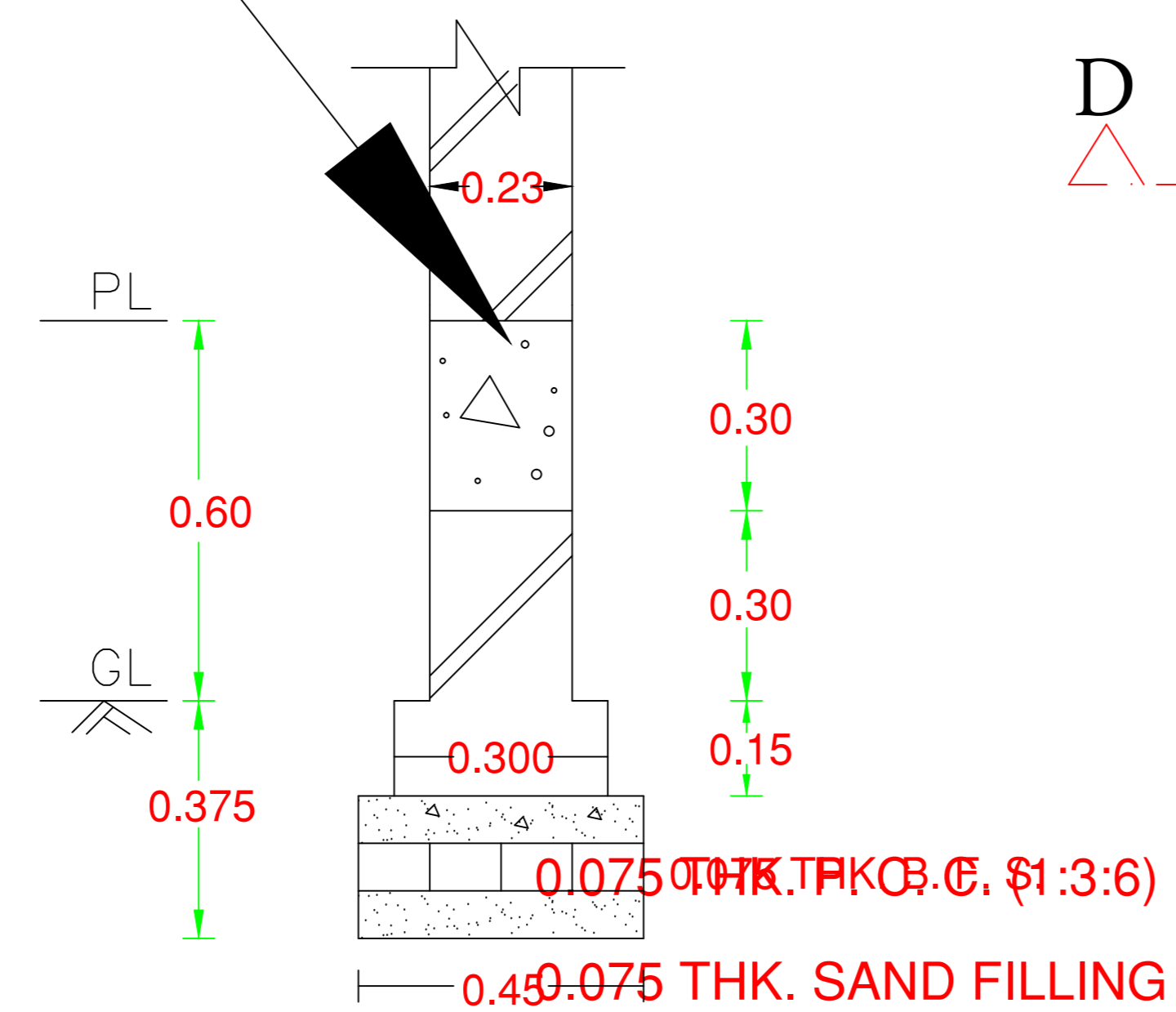
RING : 8Ø @ 0.15 C/C



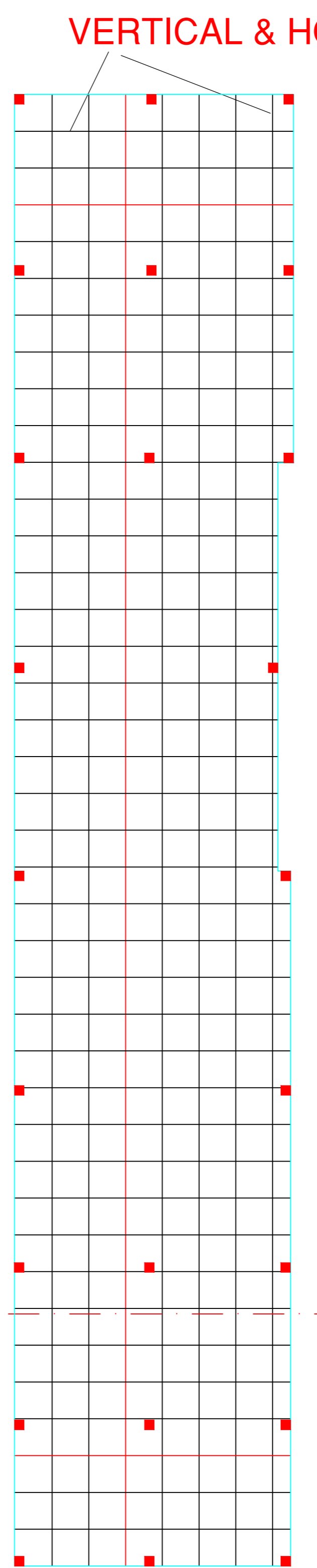
DETAILS OF COLUMN & BEAM



FOUNDATION DETAILS OF COLUMN

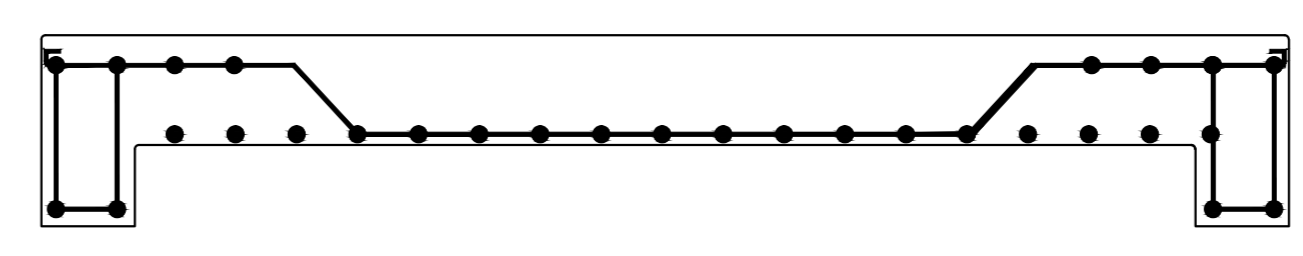
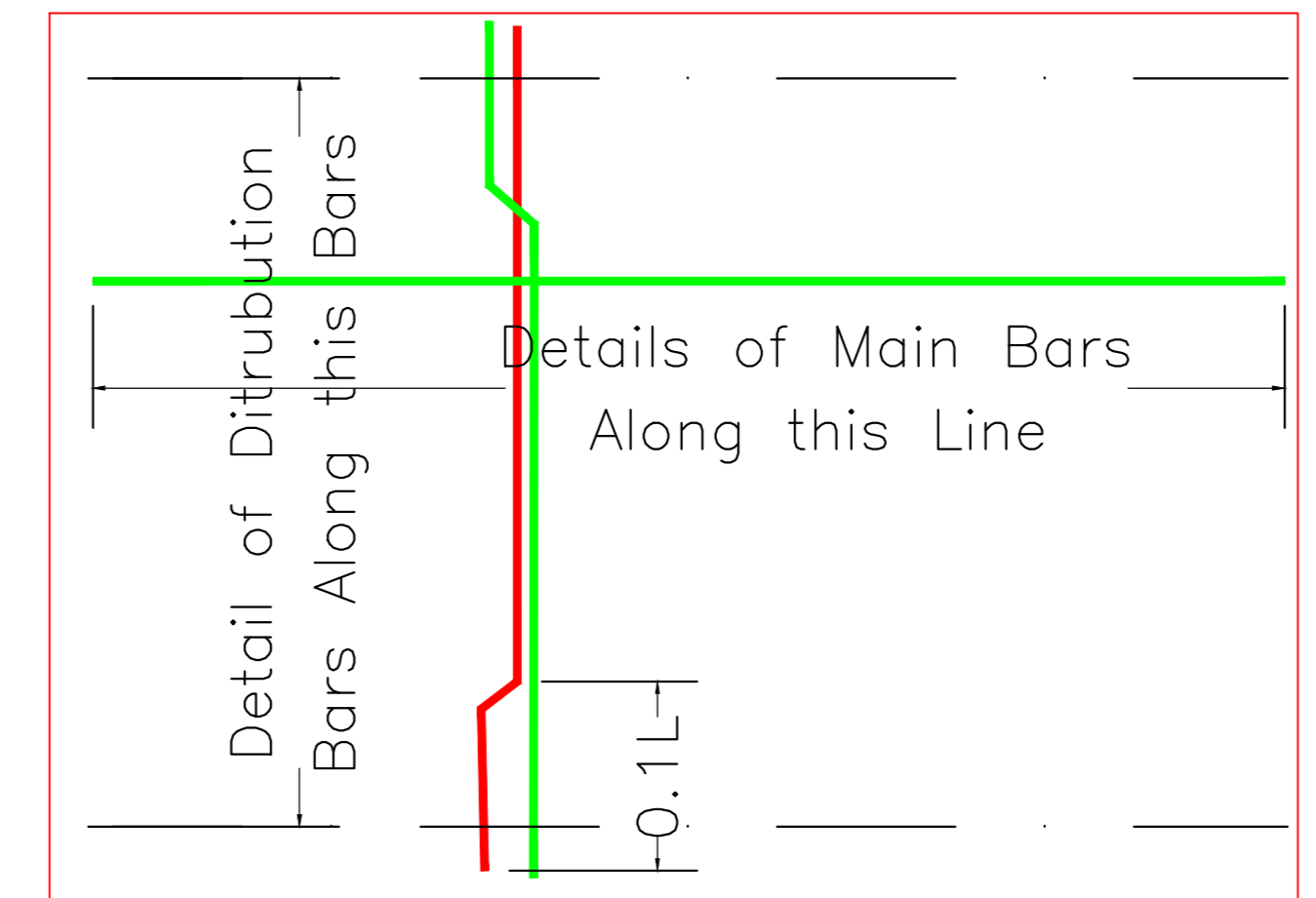


FOUNDATION DETAILS OF WALL

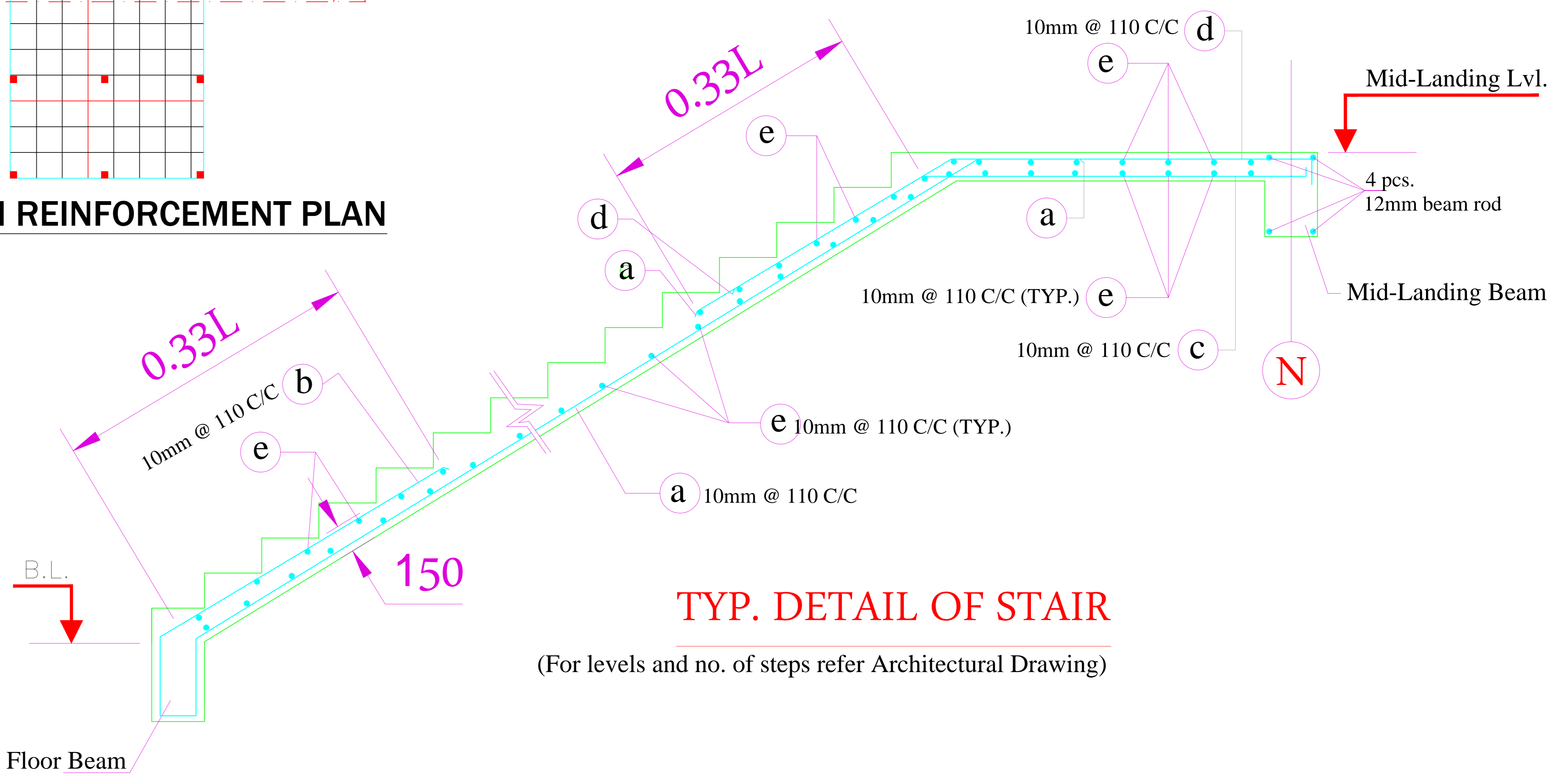


BOTTOM REINFORCEMENT PLAN

VERTICAL & HORIZONTAL- 12Ø @0.15 C/C



SECTION - D:D



TYP. DETAIL OF STAIR

(For levels and no. of steps refer Architectural Drawing)

Structure Detail