

UnitBUA Table for Building :A (SMT SIKLIYA DEVI)

FLOOR	Name	UnitBUA Type	UnitBUA Area	Carpet Area	No. of Rooms	No. of Tenement
FIRST FLOOR PLAN	SPLIT A	FLAT	0.00	0.00	7	
GROUND FLOOR PLAN	SPLIT A	FLAT	207.13	204.90	7	1
Total	-	-	207.13	204.90	14	1

SCHEDULE OF DOOR:

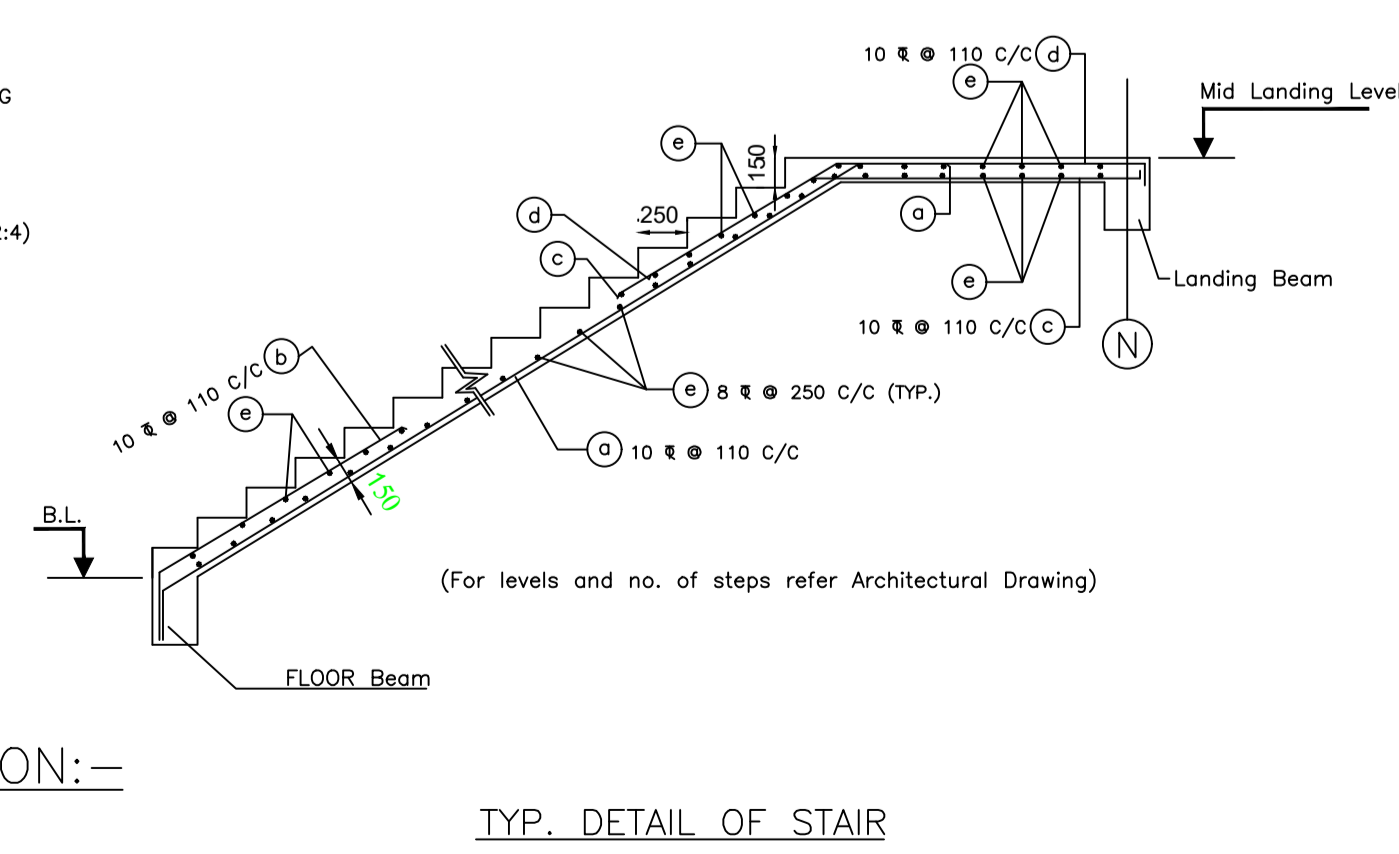
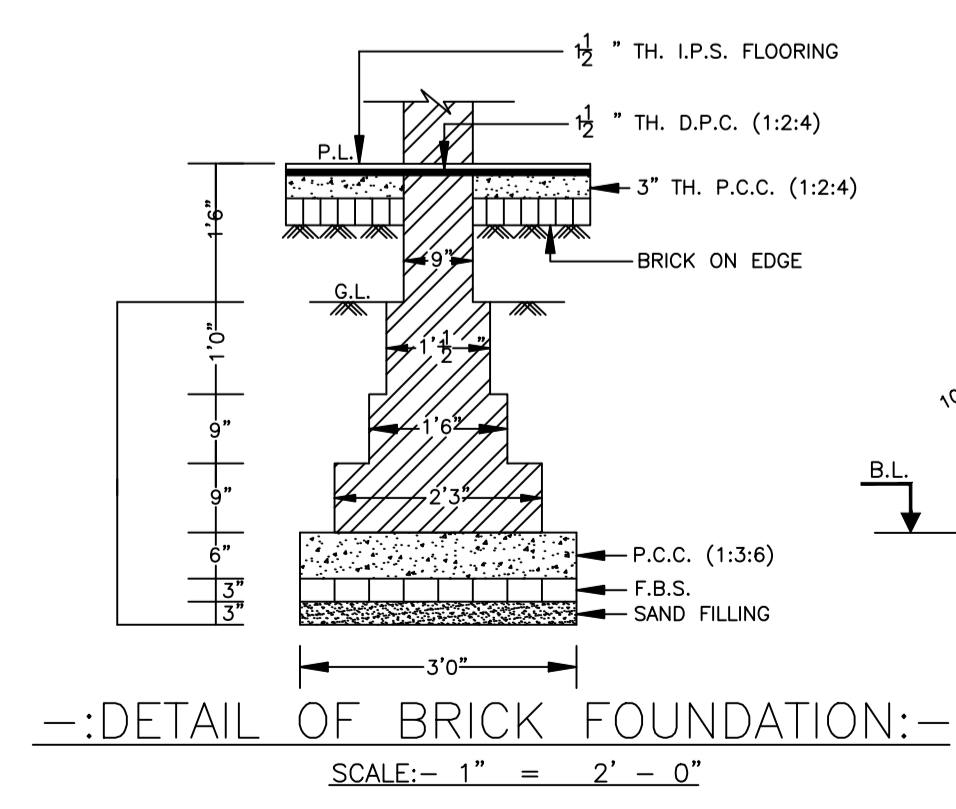
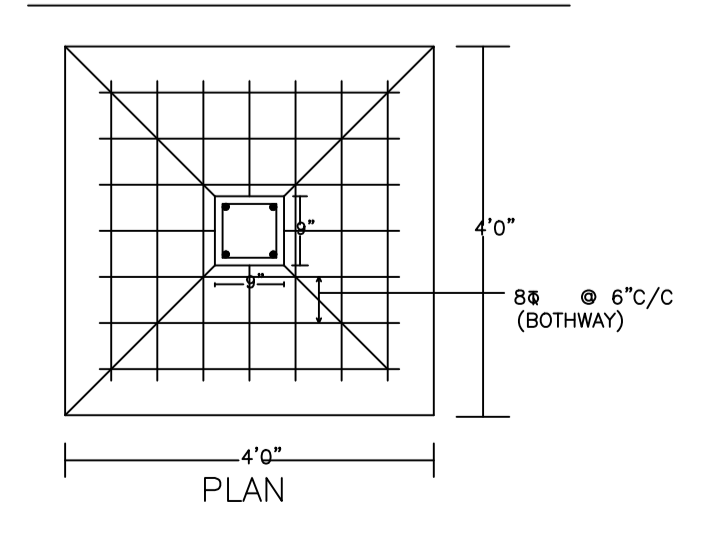
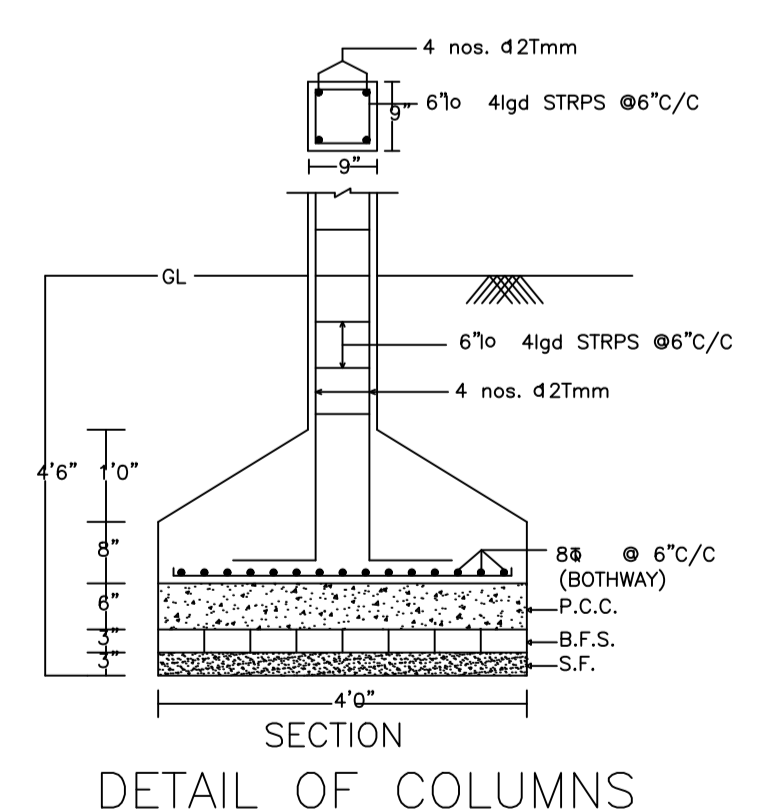
BUILDING NAME	NAME	LENGTH	HEIGHT	NOS
A (SMT SIKLIYA DEVI)	D	0.76	2.10	08
A (SMT SIKLIYA DEVI)	D	0.77	2.10	01
A (SMT SIKLIYA DEVI)	D	0.91	2.10	01
A (SMT SIKLIYA DEVI)	D	1.07	2.10	04
A (SMT SIKLIYA DEVI)	D	1.22	2.10	02

SCHEDULE OF WINDOW/VENTILATION:

BUILDING NAME	NAME	LENGTH	HEIGHT	NOS
A (SMT SIKLIYA DEVI)	W	0.61	1.20	04
A (SMT SIKLIYA DEVI)	W	0.91	1.20	02
A (SMT SIKLIYA DEVI)	W	1.22	1.20	02
A (SMT SIKLIYA DEVI)	W	1.52	1.20	10
A (SMT SIKLIYA DEVI)	W	3.29	1.20	02

Building :A (SMT SIKLIYA DEVI)

Floor Name	Total Built Up Area (Sq.mt.)	Deductions (Area in Sq.mt.)		Proposed FAR Area (Sq.mt.)	Total FAR Area (Sq.mt.)	Total Consumed Additional FAR Area (Sq.mt.)	Trmt (No.)
		Balcony	Archi.Proj.				
Ground Floor	107.31	0.00	4.83	102.48	102.48	102.48	01
First Floor	104.65	1.09	0.00	103.56	103.56	103.56	00
Terrace Floor	0.00	0.00	0.00	0.00	0.00	0.00	00
Total :	211.96	1.09	4.83	206.04	206.04	206.04	01
Total Number of Same Buildings :	1						
Total :	211.96	1.09	4.83	206.04	206.04	206.04	01



Proposal Basic Information

Proposal File No.	MADA/BP/0108/2021
Owner Name	SMT SIKLIYA DEVI
Khata No	OLD- 17,69, NEW- 12,57
Plot No	OLD- 380,48, NEW- 452,90
Village Name	Jialgora
Use	Residential
SubUse	Bungalow/ Dwelling / Non Apartment

AREA STATEMENT MINERAL AREA DEVELOPMENT AUTHORITY

VERSION NO.: 1.0.59  
VERSION DATE: 16/10/2020

PROJECT DETAIL:

Region: JHARKHAND URBAN LOCAL BODIES	Plot Use: Residential
District: DHANBAD	Plot SubUse: Bungalow/ Dwelling / Non Apartment
Authority: MINERAL AREA DEVELOPMENT AUTHORITY	Plot/Nearby/Religious/Structure: NA
Inward No: MADA/BP/0108/2021	Plot/SubPlot No: OLD- 380,48, NEW- 452,90
Application Type: General Proposal	North: Plot No. - 8
Project Type: Building Permission	South: Plot No. - 8
Nature of Development: New	East: Road Width - 4.30
Location of Development Area: Old Area	West: Plot No. - 12

AREA DETAILS:

AREA OF PLOT (Minimum)	(A)	SQ.MT.
NET AREA OF PLOT(Gross Plot Area - Deduction from Gross Plot area)	(A-Deductions)	167.11
Deduction for Balance Plot Area(from Gross Plot Area)		
Common Plot		27.42
Total		27.42
BALANCE AREA OF PLOT(Net Plot Area - Recreational/Amenity space)	(A-Deductions)	139.69
PLOT AREA FOR COVERAGE(Net Plot Area)	(A-Deductions)	167.11
Plot Area for FAR (Net Plot Area + RoadWidening Area)	(A-Deductions)	167.11

COVERAGE CHECK

Permissible Coverage area ( 70.00 % )	116.98
Proposed Coverage Area ( 61.32 % )	102.48
Total Prop. Coverage Area ( 61.32 % )	102.48
Balance coverage area ( 8.68 % )	14.50

FAR CHECK

Perm. FAR Area ( 1.80 )	300.80
Total Perm. FAR area	300.80
Residential FAR	206.04
Proposed FAR Area	206.04
Total Proposed FAR Area	206.04
Consumed FAR (Factor)	1.23
Balance FAR Area	94.76

BUILT UP AREA CHECK

Total Proposed BuiltUp Area	211.96
-----------------------------	--------

ARCHITECT (Regd) RAJEEV RANJAN SINGH  
ENGINEER (Regd)  
SUPERVISOR (Regd)  
OWNER (Regd) SMT SIKLIYA DEVI

DEVELOPMENT AUTHORITY LOCAL BODY

COLOR INDEX

PLOT BOUNDARY	Black
ABUTTING ROAD	Green
PROPOSED CONSTRUCTION	Red
COMMON PLOT	Yellow
ROAD WIDENING AREA	Orange
EXISTING (To be retained)	Blue
EXISTING (To be demolished)	Light Blue

Buildingwise Floor FAR Details

Floor Name	Building Name A (SMT SIKLIYA DEVI)		Total	
	Proposed Built Up Area (Sq.mt.)	Proposed FAR Area (Sq.mt.)	Total Proposed Built Up Area (Sq.mt.)	Total FAR Area (Sq.mt.)
Ground Floor	107.31	102.48	107.31	102.48
First Floor	104.65	103.56	104.65	103.56
Terrace Floor	0.00	0.00	0.00	0.00
Total:	211.96	206.04	211.96	206.04

Building USE/SUBUSE Details

Building Name	Building Use	Building SubUse	Building Structure
A (SMT SIKLIYA DEVI)	Residential	Residential Bldg/Apartment	Non-Highrise

Balcony Calculations Table

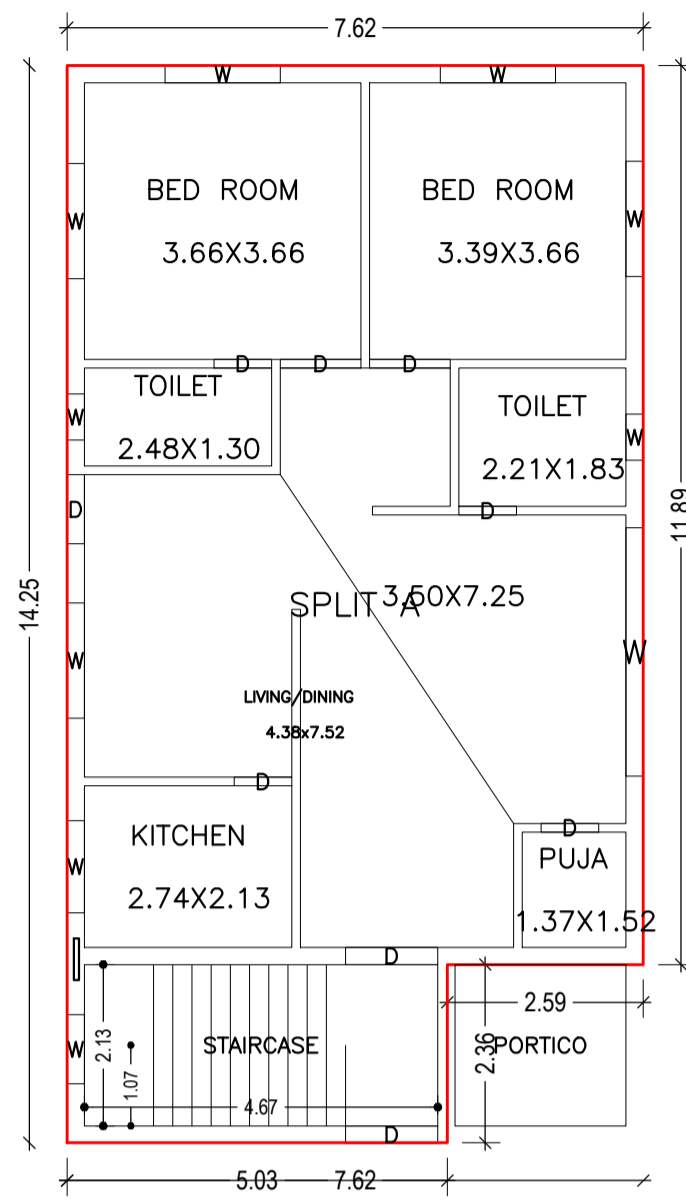
FLOOR	SIZE	AREA	TOTAL AREA
FIRST FLOOR PLAN	0.90 X 2.41 X 1 X 1	2.17	2.17
Total	-	-	2.17

FAR & Tenement Details (Table 4c-1)

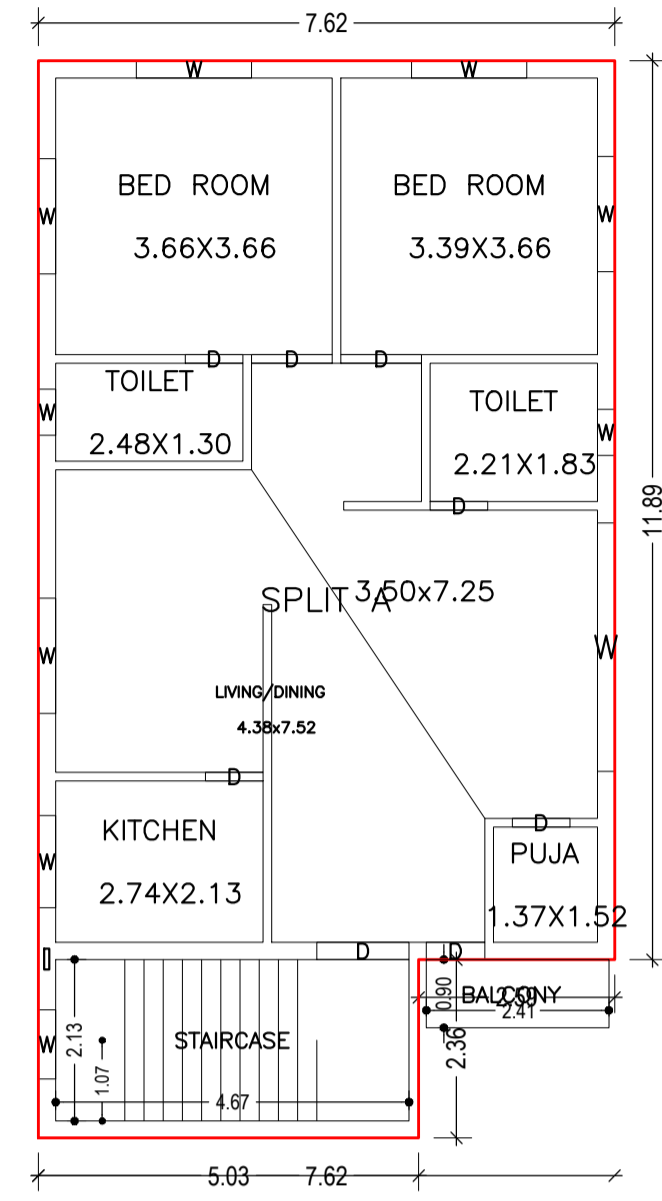
Building	No. of Same Bldg	Total Built Up Area (Sq.mt.)	Deductions (Area in Sq.mt.)		Proposed FAR Area (Sq.mt.)	Total FAR Area (Sq.mt.)	Total Consumed Additional FAR Area (Sq.mt.)	Trmt (No.)
			Balcony	Archi.Proj.				
A (SMT SIKLIYA DEVI)	1	211.96	1.09	4.83	206.04	206.04	206.04	01
Grand Total :	1	211.96	1.09	4.83	206.04	206.04	206.04	01

LTP NAME AND SIGNATURE	STRUCTURAL ENG'S NAME AND SIGNATURE	BUILDER NAME AND SIGNATURE	DIGITAL SIGNATURE
RAJEEV RANJAN SINGH MADA/ENG/0004/2019			

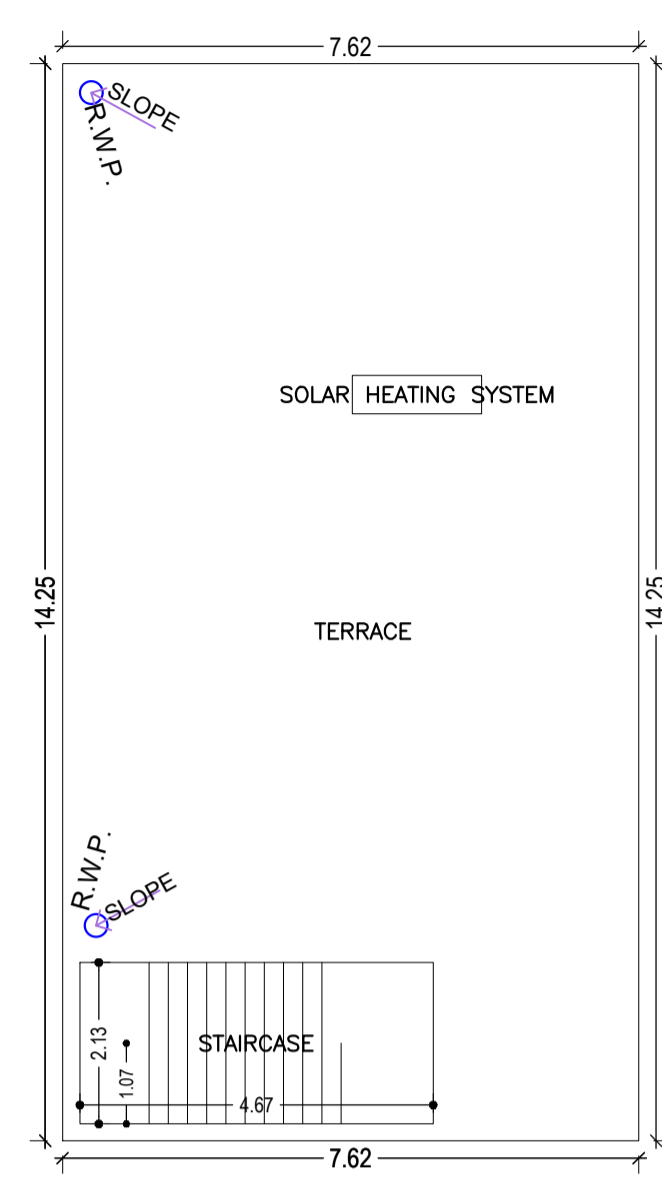
Proposal Basic Information	
Proposal File No.	MADA/BP/0108/2021
Owner Name	SMT SIKLIYA DEVI
Khata No	OLD- 17,69, NEW- 12,57
Plot No	OLD- 380,48, NEW- 452,90
Village Name	Jialgora
Use	Residential
SubUse	Bungalow/ Dwelling / Non Apartment



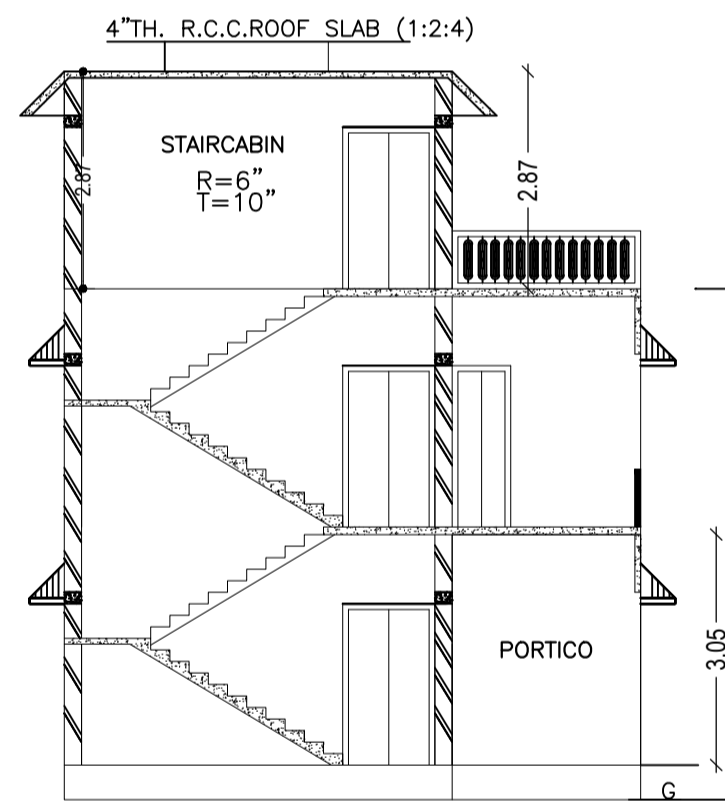
GROUND FLOOR PLAN (Proposed) (SCALE 1:100)



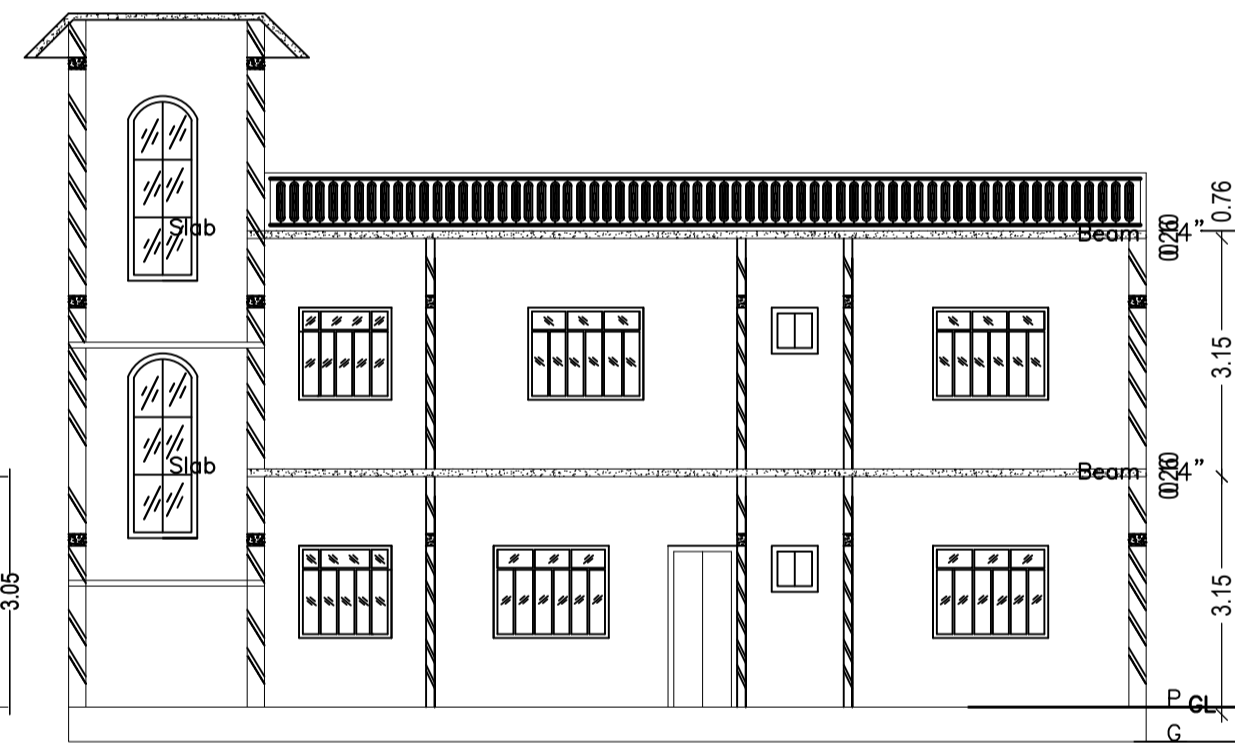
FIRST FLOOR PLAN (Proposed) (SCALE 1:100)



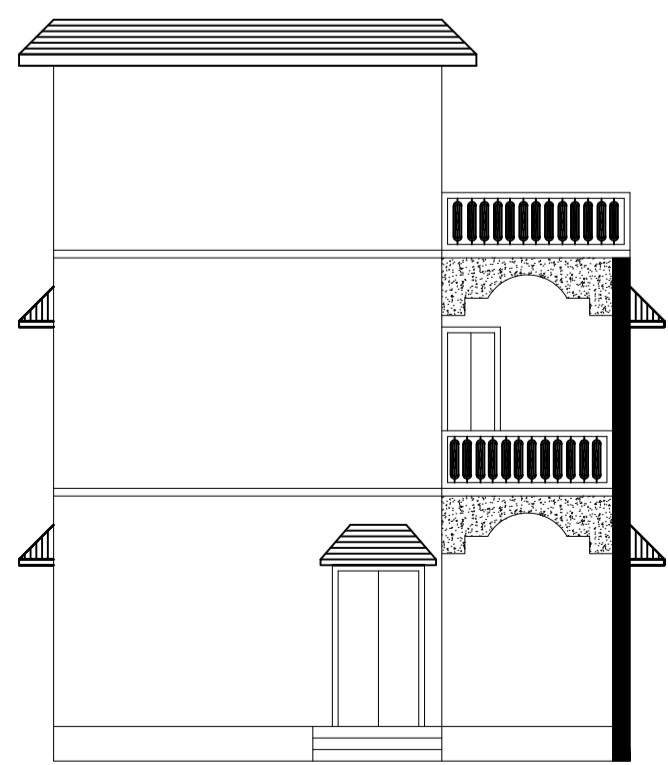
TERRACE FLOOR PLAN (SCALE 1:100)



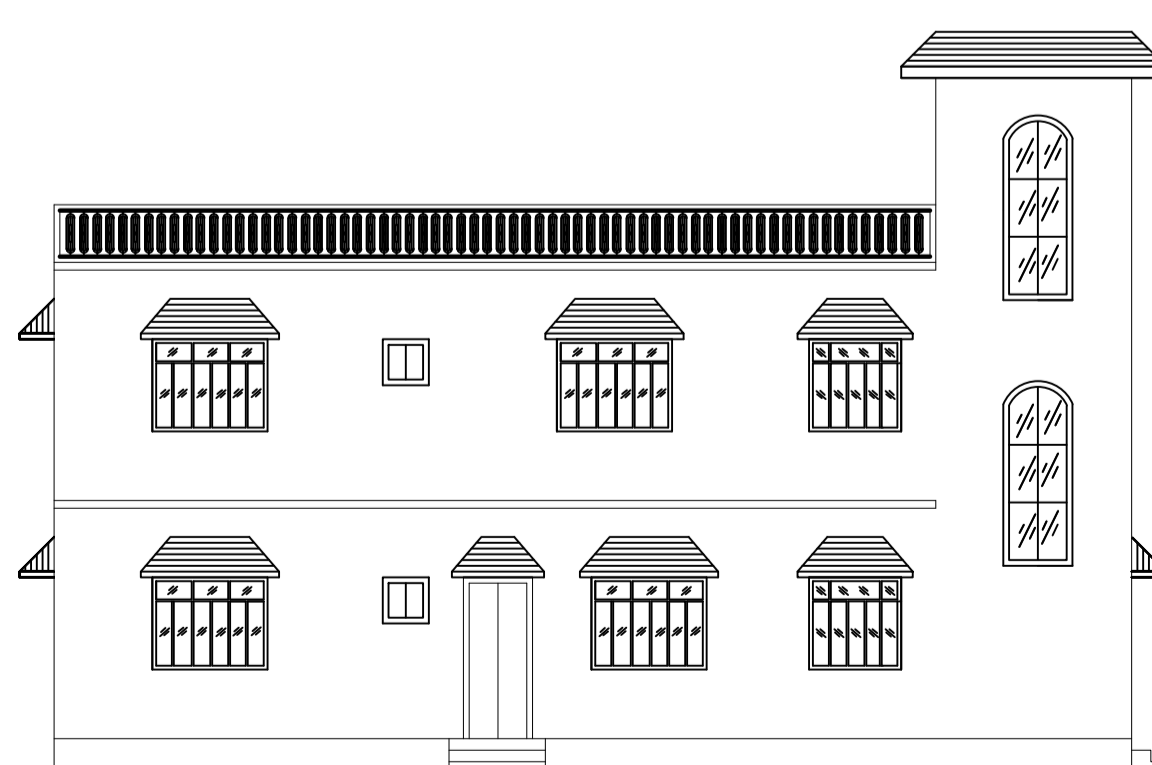
SECTION AT X-X



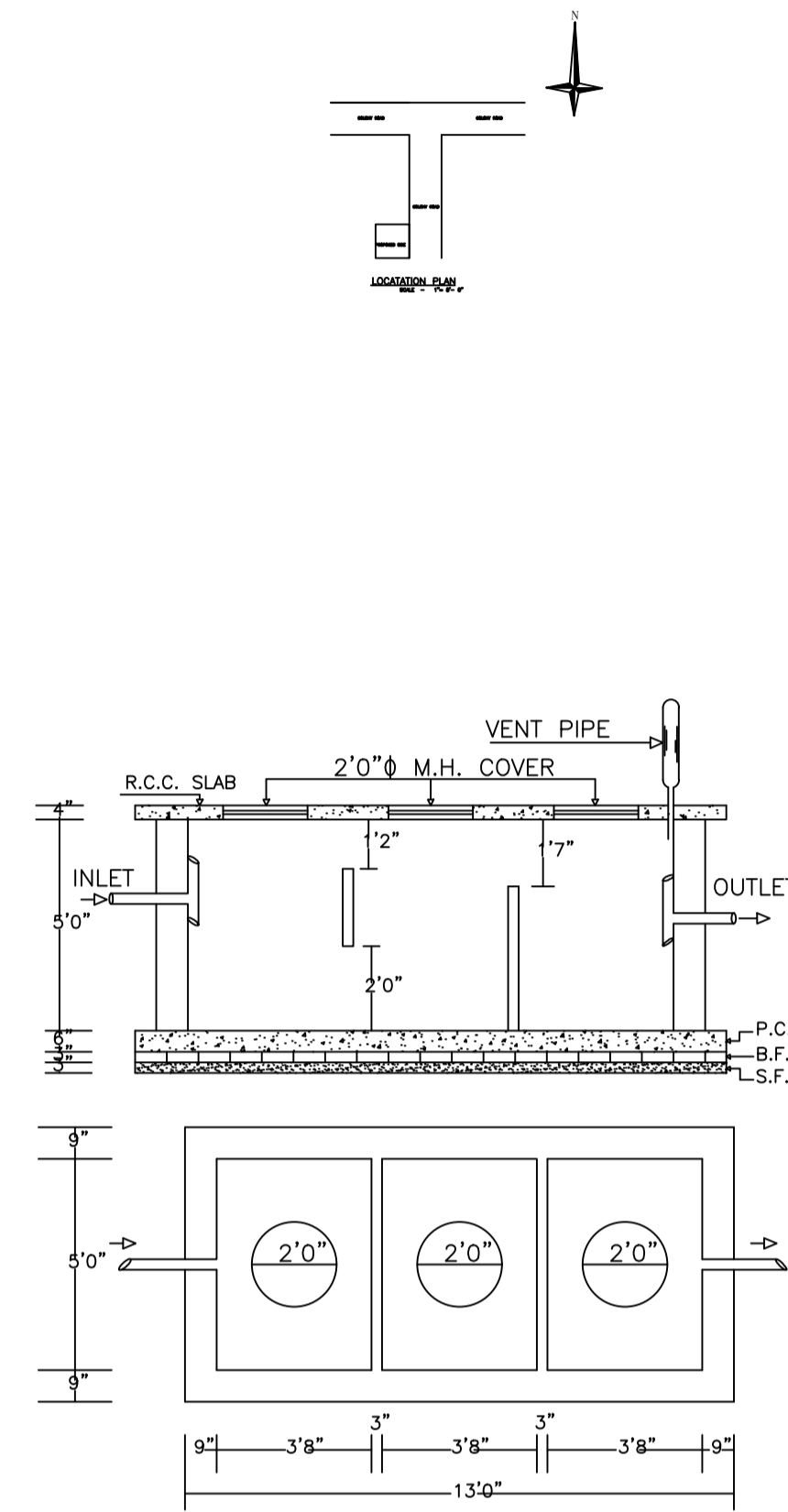
SECTION AT Y-Y



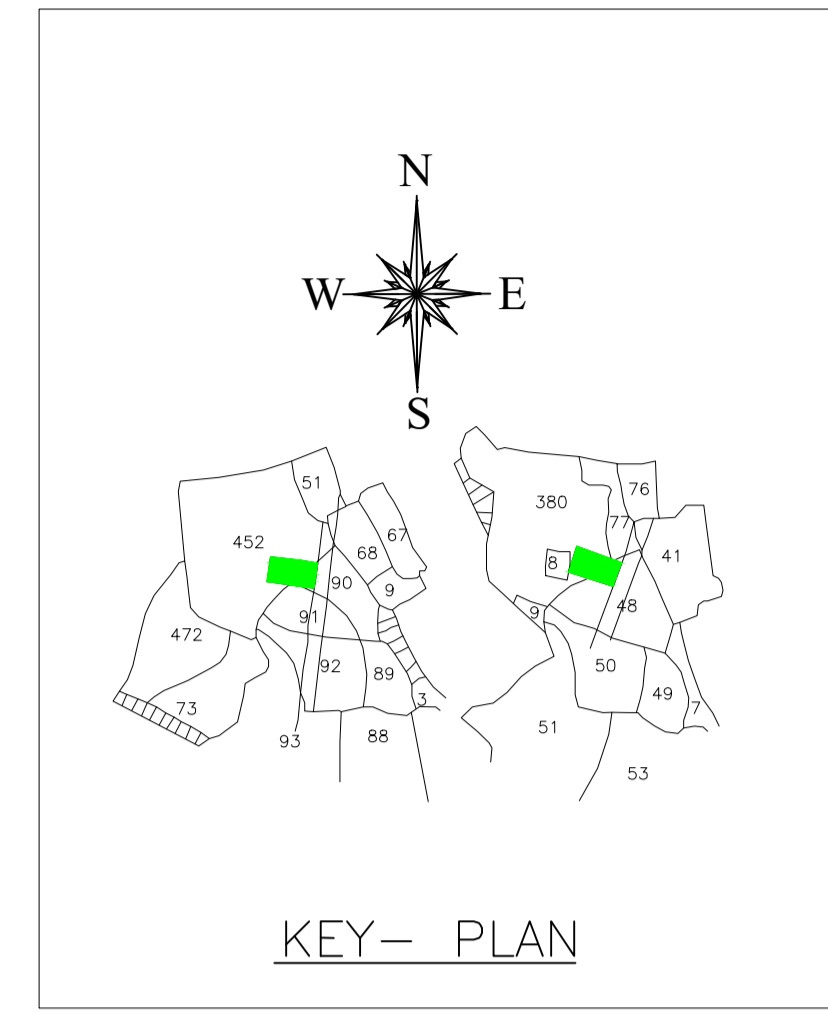
FRONT ELEVATION



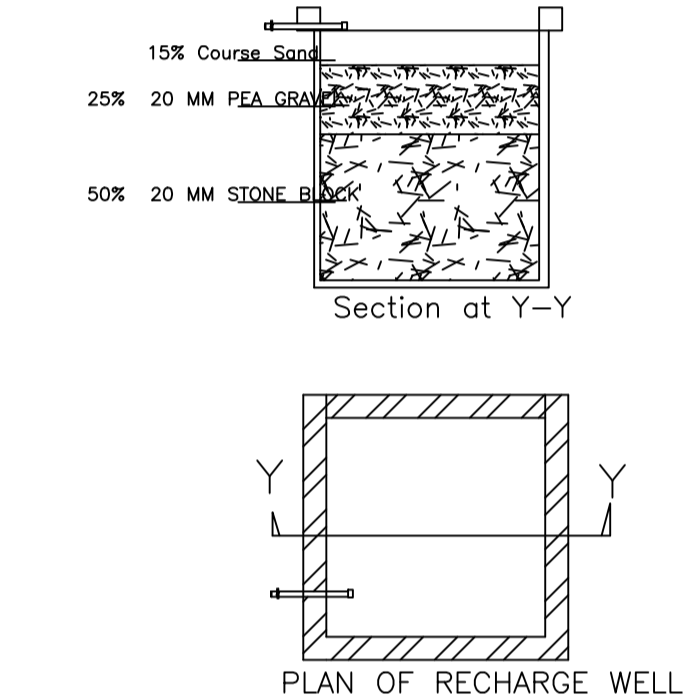
LEFT SIDE ELEVATION



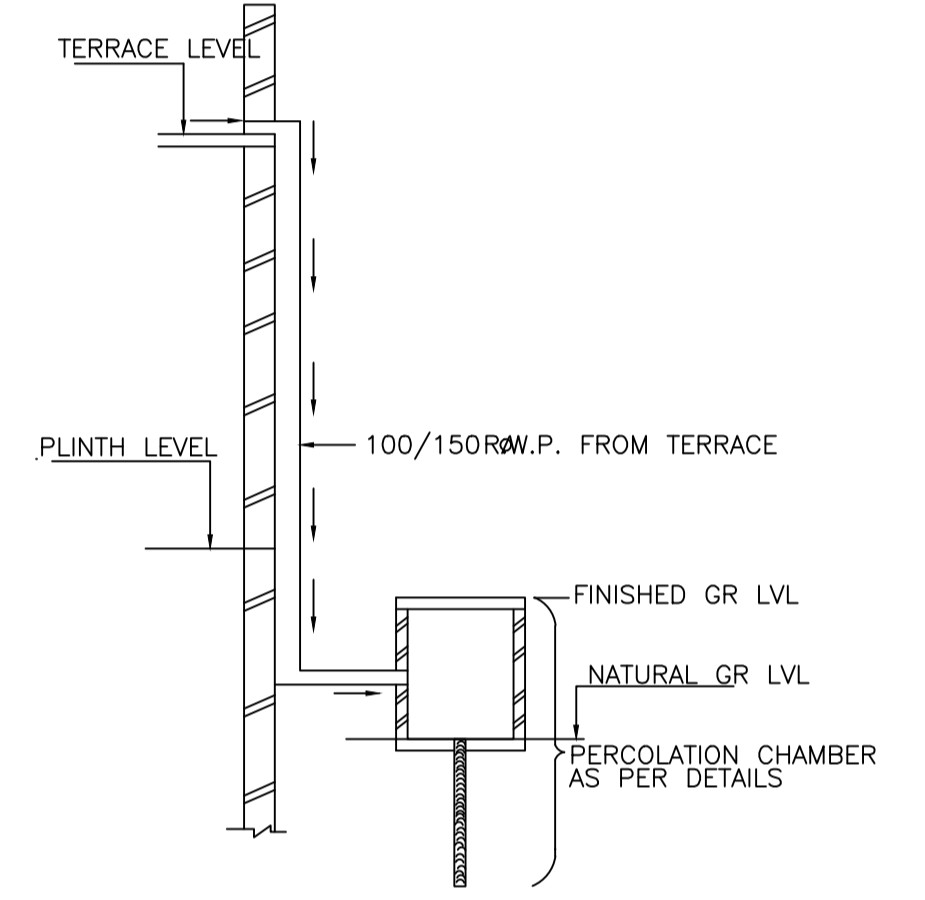
PLAN OF SEPTIC TANK (SCALE:- 1" = 4' - 0")



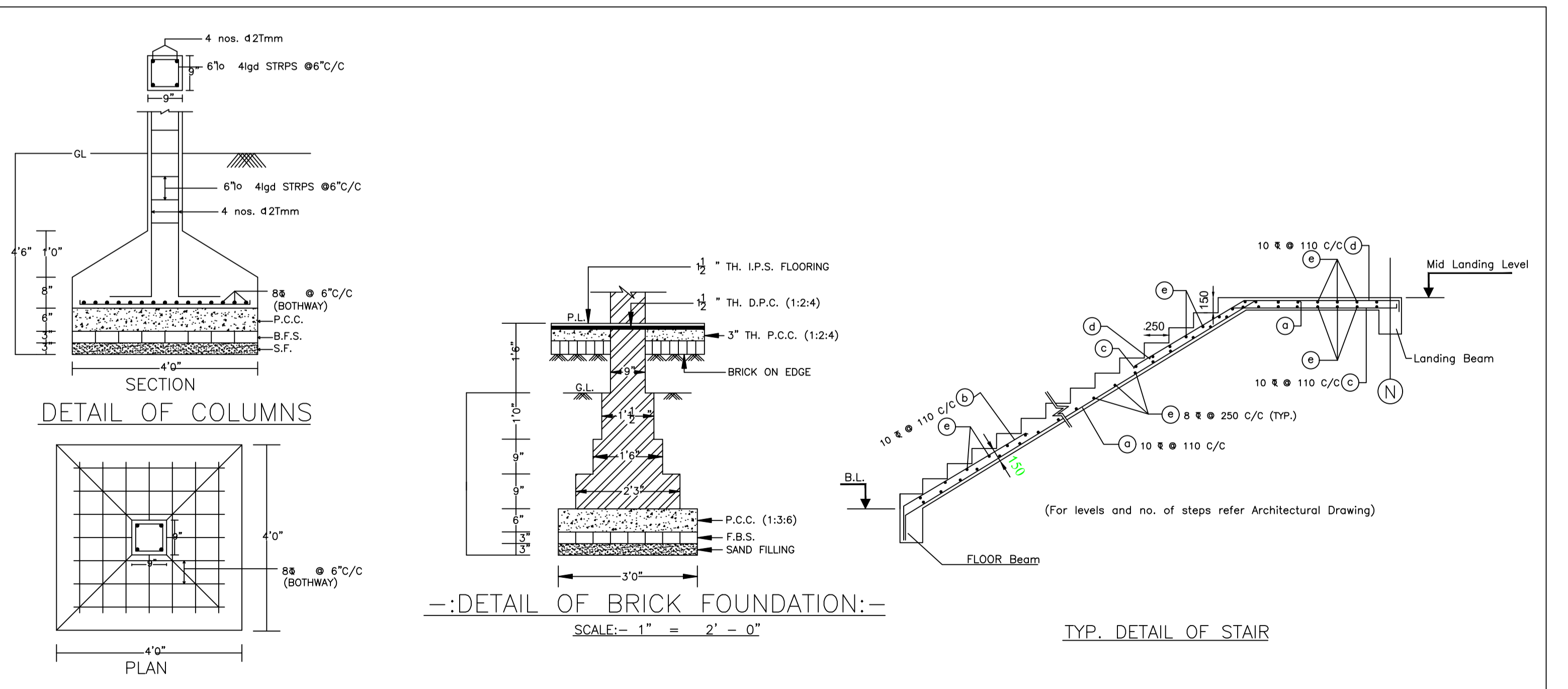
KEY- PLAN



PLAN OF RECHARGE WELL (Scale 1" = 4' 0")



ROOF TOP RAIN WATER COLLECTION SYSTEM



DETAIL OF BRICK FOUNDATION: (SCALE:- 1" = 2' - 0")

TYP. DETAIL OF STAIR

LTP NAME AND SIGNATURE	STRUCTURAL ENG'S NAME AND SIGNATURE	BUILDER NAME AND SIGNATURE	DIGITAL SIGNATURE
RAJEEV RANJAN SINGH MADA/ENG/0004/2019			