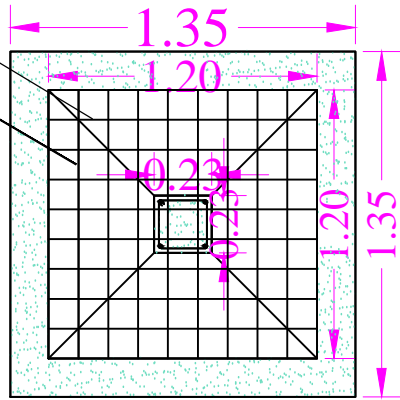
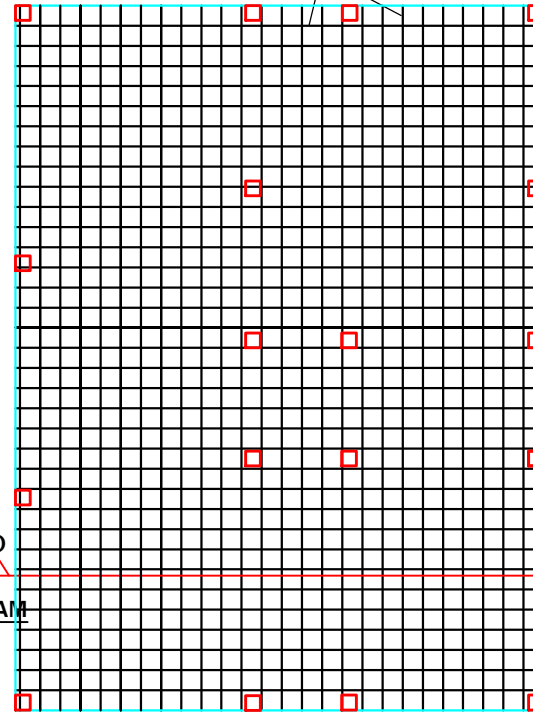


VERTICAL & HORIZONTAL- 12Ø @0.15 C/C

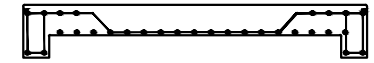
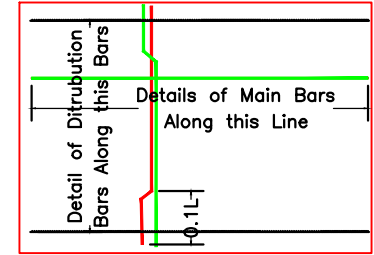


FOUNDATION PLAN

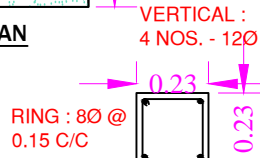
VERTICAL & HORIZONTAL- 12Ø @0.15 C/C



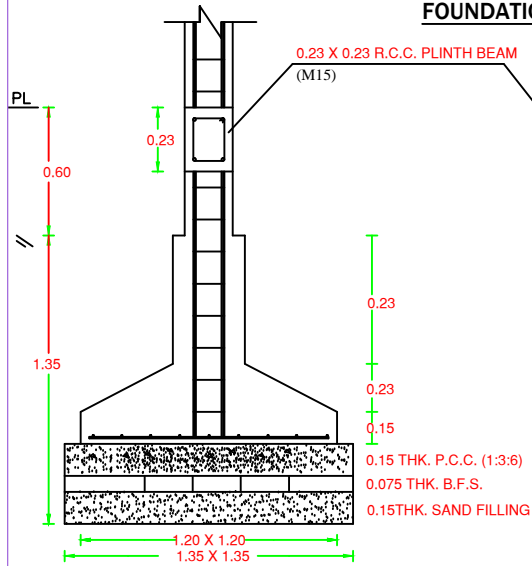
BOTTOM REINFORCEMENT PLAN



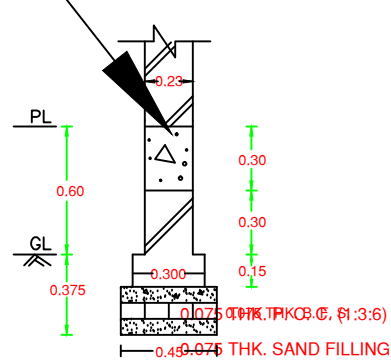
SECTION - D:D



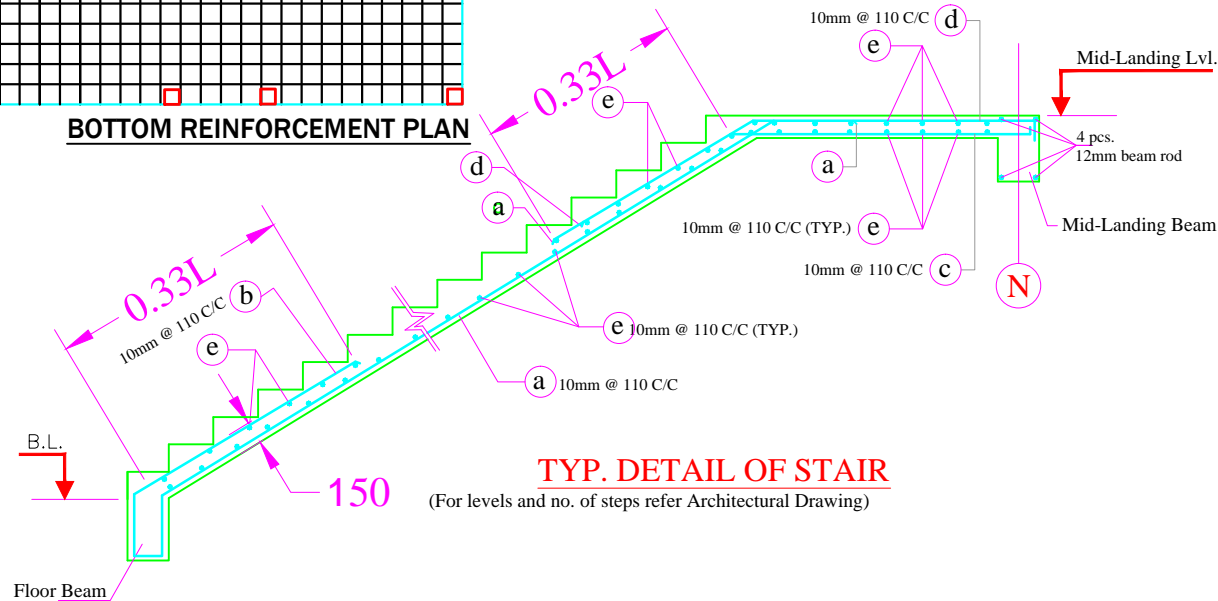
DETAILS OF COLUMN & BEAM



FOUNDATION DETAILS OF COLUMN



FOUNDATION DETAILS OF WALL



TYP. DETAIL OF STAIR

(For levels and no. of steps refer Architectural Drawing)

# Structure Detail