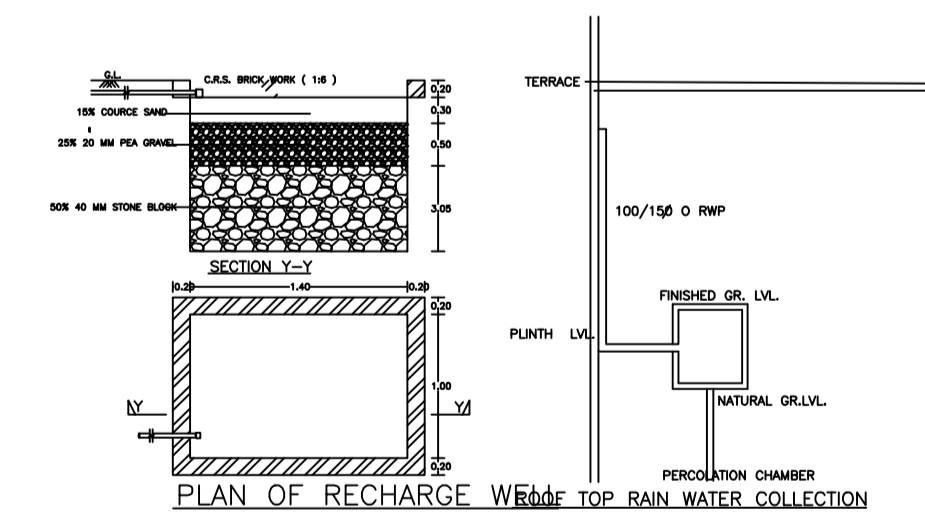
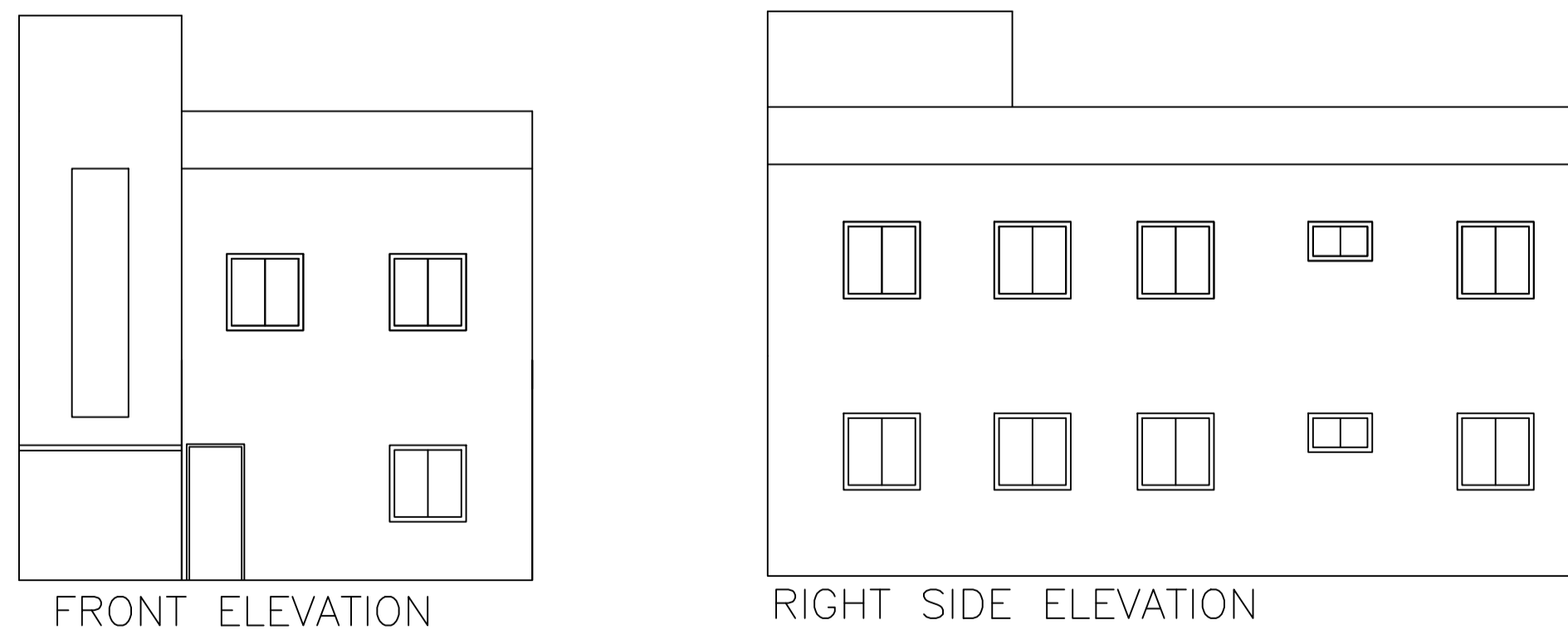
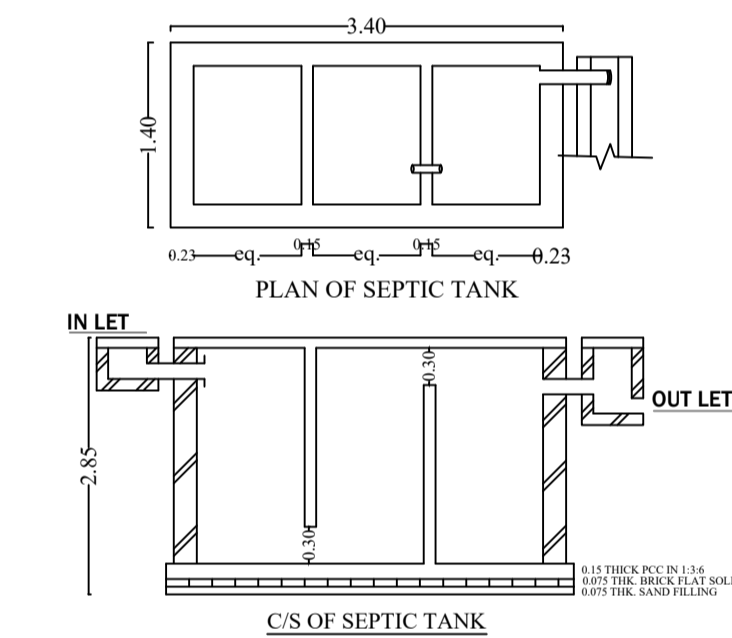
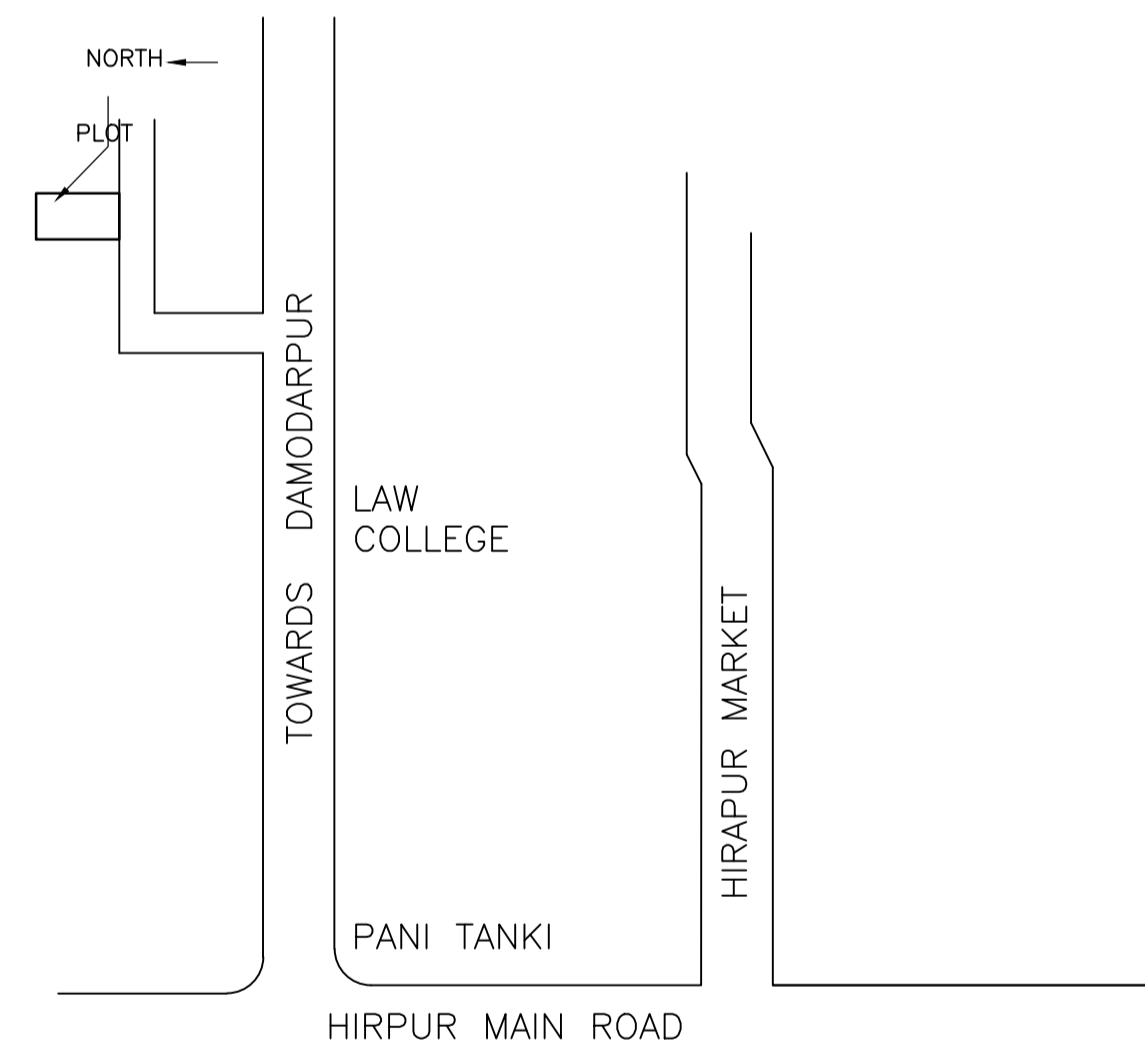
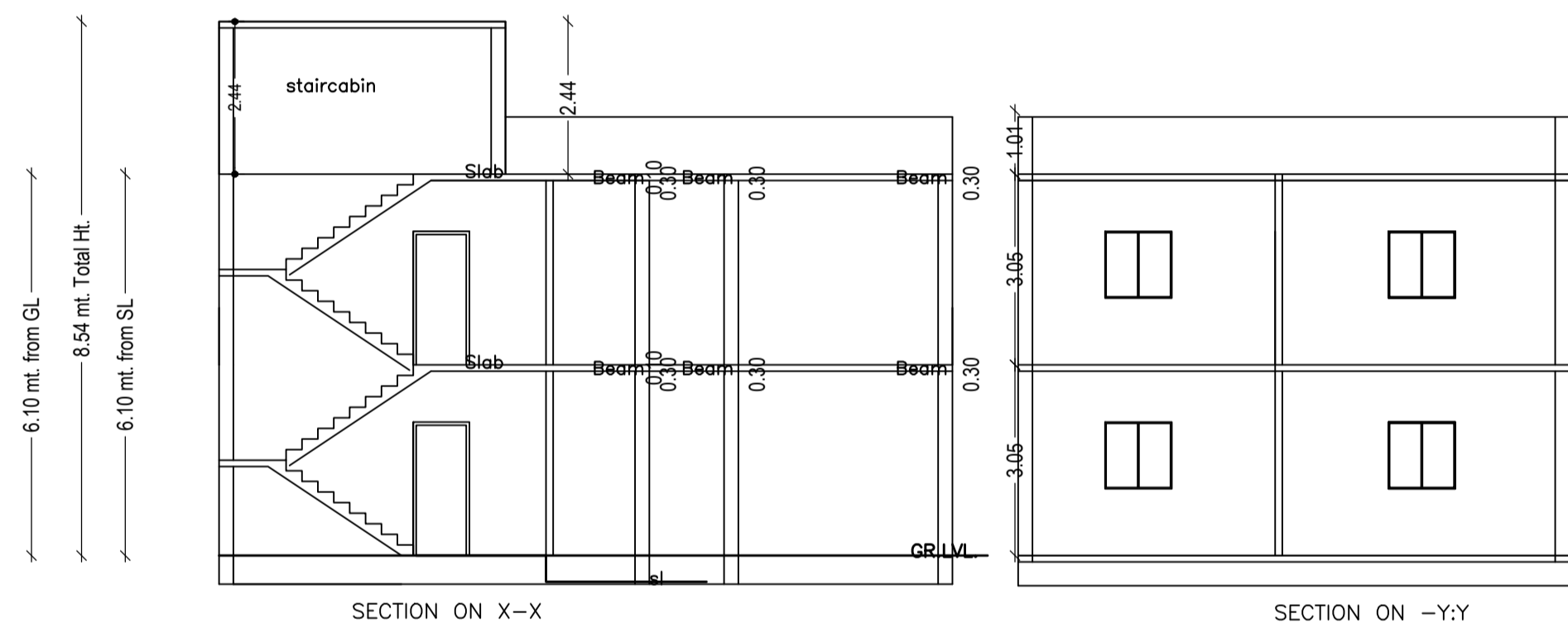
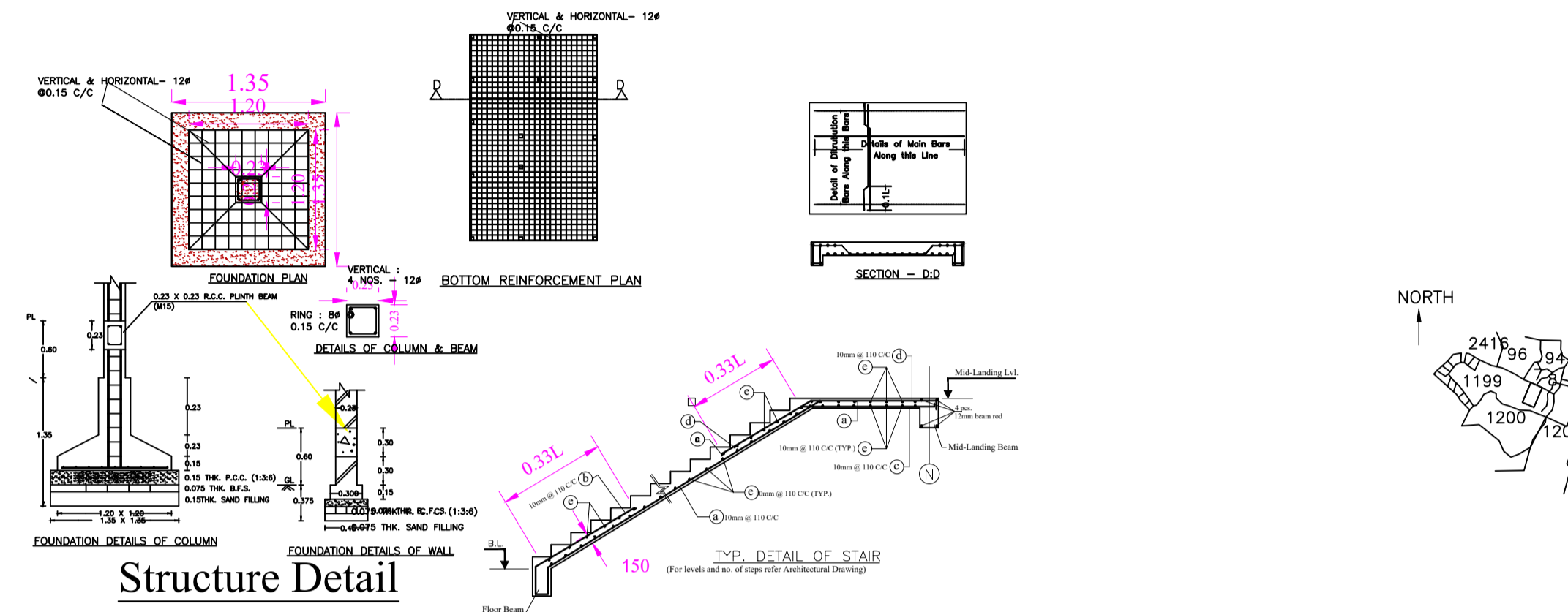
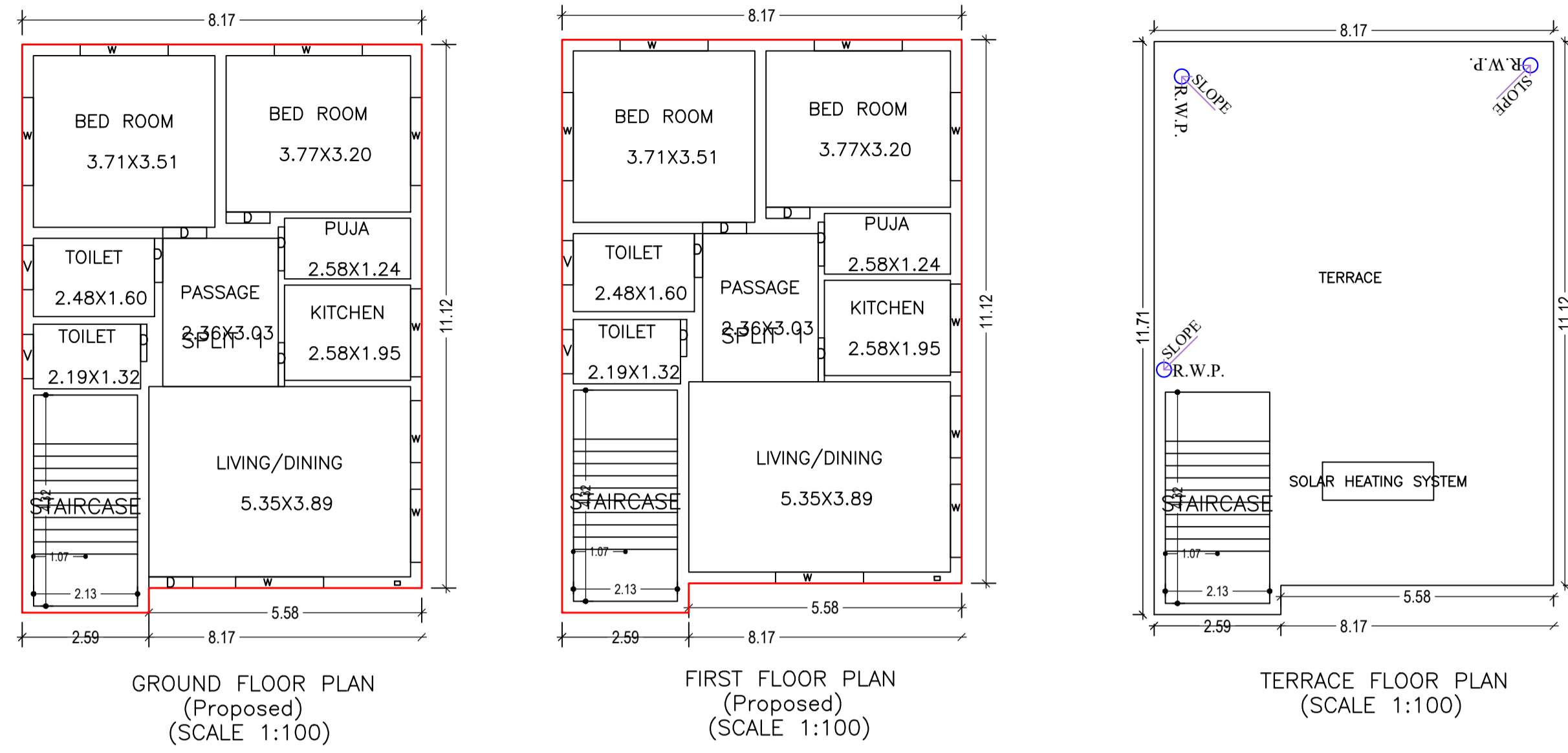




Proposal Basic Information	
Proposal File No.	MADA/BP/0283/2021
Owner Name	RAMESHWAR PRASAD
Khata No	136(N) 62(O)
Plot No	1199(N) 452(O)
Village Name	Damodarpur
Use	Residential
SubUse	Bungalow/ Dwelling / Non Apartment



LTP NAME AND SIGNATURE	STRUCTURAL ENG'S NAME AND SIGNATURE	BUILDER NAME AND SIGNATURE	DIGITAL SIGNATURE
ASHOK KUMAR MADA/ENG/0007/2019			