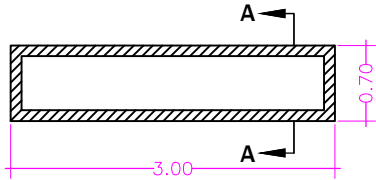
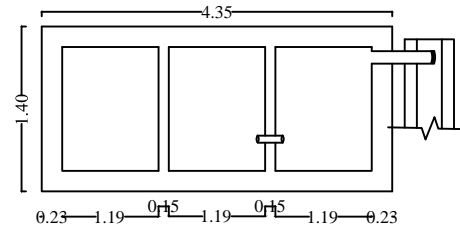


SECTION ON - AA

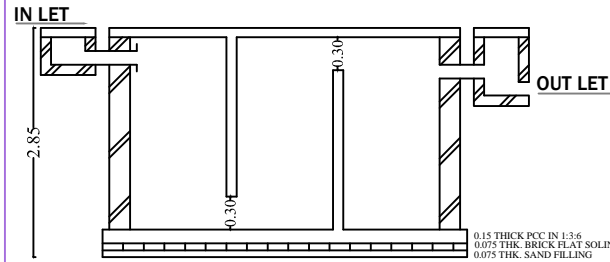


DETAIL'S OF WATER HARVESTING

Rain Water Storage Tank Detail

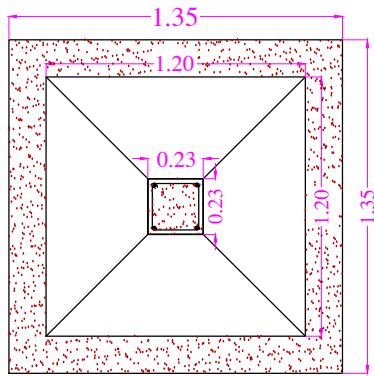


PLAN OF SEPTIC TANK

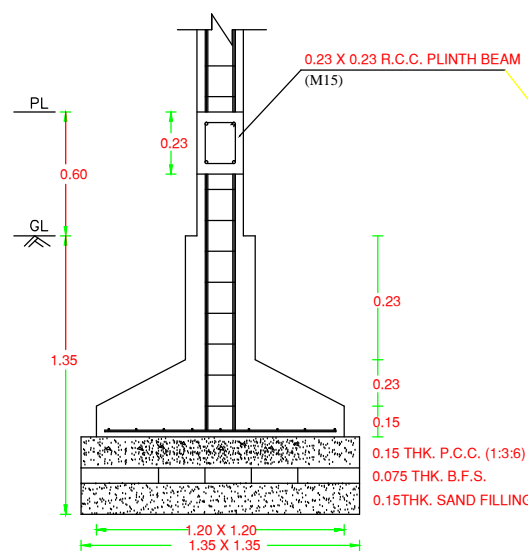


C/S OF SEPTIC TANK

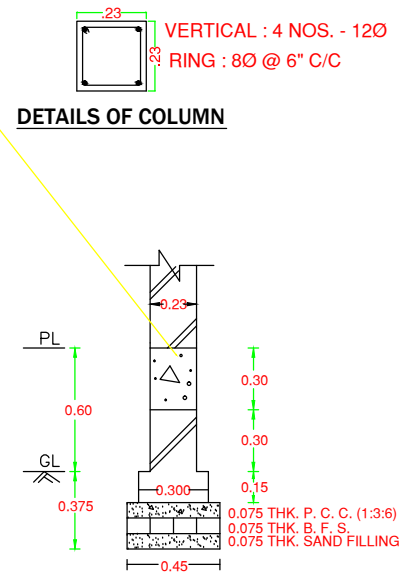
Septic Tank Detail



FOUNDATION PLAN



FOUNDATION DETAILS OF COLUMN



FOUNDATION DETAILS OF WALL

Structure Detail