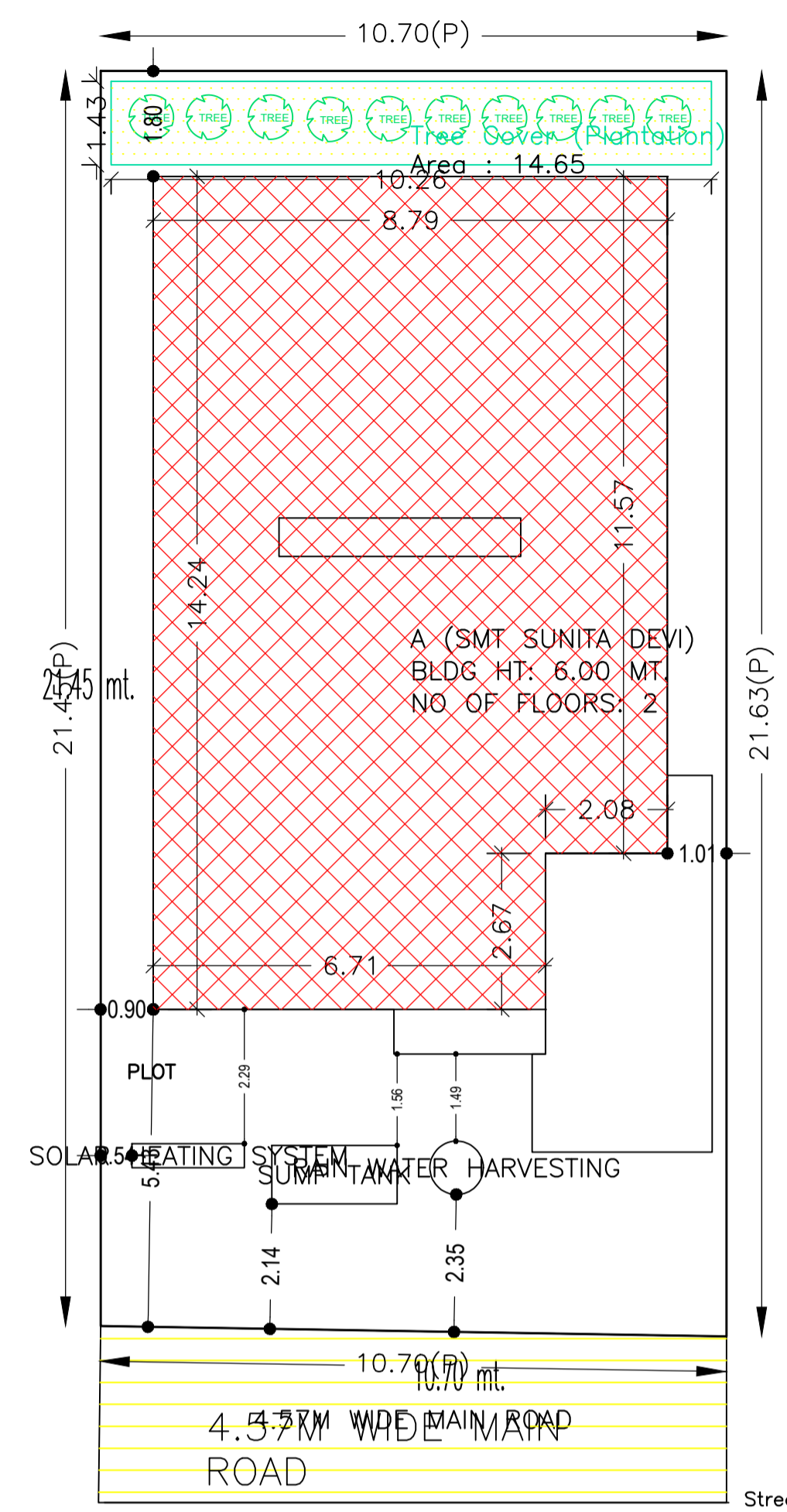
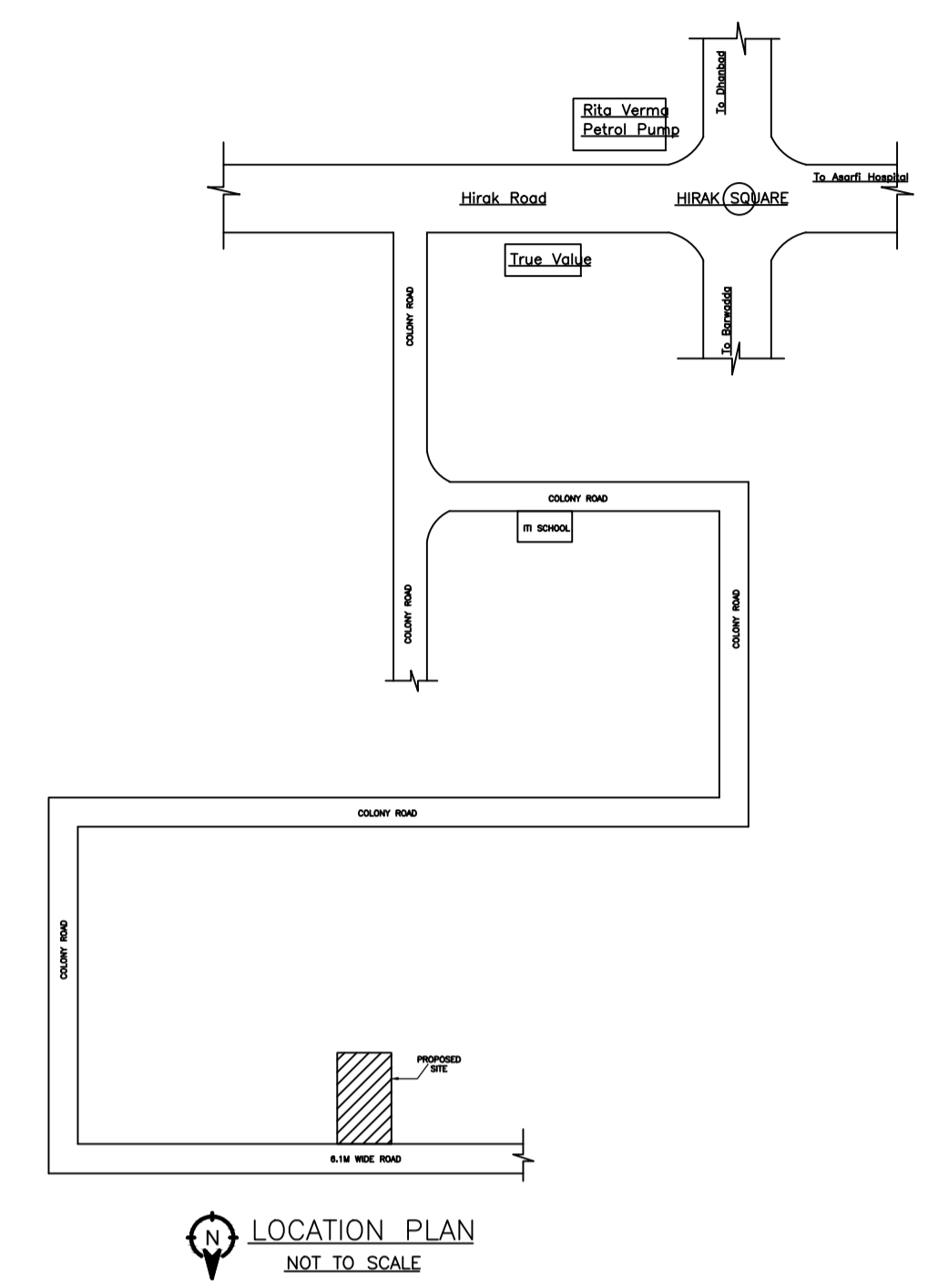


Proposal Basic Information

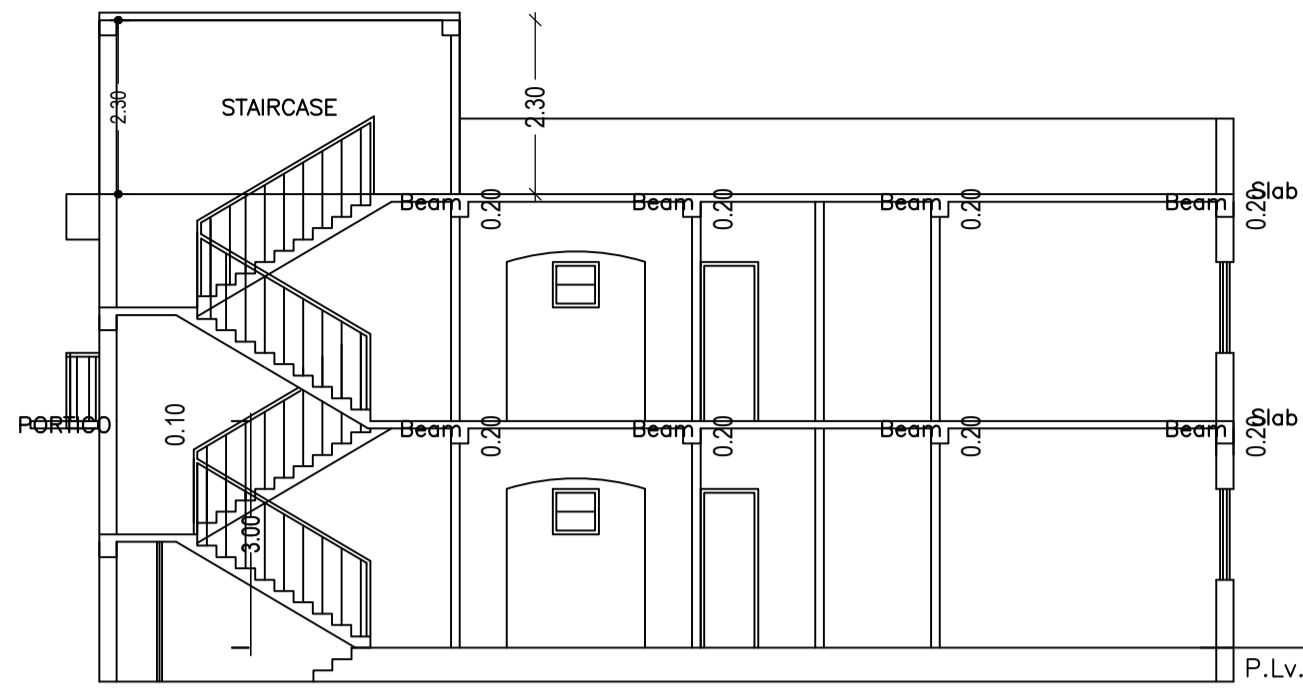
Proposal File No.	MADA/EP/0266/2021
Owner Name	Smt. Sunita Devi
Khata No	07 (OLD) , New Khata No - 58
Plot No	134 135 P (OLD), Plot No. - 108 (NEW)
Village Name	Bagula
Use	Residential
SubUse	Bungalow/ Dwelling / Non Apartment



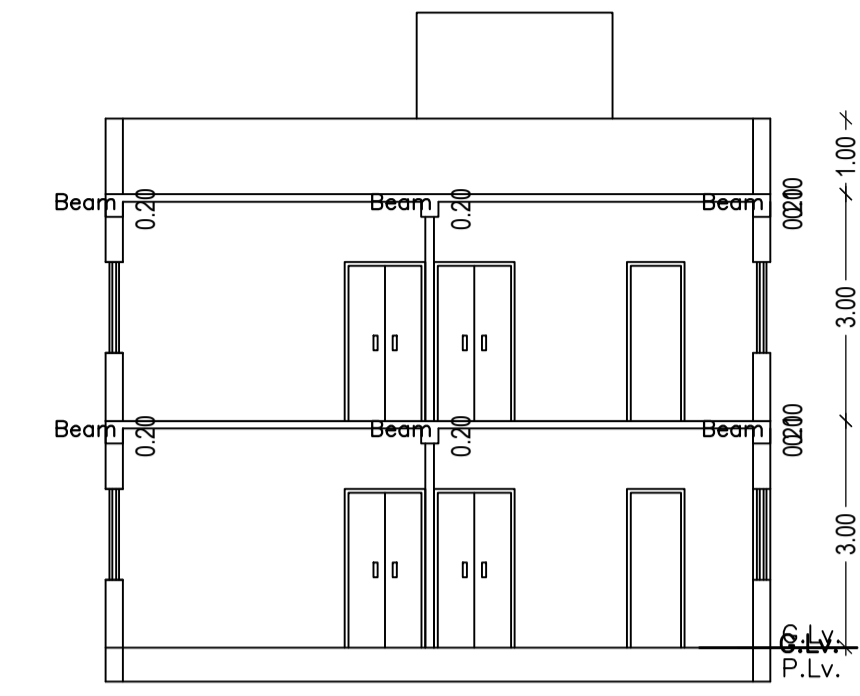
SITE PLAN



LOCATION PLAN NOT TO SCALE



Section on X-X



Section on Y-Y



Front Elevation



Right Side Elevation

AREA STATEMENT MINERAL AREA DEVELOPMENT AUTHORITY	VERSION NO.: 1.0.61	VERSION DATE: 16/10/2020
PROJECT DETAIL:		
Region: JHARKHAND URBAN LOCAL BODIES	Plot Use: Residential	
District: DHANBAD	Plot SubUse: Bungalow/ Dwelling / Non Apartment	
Authority: MINERAL AREA DEVELOPMENT AUTHORITY	PlotNearby/ReligiousStructure: NA	
Inward No: MADA/EP/0266/2021	Plot/SubPlot No: 134 135 P (OLD), Plot No. - 108 (NEW)	
Application Type: General Proposal	North: Road Width - 4.57M WIDE PROPOSED ROAD	
Project Type: Building Permission	South: Plot No. - PLOT NO. 135 PART	
Nature of Development: New	East: Plot No. - PART OF THIS PLOT	
Location of Development Area: Old Area	West: Plot No. - PLOT NO 133	
AREA DETAILS:		
AREA OF PLOT (Minimum)	(A)	SQ.MT. 230.49
NET AREA OF PLOT(Gross Plot Area - Deduction from Gross Plot area)	(A-Deductions)	230.49
Deduction for Balance Plot Area(from Gross Plot Area)		
Common Plot		14.65
Total		14.65
BALANCE AREA OF PLOT(Net Plot Area - Recreational/Amenity space)	(A-Deductions)	215.84
PLOT AREA FOR COVERAGE(Net Plot Area)	(A-Deductions)	230.49
Plot Area for FAR (Net Plot Area + RoadWidening Area)	(A-Deductions)	230.49
COVERAGE CHECK		
Permissible Coverage area (70.00 %)		161.34
Proposed Coverage Area (51.89 %)		119.60
Total Prop. Coverage Area (51.89 %)		119.60
Balance coverage area (18.11 %)		41.74
FAR CHECK		
Perm. FAR Area (1.50)		345.74
Total Perm. FAR area		345.74
Residential FAR		246.21
Proposed FAR Area		246.21
Total Proposed FAR Area		246.21
Consumed FAR (Factor)		1.07
Balance FAR Area		99.53
BUILT UP AREA CHECK		
Total Proposed BuiltUp Area		261.11
ARCHITECT (Regd)		AMRESH KUMAR BHARTI
ENGINEER (Regd)		
SUPERVISOR (Regd)		
OWNER (Regd)		Smt. Sunita Devi
DEVELOPMENT AUTHORITY LOCAL BODY		

COLOR INDEX	
PLOT BOUNDARY	Black
ABUTTING ROAD	Green
PROPOSED CONSTRUCTION	Red
COMMON PLOT	Yellow
ROAD WIDENING AREA	Blue
EXISTING (To be retained)	Light Blue
EXISTING (To be demolished)	Dark Blue

Buildingwise Floor FAR Details				
Floor Name	Building Name A (SMT SUNITA DEVI)		Total	
	Proposed Built Up Area (Sq.mt.)	Proposed FAR Area (Sq.mt.)	Total Proposed Built Up Area (Sq.mt.)	Total FAR Area (Sq.mt.)
Ground Floor	134.50	119.60	134.50	119.60
First Floor	126.61	126.61	126.61	126.61
Terrace Floor	0.00	0.00	0.00	0.00
Total:	261.11	246.21	261.11	246.21

Building USE/SUBUSE Details			
Building Name	Building Use	Building SubUse	Building Structure
A (SMT SUNITA DEVI)	Residential	Bungalow/ Dwelling / Non Apartment	Non-Highrise

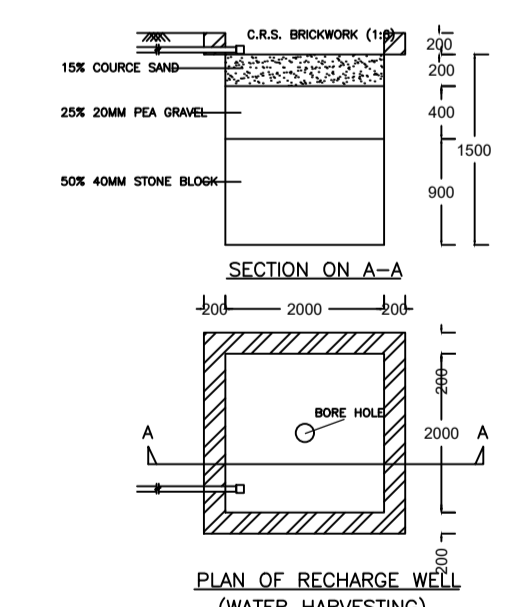
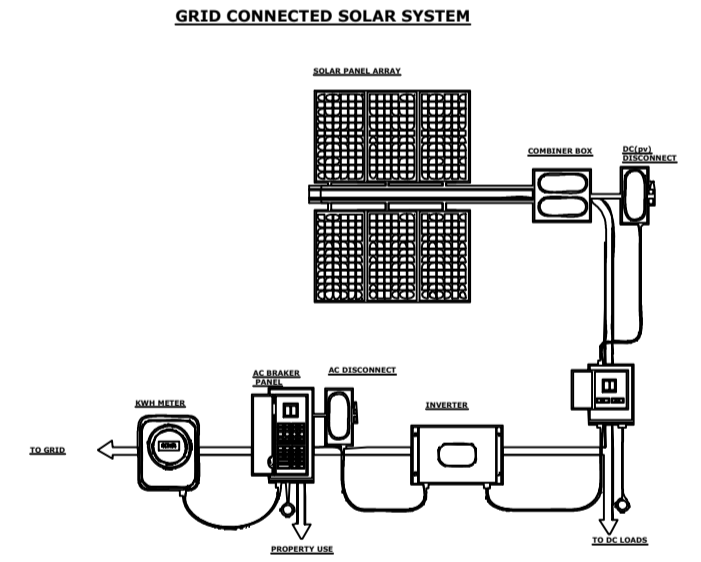
UnitBUA Table for Building :A (SMT SUNITA DEVI)						
FLOOR	Name	UnitBUA Type	UnitBUA Area	Carpet Area	No. of Rooms	No. of Tenement
GROUND FLOOR PLAN	SPLIT 1	FLAT	246.21	245.69	9	1
FIRST FLOOR PLAN	SPLIT 1	FLAT	0.00	0.00	10	0
Total:	-	-	246.21	245.69	19	1

FAR & Tenement Details (Table 4c-1)							
Building	No. of Same Bldg	Total Built Up Area (Sq.mt.)	Deductions (Area in Sq.mt.) Archi Proj.	Proposed FAR Area (Sq.mt.) Resi.	Total FAR Area (Sq.mt.)	Total Consumed Additional FAR Area (Sq.mt.)	Trmt (No.)
A (SMT SUNITA DEVI)	1	261.11	14.90	246.21	246.21	246.21	01
Grand Total:	1	261.11	14.90	246.21	246.21	246.21	01

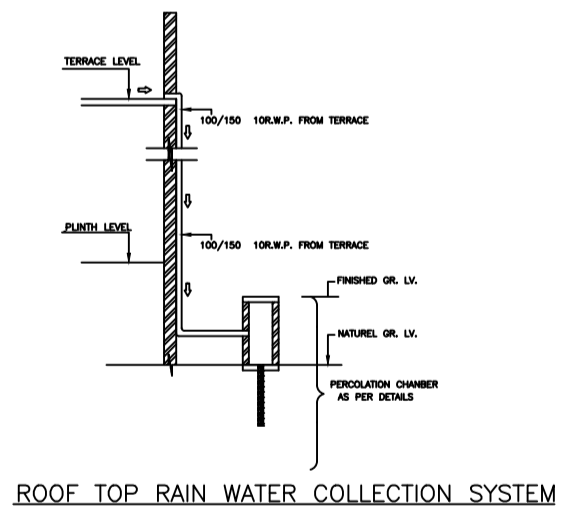
SCHEDULE OF DOOR:				
BUILDING NAME	NAME	LENGTH	HEIGHT	NOS
A (SMT SUNITA DEVI)	D2	0.75	2.10	04
A (SMT SUNITA DEVI)	D	0.90	2.10	01
A (SMT SUNITA DEVI)	D	1.00	2.10	10
A (SMT SUNITA DEVI)	D	1.83	2.10	02

SCHEDULE OF WINDOW/VENTILATION:				
BUILDING NAME	NAME	LENGTH	HEIGHT	NOS
A (SMT SUNITA DEVI)	V	0.60	0.60	06
A (SMT SUNITA DEVI)	W	1.20	1.20	25

Building :A (SMT SUNITA DEVI)						
Floor Name	Total Built Up Area (Sq.mt.)	Deductions (Area in Sq.mt.) Archi Proj.	Proposed FAR Area (Sq.mt.) Resi.	Total FAR Area (Sq.mt.)	Total Consumed Additional FAR Area (Sq.mt.)	Tnmt (No.)
Ground Floor	134.50	14.90	119.60	119.60	119.60	01
First Floor	126.61	0.00	126.61	126.61	126.61	00
Terrace Floor	0.00	0.00	0.00	0.00	0.00	00
Total:	261.11	14.90	246.21	246.21	246.21	01
Total Number of Same Buildings	1					
Total:	261.11	14.90	246.21	246.21	246.21	01

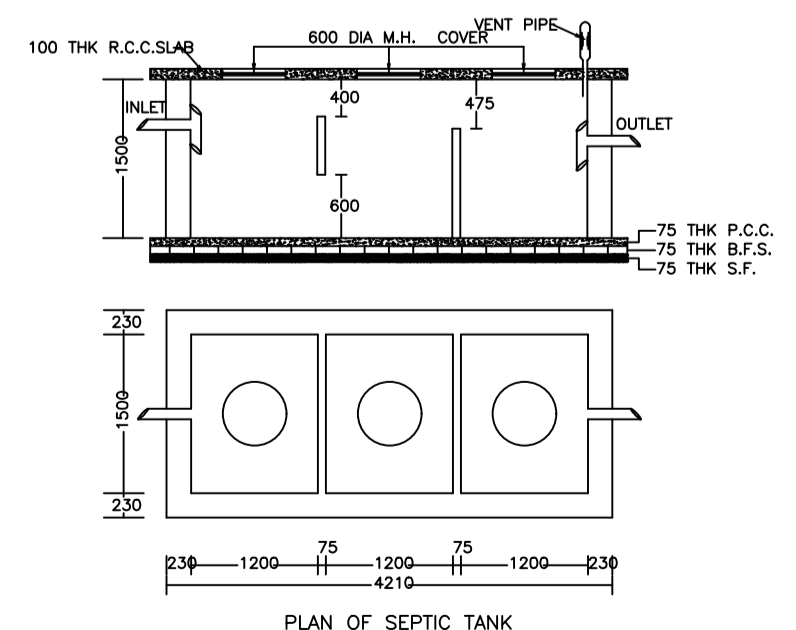


SECTION ON A-A

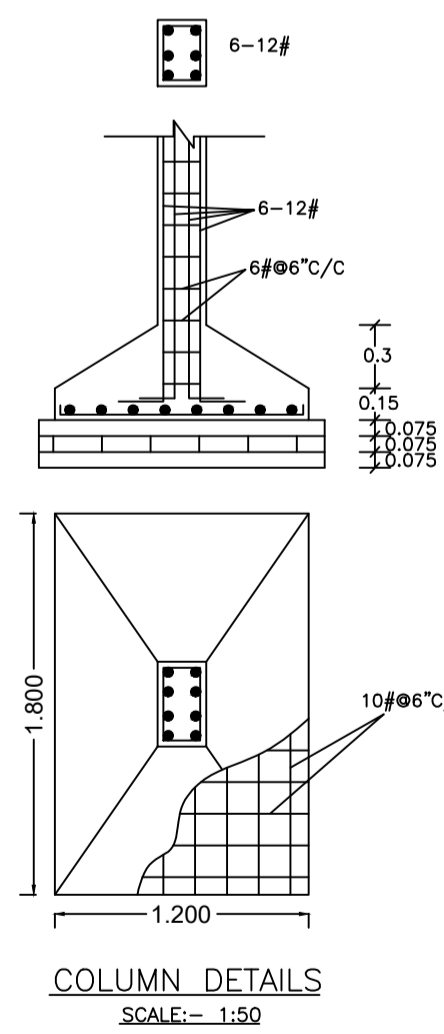


ROOF TOP RAIN WATER COLLECTION SYSTEM

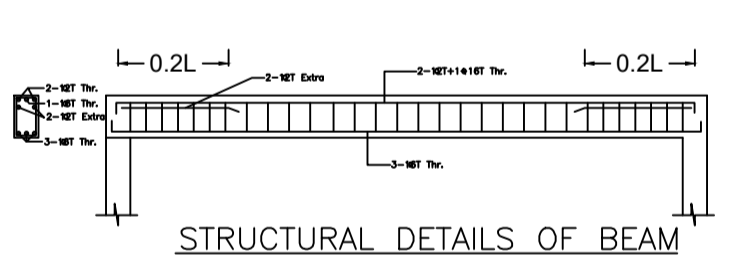
PLAN OF RECHARGE WELL (WATER HARVESTING)



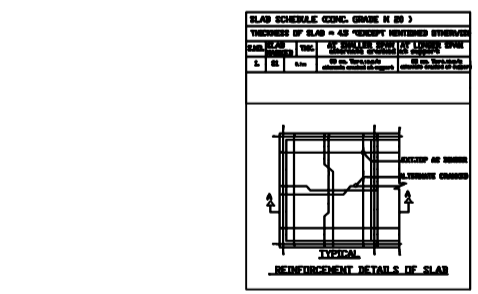
PLAN OF SEPTIC TANK



COLUMN DETAILS SCALE: 1:50

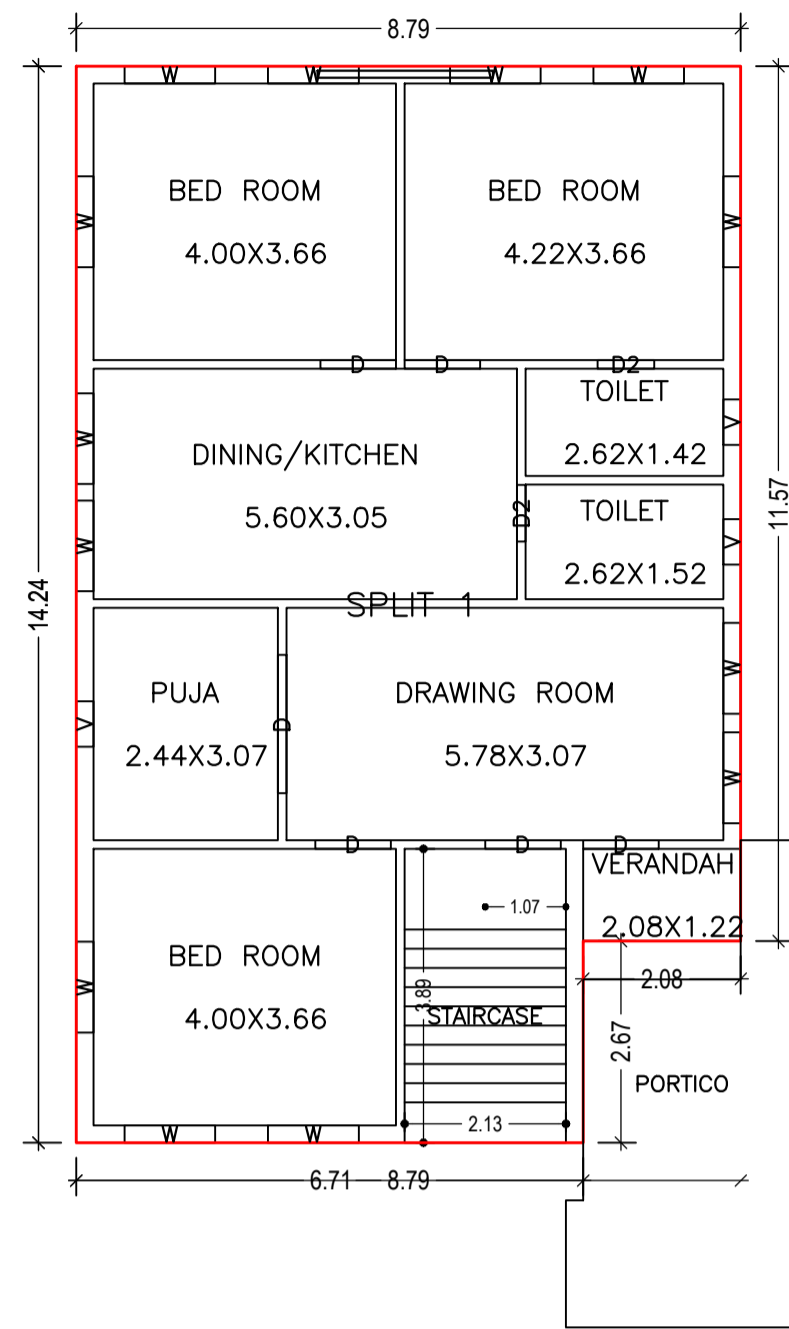


STRUCTURAL DETAILS OF BEAM

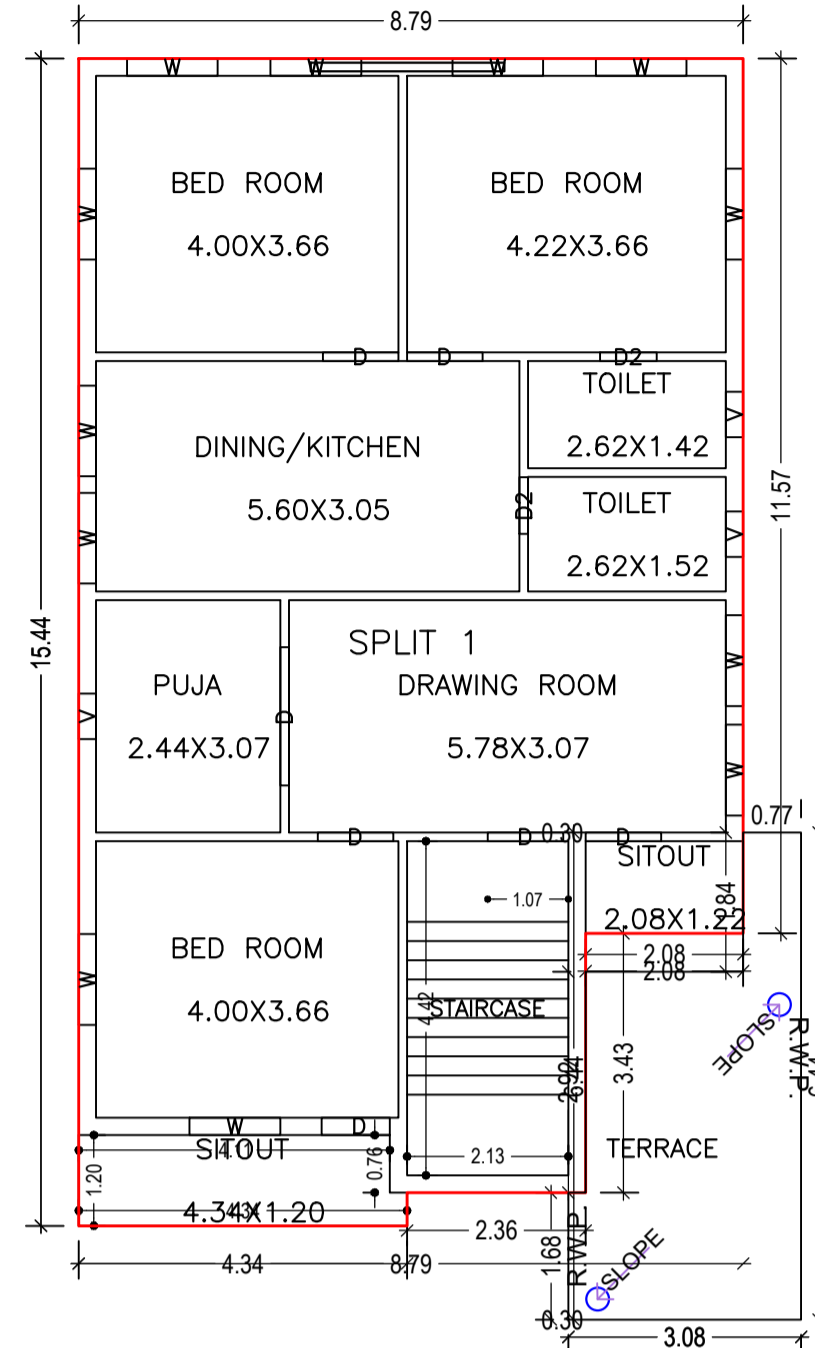


TYP. DETAIL OF STAIR

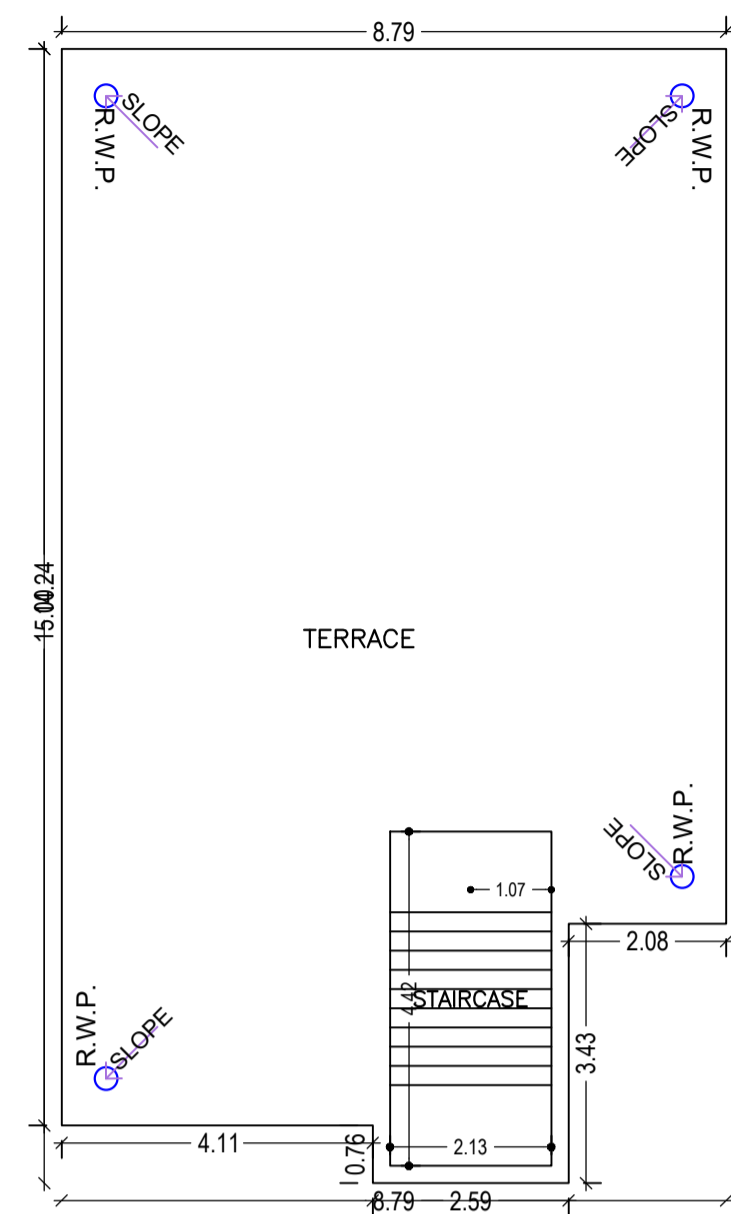
Proposal Basic Information	
Proposal File No.	MADA/EP/0266/2021
Owner Name	Smt. Sunita Devi
Khata No	07 (OLD) , New Khata No - 58
Plot No	134 135 P (OLD), Plot No. - 108 (NEW)
Village Name	Bagula
Use	Residential
SubUse	Bungalow/ Dwelling / Non Apartment



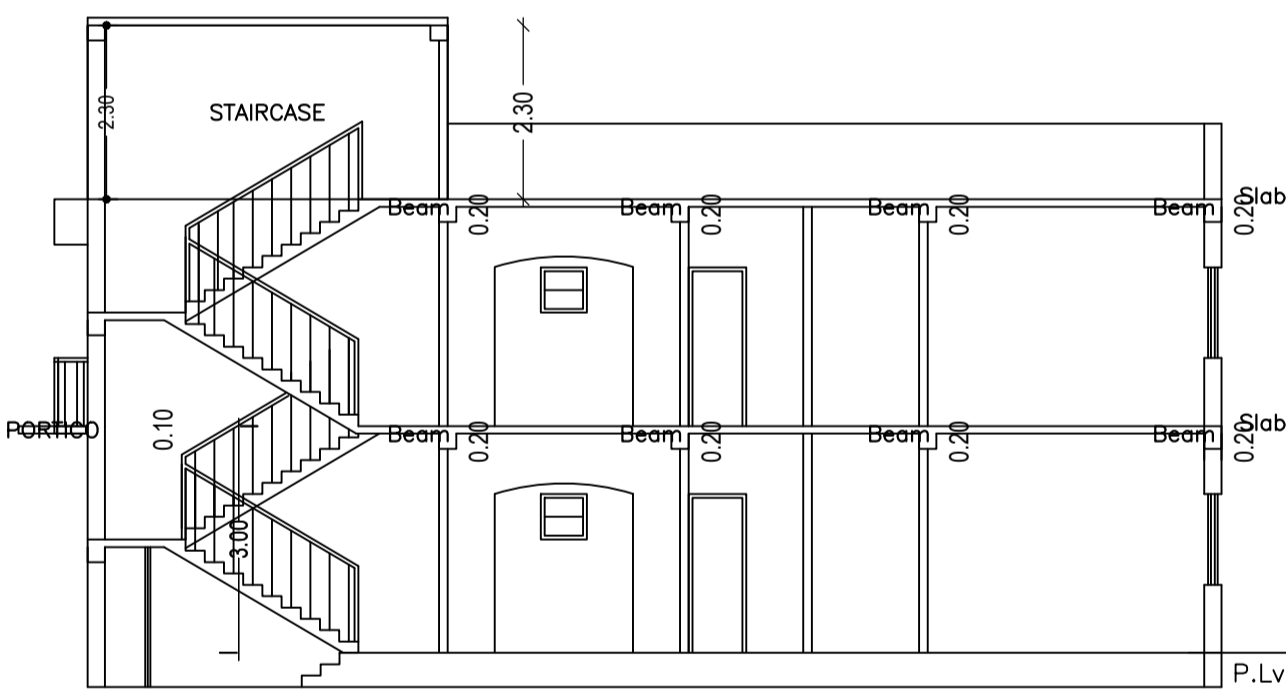
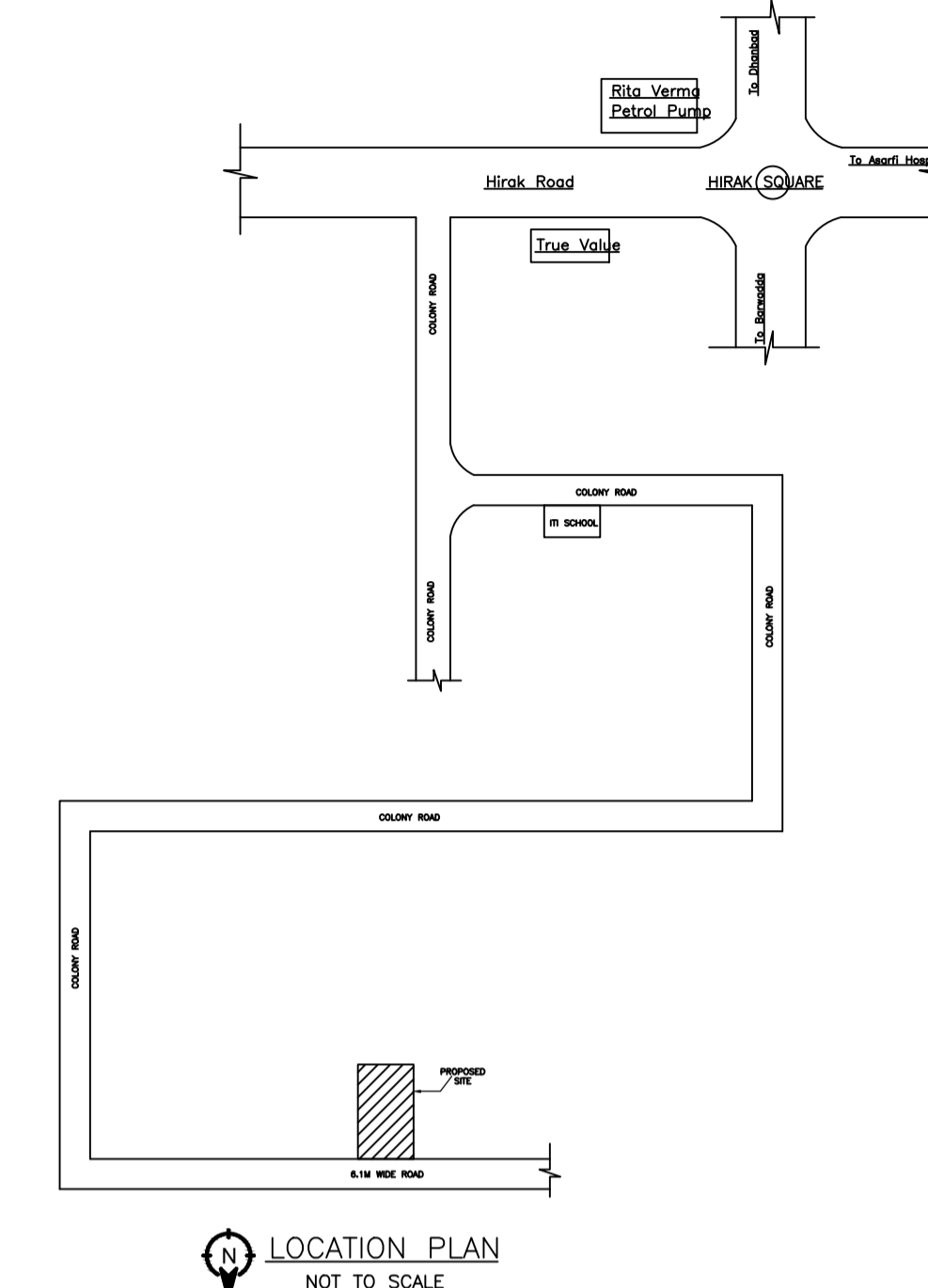
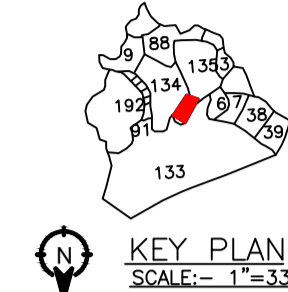
GROUND FLOOR PLAN
(Proposed)
(SCALE 1:100)



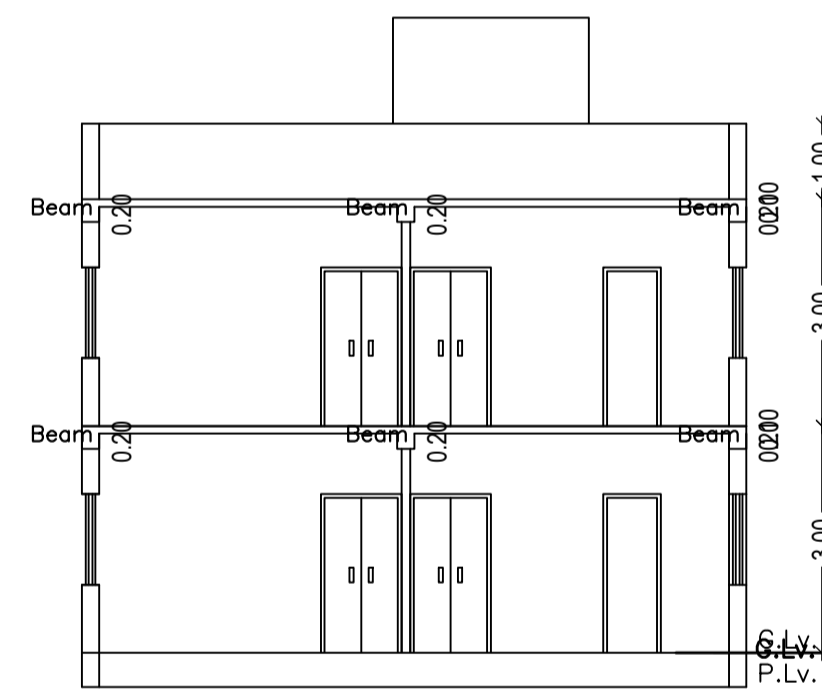
FIRST FLOOR PLAN
(Proposed)
(SCALE 1:100)



TERRACE FLOOR PLAN
(SCALE 1:100)



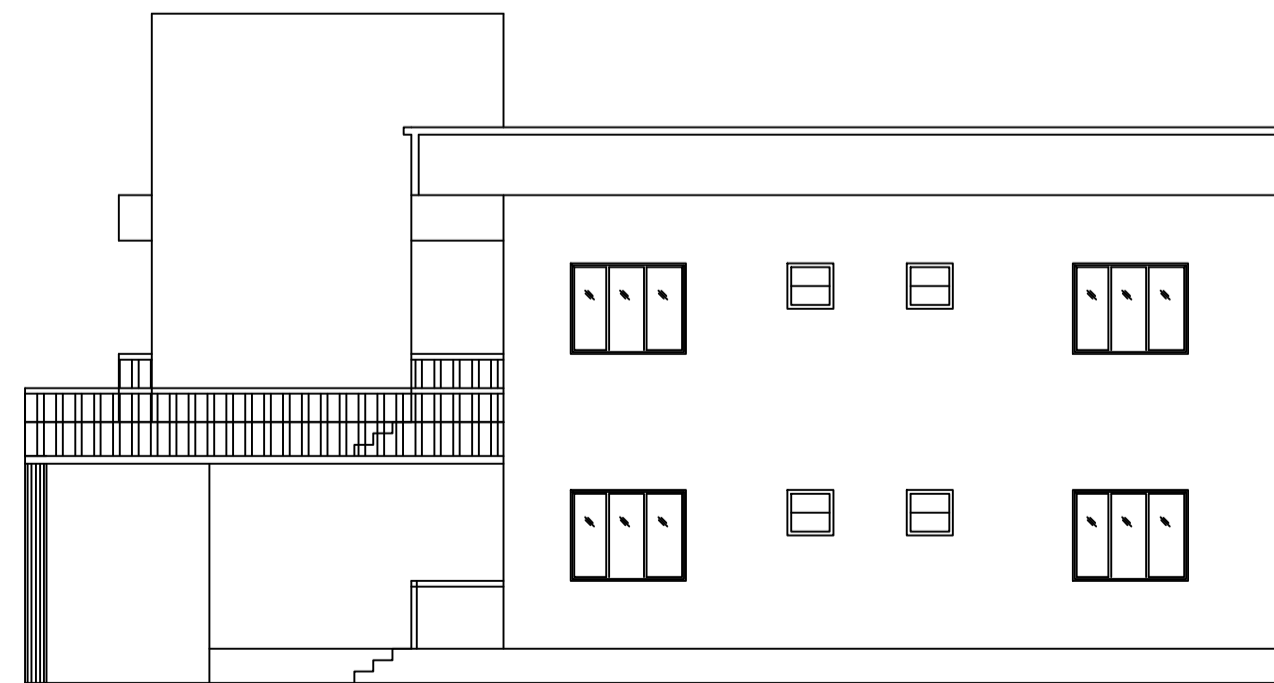
Section on X-X



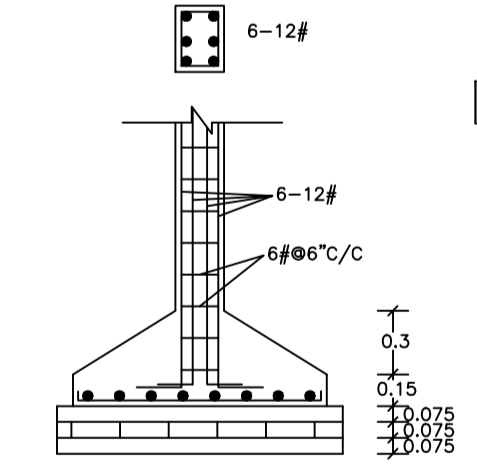
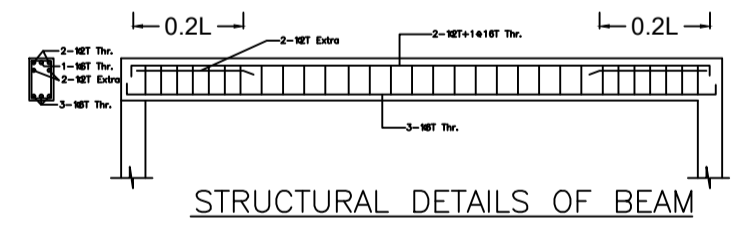
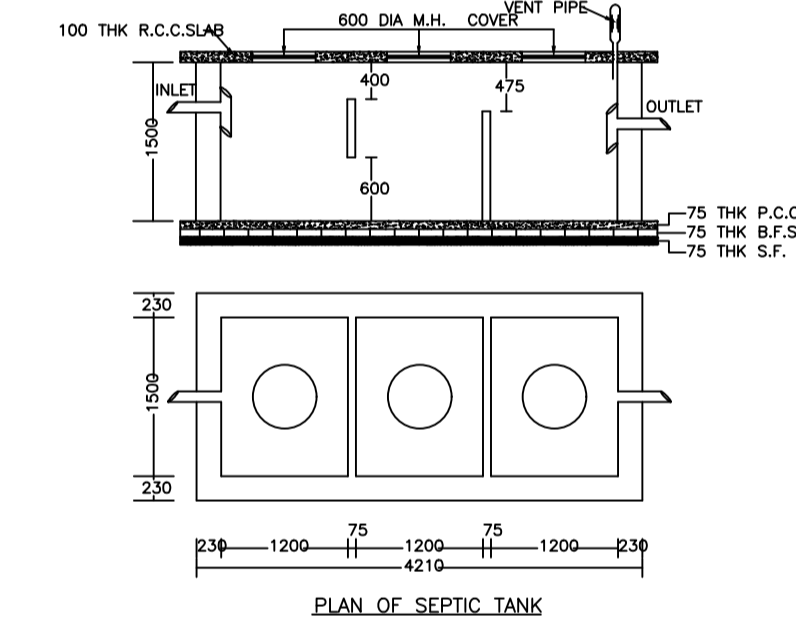
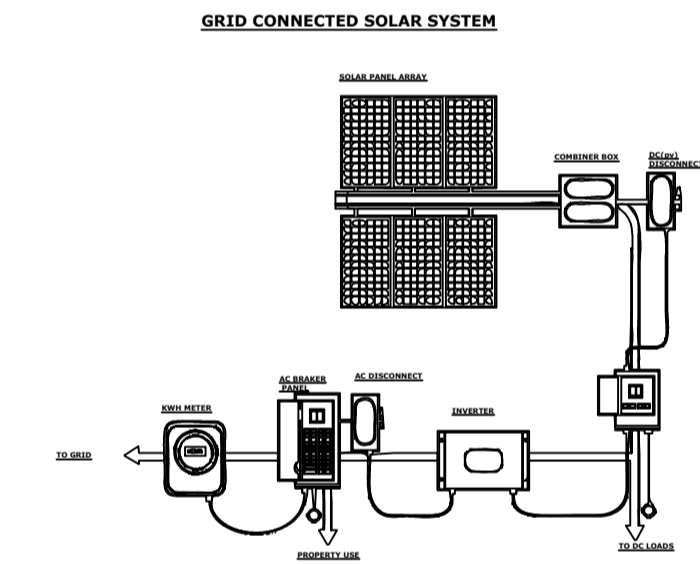
Section on Y-Y



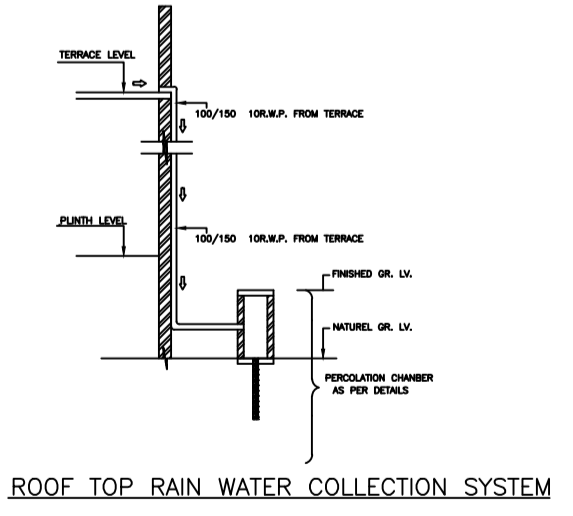
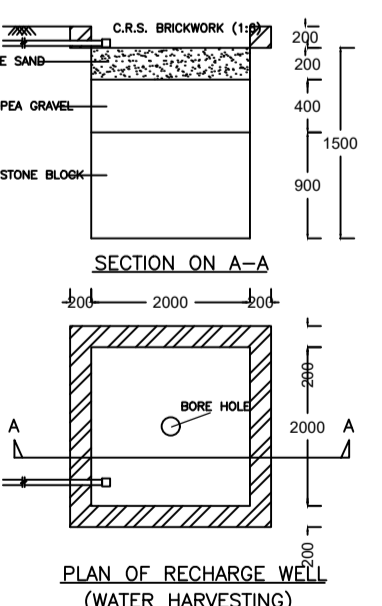
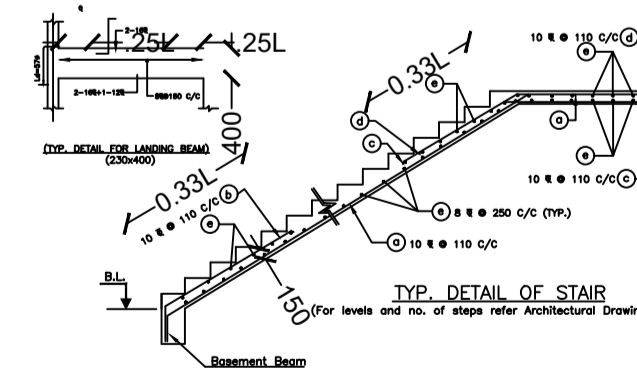
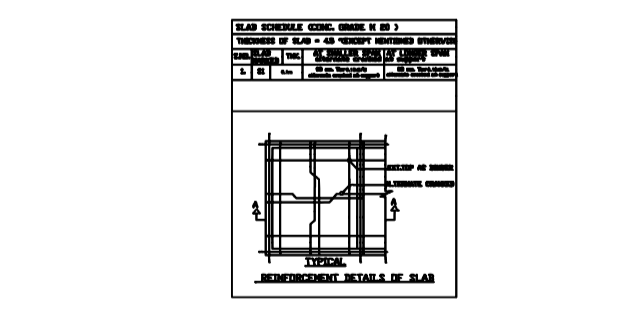
Front Elevation



Right Side Elevation



COLUMN DETAILS
SCALE:- 1:50



LTP NAME AND SIGNATURE	STRUCTURAL ENG'S NAME AND SIGNATURE	BUILDER NAME AND SIGNATURE	DIGITAL SIGNATURE
AMRESH KUMAR BHARTI MADA/ENG/0003/2021			