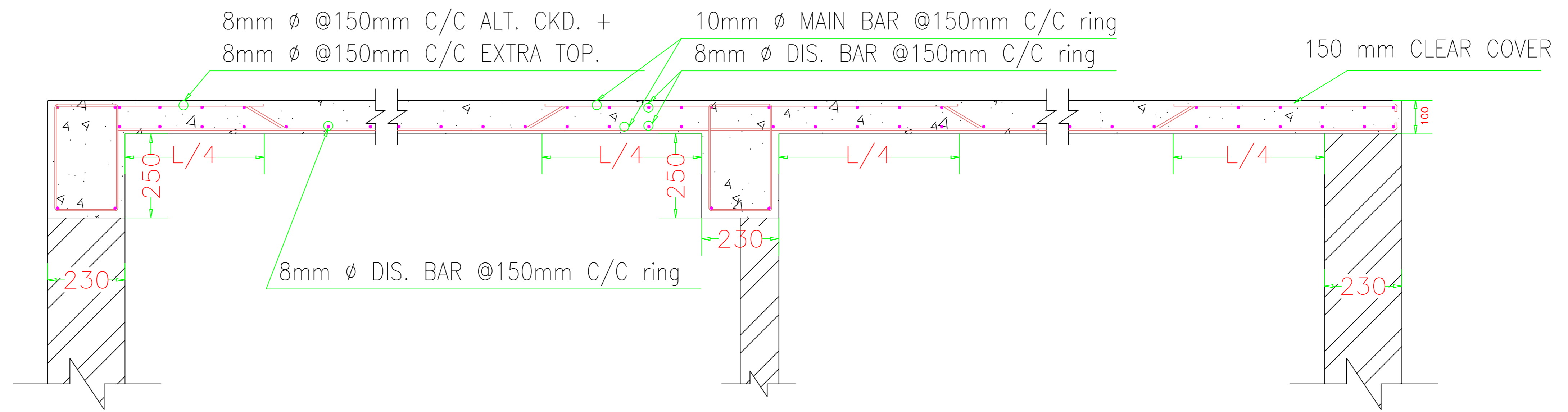
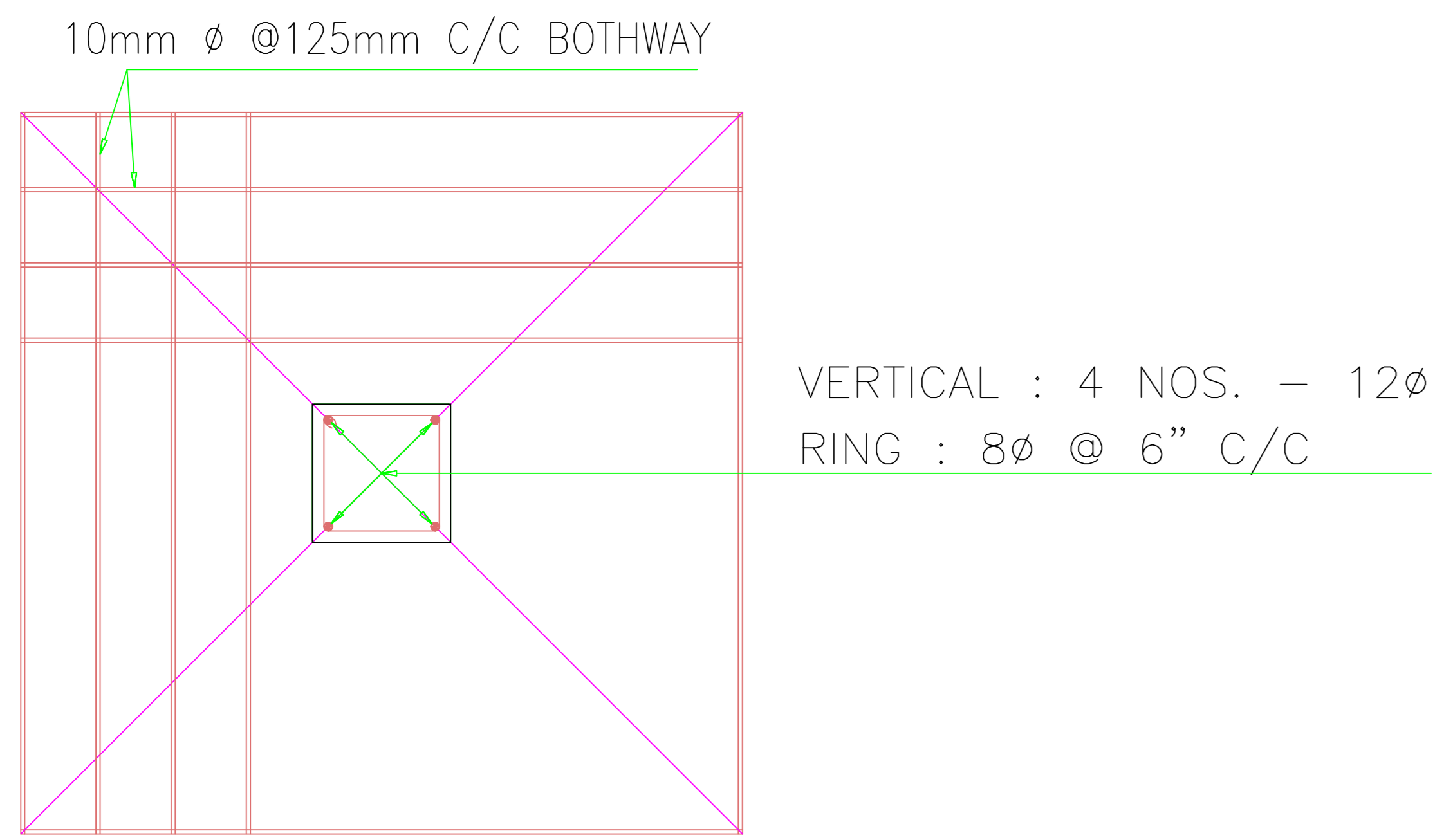
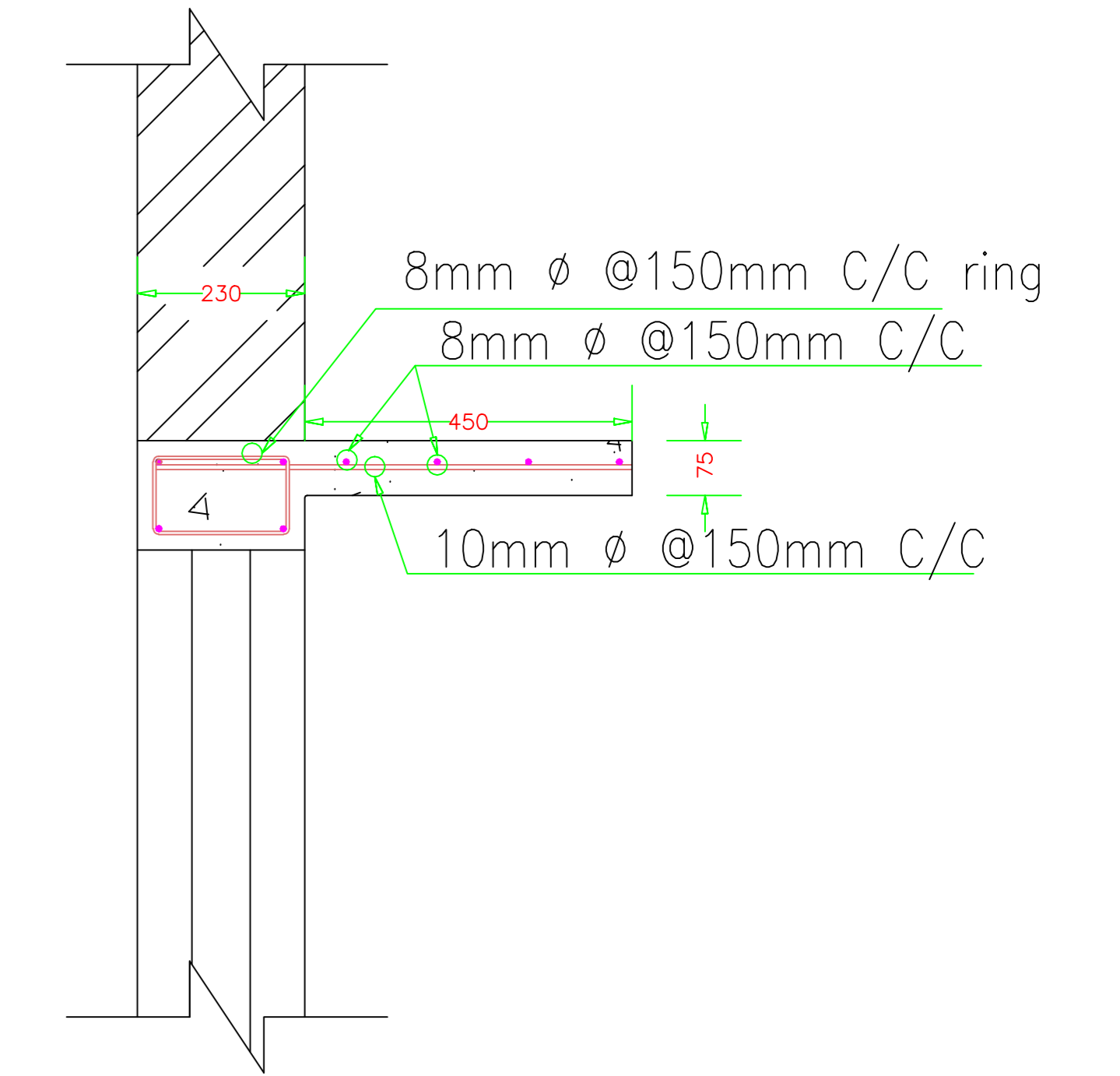


# STRUCTURAL DESIGN SAFETY DETAILS.



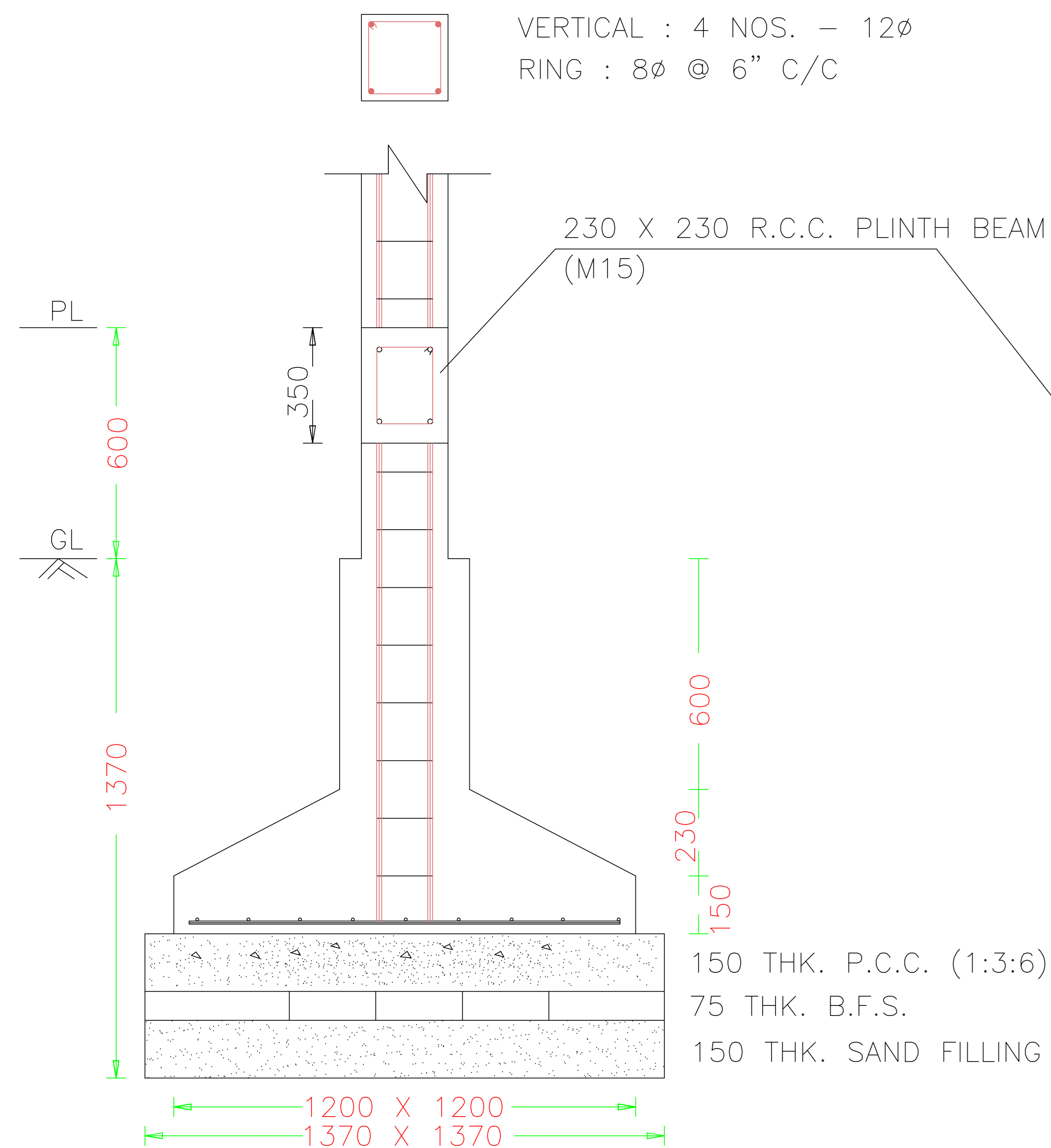
TYPICAL DET. OF R.C.C. SLAB

(Dim in mm)



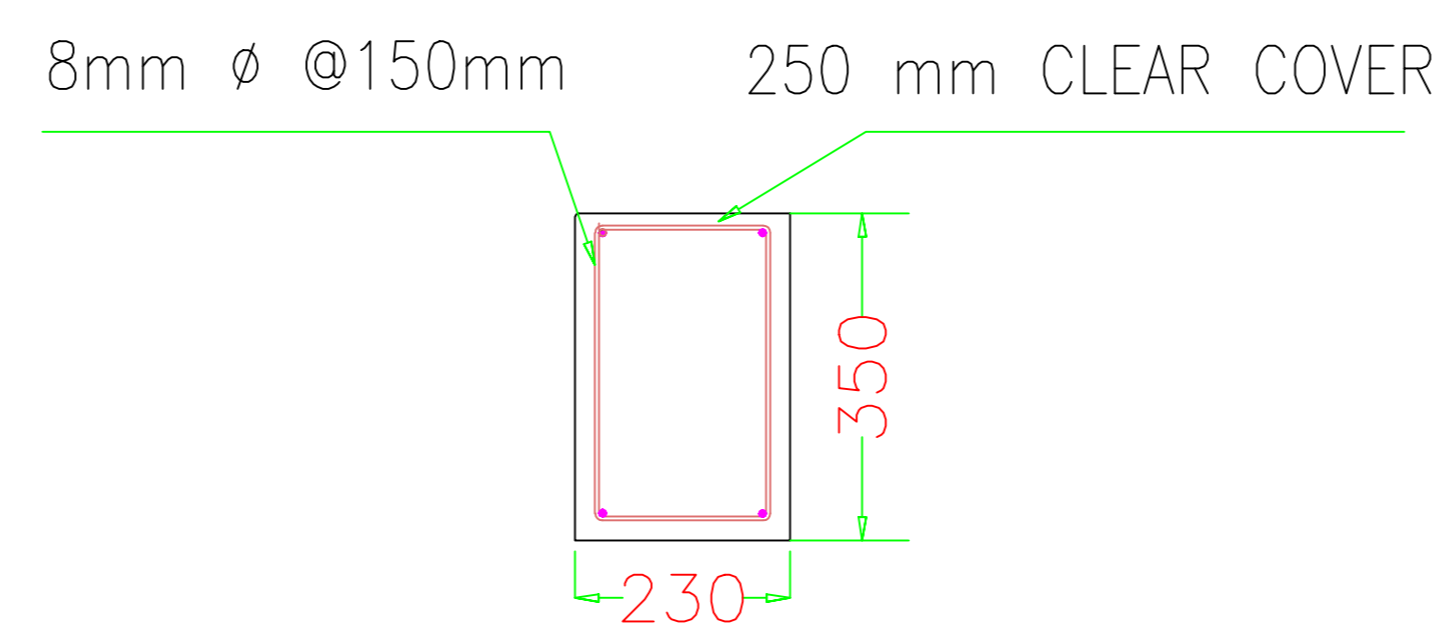
DET. OF R.C.C. CHAJJA

(Dim in mm)



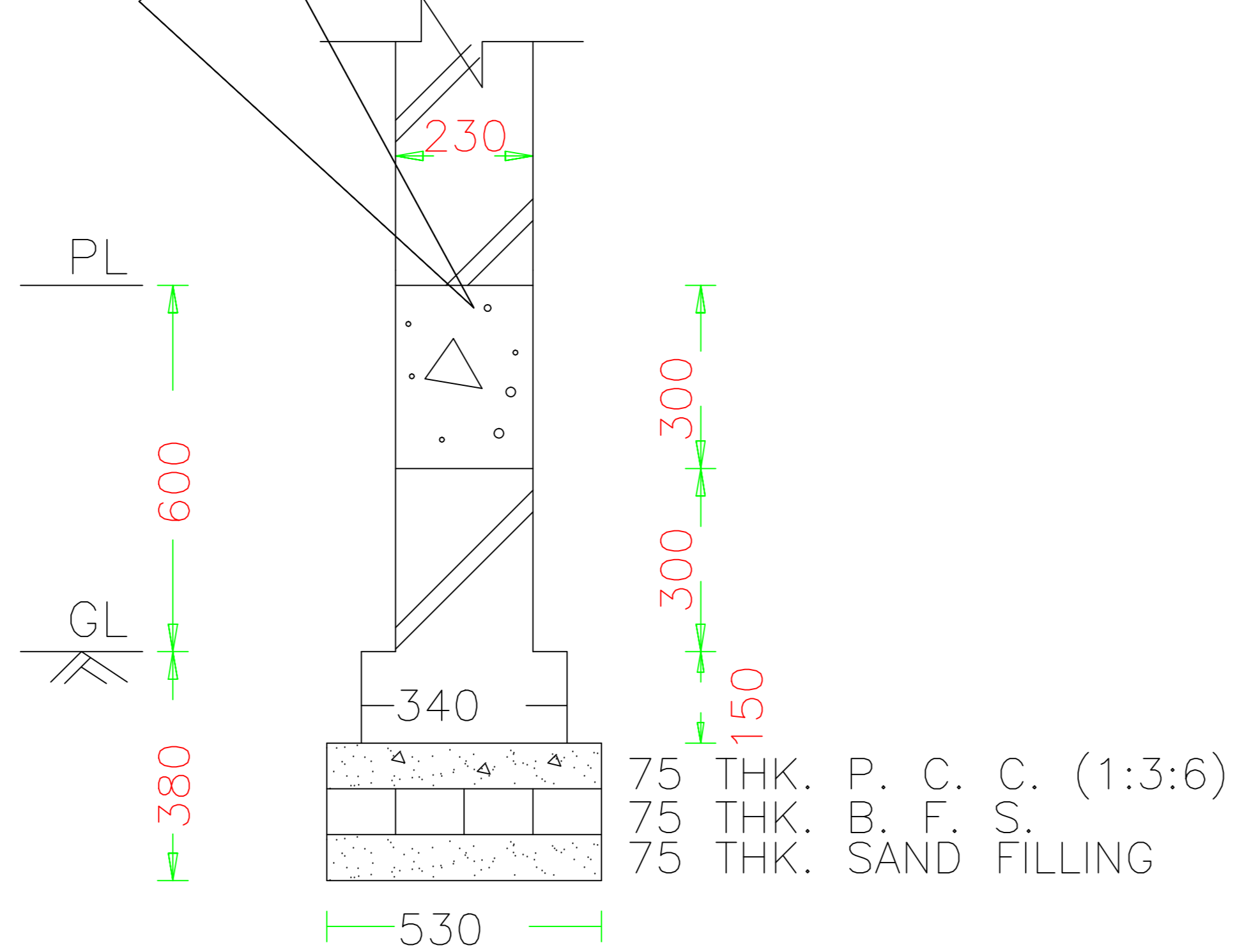
FOUNDATION DETAILS OF COLUMN

(Dim in mm)



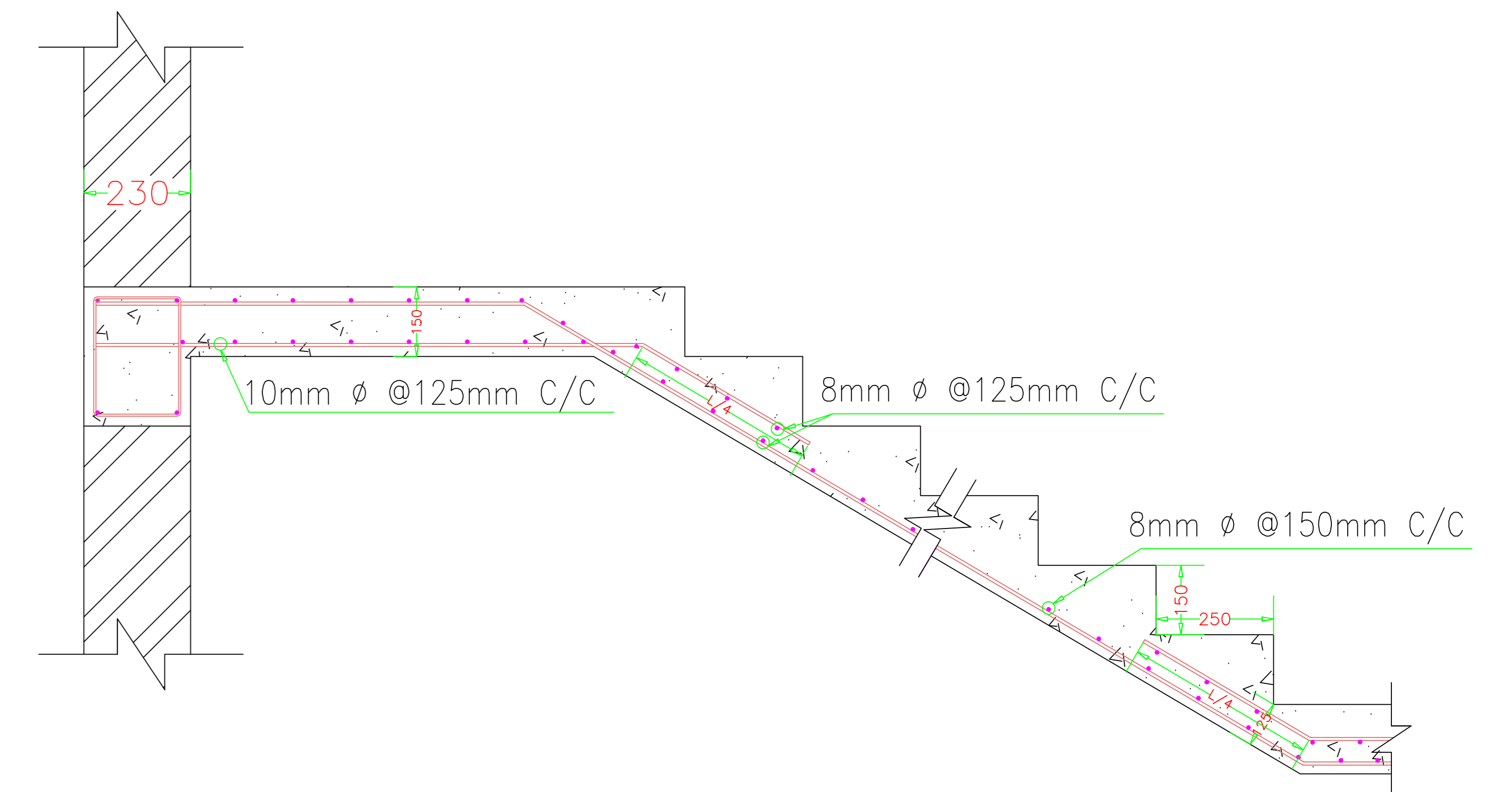
DET. OF R.C.C. BEAM

(Dim in mm)



FOUNDATION DETAILS OF WALL

(Dim in mm)



DET. OF R.C.C. SRAIR

(Dim in mm)

TITLE OF DRAWING

DRAWING OF PROPOSED RESIDENTIAL BUILDING OF Smt. GEETA KUMARI. W/O - Sri. NIRAJ KUMAR RAM, UNDER MOUZA:- KURMIDIH, MOUZA NO-87, KHATA NO - 71 (N) 141 (O), PLOT NO - 2312 & 2314 (N) 1964 (O), P.S - DHANBAD, DIST- DHANBAD, IN THE STATE OF JHARKHAND.