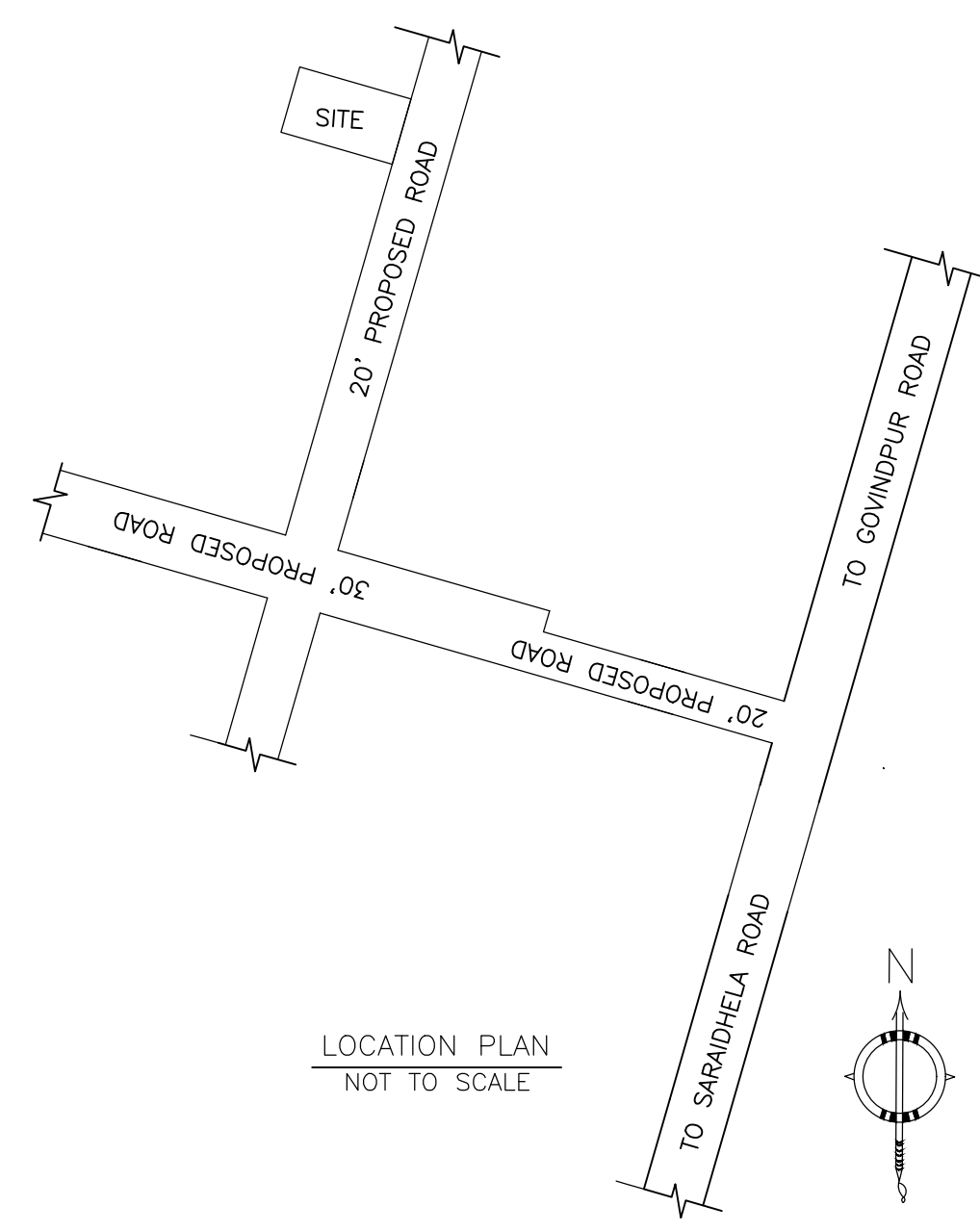
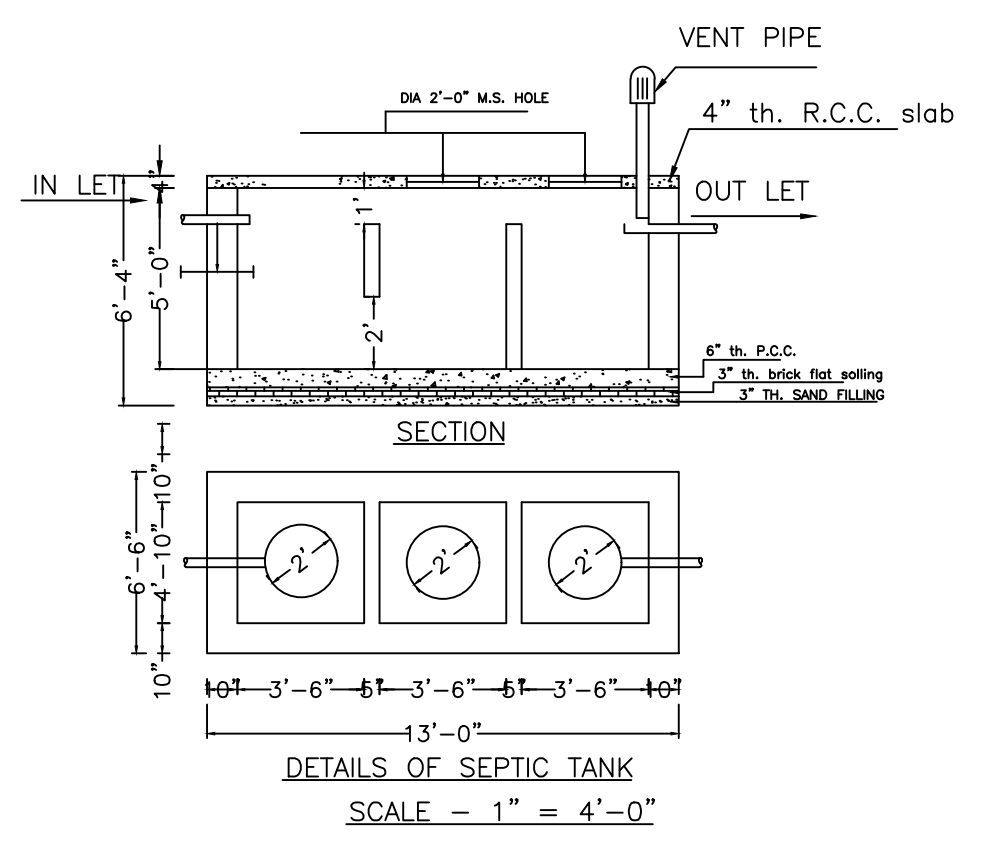
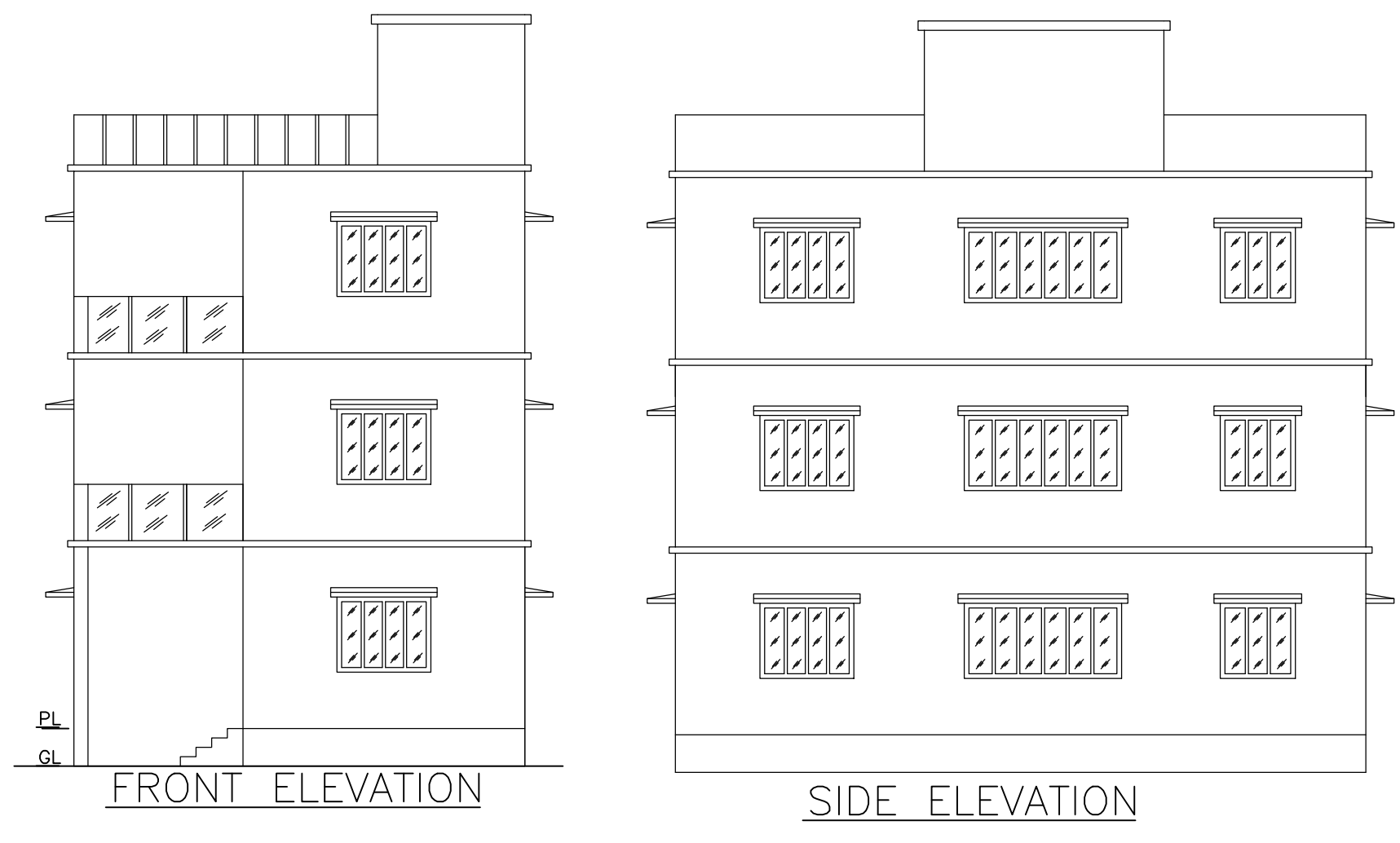
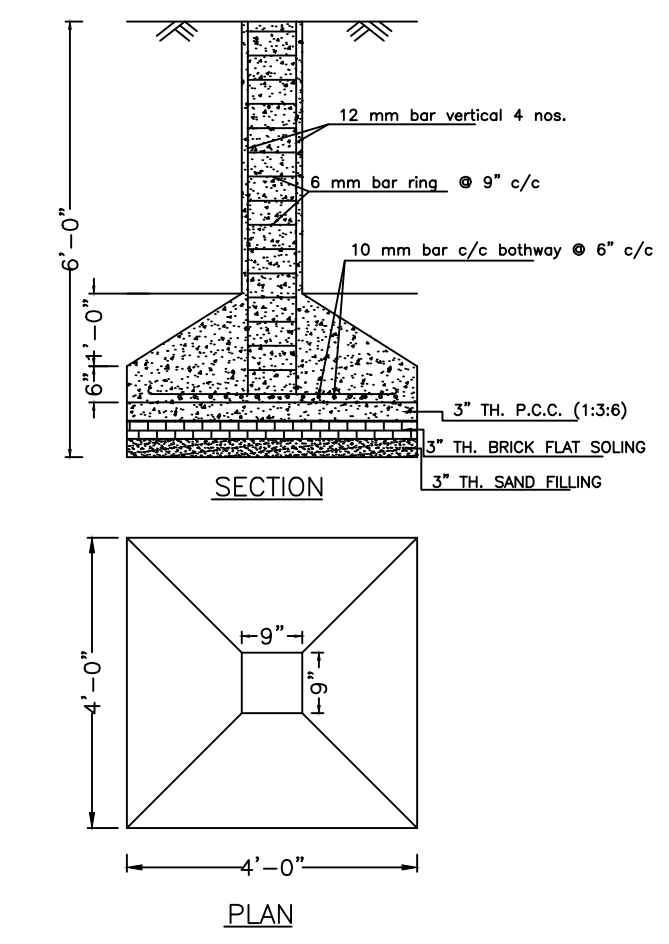
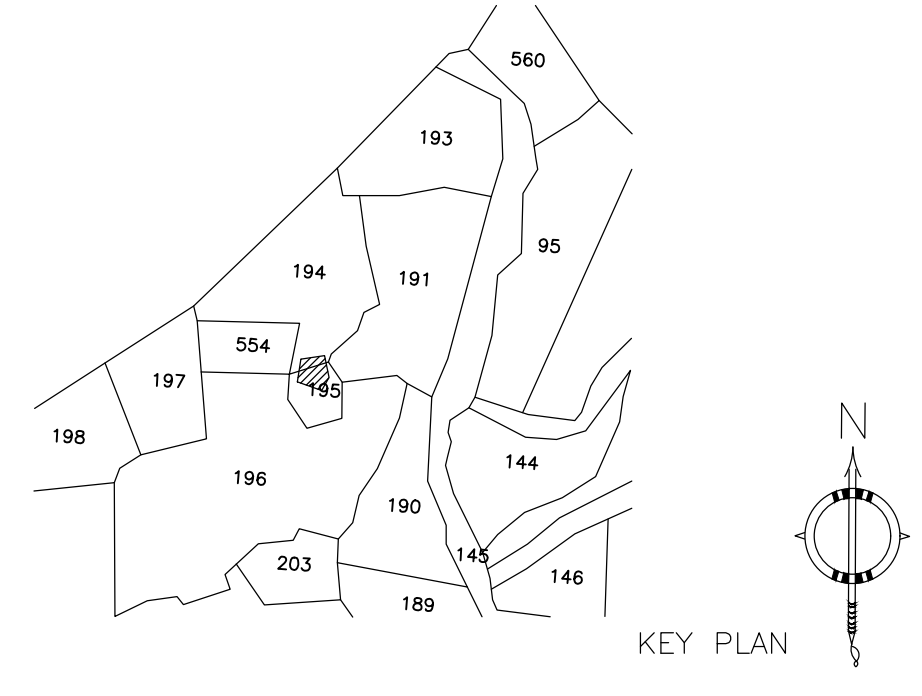
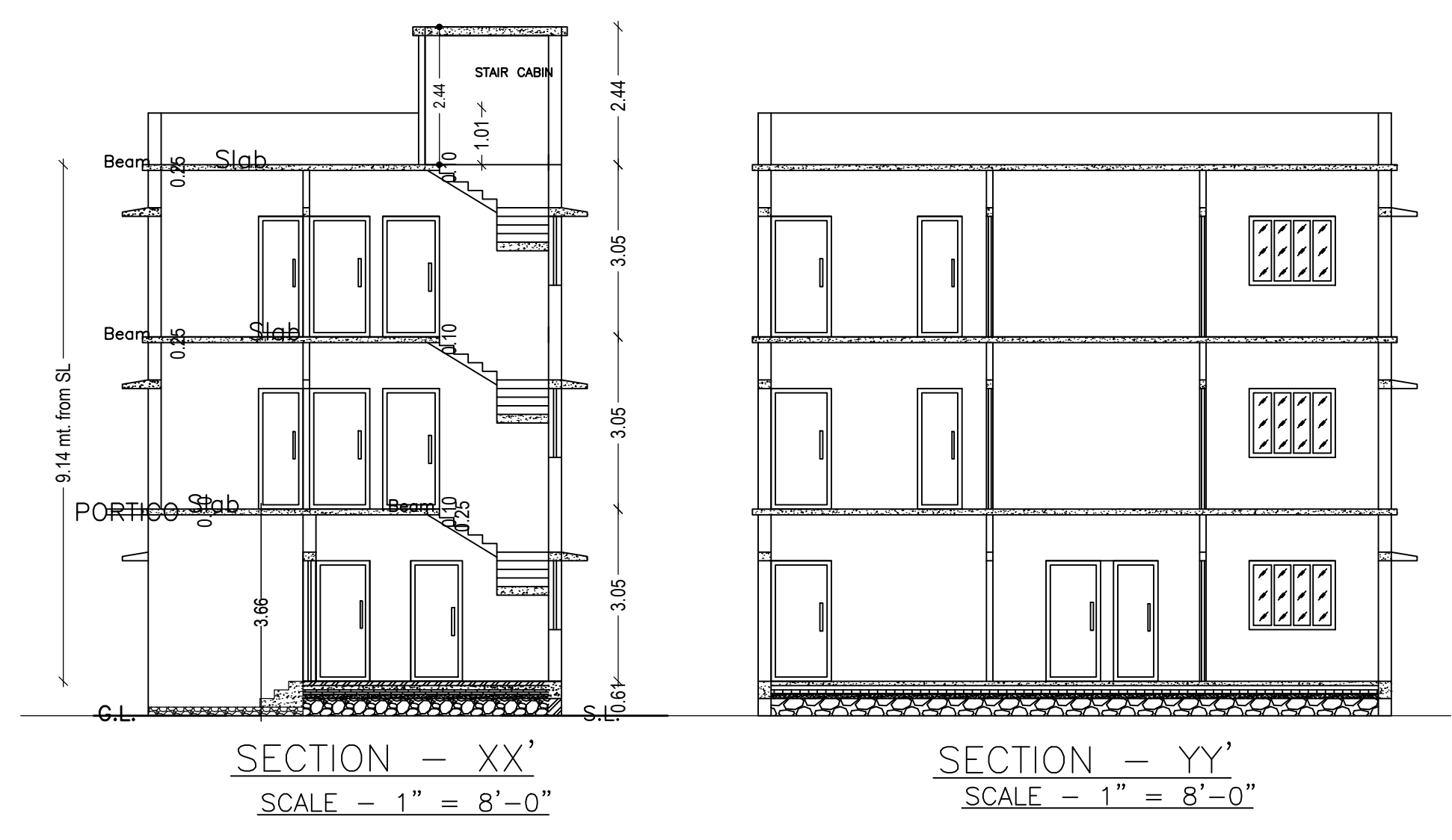
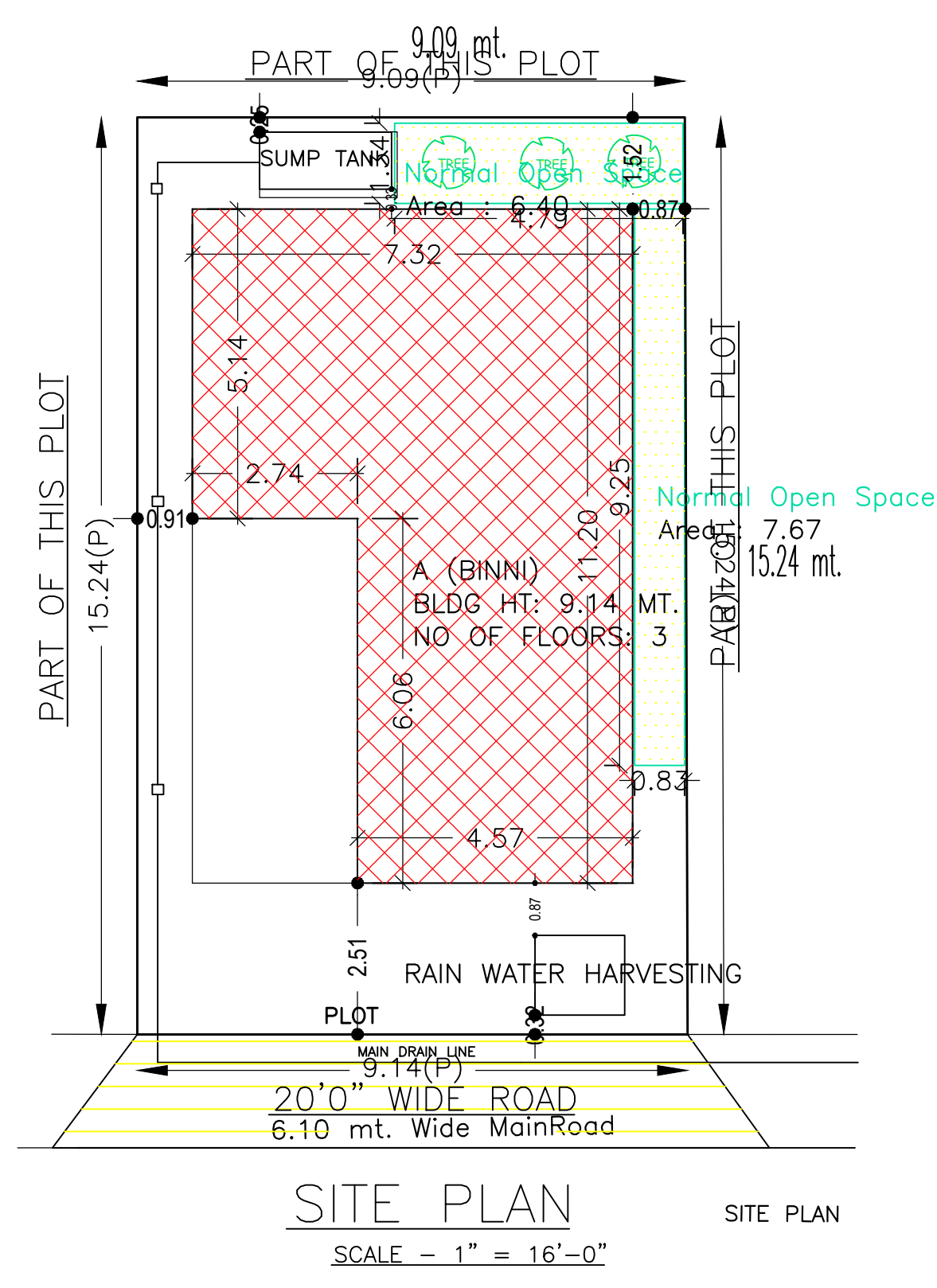


Proposal Basic Information

Proposal File No.	MADA/BP/0285/2022
Owner Name	SMT. BINNI KUMARI
Khata No	OLD KHATA NO- 16, NEW KHATA NO-14
Plot No	OLD PLOT NO- 71 & 71, NEW PLOT NO-194 & 195
Village Name	Tilakraydih
Use	Residential
SubUse	Bungalow/ Dwelling / Non Apartment



AREA STATEMENT MINERAL AUTHORITY	VERSION NO.: 1.0.64	
AREA DEVELOPMENT AUTHORITY	VERSION DATE: 16/10/2020	
PROJECT DETAIL:		
Region: JHARKHAND URBAN LOCAL BODIES	Plot Use: Residential	
District: DHANBAD	Plot SubUse: Bungalow/ Dwelling / Non Apartment	
Authority: MINERAL AREA DEVELOPMENT AUTHORITY	PlotNearby/Religious/Structure: NA	
Inward No: MADA/BP/0285/2022	Plot/SubPlot No: OLD PLOT NO- 71 & 71, NEW PLOT NO-194 & 195	
Application Type: General Proposal	North: Plot No. - SAME PLOT	
Project Type: Building Permission	South: Plot No. - SAME PLOT	
Nature of Development: New	East: Road Width - 6.10	
Location of Development Area: Old Area	West: Plot No. - SAME PLOT	
AREA DETAILS:		
AREA OF PLOT (Minimum)	(A)	SQ.MT. 138.97
NET AREA OF PLOT(Gross Plot Area - Deduction from Gross Plot area)	(A-Deductions)	138.97
Deduction for Balance Plot Area(from Gross Plot Area)		
Common Plot		14.07
Total		14.07
BALANCE AREA OF PLOT(Net Plot Area - Recreational/Amenity space)	(A-Deductions)	124.91
PLOT AREA FOR COVERAGE(Net Plot Area)	(A-Deductions)	138.97
Plot Area for FAR (Net Plot Area + Road/Widening Area)	(A-Deductions)	138.97
COVERAGE CHECK		
Permissible Coverage area (70.00 %)		97.28
Proposed Coverage Area (47.00 %)		65.32
Total Prop. Coverage Area (47 %)		65.32
Balance coverage area (23.00 %)		31.96
FAR CHECK		
Perm. FAR Area (2.500)		347.42
Total Perm. FAR area		347.42
Residential FAR		229.20
Proposed FAR Area		229.20
Total Proposed FAR Area		229.20
Consumed FAR (Factor)		1.65
Balance FAR Area		118.22
BUILT UP AREA CHECK		
Total Proposed BuiltUp Area		245.82
ARCHITECT (Regd)	RAM PRATAP SINGH	
ENGINEER (Regd)		
SUPERVISOR (Regd)		
OWNER (Regd)	SMT. BINNI KUMARI	
DEVELOPMENT AUTHORITY		LOCAL BODY

COLOR INDEX	
PLOT BOUNDARY	Black
ABUTTING ROAD	Green
PROPOSED CONSTRUCTION	Red
COMMON PLOT	Yellow
ROAD WIDENING AREA	Blue
EXISTING (To be retained)	Orange
EXISTING (To be demolished)	Light Blue

Buildingwise Floor FAR Details				
Floor Name	Building Name		Total	
	Proposed Built Up Area (Sq.mt.)	Proposed FAR Area (Sq.mt.)	Total Proposed Built Up Area (Sq.mt.)	Total FAR Area (Sq.mt.)
Ground Floor	81.94	65.32	81.94	65.32
First Floor	81.94	81.94	81.94	81.94
Second Floor	81.94	81.94	81.94	81.94
Terrace Floor	0.00	0.00	0.00	0.00
Total :	245.82	229.20	245.82	229.20

Building USE/SUBUSE Details			
Building Name	Building Use	Building SubUse	Building Structure
A (BINNI)	Residential	Bungalow/ Dwelling / Non Apartment	Non-Highrise

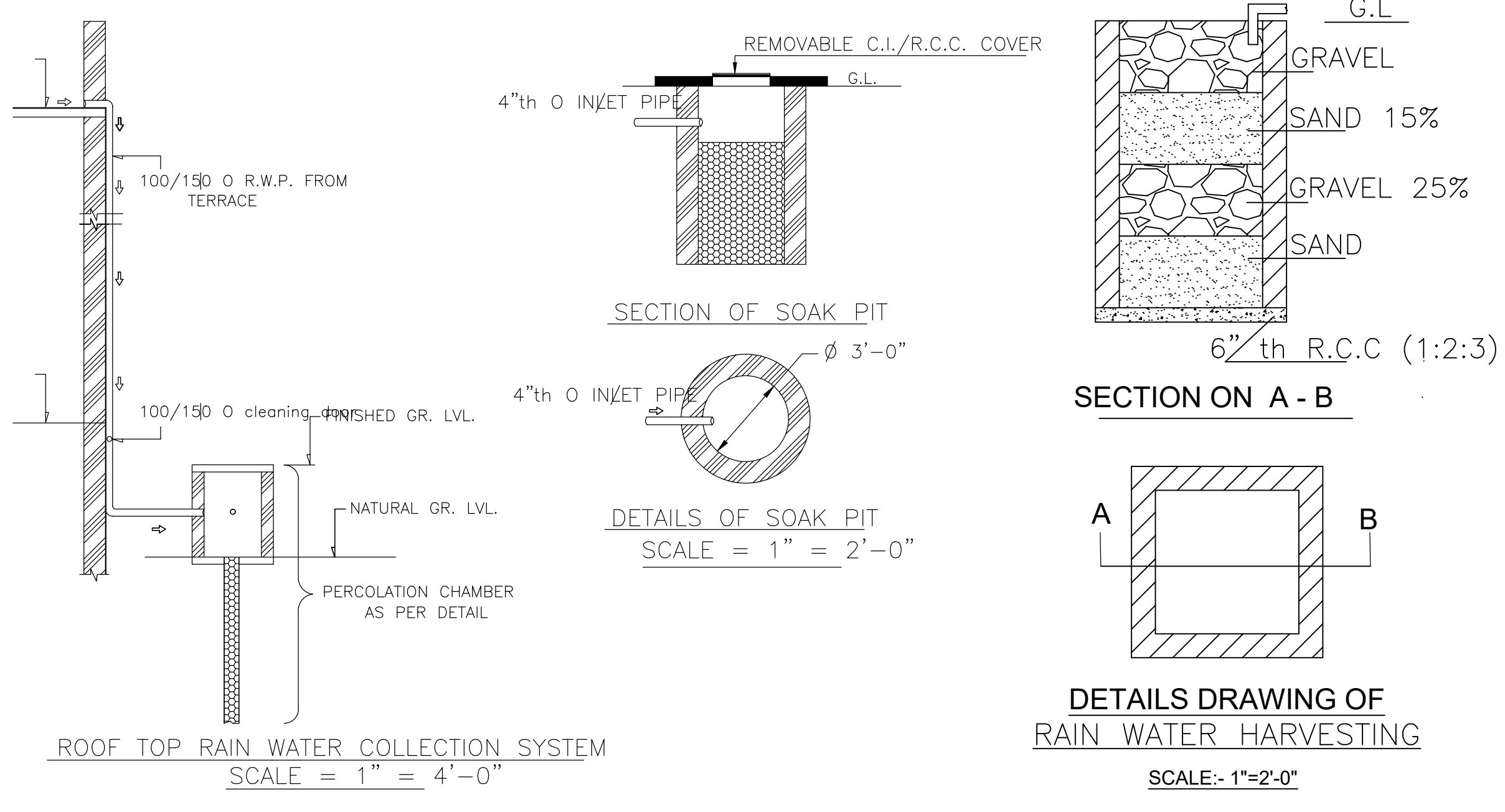
FAR & Tenement Details (Table 4c-1)								
Building	No. of Same Bldg	Total Built Up Area (Sq.mt.)	Deductions (Area in Sq.mt.)		Proposed FAR Area (Sq.mt.)	Total FAR Area (Sq.mt.)	Total Consumed Additional FAR Area (Sq.mt.)	Trmt (No.)
			Archi.Proj.	Resi.				
A (BINNI)	1	245.82	16.62	229.20	229.20	229.20	229.20	01
Grand Total :	1	245.82	16.62	229.20	229.20	229.20	229.20	01

SCHEDULE OF WINDOW/VENTILATION:				
BUILDING NAME	NAME	LENGTH	HEIGHT	NOS
A (BINNI)	V	0.84	1.20	05
A (BINNI)	W	1.22	1.20	01
A (BINNI)	W	1.52	1.20	16
A (BINNI)	W	2.55	1.20	03

Building :A (BINNI)						
Floor Name	Total Built Up Area (Sq.mt.)	Deductions (Area in Sq.mt.)	Proposed FAR Area (Sq.mt.)	Total FAR Area (Sq.mt.)	Total Consumed Additional FAR Area (Sq.mt.)	Trmt (No.)
Ground Floor	81.94	16.62	65.32	65.32	65.32	01
First Floor	81.94	0.00	81.94	81.94	81.94	00
Second Floor	81.94	0.00	81.94	81.94	81.94	00
Terrace Floor	0.00	0.00	0.00	0.00	0.00	00
Total :	245.82	16.62	229.20	229.20	229.20	01
Total Number of Same Buildings :	1					
Total :	245.82	16.62	229.20	229.20	229.20	01

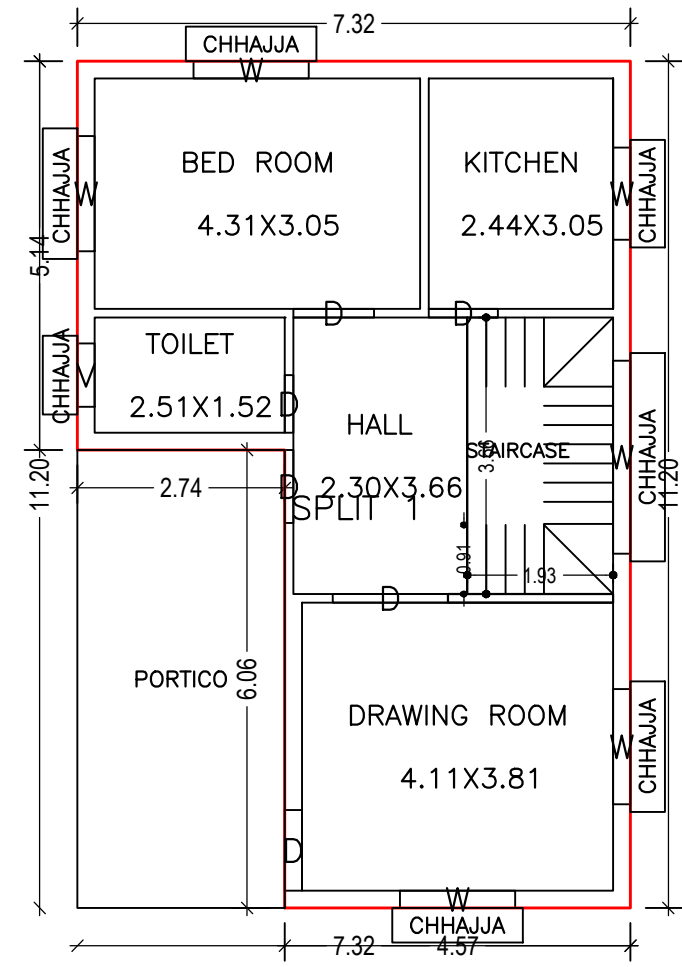
SCHEDULE OF DOOR:				
BUILDING NAME	NAME	LENGTH	HEIGHT	NOS
A (BINNI)	D	0.76	2.10	03
A (BINNI)	D	0.79	2.10	02
A (BINNI)	D	0.91	2.10	01
A (BINNI)	D	0.93	2.10	02
A (BINNI)	D	0.97	2.10	01
A (BINNI)	D	1.00	2.10	02
A (BINNI)	D	1.07	2.10	06
A (BINNI)	D	1.52	2.10	01

UnitBUA Table for Building :A (BINNI)						
FLOOR	Name	UnitBUA Type	UnitBUA Area	Carpet Area	No. of Rooms	No. of Tenement
GROUND FLOOR PLAN	SPLIT 1	FLAT	229.20	228.13	5	1
TYPICAL - FIRST, SECOND FLOOR PLAN	SPLIT 1	FLAT	0.00	0.00	7	0
Total:	-	-	229.20	228.13	19	1

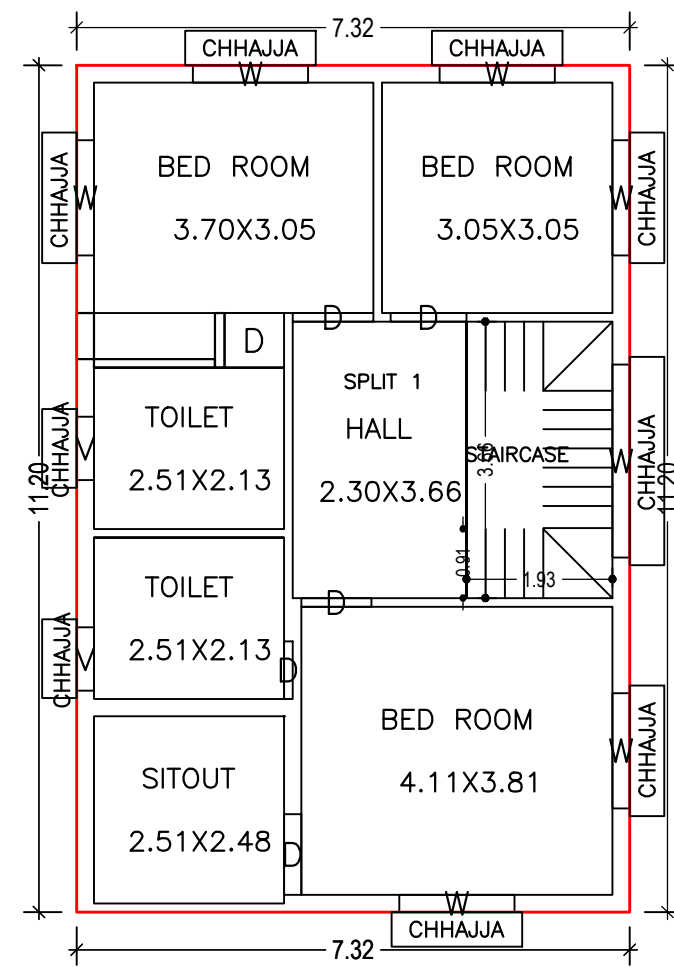


LTP NAME AND SIGNATURE	STRUCTURAL ENG'S NAME AND SIGNATURE	BUILDER NAME AND SIGNATURE	DIGITAL SIGNATURE
RAM PRATAP SINGH MADA/ARC/0024/2019			

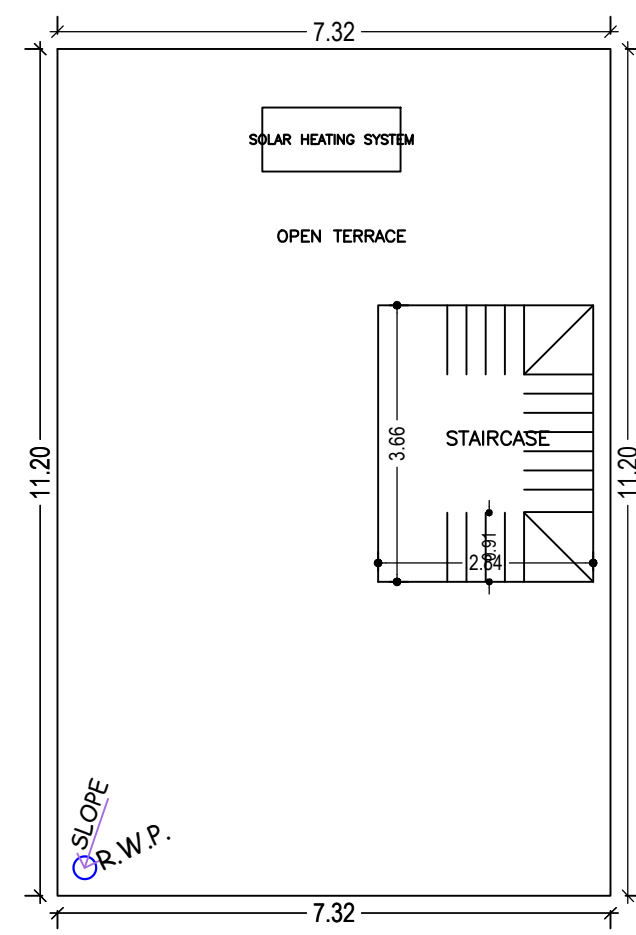
Proposal Basic Information	
Proposal File No.	MADA/BP/0285/2022
Owner Name	SMT. BINNI KUMARI
Khata No	OLD KHATA NO- 16, NEW KHATA NO-14
Plot No	OLD PLOT NO- 71 & 71, NEW PLOT NO-194 & 195
Village Name	Tiakraydih
Use	Residential
SubUse	Bungalow/ Dwelling / Non Apartment



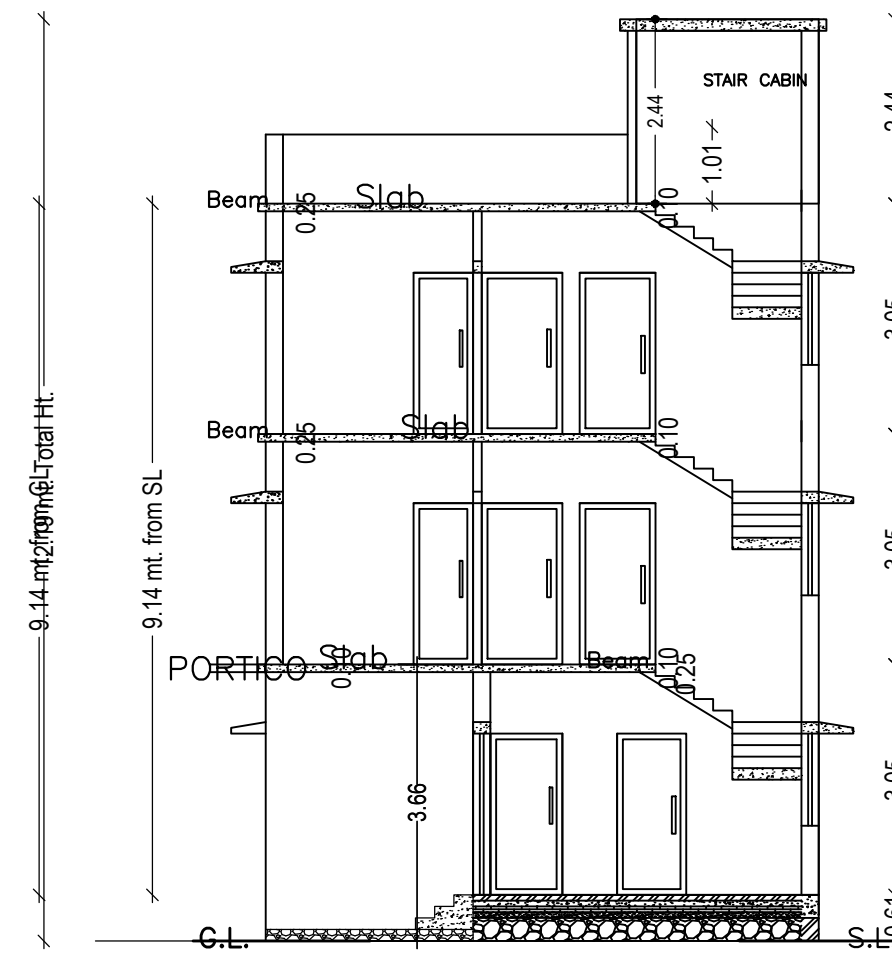
GROUND FLOOR PLAN
(Proposed)
(SCALE 1:100)



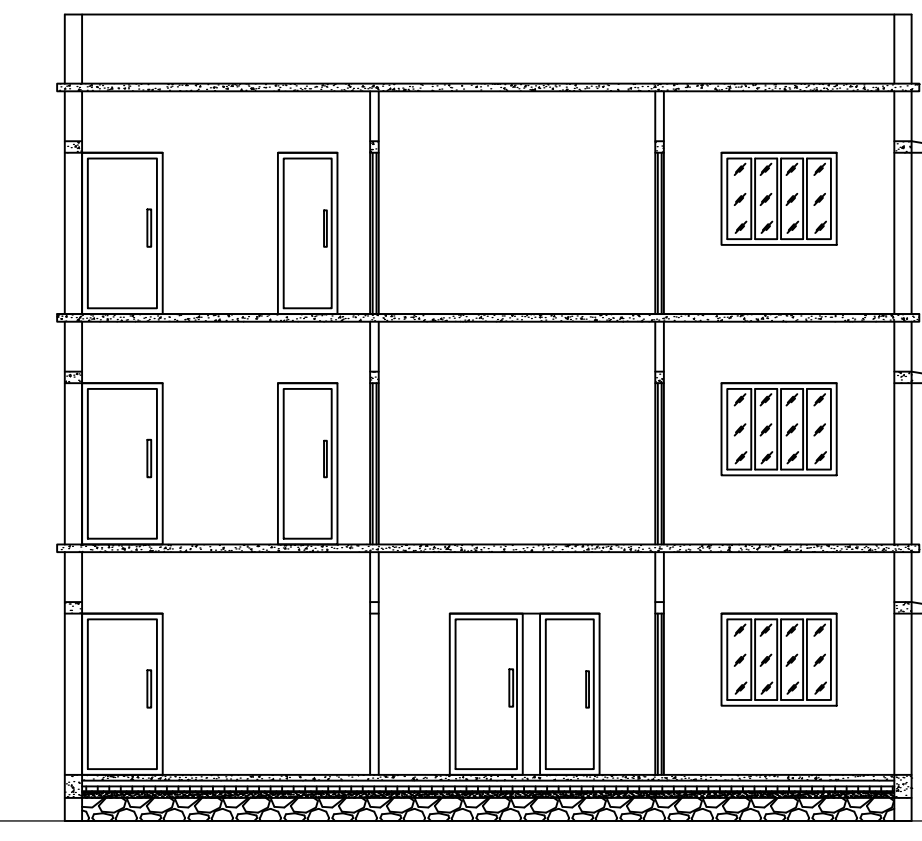
TYPICAL - FIRST, SECOND FLOOR PLAN
(Proposed)
(SCALE 1:100)



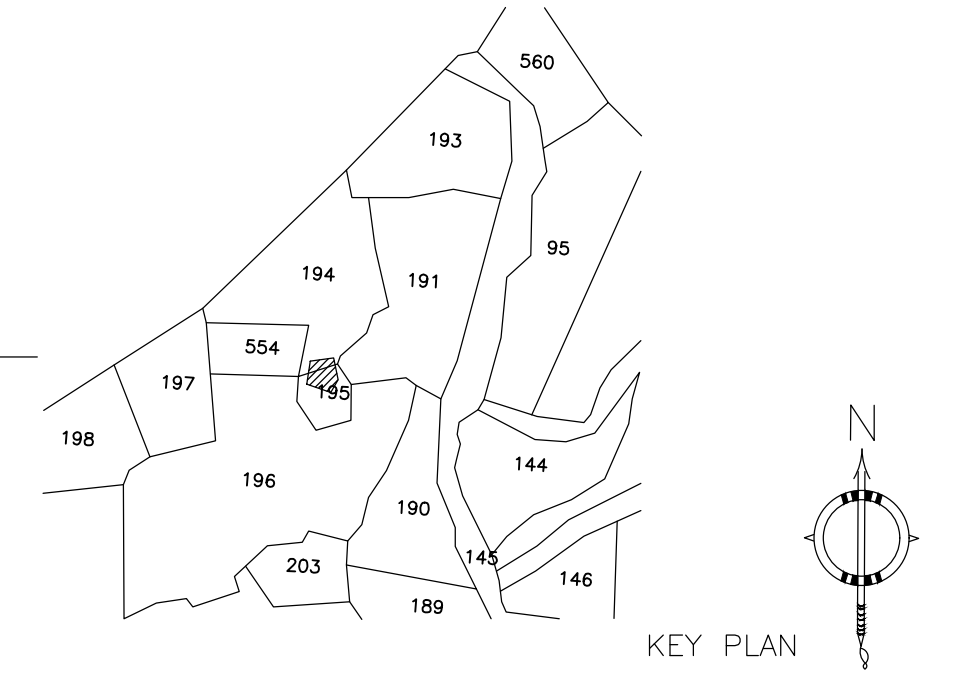
TERRACE FLOOR PLAN
(SCALE 1:100)



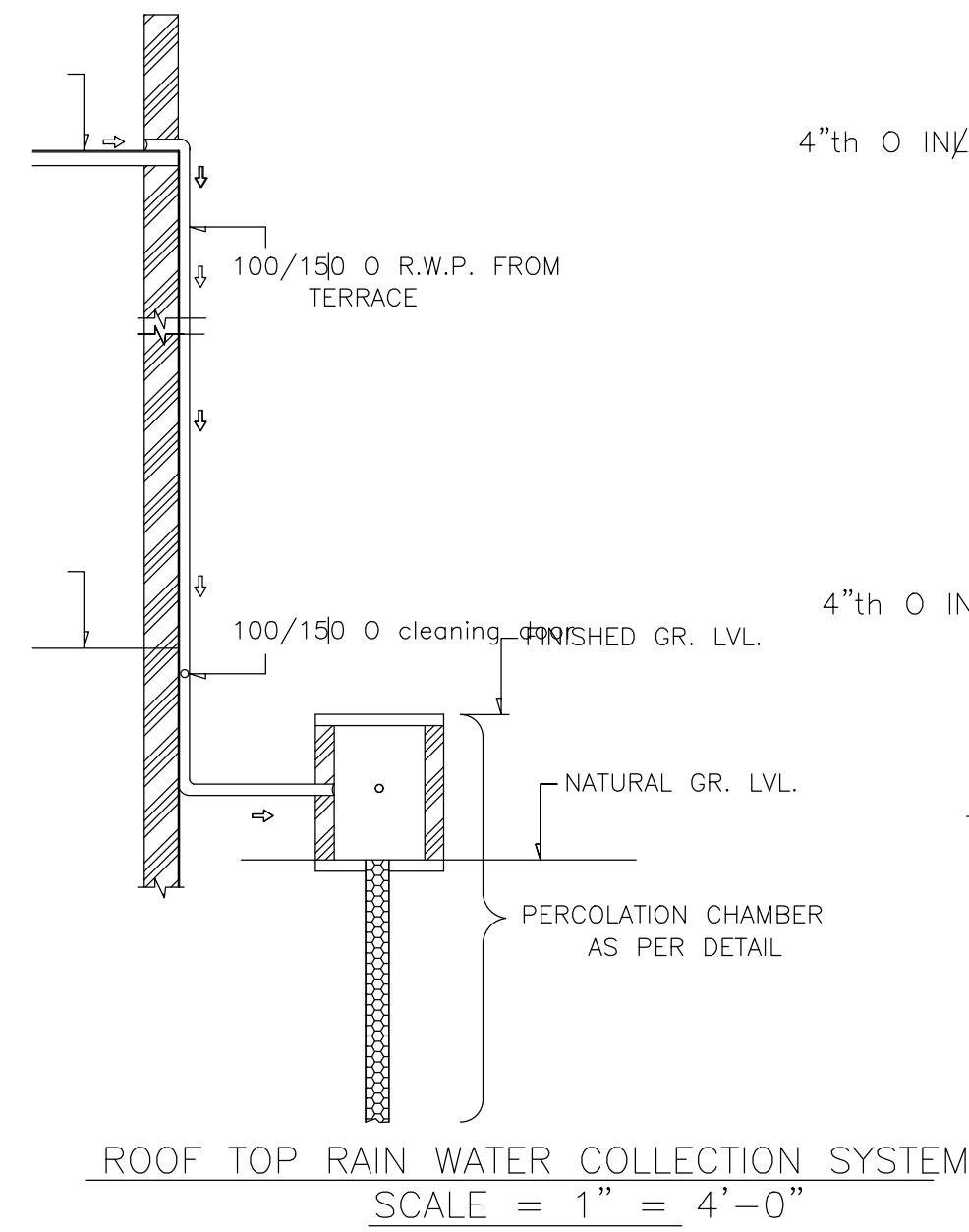
SECTION - XX'
SCALE - 1" = 8'-0"



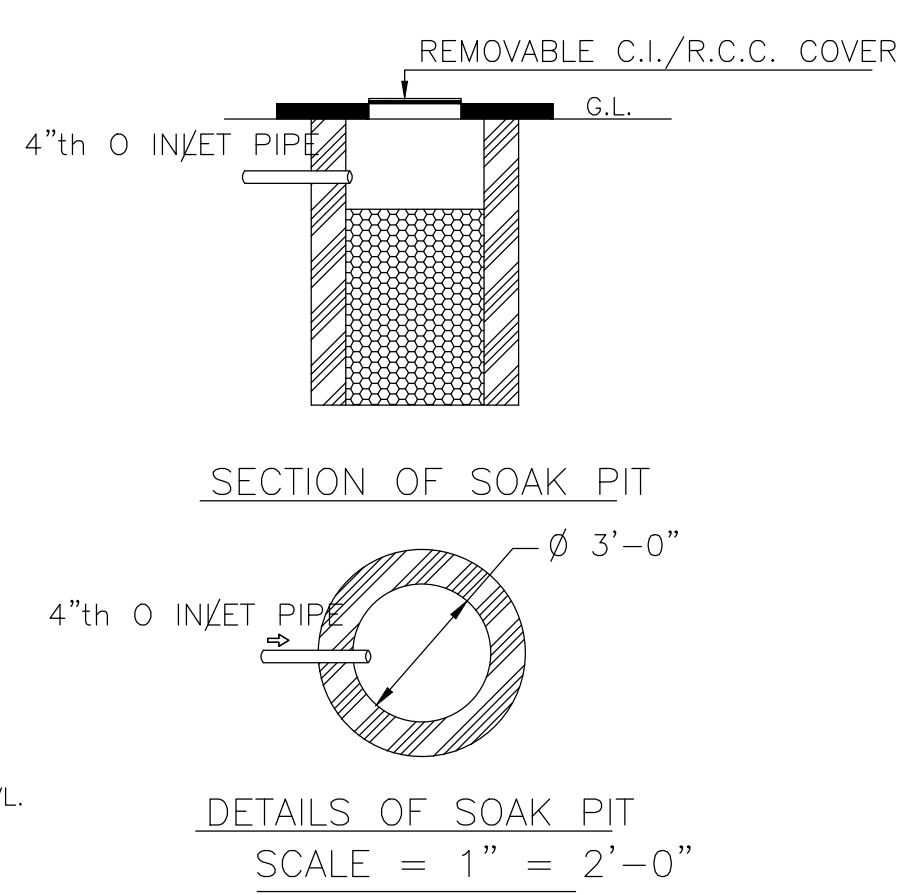
SECTION - YY'
SCALE - 1" = 8'-0"



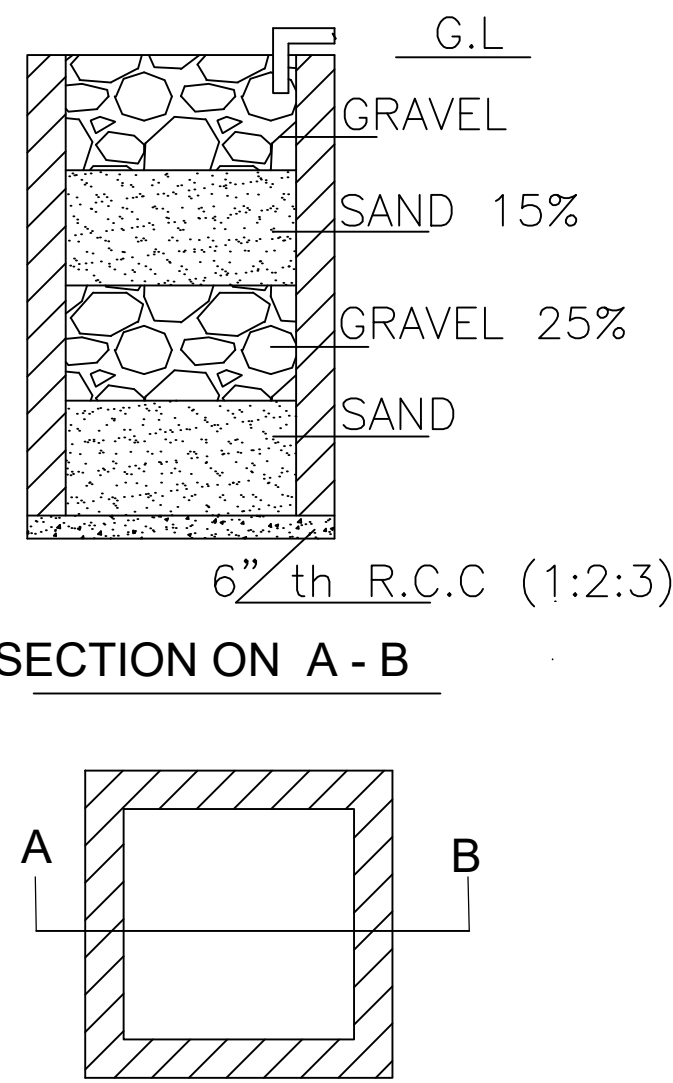
KEY PLAN



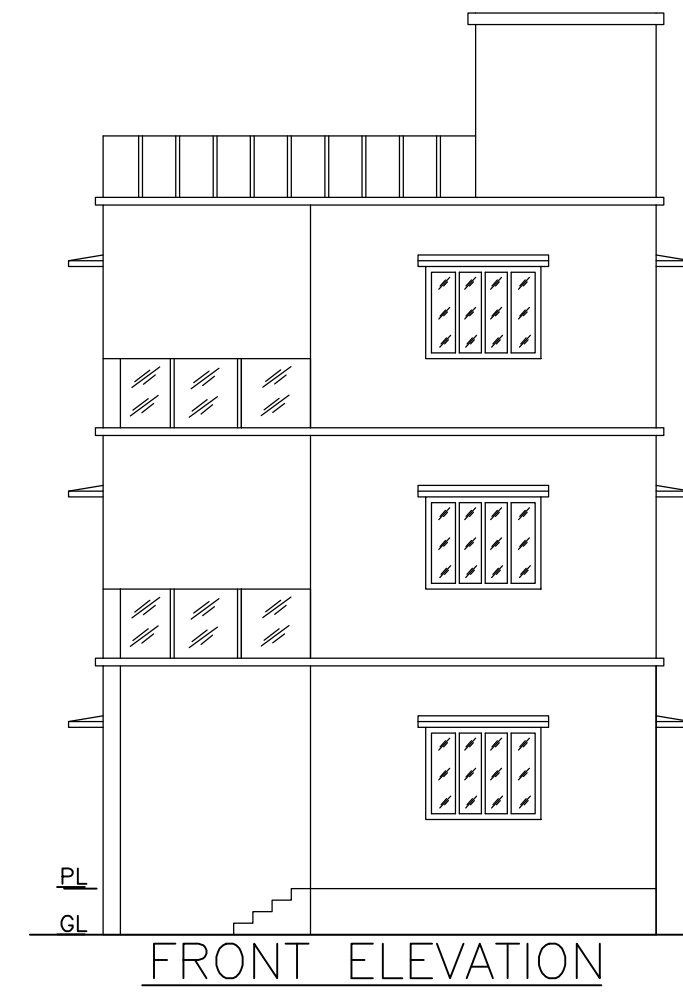
ROOF TOP RAIN WATER COLLECTION SYSTEM
SCALE = 1" = 4'-0"



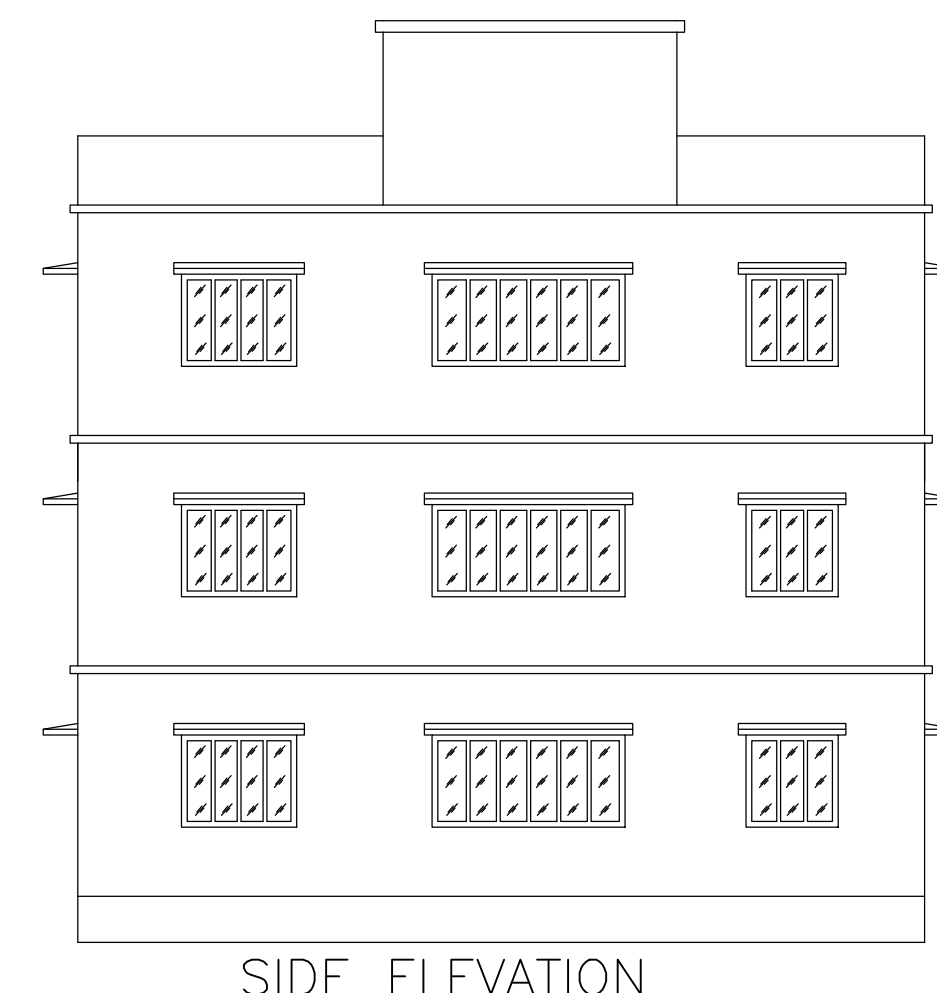
SECTION OF SOAK PIT
DETAILS OF SOAK PIT
SCALE = 1" = 2'-0"



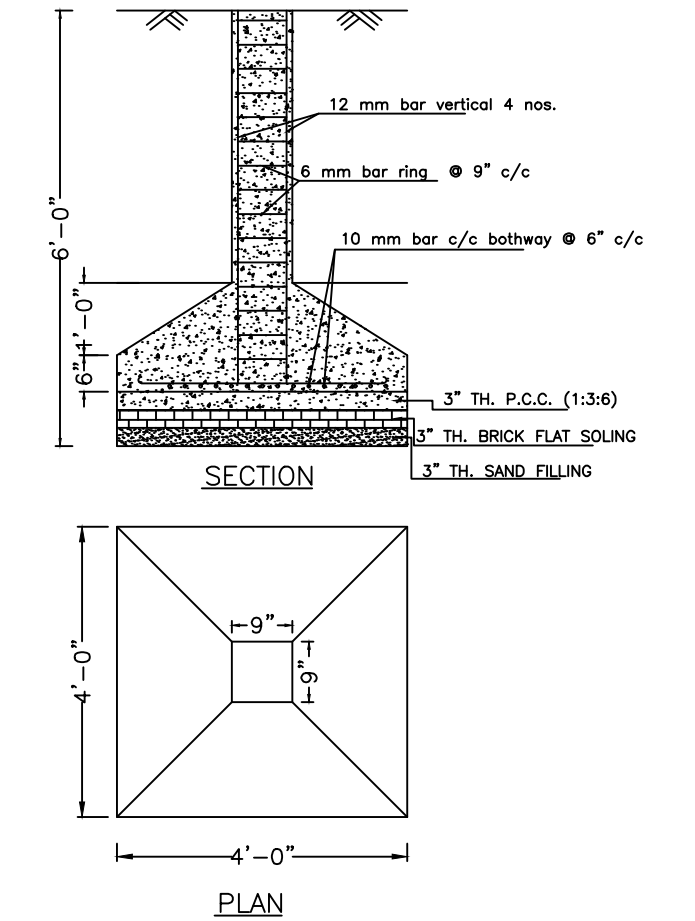
SECTION ON A - B
DETAILS DRAWING OF RAIN WATER HARVESTING
SCALE:- 1"=2'-0"



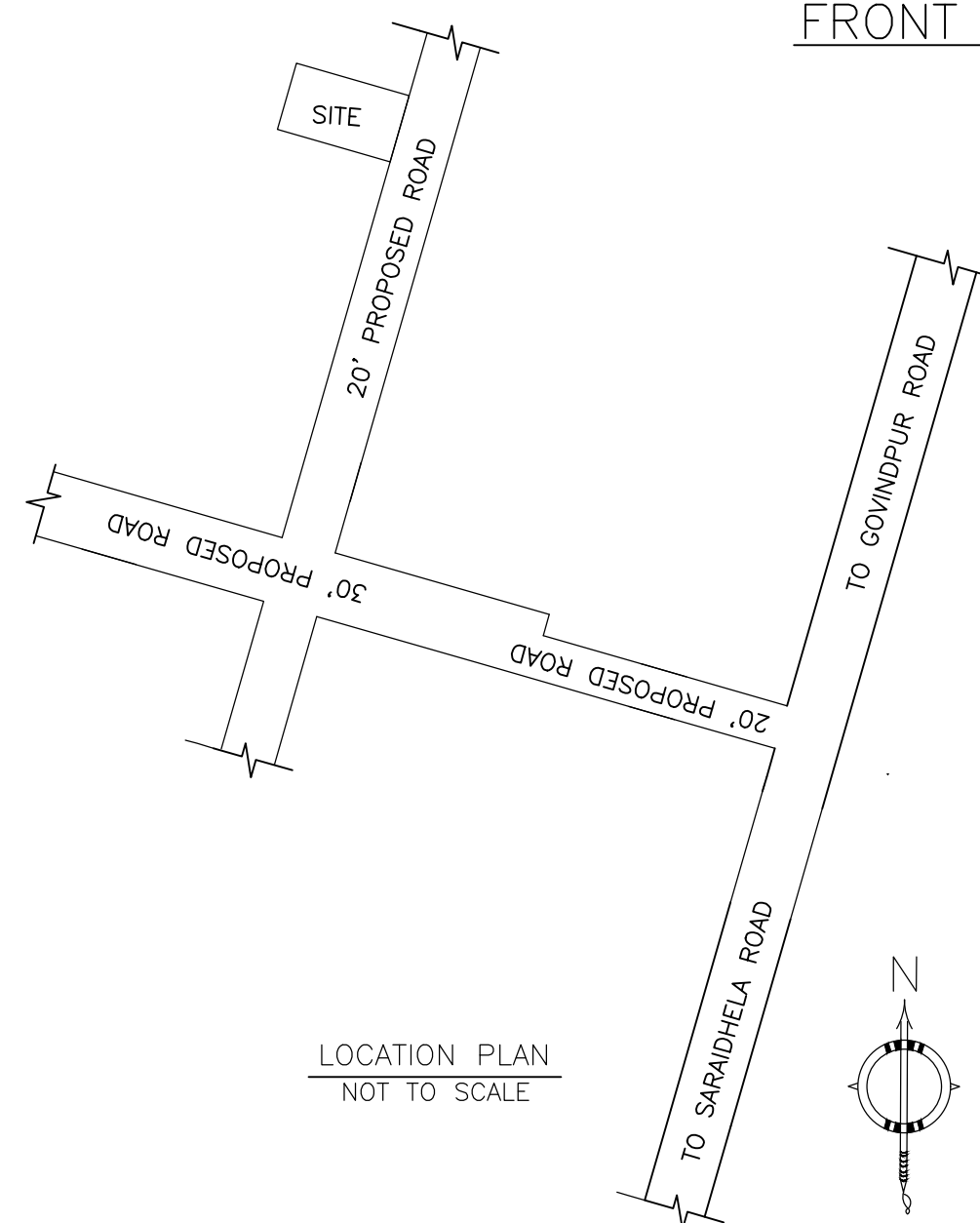
FRONT ELEVATION



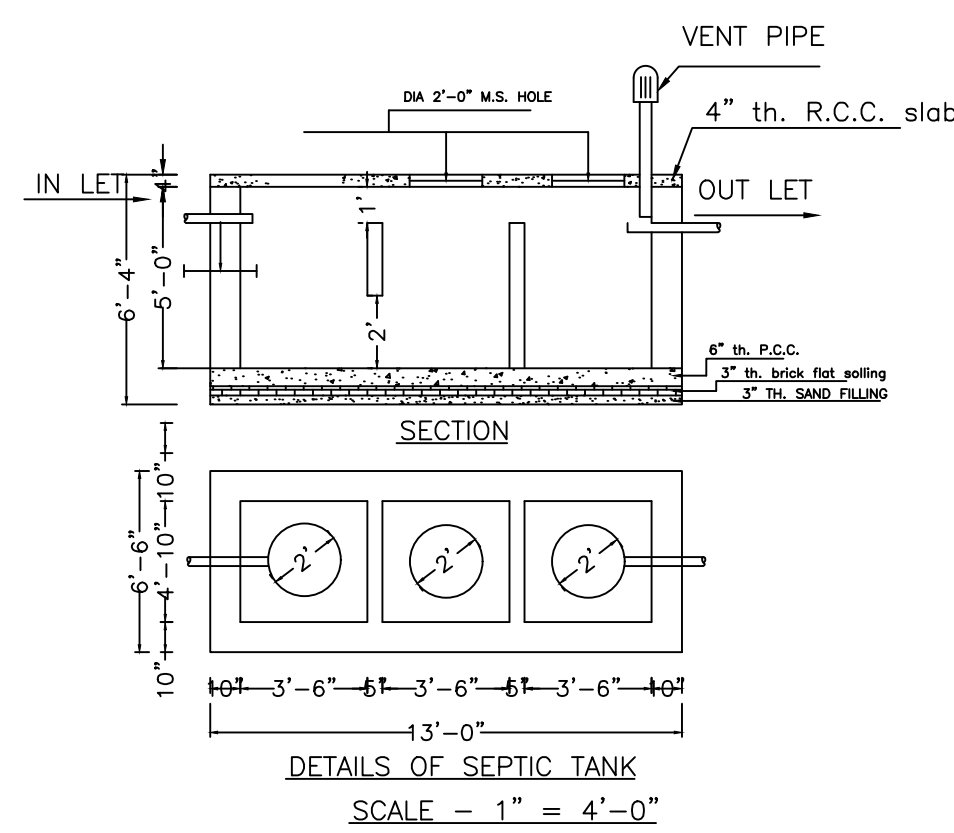
SIDE ELEVATION



DETAILS OF COLUMN FOUNDATION
SCALE - 1" = 2'-0"



LOCATION PLAN
NOT TO SCALE



DETAILS OF SEPTIC TANK
SCALE - 1" = 4'-0"

LTP NAME AND SIGNATURE	STRUCTURAL ENG'S NAME AND SIGNATURE	BUILDER NAME AND SIGNATURE	DIGITAL SIGNATURE
RAM PRATAP SINGH MADA/ARC/0024/2019			