

Proposal Basic Information	
Proposal File No.	MADA/BP/0280/2022
Owner Name	1. SMT. RITA ROY AND 2. SRI. GOUTAM KUMAR ROY
Khata No	OLD KHATA NO- 69, NEW KHATA NO-134
Plot No	OLD PLOT NO- 500, NEW PLOT NO-1455
Village Name	Jialgora
Use	Residential
SubUse	Bungalow/ Dwelling / Non Apartment

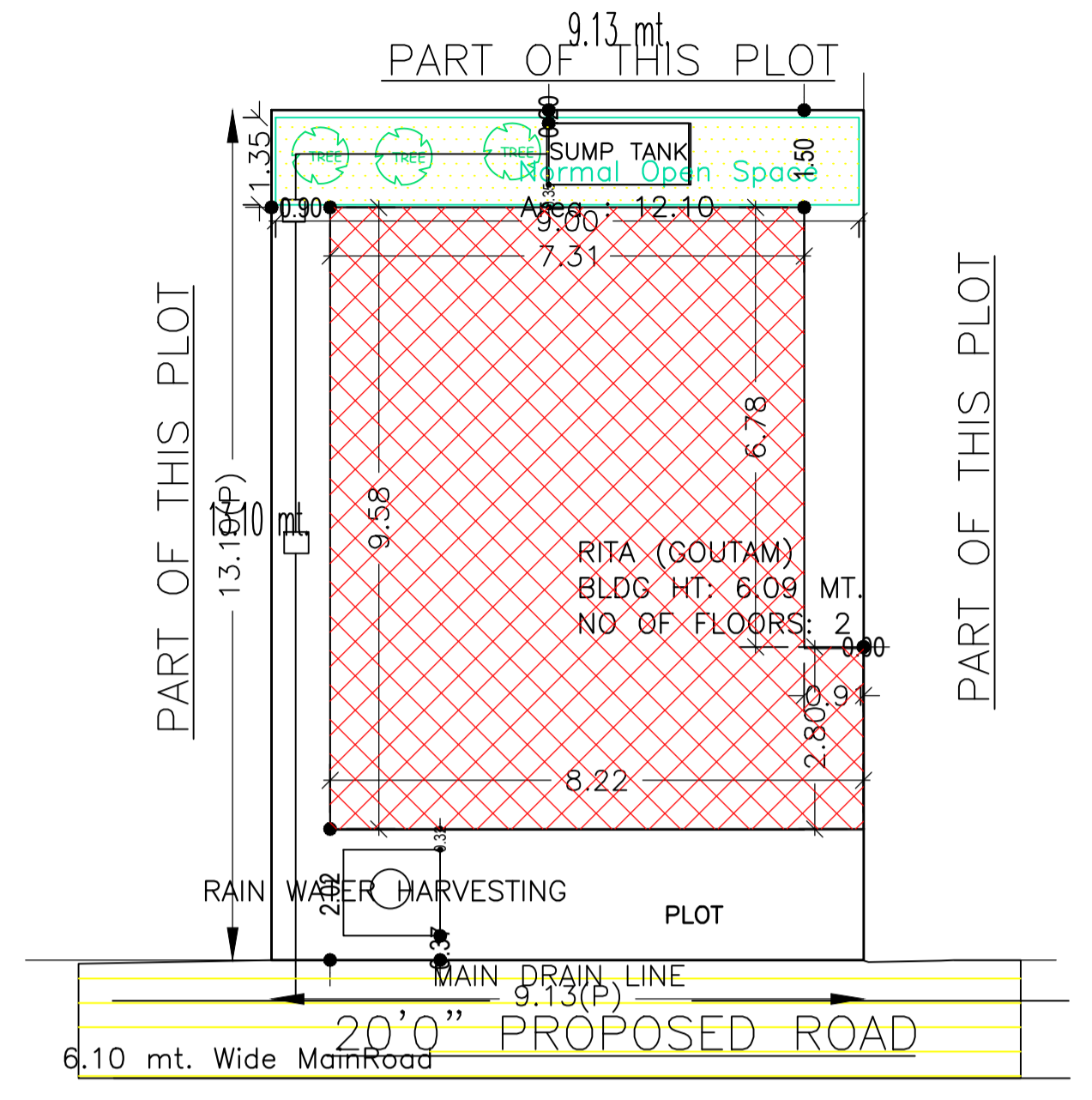
AREA STATEMENT MINERAL AREA DEVELOPMENT AUTHORITY		VERSION NO.: 1.0.65
PROJECT DETAIL:		VERSION DATE: 16/10/2020
Region: JHARKHAND URBAN LOCAL BODIES	Plot Use: Residential	
District: DHANBAD	Plot SubUse: Bungalow/ Dwelling / Non Apartment	
Authority: MINERAL AREA DEVELOPMENT AUTHORITY	PlotNearbyReligiousStructure: NA	
Inward No: MADA/BP/0280/2022	Plot/SubPlot No: OLD PLOT NO- 500, NEW PLOT NO-1455	
Application Type: General Proposal	North: Plot No. - SAME PLOT	
Project Type: Building Permission	South: Plot No. - SAME PLOT	
Nature of Development: New	East: Road Width - 6.10	
Location of Development Area: Old Area	West: Plot No. - SAME PLOT	
AREA DETAILS:		SQ.MIT.
AREA OF PLOT (Minimum)	(A)	119.61
NET AREA OF PLOT(Gross Plot Area - Deduction from Gross Plot area)	(A-Deductions)	119.61
Deduction for Balance Plot Area(from Gross Plot Area)		
Common Plot		12.10
Total		12.10
BALANCE AREA OF PLOT(Net Plot Area - Recreational/Amenity space)	(A-Deductions)	107.50
PLOT AREA FOR COVERAGE(Net Plot Area)	(A-Deductions)	119.61
Plot Area for FAR (Net Plot Area + Road/Widening Area)	(A-Deductions)	119.61
COVERAGE CHECK		
Permissible Coverage area (70.00 %)		83.73
Proposed Coverage Area (60.70 %)		72.60
Total Prop. Coverage Area (60.7 %)		72.60
Balance coverage area (9.31 %)		11.13
FAR CHECK		
Perm. FAR Area (2.500)		299.02
Total Perm. FAR area		299.02
Residential FAR		145.21
Proposed FAR Area		145.21
Total Proposed FAR Area		145.21
Consumed FAR (Factor)		1.21
Balance FAR Area		153.81
BUILT UP AREA CHECK		
Total Proposed BuiltUp Area		145.20
ARCHITECT (Regd)	RAM PRATAP SINGH	
ENGINEER (Regd)		
SUPERVISOR (Regd)		
OWNER (Regd)	1. SMT. RITA ROY AND 2. SRI. GOUTAM KUMAR ROY	
DEVELOPMENT AUTHORITY	LOCAL BODY	

COLOR INDEX	
PLOT BOUNDARY	Black
ABUTTING ROAD	Green
PROPOSED CONSTRUCTION	Red
COMMON PLOT	Yellow
ROAD WIDENING AREA	Blue
EXISTING (To be retained)	Orange
EXISTING (To be demolished)	Light Blue

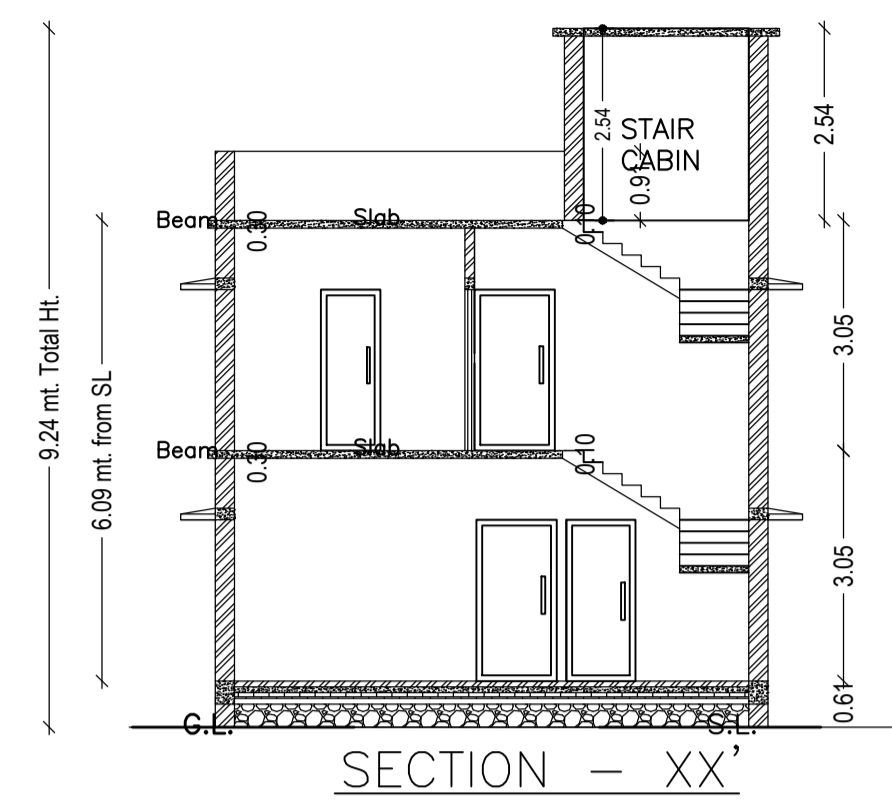
Buildingwise Floor FAR Details				
Floor Name	Building Name		Total	
	Proposed Built Up Area (Sq.mt.)	Proposed FAR Area (Sq.mt.)	Total Proposed Built Up Area (Sq.mt.)	Total FAR Area (Sq.mt.)
Ground Floor	72.60	72.60	72.60	72.60
First Floor	72.60	72.60	72.60	72.60
Terrace Floor	0.00	0.00	0.00	0.00
Total :	145.20	145.20	145.20	145.20

Building USE/SUBUSE Details				
Building Name	Building Use	Building SubUse	Building Structure	
RITA (GOUTAM)	Residential	Bungalow/ Dwelling / Non Apartment	Non-Highrise	

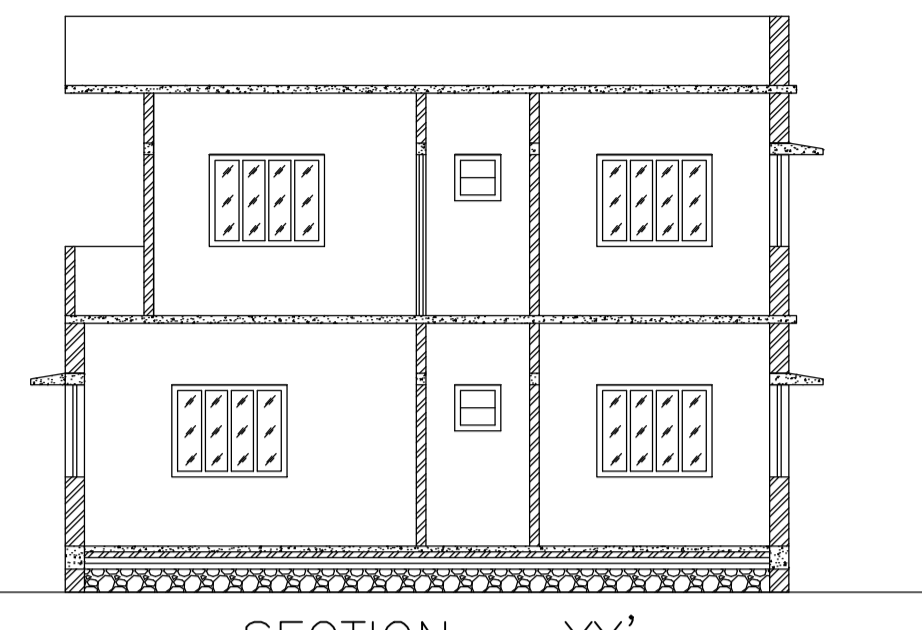
FAR & Tenement Details (Table 4c-1)						
Building	No. of Same Bldg	Total Built Up Area (Sq.mt.)	Proposed FAR Area (Sq.mt.)	Total FAR Area (Sq.mt.)	Total Consumed Additional FAR Area (Sq.mt.)	Tnmt (No.)
RITA (GOUTAM)	1	145.20	145.20	145.20	145.20	01
Grand Total :	1	145.20	145.20	145.20	145.20	01



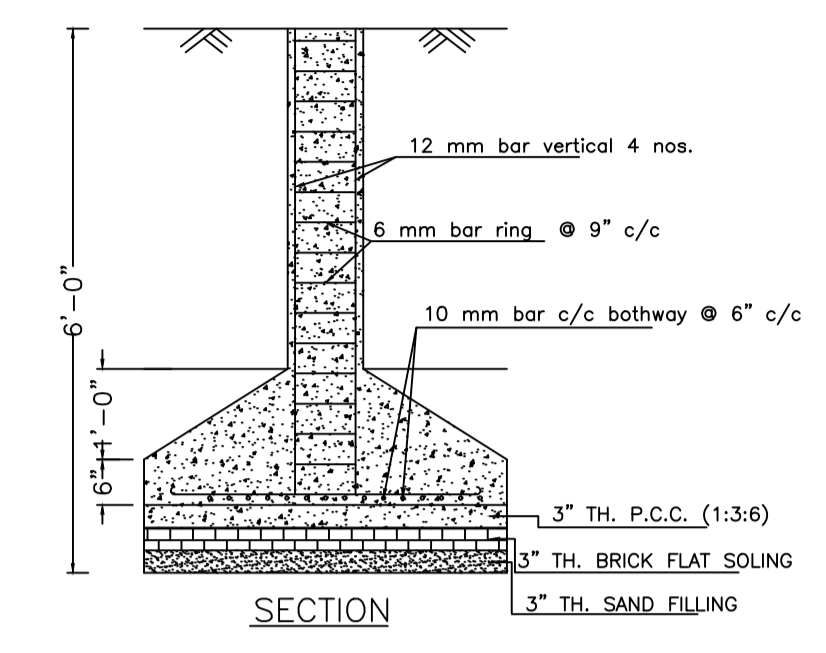
SITE PLAN



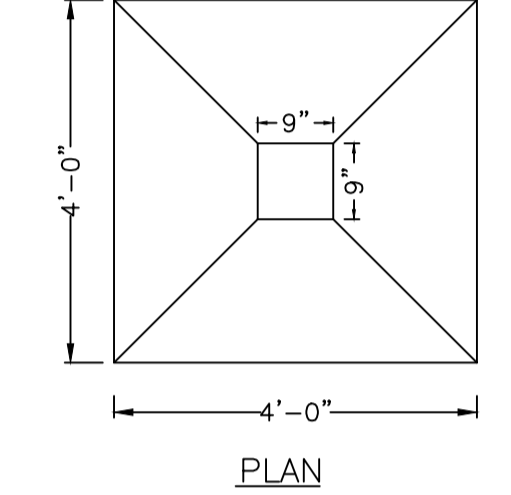
SECTION - XX'



SECTION - YY'

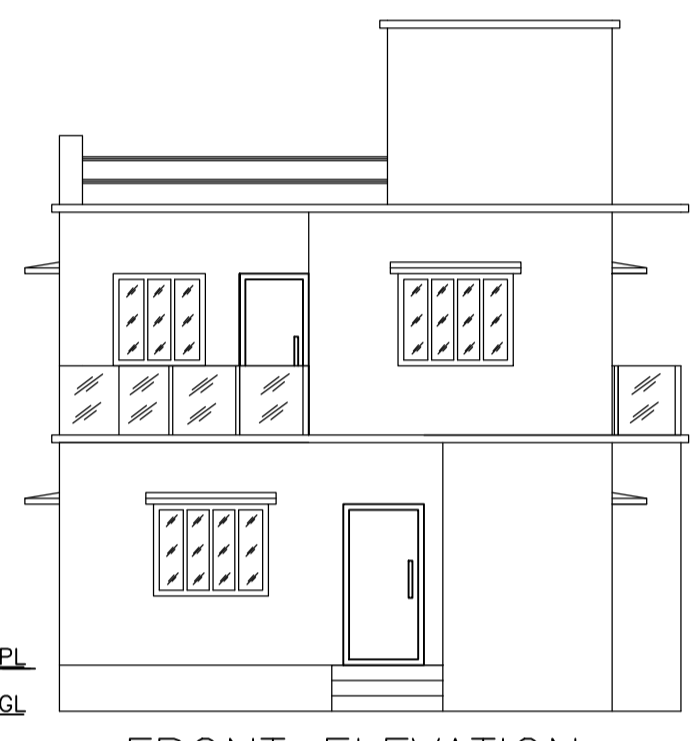


SECTION

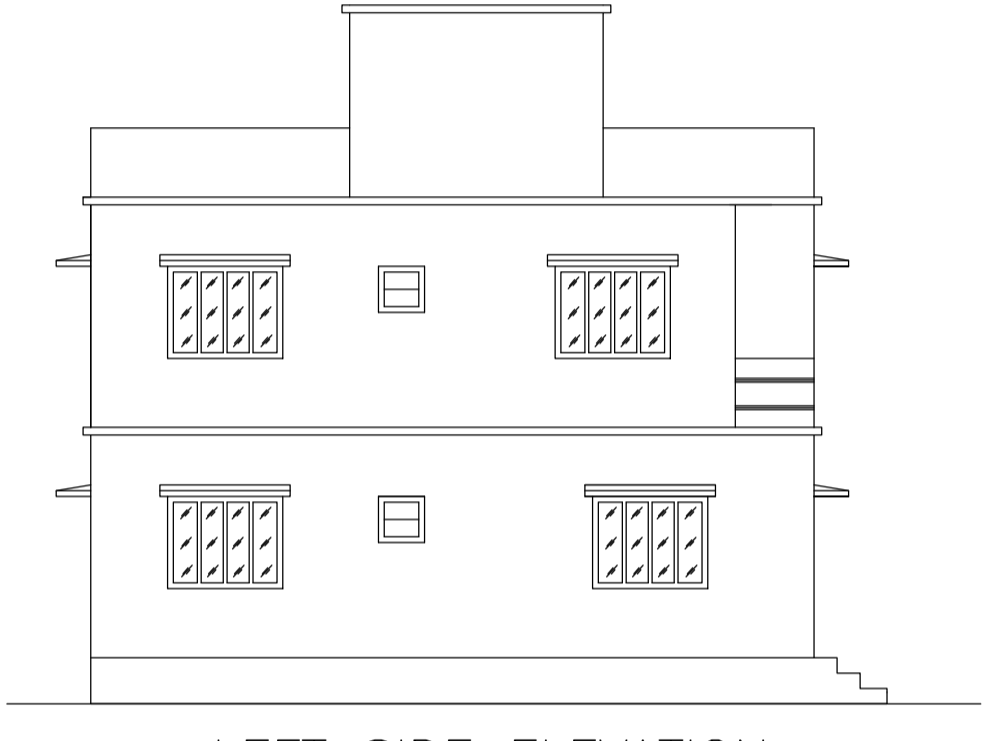


PLAN

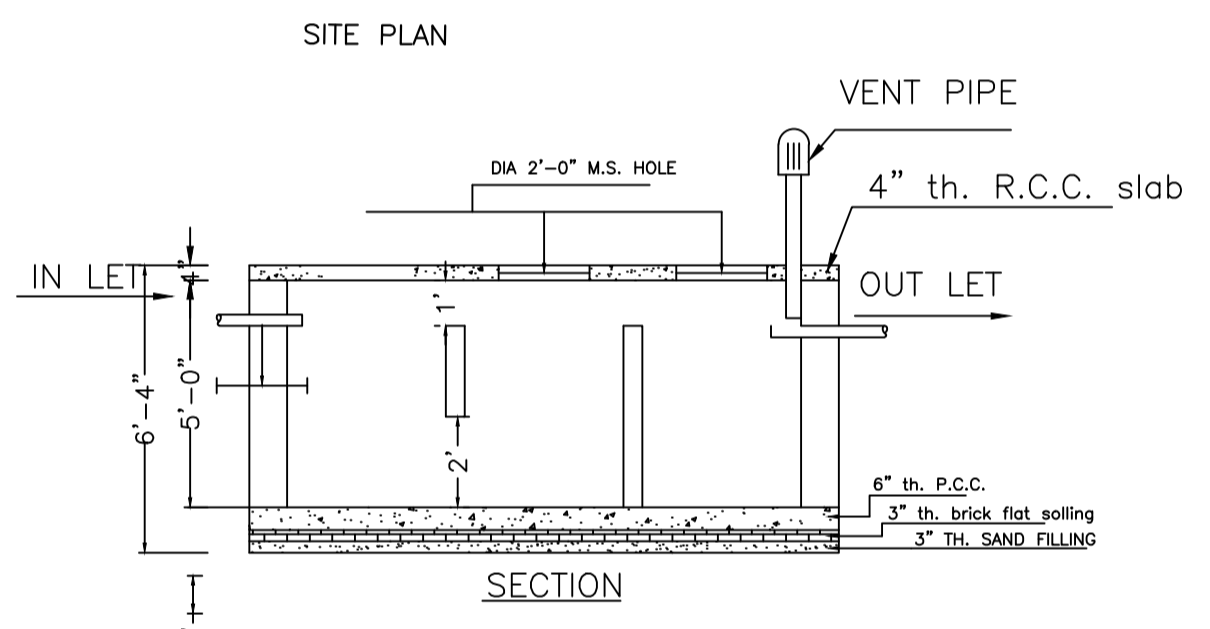
DETAILS OF COLUMN FOUNDATION



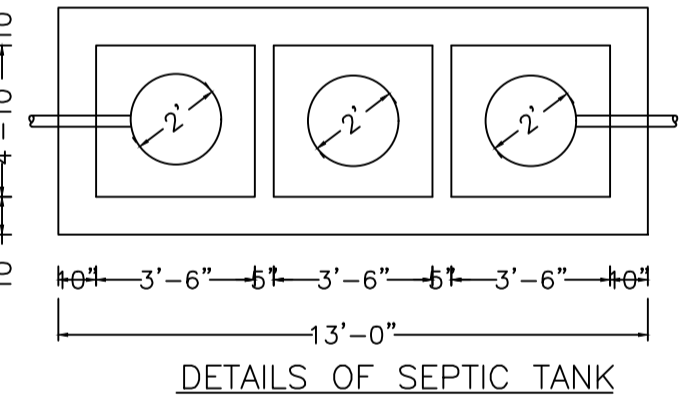
FRONT ELEVATION



LEFT SIDE ELEVATION



SECTION



DETAILS OF SEPTIC TANK

Building :RITA (GOUTAM)

Floor Name	Total Built Up Area (Sq.mt.)	Proposed FAR Area (Sq.mt.)	Total FAR Area (Sq.mt.)	Total Consumed Additional FAR Area (Sq.mt.)	Tnmt (No.)
Ground Floor	72.60	72.60	72.60	72.60	01
First Floor	72.60	72.60	72.60	72.60	00
Terrace Floor	0.00	0.00	0.00	0.00	00
Total :	145.20	145.20	145.20	145.20	01
Total Number of Same Buildings :	1				
Total :	145.20	145.20	145.20	145.20	01

SCHEDULE OF DOOR:

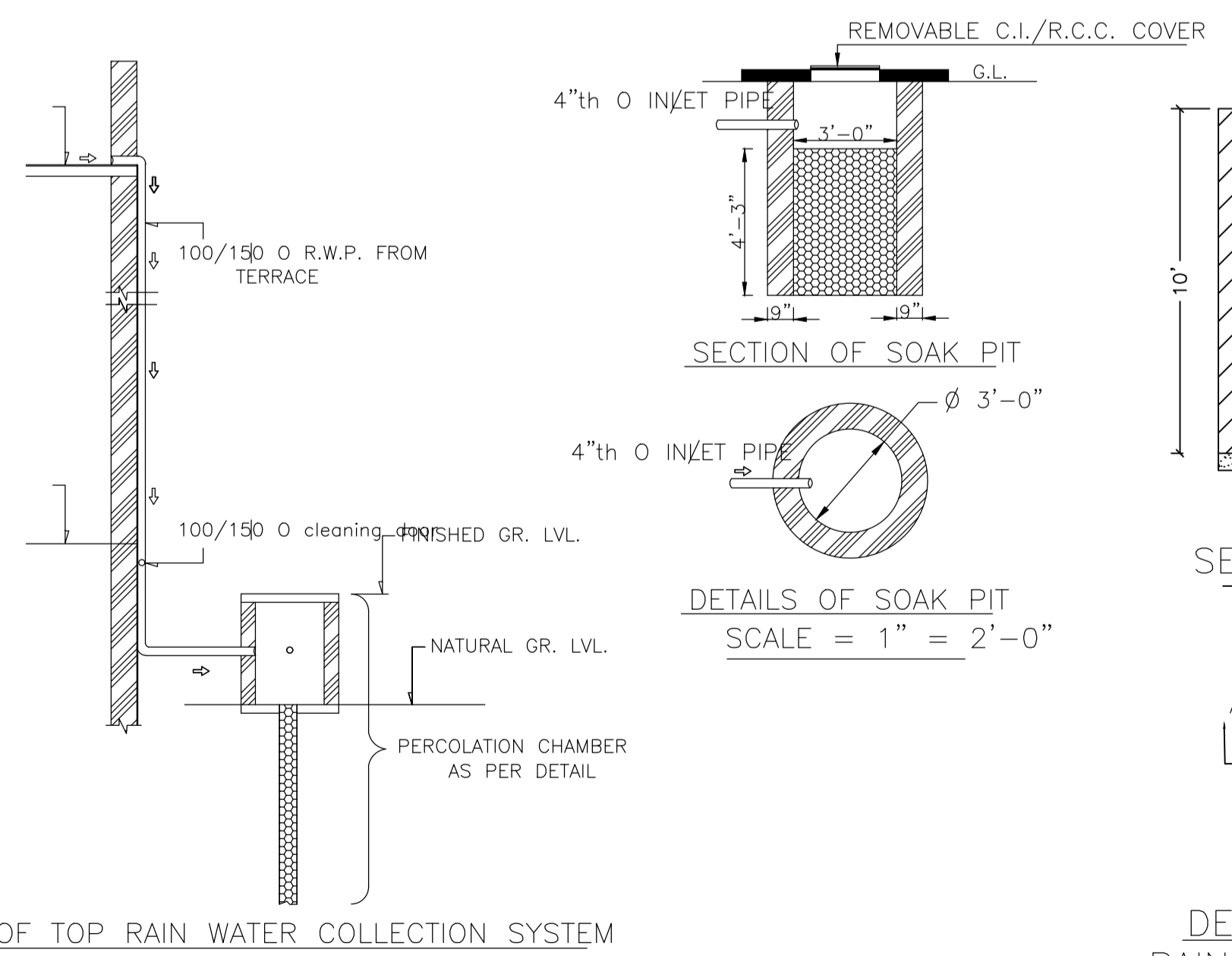
BUILDING NAME	NAME	LENGTH	HEIGHT	NOS
RITA (GOUTAM)	D	0.76	2.10	04
RITA (GOUTAM)	D	0.91	2.10	03
RITA (GOUTAM)	D	0.94	2.10	01
RITA (GOUTAM)	D	1.07	2.10	03
RITA (GOUTAM)	D	1.32	2.10	01

SCHEDULE OF WINDOW/VENTILATION:

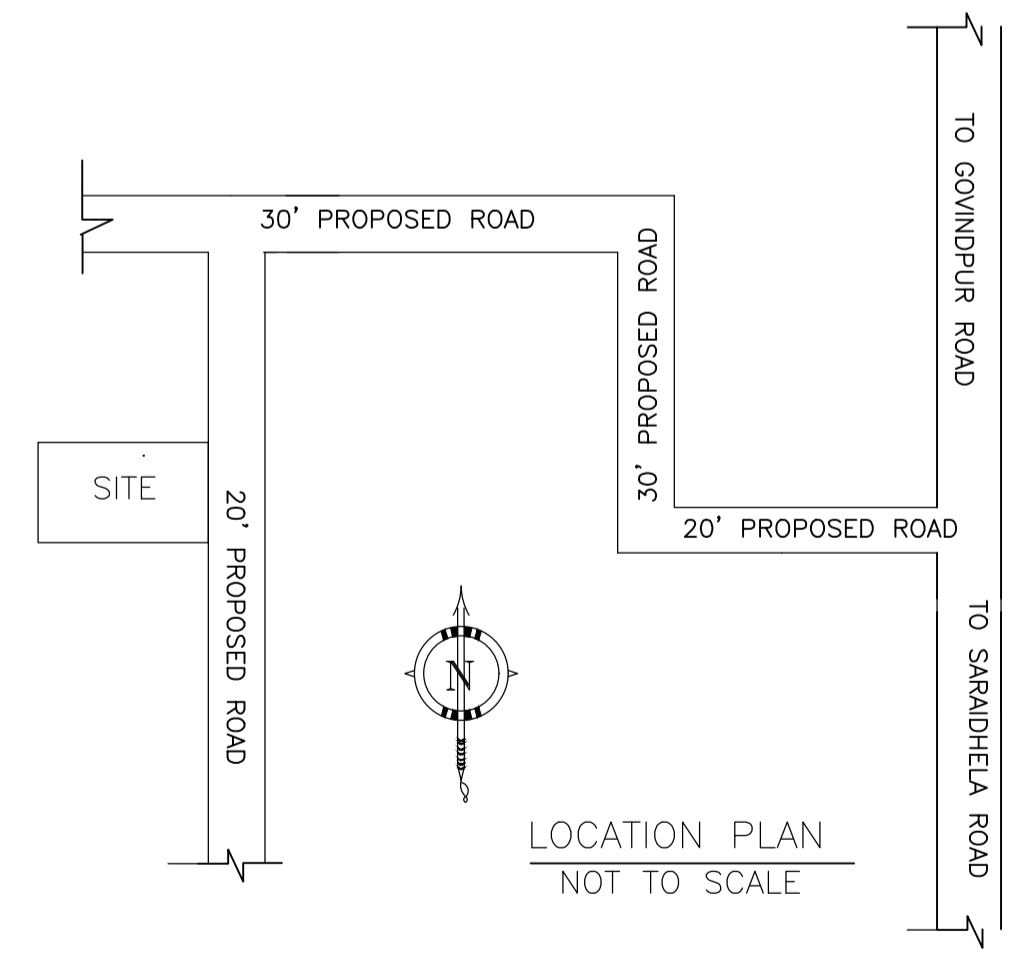
BUILDING NAME	NAME	LENGTH	HEIGHT	NOS
RITA (GOUTAM)	W	0.61	1.20	03
RITA (GOUTAM)	W	0.91	1.20	04
RITA (GOUTAM)	W	1.22	1.20	03
RITA (GOUTAM)	W	1.52	1.20	07
RITA (GOUTAM)	W	1.54	1.20	01

UnitBUA Table for Building :RITA (GOUTAM)

FLOOR	Name	UnitBUA Type	UnitBUA Area	Carpet Area	No. of Rooms	No. of Tenement
GROUND FLOOR PLAN	SPLIT 1	FLAT	145.21	143.90	5	1
FIRST FLOOR PLAN	SPLIT 1	FLAT	0.00	0.00	8	0
Total:	-	-	145.21	143.90	13	1



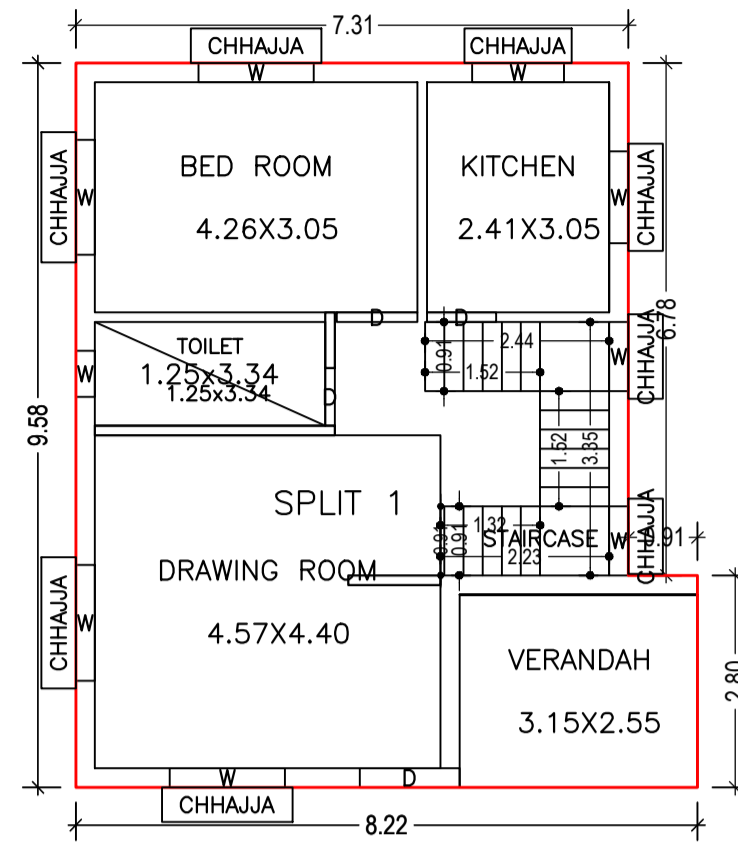
DETAILS DRAWING OF RAIN WATER HARVESTING



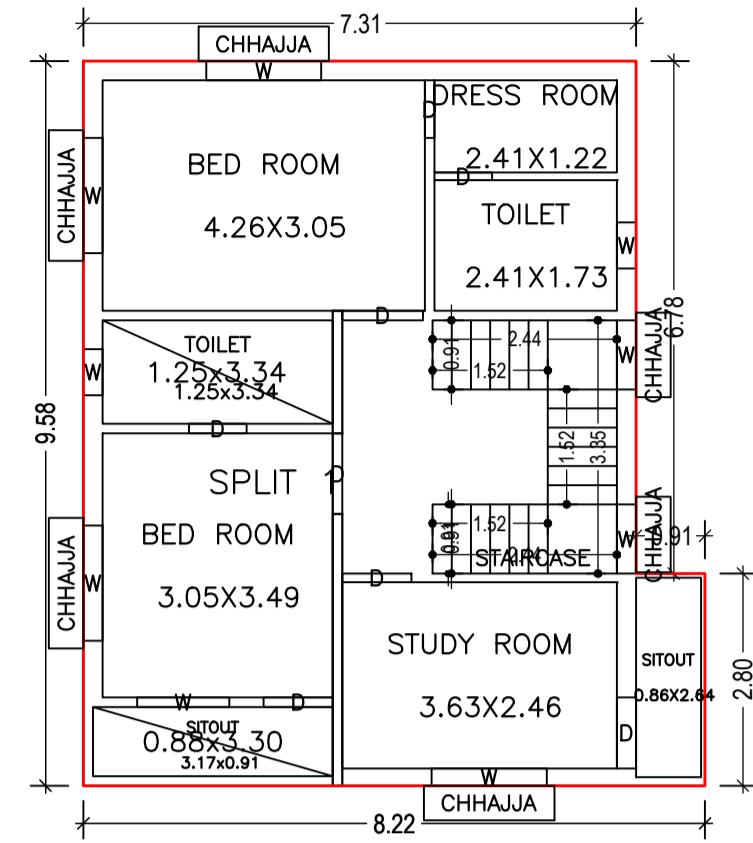
LOCATION PLAN NOT TO SCALE

LTP NAME AND SIGNATURE	STRUCTURAL ENG'S NAME AND SIGNATURE	BUILDER NAME AND SIGNATURE	DIGITAL SIGNATURE
RAM PRATAP SINGH MADA/ARC/0024/2019			

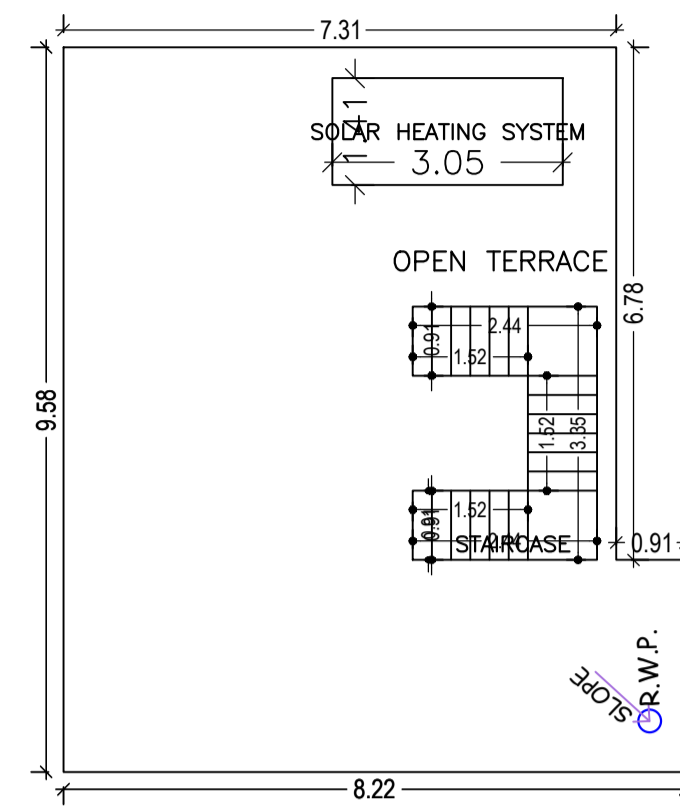
Proposal Basic Information	
Proposal File No.	MADA/BP/0280/2022
Owner Name	1. SMT. RITA ROY AND 2. SRI. GOUTAM KUMAR ROY
Khata No	OLD KHATA NO- 69, NEW KHATA NO-134
Plot No	OLD PLOT NO- 500, NEW PLOT NO-1455
Village Name	Jialgora
Use	Residential
SubUse	Bungalow/ Dwelling / Non Apartment



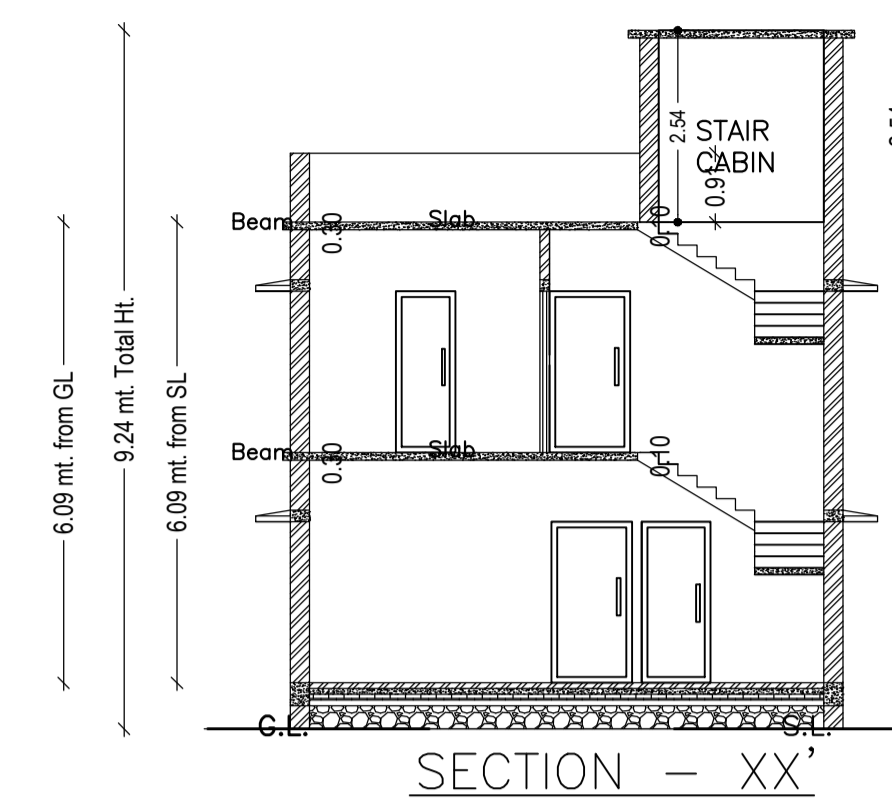
GROUND FLOOR PLAN
(Proposed)
(SCALE 1:100)



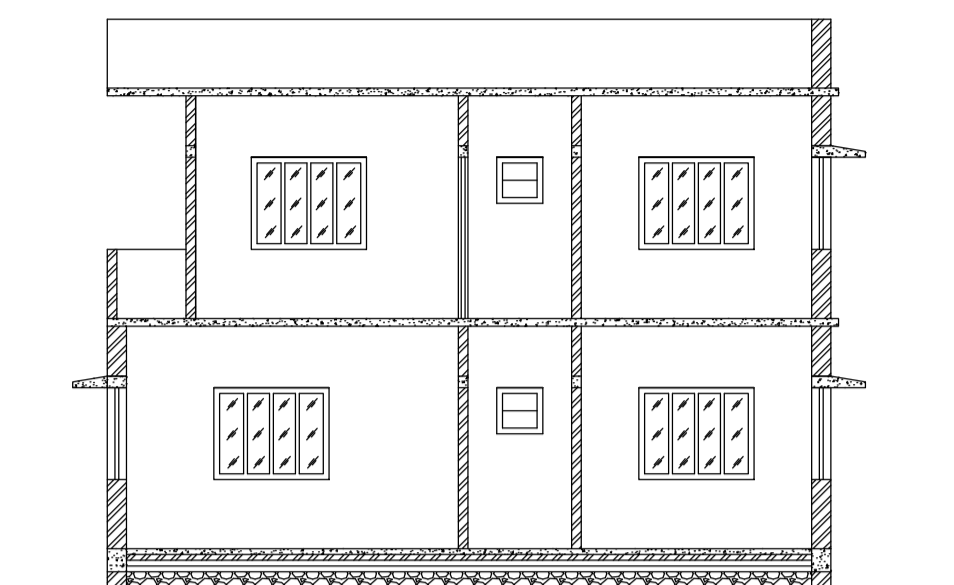
FIRST FLOOR PLAN
(Proposed)
(SCALE 1:100)



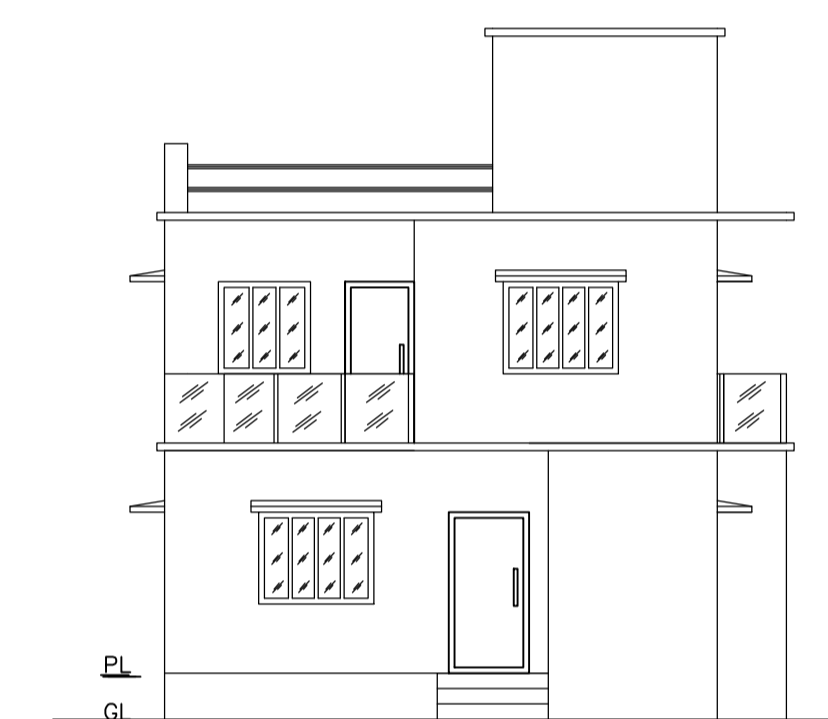
TERRACE FLOOR PLAN
(SCALE 1:100)



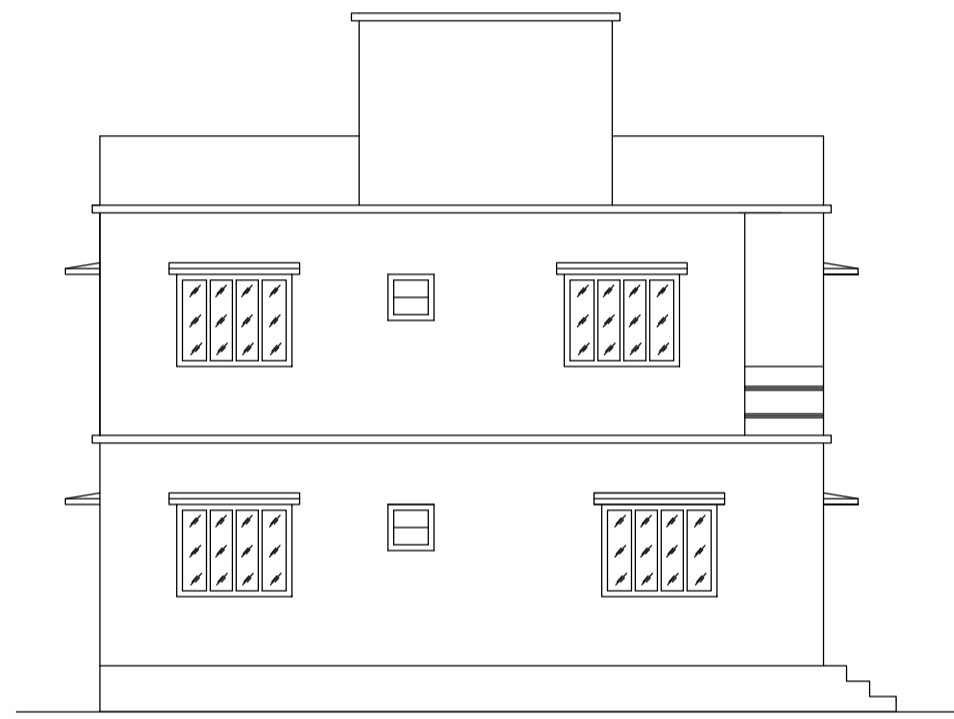
SECTION - XX'



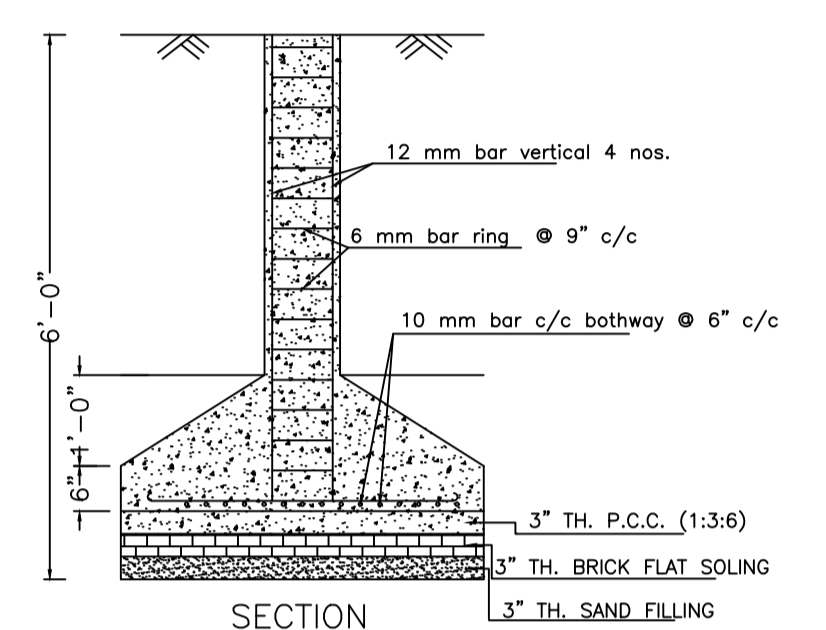
SECTION - YY'



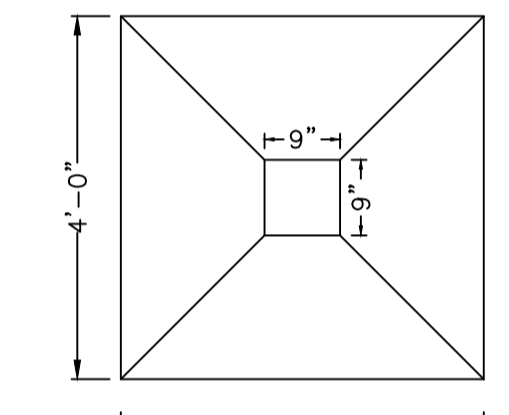
FRONT ELEVATION



LEFT SIDE ELEVATION

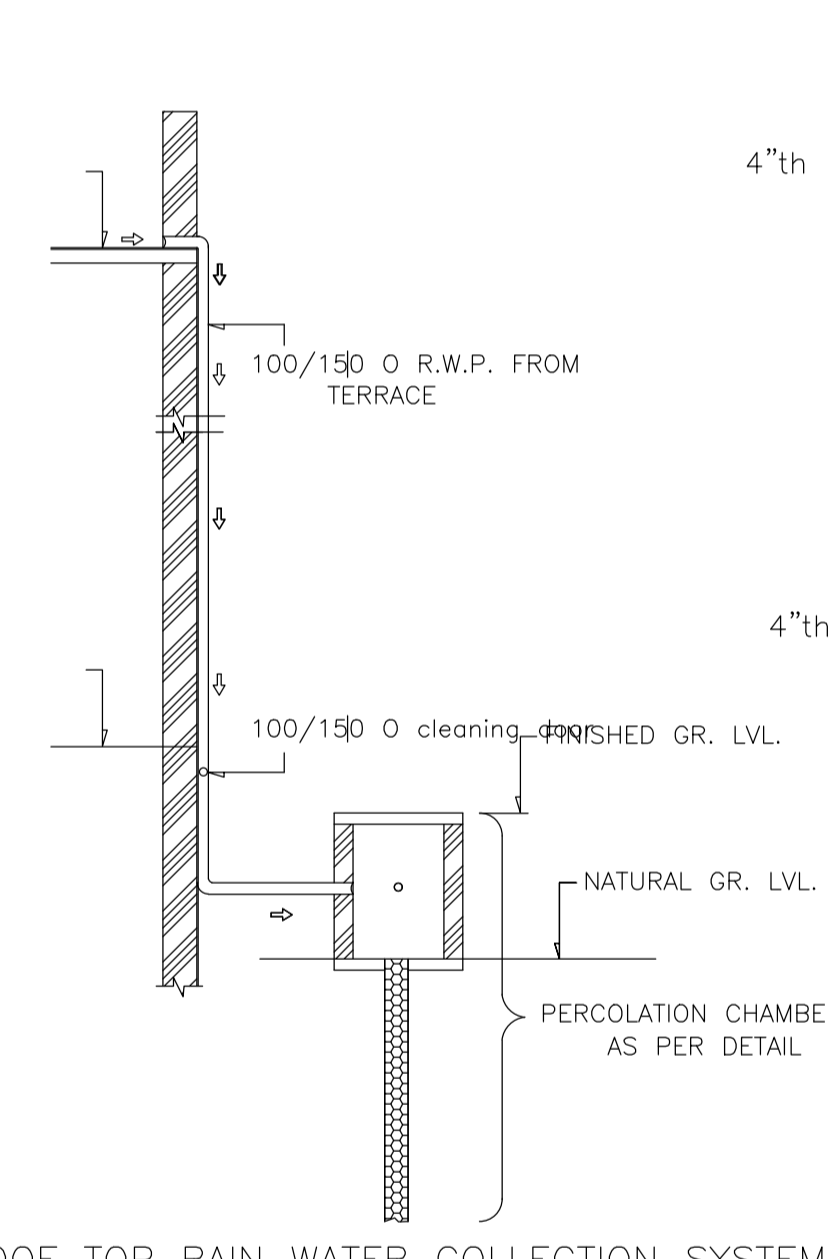


SECTION

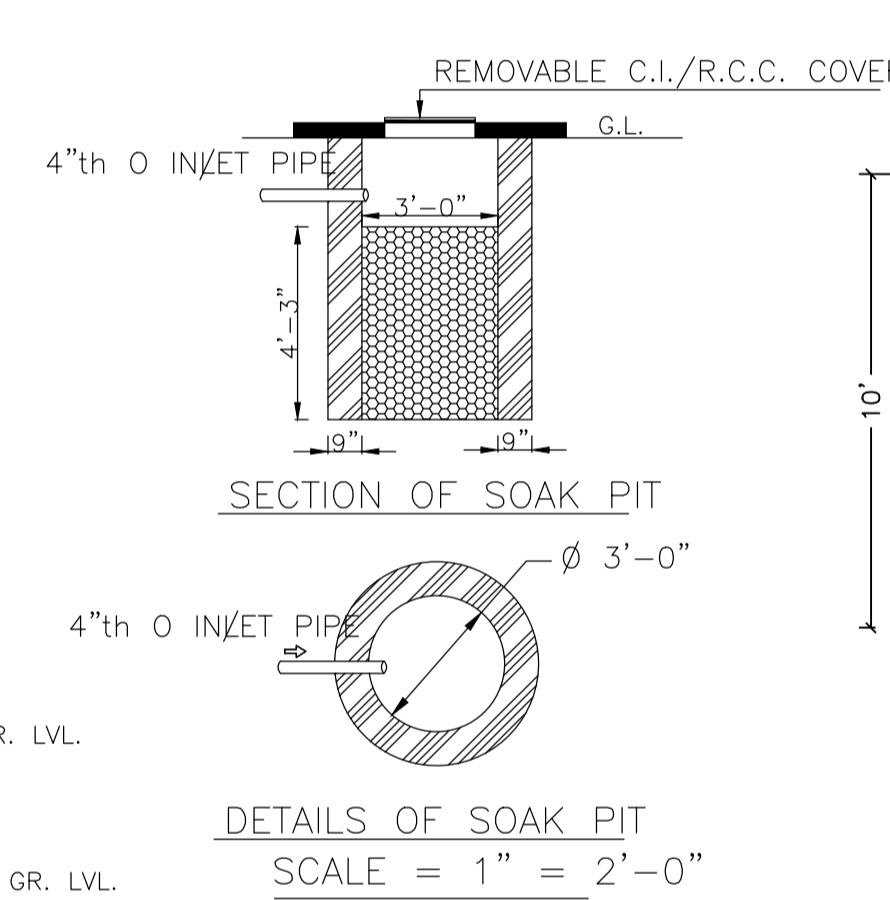


PLAN

DETAILS OF COLUMN FOUNDATION

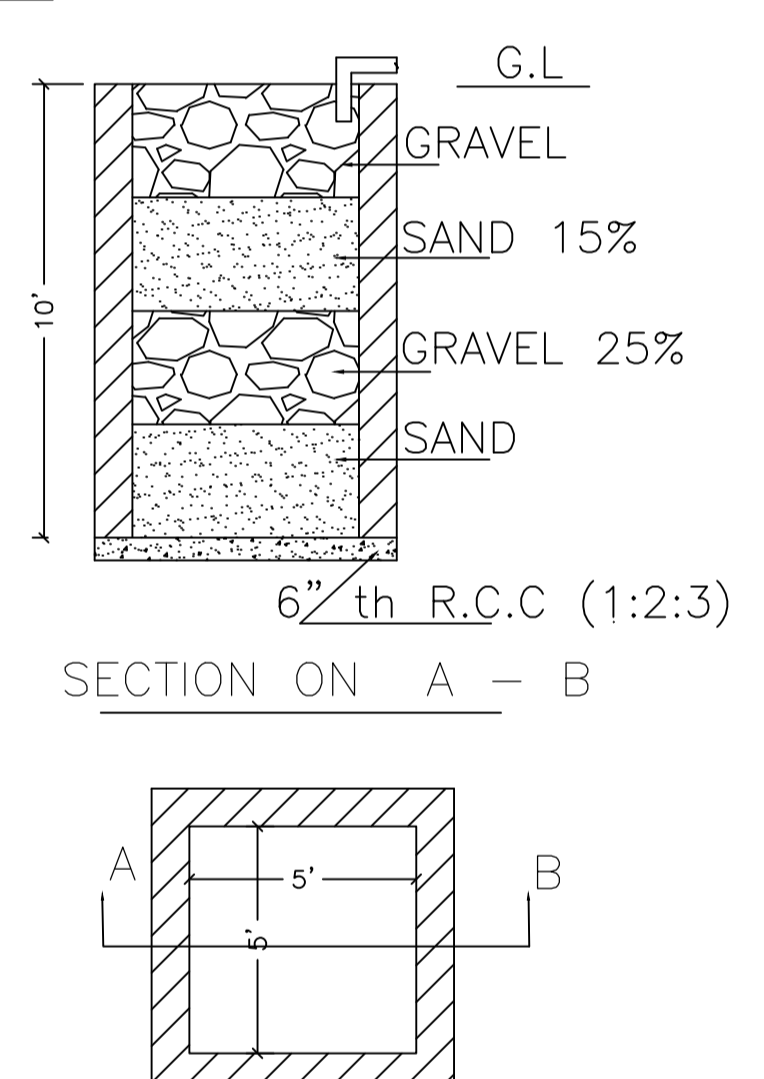


ROOF TOP RAIN WATER COLLECTION SYSTEM



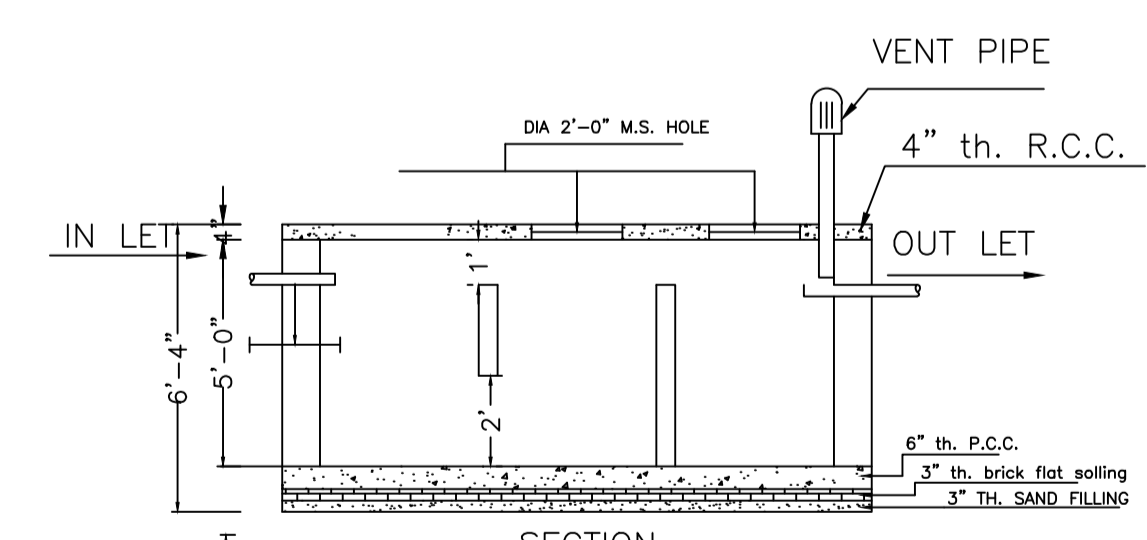
SECTION OF SOAK PIT

DETAILS OF SOAK PIT
SCALE = 1" = 2'-0"



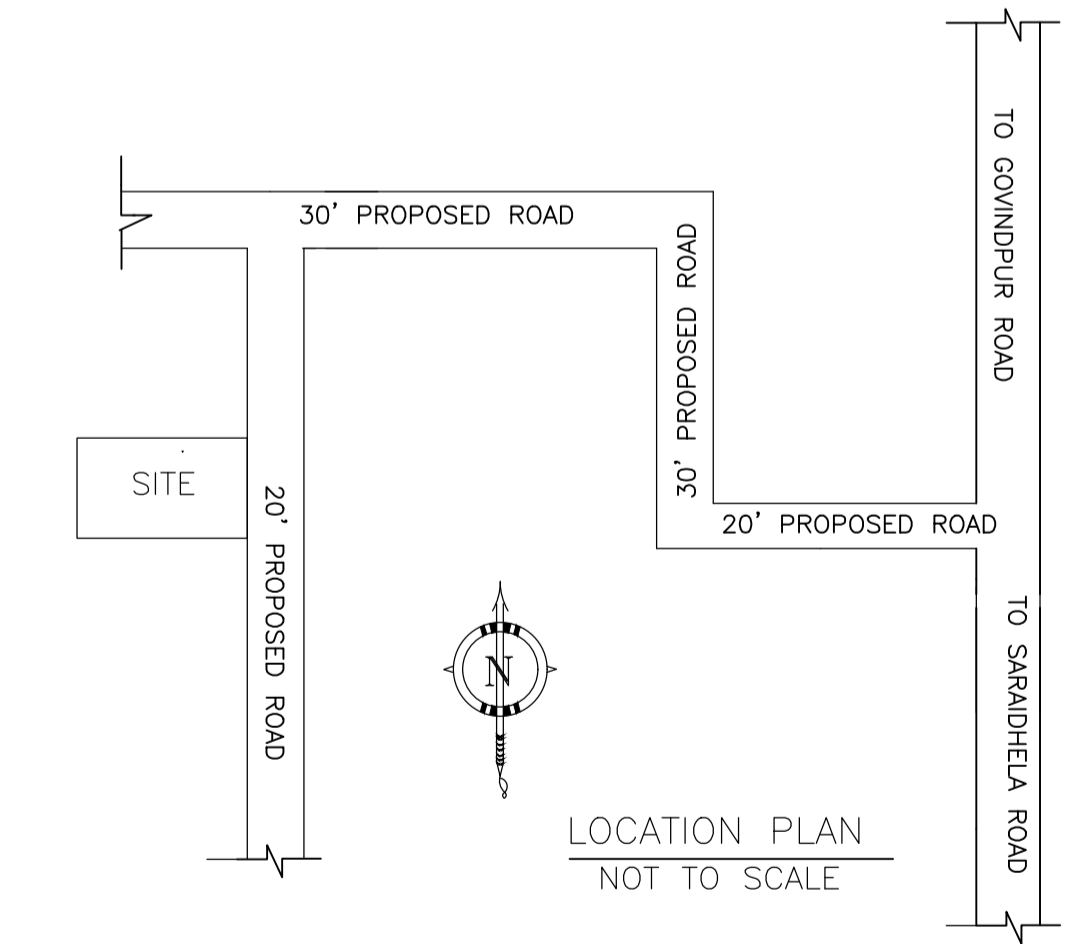
SECTION ON A - B

DETAILS DRAWING OF
RAIN WATER HARVESTING

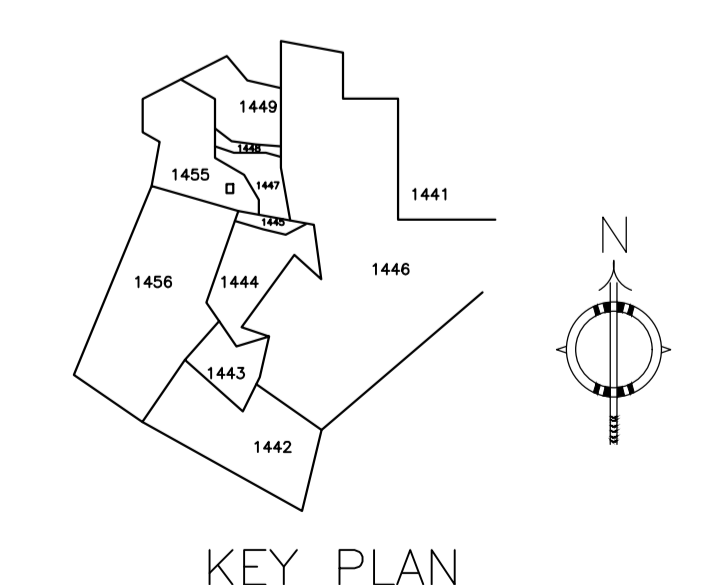


SECTION

DETAILS OF SEPTIC TANK



LOCATION PLAN
NOT TO SCALE



KEY PLAN

LTP NAME AND SIGNATURE	STRUCTURAL ENG'S NAME AND SIGNATURE	BUILDER NAME AND SIGNATURE	DIGITAL SIGNATURE
RAM PRATAP SINGH MADA/ARC/0024/2019			