

SITE PLAN
SITE PLAN

Building :ABC (BCA)

Floor Name	Total Built Up Area (Sq.mt.)	Deductions (Area in Sq.mt.)	Proposed FAR Area (Sq.mt.)	Total FAR Area (Sq.mt.)	Total Consumed Additional FAR Area (Sq.mt.)	Tnmt (No.)
Ground Floor	211.94	84.88	127.06	127.06	127.06	01
First Floor	236.13	0.00	236.13	236.13	236.13	00
Terrace Floor	0.00	0.00	0.00	0.00	0.00	00
Total :	448.07	84.88	363.19	363.19	363.19	01
Total Number of Same Buildings :	1					
Total :	448.07	84.88	363.19	363.19	363.19	01

SCHEDULE OF DOOR:

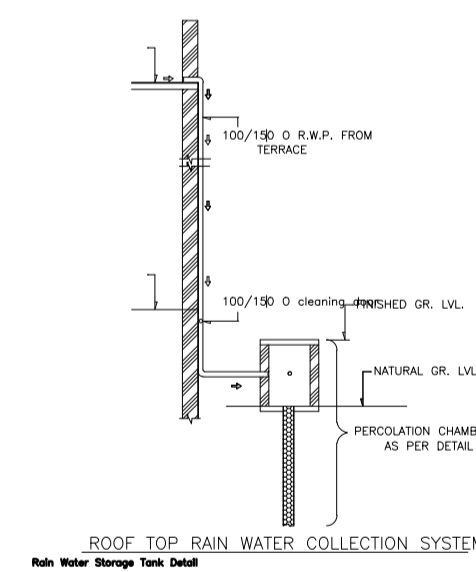
BUILDING NAME	NAME	LENGTH	HEIGHT	NOS
ABC (BCA)	D	0.76	2.10	10
ABC (BCA)	D	0.91	2.10	03
ABC (BCA)	D	1.07	2.10	04
ABC (BCA)	D	1.12	2.10	01
ABC (BCA)	D	1.21	2.10	02
ABC (BCA)	D	1.22	2.10	04

SCHEDULE OF WINDOW/VENTILATION:

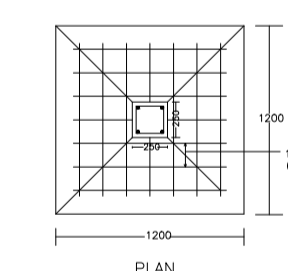
BUILDING NAME	NAME	LENGTH	HEIGHT	NOS
ABC (BCA)	W	0.61	1.20	01
ABC (BCA)	W	0.62	1.20	03
ABC (BCA)	W	0.63	1.20	02
ABC (BCA)	W	0.91	1.20	05
ABC (BCA)	W	1.22	1.20	12
ABC (BCA)	W	1.52	1.20	01
ABC (BCA)	W3	2.09	2.13	01
ABC (BCA)	W	2.33	1.20	01
ABC (BCA)	W	3.61	1.20	01

UnitBUA Table for Building :ABC (BCA)

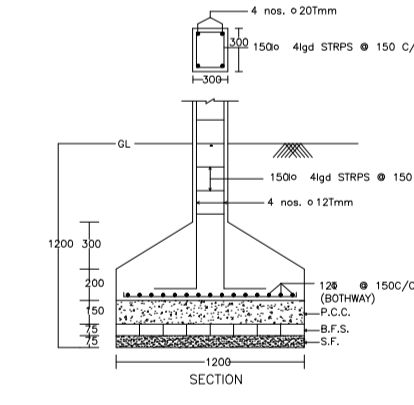
FLOOR	Name	UnitBUA Type	UnitBUA Area	Carpet Area	No. of Rooms	No. of Tenement
GROUND FLOOR PLAN	SPLIT ABC	FLAT	363.19	362.91	9	1
FIRST FLOOR PLAN	SPLIT ABC	FLAT	0.00	0.00	17	0
Total:	-	-	363.19	362.91	26	1



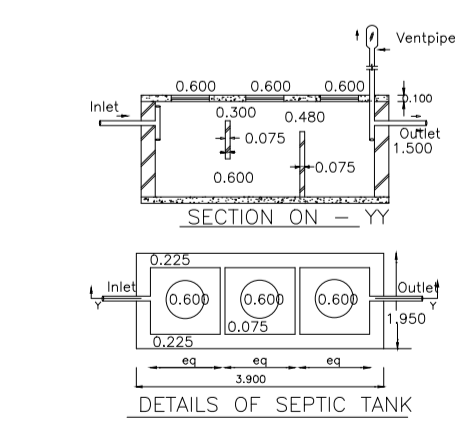
Roof Top Rain Water Collection System



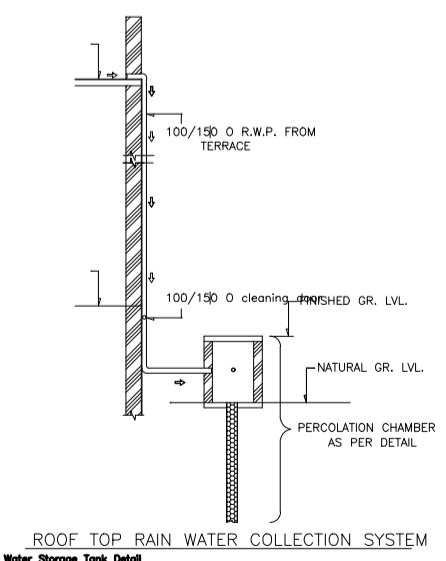
Structure Detail



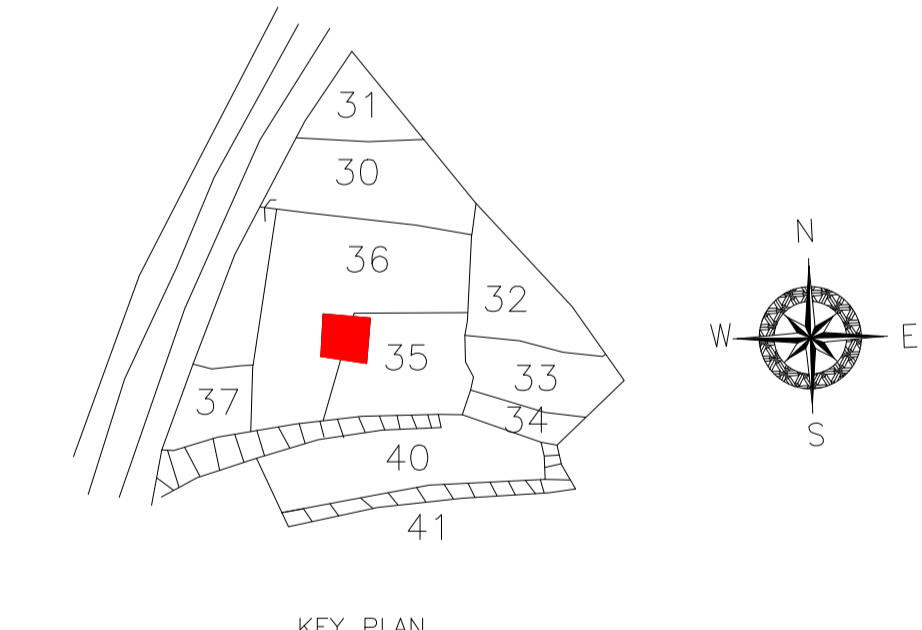
DETAIL OF COLUMNS



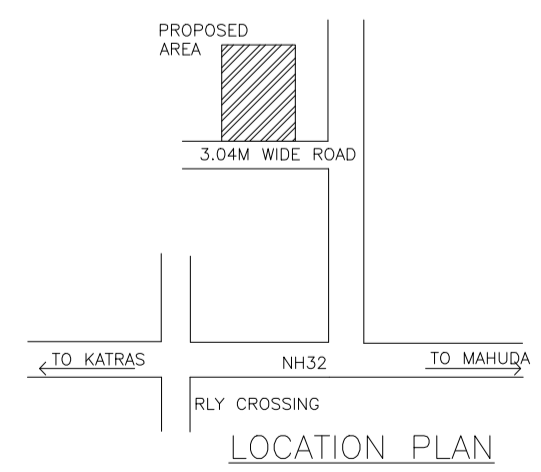
Septic Tank Detail



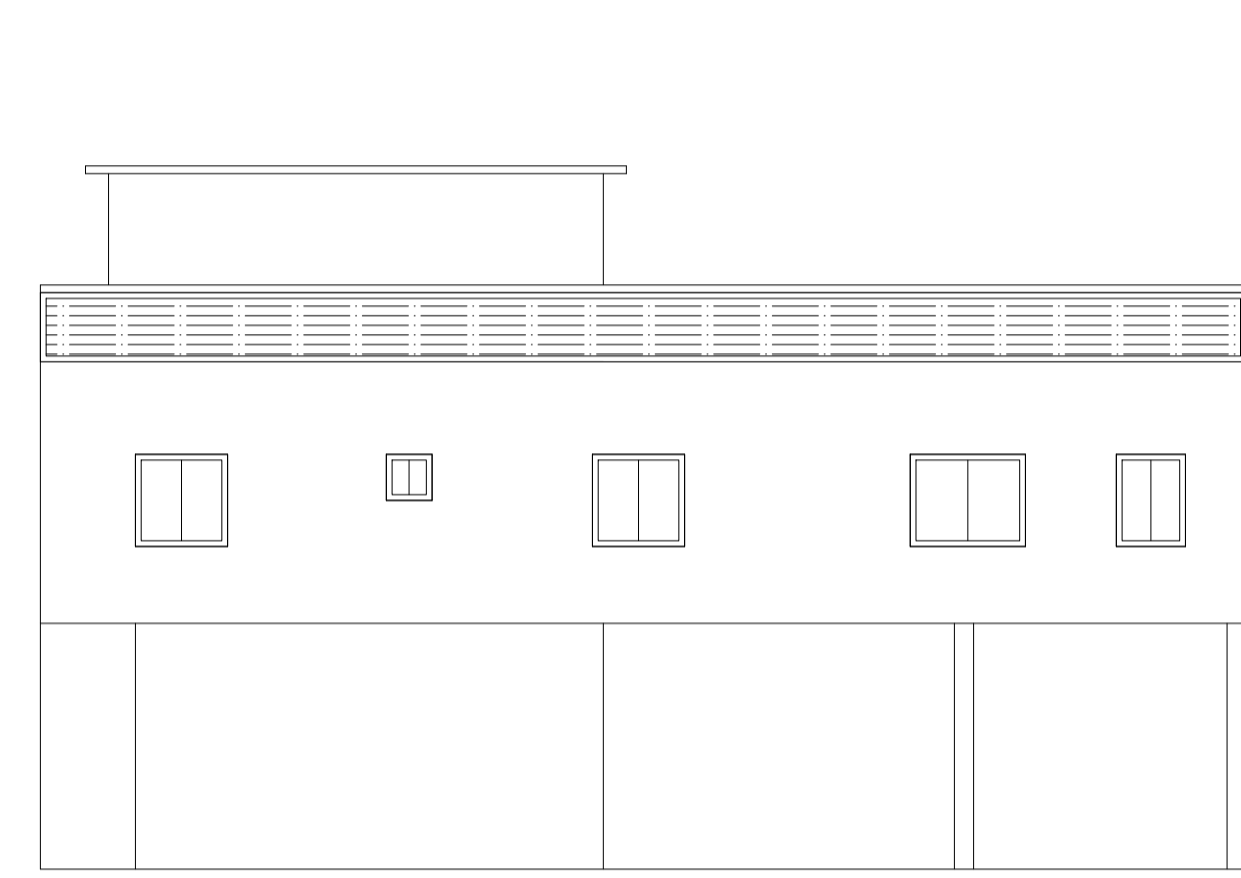
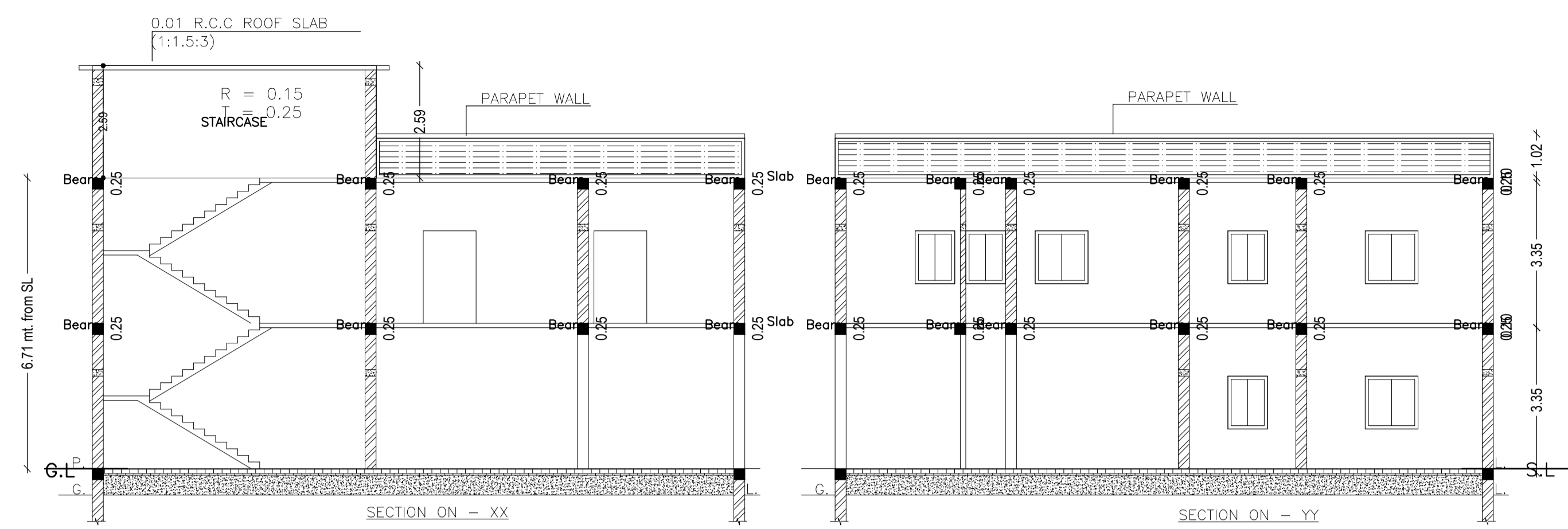
Roof Top Rain Water Collection System



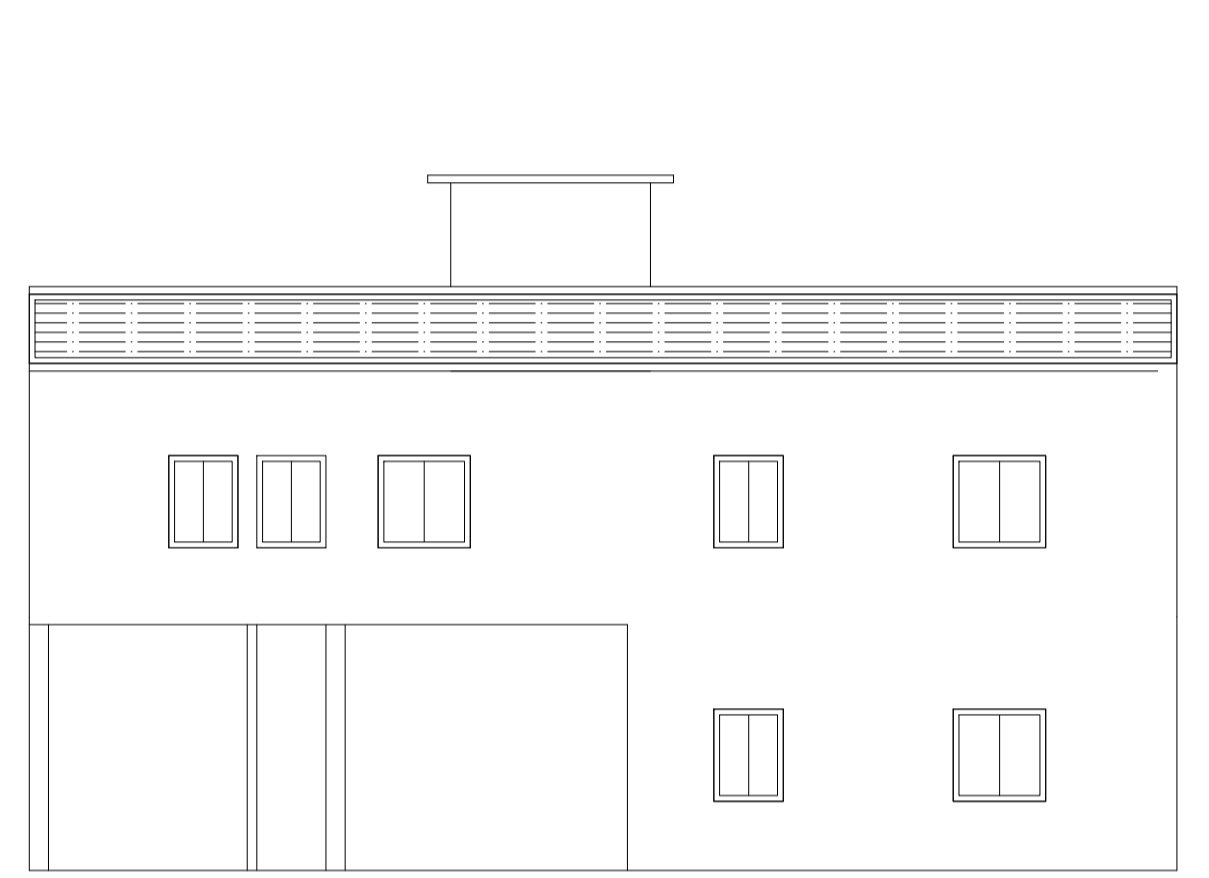
Key Plan



LOCATION PLAN



FRONT SIDE ELEVATION



LEFT SIDE ELEVATION

Proposal Basic Information

Proposal File No.	MADA/BP/0417/2022
Owner Name	SRI BIJAY KUMAR GUPTA
Khata No	NEW - 10, 17 OLD - 1,8
Plot No	NEW - 71,72,73,69 OLD - 35,36
Village Name	Chhadardih
Use	Residential
SubUse	Bungalow/ Dwelling / Non Apartment

AREA STATEMENT MINERAL AREA DEVELOPMENT AUTHORITY		VERSION NO. : 1.0.66
		VERSION DATE: 16/10/2020
PROJECT DETAIL:		
Region - JHARKHAND URBAN LOCAL BODIES	Plot Use: Residential	
District: DHANBAD	Plot SubUse: Bungalow/ Dwelling / Non Apartment	
Authority: MINERAL AREA DEVELOPMENT AUTHORITY	PlotNearbyReligiousStructure: NA	
Inward No: MADABP/0417/2022	Plot/SubPlot No: NEW - 71,72,73,69 OLD - 35,36	
Application Type: General Proposal	North: Plot No. - SITA RAM RAJ GADIYA	
Project Type: Building Permission	South: Road Width - 3.04M WIDE ROAD	
Nature of Development: New	East: Plot No. - SRI ASHOK KUMAR GUPTA	
Location of Development Area: Old Area	West: Plot No. - SMT SUNITA DEVI	
AREA DETAILS:		
AREA OF PLOT (Minimum)	(A)	367.10 SQ.MT.
Deduction for NetPlot Area		
Surrender Free of Cost		5.41
Total		5.41
NET AREA OF PLOT(Gross Plot Area - Deduction from Gross Plot area)	(A-Deductions)	361.69
Deduction for Balance Plot Area(from Gross Plot Area)		
Surrender Free of Cost		5.41
Common Plot		27.58
Total		32.99
BALANCE AREA OF PLOT(Net Plot Area - Recreational/Amenity space)	(A-Deductions)	334.11
PLOT AREA FOR COVERAGE(Net Plot Area)	(A-Deductions)	361.69
Plot Area for FAR (Net Plot Area + RoadWidening Area)	(A-Deductions)	367.10
COVERAGE CHECK		
Permissible Coverage area (60.00 %)		217.01
Proposed Coverage Area (58.60 %)		211.94
Total Prop. Coverage Area (58.6 %)		211.94
Balance coverage area (1.40 %)		5.07
FAR CHECK		
Perm. FAR Area (1.200)		440.52
Total Perm. FAR area		440.52
Residential FAR		363.19
Proposed FAR Area		363.19
Total Proposed FAR Area		363.19
Consumed FAR (Factor)		0.99
Balance FAR Area		77.33
BUILT UP AREA CHECK		
Total Proposed BuiltUp Area		448.07
ARCHITECT (Regd)		ABHISHEK KUMAR
ENGINEER (Regd)		
SUPERVISOR (Regd)		
OWNER (Regd)		SRI BIJAY KUMAR GUPTA
DEVELOPMENT AUTHORITY		LOCAL BODY

COLOR INDEX

PLOT BOUNDARY	Black
ABUTTING ROAD	Green
PROPOSED CONSTRUCTION	Red
COMMON PLOT	Yellow
ROAD WIDENING AREA	Blue
EXISTING (To be retained)	Orange
EXISTING (To be demolished)	Light Blue

Buildingwise Floor FAR Details

Floor Name	Building Name		Total	
	Proposed Built Up Area (Sq.mt.)	Proposed FAR Area (Sq.mt.)	Total Proposed Built Up Area (Sq.mt.)	Total FAR Area (Sq.mt.)
Ground Floor	211.94	127.06	211.94	127.06
First Floor	236.13	236.13	236.13	236.13
Terrace Floor	0.00	0.00	0.00	0.00
Total :	448.07	363.19	448.07	363.19

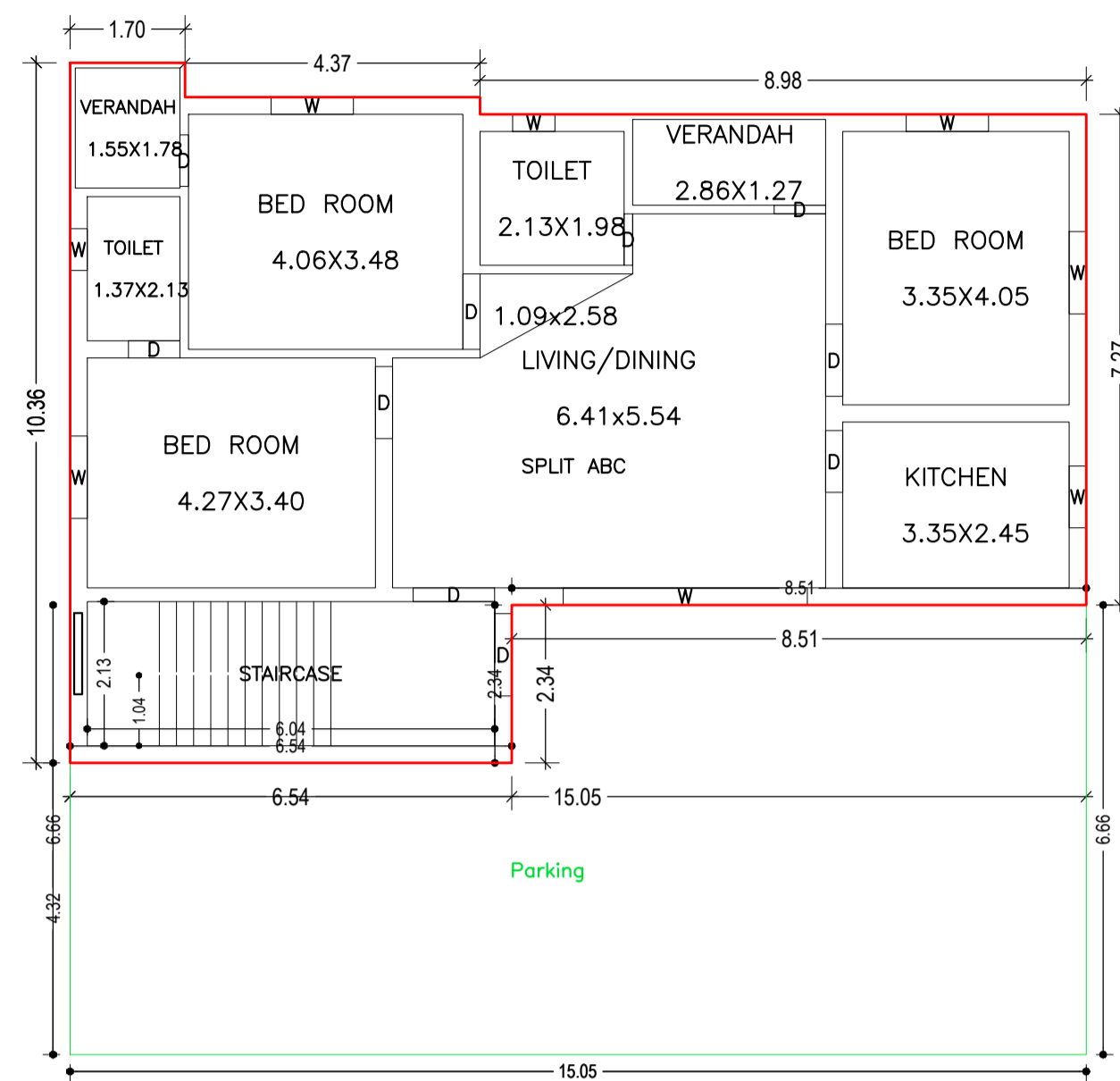
Building USE/SUBUSE Details

Building Name	Building Use	Building SubUse	Building Structure
ABC (BCA)	Residential	Bungalow/ Dwelling / Non Apartment	Non-Highrise

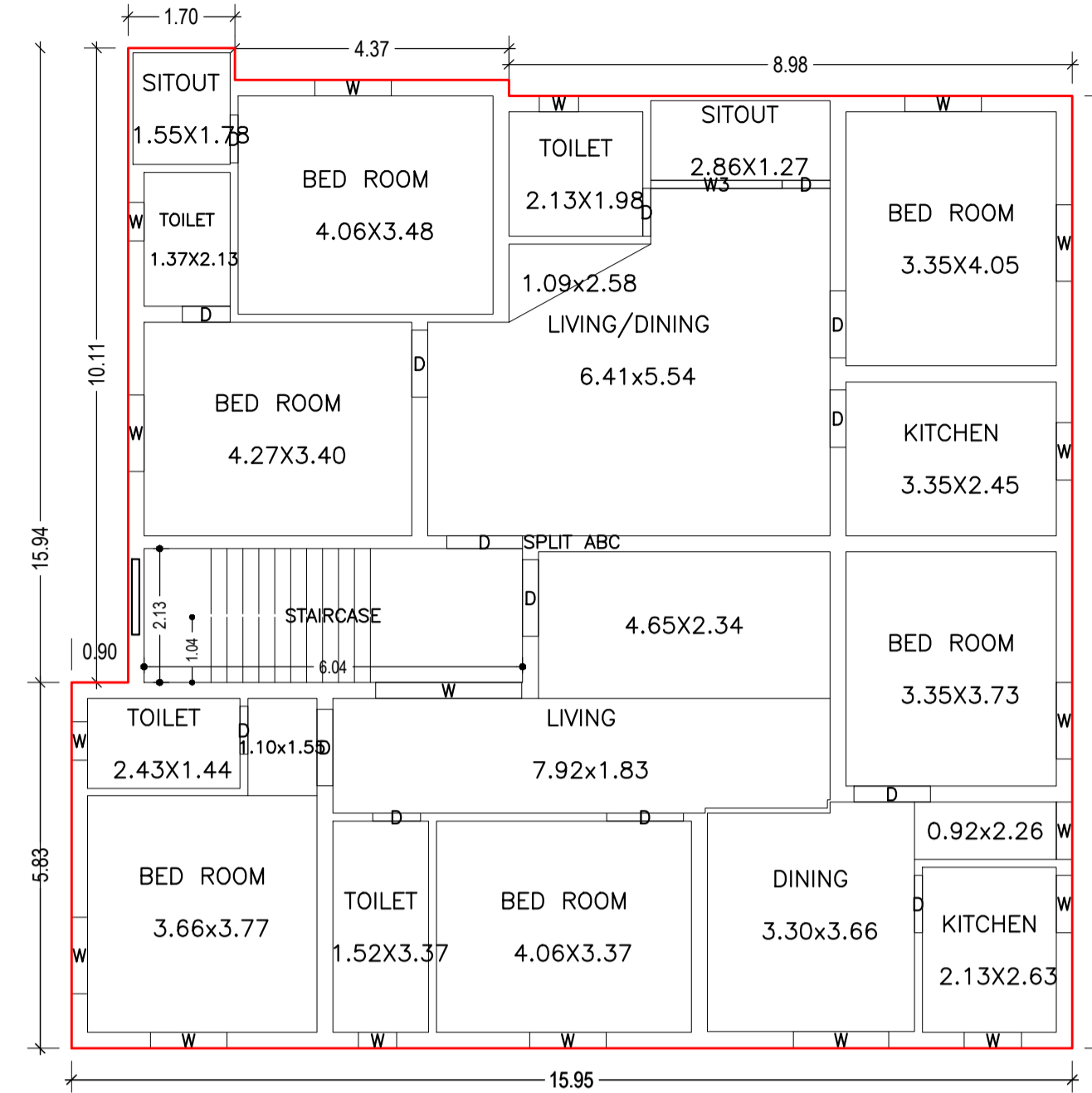
FAR & Tenement Details (Table 4c-1)

Building	No. of Same Bldg	Total Built Up Area (Sq.mt.)	Deductions (Area in Sq.mt.)		Proposed FAR Area (Sq.mt.)	Total FAR Area (Sq.mt.)	Total Consumed Additional FAR Area (Sq.mt.)	Tnmt (No.)
			Parking	Resi.				
ABC (BCA)	1	448.07	84.88	363.19	363.19	363.19	01	
Grand Total :	1	448.07	84.88	363.19	363.19	363.19	01	

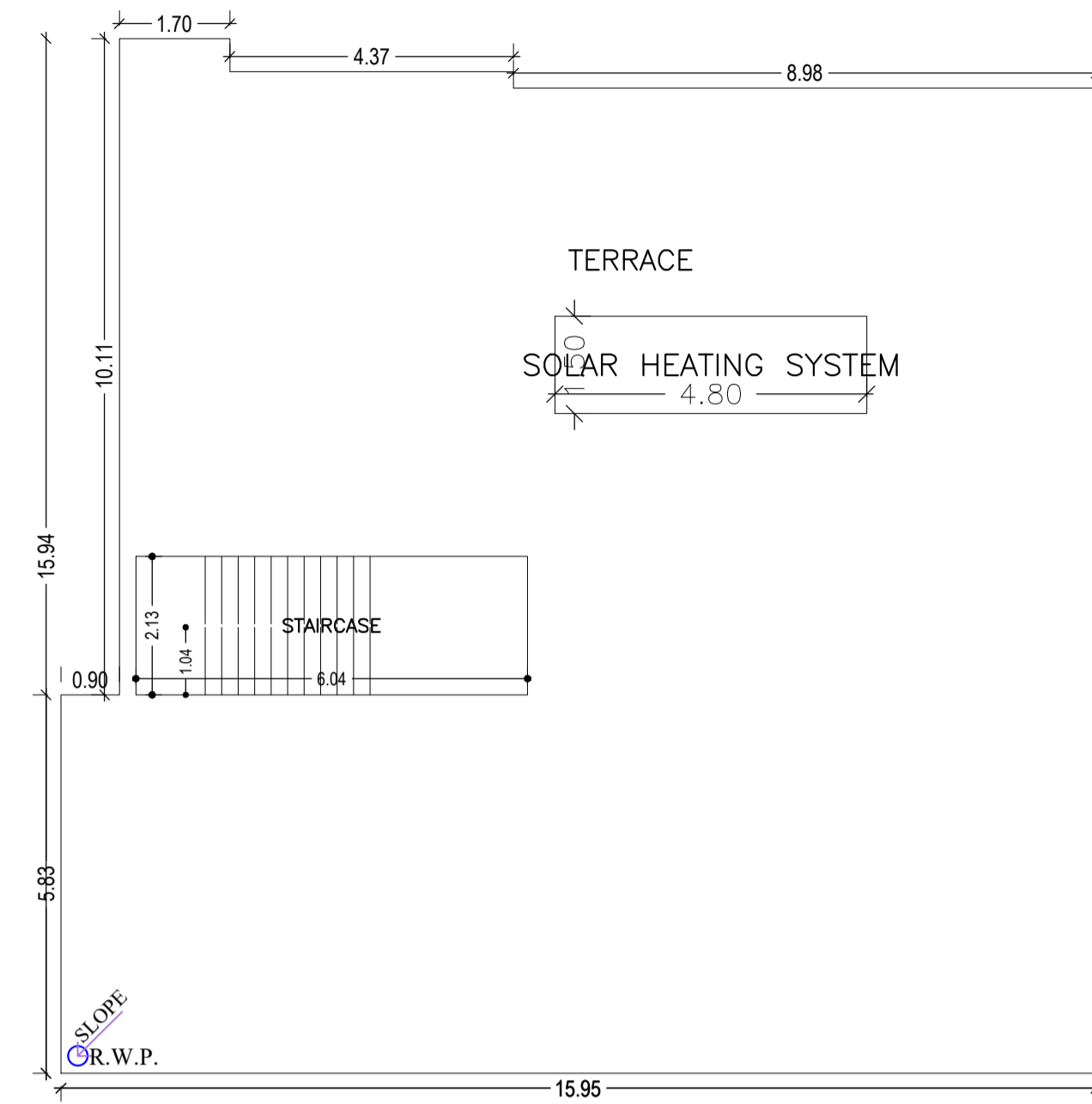
LTP NAME AND SIGNATURE	STRUCTURAL ENG'S NAME AND SIGNATURE	BUILDER NAME AND SIGNATURE	DIGITAL SIGNATURE
ABHISHEK KUMAR MADA/DFTMN0014/2020			



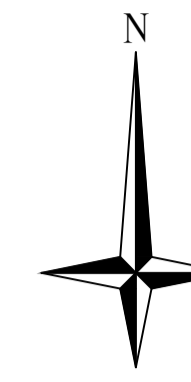
GROUND FLOOR PLAN
(Proposed)
(SCALE 1:100)



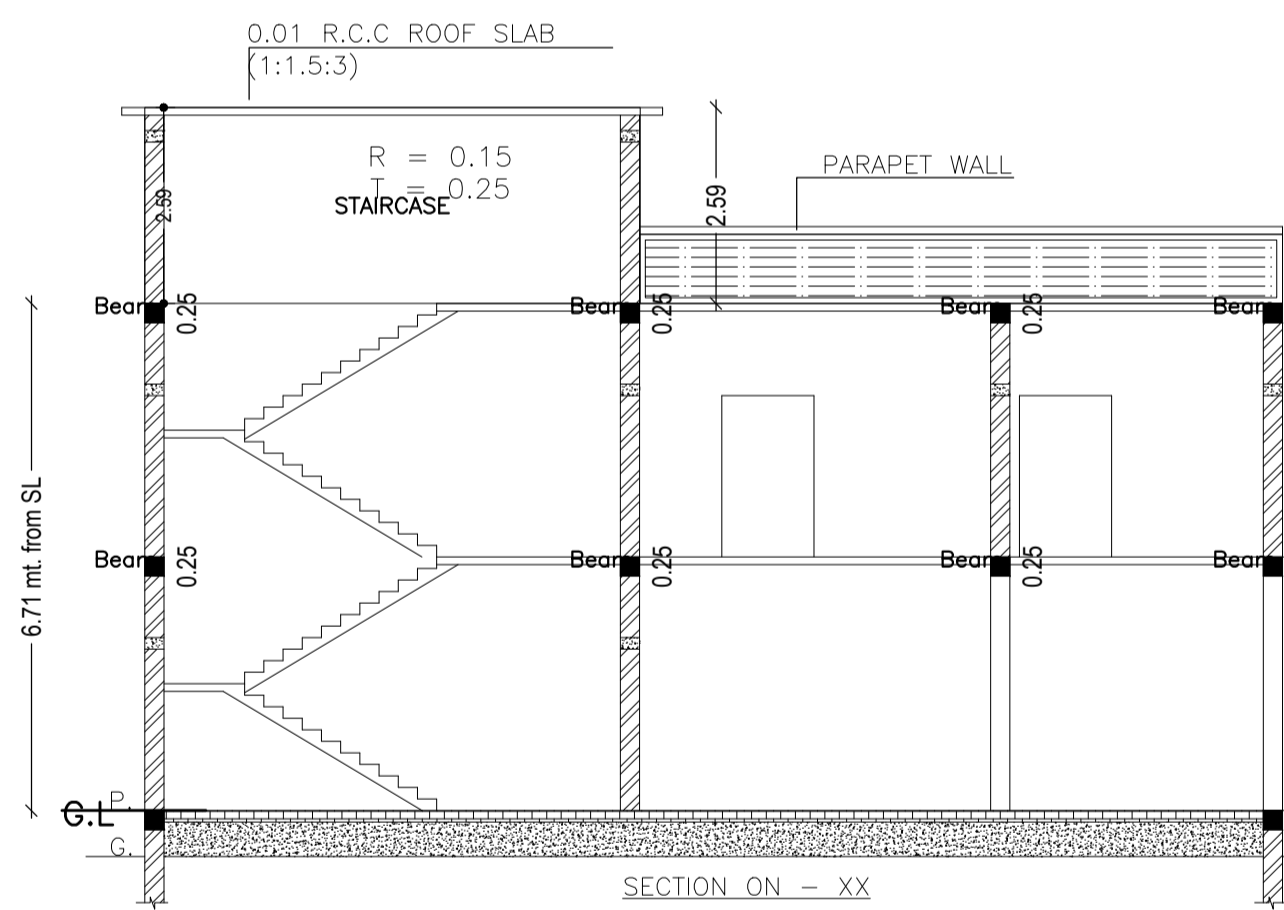
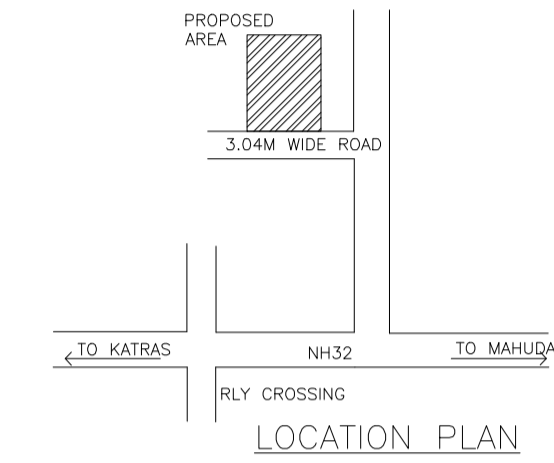
FIRST FLOOR PLAN
(Proposed)
(SCALE 1:100)



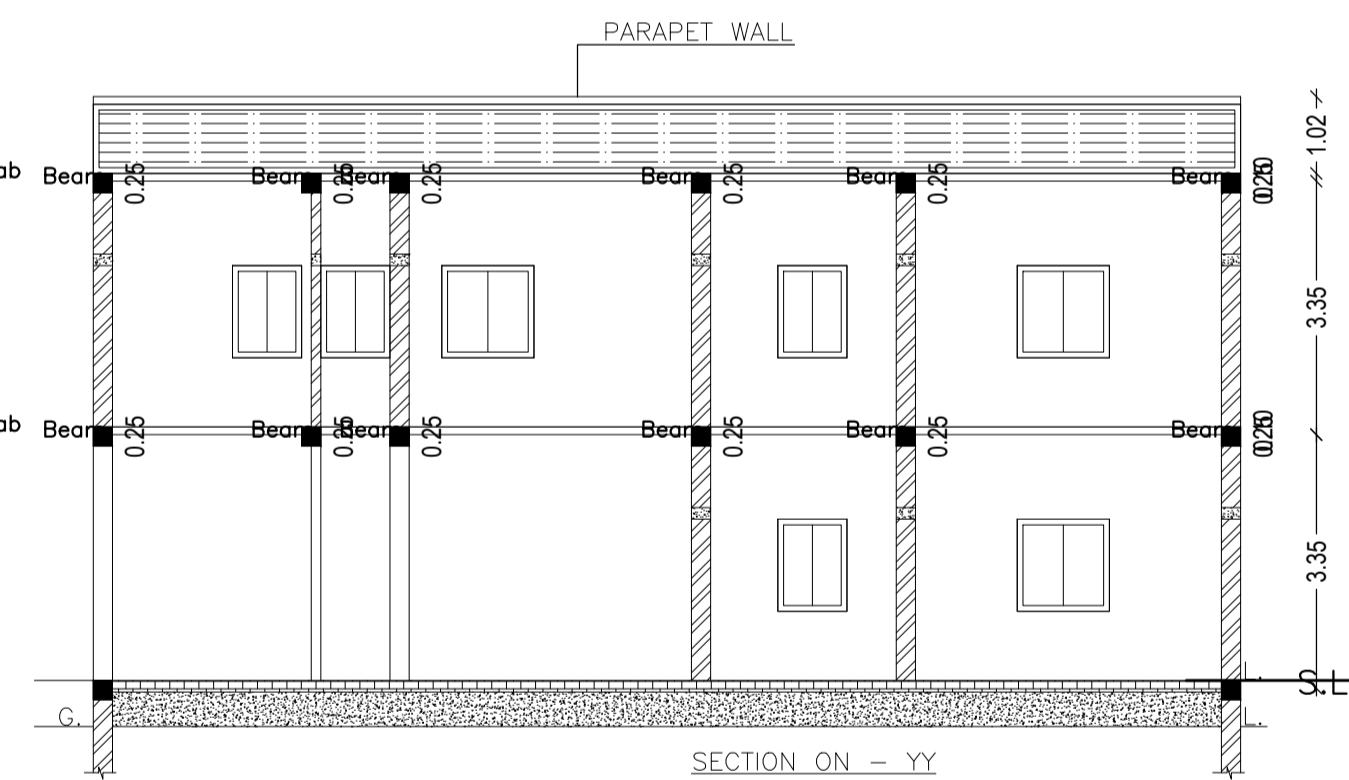
TERRACE FLOOR PLAN
(SCALE 1:100)



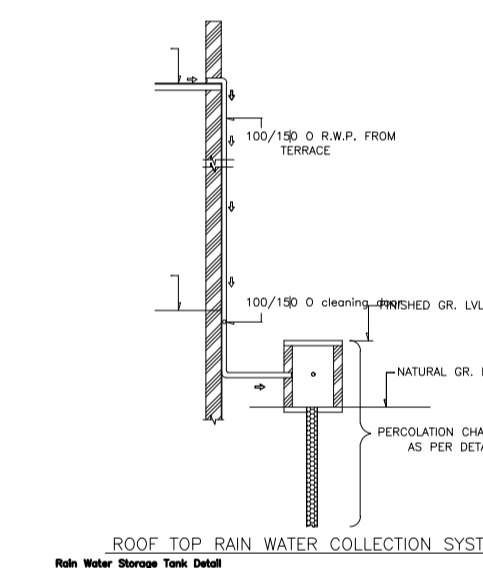
Proposal Basic Information	
Proposal File No.	MADA/BP/0417/2022
Owner Name	SRI BIJAY KUMAR GUPTA
Khata No	NEW - 10, 17 OLD - 1,8
Plot No	NEW - 71,72,73,69 OLD - 35,36
Village Name	Chhadardih
Use	Residential
SubUse	Bungalow/ Dwelling / Non Apartment



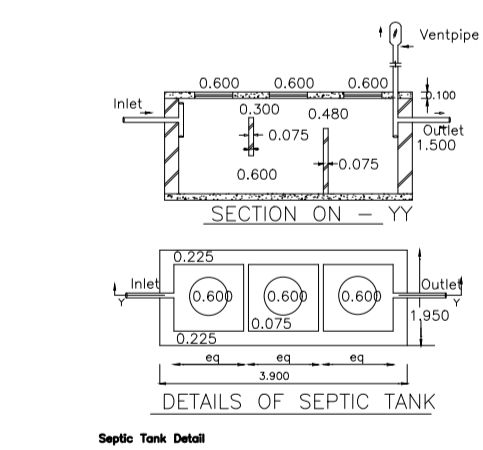
SECTION ON - XX



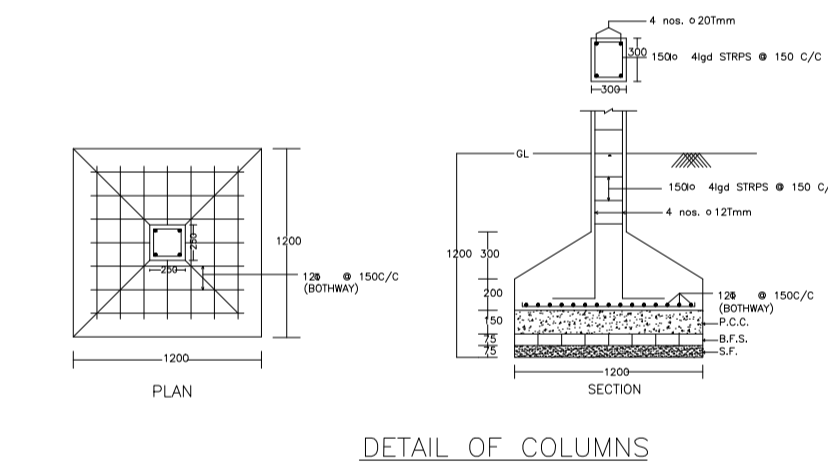
SECTION ON - YY



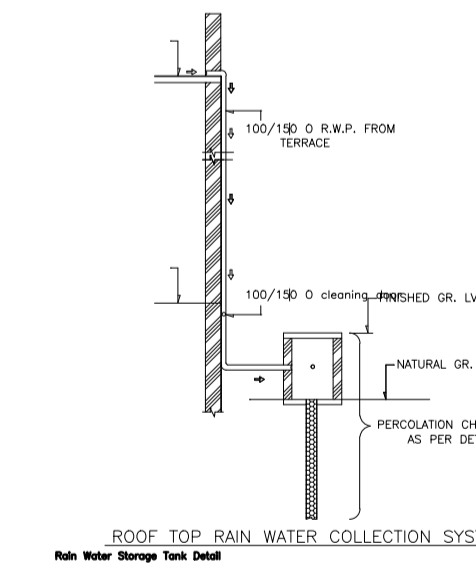
Roof Water Storage Tank Detail



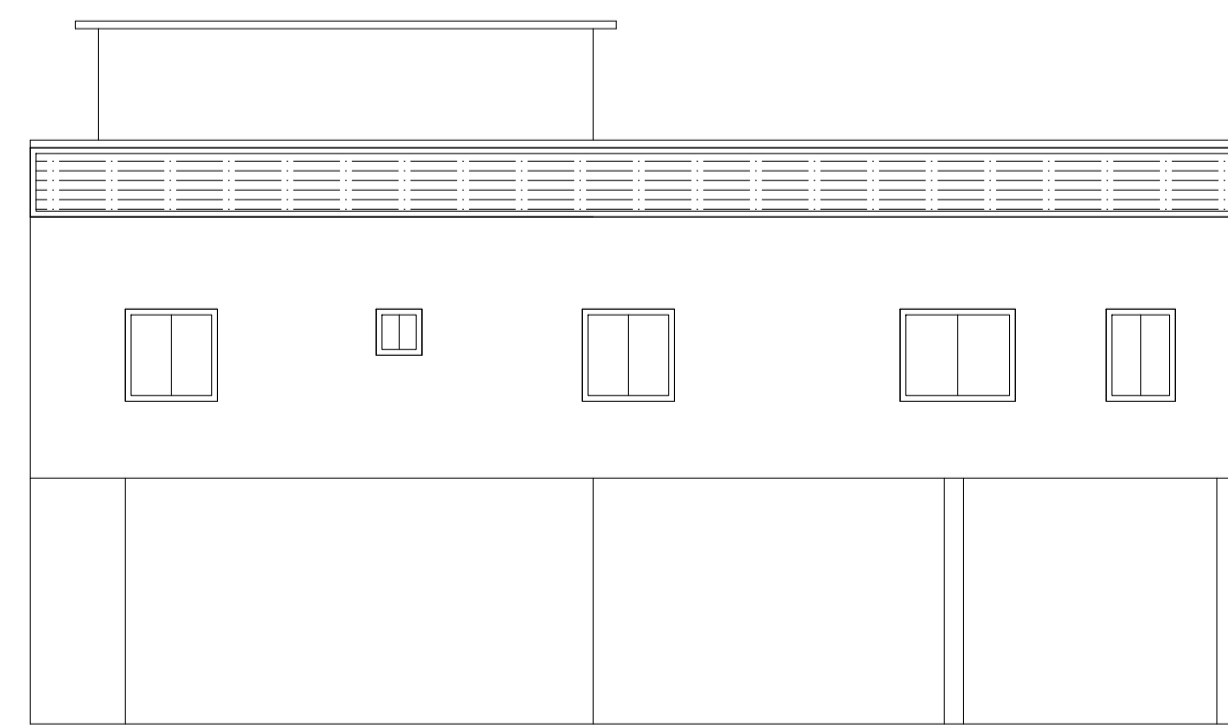
Septic Tank Detail



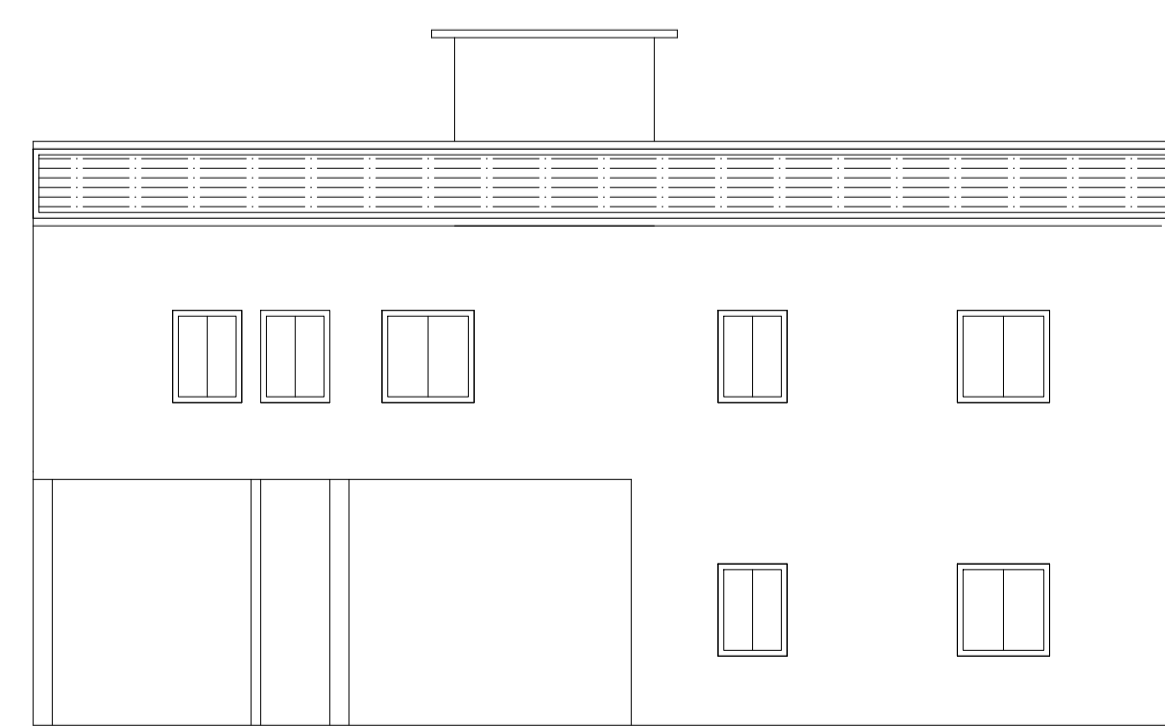
Structure Detail



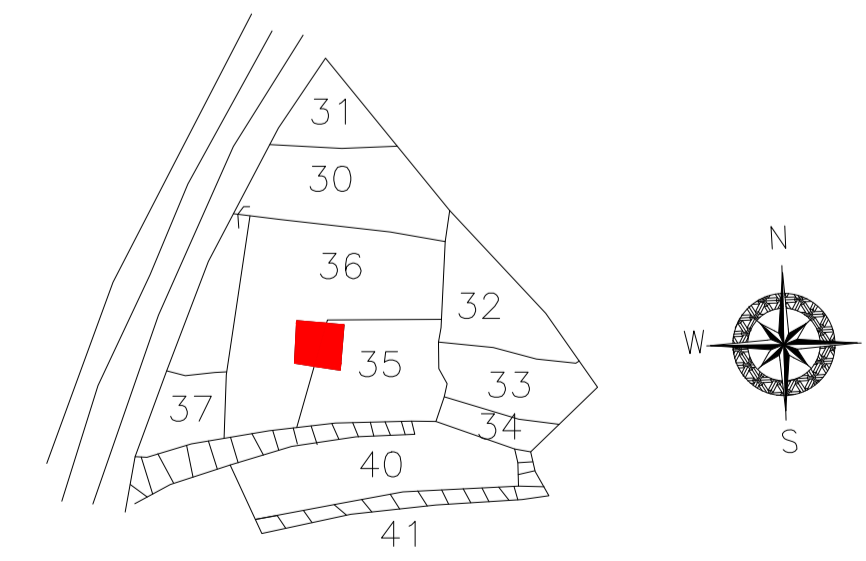
Roof Water Storage Tank Detail



FRONT SIDE ELEVATION



LEFT SIDE ELEVATION



KEY PLAN

Key Plan

LTP NAME AND SIGNATURE	STRUCTURAL ENG'S NAME AND SIGNATURE	BUILDER NAME AND SIGNATURE	DIGITAL SIGNATURE
ABHISHEK KUMAR MADA/DFTMN0014/2020			