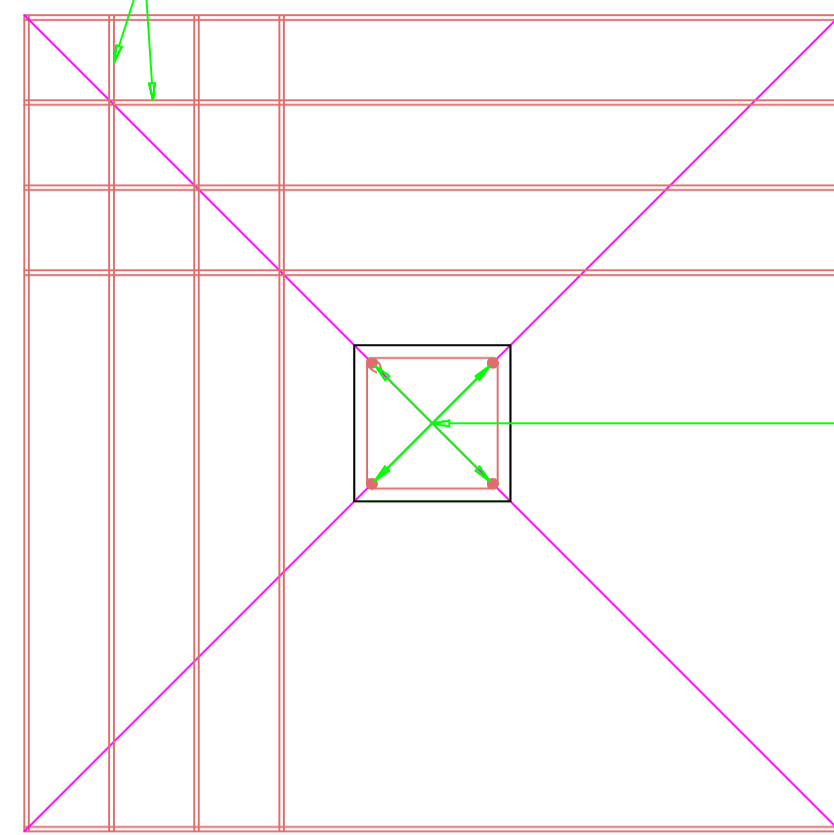
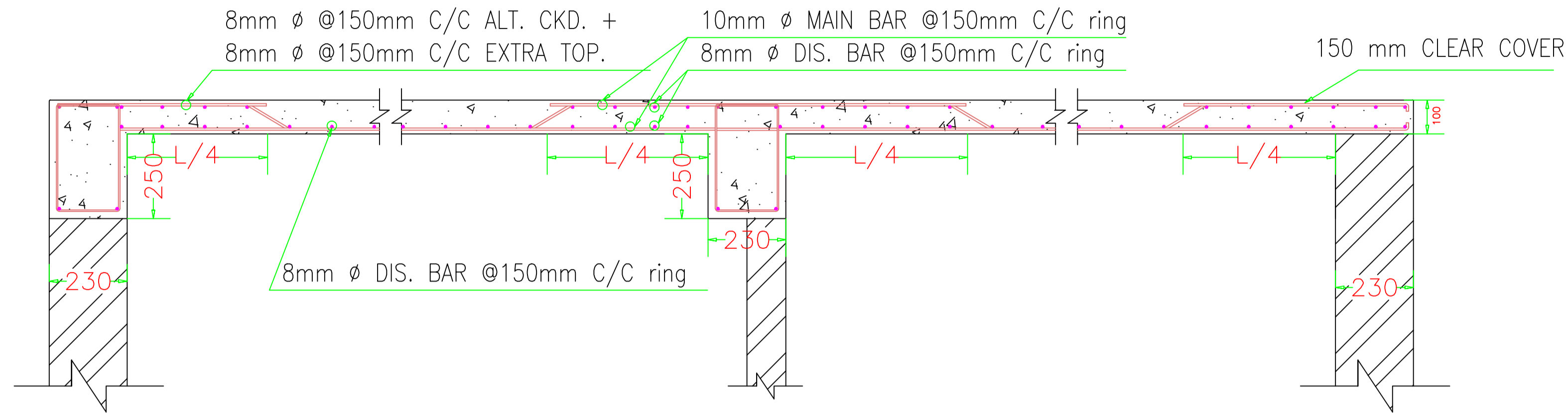


# STRUCTURAL DESIGN SAFETY DETAILS.

10mm  $\phi$  @125mm C/C BOTHWAY

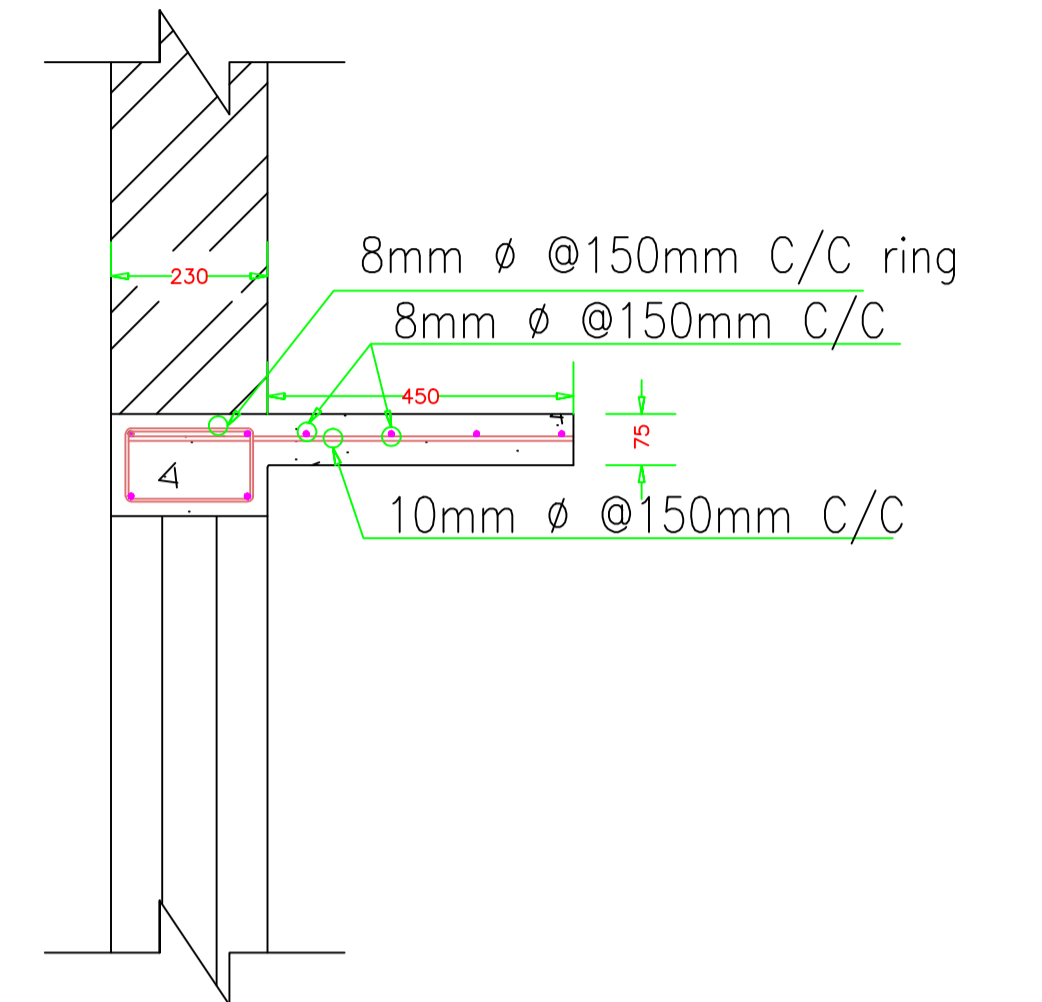


VERTICAL : 4 NOS. - 12 $\phi$   
RING : 8 $\phi$  @ 6" C/C



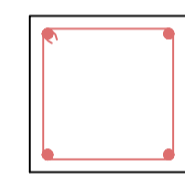
TYPICAL DET. OF R.C.C. SLAB

(Dim in mm)

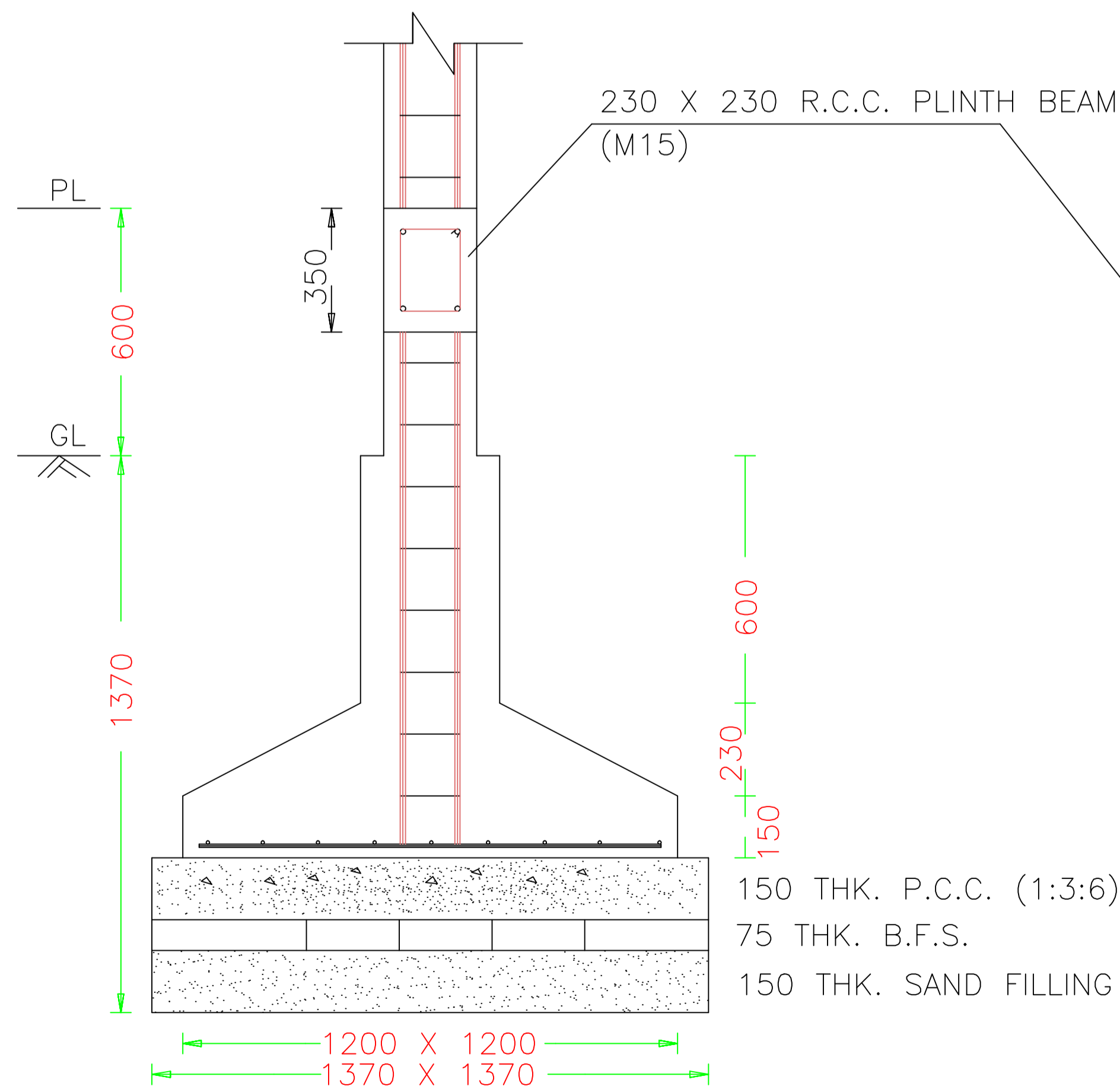


DET. OF R.C.C. CHAJJA

(Dim in mm)

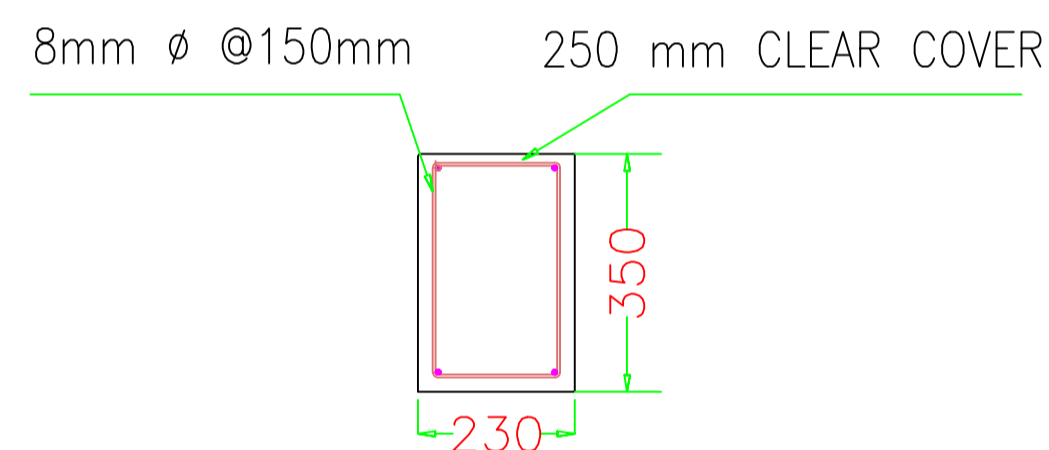


VERTICAL : 4 NOS. - 12 $\phi$   
RING : 8 $\phi$  @ 6" C/C



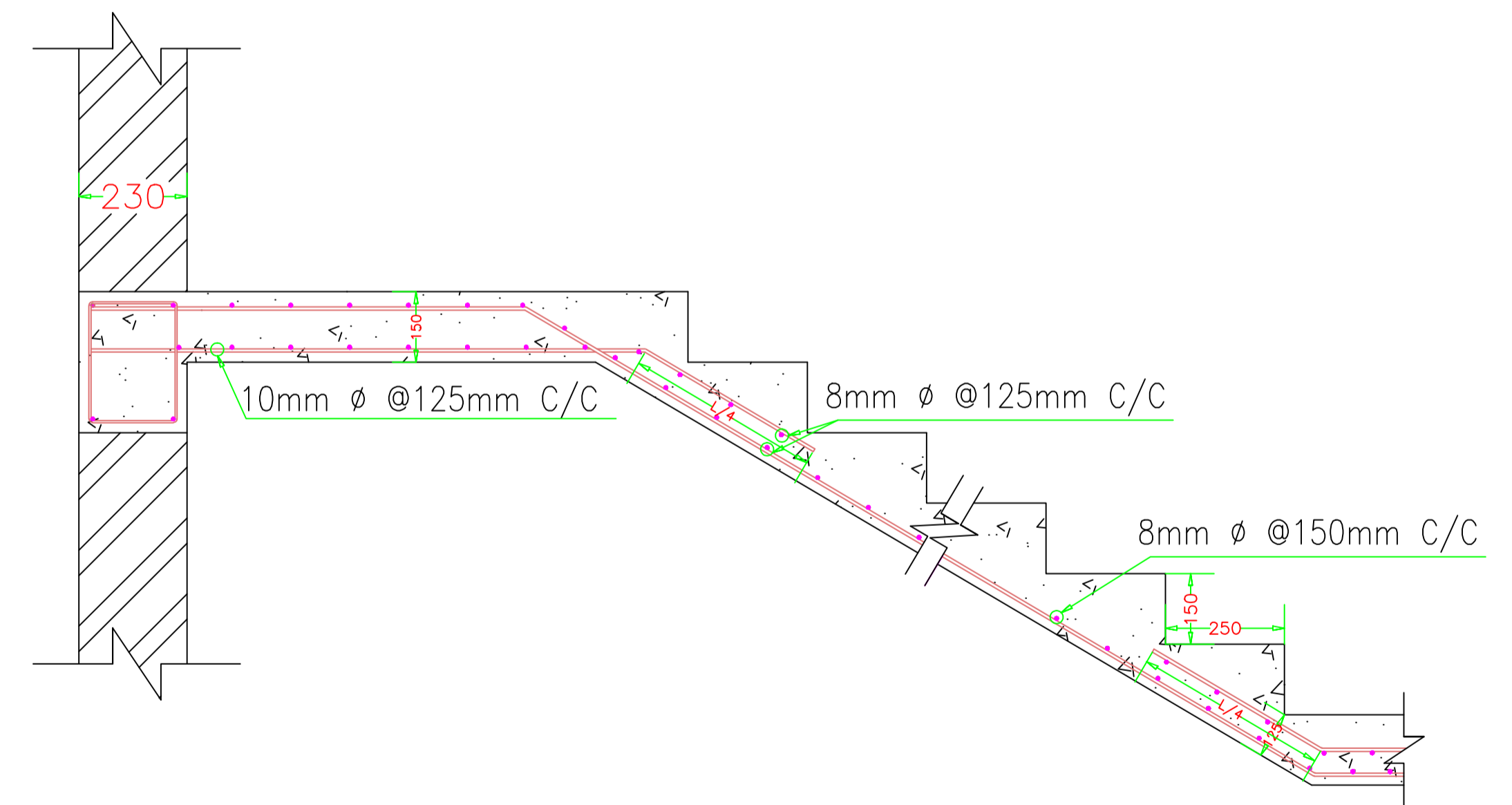
FOUNDATION DETAILS OF COLUMN

(Dim in mm)



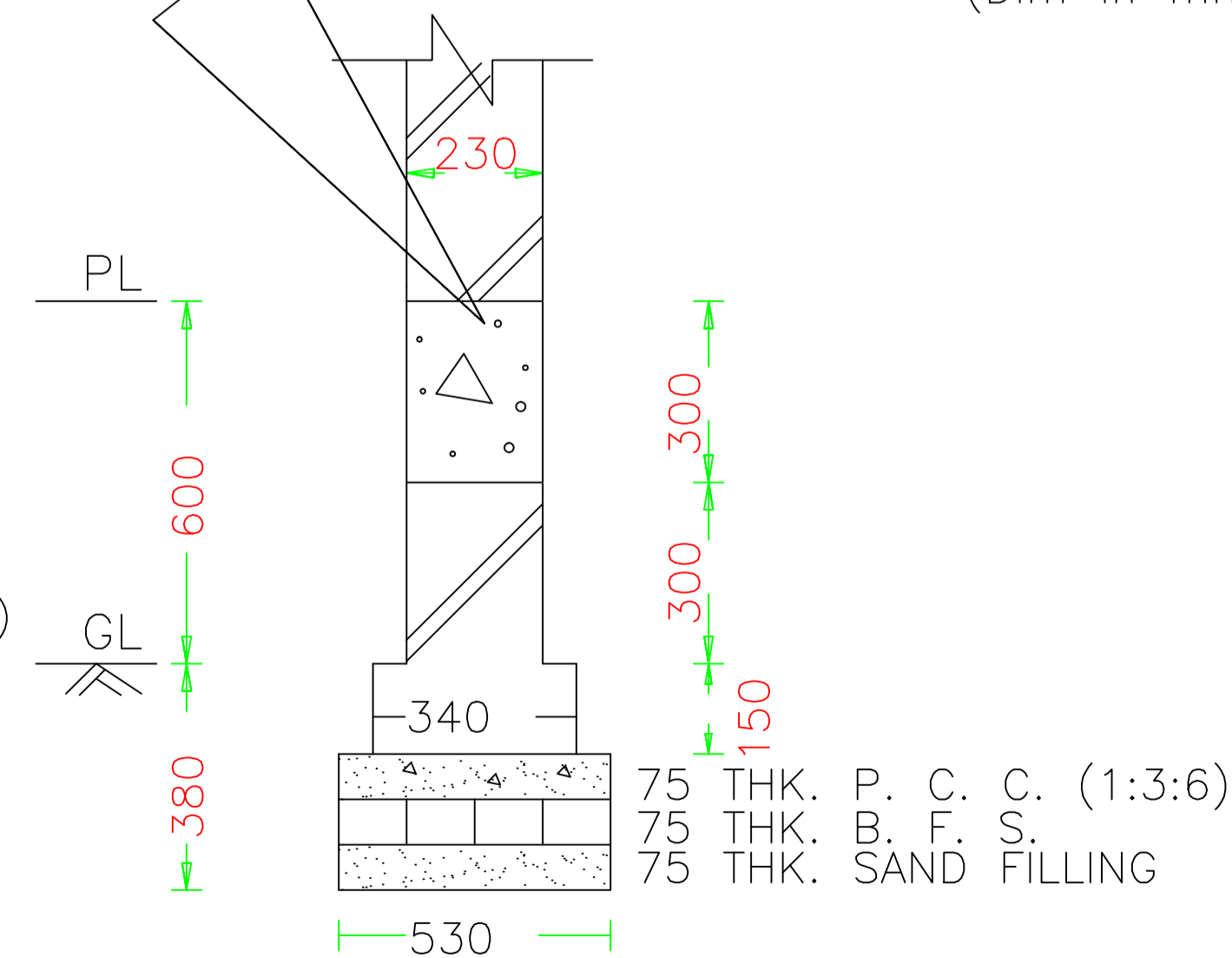
DET. OF R.C.C. BEAM

(Dim in mm)



DET. OF R.C.C. SRAIR

(Dim in mm)



FOUNDATION DETAILS OF WALL

(Dim in mm)

## TITLE OF DRAWING

DRAWING OF PROPOSED RESIDENTIAL BUILDING OF Mr. SANJOY CHOUHAN, w/o Sri. LALIT CHOUHAN, UNDER MOUZA:-SABALPUR, MOUZA NO-126, KHATA NO - 57 (N) 78 (O), PLOT NO -1415 (N) 1221 (O), P.S - GOVINDPUR, DIST-DHANBAD, IN THE STATE OF JHARKHAND.