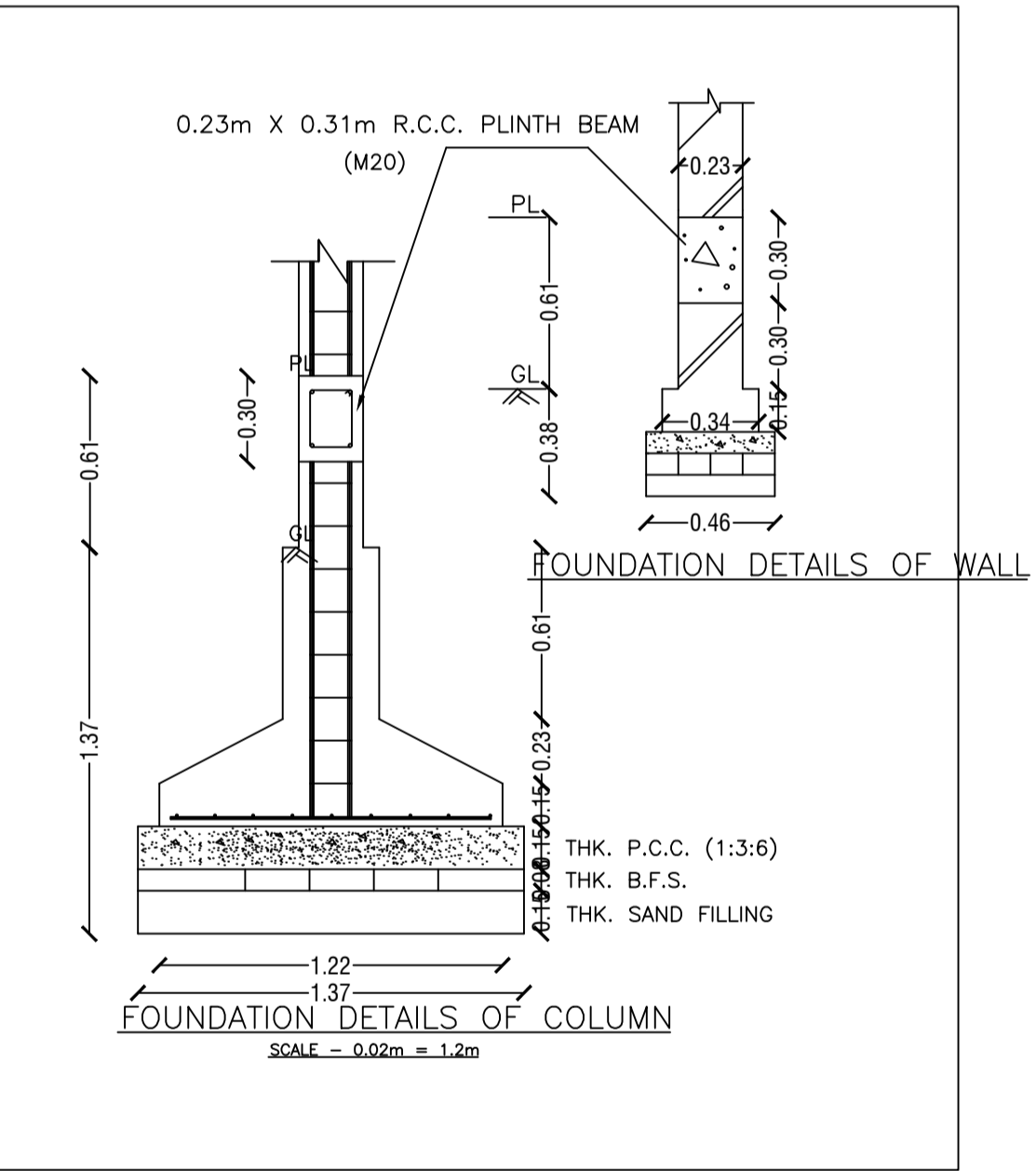
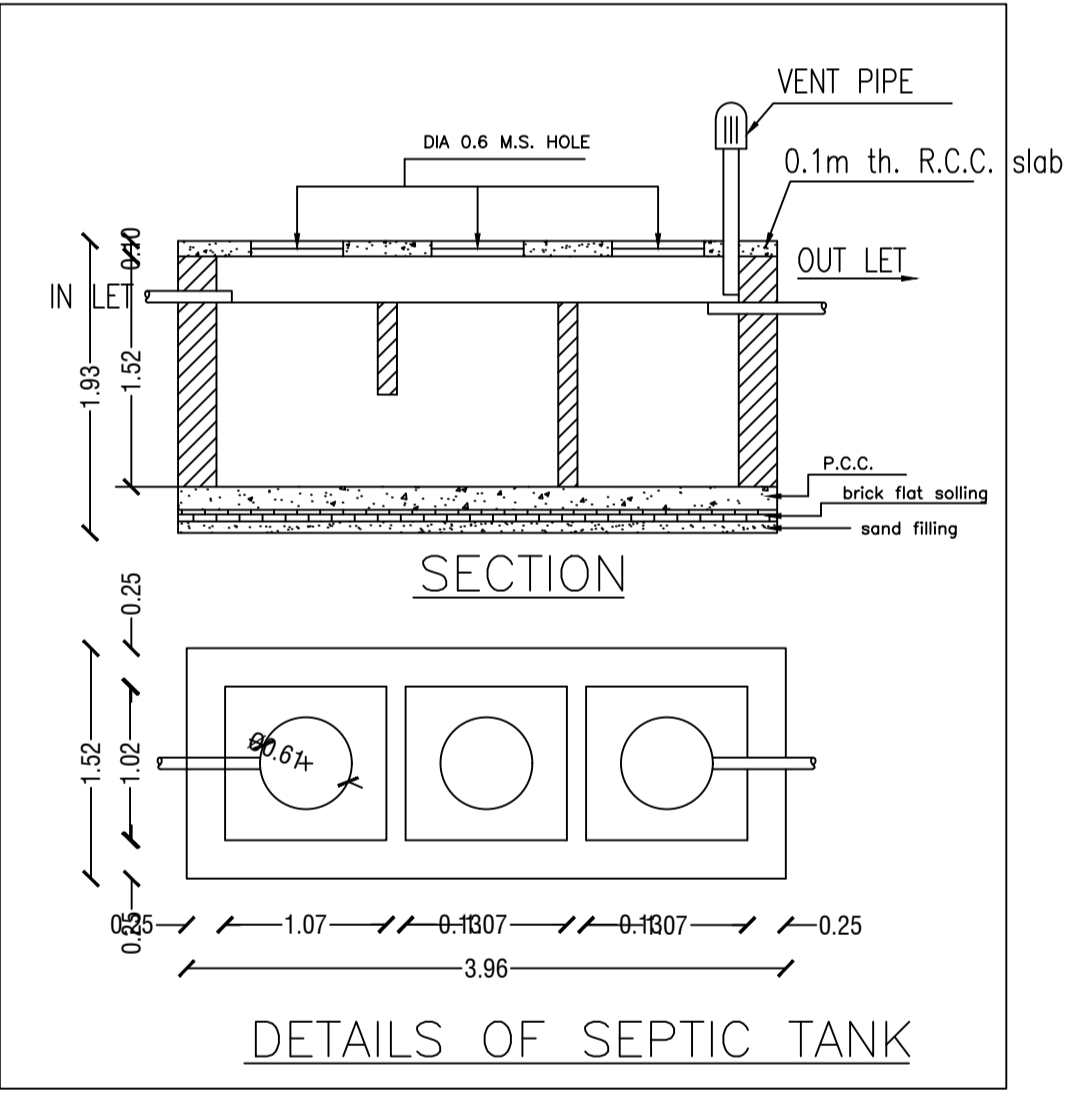
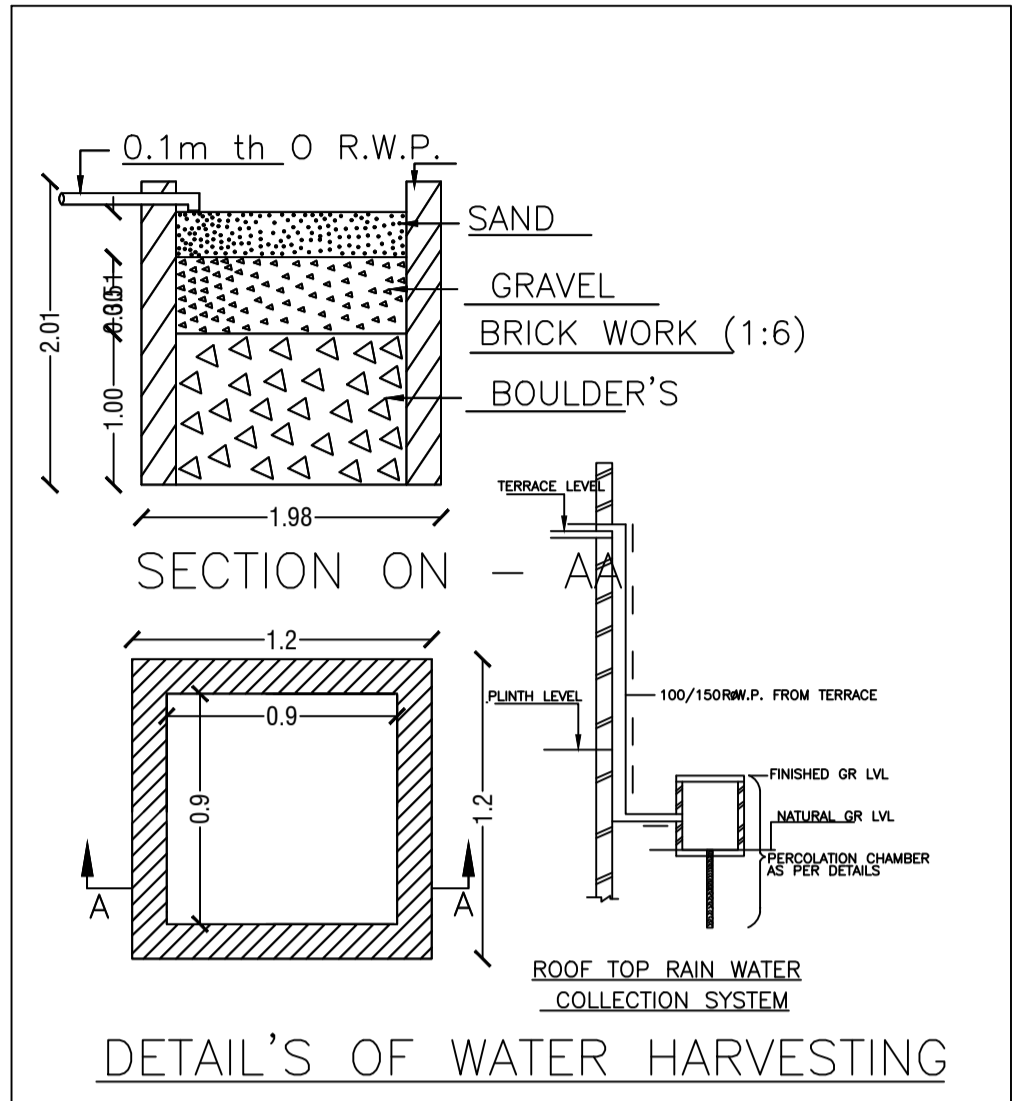
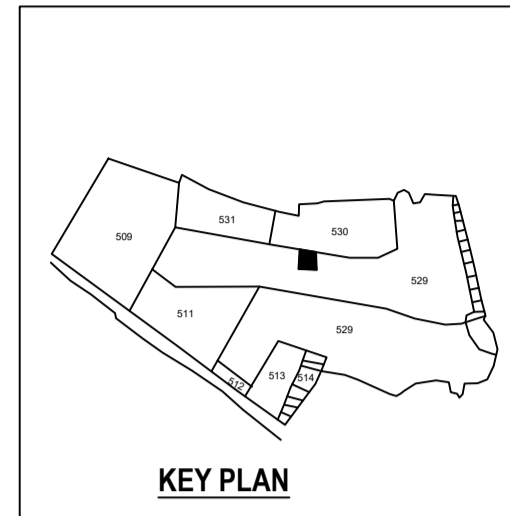
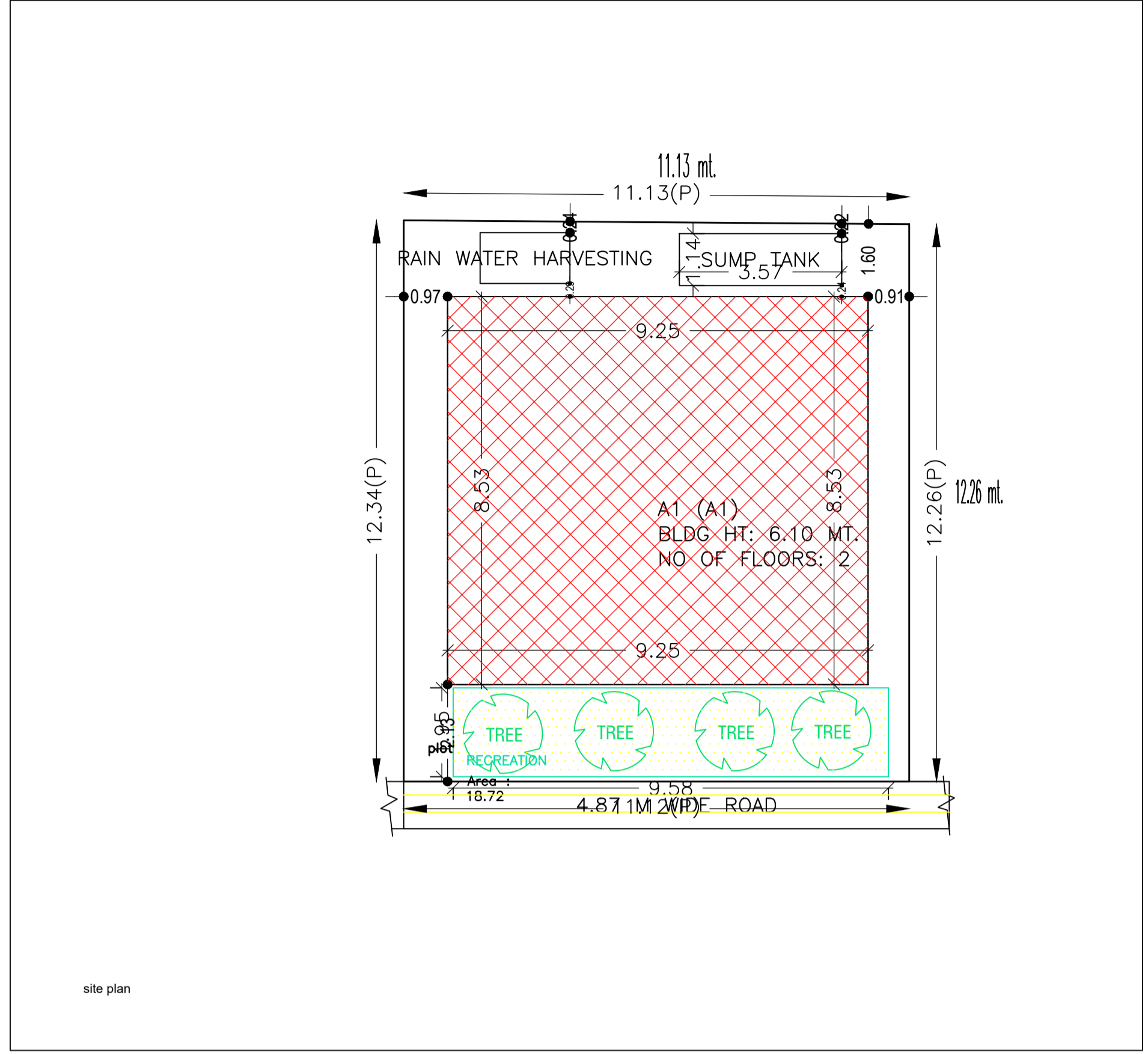
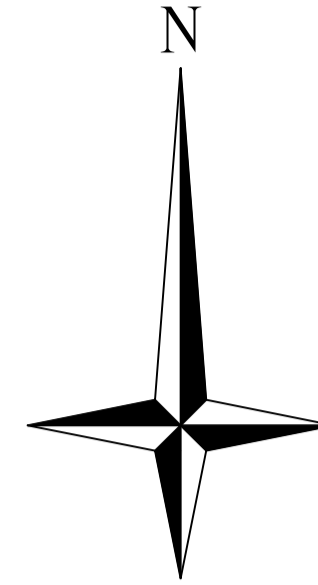


Proposal Basic Information	
Proposal File No.	MADA/BP/0027/2022
Owner Name	GAYATRI DEVI
Khata No	OLD - 17, NEW - 69
Plot No	OLD - 529, NEW - 622
Village Name	Sabalpur
Use	Residential
SubUse	Bungalow/ Dwelling / Non Apartment



AREA STATEMENT MINERAL AREA DEVELOPMENT AUTHORITY		VERSION NO.: 1.0.62
PROJECT DETAIL:		VERSION DATE: 16/10/2020
Region: JHARKHAND URBAN LOCAL BODIES	Plot Use: Residential	
District: DHANBAD	Plot SubUse: Bungalow/ Dwelling / Non Apartment	
Authority: MINERAL AREA DEVELOPMENT AUTHORITY	Plot/Nearby/Religious/Structure: NA	
Inward No: MADA/BP/0027/2022	Plot/SubPlot No: OLD - 529, NEW - 622	
Application Type: General Proposal	North: Plot No. - PLOT NO. 530	
Project Type: Building Permission	South: Road Width - 4.87	
Nature of Development: New	East: Plot No. - PART OF SAME PLOT NO. 529	
Location of Development Area: Old Area	West: Plot No. - PART OF SAME PLOT NO. 529	
AREA DETAILS:		SQ.MT.
AREA OF PLOT (Minimum)	(A)	136.86
NET AREA OF PLOT (Gross Plot Area - Deduction from Gross Plot area)	(A-Deductions)	136.86
Deduction for Balance Plot Area (from Gross Plot Area)		
Common Plot		18.72
Total		18.72
BALANCE AREA OF PLOT (Net Plot Area - Recreational/Amenity space)	(A-Deductions)	118.14
PLOT AREA FOR COVERAGE (Net Plot Area)	(A-Deductions)	136.86
Plot Area for FAR (Net Plot Area + Road Widening Area)	(A-Deductions)	136.86
COVERAGE CHECK		
Permissible Coverage area (70.00 %)		95.80
Proposed Coverage Area (57.69 %)		78.96
Total Prop. Coverage Area (57.69 %)		78.96
Balance coverage area (12.30 %)		16.84
FAR CHECK		
Perm. FAR Area (1.80)		246.35
Total Perm. FAR area		246.35
Residential FAR		154.63
Proposed FAR Area		154.63
Total Proposed FAR Area		154.63
Consumed FAR (Factor)		1.13
Balance FAR Area		91.72
BUILT UP AREA CHECK		
Total Proposed BuiltUp Area		156.77
ARCHITECT (Regd)		AMIT KUMAR
ENGINEER (Regd)		
SUPERVISOR (Regd)		
OWNER (Regd)		GAYATRI DEVI
DEVELOPMENT AUTHORITY		LOCAL BODY

COLOR INDEX	
PLOT BOUNDARY	Black
ABUTTING ROAD	Green
PROPOSED CONSTRUCTION	Red
COMMON PLOT	Yellow
ROAD WIDENING AREA	Blue
EXISTING (To be retained)	Orange
EXISTING (To be demolished)	Grey

Balcony Calculations Table

FLOOR	SIZE	AREA	TOTAL AREA
FIRST FLOOR PLAN	1.19 X 3.58 X 1 X 1	4.26	4.26
Total	-	-	4.26

SCHEDULE OF DOOR:

BUILDING NAME	NAME	LENGTH	HEIGHT	NOS
A1 (A1)	D	0.76	2.10	06
A1 (A1)	D	0.91	2.10	03
A1 (A1)	D	1.07	2.10	04

SCHEDULE OF WINDOW/VENTILATION:

BUILDING NAME	NAME	LENGTH	HEIGHT	NOS
A1 (A1)	W	0.80	1.20	01
A1 (A1)	W	0.87	1.20	01
A1 (A1)	W	1.03	1.20	01
A1 (A1)	W	1.42	1.20	01
A1 (A1)	W	1.46	1.20	01
A1 (A1)	W	1.78	1.20	01
A1 (A1)	W	2.24	1.20	01
A1 (A1)	W	2.40	1.20	01
A1 (A1)	W	2.81	1.20	01
A1 (A1)	W	3.83	1.20	01

UnitBUA Table for Building :A1 (A1)

FLOOR	Name	UnitBUA Type	UnitBUA Area	Carpet Area	No. of Rooms	No. of Tenement
GROUND FLOOR PLAN	SPLIT1	FLAT	156.77	152.45	7	1
FIRST FLOOR PLAN	SPLIT1	FLAT	0.00	0.00	6	0
Total	-	-	156.77	152.45	13	1

FAR & Tenement Details (Table 4c-1)

Building	No. of Same Bldg	Total Built Up Area (Sq.mt.)	Deductions (Area in Sq.mt.)	Proposed FAR Area (Sq.mt.)	Total FAR Area (Sq.mt.)	Total Consumed Additional FAR Area (Sq.mt.)	Trmt (No.)
A1 (A1)	1	156.77	2.13	154.64	154.64	154.64	01
Grand Total:	1	156.77	2.13	154.64	154.64	154.64	01

Buildingwise Floor FAR Details

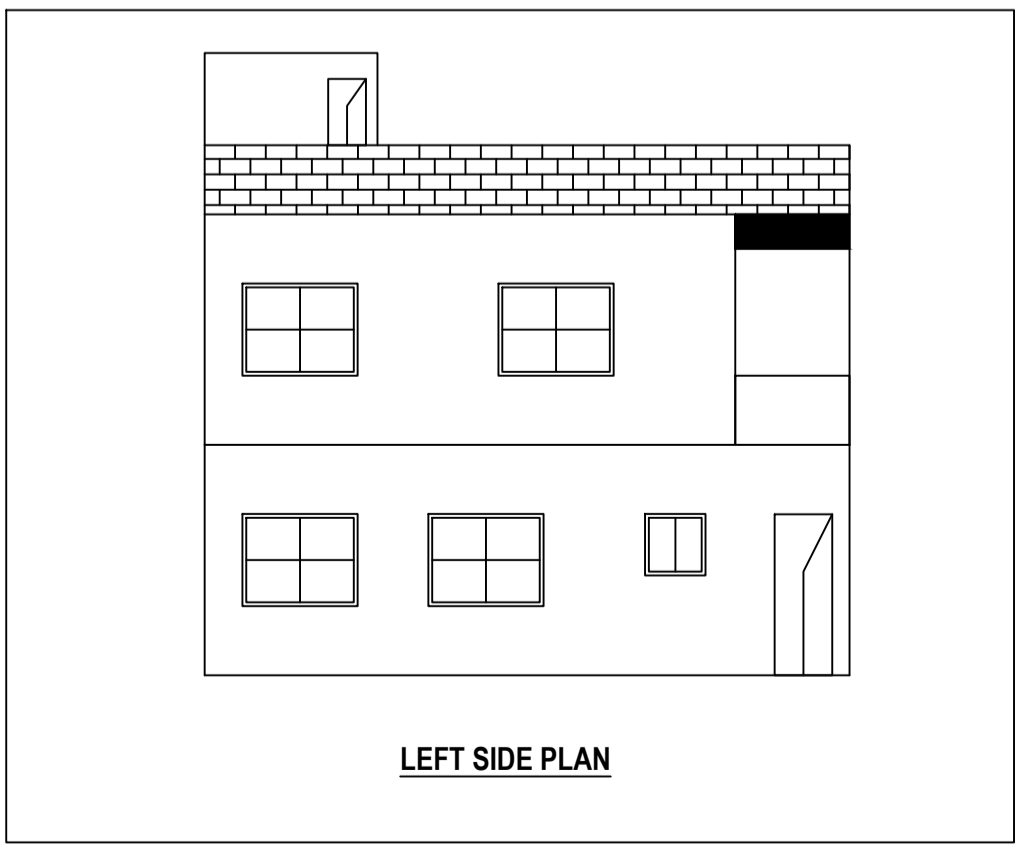
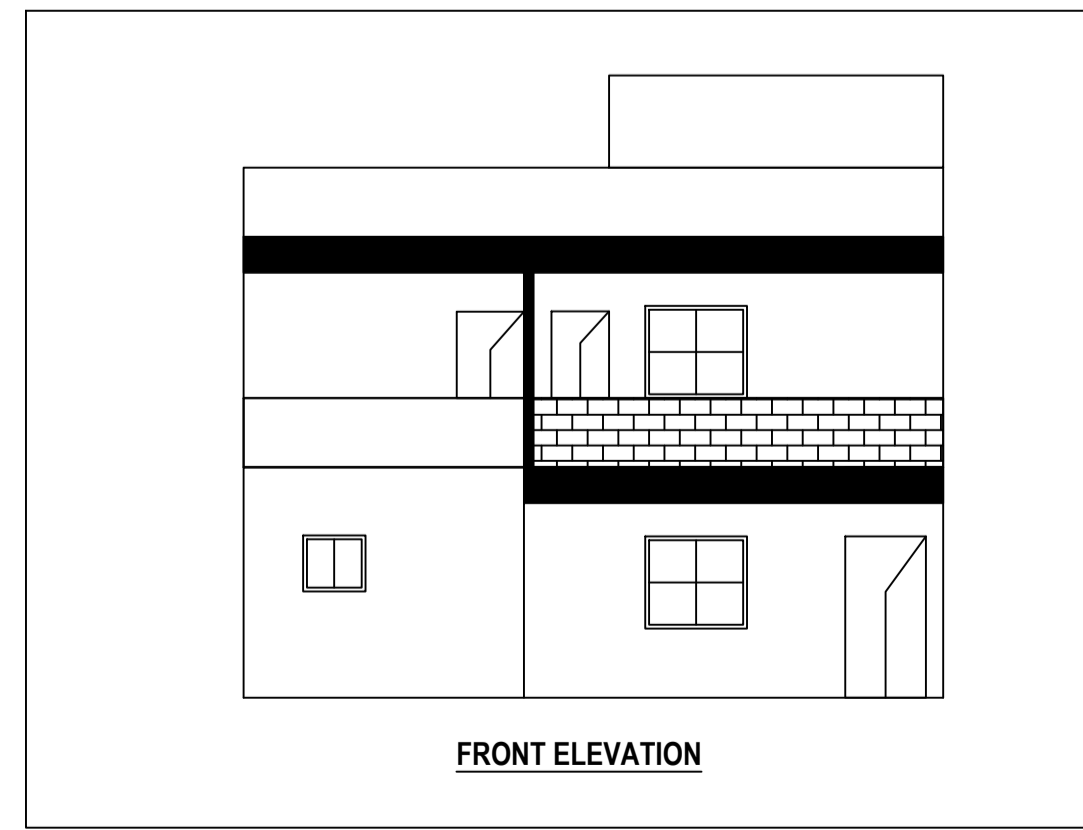
Floor Name	Building Name		Total	
	Proposed Built Up Area (Sq.mt.)	Proposed FAR Area (Sq.mt.)	Total Proposed Built Up Area (Sq.mt.)	Total FAR Area (Sq.mt.)
Ground Floor	78.96	78.96	78.96	78.96
First Floor	77.81	75.68	77.81	75.68
Terrace Floor	0.00	0.00	0.00	0.00
Total:	156.77	154.64	156.77	154.64

Building USE/SUBUSE Details

Building Name	Building Use	Building SubUse	Building Structure
A1 (A1)	Residential	Bungalow/ Dwelling / Non Apartment	Non-Highrise

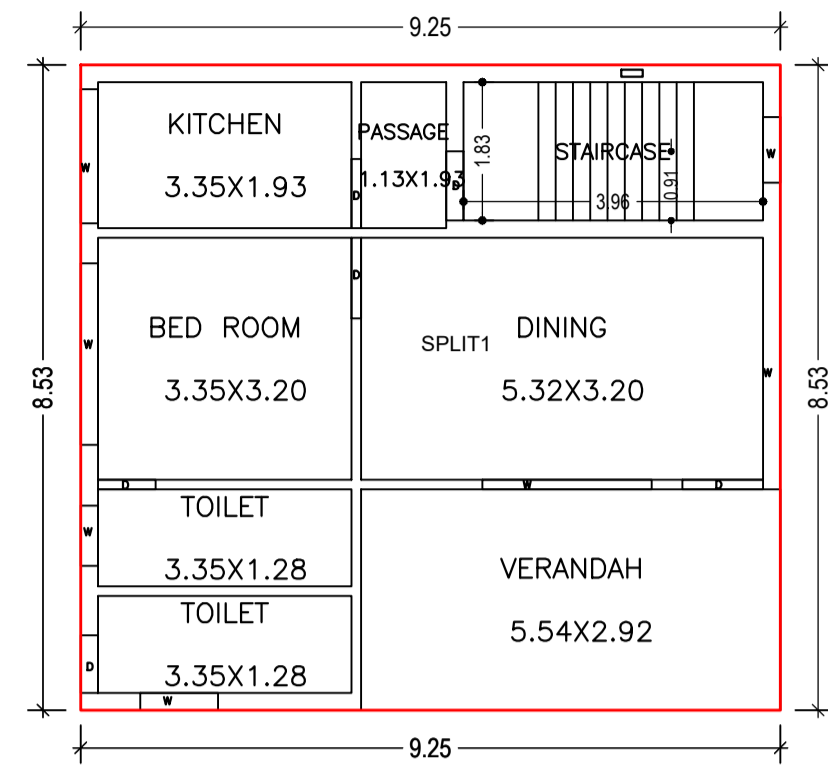
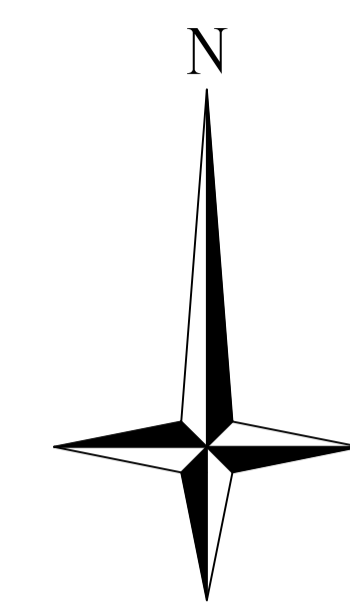
Building :A1 (A1)

Floor Name	Total Built Up Area (Sq.mt.)	Deductions (Area in Sq.mt.)	Proposed FAR Area (Sq.mt.)	Total FAR Area (Sq.mt.)	Total Consumed Additional FAR Area (Sq.mt.)	Trmt (No.)
Ground Floor	78.96	0.00	78.96	78.96	78.96	01
First Floor	77.81	2.13	75.68	75.68	75.68	00
Terrace Floor	0.00	0.00	0.00	0.00	0.00	00
Total:	156.77	2.13	154.64	154.64	154.64	01
Total Number of Same Buildings:	1	-	-	-	-	-
Total:	156.77	2.13	154.64	154.64	154.64	01

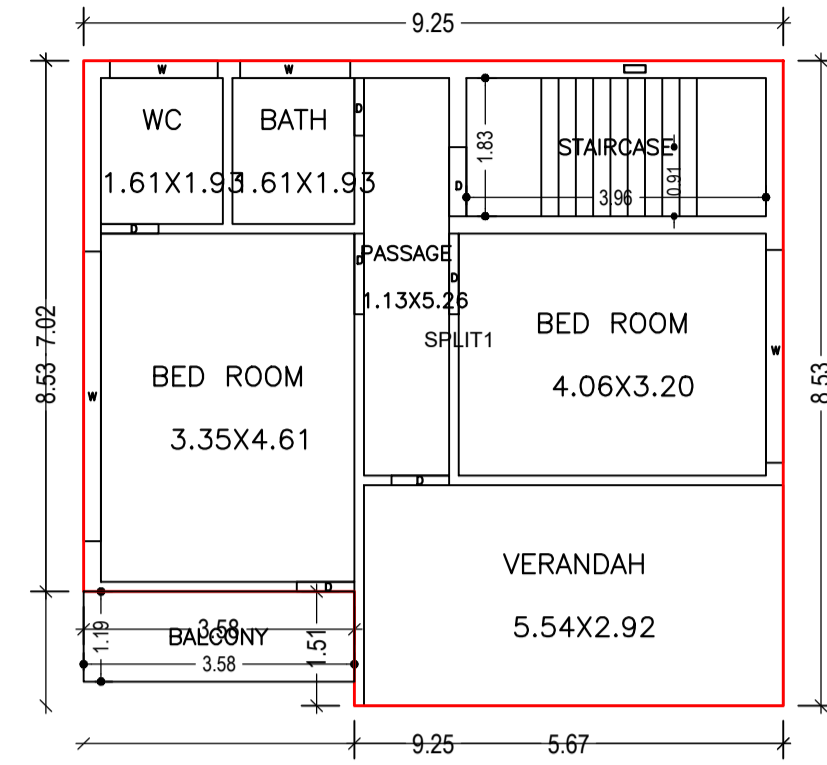


LTP NAME AND SIGNATURE	STRUCTURAL ENG'S NAME AND SIGNATURE	BUILDER NAME AND SIGNATURE	DIGITAL SIGNATURE
AMIT KUMAR MADA/ENG/0008/2021			

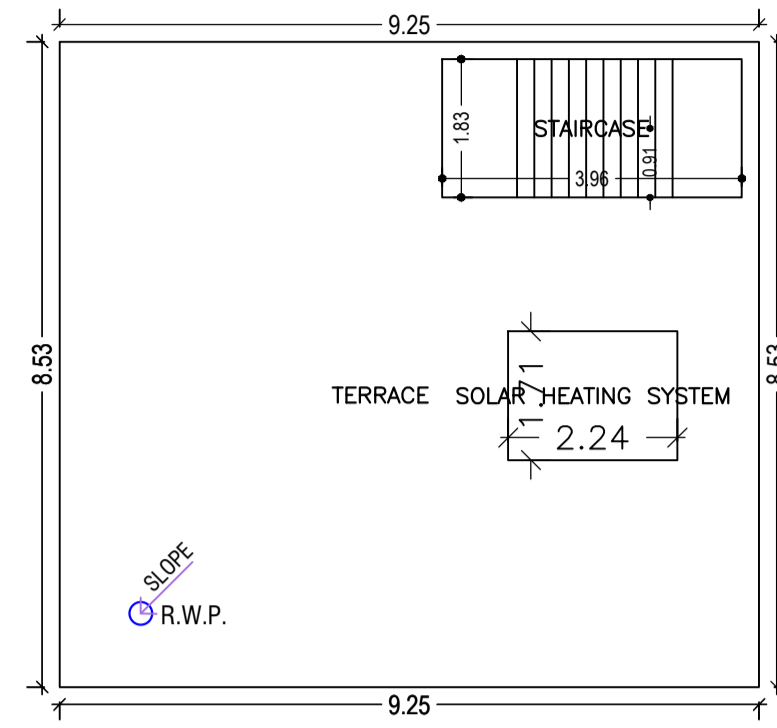
Proposal Basic Information	
Proposal File No.	MADA/BP/0027/2022
Owner Name	GAYATRI DEVI
Khata No	OLD - 17, NEW - 69
Plot No	OLD - 529, NEW - 622
Village Name	Sabalpur
Use	Residential
SubUse	Bungalow/ Dwelling / Non Apartment



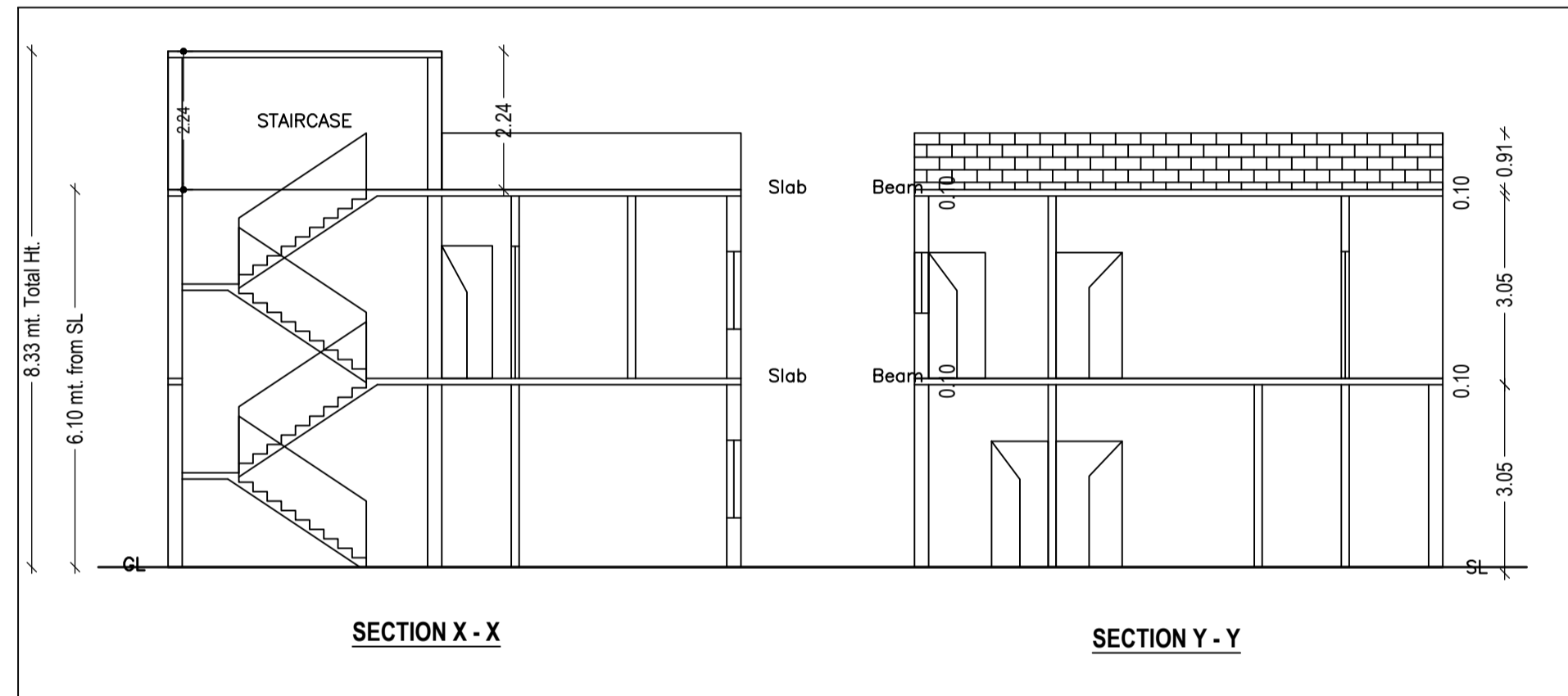
GROUND FLOOR PLAN
(Proposed)
(SCALE 1:100)



FIRST FLOOR PLAN
(Proposed)
(SCALE 1:100)

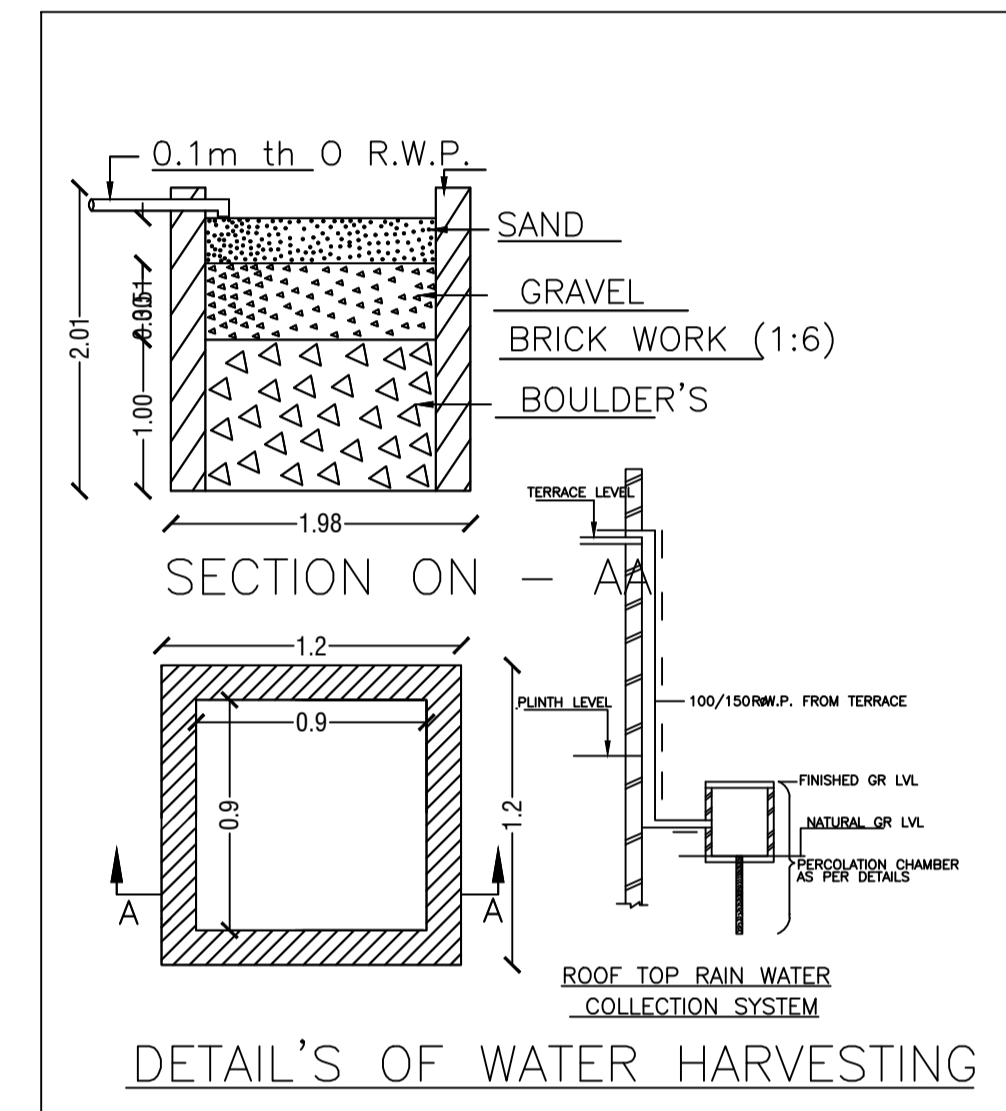


TERRACE FLOOR PLAN
(SCALE 1:100)

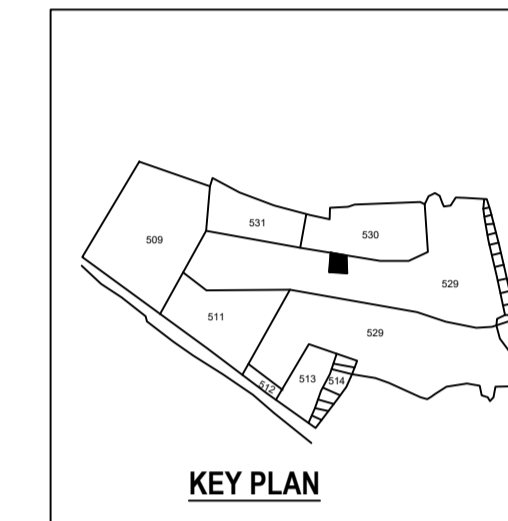


SECTION X - X

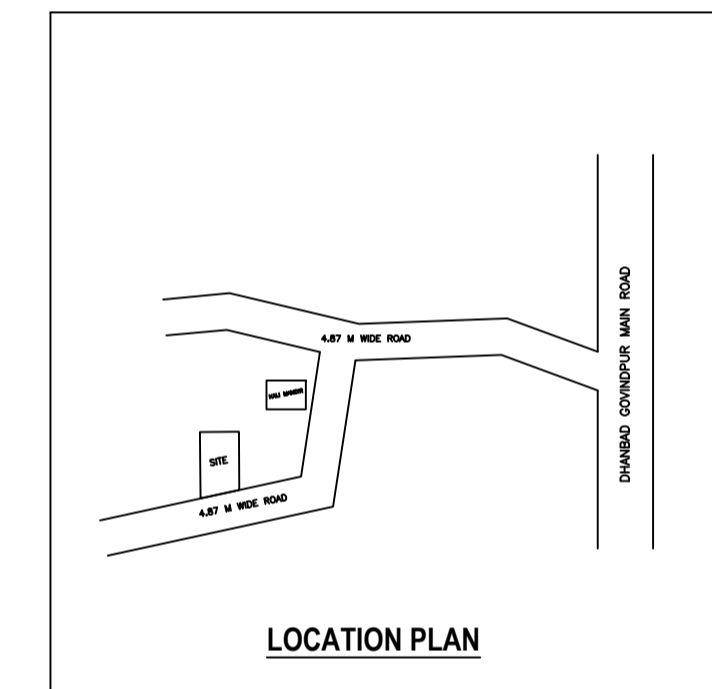
SECTION Y - Y



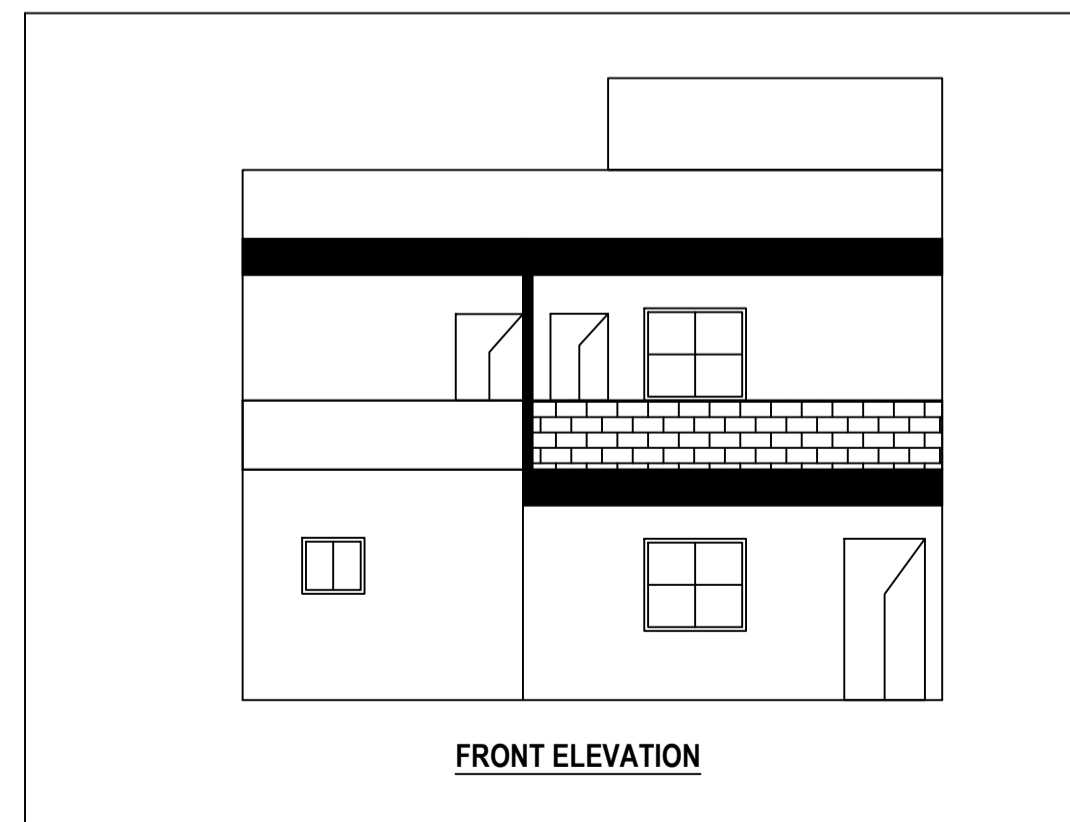
DETAIL'S OF WATER HARVESTING



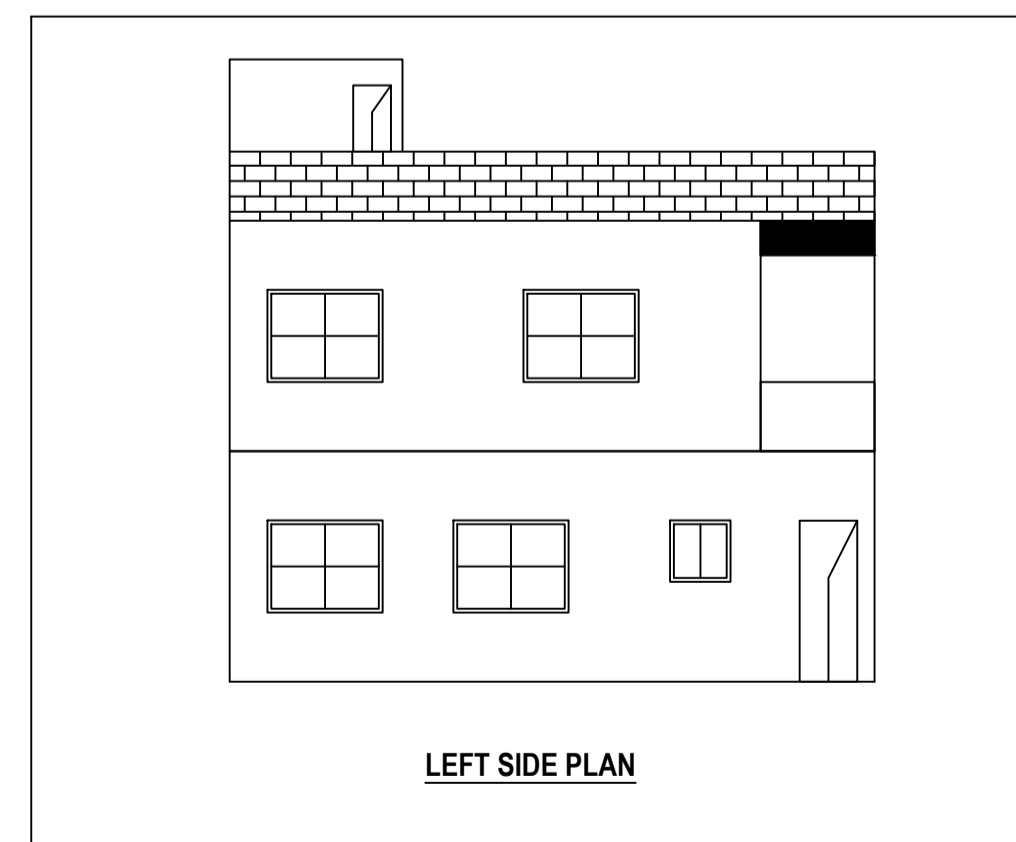
KEY PLAN



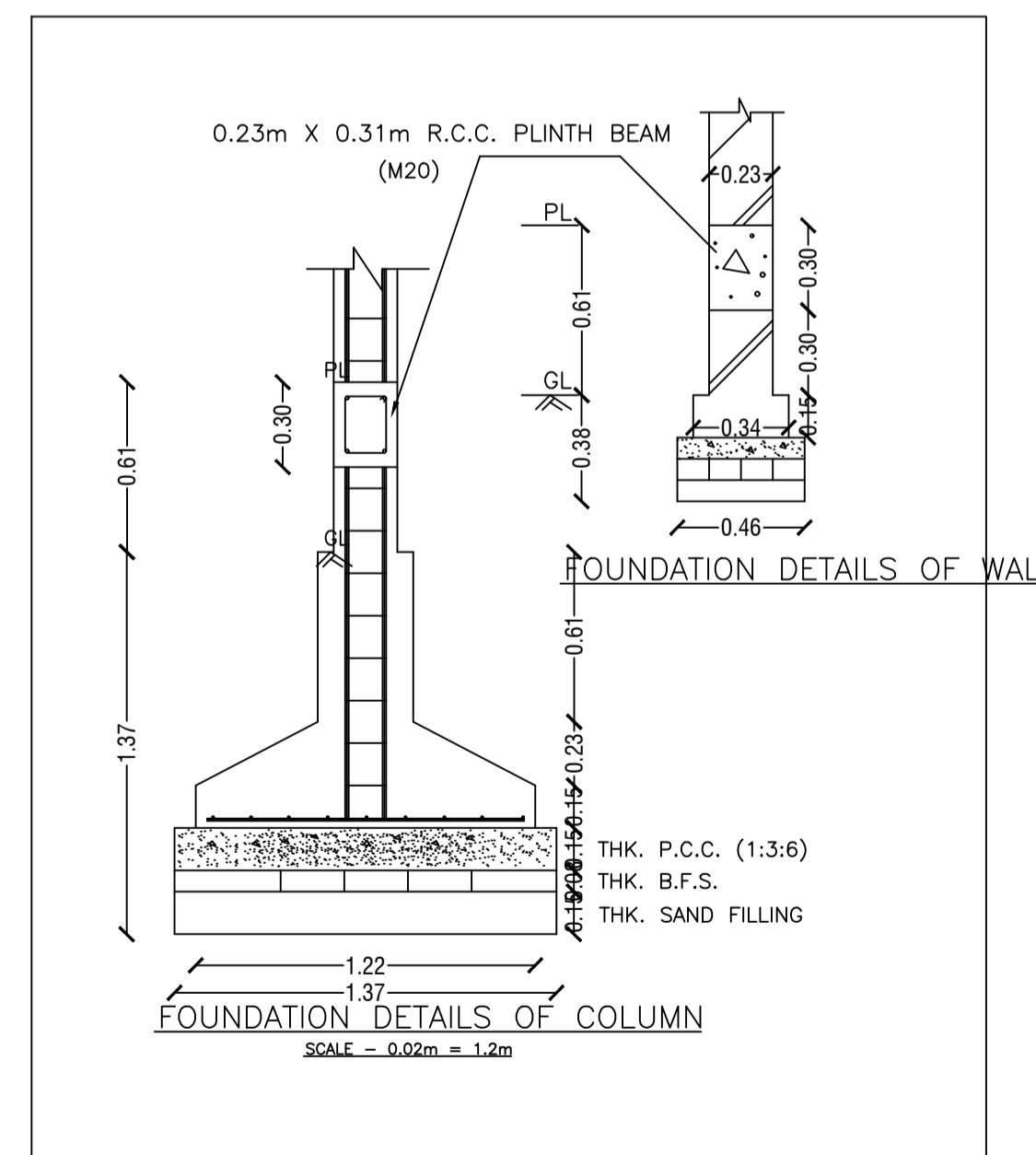
LOCATION PLAN



FRONT ELEVATION

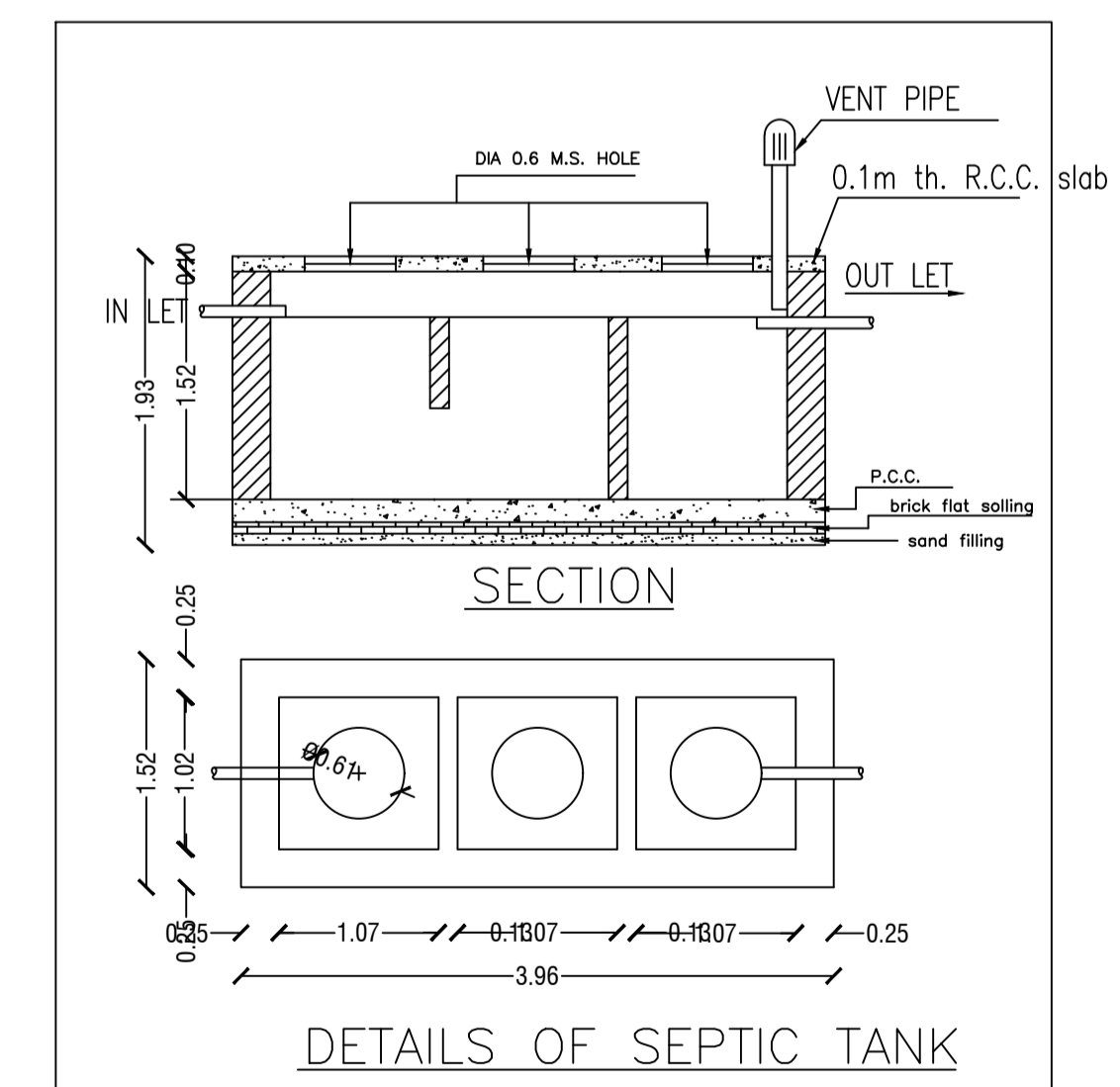


LEFT SIDE PLAN



FOUNDATION DETAILS OF COLUMN

FOUNDATION DETAILS OF WALL



DETAILS OF SEPTIC TANK

LTP NAME AND SIGNATURE	STRUCTURAL ENG'S NAME AND SIGNATURE	BUILDER NAME AND SIGNATURE	DIGITAL SIGNATURE
AMIT KUMAR MADA/ENG/0008/2021			