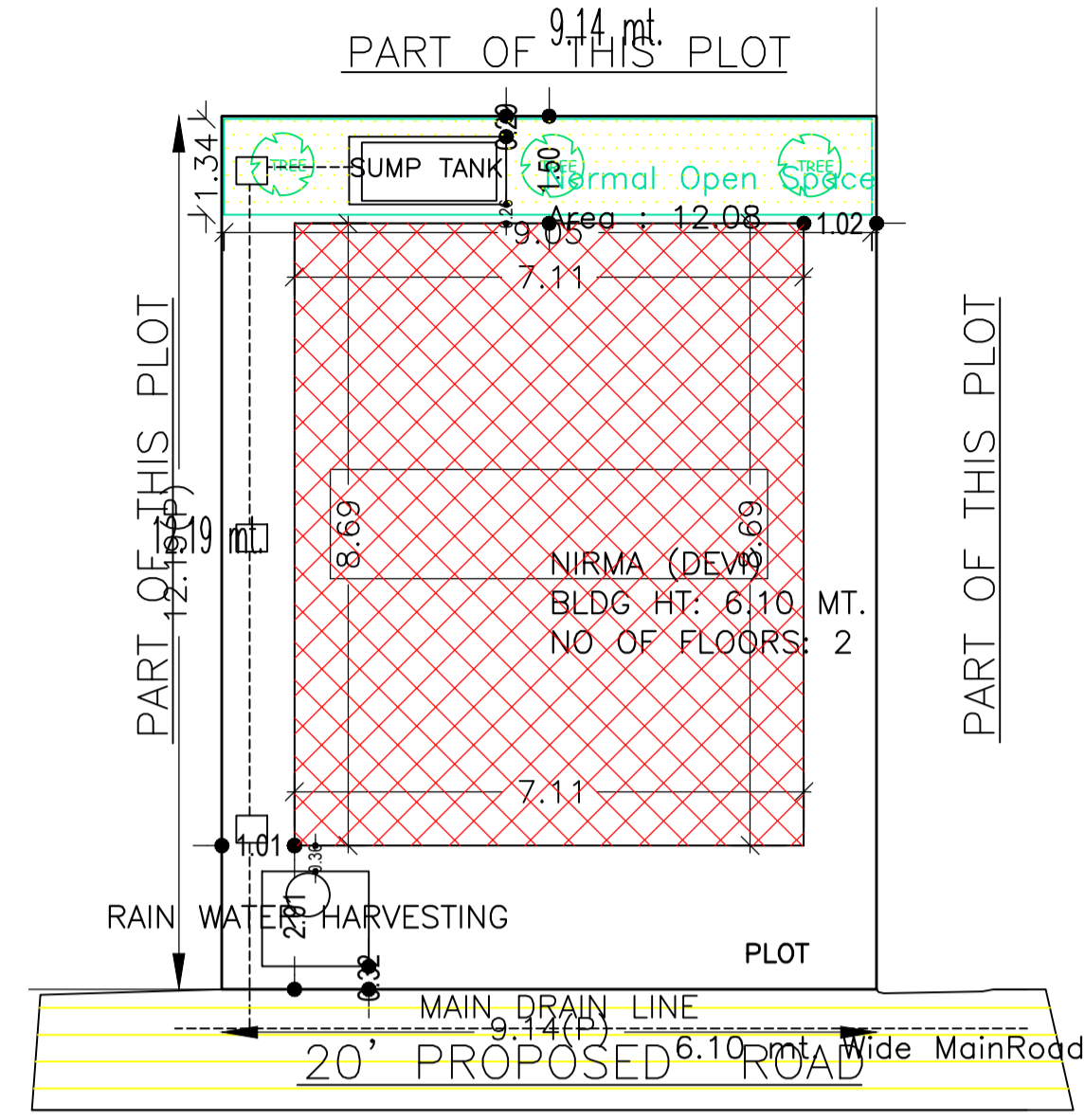
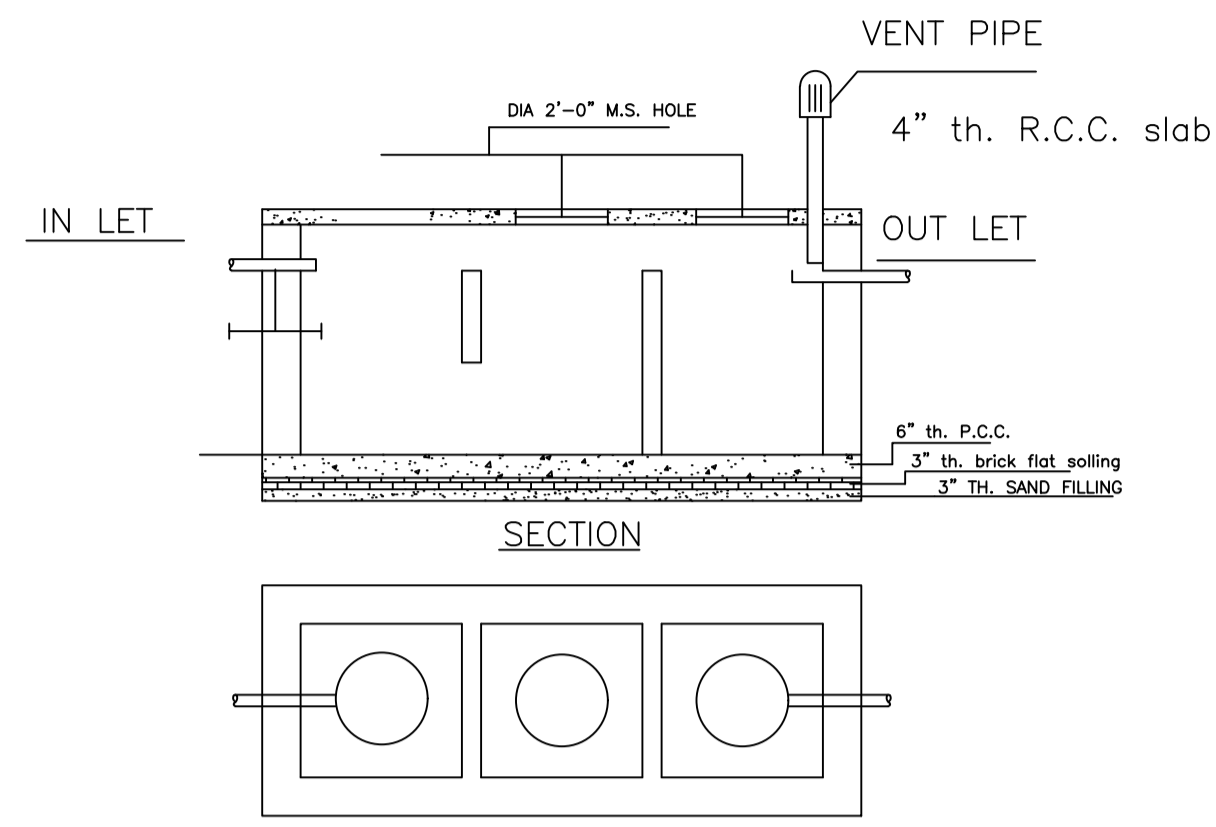


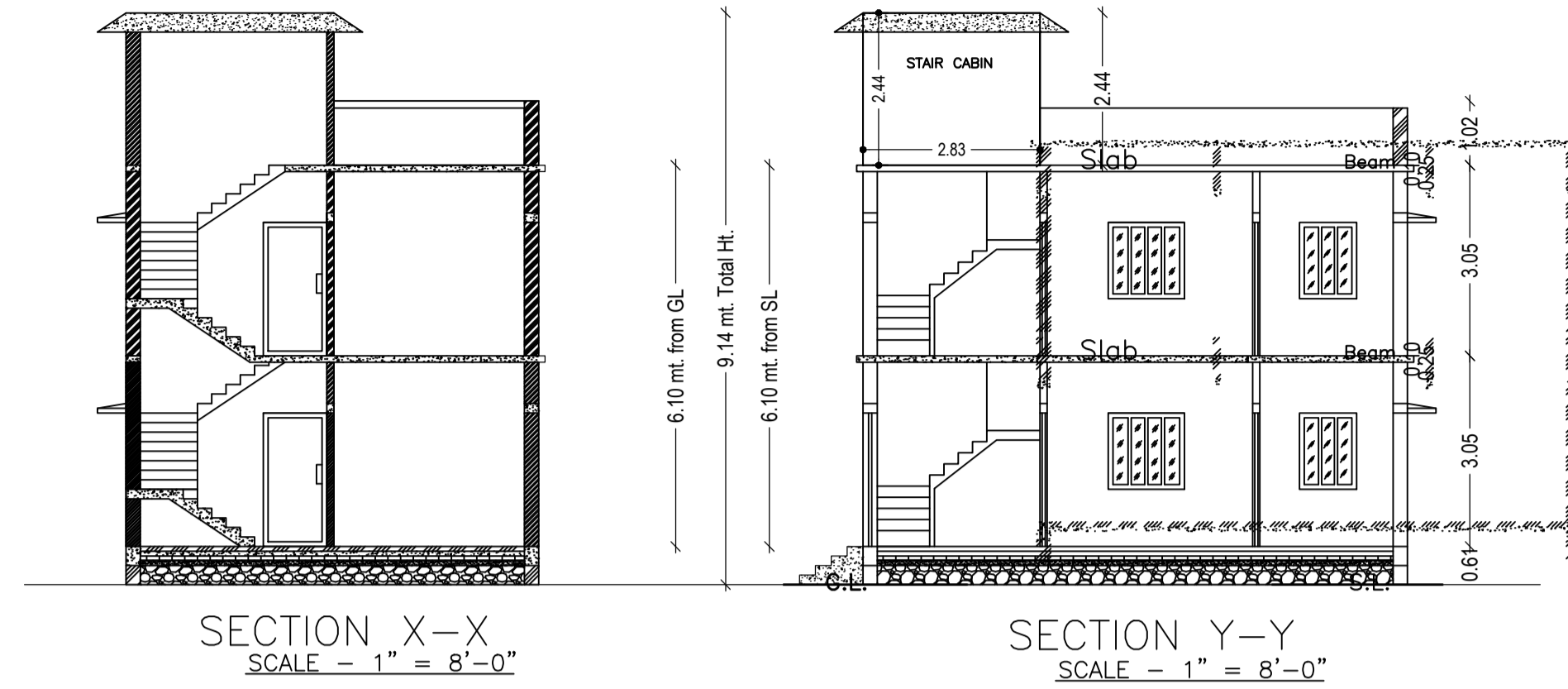
Proposal Basic Information	
Proposal File No.	MADA/BP/0154/2022
Owner Name	SMT. NIRMA DEVI
Khata No	OLD KHATA NO- 25, NEW KHATA NO-35
Plot No	OLD PLOT NO-2537, NEW PLOT NO-3901
Village Name	Bara Pichri
Use	Residential
SubUse	Bungalow/ Dwelling / Non Apartment



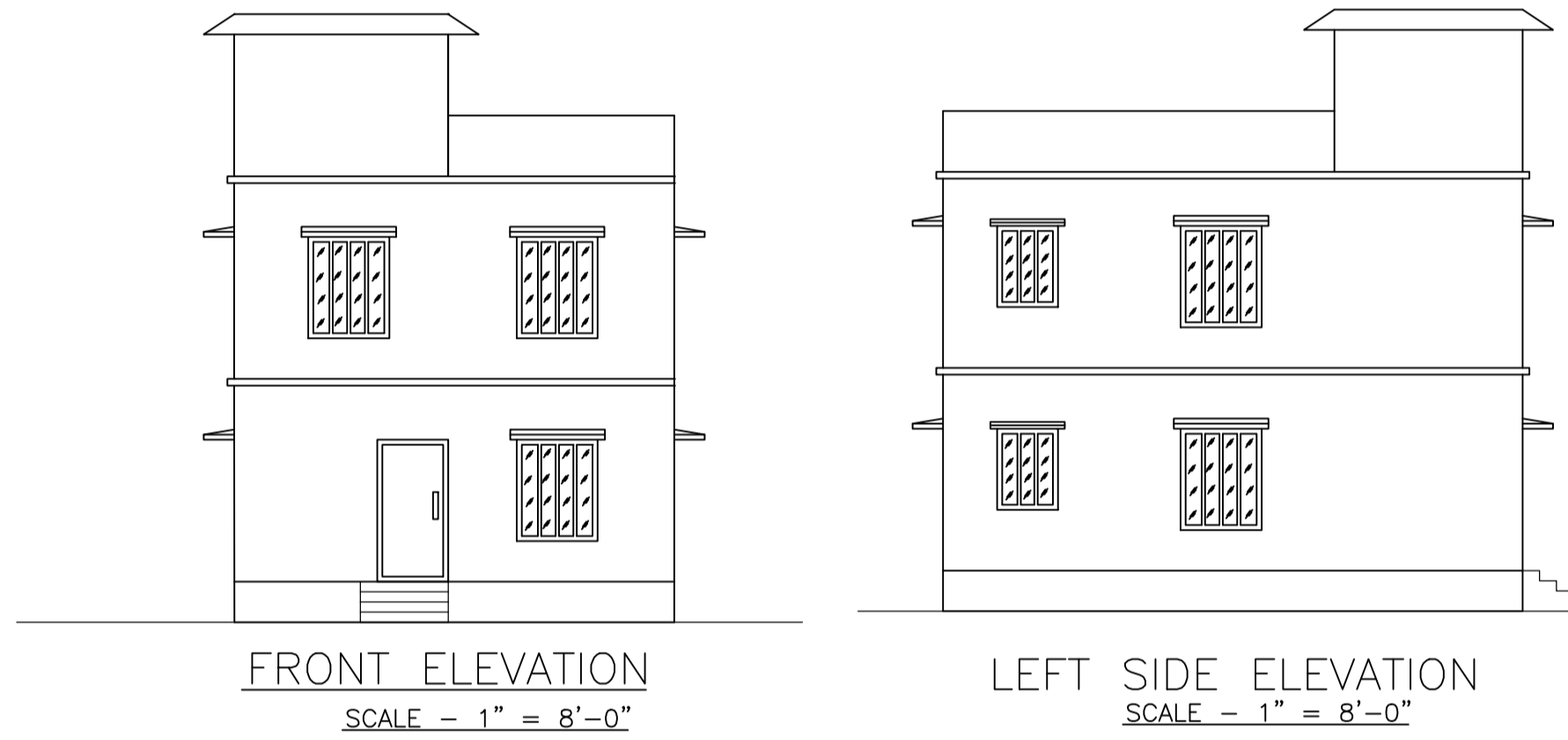
SITE PLAN
SCALE - 1" = 16'-0"
SITE PLAN



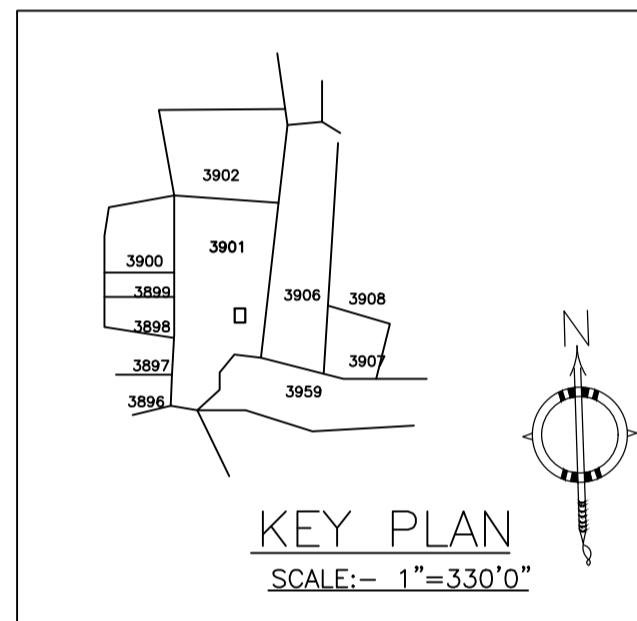
DETAILS OF SEPTIC TANK
SCALE - 1" = 4'-0"



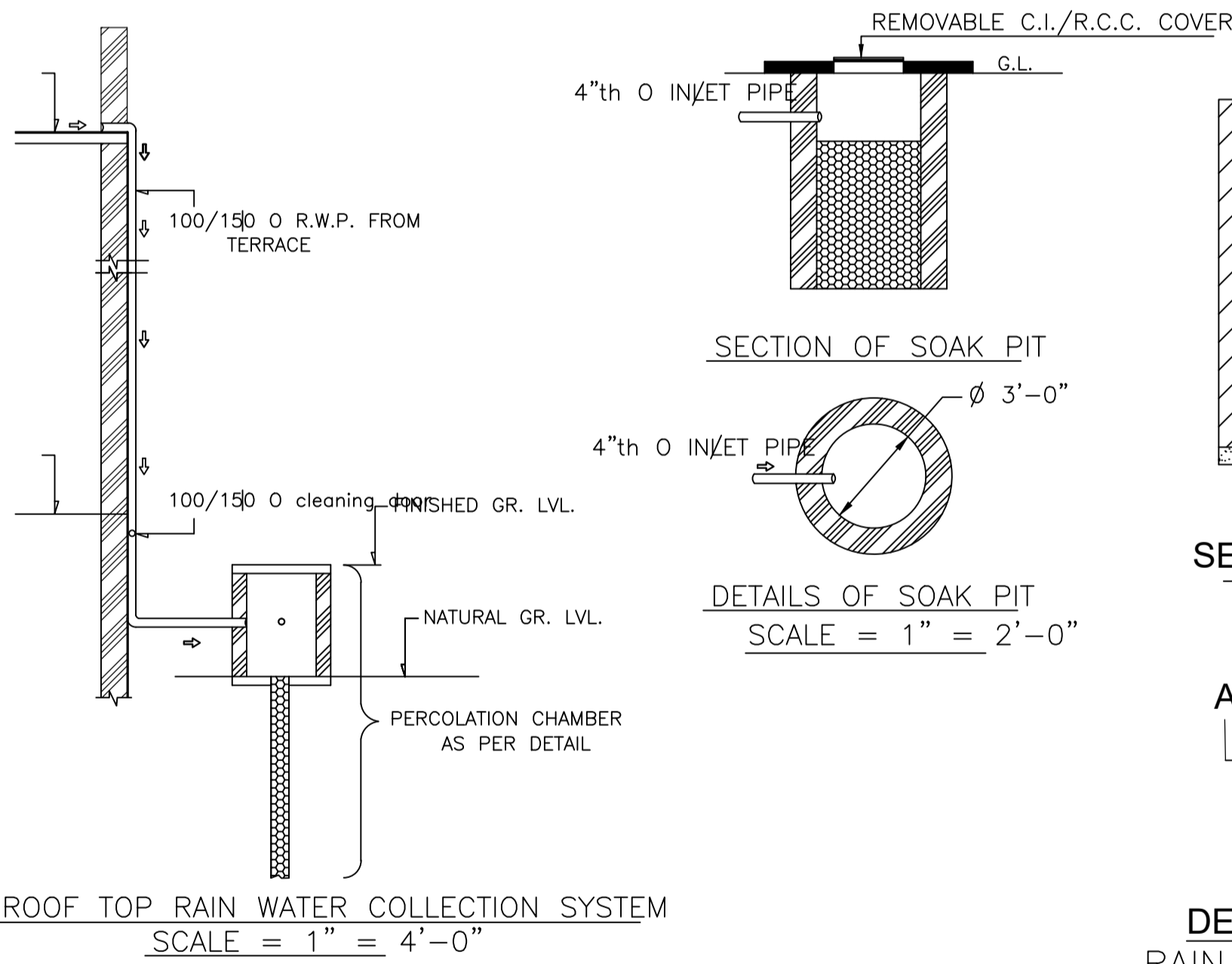
SECTION X-X SCALE - 1" = 8'-0"
SECTION Y-Y SCALE - 1" = 8'-0"



FRONT ELEVATION SCALE - 1" = 8'-0"
LEFT SIDE ELEVATION SCALE - 1" = 8'-0"



KEY PLAN
SCALE:- 1"=330'0"



ROOF TOP RAIN WATER COLLECTION SYSTEM
SCALE = 1" = 4'-0"

UnitBUA Table for Building :NIRMA (DEVI)

FLOOR	Name	UnitBUA Type	UnitBUA Area	Carpet Area	No. of Rooms	No. of Tenement
GROUND FLOOR PLAN	SPLIT 1	FLAT	123.52	121.65	5	1
FIRST FLOOR PLAN	SPLIT 1	FLAT	0.00	0.00	5	0
Total:	-	-	123.52	121.65	10	1

Building :NIRMA (DEVI)

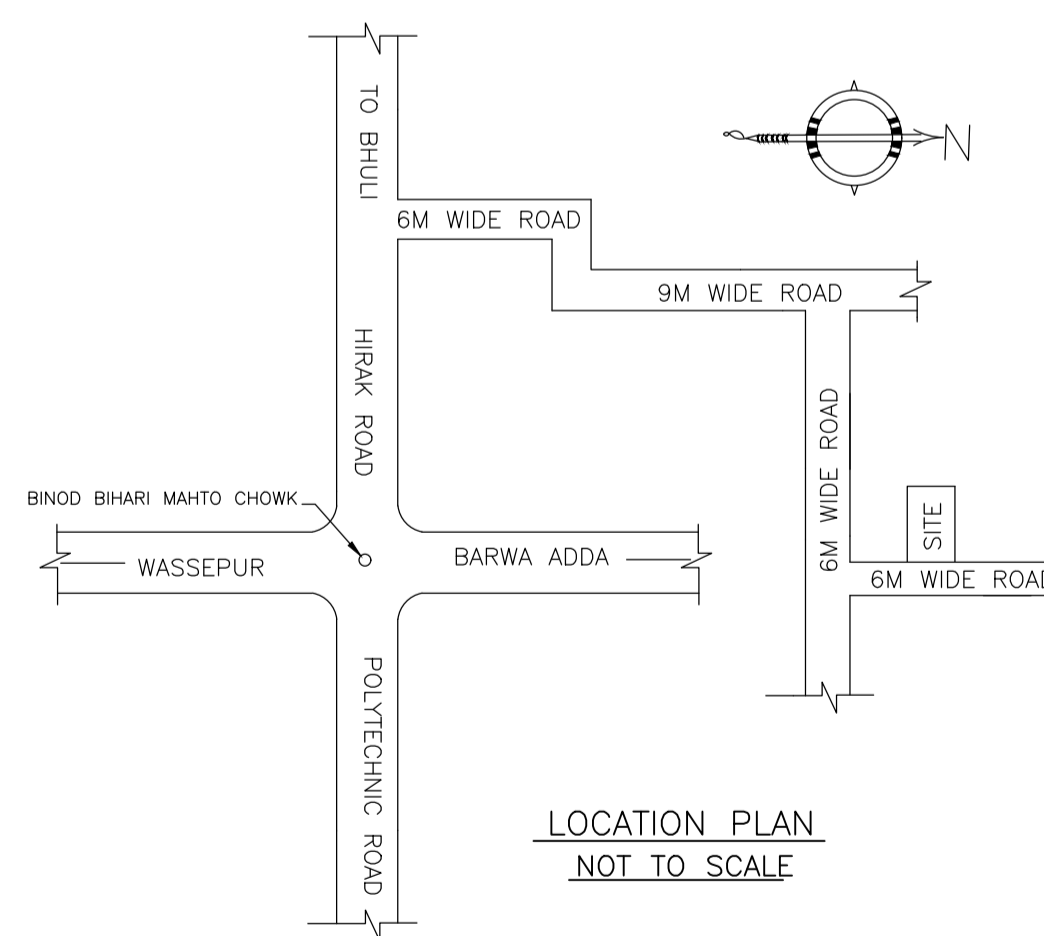
Floor Name	Total Built Up Area (Sq.mt.)	Proposed FAR Area (Sq.mt.)	Total FAR Area (Sq.mt.)	Total Consumed Additional FAR Area (Sq.mt.)	Tnmt (No.)
Ground Floor	61.76	61.76	61.76	61.76	01
First Floor	61.76	61.76	61.76	61.76	00
Terrace Floor	0.00	0.00	0.00	0.00	00
Total:	123.52	123.52	123.52	123.52	01
Total Number of Same Buildings	1				
Total:	123.52	123.52	123.52	123.52	01

SCHEDULE OF DOOR:

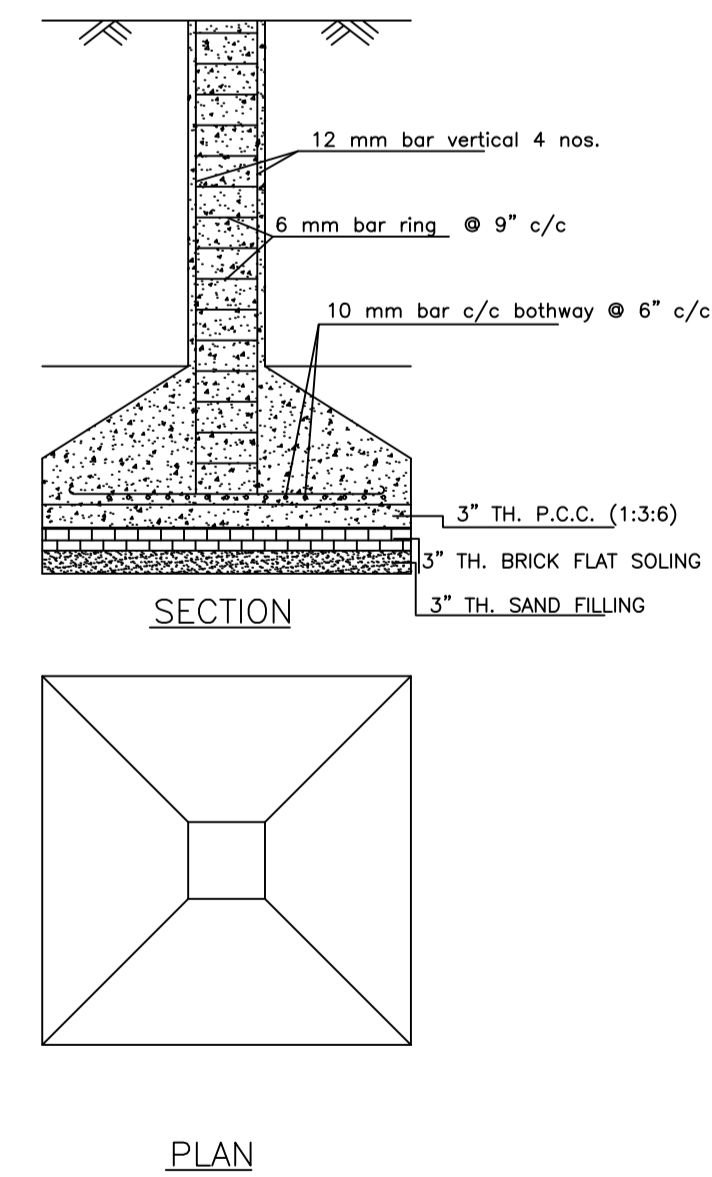
BUILDING NAME	NAME	LENGTH	HEIGHT	NOS
NIRMA (DEVI)	D	0.76	2.10	02
NIRMA (DEVI)	D	0.88	2.10	02
NIRMA (DEVI)	D	0.91	2.10	04
NIRMA (DEVI)	D	1.02	2.10	02

SCHEDULE OF WINDOW/VENTILATION:

BUILDING NAME	NAME	LENGTH	HEIGHT	NOS
NIRMA (DEVI)	V	0.61	1.20	02
NIRMA (DEVI)	W	0.91	1.20	04
NIRMA (DEVI)	W	1.22	1.20	10



LOCATION PLAN
NOT TO SCALE



DETAILS OF COLUMN FOUNDATION
SCALE - 1" = 2'-0"

AREA STATEMENT MINERAL AREA DEVELOPMENT AUTHORITY		VERSION NO: 1.0.62
PROJECT DETAIL:		VERSION DATE: 16/10/2020
Region: JHARKHAND URBAN	Plot Use: Residential	
LOCAL BODIES	District: DHANBAD	Plot SubUse: Bungalow/ Dwelling / Non Apartment
Authority: MINERAL AREA DEVELOPMENT AUTHORITY	PlotNearbyReligiousStructure: NA	
Inward_No: MADA/BP/0154/2022	Plot/SubPlot No: OLD PLOT NO-2537, NEW PLOT NO-3901	
Application Type: General Proposal	North: Plot No. - SAME PLOT	
Project Type: Building Permission	South: Plot No. - SAME PLOT	
Nature of Development: New	East: Road Width - 6.10	
Location of Development Area: Old Area	West: Plot No. - SAME PLOT	
AREA DETAILS:		
AREA OF PLOT (Minimum)	(A)	SQ.MT. 111.39
NET AREA OF PLOT(Gross Plot Area - Deduction from Gross Plot area)	(A-Deductions)	111.39
Deduction for Balance Plot Area(from Gross Plot Area)		
Common Plot		12.08
Total		12.08
BALANCE AREA OF PLOT(Net Plot Area - Recreational/Amenity space)	(A-Deductions)	99.30
PLOT AREA FOR COVERAGE(Net Plot Area)	(A-Deductions)	111.39
Plot Area for FAR (Net Plot Area + Road Widening Area)	(A-Deductions)	111.39
COVERAGE CHECK		
Permissible Coverage area (70.00 %)		77.97
Proposed Coverage Area (55.45 %)		61.76
Total Prop. Coverage Area (55.45 %)		61.76
Balance coverage area (14.55 %)		16.21
FAR CHECK		
Perm. FAR Area (2.50)		278.48
Total Perm. FAR area		278.48
Residential FAR		123.52
Proposed FAR Area		123.52
Total Proposed FAR Area		123.52
Consumed FAR (Factor)		1.11
Balance FAR Area		154.96
BUILT UP AREA CHECK		
Total Proposed BuiltUp Area		123.52
ARCHITECT (Regd)		RAM PRATAP SINGH
ENGINEER (Regd)		
SUPERVISOR (Regd)		
OWNER (Regd)		SMT. NIRMA DEVI
DEVELOPMENT AUTHORITY		LOCAL BODY

COLOR INDEX	
PLOT BOUNDARY	Black
ABUTTING ROAD	Green
PROPOSED CONSTRUCTION	Red
COMMON PLOT	Yellow
ROAD WIDENING AREA	Blue
EXISTING (To be retained)	Orange
EXISTING (To be demolished)	Light Blue

Buildingwise Floor FAR Details

Floor Name	Building Name		Total	
	Proposed Built Up Area (Sq.mt.)	Proposed FAR Area (Sq.mt.)	Total Proposed Built Up Area (Sq.mt.)	Total FAR Area (Sq.mt.)
Ground Floor	61.76	61.76	61.76	61.76
First Floor	61.76	61.76	61.76	61.76
Terrace Floor	0.00	0.00	0.00	0.00
Total:	123.52	123.52	123.52	123.52

Building USE/SUBUSE Details

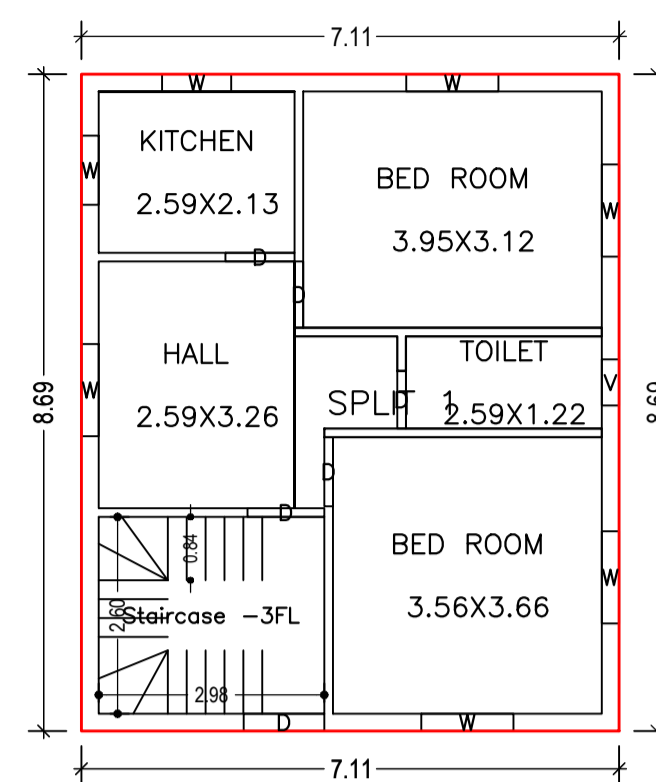
Building Name	Building Use	Building SubUse	Building Structure
NIRMA (DEVI)	Residential	Residential Bldg/apartment	Non-Highrise

FAR & Tenement Details (Table 4c-1)

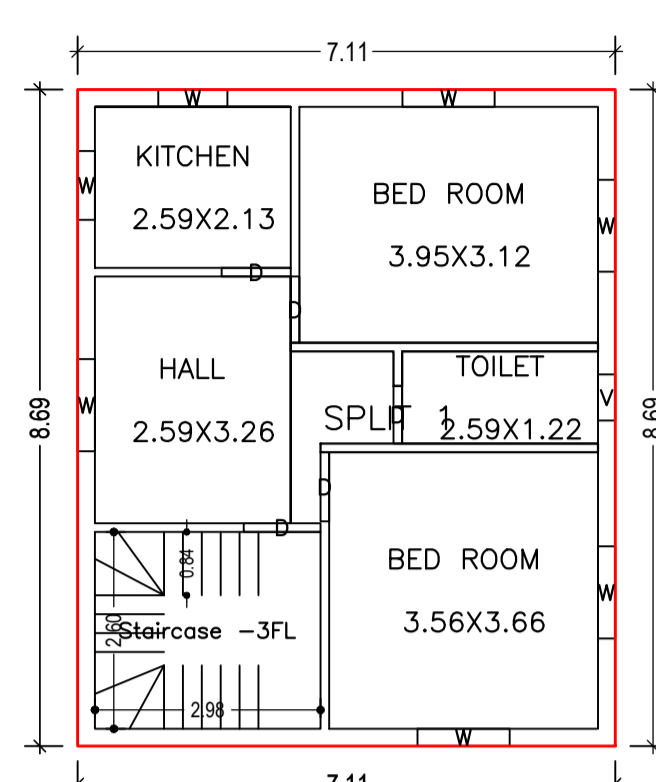
Building	No. of Same Bldg	Total Built Up Area (Sq.mt.)	Proposed FAR Area (Sq.mt.)	Total FAR Area (Sq.mt.)	Total Consumed Additional FAR Area (Sq.mt.)	Tnmt (No.)
NIRMA (DEVI)	1	123.52	123.52	123.52	123.52	01
Grand Total:	1	123.52	123.52	123.52	123.52	01

LTP NAME AND SIGNATURE	STRUCTURAL ENG'S NAME AND SIGNATURE	BUILDER NAME AND SIGNATURE	DIGITAL SIGNATURE
RAM PRATAP SINGH MADA/ARC/0024/2019			

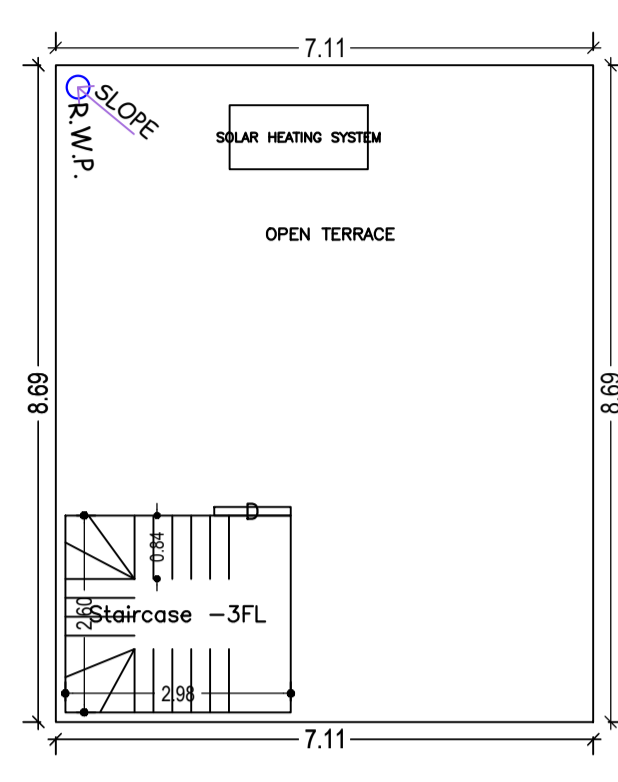
Proposal Basic Information	
Proposal File No.	MADA/BP/0154/2022
Owner Name	SMT. NIRMA DEVI
Khata No	OLD KHATA NO- 25, NEW KHATA NO-35
Plot No	OLD PLOT NO-2537, NEW PLOT NO-3901
Village Name	Bara Pichri
Use	Residential
SubUse	Bungalow/ Dwelling / Non Apartment



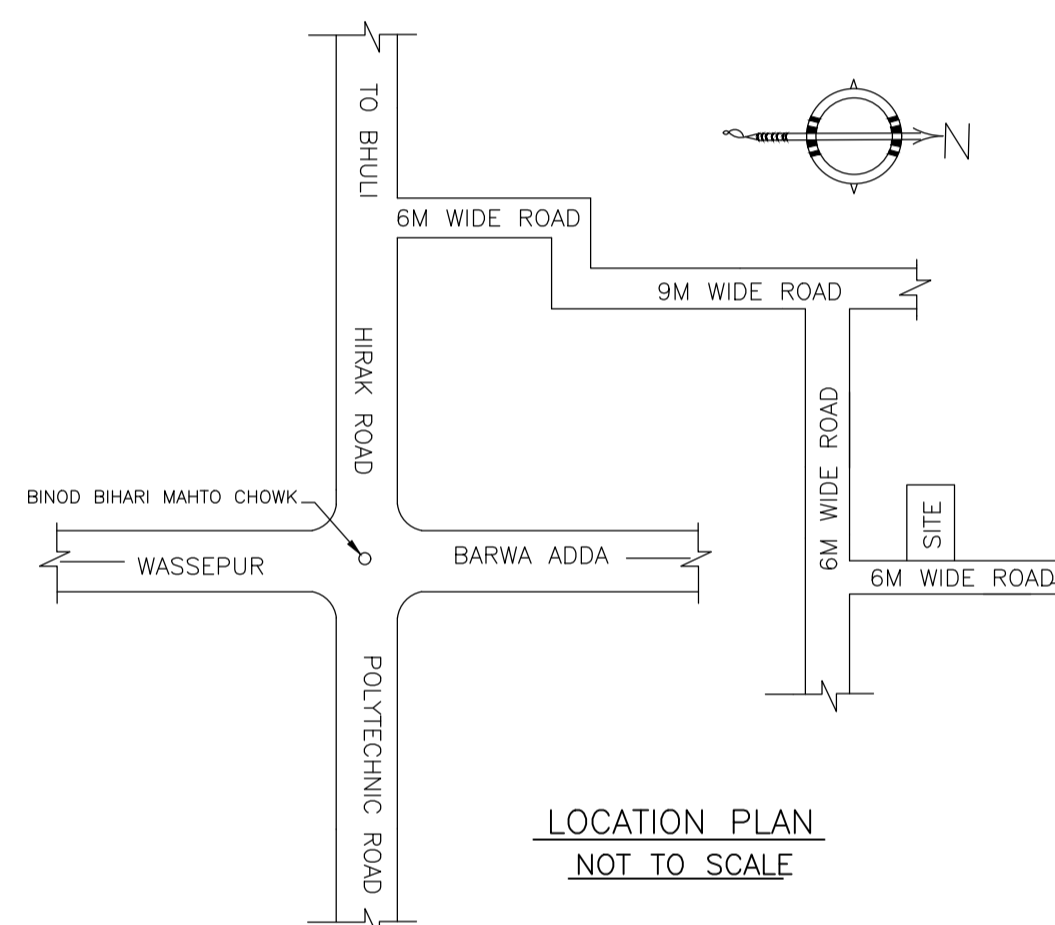
GROUND FLOOR PLAN
(Proposed)
(SCALE 1:100)



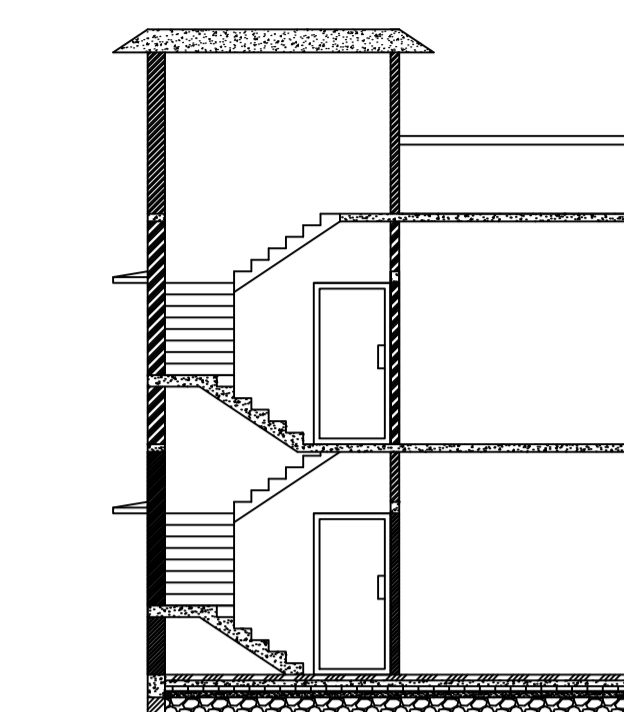
FIRST FLOOR PLAN
(Proposed)
(SCALE 1:100)



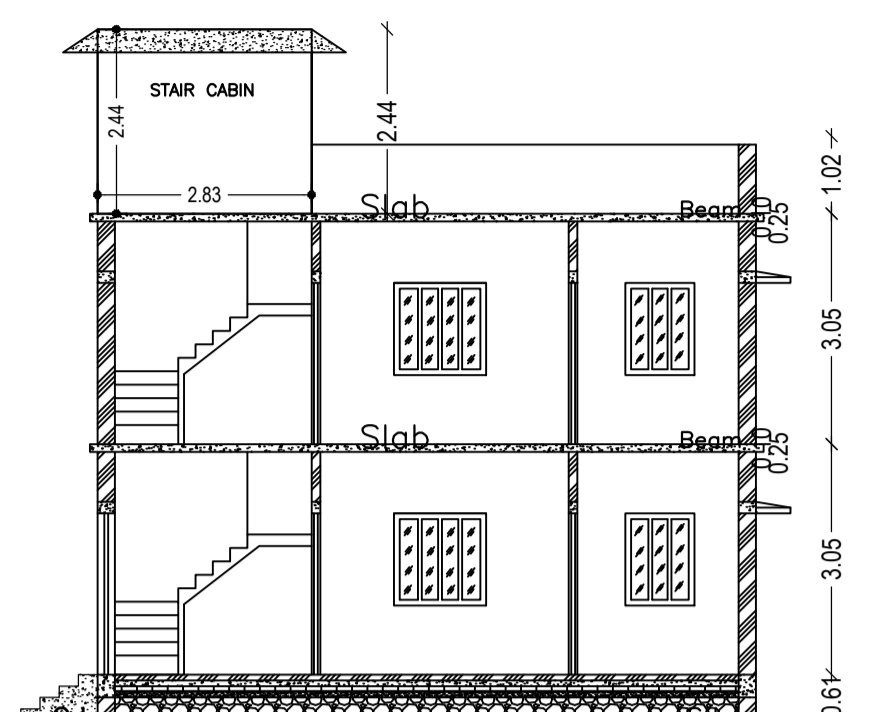
TERRACE FLOOR PLAN
(SCALE 1:100)



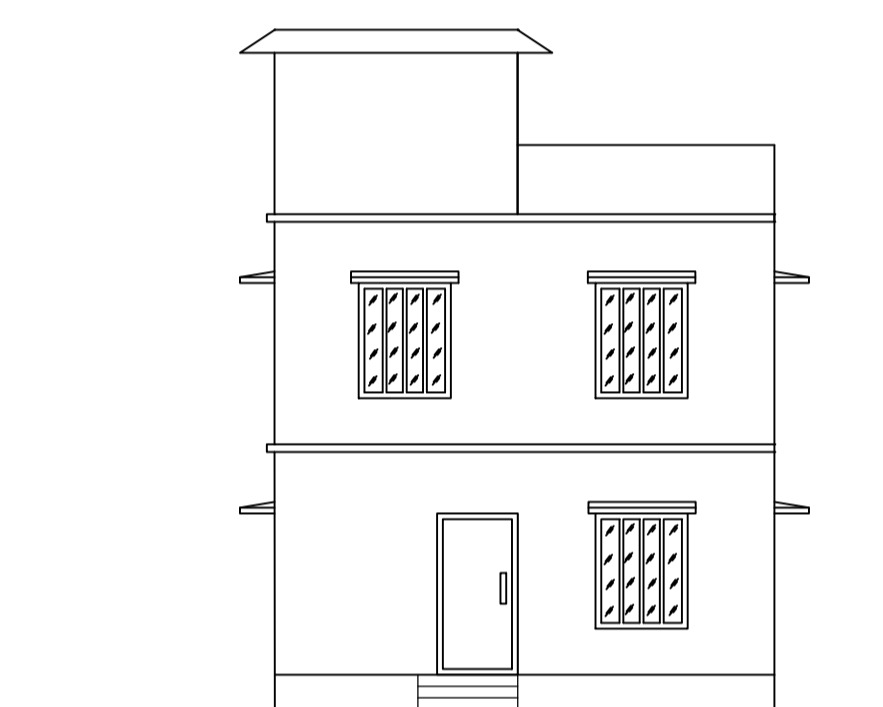
LOCATION PLAN
NOT TO SCALE



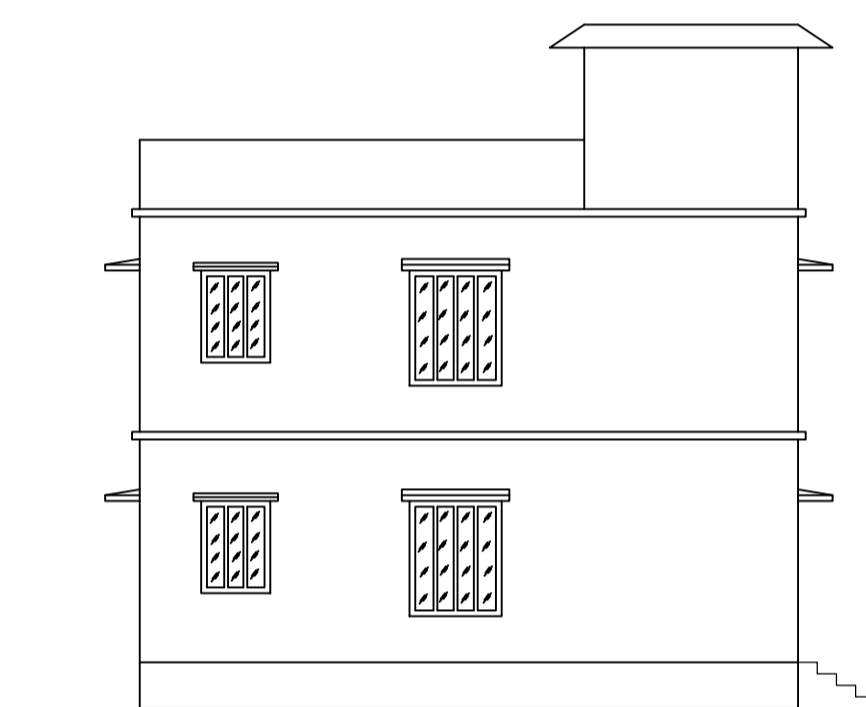
SECTION X-X
SCALE - 1" = 8'-0"



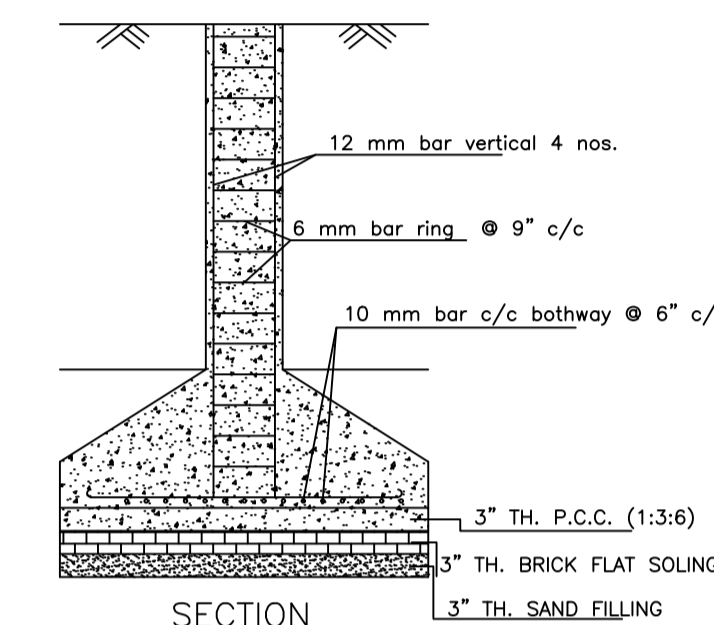
SECTION Y-Y
SCALE - 1" = 8'-0"



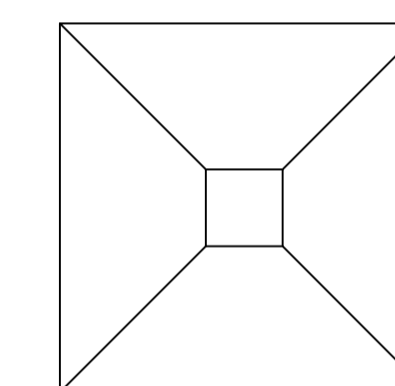
FRONT ELEVATION
SCALE - 1" = 8'-0"



LEFT SIDE ELEVATION
SCALE - 1" = 8'-0"

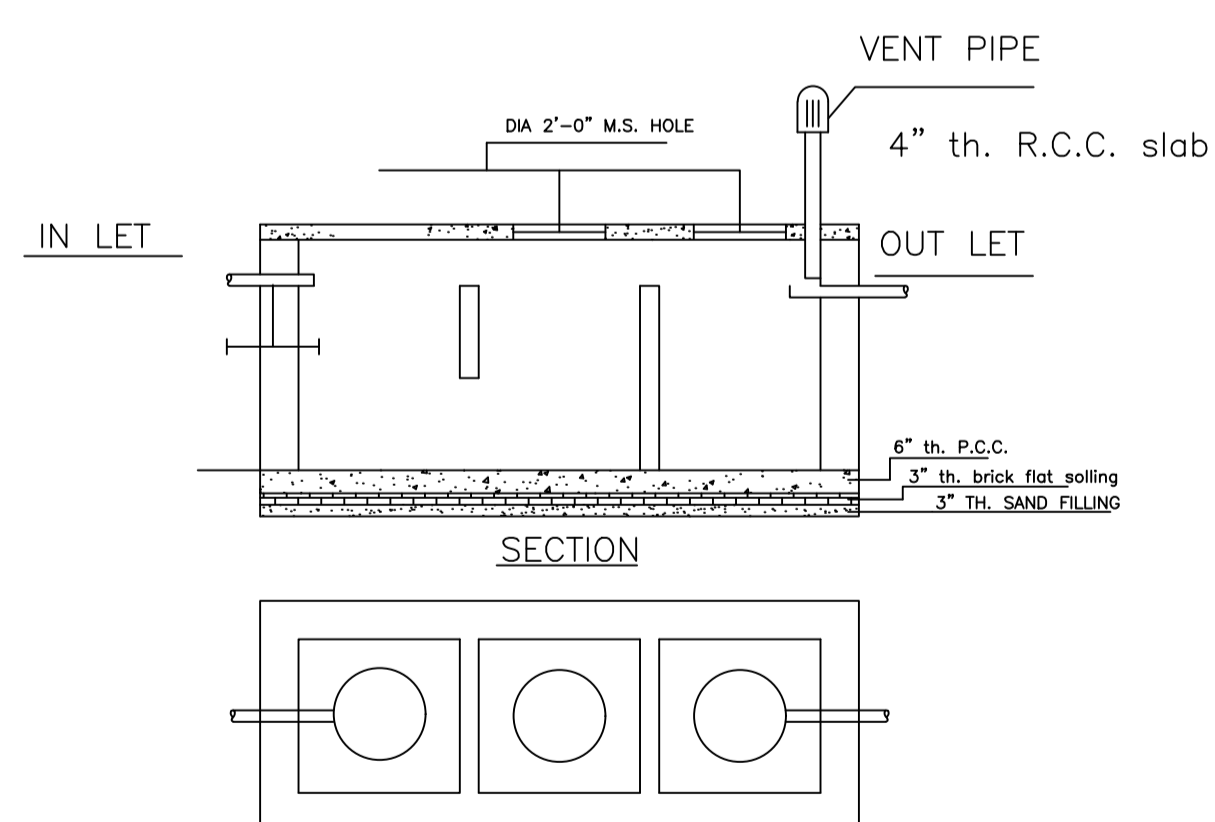


SECTION

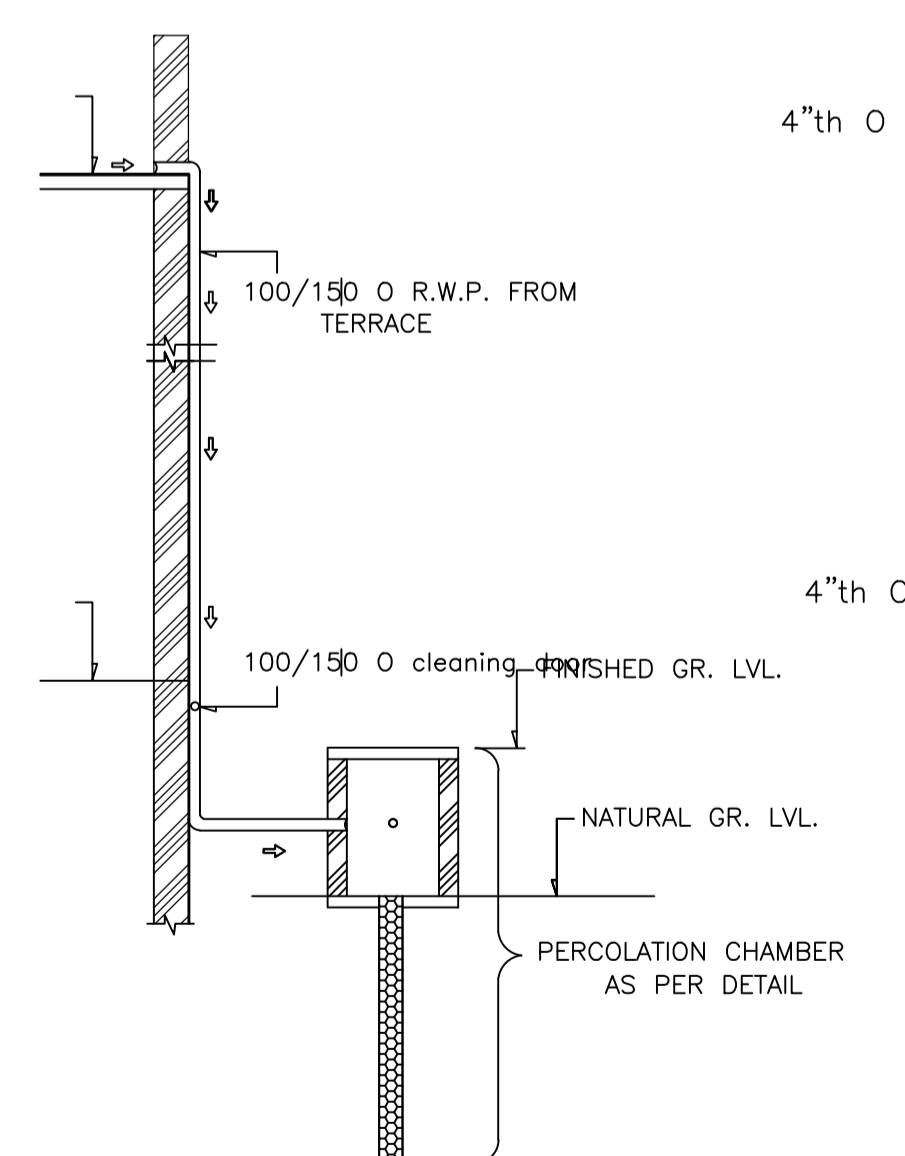


PLAN

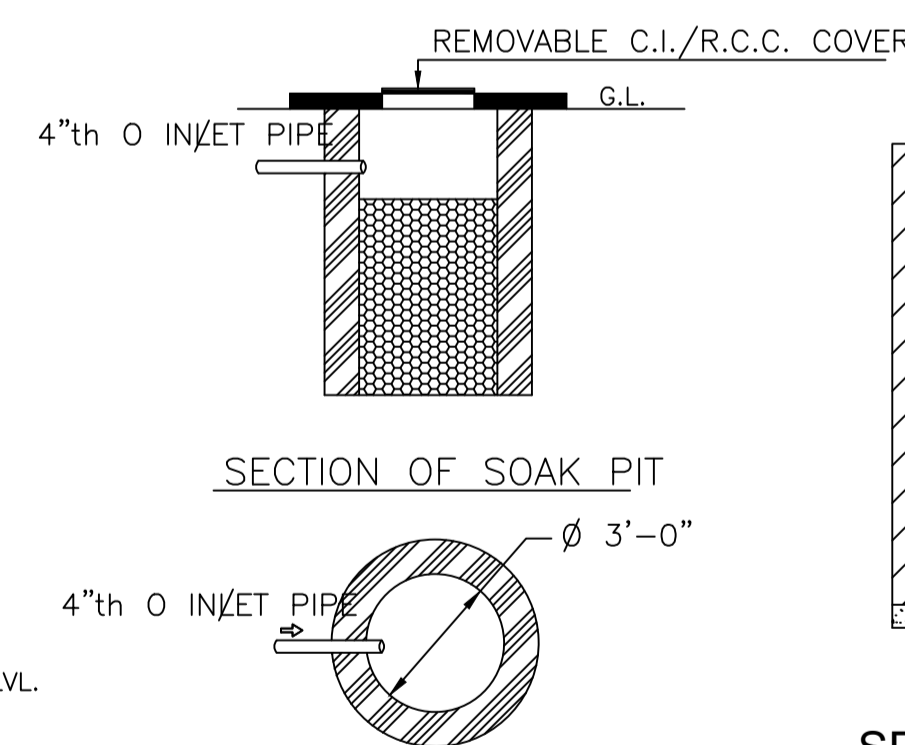
DETAILS OF COLUMN FOUNDATION
SCALE - 1" = 2'-0"



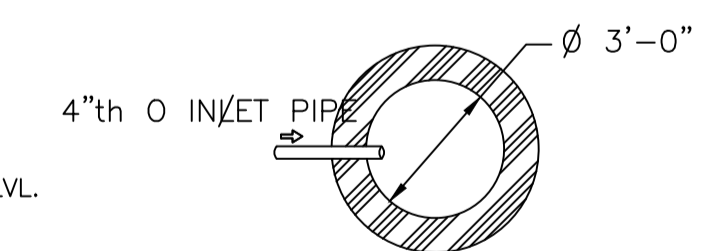
DETAILS OF SEPTIC TANK
SCALE - 1" = 4'-0"



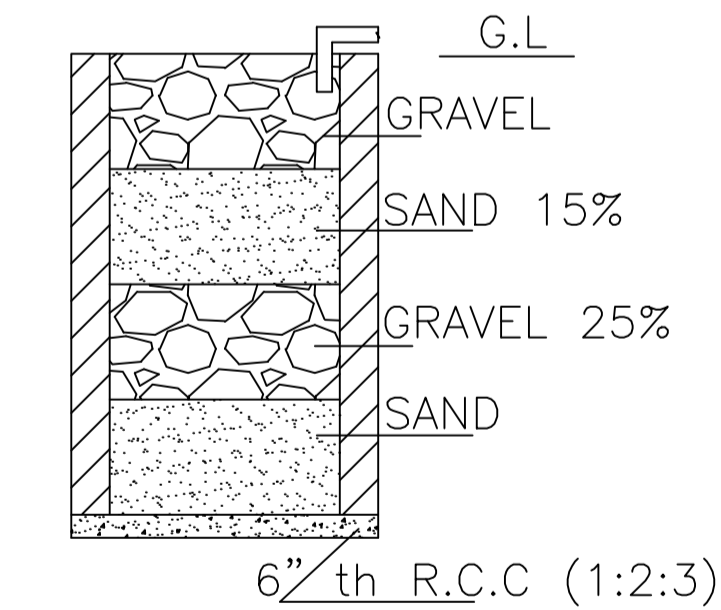
ROOF TOP RAIN WATER COLLECTION SYSTEM
SCALE = 1" = 4'-0"



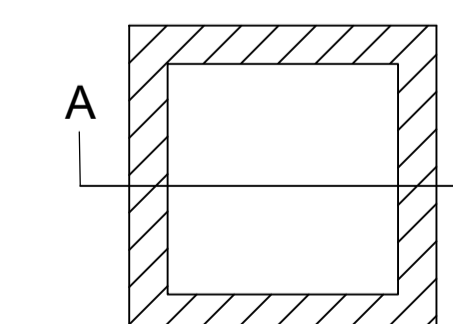
SECTION OF SOAK PIT



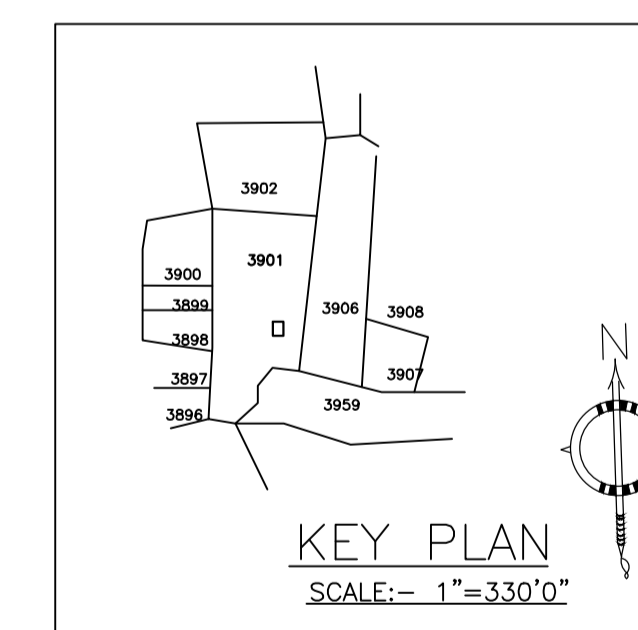
DETAILS OF SOAK PIT
SCALE = 1" = 2'-0"



SECTION ON A - B



DETAILS DRAWING OF
RAIN WATER HARVESTING
SCALE:- 1"=2'-0"



KEY PLAN
SCALE:- 1"=330'0"

LTP NAME AND SIGNATURE	STRUCTURAL ENG'S NAME AND SIGNATURE	BUILDER NAME AND SIGNATURE	DIGITAL SIGNATURE
RAM PRATAP SINGH MADA/ARC/0024/2019			