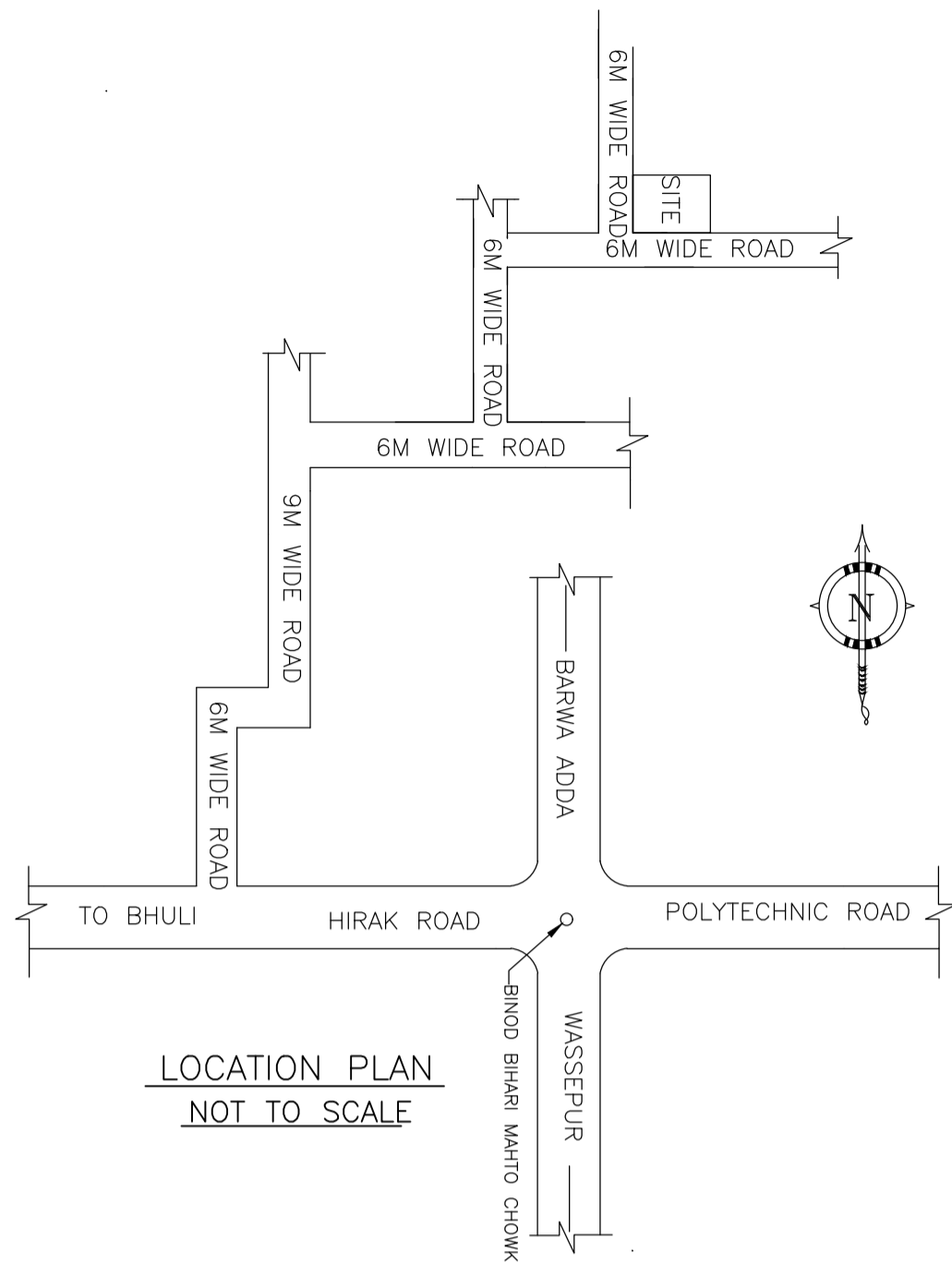
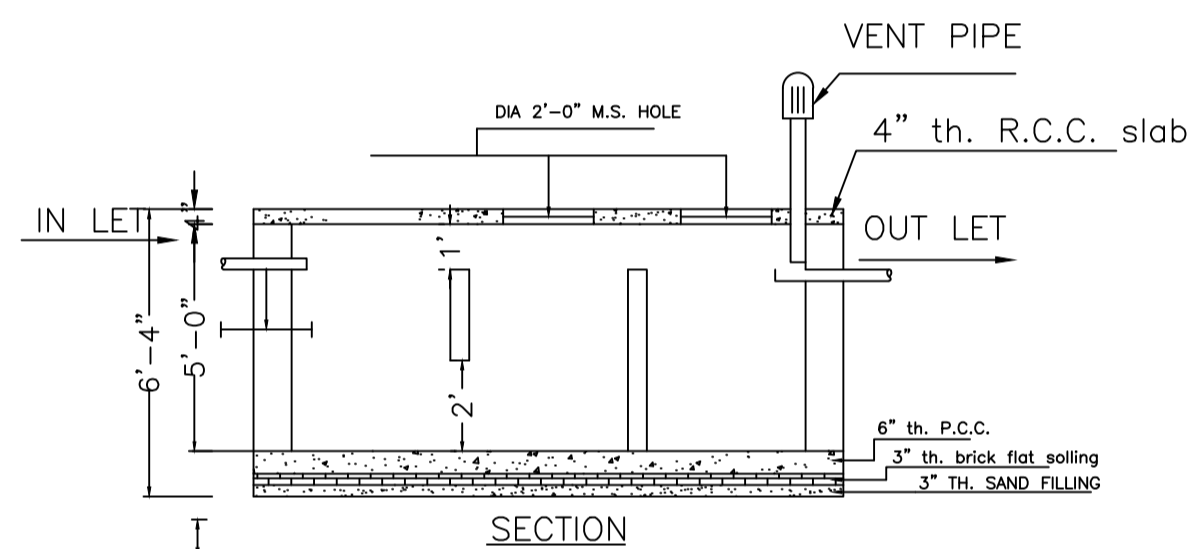


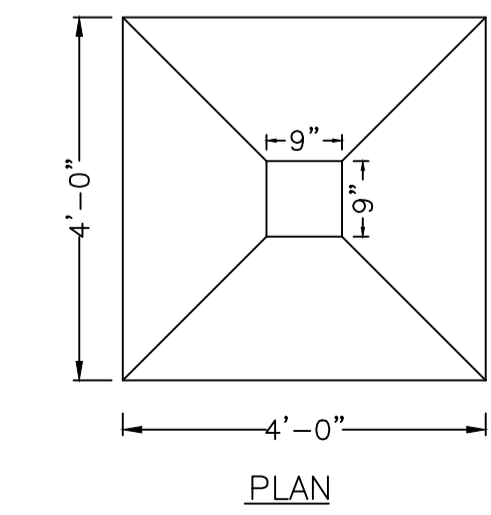
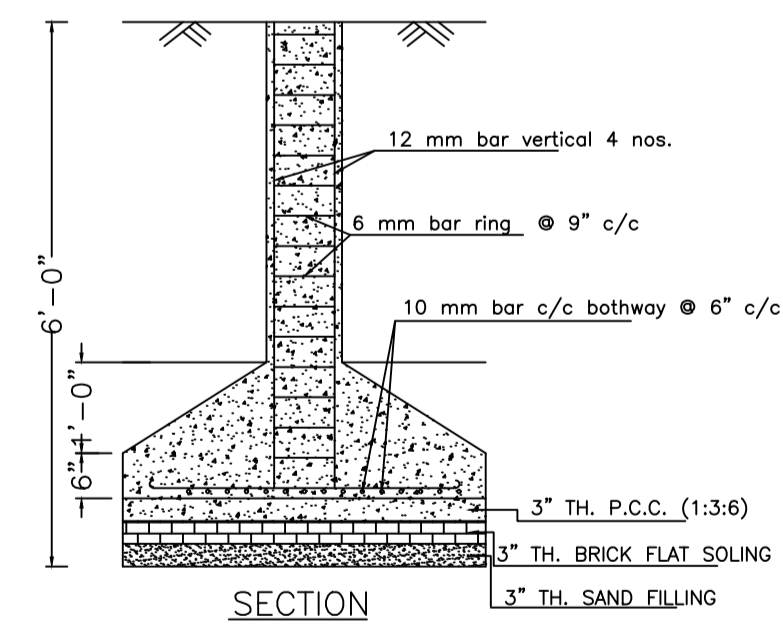
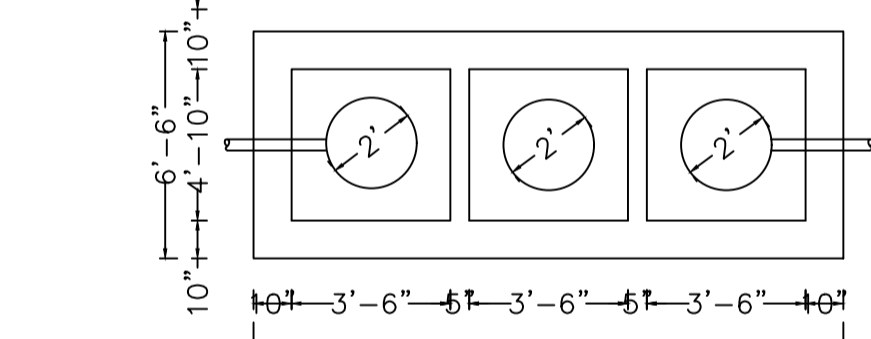
SITE PLAN
SCALE - 1" = 16'-0"



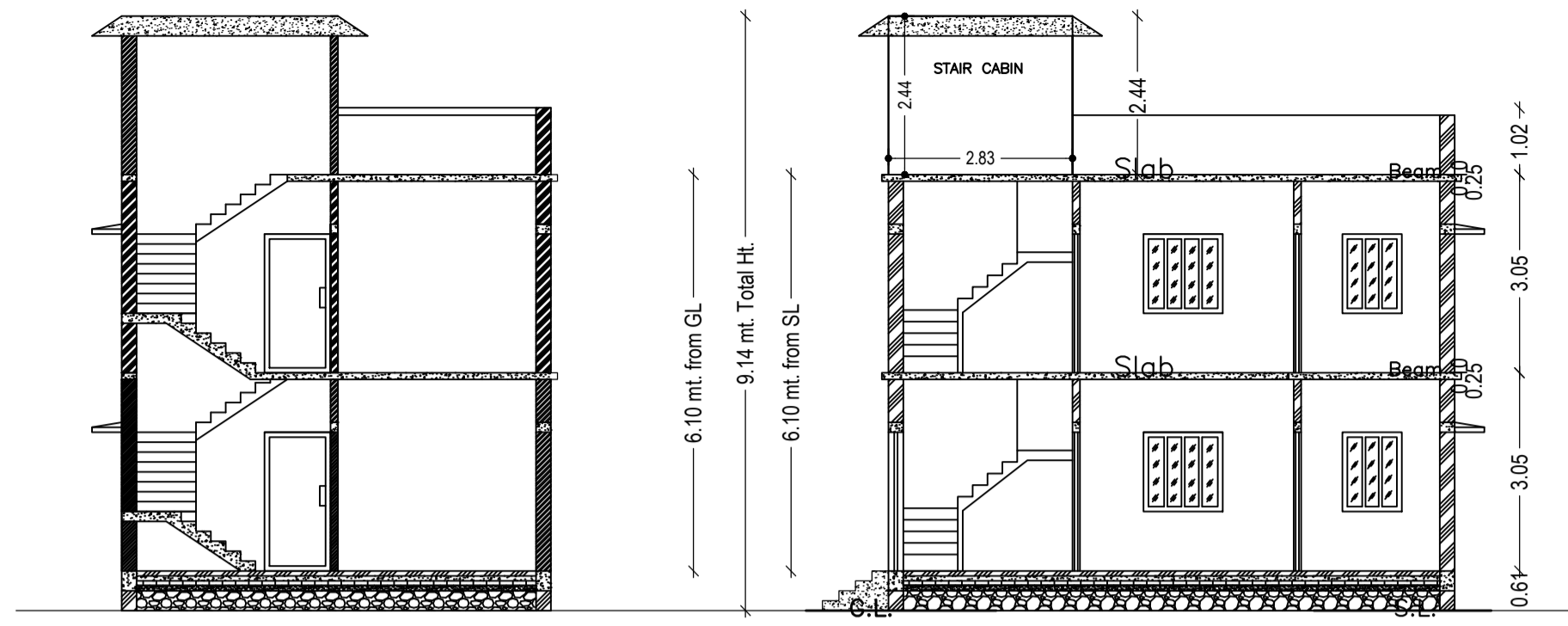
LOCATION PLAN
NOT TO SCALE



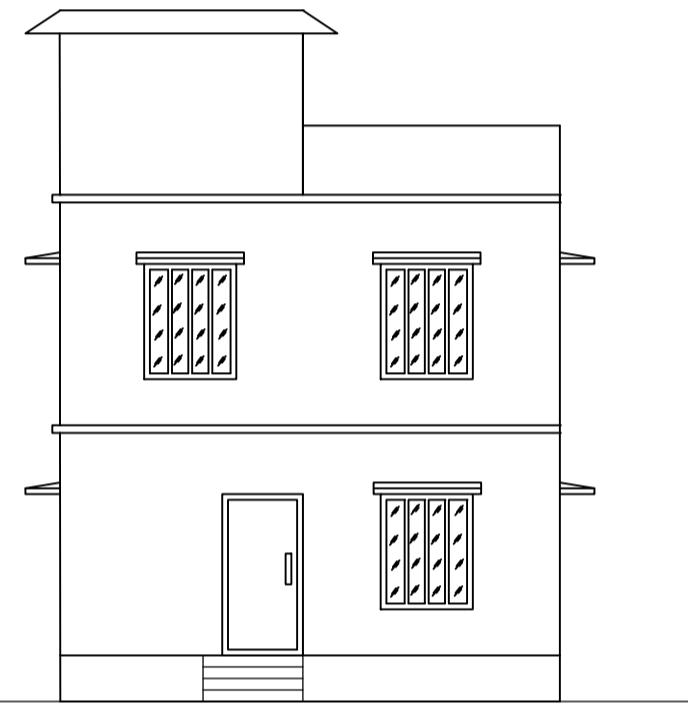
SECTION
DETAILS OF SEPTIC TANK
SCALE - 1" = 4'-0"



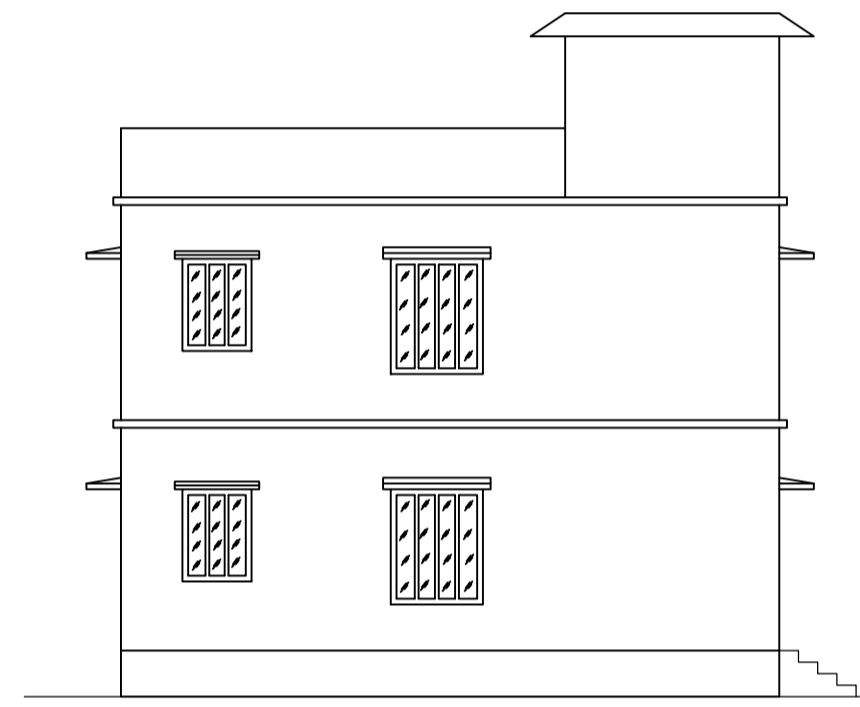
PLAN
DETAILS OF COLUMN FOUNDATION
SCALE - 1" = 2'-0"



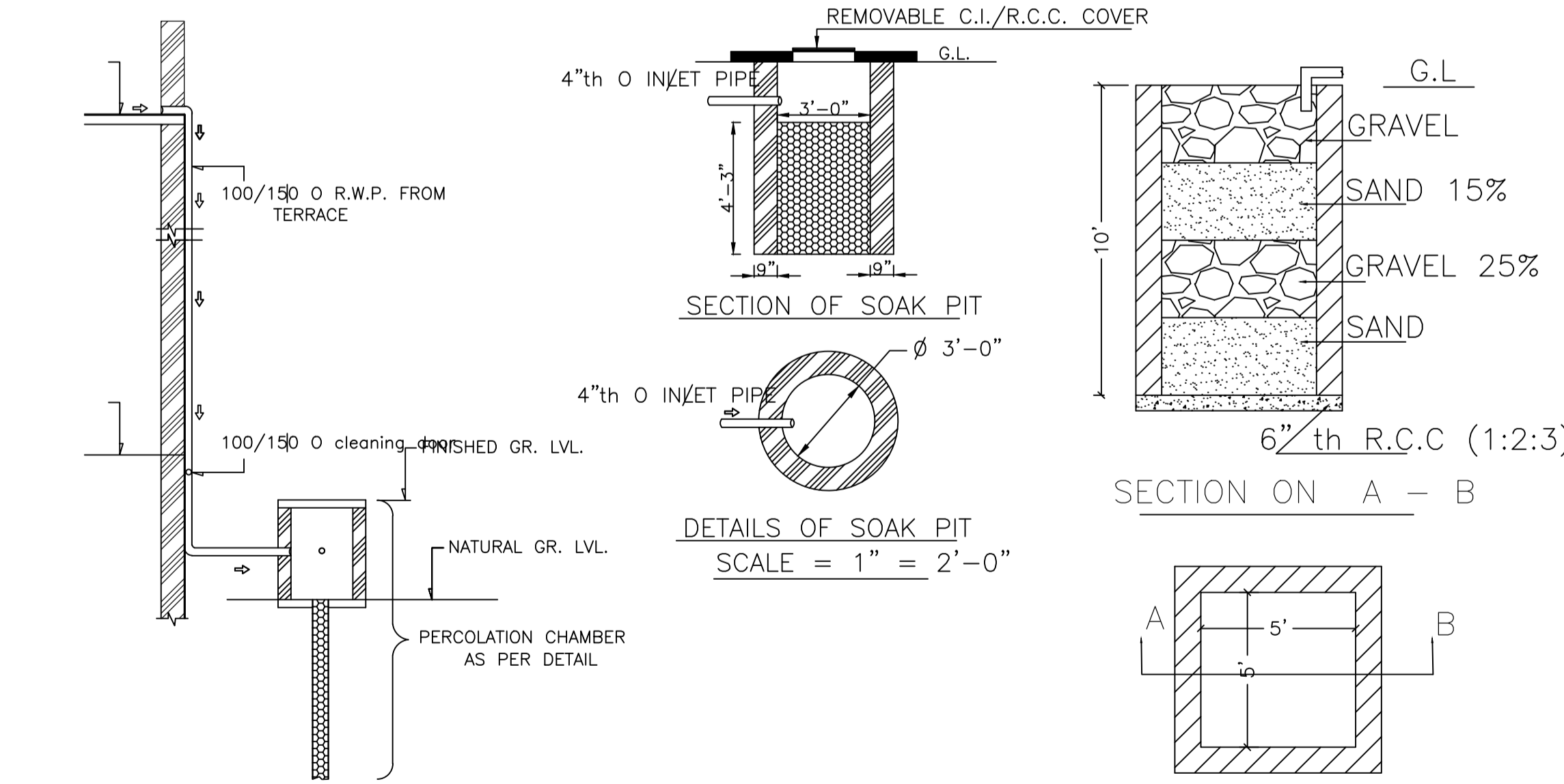
SECTION X-X SCALE - 1" = 8'-0"
SECTION Y-Y SCALE - 1" = 8'-0"



FRONT ELEVATION
SCALE - 1" = 8'-0"



LEFT SIDE ELEVATION
SCALE - 1" = 8'-0"



ROOF TOP RAIN WATER COLLECTION SYSTEM
SCALE = 1" = 4'-0"

DETAILS DRAWING OF RAIN WATER HARVESTING
SCALE: - 1" = 2'-0"

SCHEDULE OF DOOR:

BUILDING NAME	NAME	LENGTH	HEIGHT	NOS
A (SANTOSH)	D	0.76	2.10	02
A (SANTOSH)	D	0.88	2.10	02
A (SANTOSH)	D	0.91	2.10	04
A (SANTOSH)	D	1.02	2.10	02

SCHEDULE OF WINDOW/VENTILATION:

BUILDING NAME	NAME	LENGTH	HEIGHT	NOS
A (SANTOSH)	V	0.61	1.20	02
A (SANTOSH)	W	0.91	1.20	04
A (SANTOSH)	W	1.22	1.20	10

Building :A (SANTOSH)

Floor Name	Total Built Up Area (Sq.mt.)	Proposed FAR Area (Sq.mt.) Resi.	Total FAR Area (Sq.mt.)	Total Consumed Additional FAR Area (Sq.mt.)	Trmt (No.)
Ground Floor	61.76	61.76	61.76	61.76	01
First Floor	61.76	61.76	61.76	61.76	00
Terrace Floor	0.00	0.00	0.00	0.00	00
Total :	123.52	123.52	123.52	123.52	01
Total Number of Same Buildings	1				
Total :	123.52	123.52	123.52	123.52	01

Proposal Basic Information

Proposal File No.	MADA/BP/0157/2022
Owner Name	SRI. SANTOSH KUMAR GUPTA
Khata No	OLD KHATA NO-25, NEW KHATA NO-35
Plot No	OLD PLOT NO-2537, NEW PLOT NO-3901
Village Name	Bara Pichri
Use	Residential
SubUse	Bungalow/ Dwelling / Non Apartment

AREA STATEMENT MINERAL AREA DEVELOPMENT AUTHORITY

AREA OF PLOT (Minimum)	(A)	SQ.MT.
NET AREA OF PLOT(Gross Plot Area - Deduction from Gross Plot area)	(A-Deductions)	111.29
Deduction for Balance Plot Area(from Gross Plot Area)		
Common Plot		11.89
Total		11.89
BALANCE AREA OF PLOT(Net Plot Area - Recreational/Amenity space)	(A-Deductions)	99.41
PLOT AREA FOR COVERAGE(Net Plot Area)	(A-Deductions)	111.29
Plot Area for FAR (Net Plot Area + Road Widening Area)	(A-Deductions)	111.29
COVERAGE CHECK		
Permissible Coverage area (70.00 %)		77.90
Proposed Coverage Area (55.49 %)		61.76
Total Prop. Coverage Area (55.49 %)		61.76
Balance coverage area (14.50 %)		16.14
FAR CHECK		
Perm. FAR Area (2.50)		278.23
Total Perm. FAR area		278.23
Residential FAR		123.52
Proposed FAR Area		123.52
Total Proposed FAR Area		123.52
Consumed FAR (Factor)		1.11
Balance FAR Area		154.71
BUILT UP AREA CHECK		
Total Proposed BuiltUp Area		123.52
ARCHITECT (Regd)		RAM PRATAP SINGH
ENGINEER (Regd)		
SUPERVISOR (Regd)		
OWNER (Regd)		SRI. SANTOSH KUMAR GUPTA
DEVELOPMENT AUTHORITY		LOCAL BODY

COLOR INDEX

PLOT BOUNDARY	Black
ABUTTING ROAD	Green
PROPOSED CONSTRUCTION	Red
COMMON PLOT	Yellow
ROAD WIDENING AREA	Blue
EXISTING (To be retained)	Orange
EXISTING (To be demolished)	White

Buildingwise Floor FAR Details

Floor Name	Building Name A (SANTOSH)		Total	
	Proposed Built Up Area (Sq.mt.)	Proposed FAR Area (Sq.mt.)	Total Proposed Built Up Area (Sq.mt.)	Total FAR Area (Sq.mt.)
Ground Floor	61.76	61.76	61.76	61.76
First Floor	61.76	61.76	61.76	61.76
Terrace Floor	0.00	0.00	0.00	0.00
Total :	123.52	123.52	123.52	123.52

Building USE/SUBUSE Details

Building Name	Building Use	Building SubUse	Building Structure
A (SANTOSH)	Residential	Bungalow/ Dwelling / Non Apartment	Non-Highrise

UnitBUA Table for Building :A (SANTOSH)

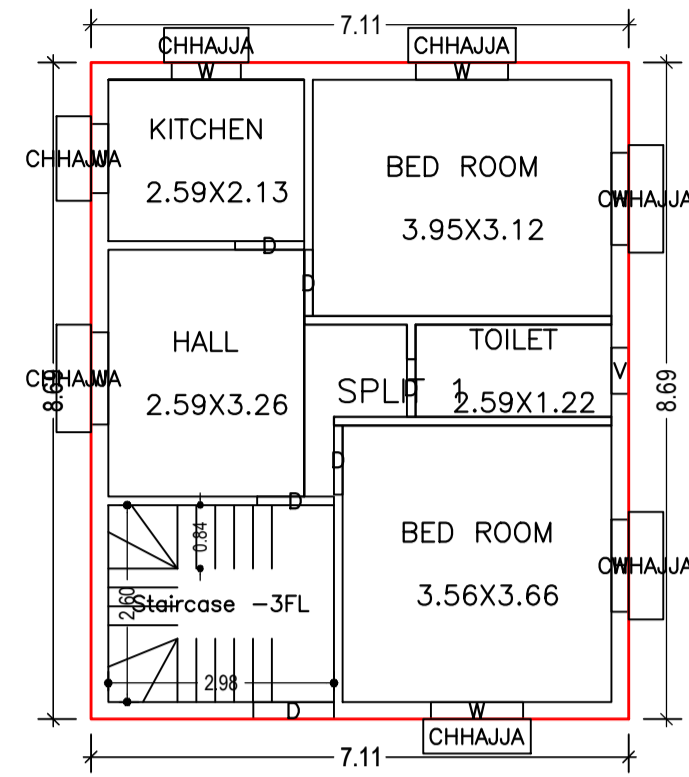
FLOOR	Name	UnitBUA Type	UnitBUA Area	Carpet Area	No. of Rooms	No. of Tenement
GROUND FLOOR PLAN	SPLIT 1	FLAT	123.52	121.65	5	1
FIRST FLOOR PLAN	SPLIT 1	FLAT	0.00	0.00	5	0
Total:	-	-	123.52	121.65	10	1

FAR & Tenement Details (Table 4c-1)

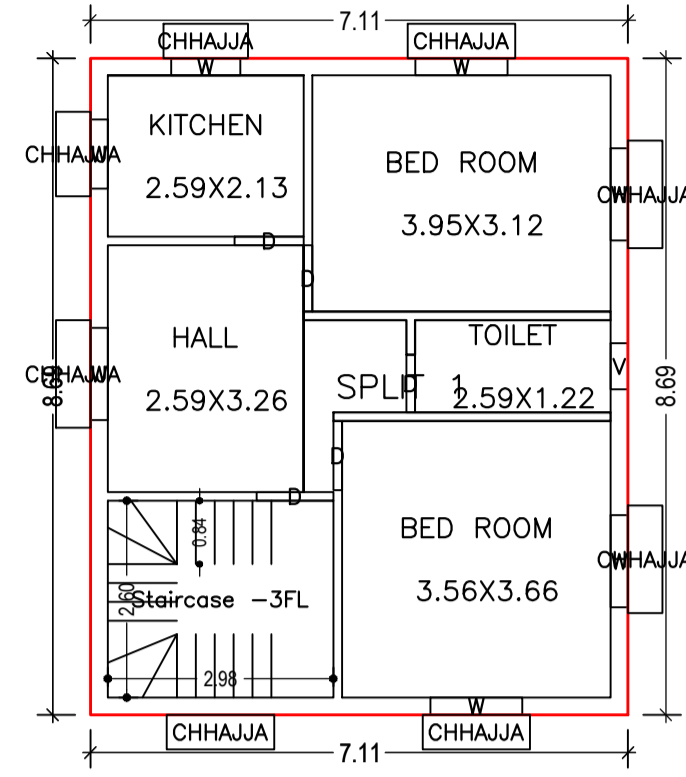
Building	No. of Same Bldg	Total Built Up Area (Sq.mt.)	Proposed FAR Area (Sq.mt.) Resi.	Total FAR Area (Sq.mt.)	Total Consumed Additional FAR Area (Sq.mt.)	Trmt (No.)
A (SANTOSH)	1	123.52	123.52	123.52	123.52	01
Grand Total :	1	123.52	123.52	123.52	123.52	01

LTP NAME AND SIGNATURE	STRUCTURAL ENG'S NAME AND SIGNATURE	BUILDER NAME AND SIGNATURE	DIGITAL SIGNATURE
RAM PRATAP SINGH MADA/ARC/0024/2019			

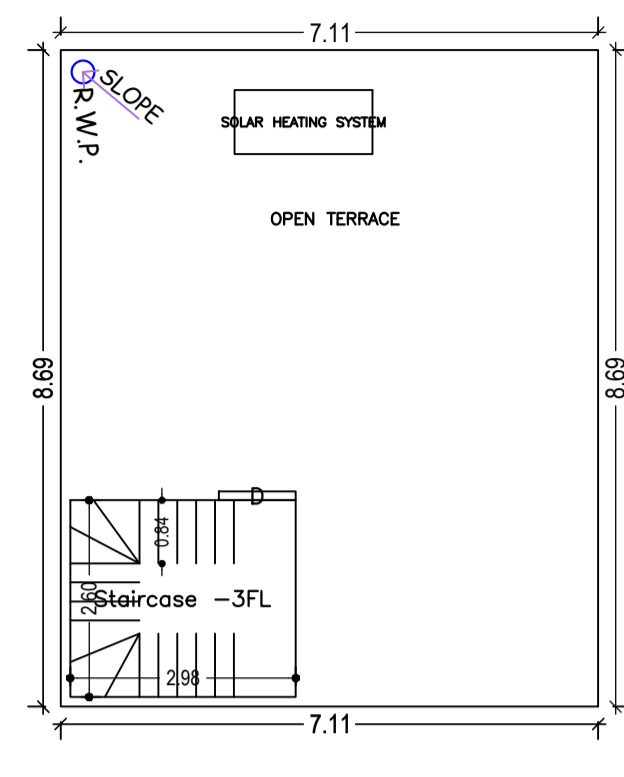
Proposal Basic Information	
Proposal File No.	MADA/BP/0157/2022
Owner Name	SRI. SANTOSH KUMAR GUPTA
Khata No	OLD KHATA NO- 25, NEW KHATA NO-35
Plot No	OLD PLOT NO-2537, NEW PLOT NO-3901
Village Name	Bara Pichri
Use	Residential
SubUse	Bungalow/ Dwelling / Non Apartment



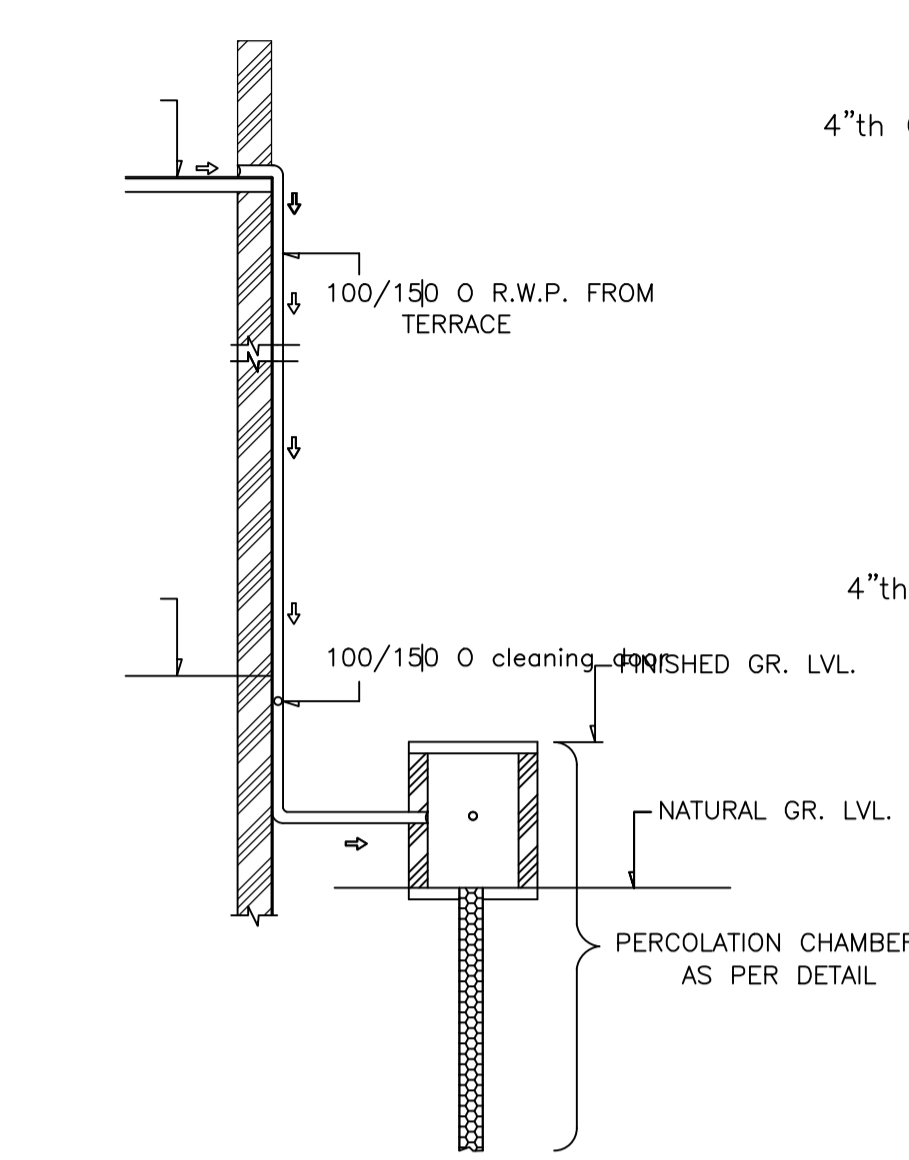
GROUND FLOOR PLAN
(Proposed)
(SCALE 1:100)



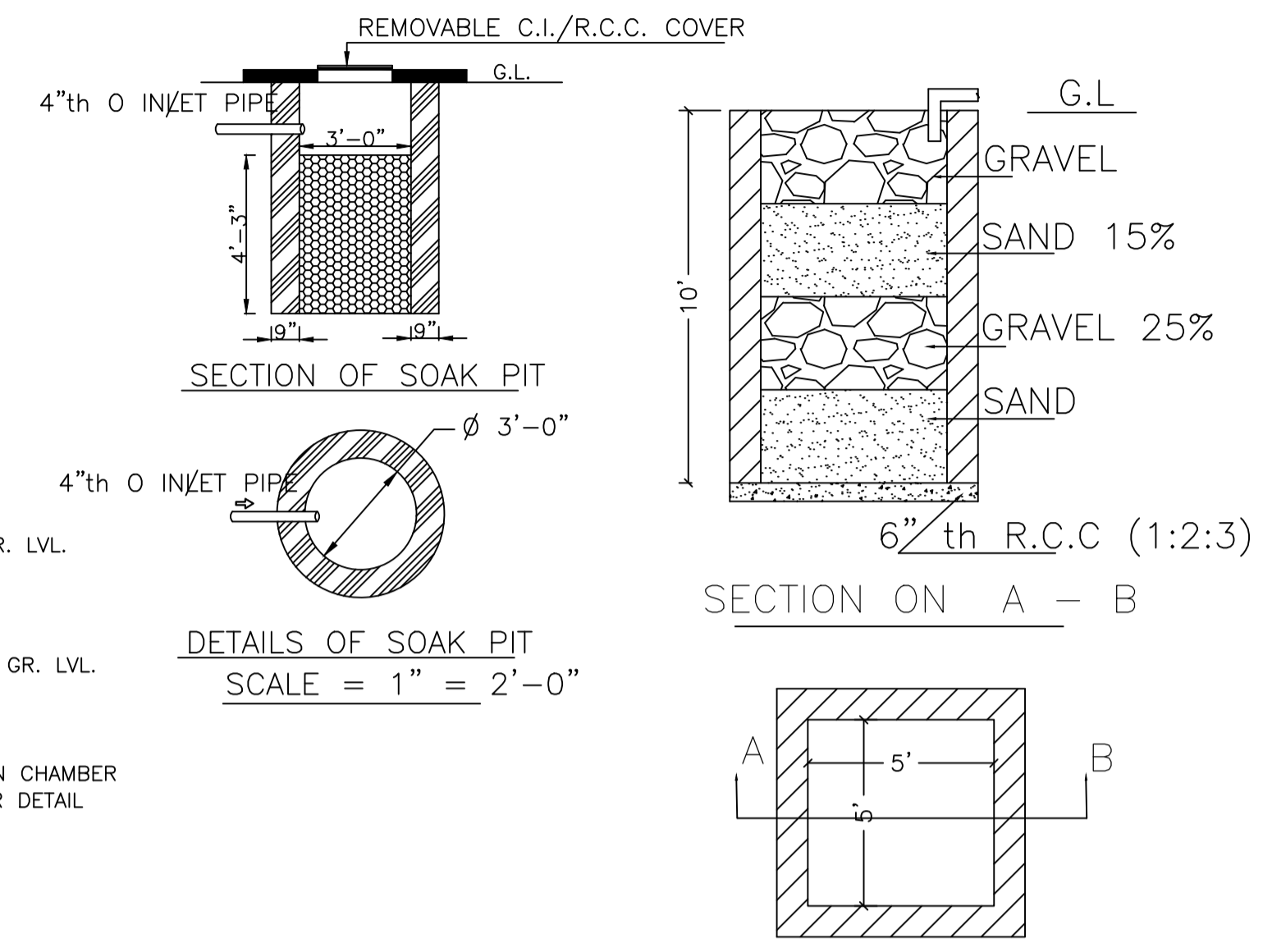
FIRST FLOOR PLAN
(Proposed)
(SCALE 1:100)



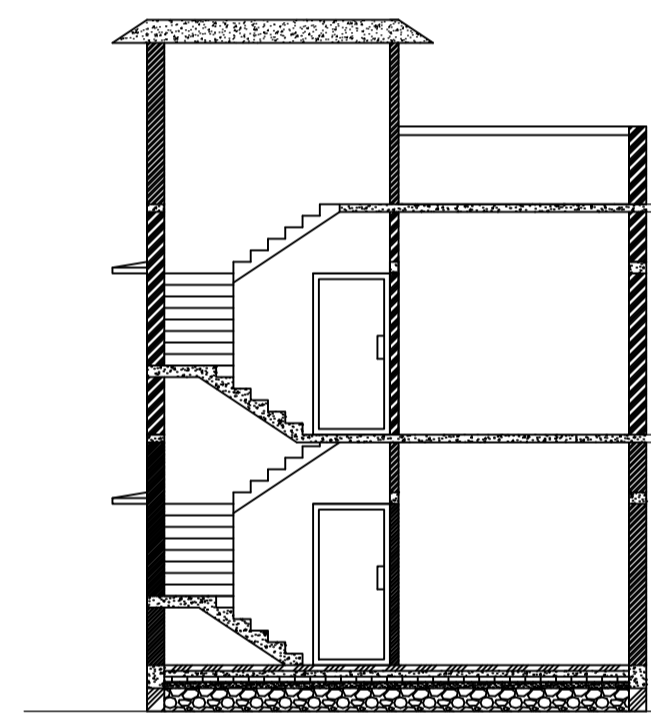
TERRACE FLOOR PLAN
(SCALE 1:100)



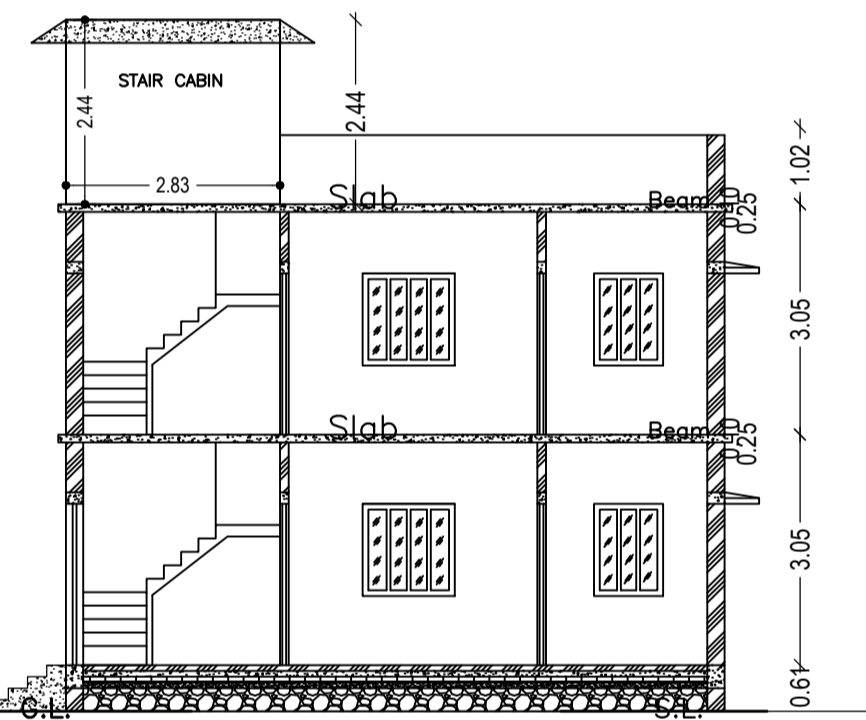
ROOF TOP RAIN WATER COLLECTION SYSTEM
SCALE = 1" = 4'-0"



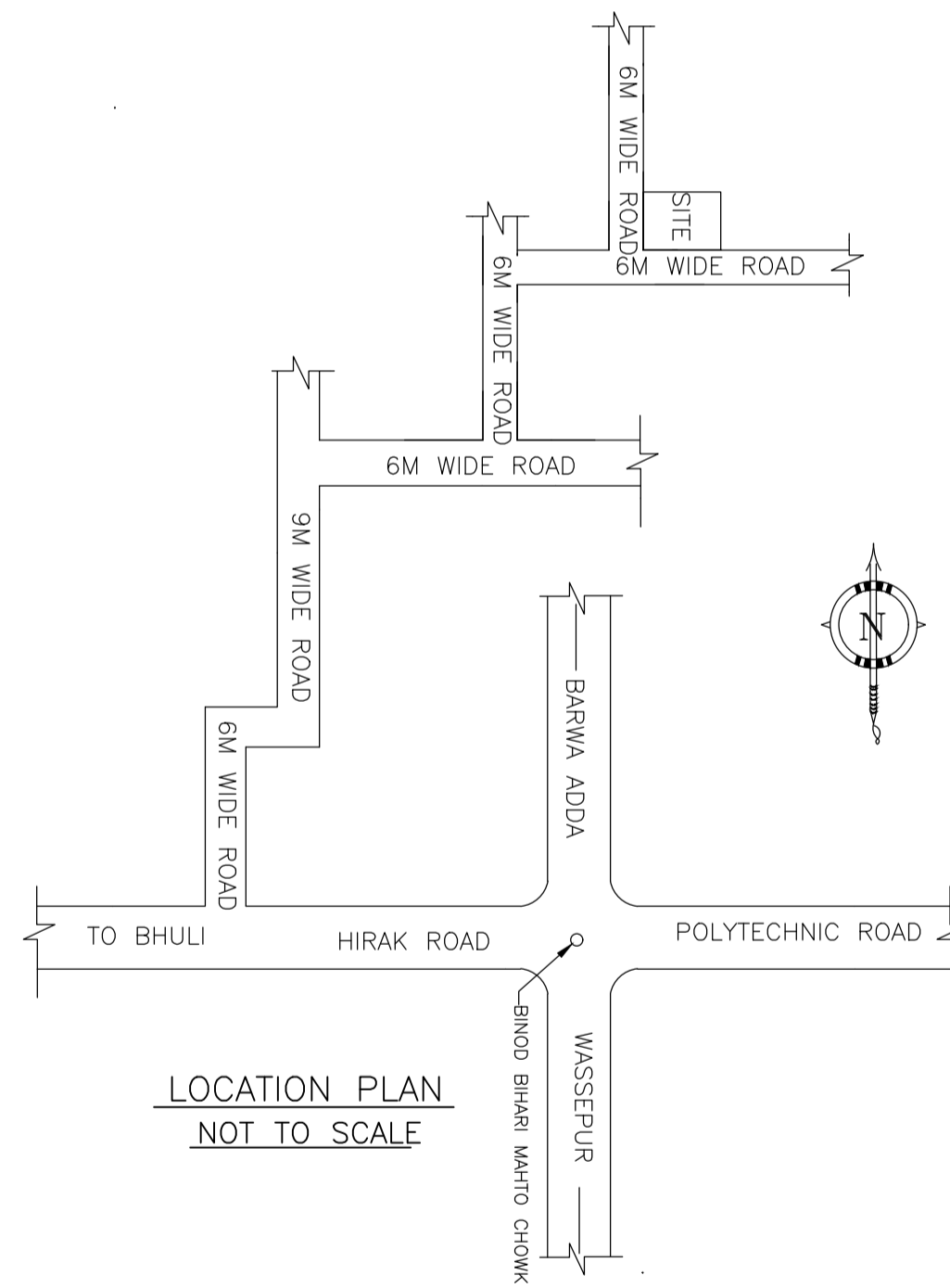
DETAILS DRAWING OF
RAIN WATER HARVESTING
SCALE:- 1"=2'-0"



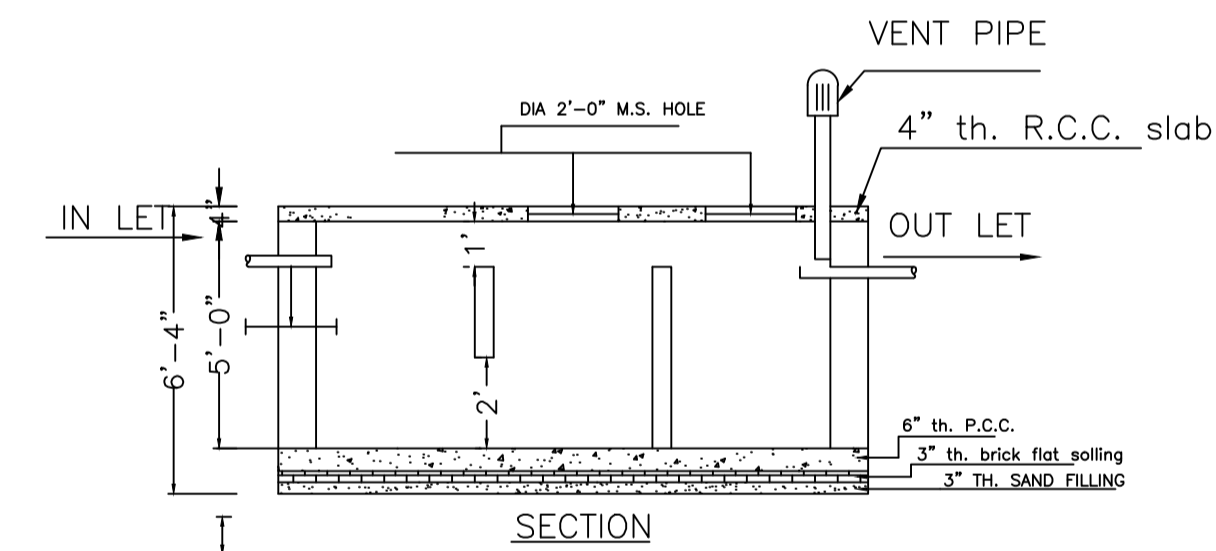
SECTION X-X
SCALE - 1" = 8'-0"



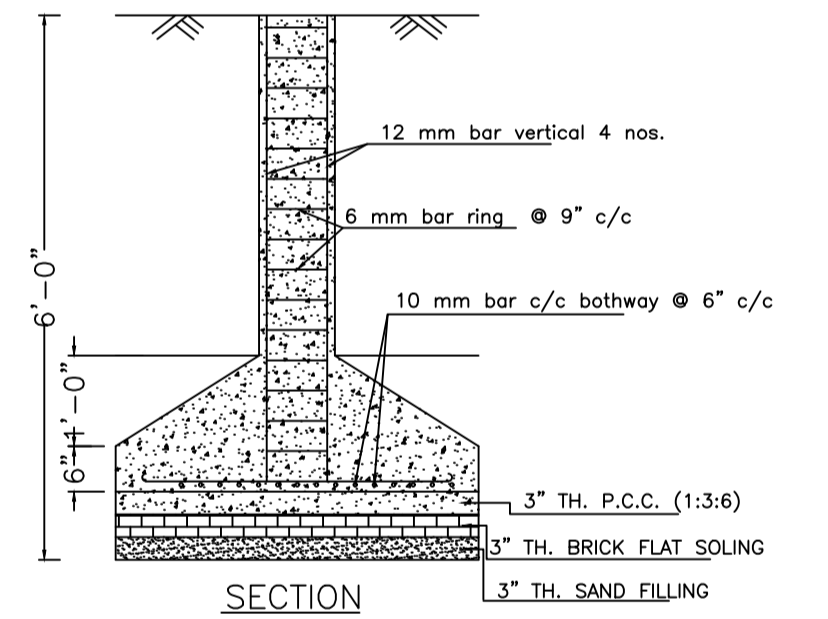
SECTION Y-Y
SCALE - 1" = 8'-0"



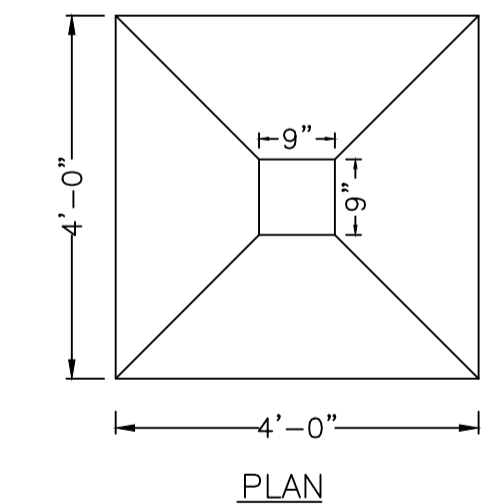
LOCATION PLAN
NOT TO SCALE



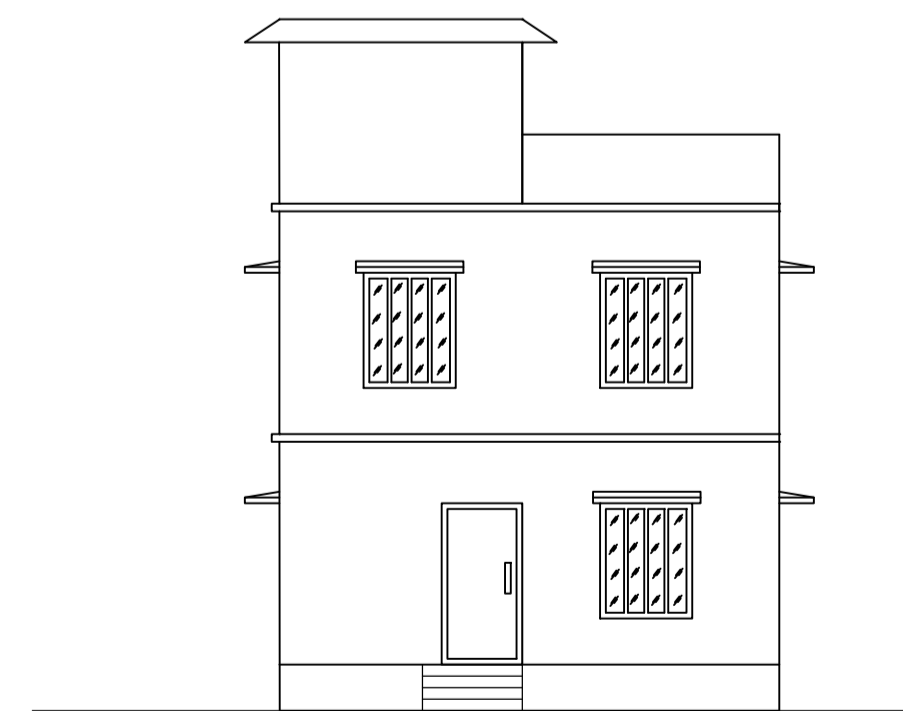
DETAILS OF SEPTIC TANK
SCALE - 1" = 4'-0"



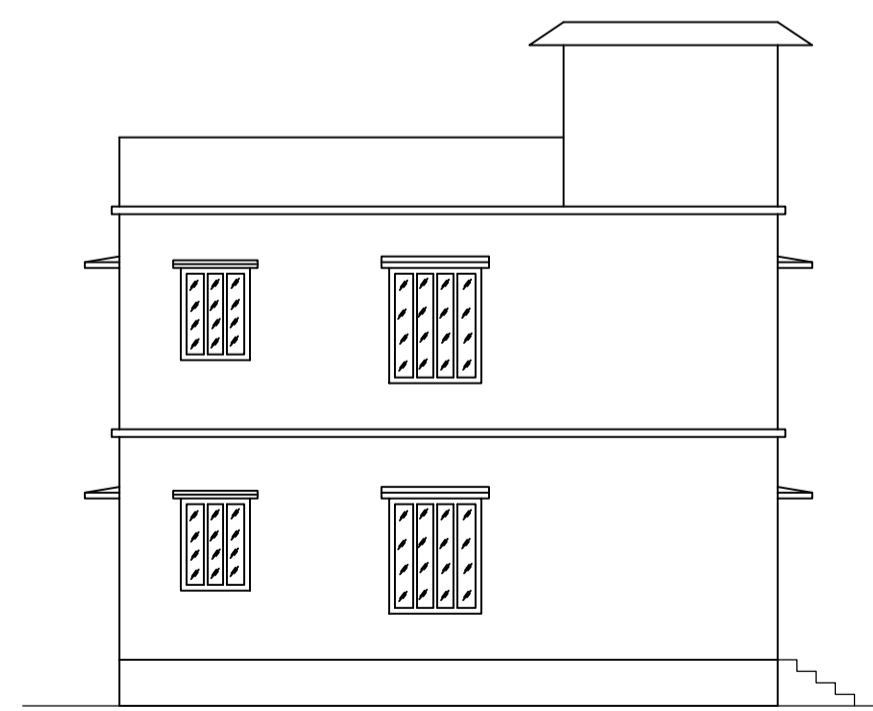
SECTION



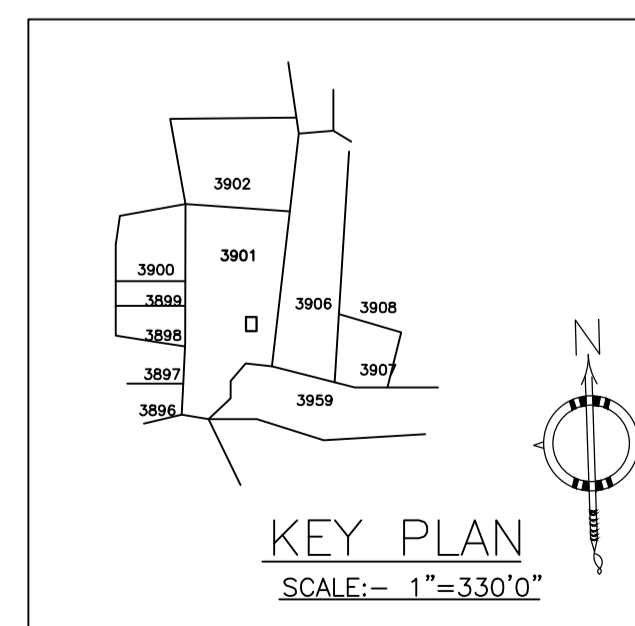
DETAILS OF COLUMN FOUNDATION
SCALE - 1" = 2'-0"



FRONT ELEVATION
SCALE - 1" = 8'-0"



LEFT SIDE ELEVATION
SCALE - 1" = 8'-0"



KEY PLAN
SCALE:- 1"=330'0"

LTP NAME AND SIGNATURE	STRUCTURAL ENG'S NAME AND SIGNATURE	BUILDER NAME AND SIGNATURE	DIGITAL SIGNATURE
RAM PRATAP SINGH MADA/ARC/0024/2019			