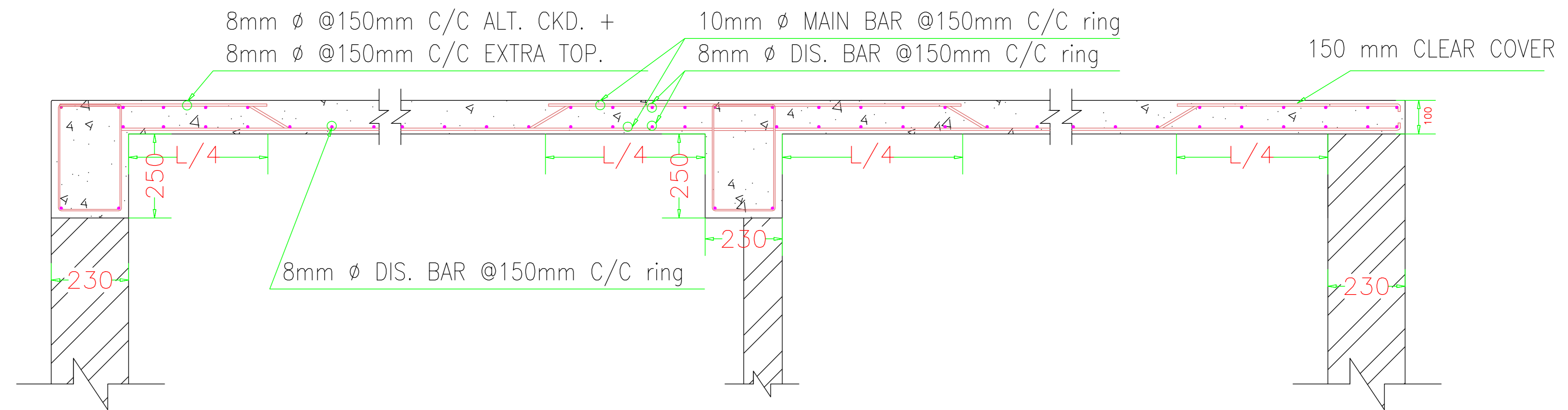
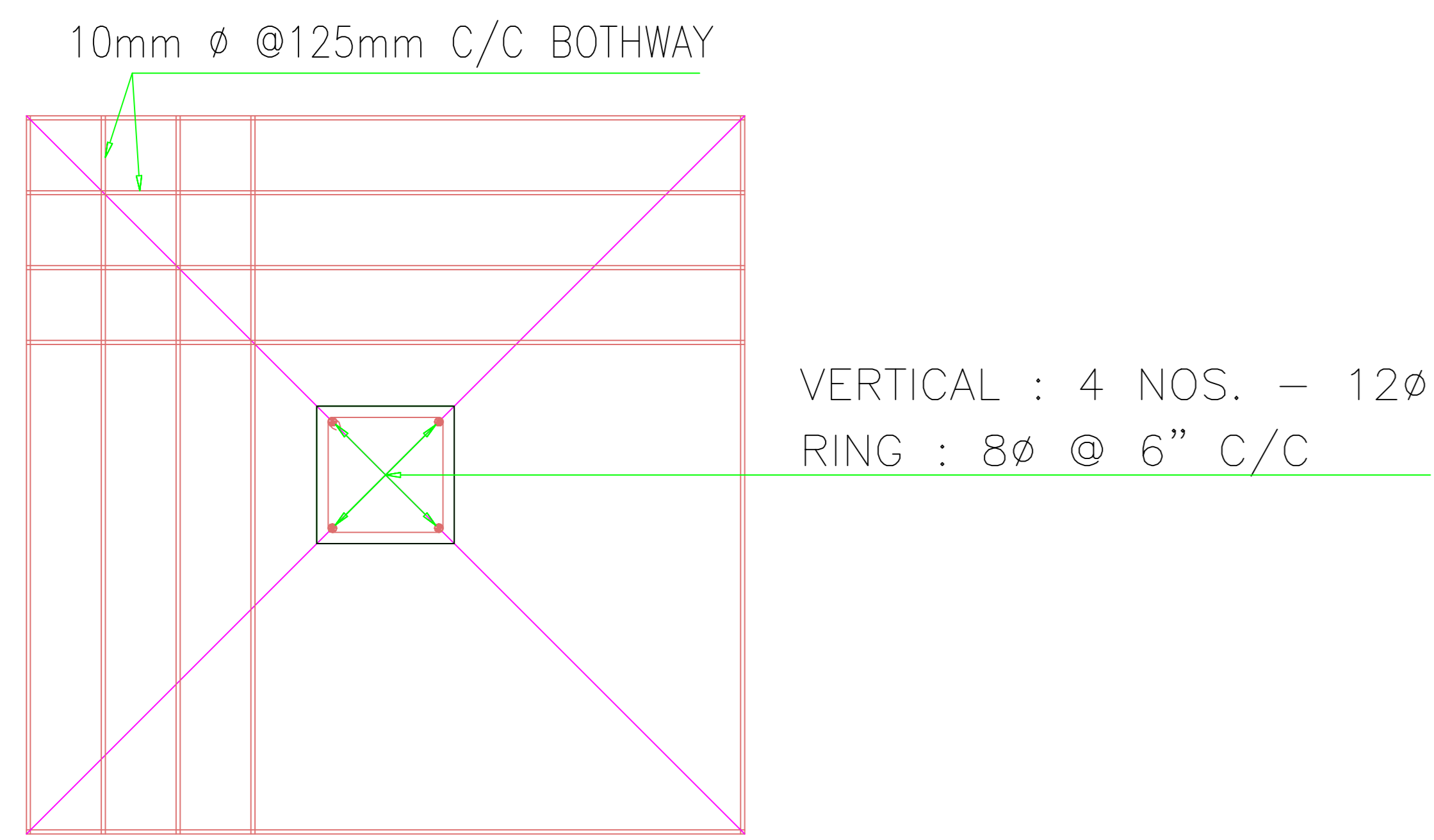
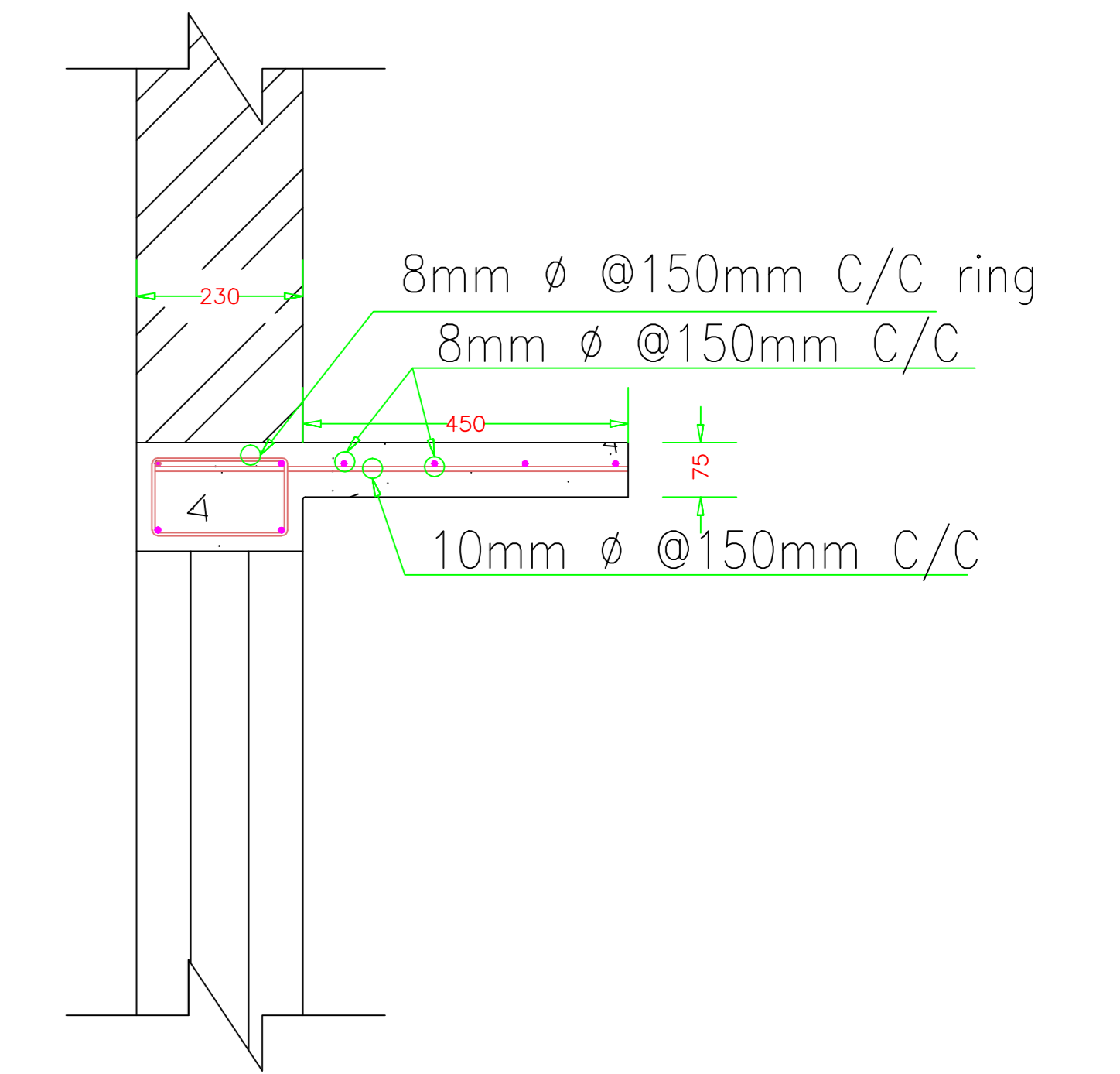


STRUCTURAL DESIGN SAFETY DETAILS.



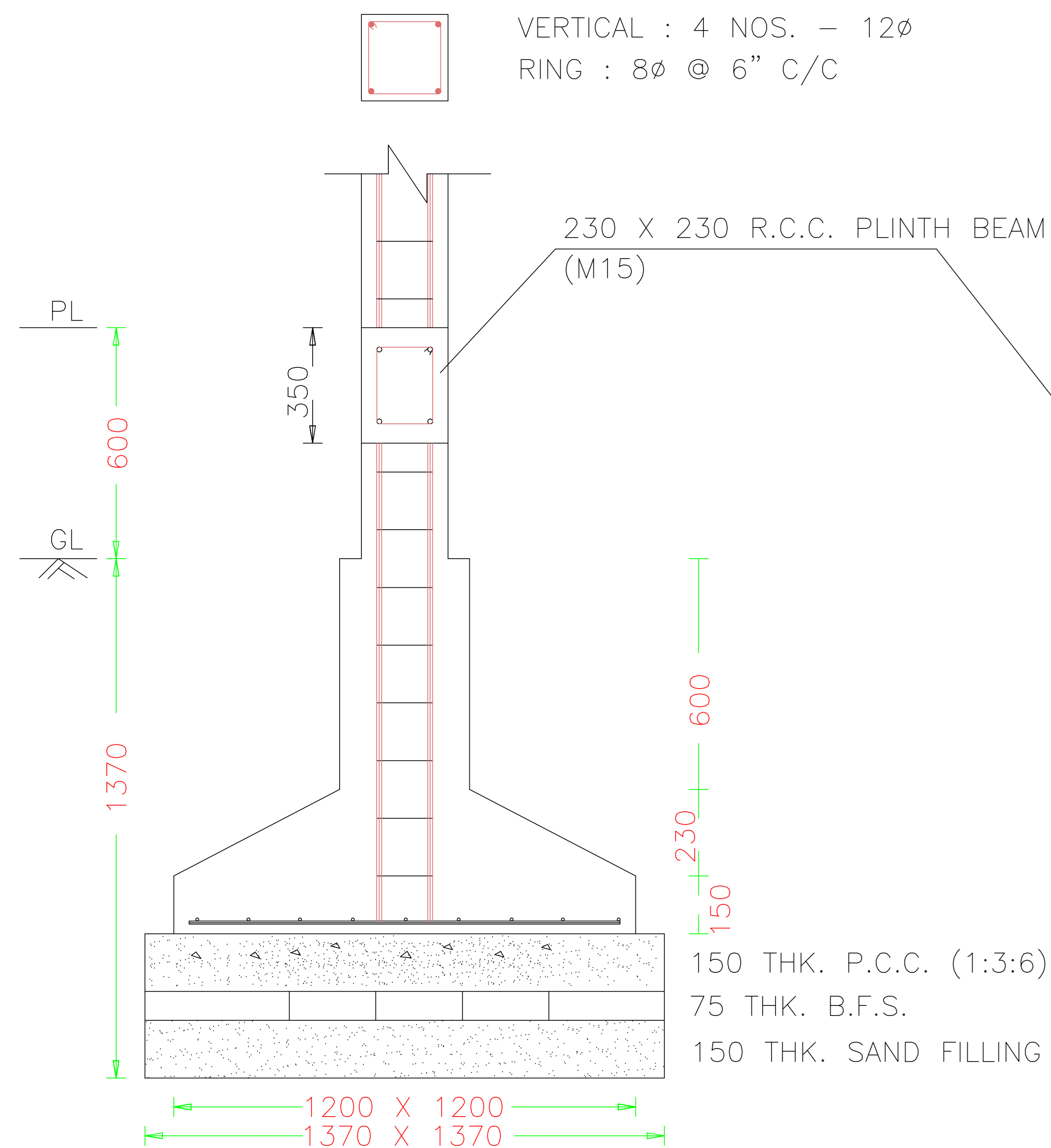
TYPICAL DET. OF R.C.C. SLAB

(Dim in mm)



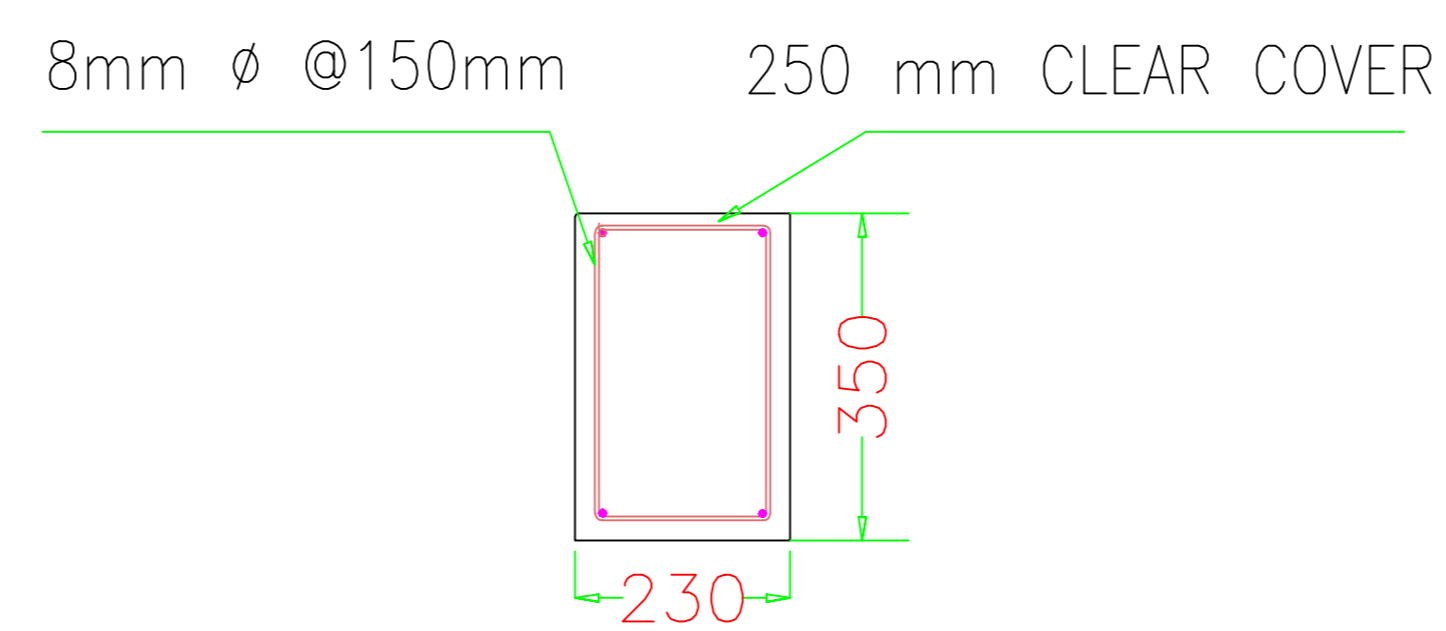
DET. OF R.C.C. CHAJJA

(Dim in mm)



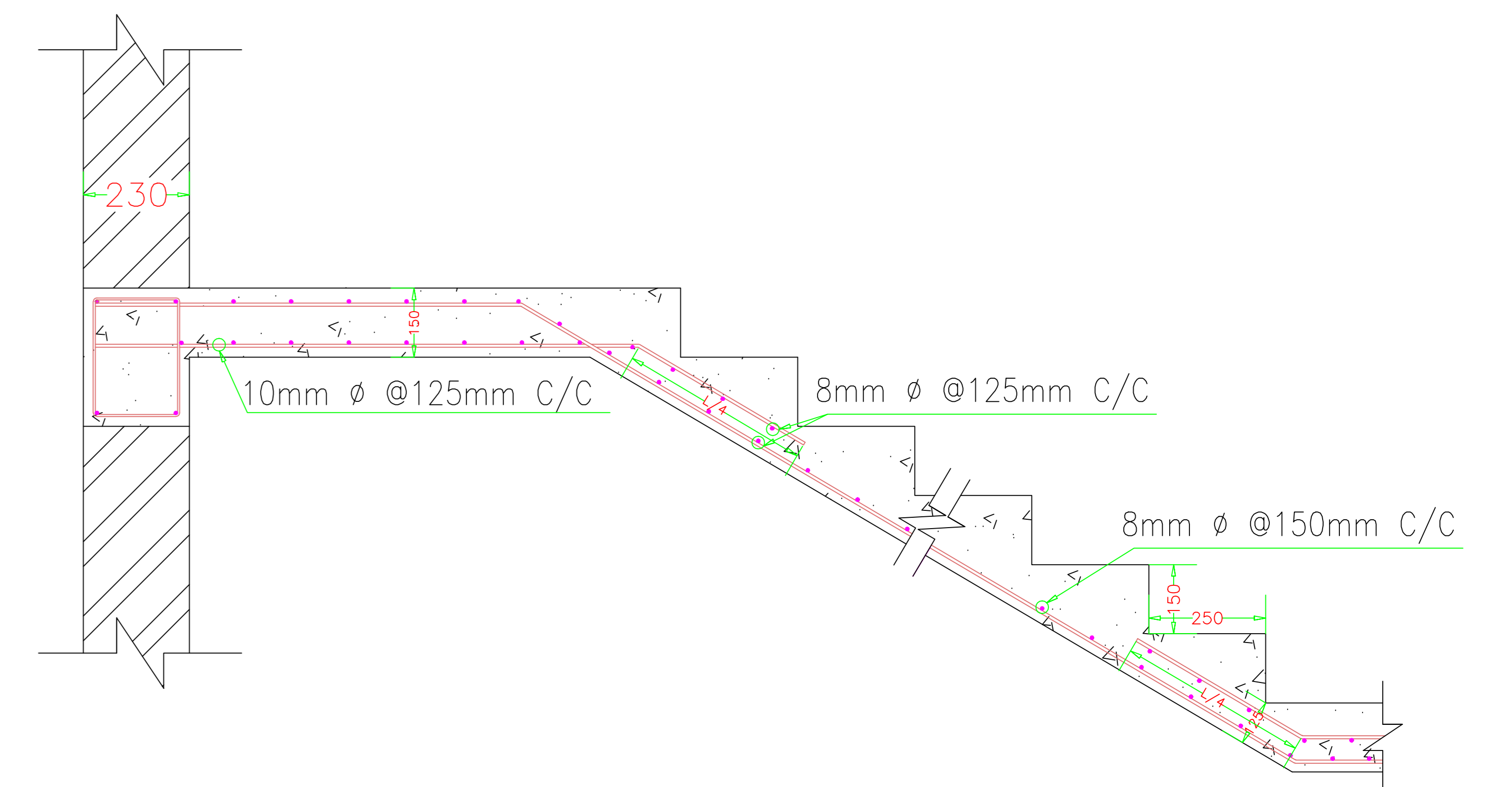
FOUNDATION DETAILS OF COLUMN

(Dim in mm)



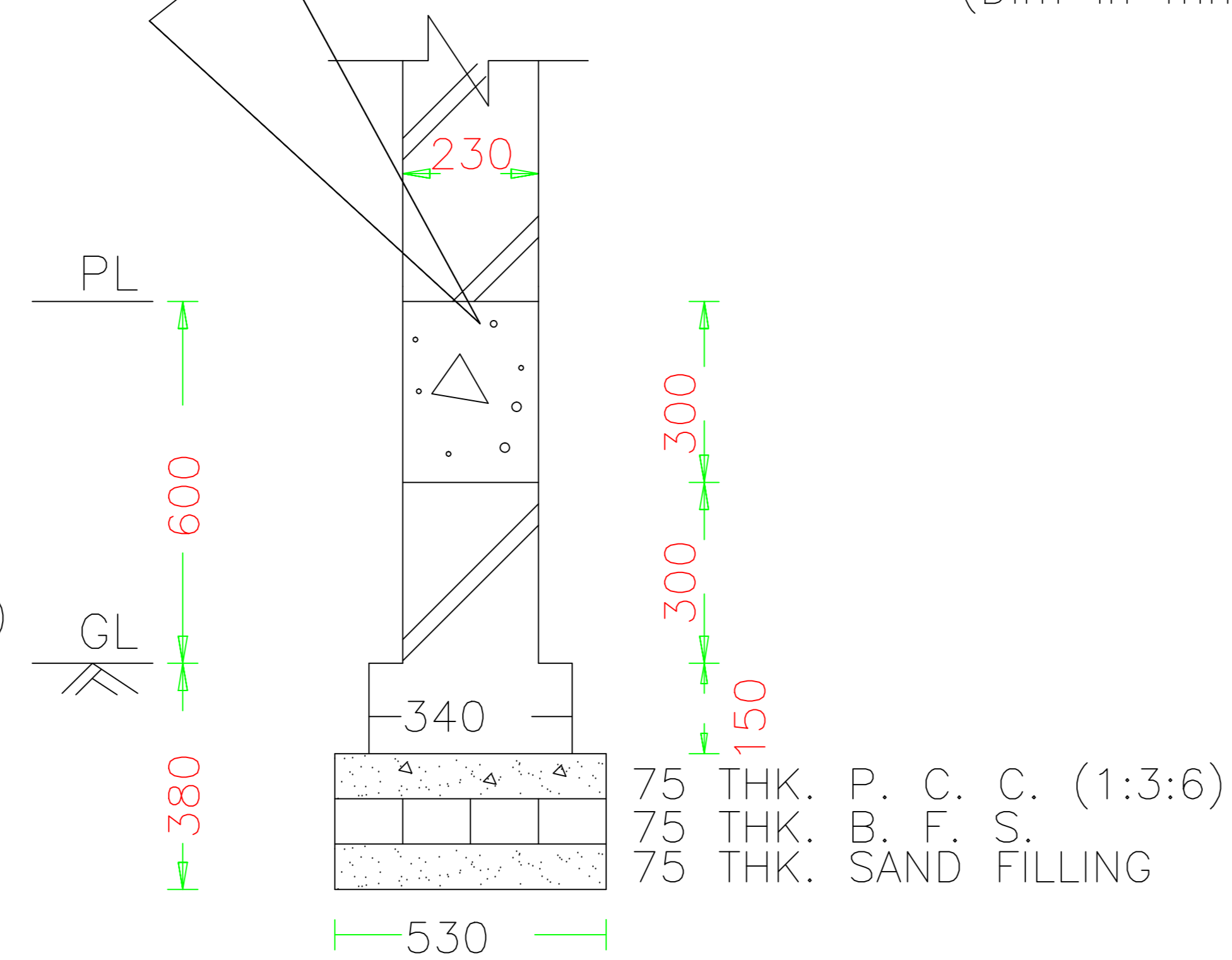
DET. OF R.C.C. BEAM

(Dim in mm)



DET. OF R.C.C. SRAIR

(Dim in mm)



FOUNDATION DETAILS OF WALL

(Dim in mm)

TITLE OF DRAWING

DRAWING OF PROPOSED RESIDENTIAL BUILDING OF (1) Sri SURENDRA SINGH. (2) Sri. SANJAY Kr. SINGH, S/o LATE CHHABI NATH SINGH, UNDER MOUZA:-BAWAKALA, MOUZA NO-228, KHATA. NO -196 (N) 58 (O), PLOT NO -396, 408, 409, 410 (N) 231, 243 (O), P.S - DHANBAD, DIST- DHANBAD, IN THE STATE OF JHARKHAND.