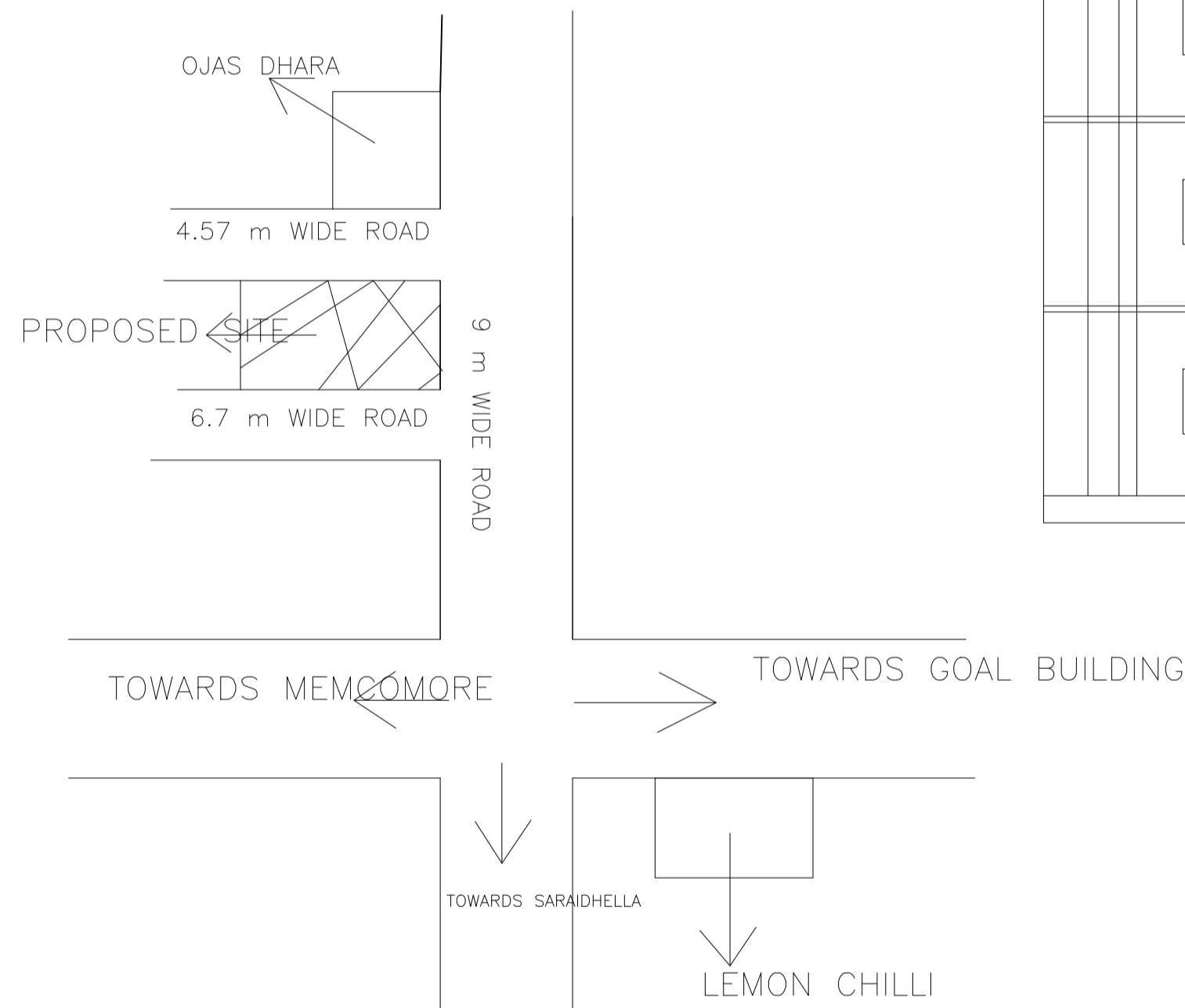
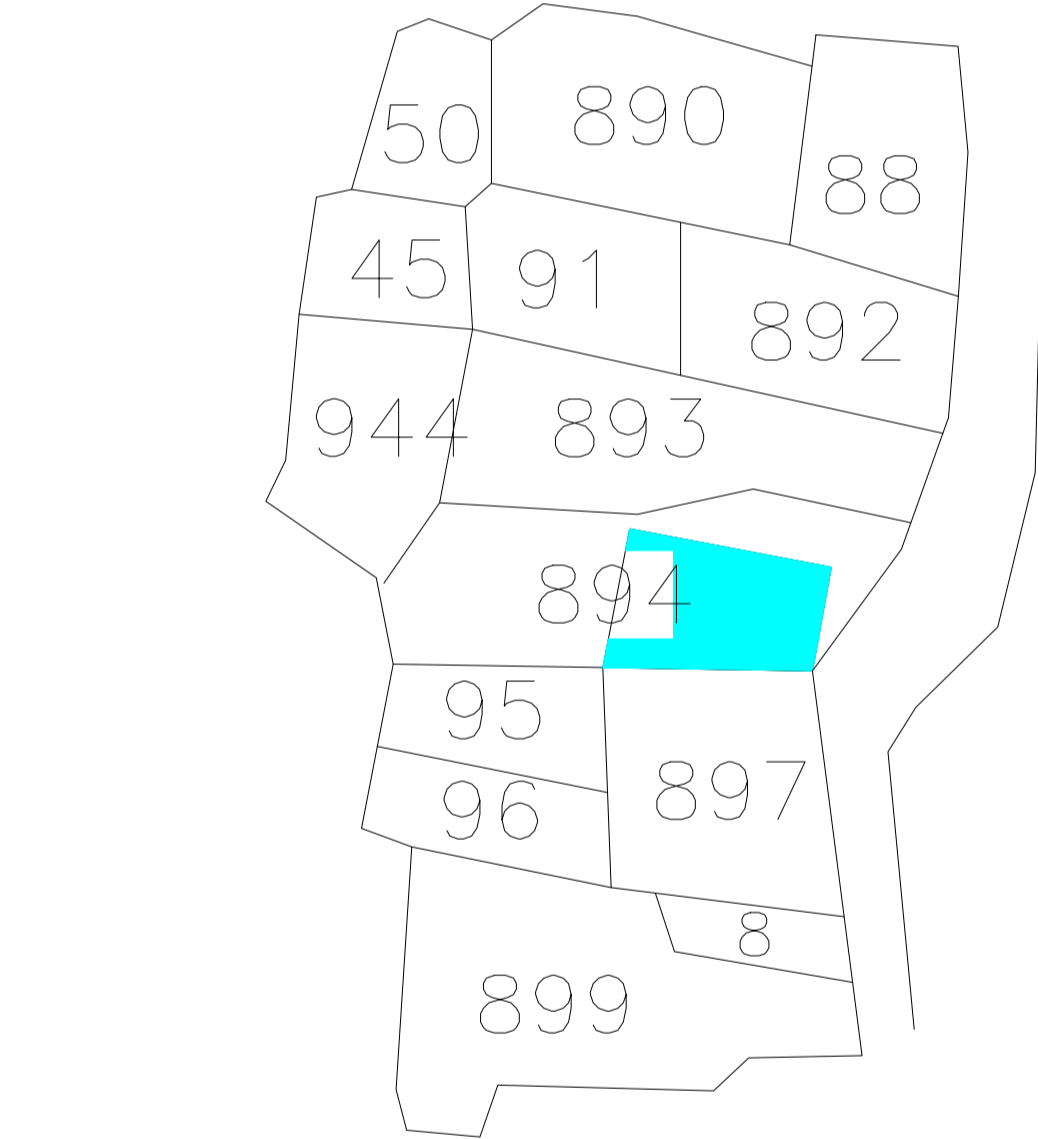
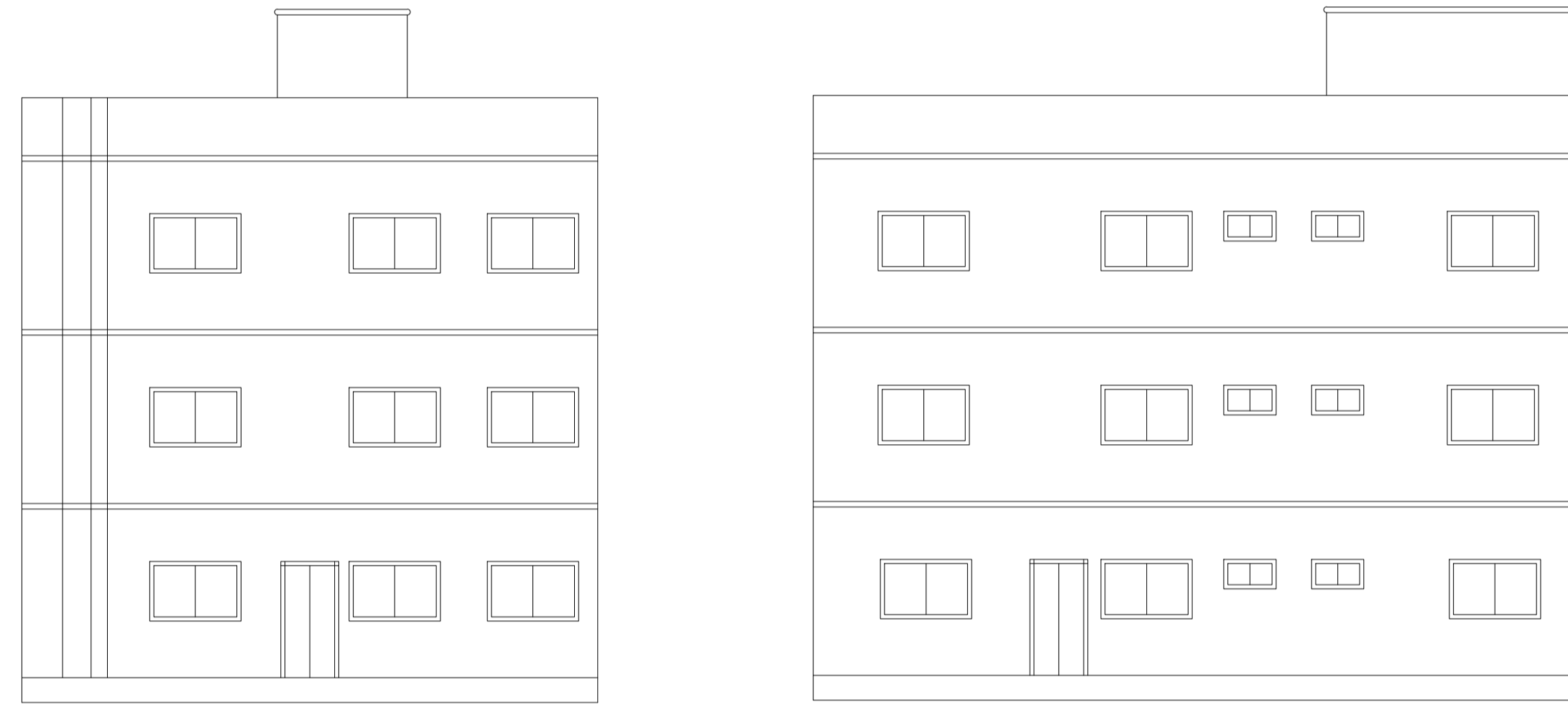
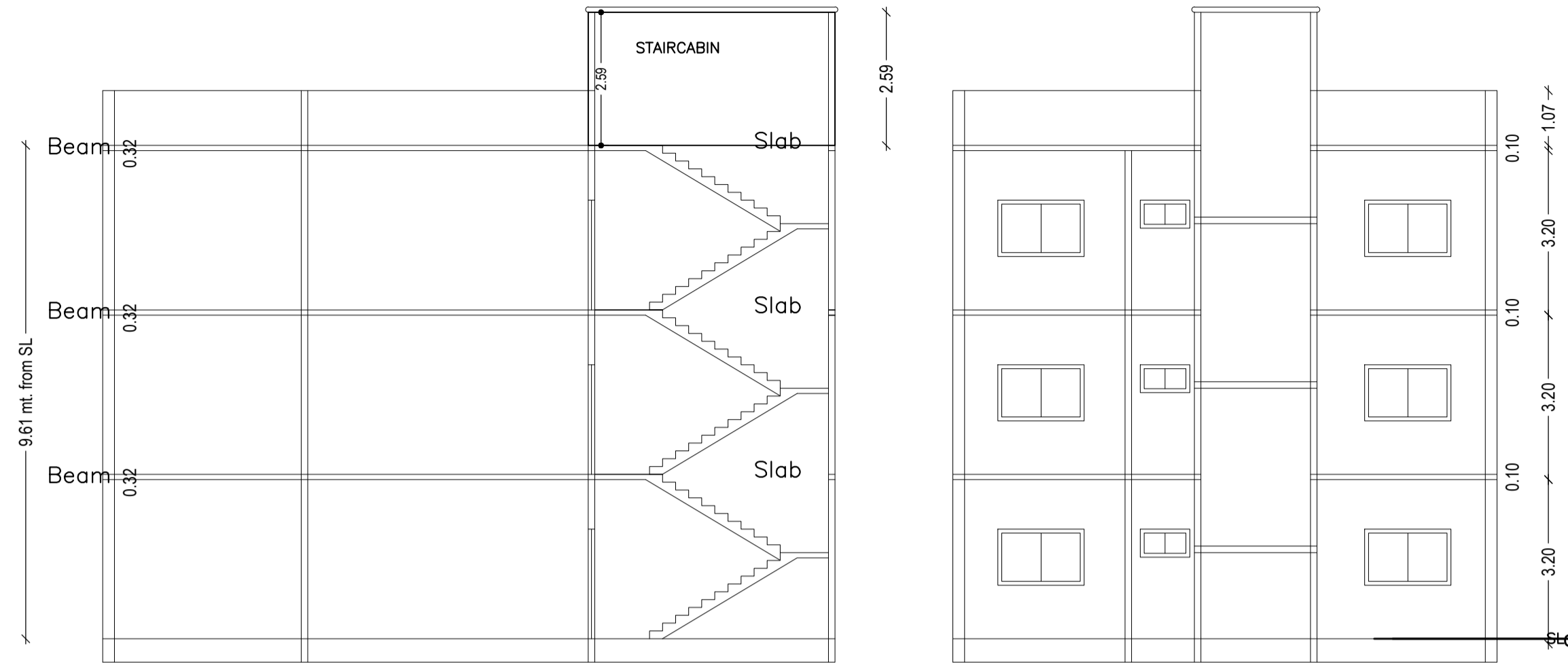
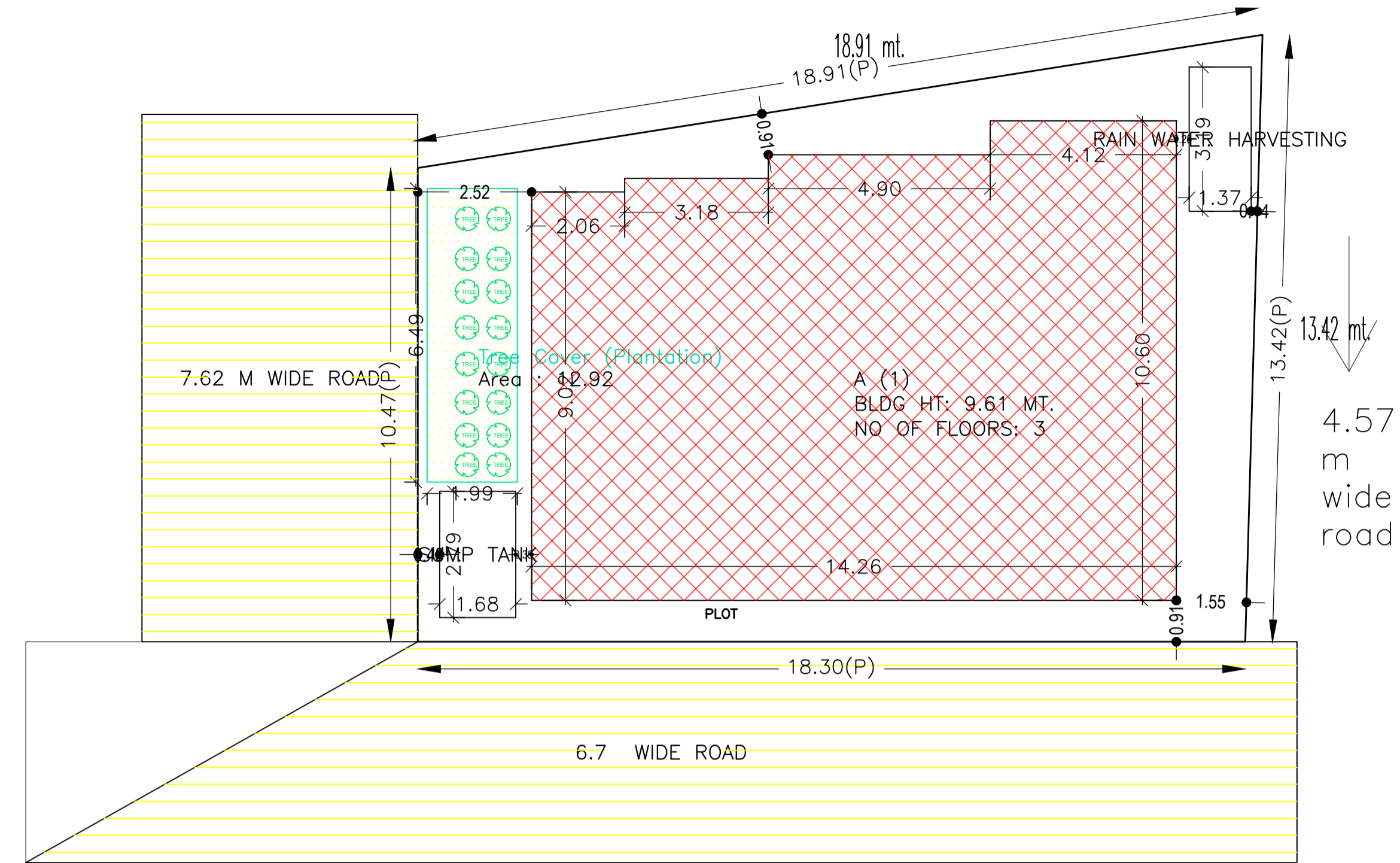


SITE PLAN



SCHEDULE OF DOOR:

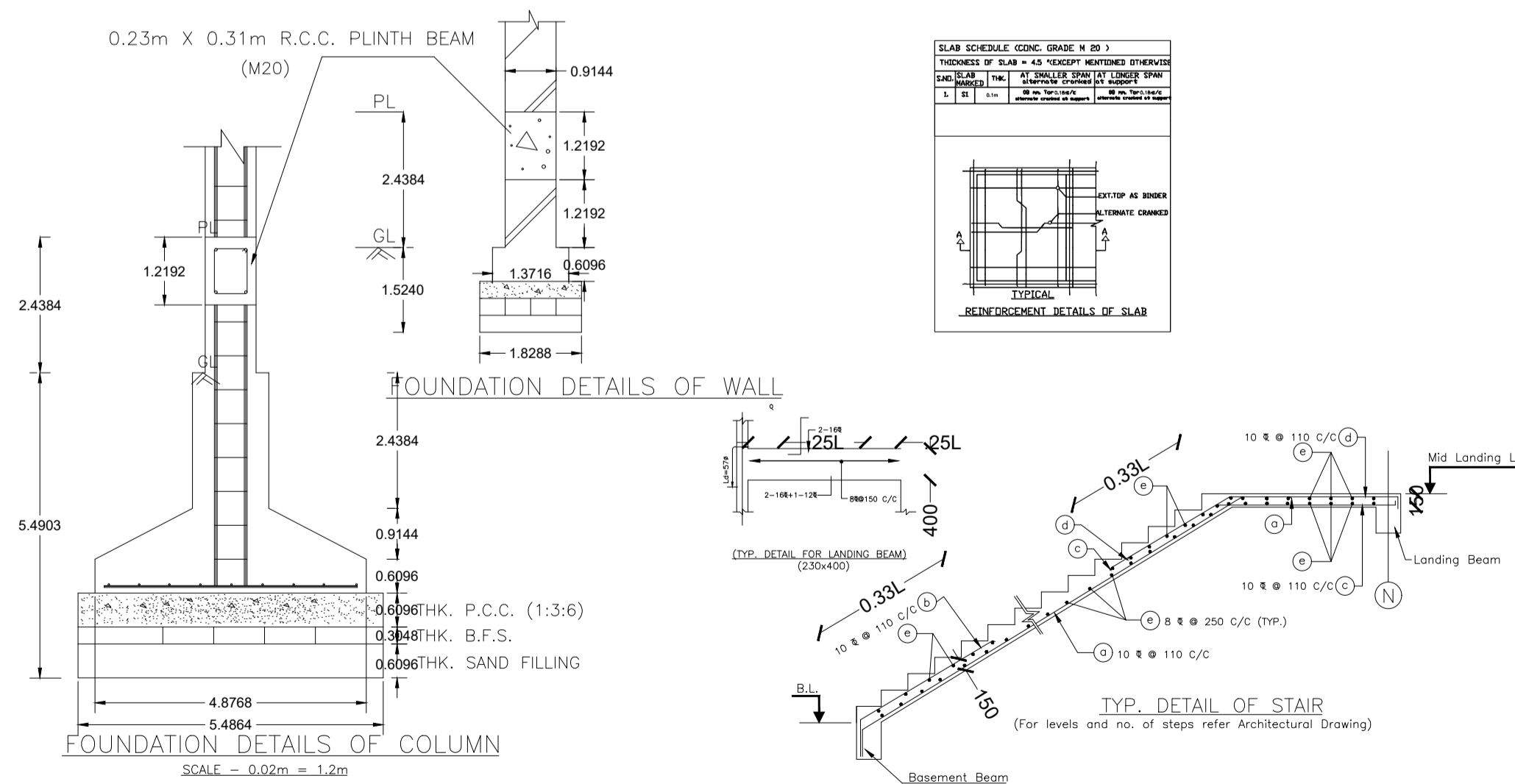
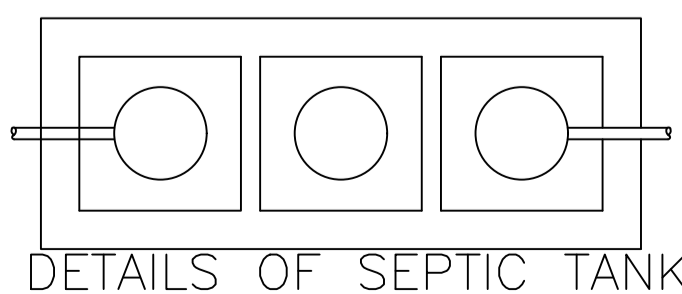
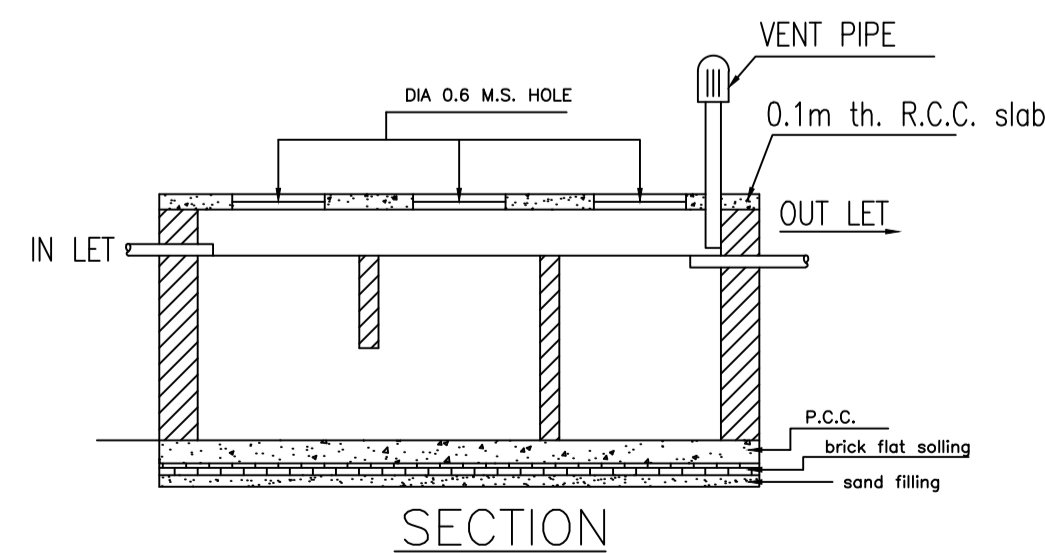
BUILDING NAME	NAME	LENGTH	HEIGHT	NOS
A (1)	D4	0.76	2.10	12
A (1)	D3	0.91	2.10	06
A (1)	D2	1.07	2.10	09
A (1)	D1	1.07	2.10	05

SCHEDULE OF WINDOW/VENTILATION:

BUILDING NAME	NAME	LENGTH	HEIGHT	NOS
A (1)	V1	0.60	0.60	09
A (1)	V2	0.60	0.60	03
A (1)	W1	1.20	1.20	30
A (1)	W2	1.80	1.20	06

Building :A (1)

Floor Name	Total Built Up Area (Sq.mt.)	Proposed FAR Area (Sq.mt.)	Total FAR Area (Sq.mt.)	Total Consumed Additional FAR Area (Sq.mt.)	Tnmt (No.)
Ground Floor	140.14	140.14	140.14	140.14	01
First Floor	140.14	140.14	140.14	140.14	00
Second Floor	140.14	140.14	140.14	140.14	00
Terrace Floor	0.00	0.00	0.00	0.00	00
Total :	420.42	420.42	420.42	420.42	01
Total Number of Same Buildings	1				
Total :	420.42	420.42	420.42	420.42	01



Proposal Basic Information

Proposal File No.	MADA/BP/0207/2022
Owner Name	Alok Kumar and Razzi Kumari
Khata No	24 ( New 113)
Plot No	894 ( new : 717)
Village Name	Bagula
Use	Residential
SubUse	Bungalow/ Dwelling / Non Apartment

AREA STATEMENT MINERAL		VERSION NO. : 1.0.62
AREA DEVELOPMENT AUTHORITY		VERSION DATE: 16/10/2020
PROJECT DETAIL:		
Region : JHARKHAND URBAN LOCAL BODIES	Plot Use: Residential	
District: DHANBAD	Plot SubUse: Bungalow/ Dwelling / Non Apartment	
Authority: MINERAL AREA DEVELOPMENT AUTHORITY	Plot/Nearby/ReligiousStructure: NA	
Inward_No: MADA/BP/0207/2022	Plot/SubPlot No: 894 ( new : 717)	
Application Type: General Proposal	North: Road Width - 6.7	
Project Type: Building Permission	South: Plot No. - 897	
Nature of Development: New	East: Road Width - 9	
	West: Road Width - 4.57	
AREA DETAILS:		
AREA OF PLOT (Minimum)	(A)	SQ.MT. 220.45
NET AREA OF PLOT(Gross Plot Area - Deduction from Gross Plot area)	(A-Deductions)	220.45
Deduction for Balance Plot Area(from Gross Plot Area)		
Common Plot		12.92
Total		12.92
BALANCE AREA OF PLOT(Net Plot Area - Recreational/Amenity space)	(A-Deductions)	207.53
PLOT AREA FOR COVERAGE(Net Plot Area)	(A-Deductions)	220.45
Plot Area for FAR (Net Plot Area + Road/Widening Area)	(A-Deductions)	220.45
COVERAGE CHECK		
Permissible Coverage area ( 70.00 % )		154.32
Proposed Coverage Area ( 63.57 % )		140.14
Total Prop. Coverage Area ( 63.57 % )		140.14
Balance coverage area ( 6.43 % )		14.18
FAR CHECK		
Perm. FAR Area ( 2.50 )		551.13
Total Perm. FAR area		551.13
Residential FAR		420.41
Proposed FAR Area		420.41
Total Proposed FAR Area		420.41
Consumed FAR (Factor)		1.91
Balance FAR Area		130.72
BUILT UP AREA CHECK		
Total Proposed BuiltUp Area		420.42
ARCHITECT (Regd) Sushil Kumar		
ENGINEER (Regd)		
SUPERVISOR (Regd)		
OWNER (Regd) Alok Kumar and Razzi Kumari		
DEVELOPMENT AUTHORITY		LOCAL BODY

COLOR INDEX

PLOT BOUNDARY	Black
ABUTTING ROAD	Red
PROPOSED CONSTRUCTION	Green
COMMON PLOT	Yellow
ROAD WIDENING AREA	Blue
EXISTING (To be retained)	Orange
EXISTING (To be demolished)	Grey

Buildingwise Floor FAR Details

Floor Name	Building Name A (1)		Total	
	Proposed Built Up Area (Sq.mt.)	Proposed FAR Area (Sq.mt.)	Total Proposed Built Up Area (Sq.mt.)	Total FAR Area (Sq.mt.)
Ground Floor	140.14	140.14	140.14	140.14
First Floor	140.14	140.14	140.14	140.14
Second Floor	140.14	140.14	140.14	140.14
Terrace Floor	0.00	0.00	0.00	0.00
Total :	420.42	420.42	420.42	420.42

Building USE/SUBUSE Details

Building Name	Building Use	Building SubUse	Building Structure
A (1)	Residential	Bungalow/ Dwelling / Non Apartment	Non-Highrise

UnitBUA Table for Building :A (1)

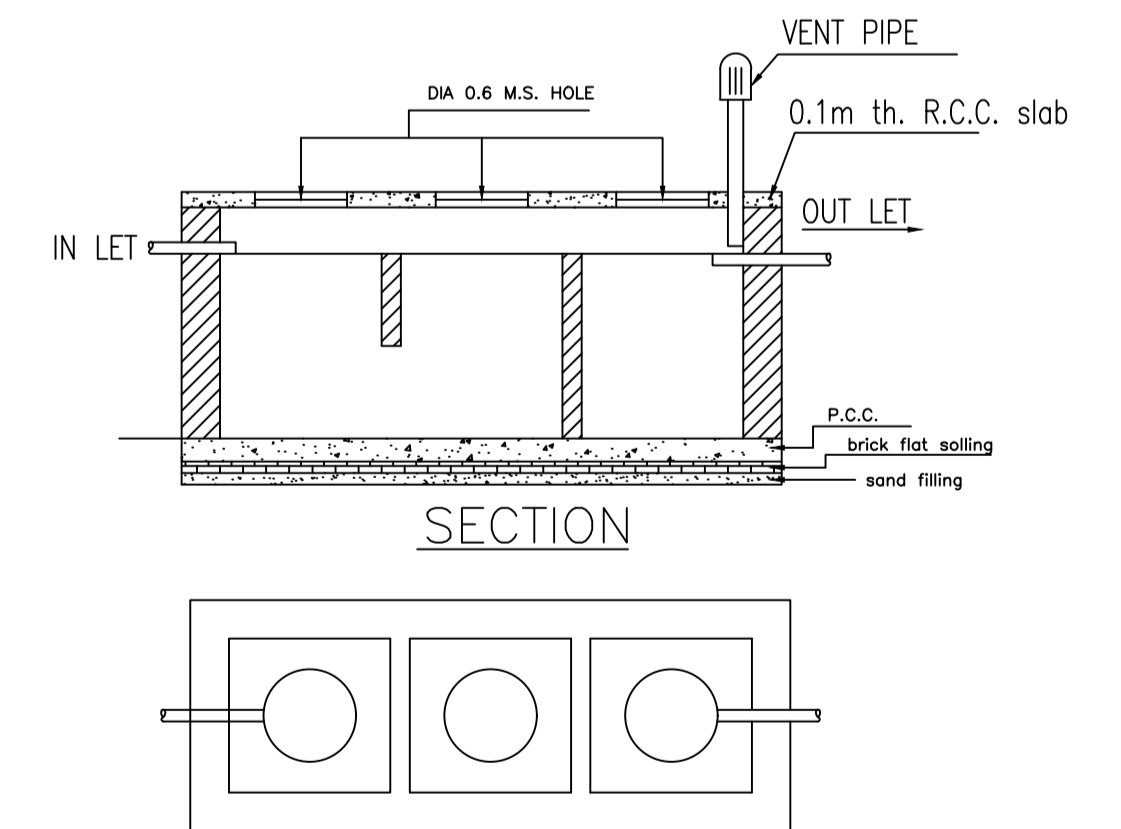
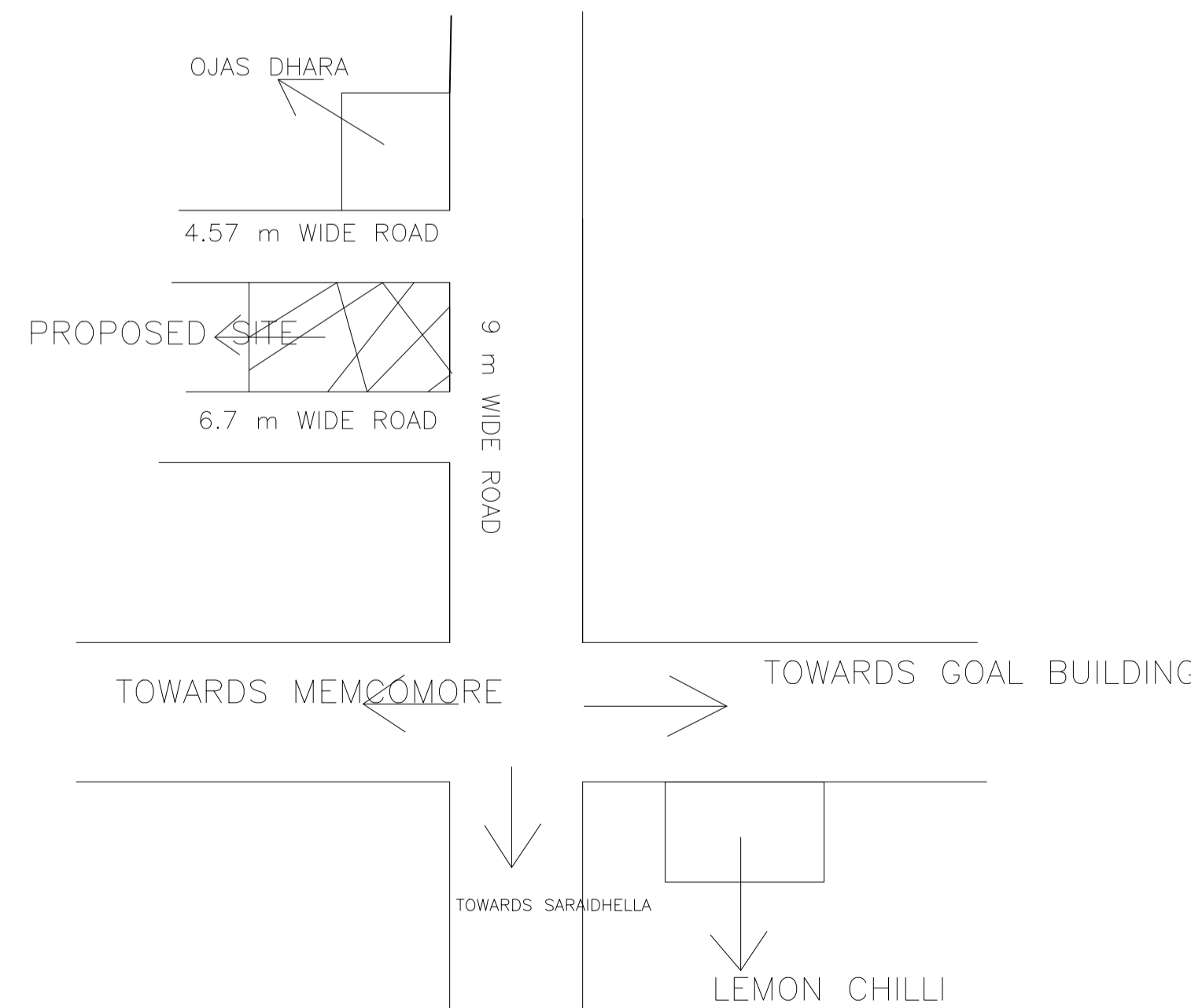
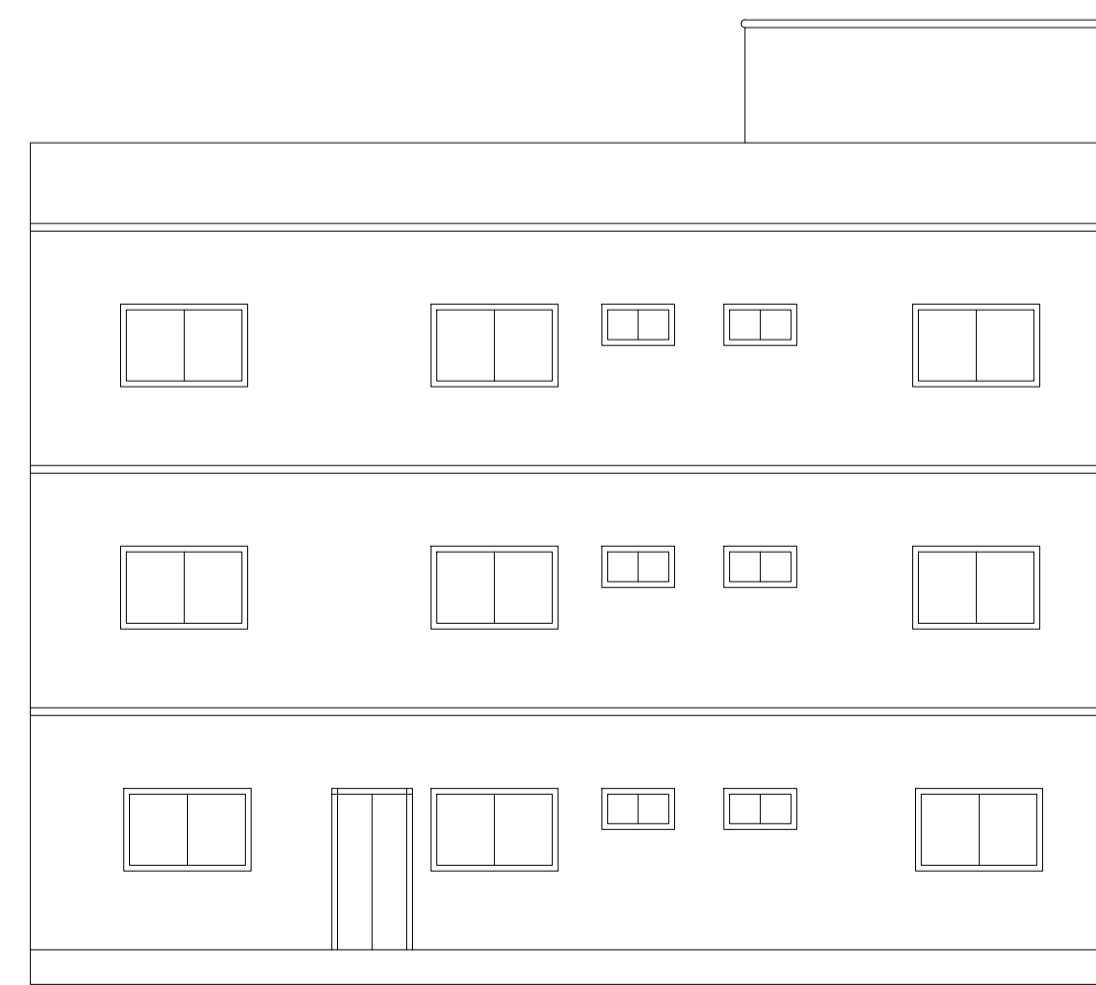
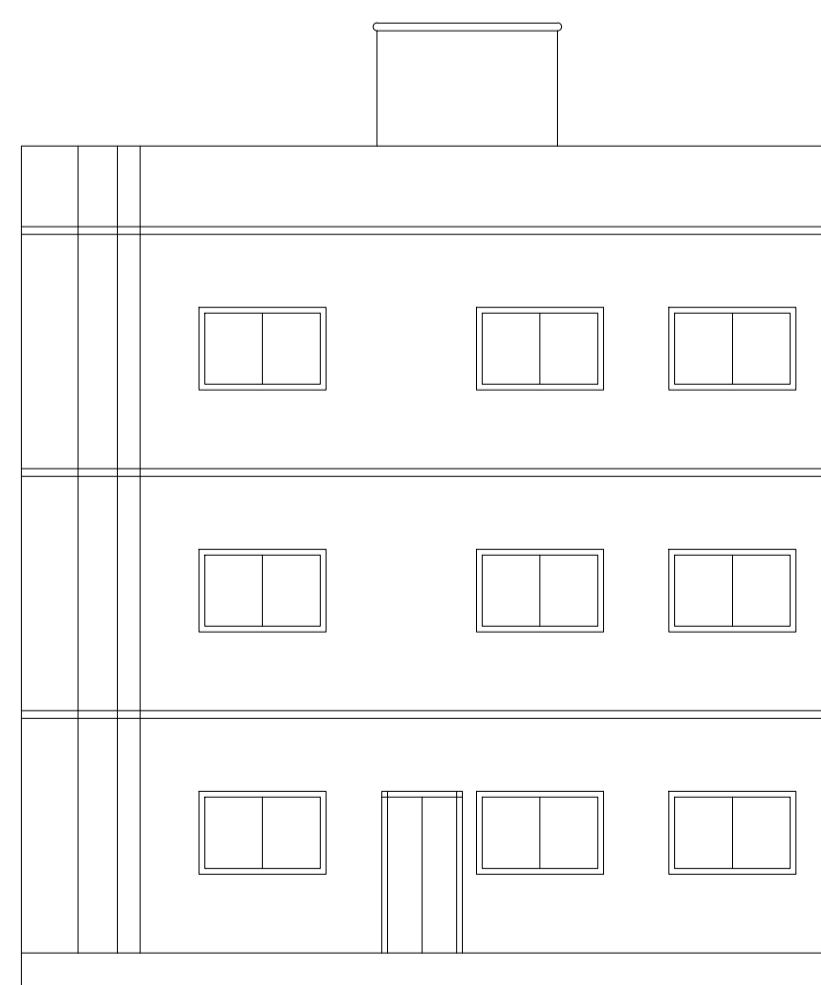
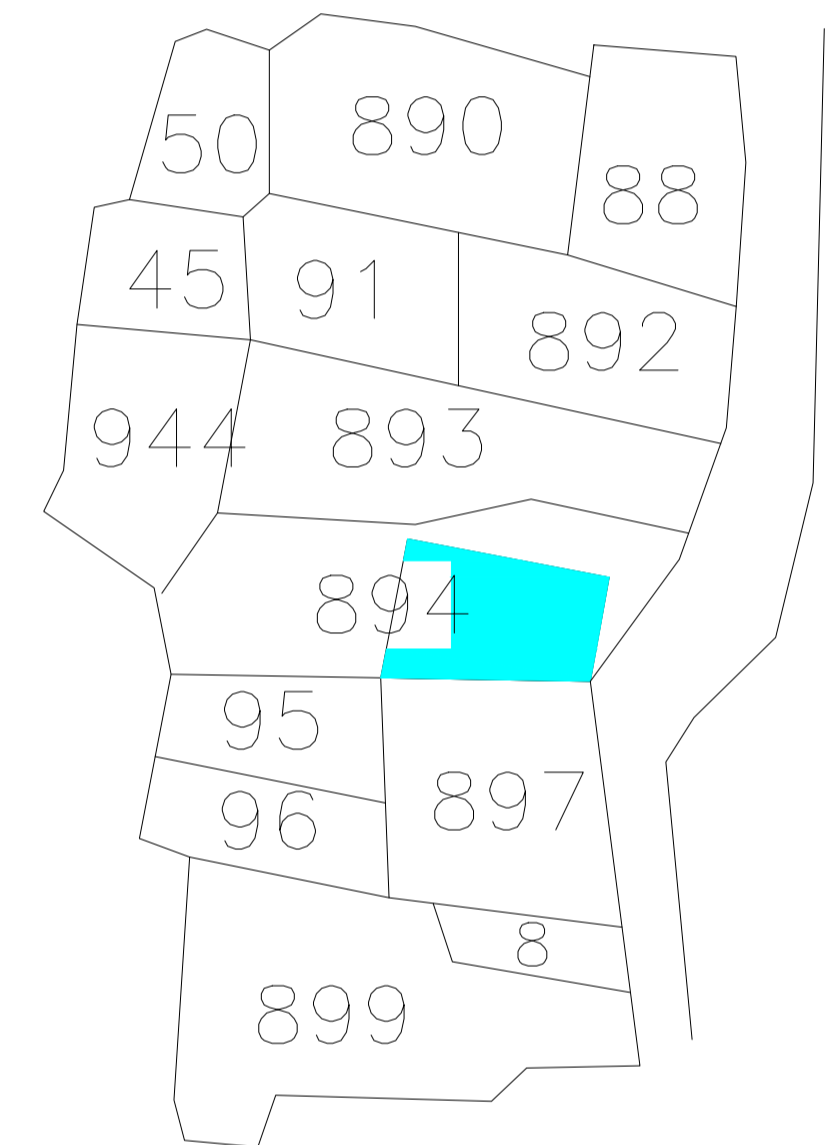
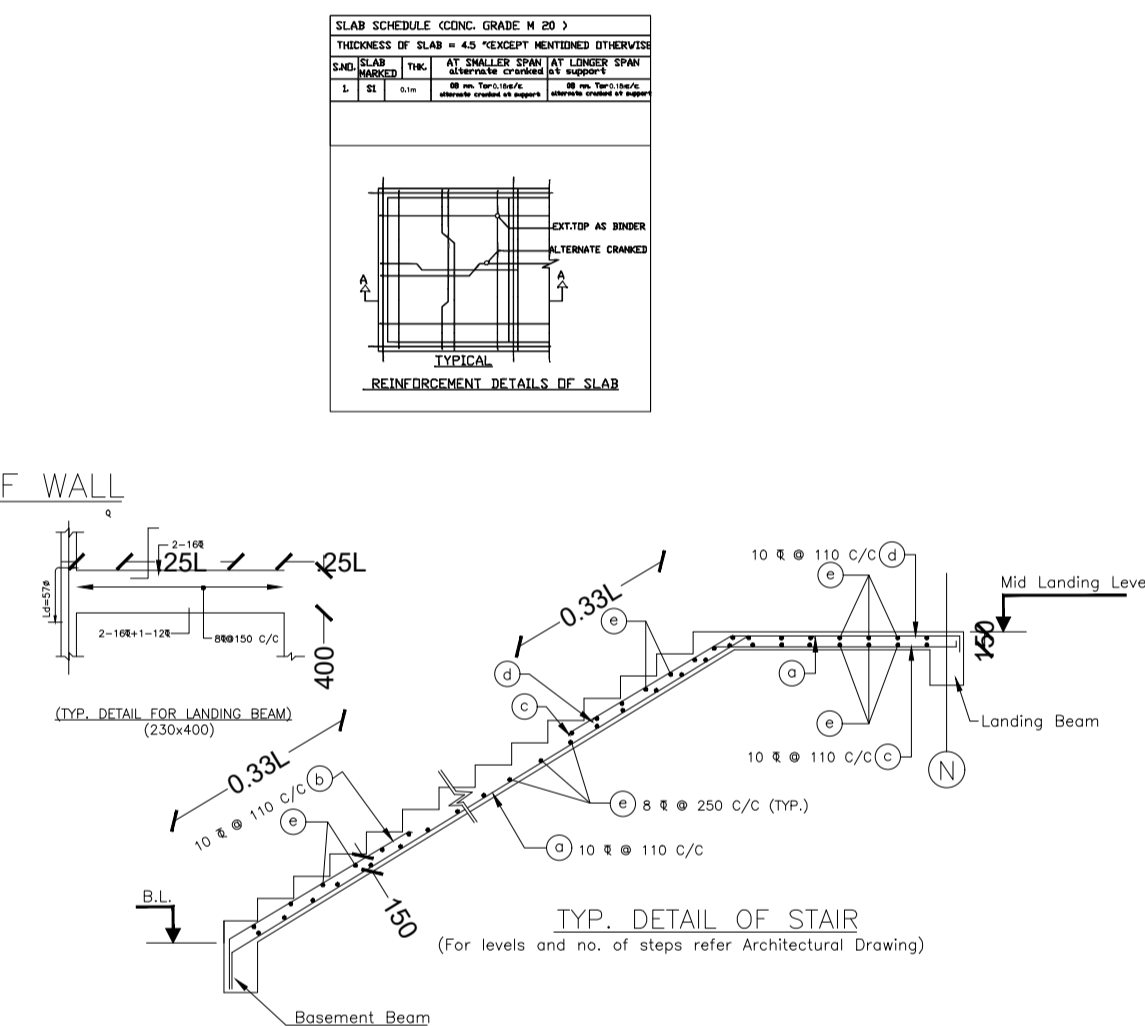
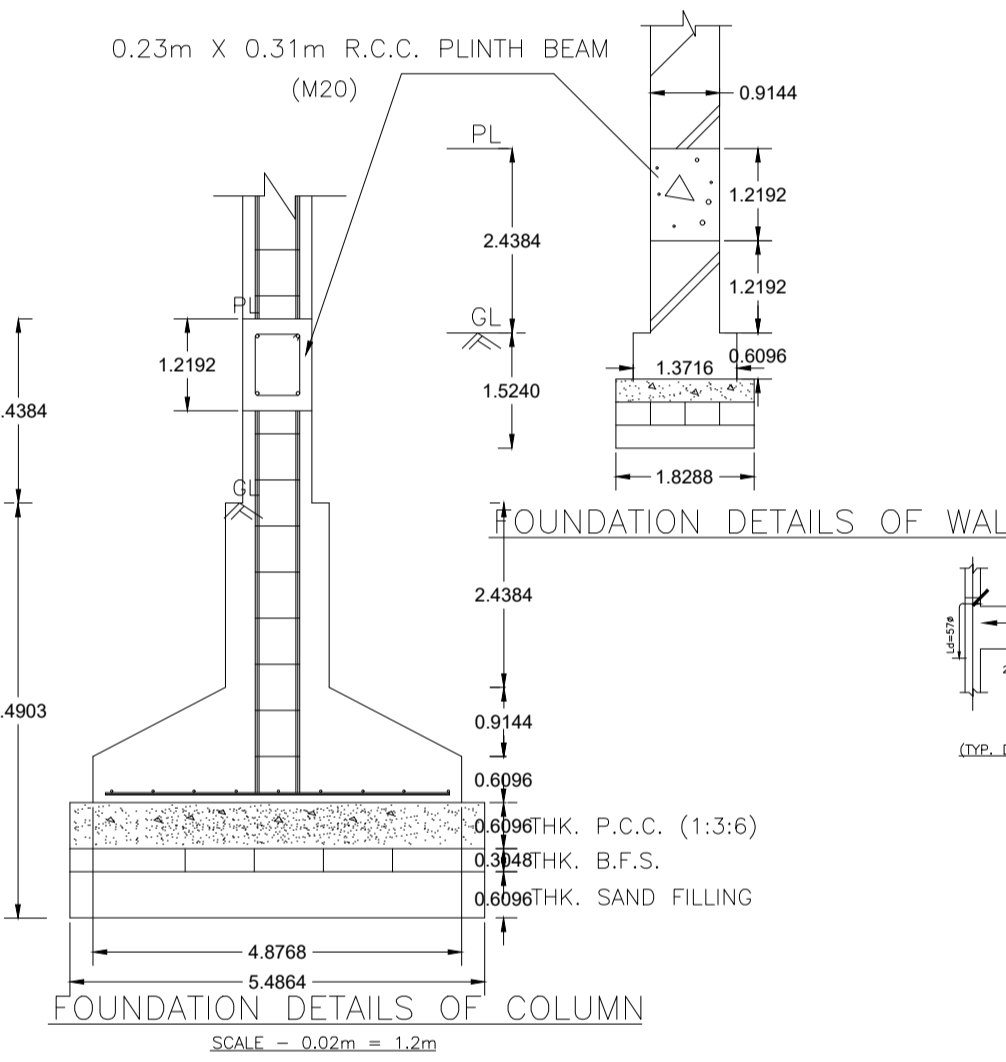
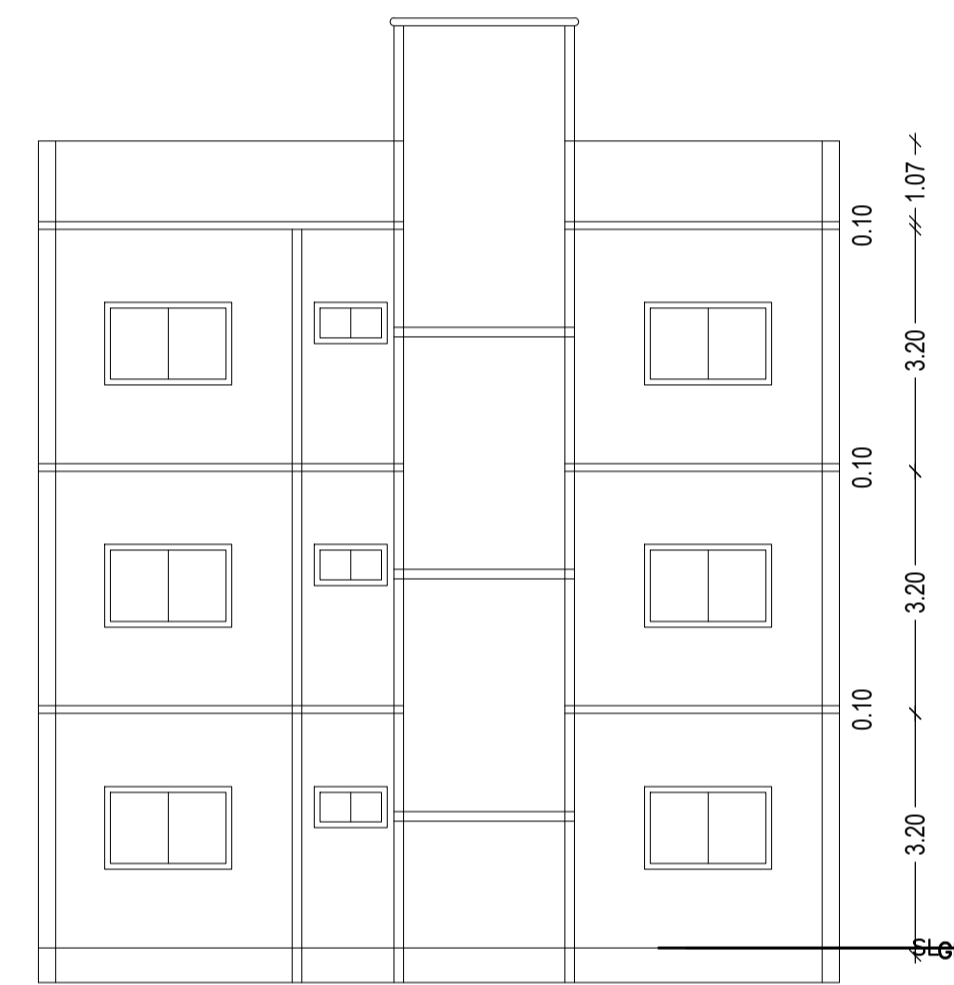
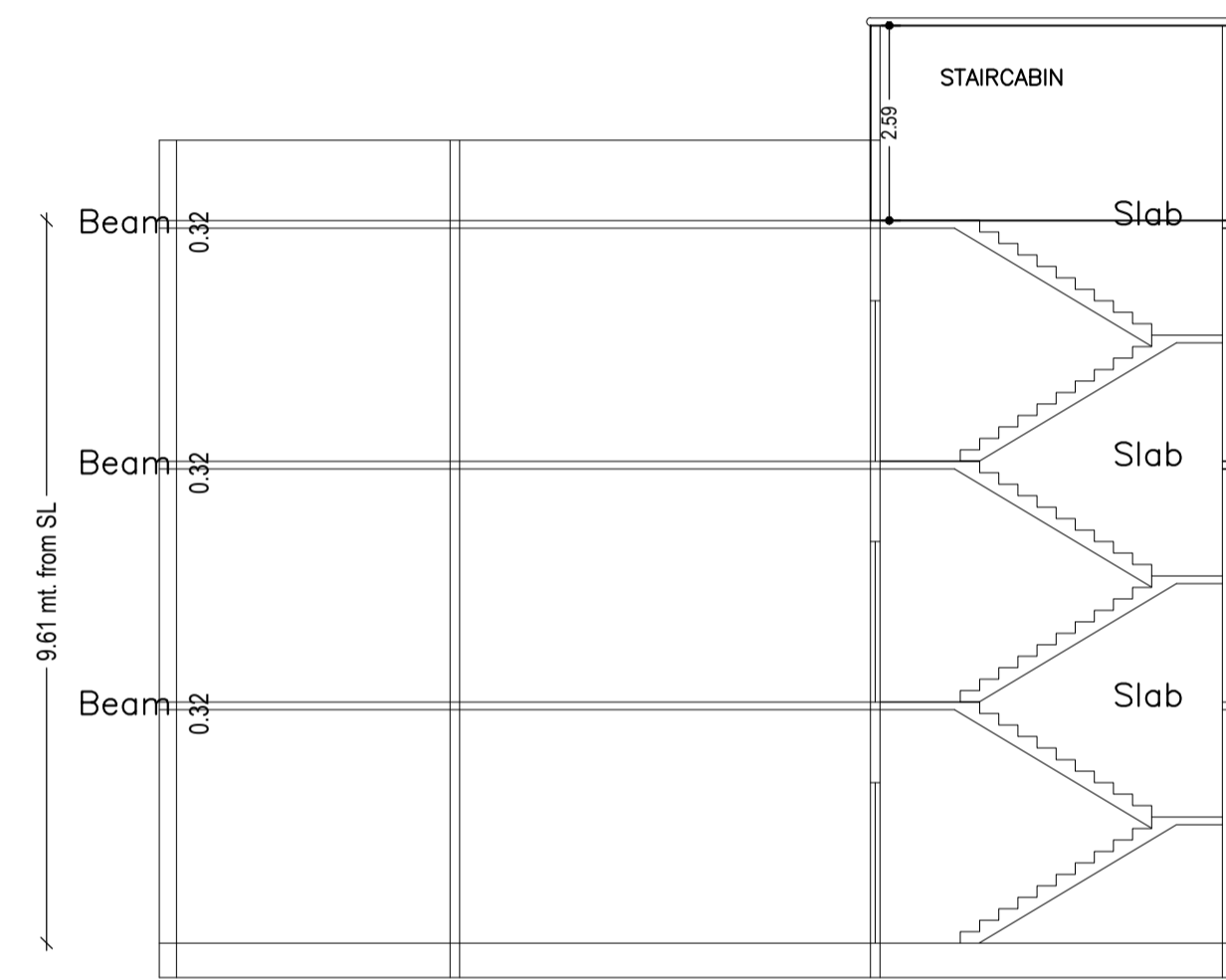
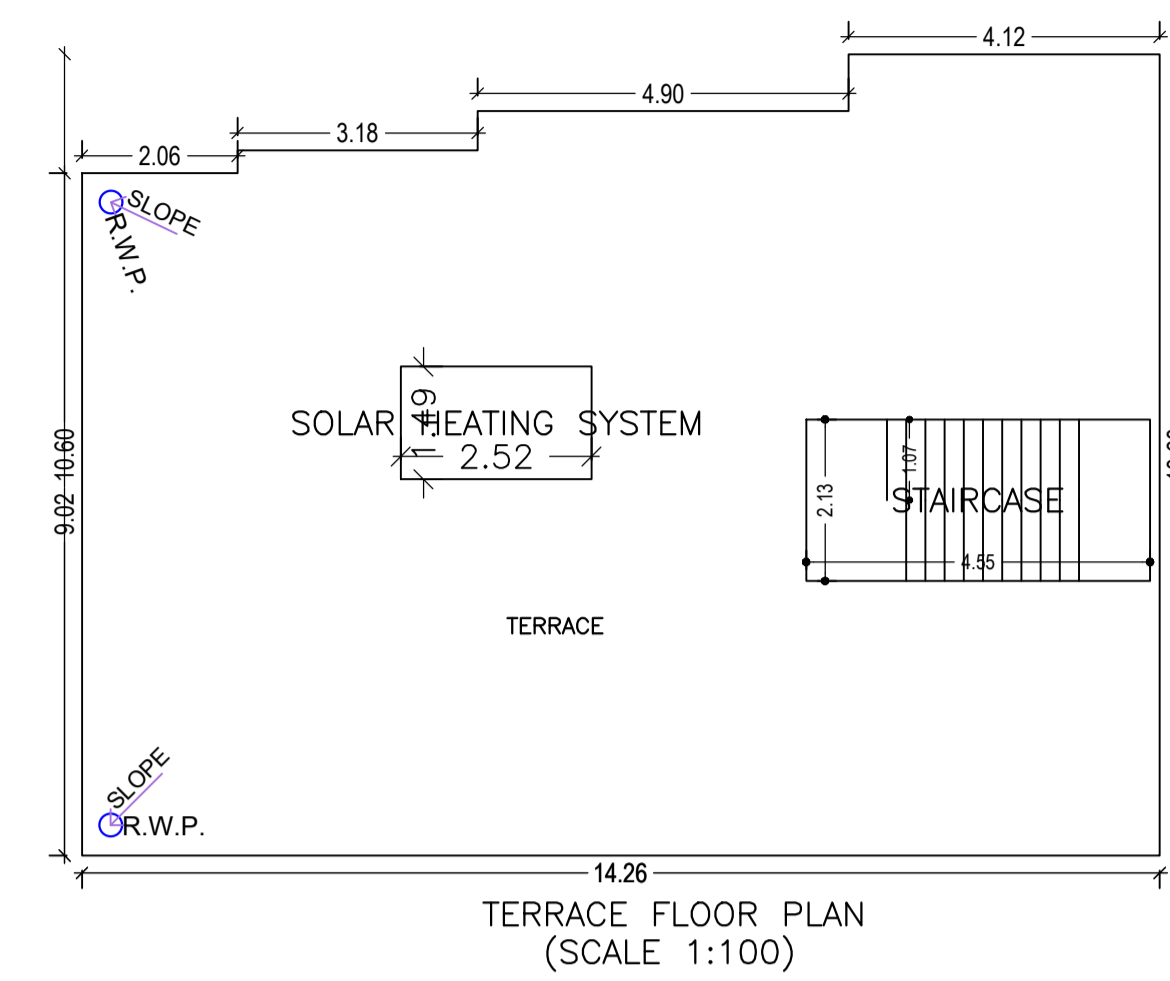
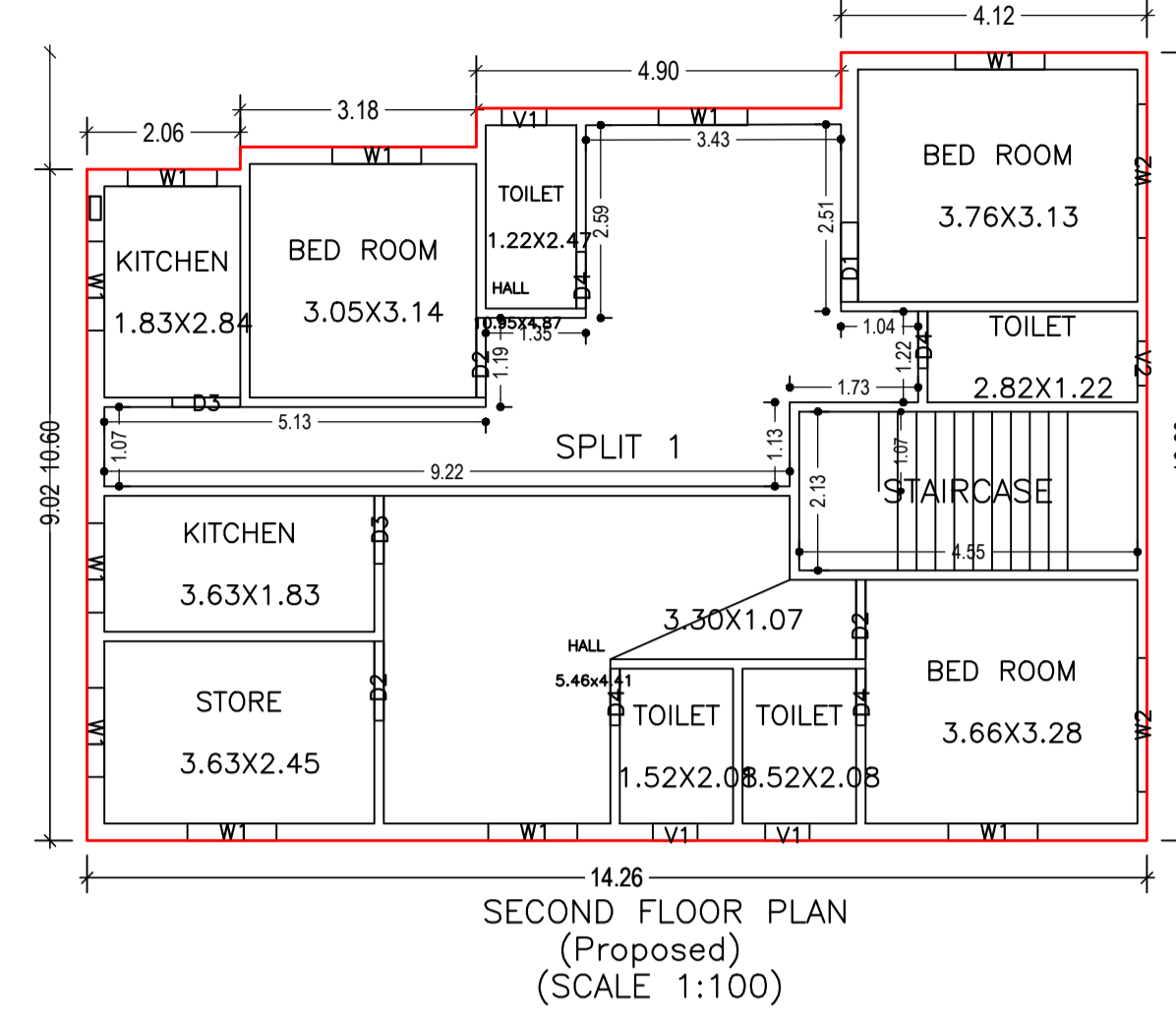
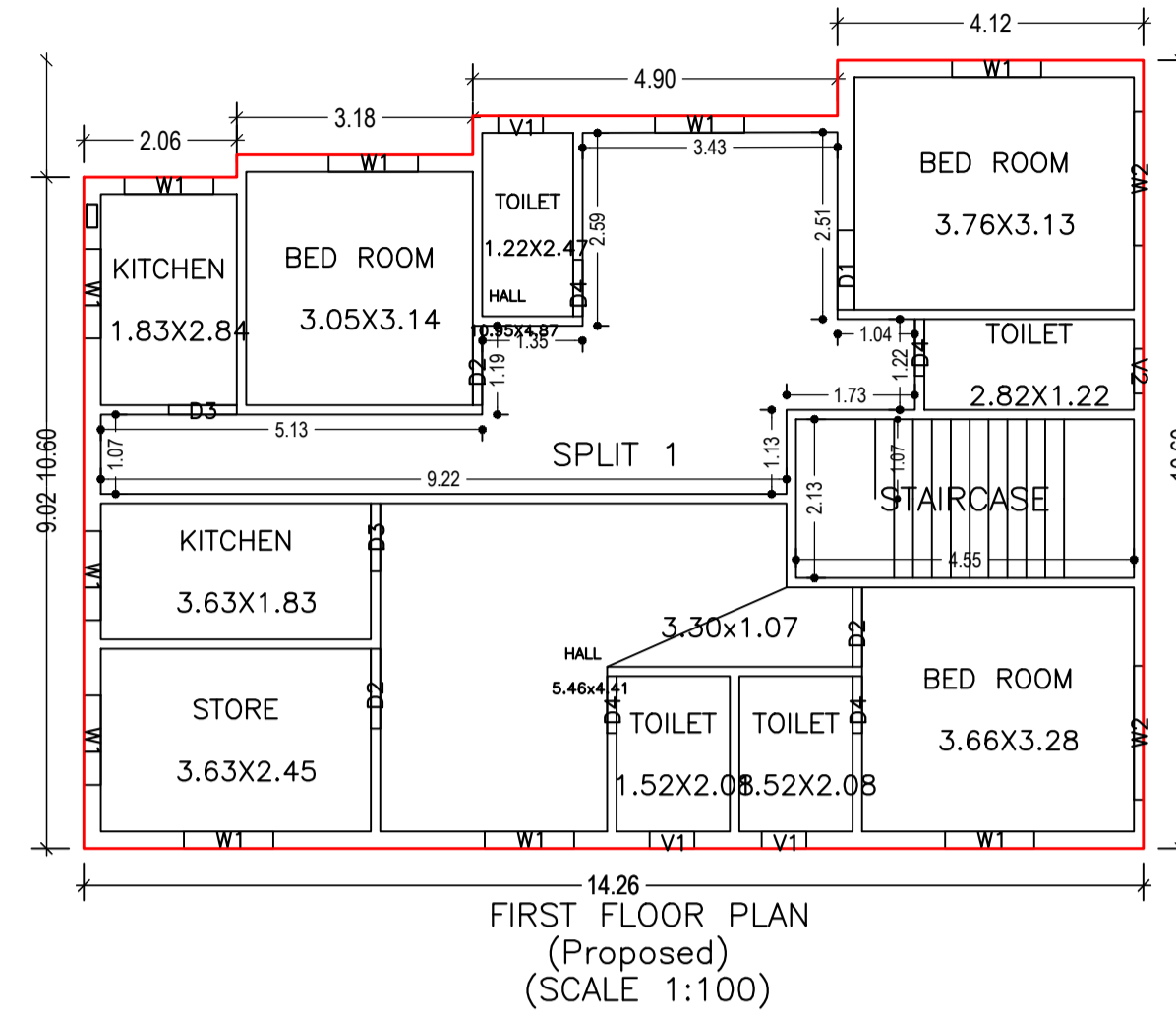
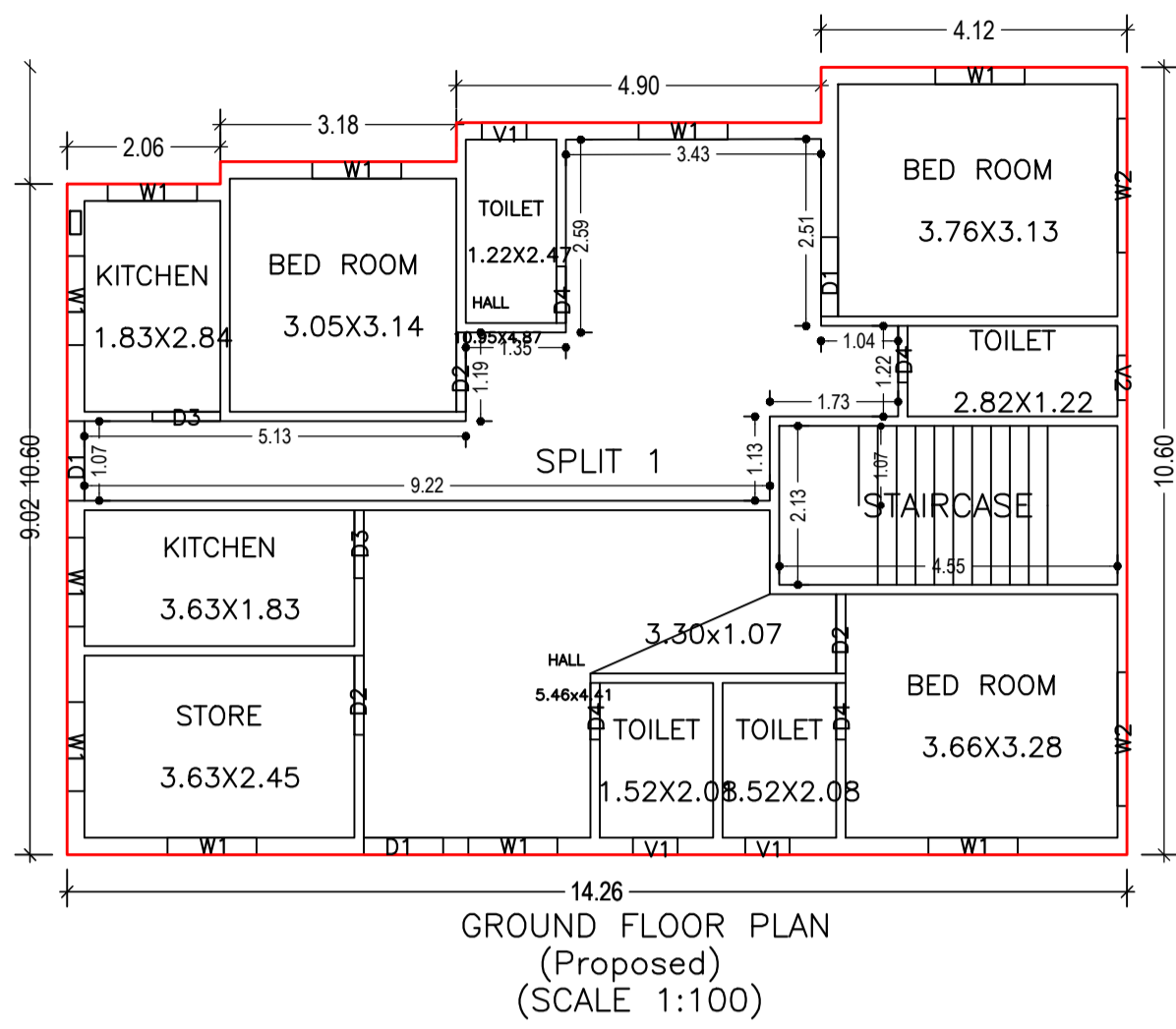
FLOOR	Name	UnitBUA Type	UnitBUA Area	Carpet Area	No. of Rooms	No. of Tenement
GROUND FLOOR PLAN	SPLIT 1	FLAT	420.41	420.27	12	1
FIRST FLOOR PLAN	SPLIT 1	FLAT	0.00	0.00	12	0
SECOND FLOOR PLAN	SPLIT 1	FLAT	0.00	0.00	12	0
Total:	-	-	420.41	420.27	36	1

FAR & Tenement Details (Table 4c-1)

Building	No. of Same Bldg	Total Built Up Area (Sq.mt.)	Proposed FAR Area (Sq.mt.)	Total FAR Area (Sq.mt.)	Total Consumed Additional FAR Area (Sq.mt.)	Tnmt (No.)
A (1)	1	420.42	420.42	420.42	420.42	01
Grand Total :	1	420.42	420.42	420.42	420.42	01

LTP NAME AND SIGNATURE	STRUCTURAL ENG'S NAME AND SIGNATURE	BUILDER NAME AND SIGNATURE	DIGITAL SIGNATURE
Sushil Kumar MADA/ENG/0009/2019			

Proposal Basic Information	
Proposal File No.	MADA/EP/0207/2022
Owner Name	Alok Kumar and Razzi Kumari
Khata No	24 ( New 113)
Plot No	894 ( new : 717)
Village Name	Bagula
Use	Residential
SubUse	Bungalow/ Dwelling / Non Apartment



LTP NAME AND SIGNATURE	STRUCTURAL ENG'S NAME AND SIGNATURE	BUILDER NAME AND SIGNATURE	DIGITAL SIGNATURE
Sushil Kumar MADA/ENG/0009/2019			