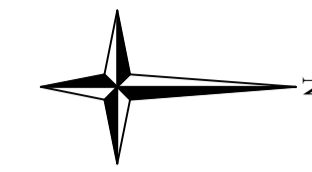
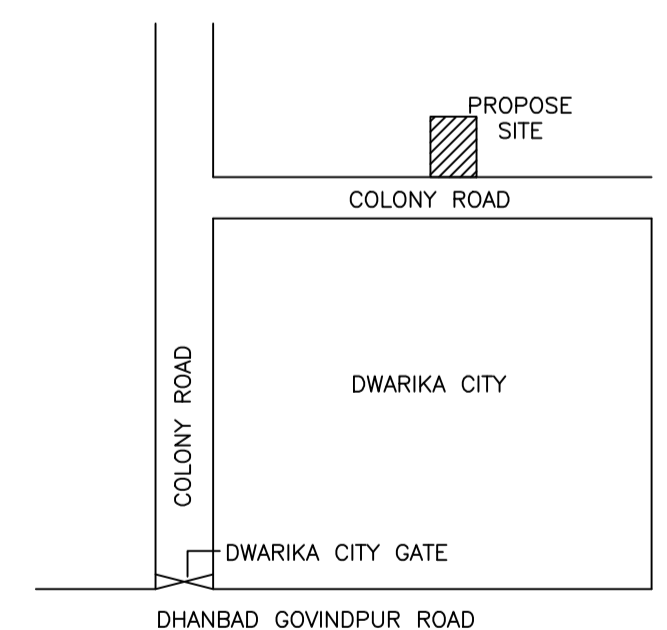
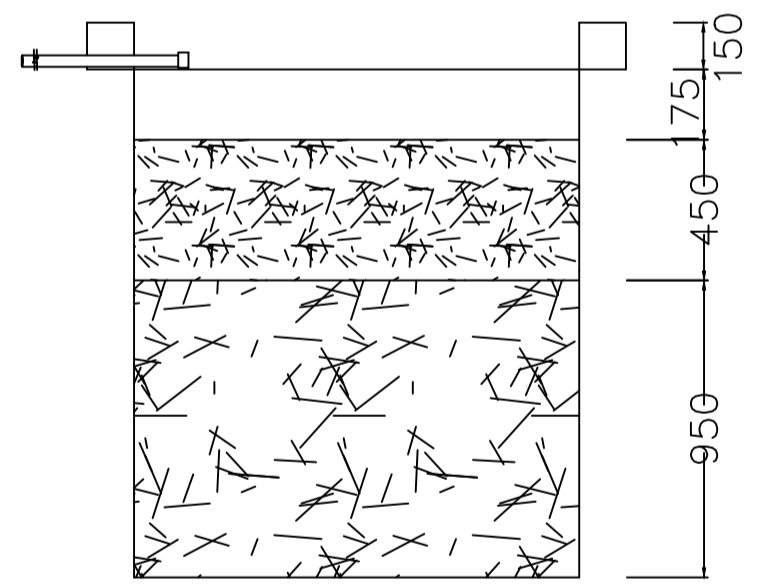
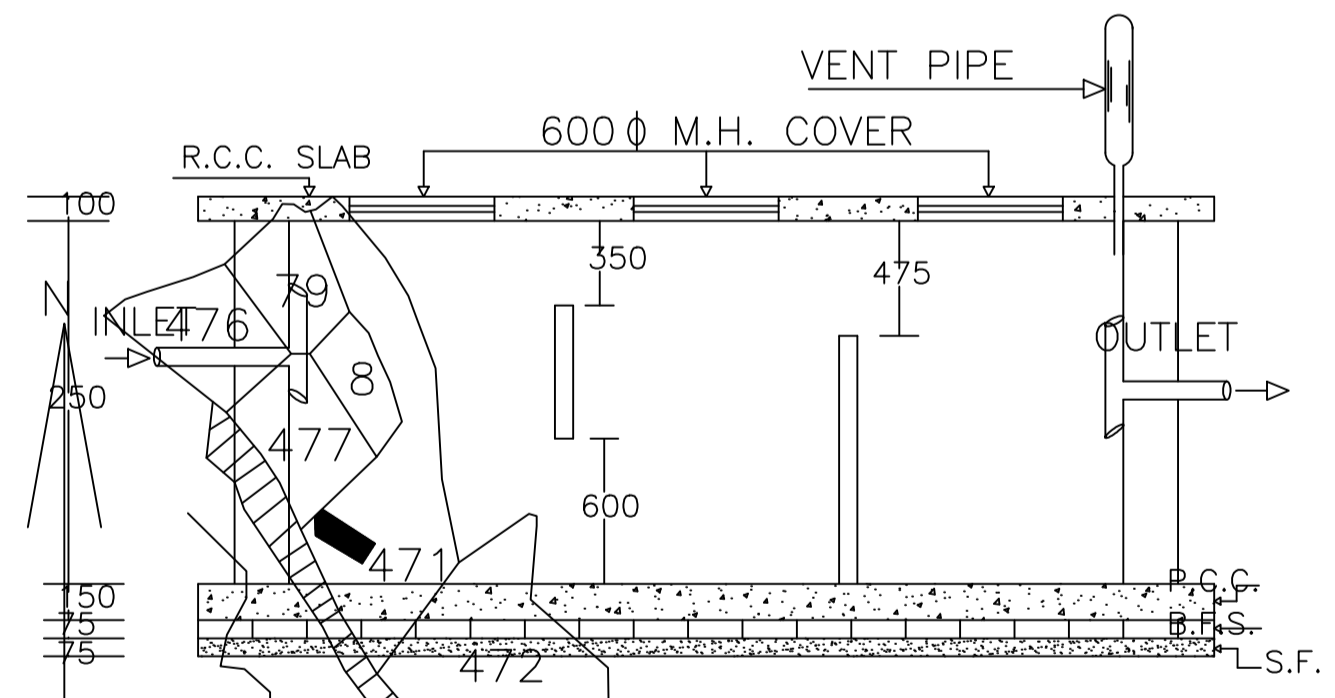
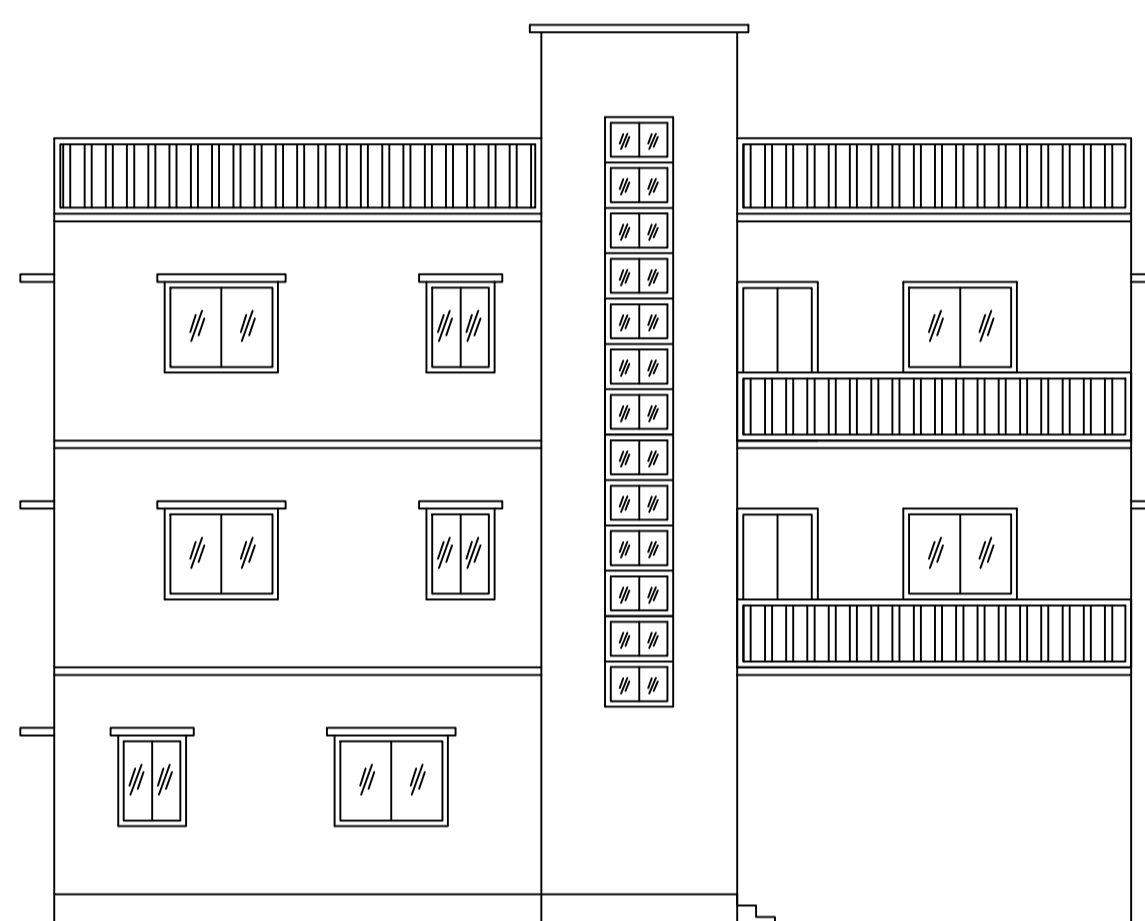
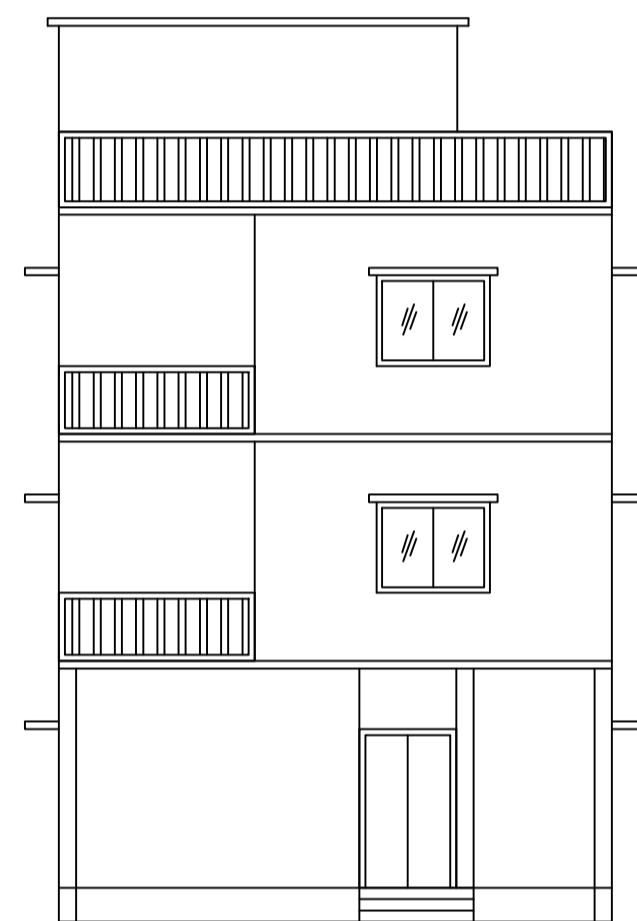
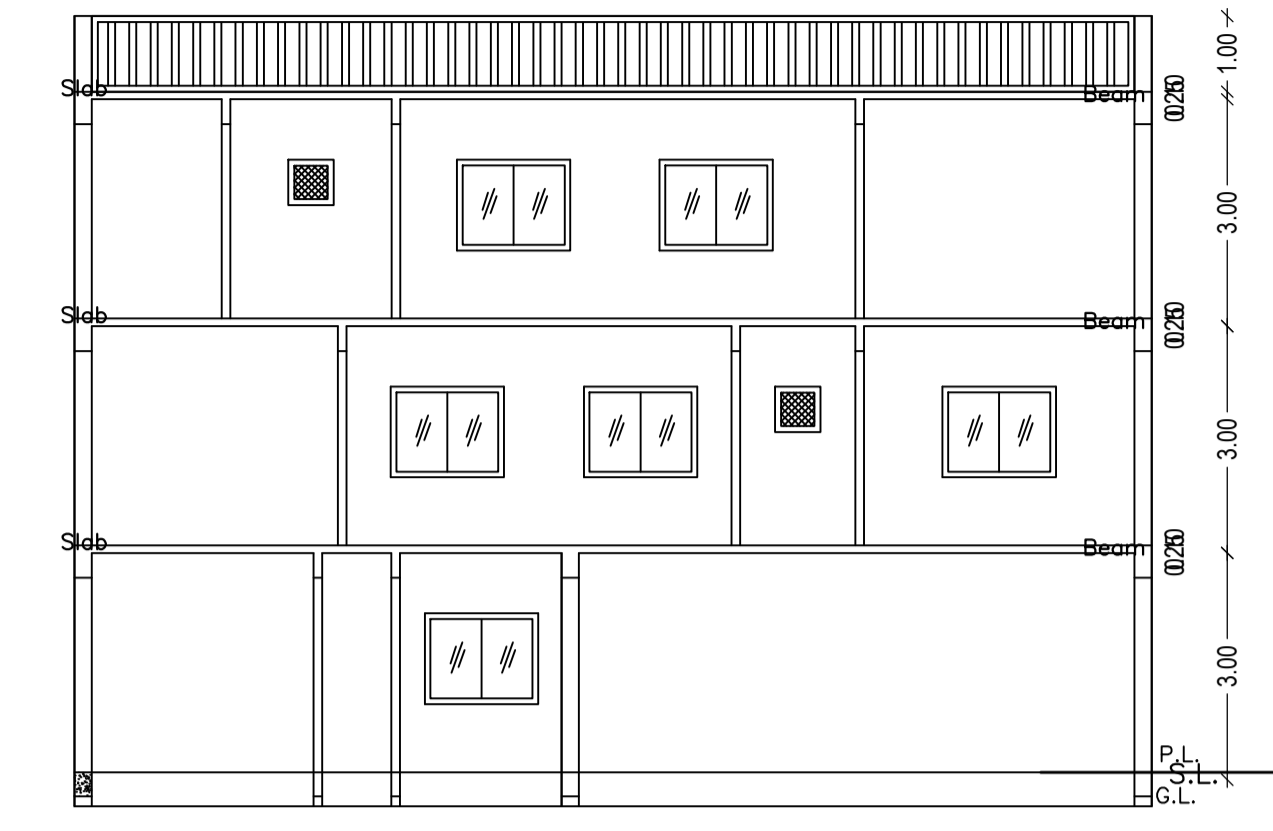
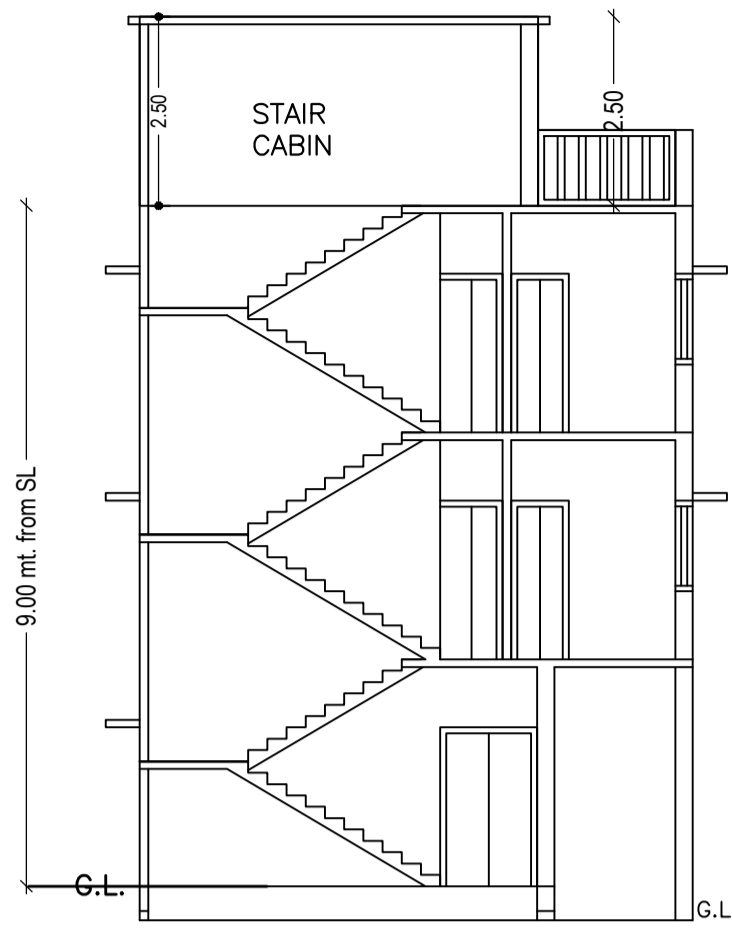
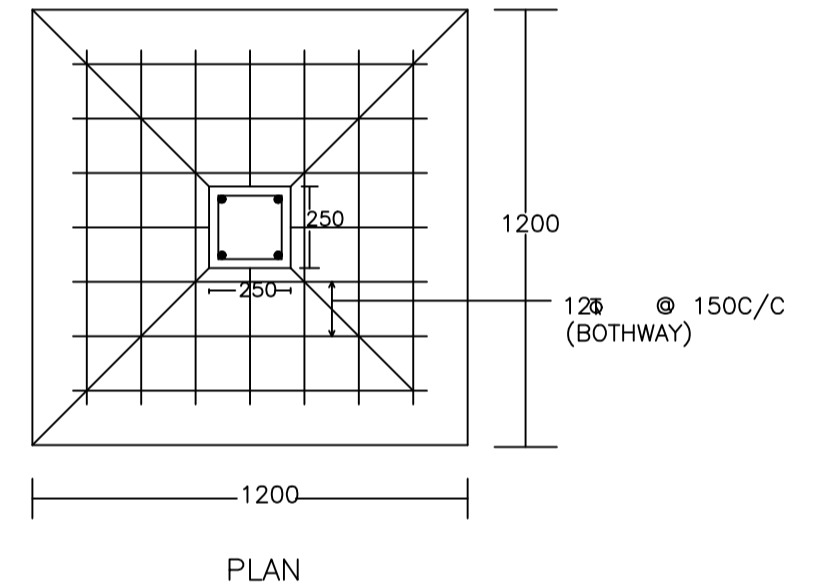
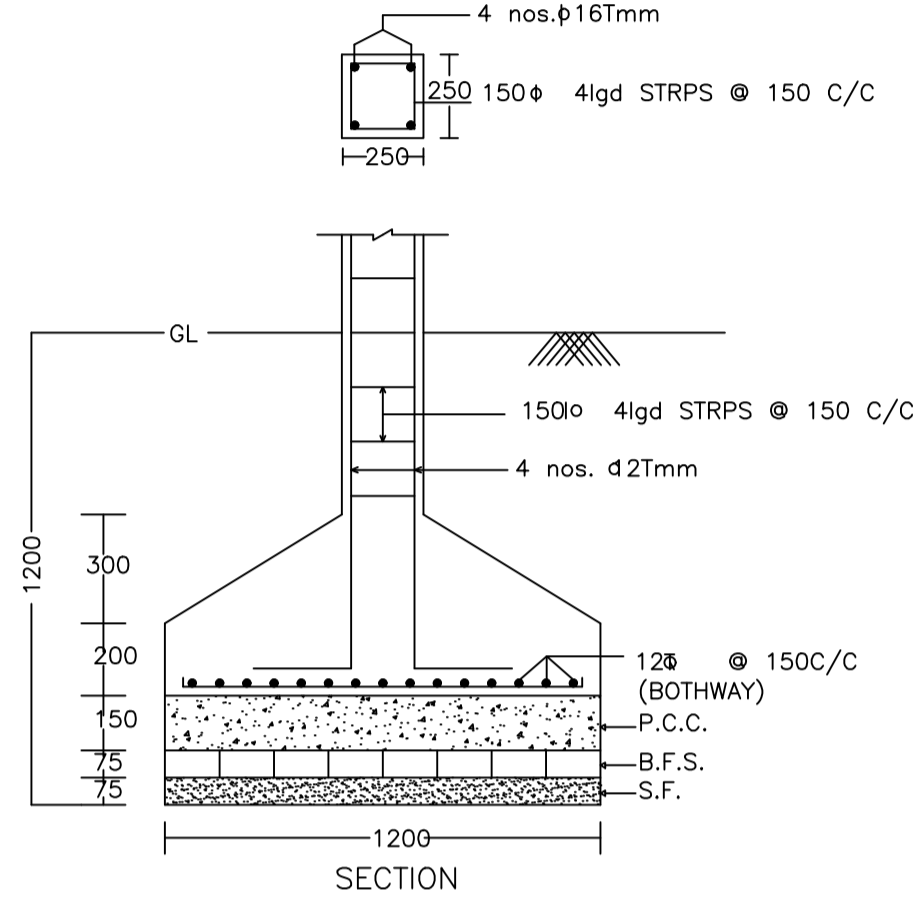
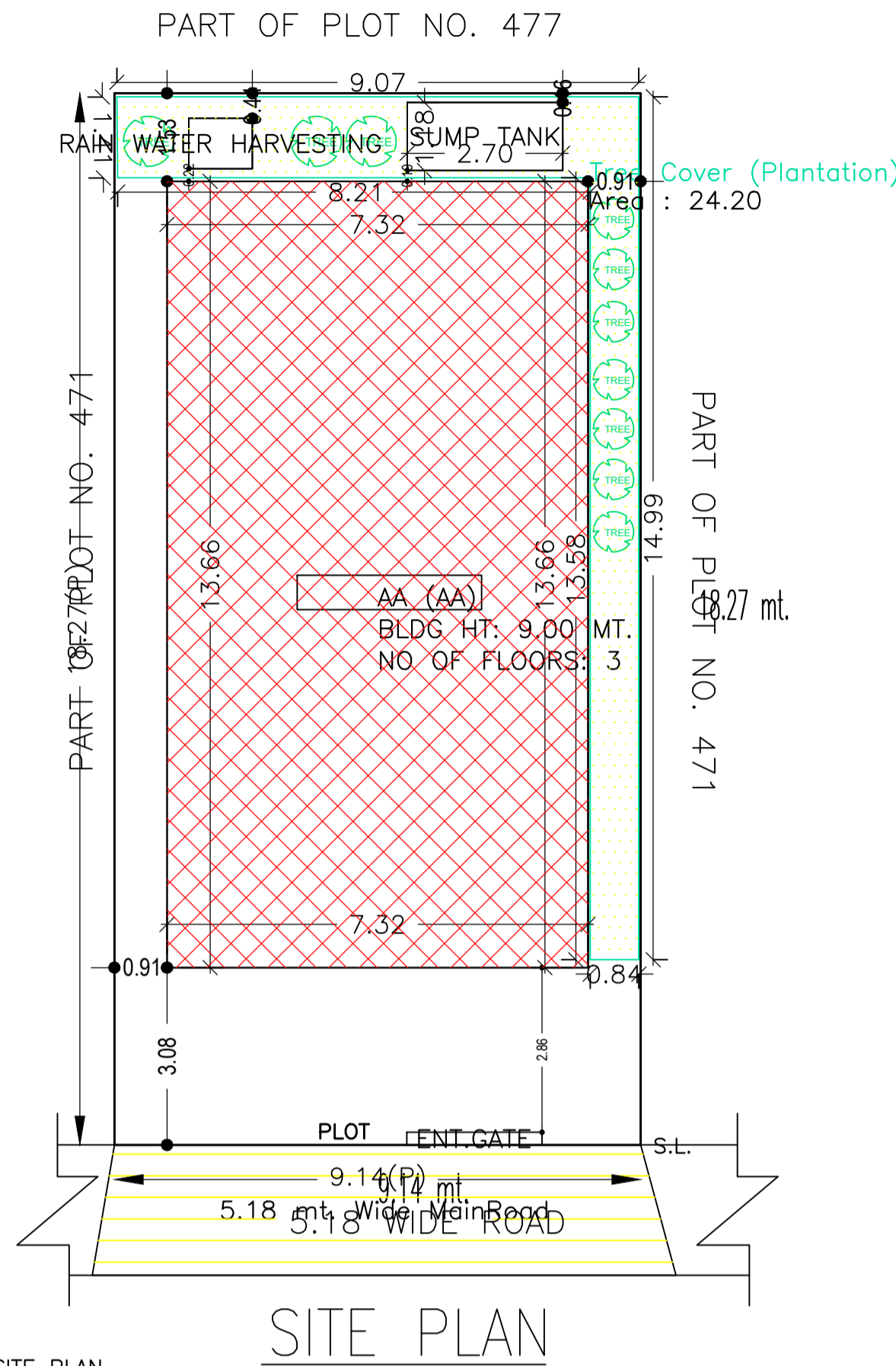


Proposal Basic Information

Proposal File No.	MADA/BP/0232/2022
Owner Name	SMT. USHA KUMARI
Khata No	85 (OLD) 111(NEW)
Plot No	470(OLD)471 (NEW)
Village Name	Jialgora
Use	Residential
SubUse	Bungalow/ Dwelling / Non Apartment



AREA STATEMENT MINERAL AREA DEVELOPMENT AUTHORITY	VERSION NO.: 1.0.64 VERSION DATE: 16/10/2020
PROJECT DETAIL:	
Region: JHARKHAND URBAN LOCAL BODIES	Plot Use: Residential
District: DHANBAD	Plot SubUse: Bungalow/ Dwelling / Non Apartment
Authority: MINERAL AREA DEVELOPMENT AUTHORITY	PlotNearbyReligiousStructure: NA
Inward No: MADA/BP/0232/2022	PlotSubPlot No: 470(OLD)471 (NEW)
Application Type: General Proposal	North: Plot No. - PART OF PLOT NO. 471
Project Type: Building Permission	South: Plot No. - PART OF PLOT NO. 471
Nature of Development: New	East: Road Width - 5.18
Location of Development Area: Old Area	West: Plot No. - PART OF PLOT NO. 477
AREA DETAILS:	SQ.MT.
AREA OF PLOT (Minimum)	(A) 167.04
NET AREA OF PLOT(Gross Plot Area - Deduction from Gross Plot area)	(A-Deductions) 167.04
Deduction for Balance Plot Area(from Gross Plot Area)	
Common Plot	24.20
Total	24.20
BALANCE AREA OF PLOT(Net Plot Area - Recreational/Amenity space)	(A-Deductions) 142.84
PLOT AREA FOR COVERAGE(Net Plot Area)	(A-Deductions) 167.04
Plot Area for FAR (Net Plot Area + Road Widening Area)	(A-Deductions) 167.04
COVERAGE CHECK	
Permissible Coverage area (70.00 %)	116.93
Proposed Coverage Area (59.81 %)	99.91
Total Prop. Coverage Area (59.81 %)	99.91
Balance coverage area (10.19 %)	17.02
FAR CHECK	
Perm. FAR Area (1.800)	300.67
Total Perm. FAR area	300.67
Residential FAR	299.73
Proposed FAR Area	299.73
Total Proposed FAR Area	299.73
Consumed FAR (Factor)	1.79
Balance FAR Area	0.94
BUILT UP AREA CHECK	
Total Proposed BuiltUp Area	299.73
ARCHITECT (Regd)	RAJEEV RANJAN SINGH
ENGINEER (Regd)	
SUPERVISOR (Regd)	
OWNER (Regd)	SMT. USHA KUMARI
DEVELOPMENT AUTHORITY LOCAL BODY	



Building :AA (AA)

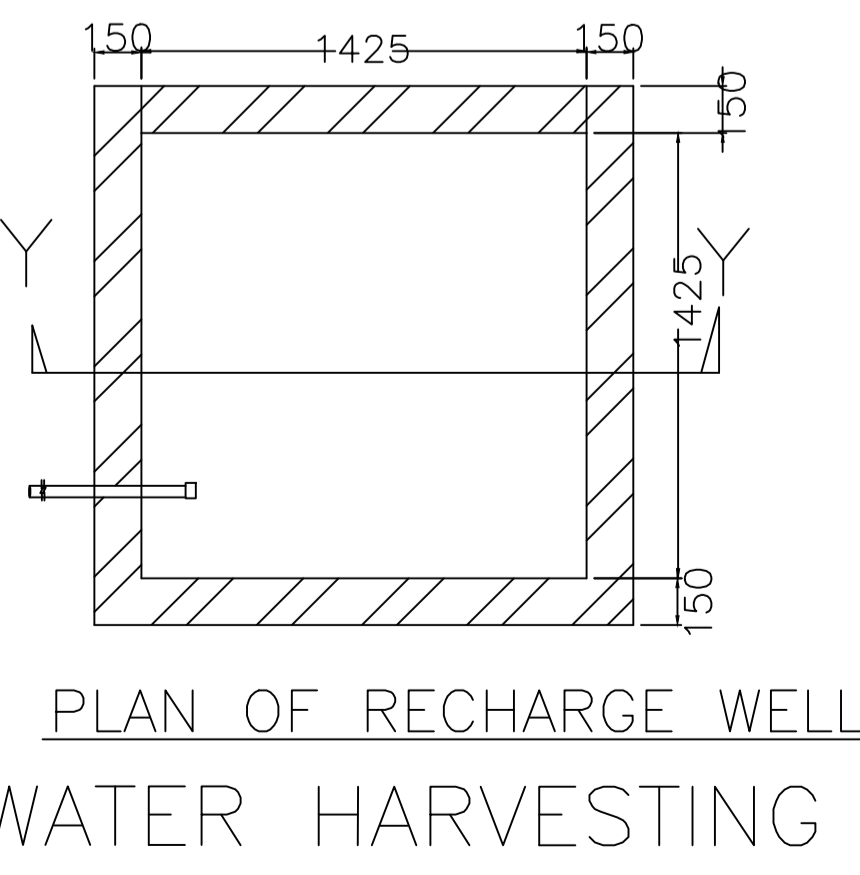
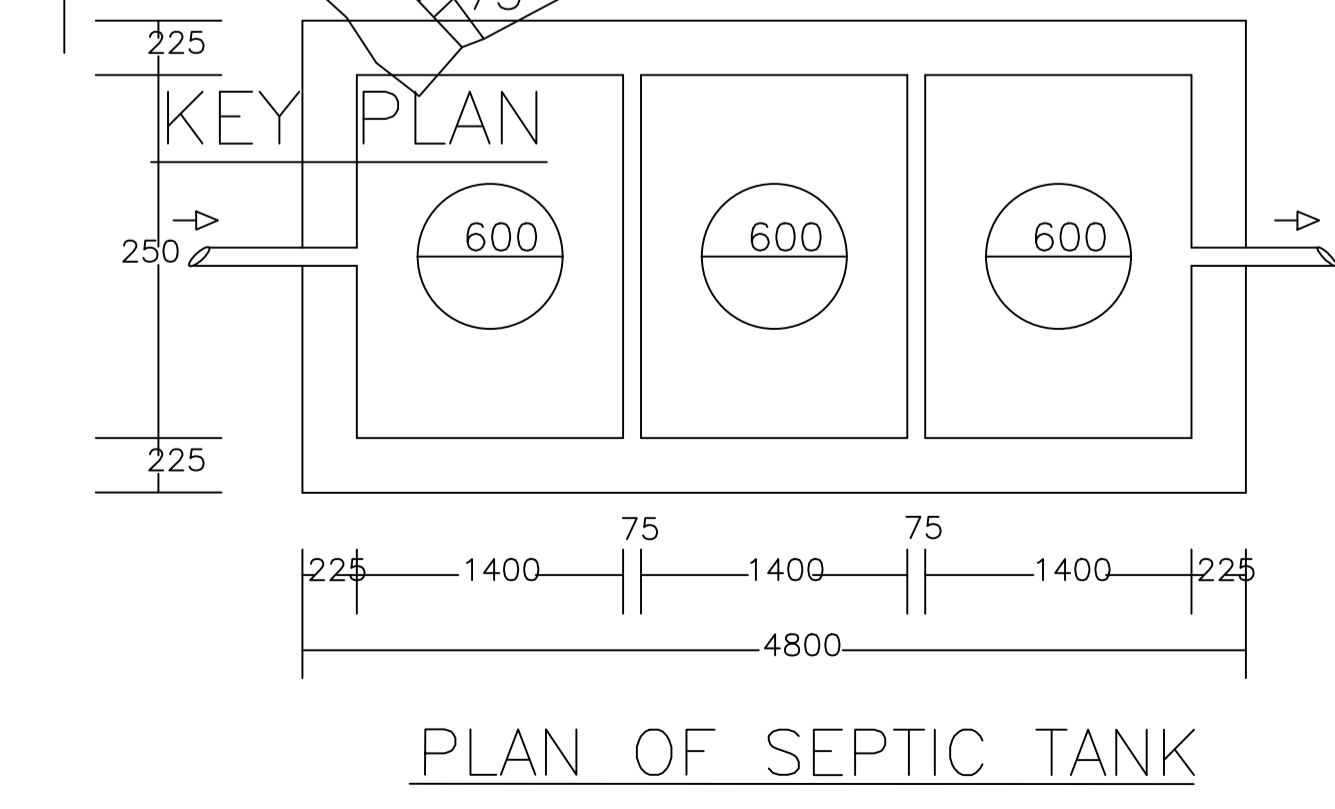
Floor Name	Total Built Up Area (Sq.mt.)	Proposed FAR Area (Sq.mt.) Resi.	Total FAR Area (Sq.mt.)	Total Consumed Additional FAR Area (Sq.mt.)	Tnmt (No.)
Ground Floor	99.91	99.91	99.91	99.91	01
First Floor	99.91	99.91	99.91	99.91	00
Second Floor	99.91	99.91	99.91	99.91	00
Terrace Floor	0.00	0.00	0.00	0.00	00
Total :	299.73	299.73	299.73	299.73	01
Total Number of Same Buildings	1				
Total :	299.73	299.73	299.73	299.73	01

SCHEDULE OF DOOR:

BUILDING NAME	NAME	LENGTH	HEIGHT	NOS
AA (AA)	D	0.76	2.10	07
AA (AA)	D	0.87	2.10	02
AA (AA)	D	0.91	2.10	03
AA (AA)	D	1.07	2.10	04
AA (AA)	D	1.28	2.10	01

UnitBUA Table for Building :AA (AA)

FLOOR	Name	UnitBUA Type	UnitBUA Area	Carpet Area	No. of Rooms	No. of Tenement
GROUND FLOOR PLAN	SPLIT AA	FLAT	299.73	299.64	5	1
FIRST FLOOR PLAN	SPLIT AA	FLAT	0.00	0.00	8	0
SECOND FLOOR PLAN	SPLIT AA	FLAT	0.00	0.00	7	0
Total:			299.73	299.64	20	1



COLOR INDEX

PLOT BOUNDARY	Black
ABUTTING ROAD	Red
PROPOSED CONSTRUCTION	Green
COMMON PLOT	Blue
ROAD WIDENING AREA	Yellow
EXISTING (To be retained)	Light Blue
EXISTING (To be demolished)	Light Yellow

Buildingwise Floor FAR Details

Floor Name	Building Name AA (AA)		Total	
	Proposed Built Up Area (Sq.mt.)	Proposed FAR Area (Sq.mt.)	Total Proposed Built Up Area (Sq.mt.)	Total FAR Area (Sq.mt.)
Ground Floor	99.91	99.91	99.91	99.91
First Floor	99.91	99.91	99.91	99.91
Second Floor	99.91	99.91	99.91	99.91
Terrace Floor	0.00	0.00	0.00	0.00
Total :	299.73	299.73	299.73	299.73

Building USE/SUBUSE Details

Building Name	Building Use	Building SubUse	Building Structure
AA (AA)	Residential	Bungalow/ Dwelling / Non Apartment	Non-Highrise

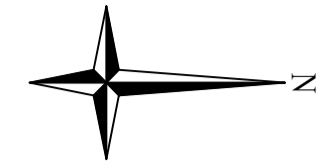
FAR & Tenement Details (Table 4c-1)

Building	No. of Same Bldg	Total Built Up Area (Sq.mt.)	Proposed FAR Area (Sq.mt.) Resi.	Total FAR Area (Sq.mt.)	Total Consumed Additional FAR Area (Sq.mt.)	Tnmt (No.)
AA (AA)	1	299.73	299.73	299.73	299.73	01
Grand Total :	1	299.73	299.73	299.73	299.73	01

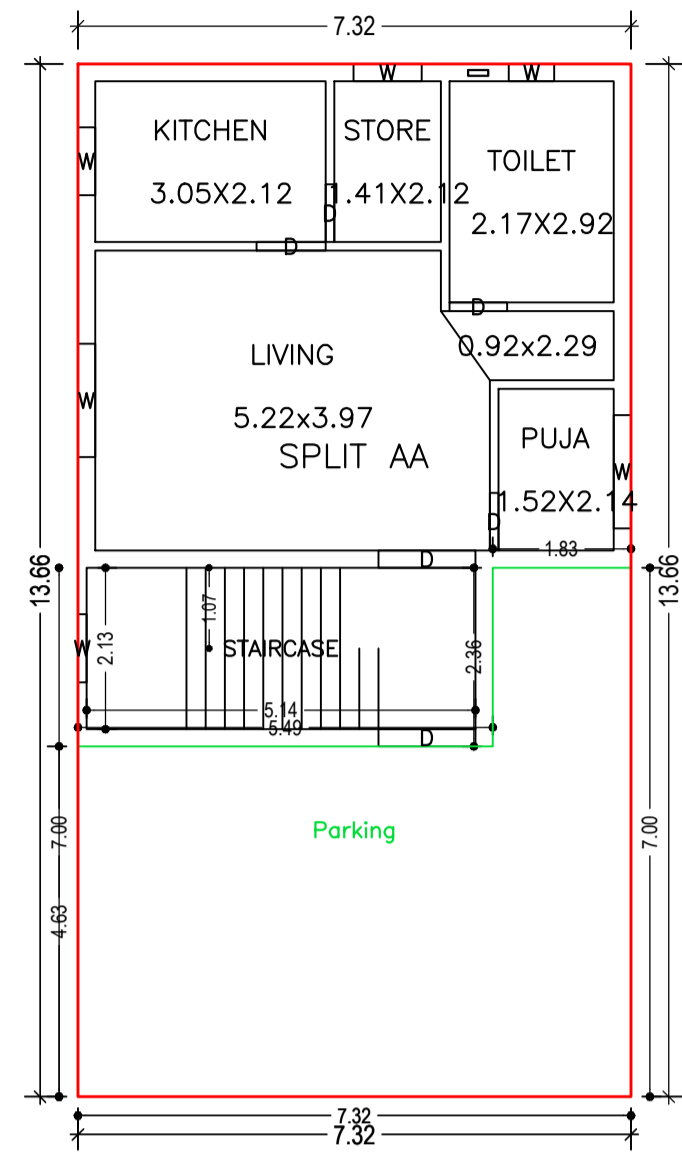
SCHEDULE OF WINDOW/VENTILATION:

BUILDING NAME	NAME	LENGTH	HEIGHT	NOS
AA (AA)	W	0.50	1.20	01
AA (AA)	W	0.60	1.20	04
AA (AA)	W	0.90	1.20	06
AA (AA)	W	1.50	1.20	15

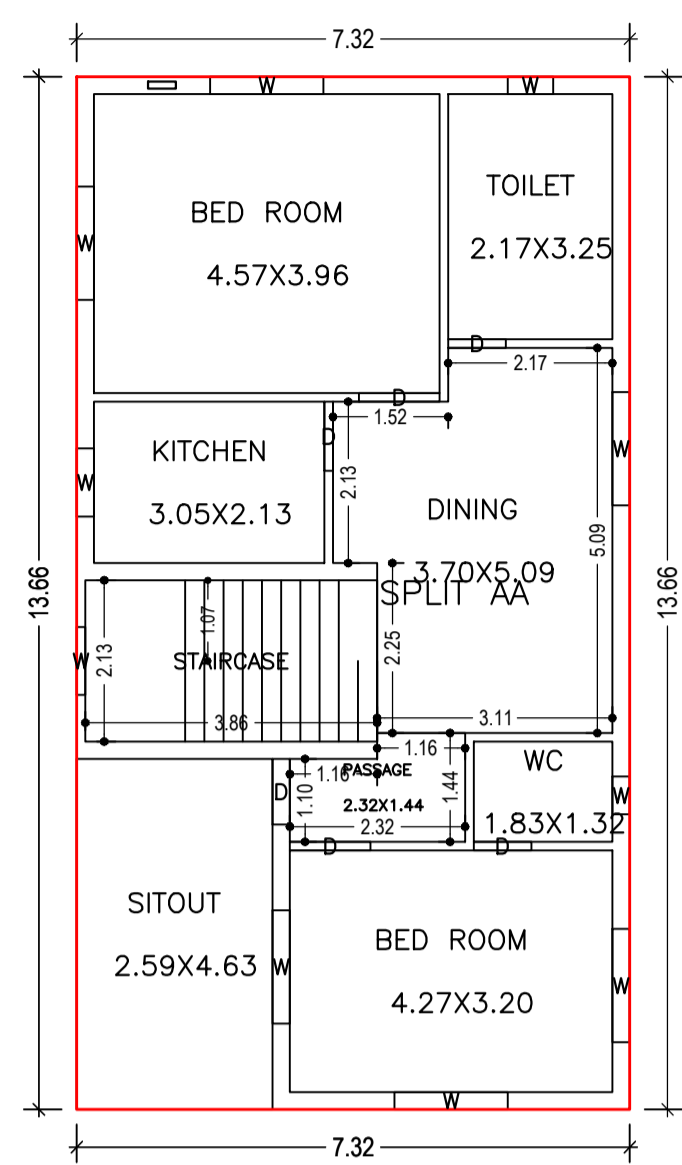
LTP NAME AND SIGNATURE	STRUCTURAL ENG'S NAME AND SIGNATURE	BUILDER NAME AND SIGNATURE	DIGITAL SIGNATURE
RAJEEV RANJAN SINGH MADA/ENG/0004/2019			



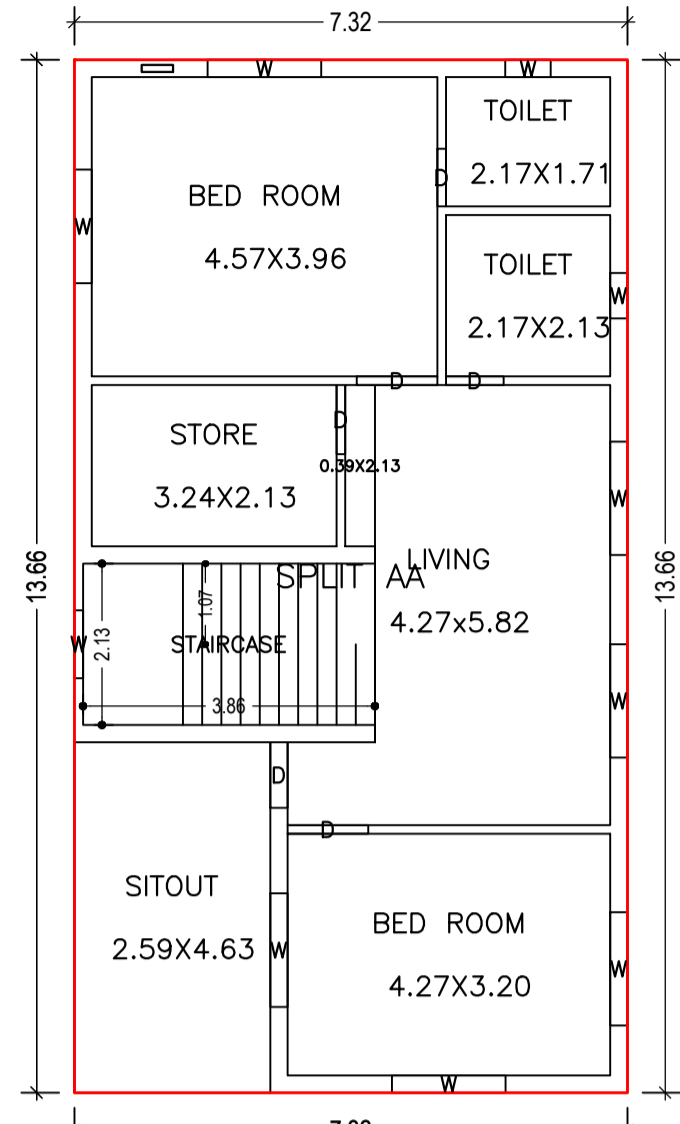
Proposal Basic Information	
Proposal File No.	MADA/BP/0232/2022
Owner Name	SMT. USHA KUMARI
Khata No	85 (OLD) 111(NEW)
Plot No	470(OLD)471 (NEW)
Village Name	Jialgora
Use	Residential
SubUse	Bungalow/ Dwelling / Non Apartment



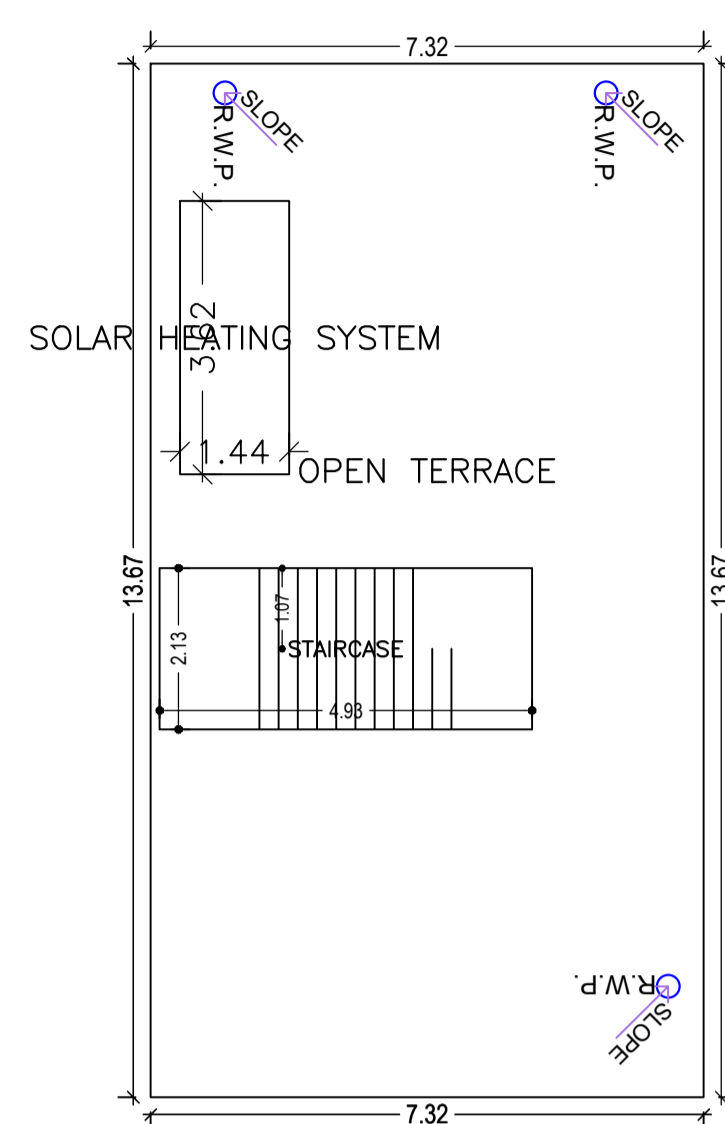
GROUND FLOOR PLAN
(Proposed)
(SCALE 1:100)



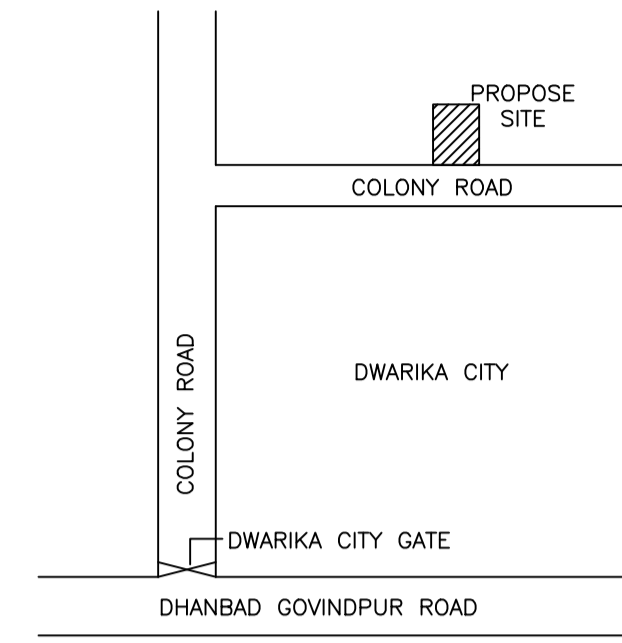
FIRST FLOOR PLAN
(Proposed)
(SCALE 1:100)



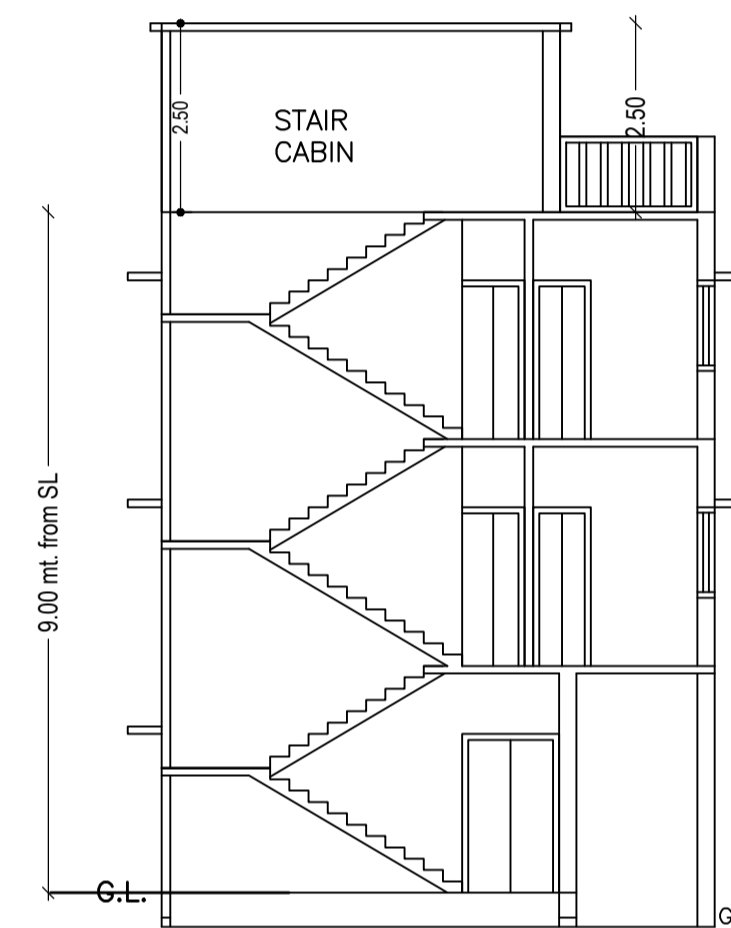
SECOND FLOOR PLAN
(Proposed)
(SCALE 1:100)



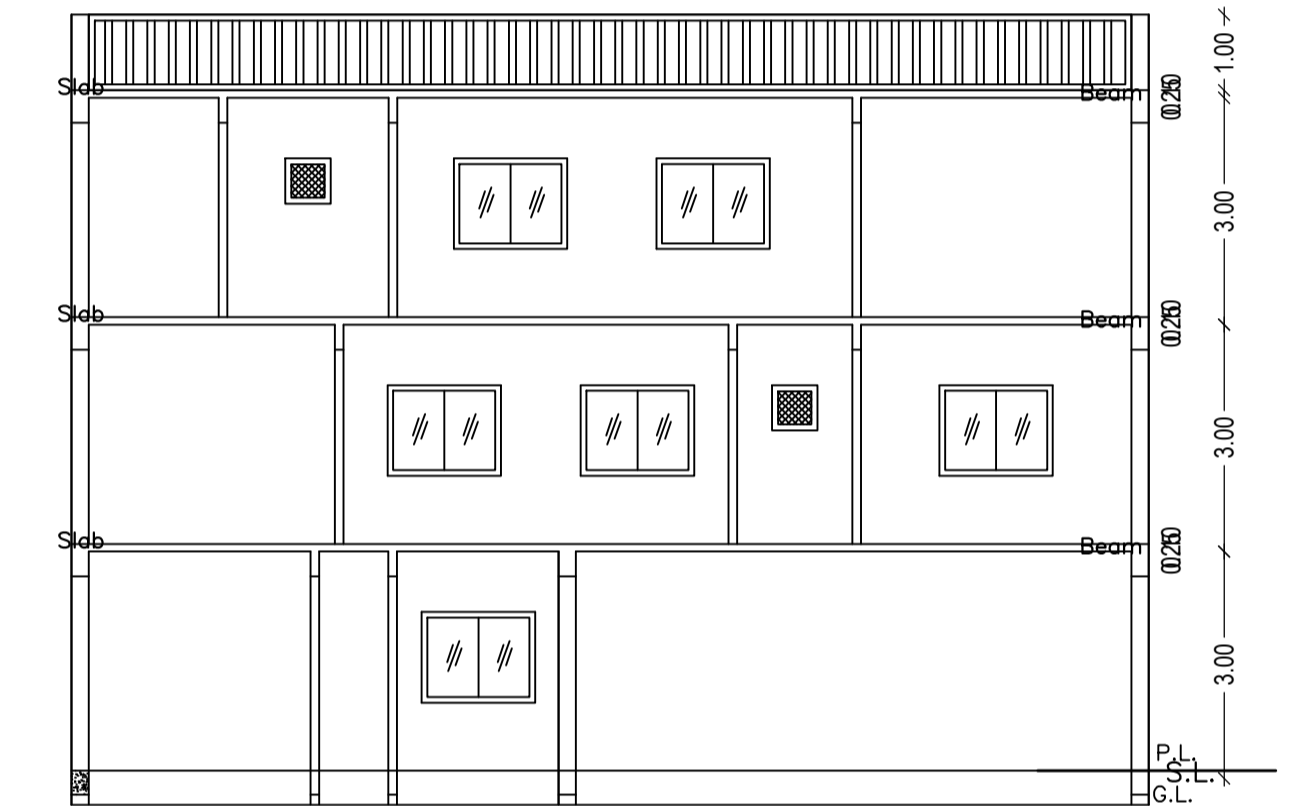
TERRACE FLOOR PLAN
(SCALE 1:100)



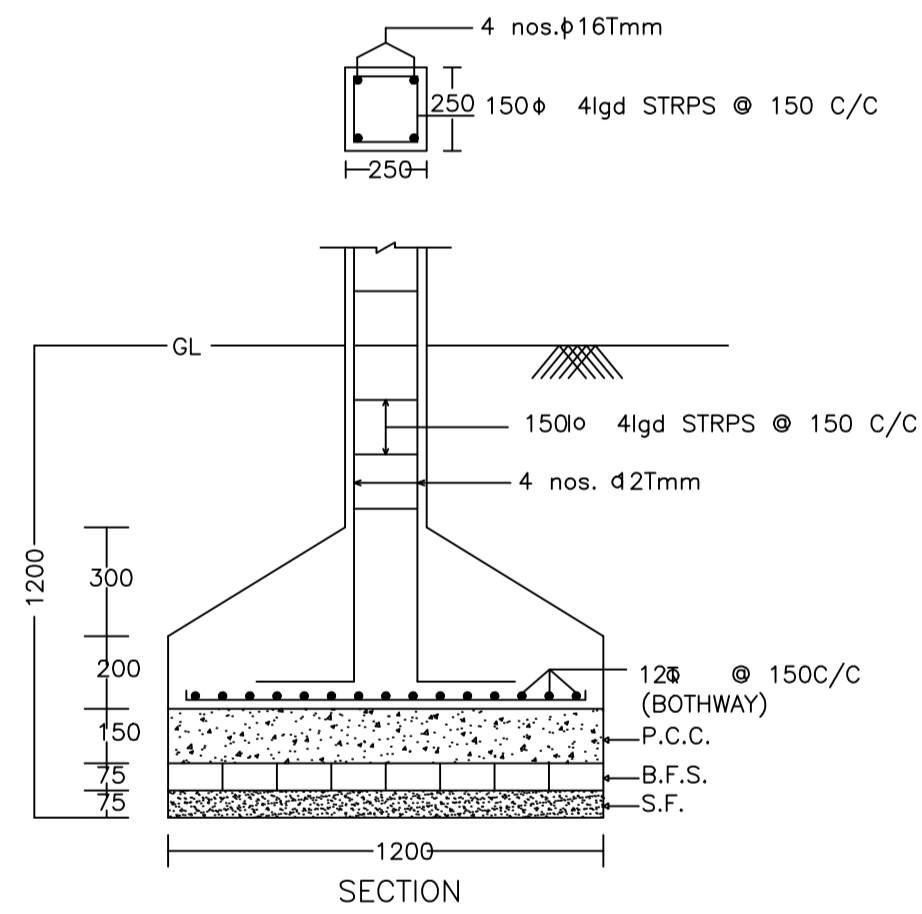
LOCATION PLAN



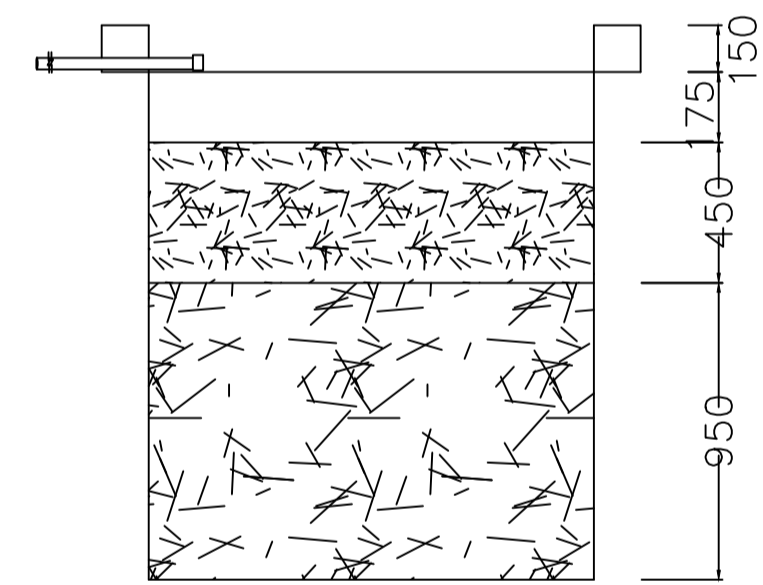
SECTION ON X-X



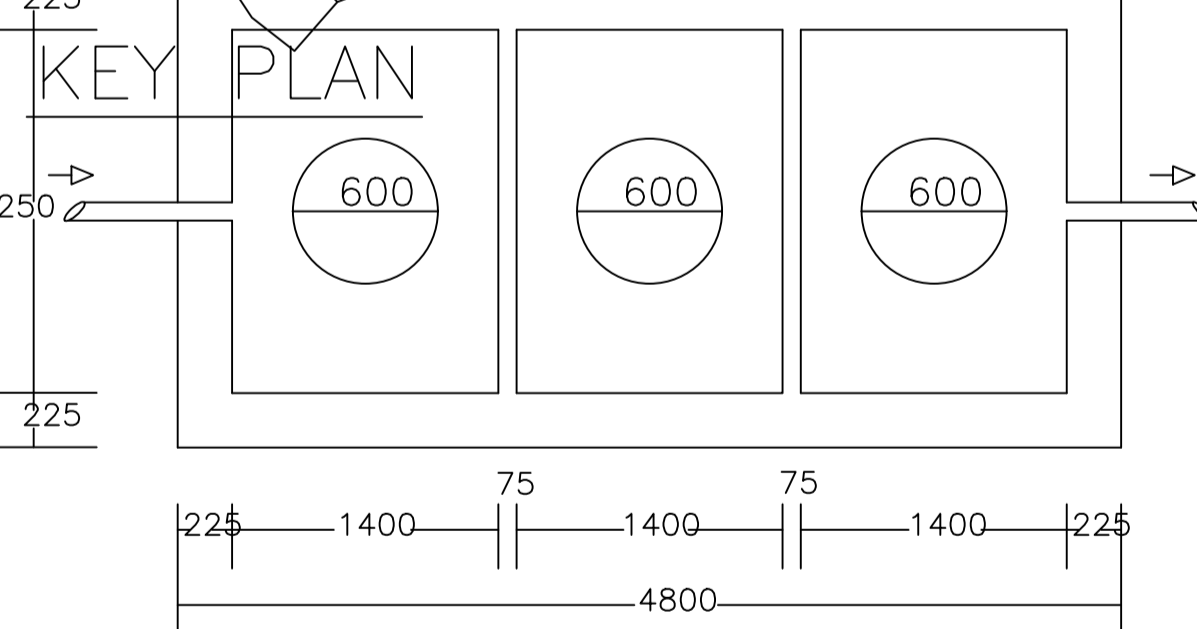
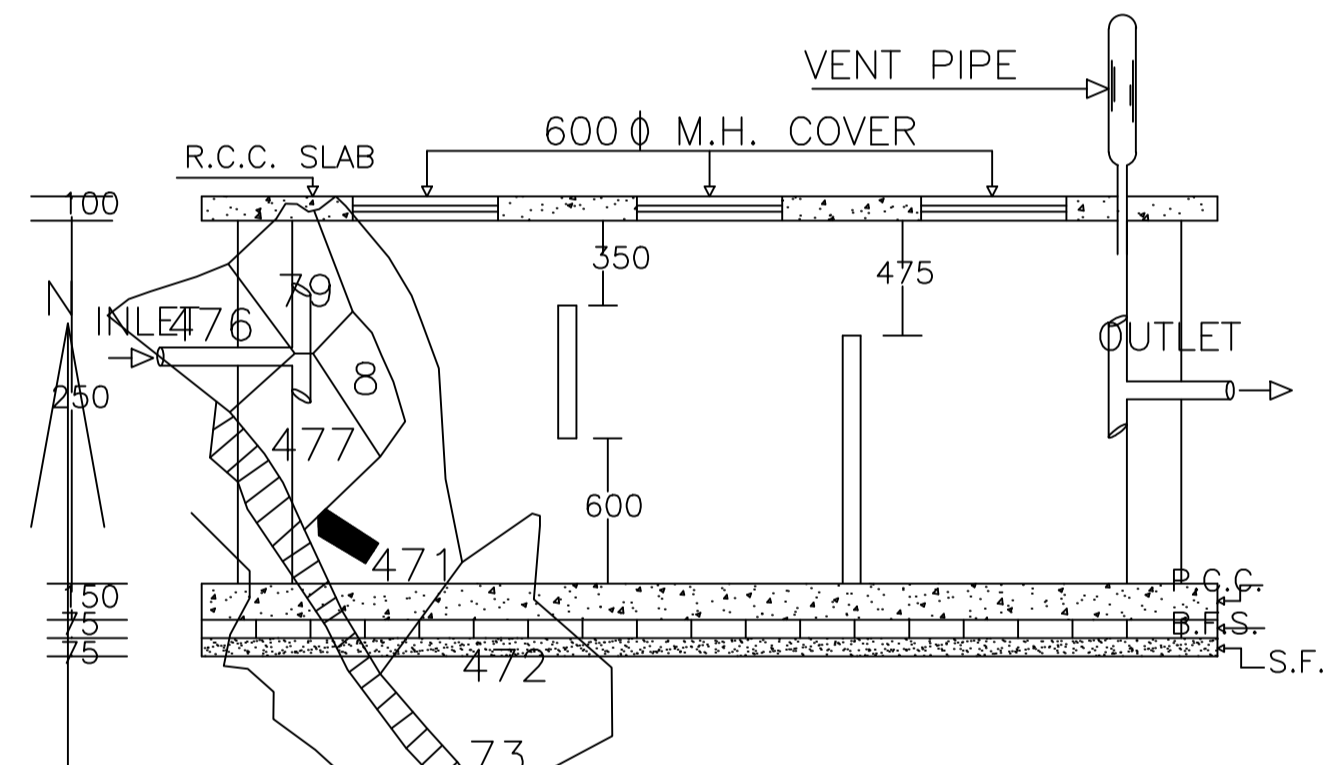
SECTION ON Y-Y



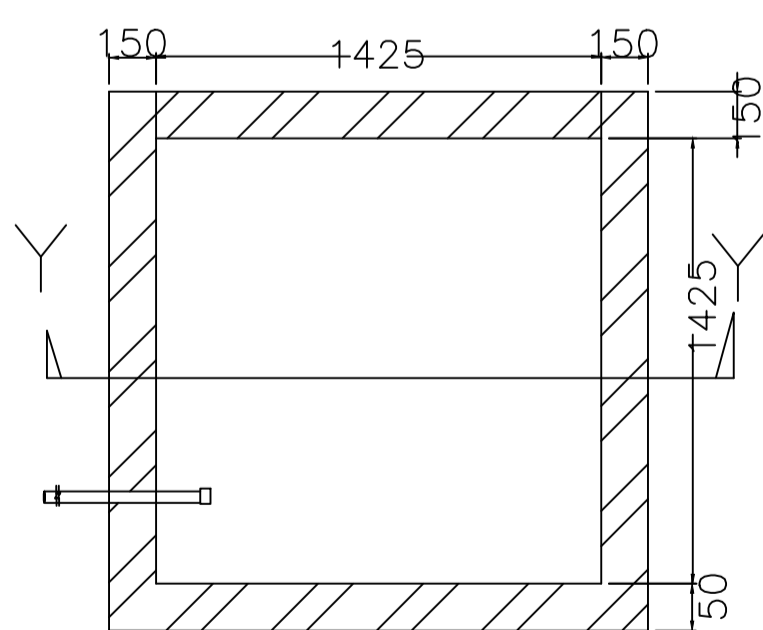
DETAIL OF COLUMNS



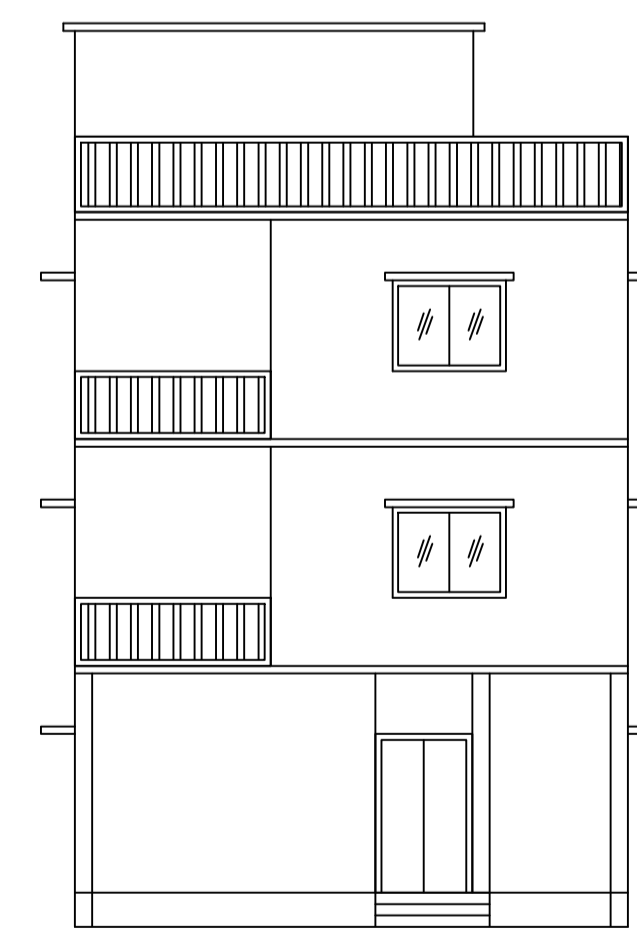
SECTION AT Y-Y



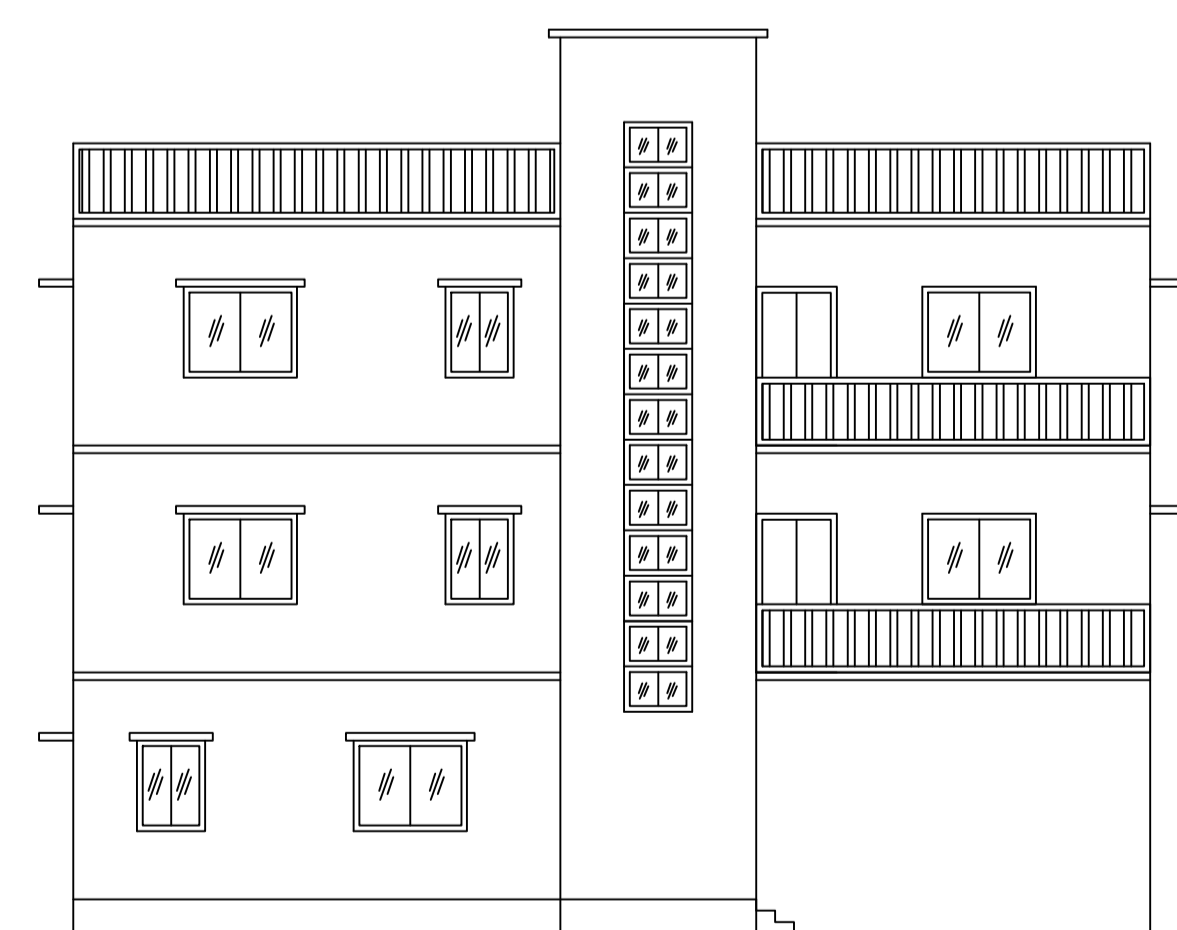
PLAN OF SEPTIC TANK



PLAN OF RECHARGE WELL
WATER HARVESTING



FRONT ELEVATION



LEFT SIDE ELEVATION

LTP NAME AND SIGNATURE	STRUCTURAL ENG'S NAME AND SIGNATURE	BUILDER NAME AND SIGNATURE	DIGITAL SIGNATURE
RAJEEV RANJAN SINGH MADA/ENG/0004/2019			