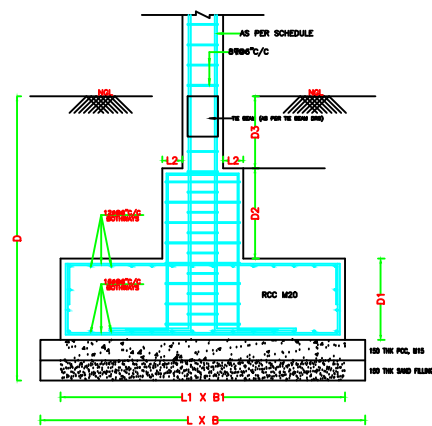
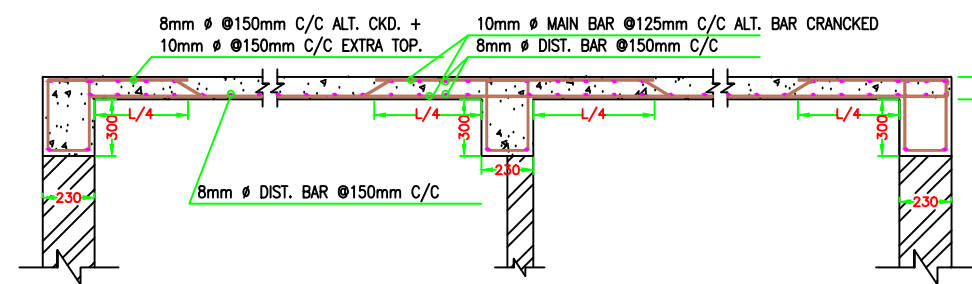


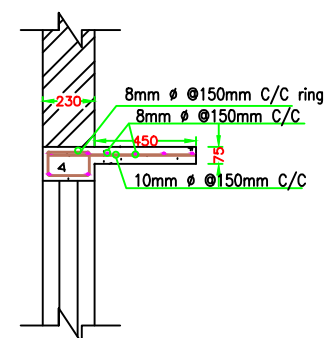
# STRUCTURAL DESIGN SAFETY DETAILS



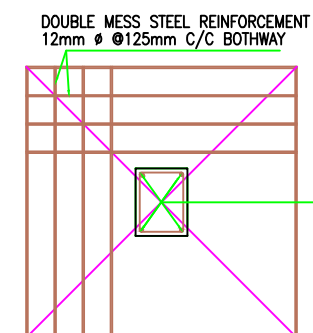
TYPICAL SECTION OF FOUNDATION



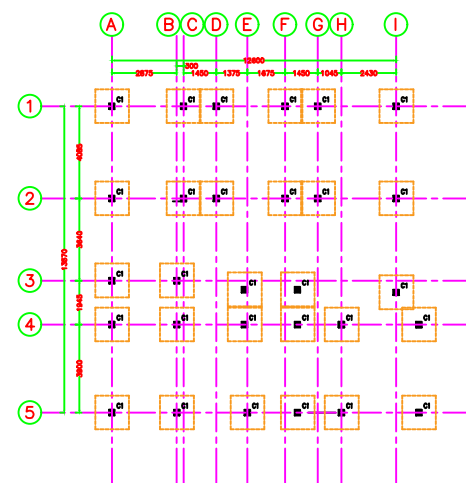
TYPICAL DETAIL OF RCC ROOF SLAB



DET. OF R.C.C. CHAJJA



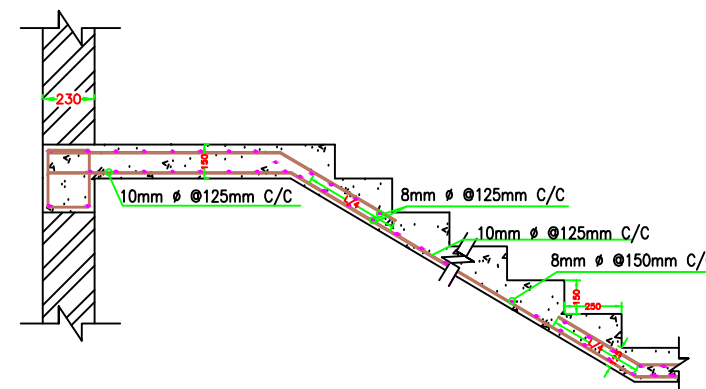
VERTICAL : AS PER COLUMN TABLE  
RING : 8 $\phi$  @ 150 C/C  
1/2/3 SETS AS REQD.



FOUNDATION PLAN

SCHEDULE OF COLUMN & FOUNDATION												
Sl. No.	ITEMS	SYM	SIZE	FOUNDATION EXCAVATION SIZE L X B X D	SECTION	REINFORCEMENT		COVER	RCC FOUNDATION			REMARKS
						VERTICAL	RING		L1 X B1 X D1	D2	D3	
1.	COLUMN C1		230x300	1800x1800x1500		4NOS-1 $\phi$ 8	8 $\phi$ @ 150C/C	40	1200x1200x200	500	500	RCC MIX: M20
2.	COLUMN C2		230x380	1800x1800x1500		8NOS-1 $\phi$ 8	8 $\phi$ @ 150C/C (2 SETS)	40	1200x1200x200	500	500	RCC MIX: M20

SCHEDULE OF COLUMN & FOUNDATION



TYPICAL DETAIL OF RCC STAIR

DRAWING OF PROPOSED STRUCTURAL DETAILS OF RESIDENTIAL BUILDING OF SMT SATYA RAJ, W/O SRI MANOJ KUMAR BURNWAL MOUZA - BADA NAWATAND, MOUZA NO. 173, OLD KHATA NO. 44, (NEW-83) PART OF OLD PLOT NO. 777 (NEW-1079 & 1080) UNDER PS GOVINDPUR, DIST. DHANBAD IN THE STATE OF JHARKHAND