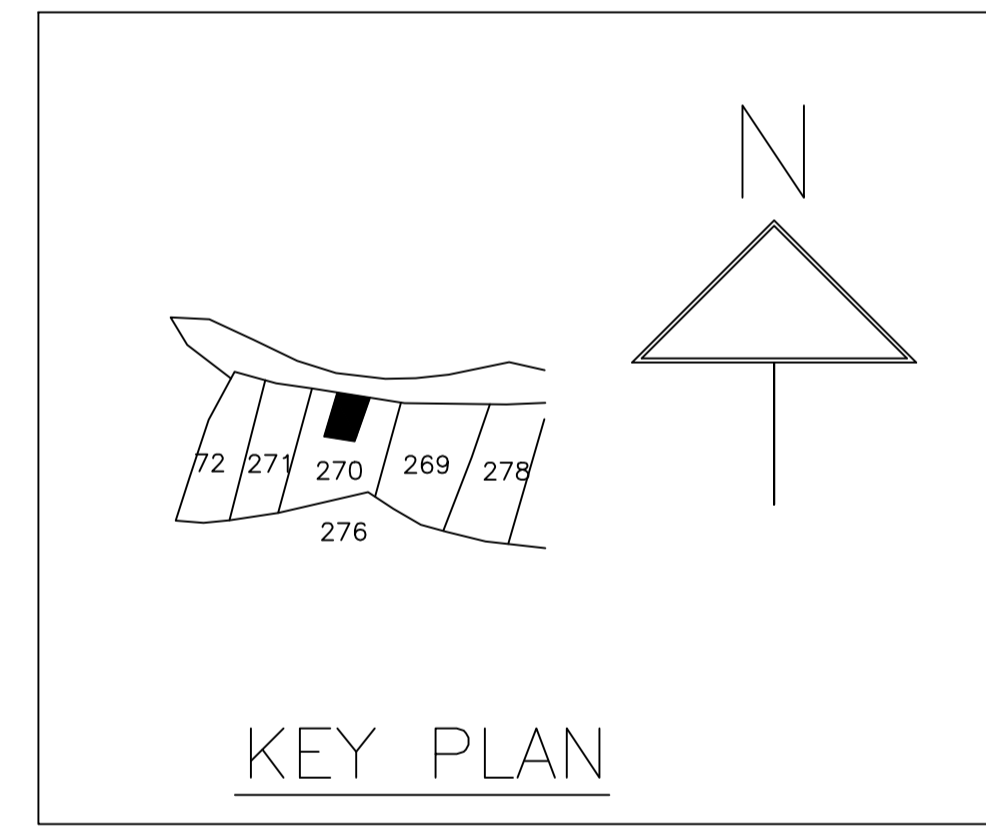
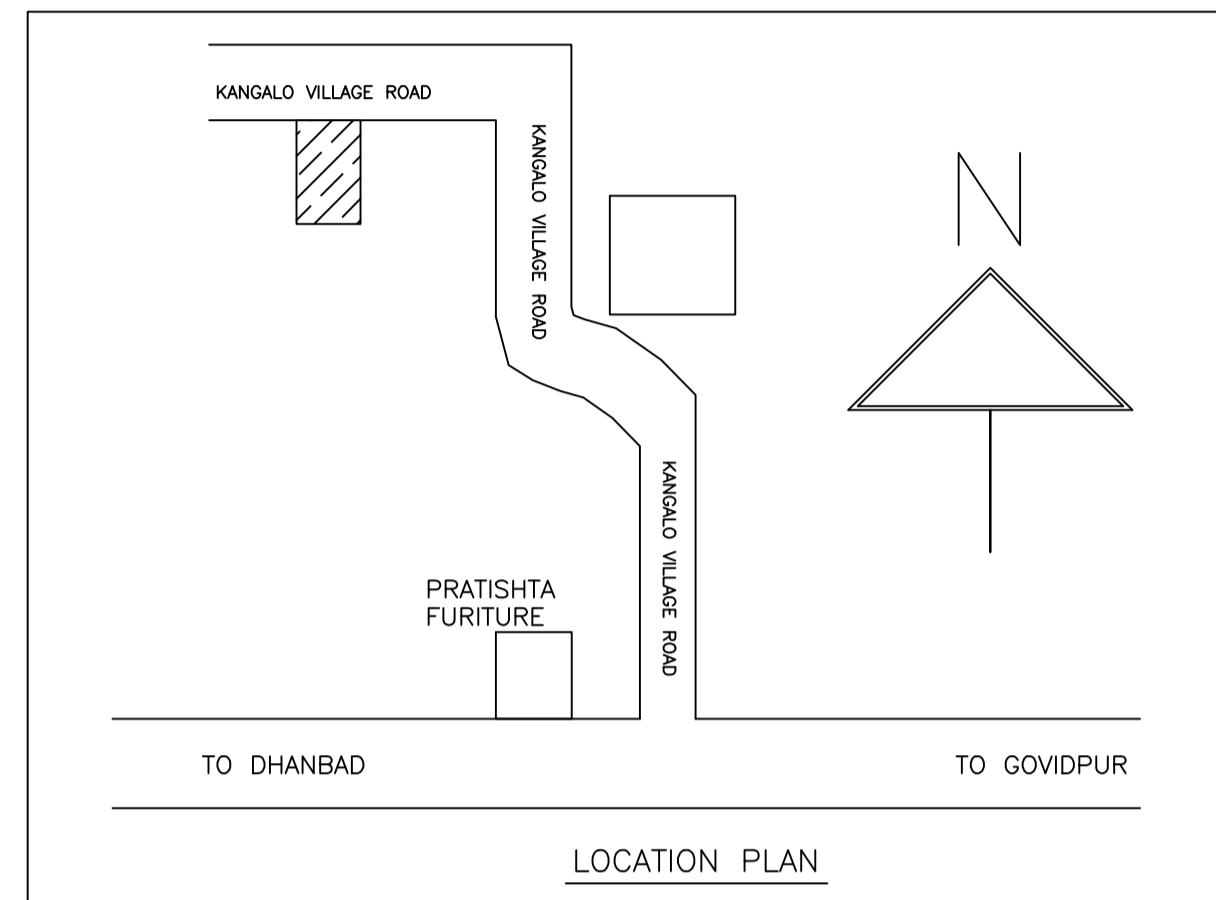


SITE PLAN

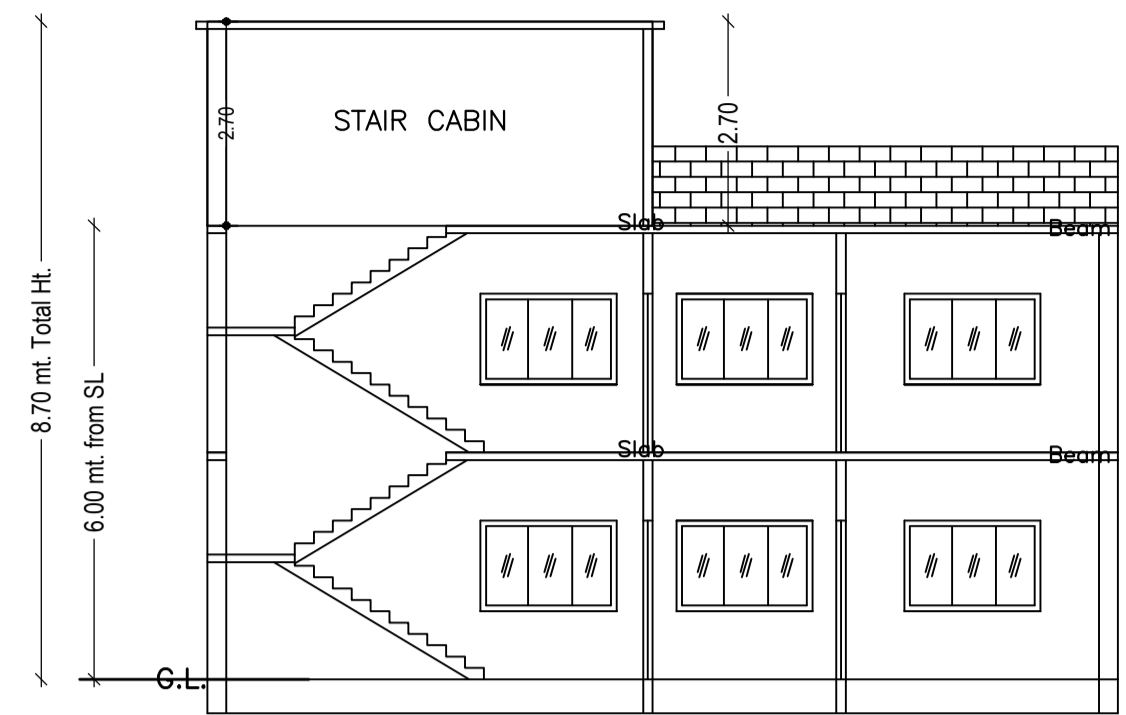
SITE PLAN



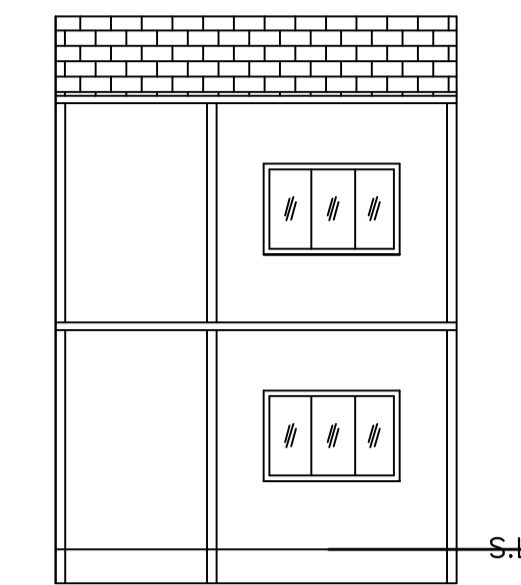
KEY PLAN



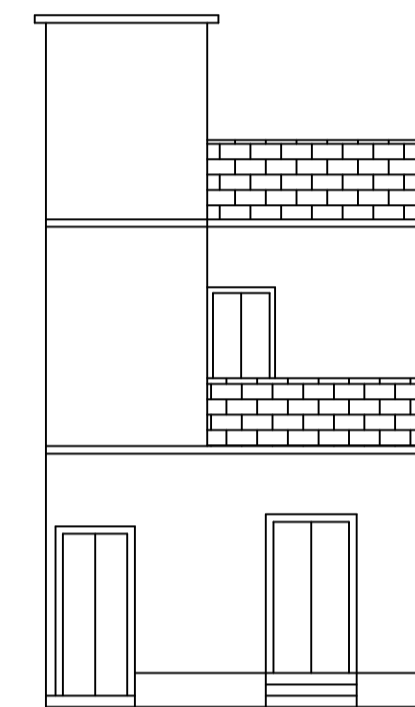
LOCATION PLAN



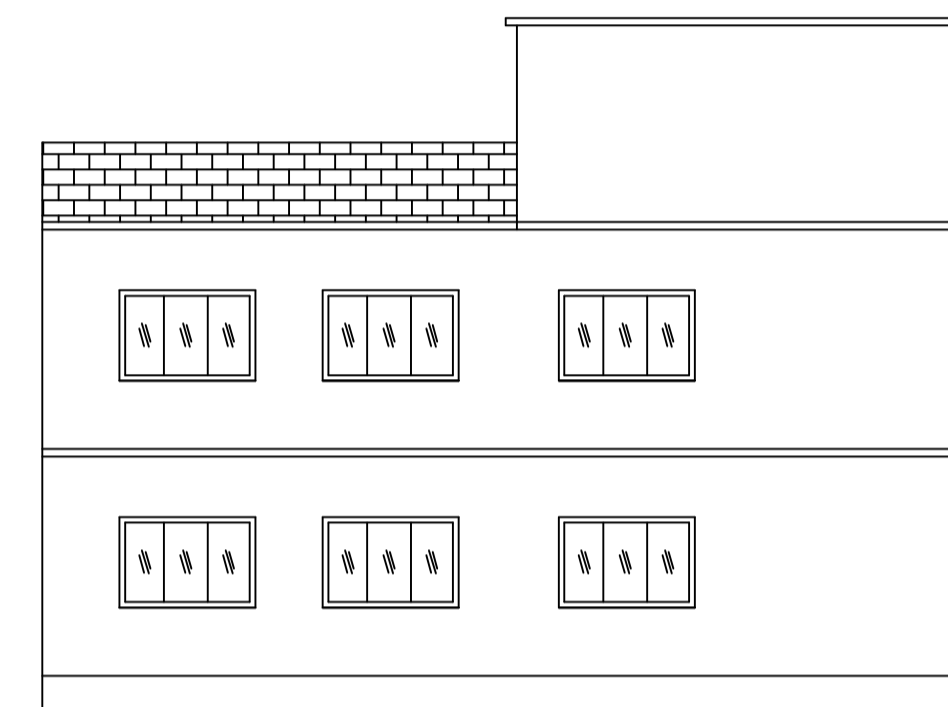
SECTION ON X-X



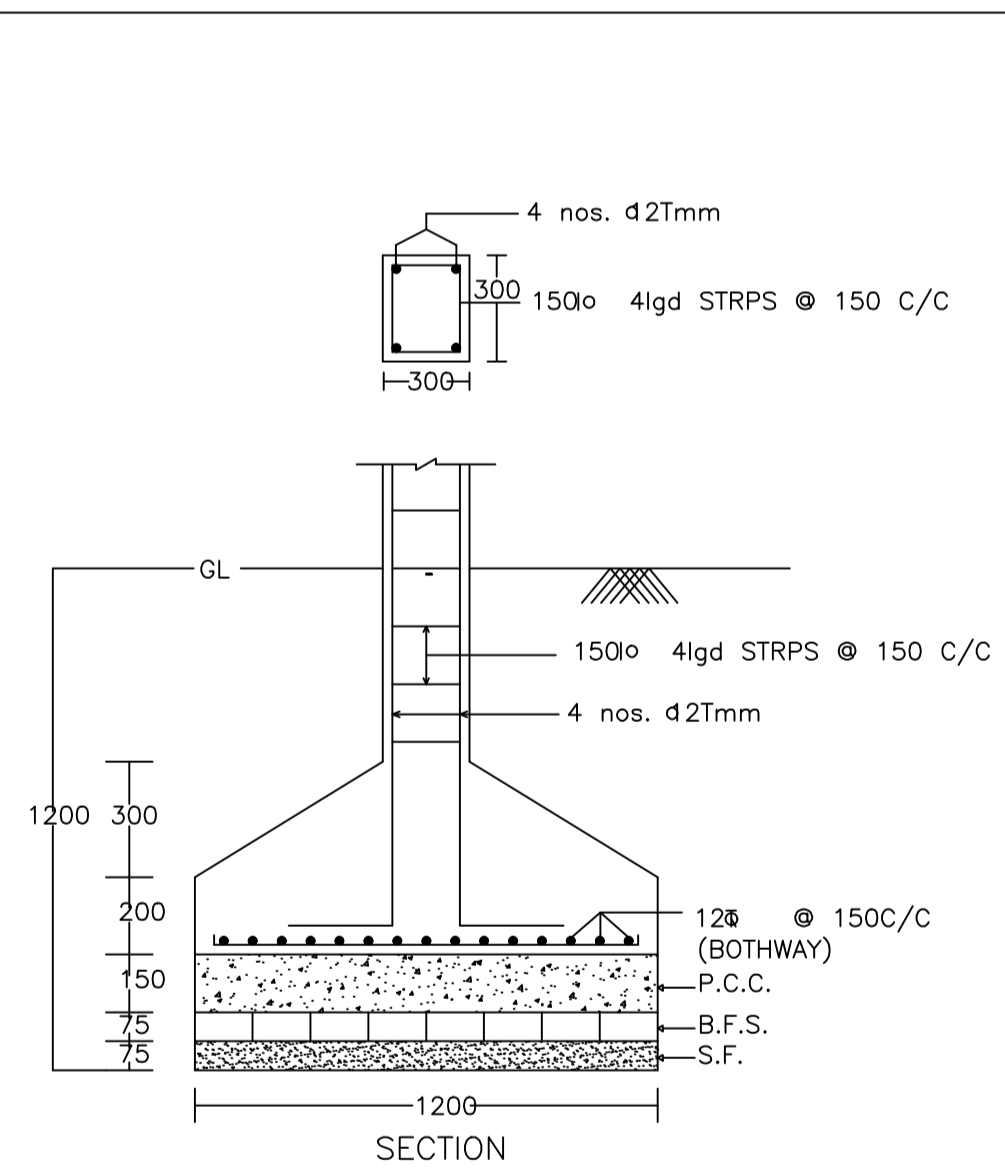
SECTION ON Y-Y



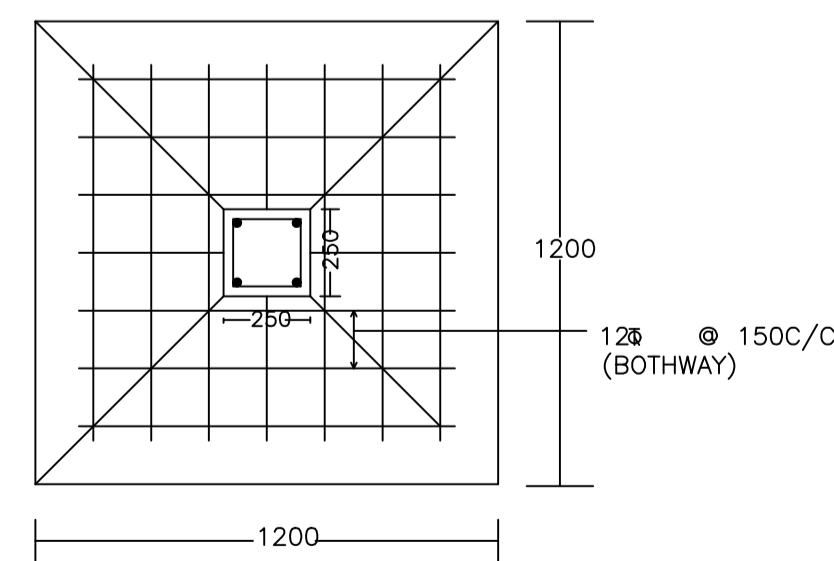
FRONT ELEVATION



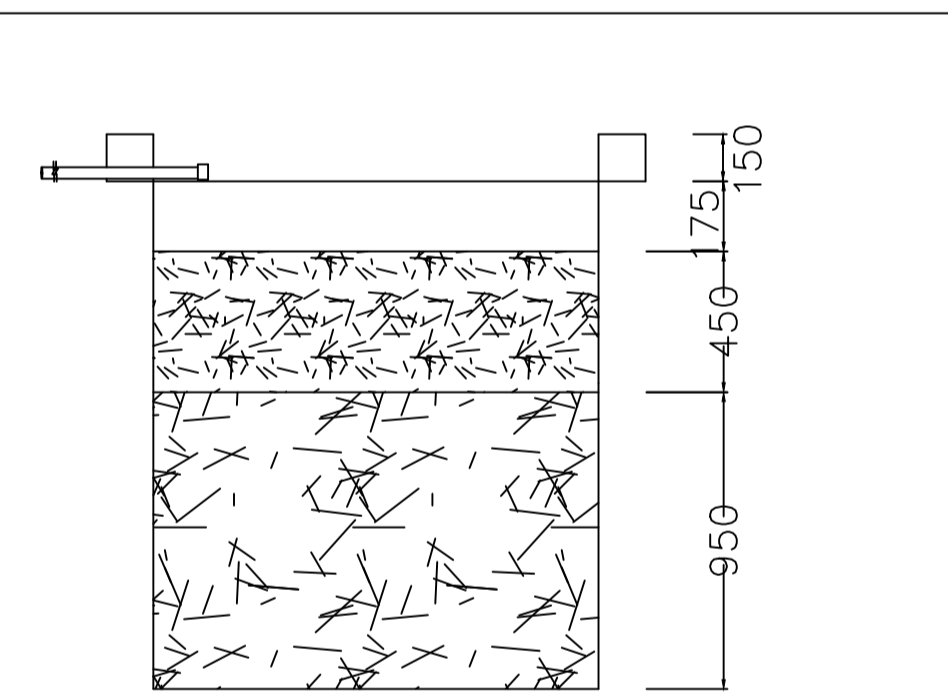
LEFT SIDE ELEVATION



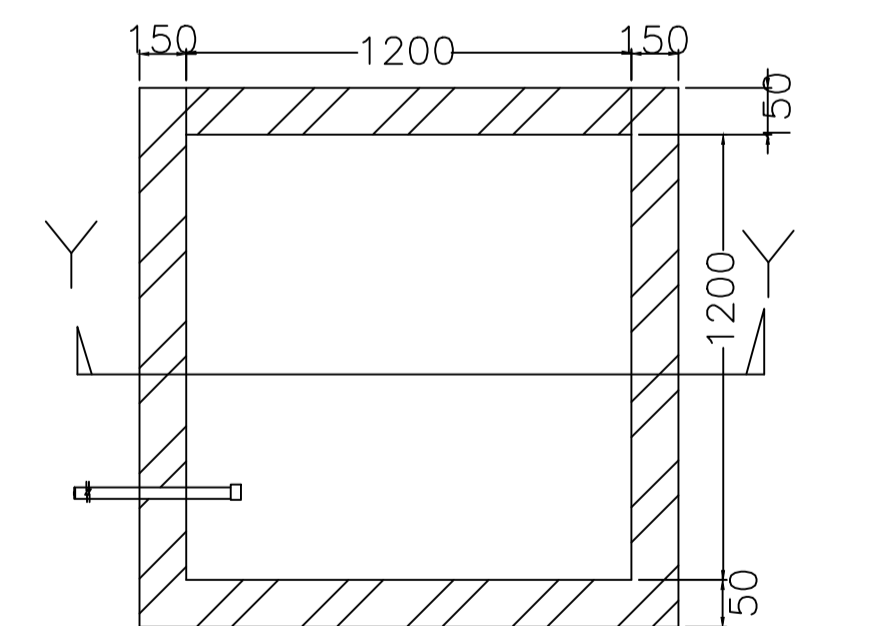
SECTION



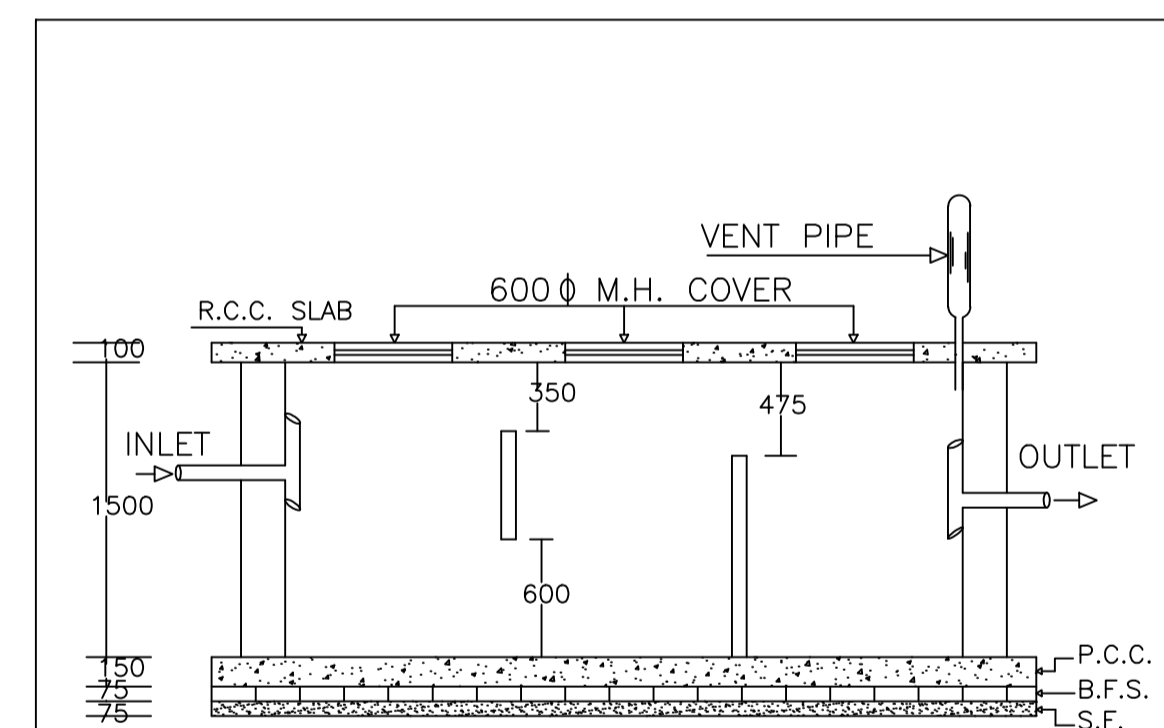
PLAN
DETAIL OF COLUMNS



SECTION AT Y-Y



PLAN OF RECHARGE WELL
WATER HARVESTING



PLAN OF SEPTIC TANK

SCHEDULE OF DOOR:

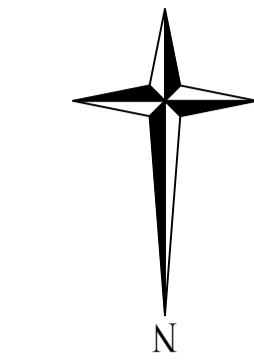
BUILDING NAME	NAME	LENGTH	HEIGHT	NOS
AA (AA)	D	0.75	2.10	02
AA (AA)	D	0.90	2.10	03
AA (AA)	D	1.05	2.10	06
AA (AA)	D	1.20	2.10	01

SCHEDULE OF WINDOW/VENTILATION:

BUILDING NAME	NAME	LENGTH	HEIGHT	NOS
AA (AA)	W	0.60	1.20	02
AA (AA)	W	1.80	1.20	10

Building :AA (AA)

Floor Name	Total Built Up Area (Sq.mt.)	Proposed FAR Area (Sq.mt.) Resi.	Total FAR Area (Sq.mt.)	Total Consumed Additional FAR Area (Sq.mt.)	Tnmt (No.)
Ground Floor	61.40	61.40	61.40	61.40	01
First Floor	61.40	61.40	61.40	61.40	00
Terrace Floor	0.00	0.00	0.00	0.00	00
Total :	122.80	122.80	122.80	122.80	01
Total Number of Same Buildings :	1				
Total :	122.80	122.80	122.80	122.80	01



Proposal Basic Information

Proposal File No.	MADA/BP/0062/2022
Owner Name	SHWETA
Khata No	OLD-03 NEW-72
Plot No	OLD-270 NEW-328
Village Name	Kangalo
Use	Residential
SubUse	Bungalow/ Dwelling / Non Apartment

AREA STATEMENT MINERAL AREA DEVELOPMENT AUTHORITY	VERSION NO.: 1.0.62	VERSION DATE: 16/10/2020
PROJECT DETAIL:		
Region: JHARKHAND URBAN LOCAL BODIES	Plot Use: Residential	
District: DHANBAD	Plot SubUse: Bungalow/ Dwelling / Non Apartment	
Authority: MINERAL AREA DEVELOPMENT AUTHORITY	PlotNearby/Religious/Structure: NA	
Inward No: MADA/BP/0062/2022	Plot/SubPlot No: OLD-270 NEW-328	
Application Type: General Proposal	North: Road Width - 6.7	
Project Type: Building Permission	South: Plot No. - PART OF THIS PLOT	
Nature of Development: New	East: Plot No. - PART OF THIS PLOT	
Location of Development Area: Old Area	West: Plot No. - ATUL KUMAR SAW	
AREA DETAILS:		
AREA OF PLOT (Minimum)	(A)	100.54
NET AREA OF PLOT(Gross Plot Area - Deduction from Gross Plot area)	(A-Deductions)	100.54
Deduction for Balance Plot Area(from Gross Plot Area)		
Common Plot		19.55
Total		19.55
BALANCE AREA OF PLOT(Net Plot Area - Recreational/Amenity space)	(A-Deductions)	80.99
PLOT AREA FOR COVERAGE(Net Plot Area)	(A-Deductions)	100.54
Plot Area for FAR (Net Plot Area + Road/Widening Area)	(A-Deductions)	100.54
COVERAGE CHECK		
Permissible Coverage area (70.00 %)		70.38
Proposed Coverage Area (61.07 %)		61.40
Total Prop. Coverage Area (61.07 %)		61.40
Balance coverage area (8.93 %)		8.98
FAR CHECK		
Perm. FAR Area (2.50)		251.35
Total Perm. FAR area		251.35
Residential FAR		122.81
Proposed FAR Area		122.81
Total Proposed FAR Area		122.81
Consumed FAR (Factor)		1.22
Balance FAR Area		128.54
BUILT UP AREA CHECK		
Total Proposed BuiltUp Area		122.80
ARCHITECT (Regd) RAJEEV RANJAN SINGH		
ENGINEER (Regd)		
SUPERVISOR (Regd)		
OWNER (Regd) SHWETA		
DEVELOPMENT AUTHORITY		LOCAL BODY

COLOR INDEX	
PLOT BOUNDARY	
ABUTTING ROAD	
PROPOSED CONSTRUCTION	
COMMON PLOT	
ROAD WIDENING AREA	
EXISTING (To be retained)	
EXISTING (To be demolished)	

Buildingwise Floor FAR Details

Floor Name	Building Name AA (AA)		Total	
	Proposed Built Up Area (Sq.mt.)	Proposed FAR Area (Sq.mt.)	Total Proposed Built Up Area (Sq.mt.)	Total FAR Area (Sq.mt.)
Ground Floor	61.40	61.40	61.40	61.40
First Floor	61.40	61.40	61.40	61.40
Terrace Floor	0.00	0.00	0.00	0.00
Total :	122.80	122.80	122.80	122.80

Building USE/SUBUSE Details

Building Name	Building Use	Building SubUse	Building Structure
AA (AA)	Residential	Residential Bldg/Apartment	Non-Highrise

FAR & Tenement Details (Table 4c-1)

Building	No. of Same Bldg	Total Built Up Area (Sq.mt.)	Proposed FAR Area (Sq.mt.) Resi.	Total FAR Area (Sq.mt.)	Total Consumed Additional FAR Area (Sq.mt.)	Tnmt (No.)
AA (AA)	1	122.80	122.80	122.80	122.80	01
Grand Total :	1	122.80	122.80	122.80	122.80	01

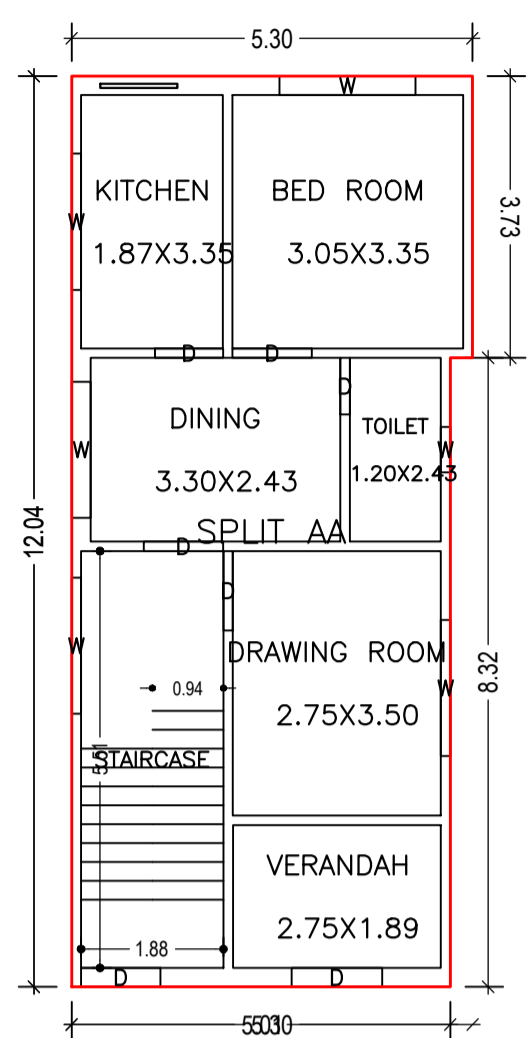
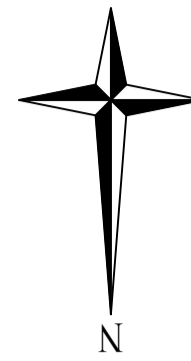
UnitBUA Table for Building :AA (AA)

FLOOR	Name	UnitBUA Type	UnitBUA Area	Carpet Area	No. of Rooms	No. of Tenement
GROUND FLOOR PLAN	SPLIT AA	FLAT	122.81	122.70	6	1
FIRST FLOOR PLAN	SPLIT AA	FLAT	0.00	0.00	6	0
Total:	-	-	122.81	122.70	12	1

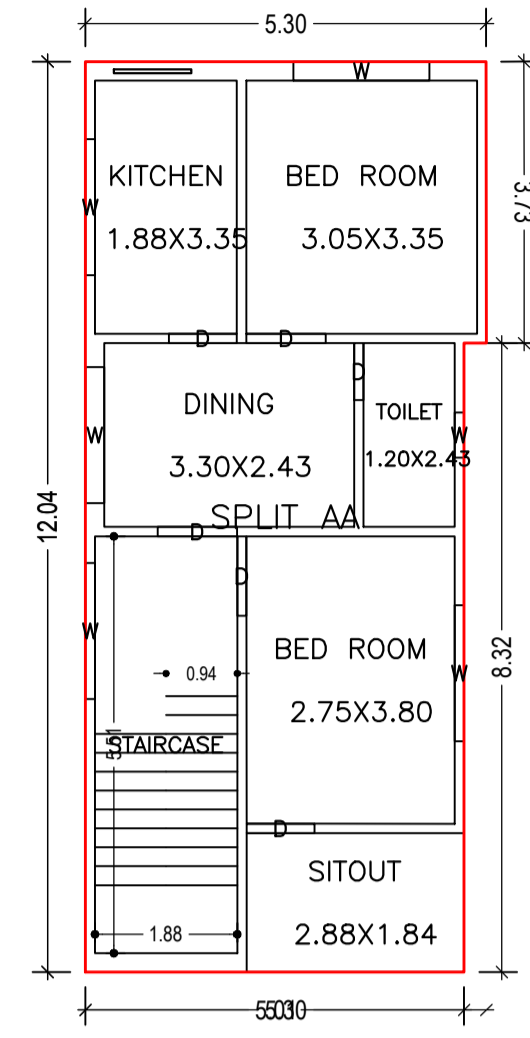
LTP NAME AND SIGNATURE	STRUCTURAL ENG'S NAME AND SIGNATURE	BUILDER NAME AND SIGNATURE	DIGITAL SIGNATURE
RAJEEV RANJAN SINGH MADA/ENG/0004/2019			

Proposal Basic Information

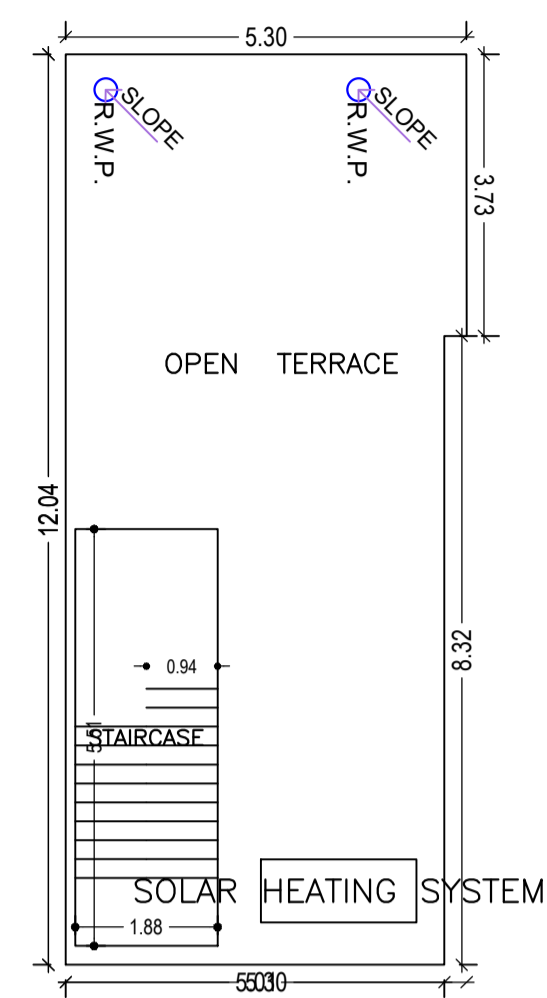
Proposal File No.	MADA/BP/0062/2022
Owner Name	SHWETA
Khata No	OLD-03 NEW-72
Plot No	OLD-270 NEW-328
Village Name	Kangalo
Use	Residential
SubUse	Bungalow/ Dwelling / Non Apartment



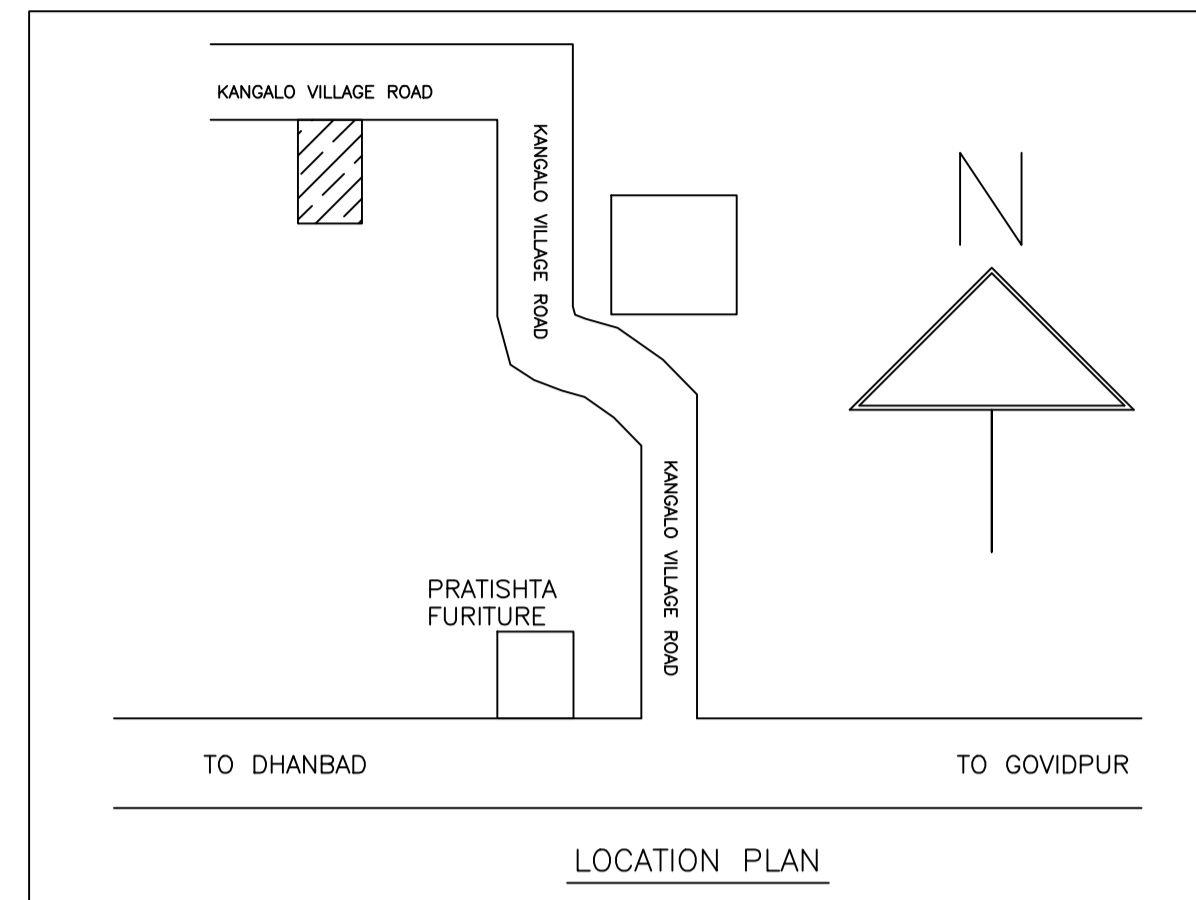
GROUND FLOOR PLAN
(Proposed)
(SCALE 1:100)



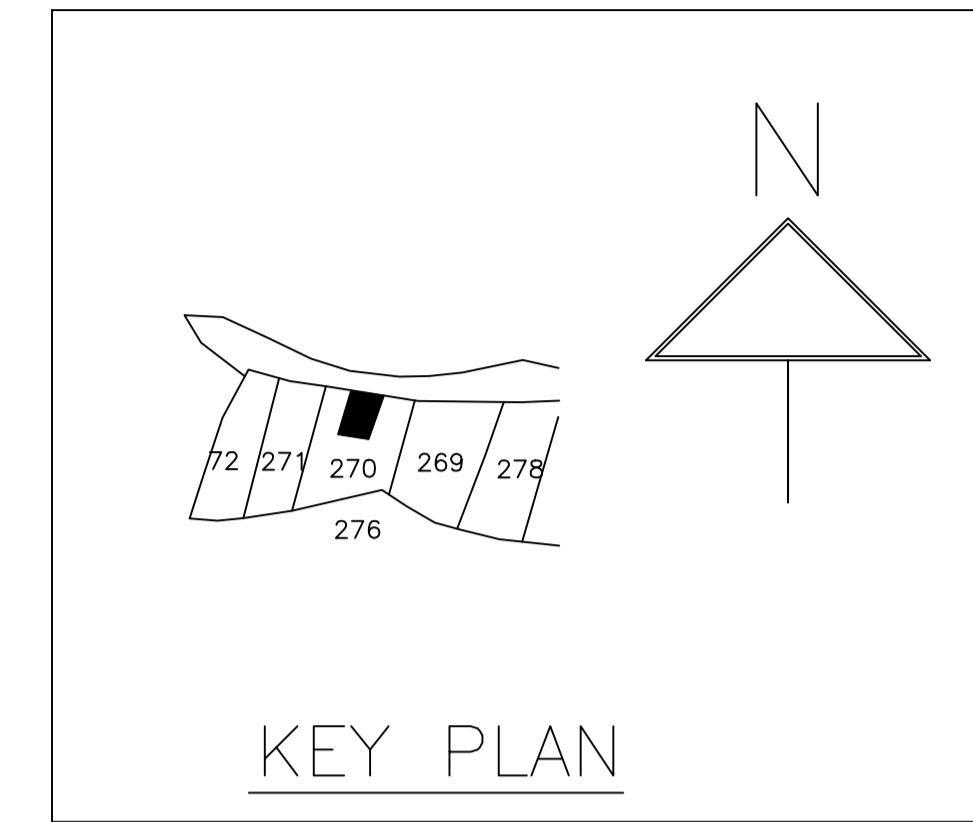
FIRST FLOOR PLAN
(Proposed)
(SCALE 1:100)



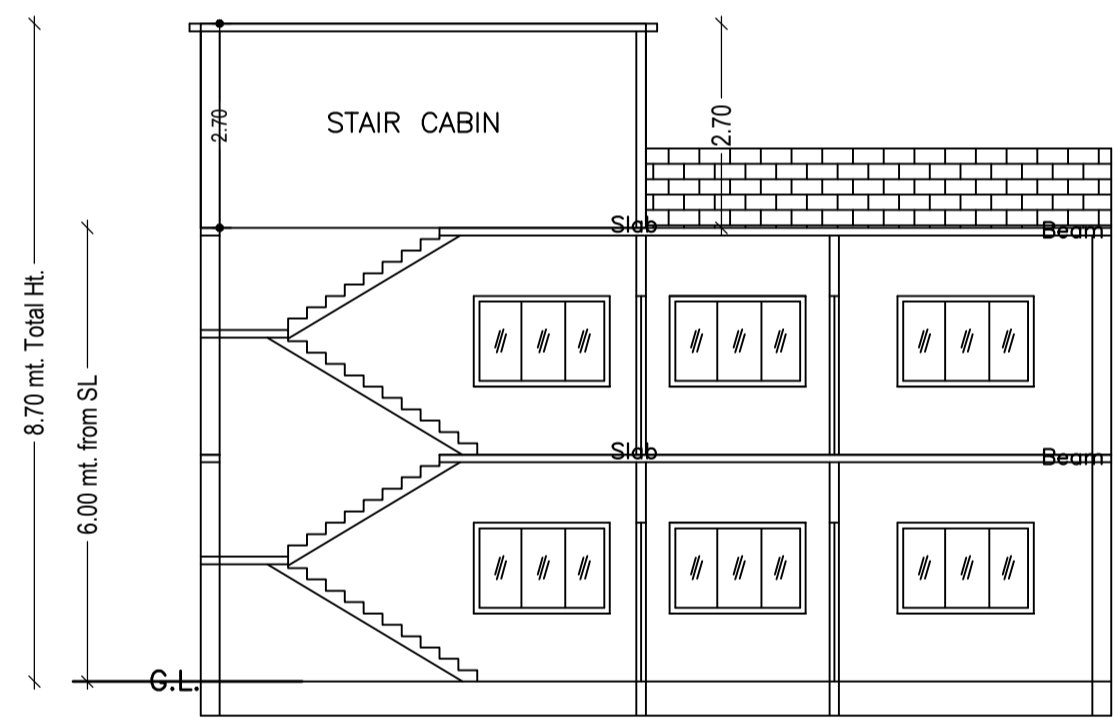
TERRACE FLOOR PLAN
(SCALE 1:100)



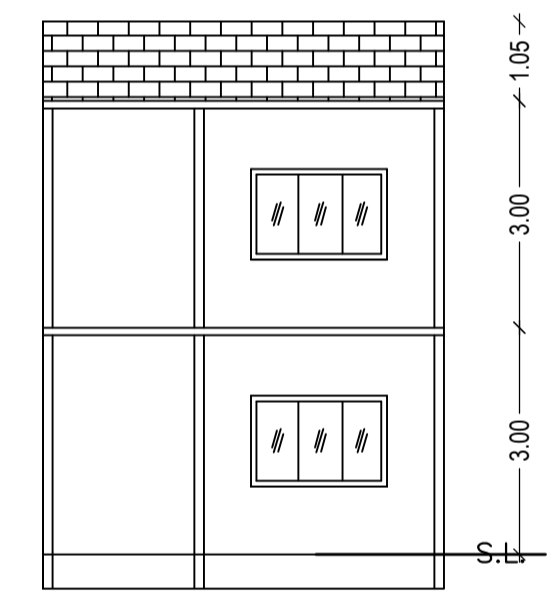
LOCATION PLAN



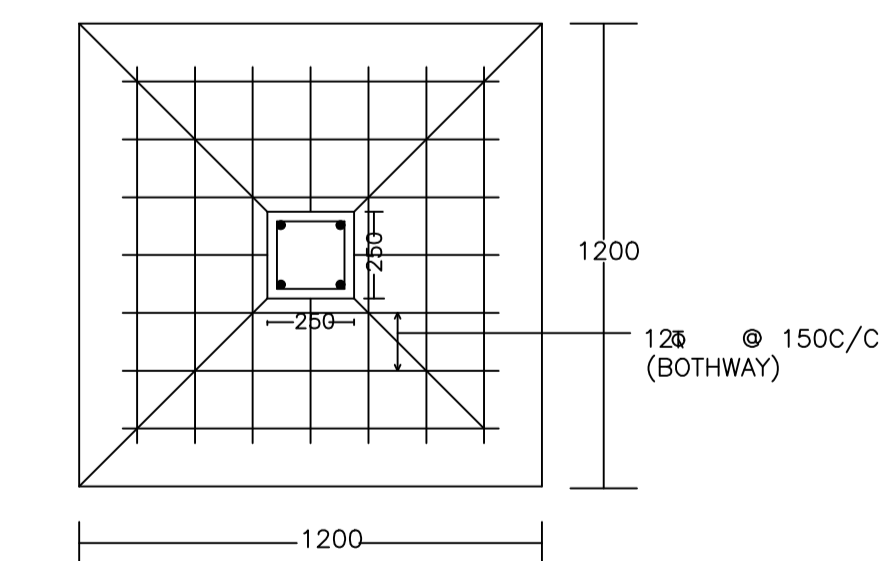
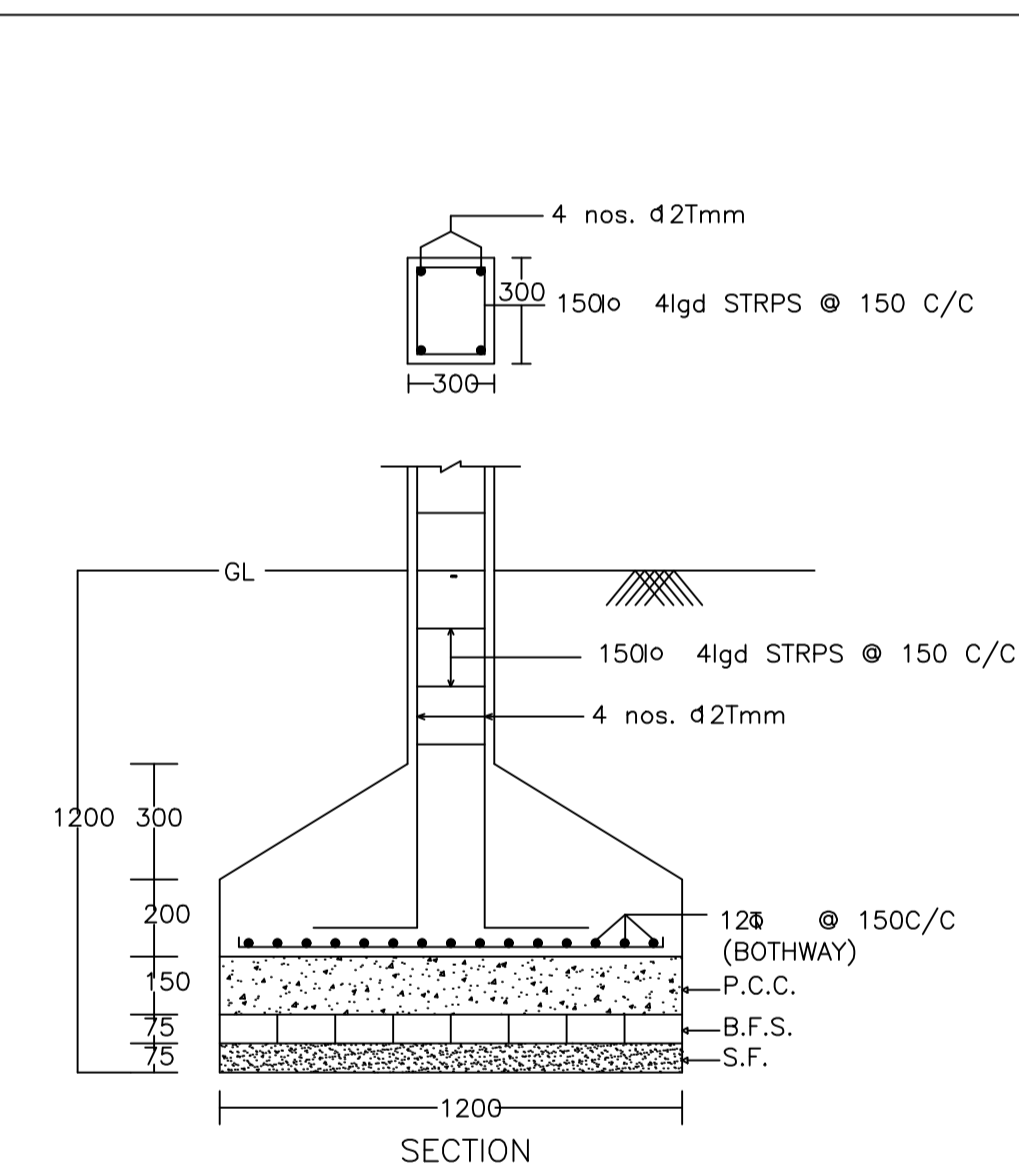
KEY PLAN



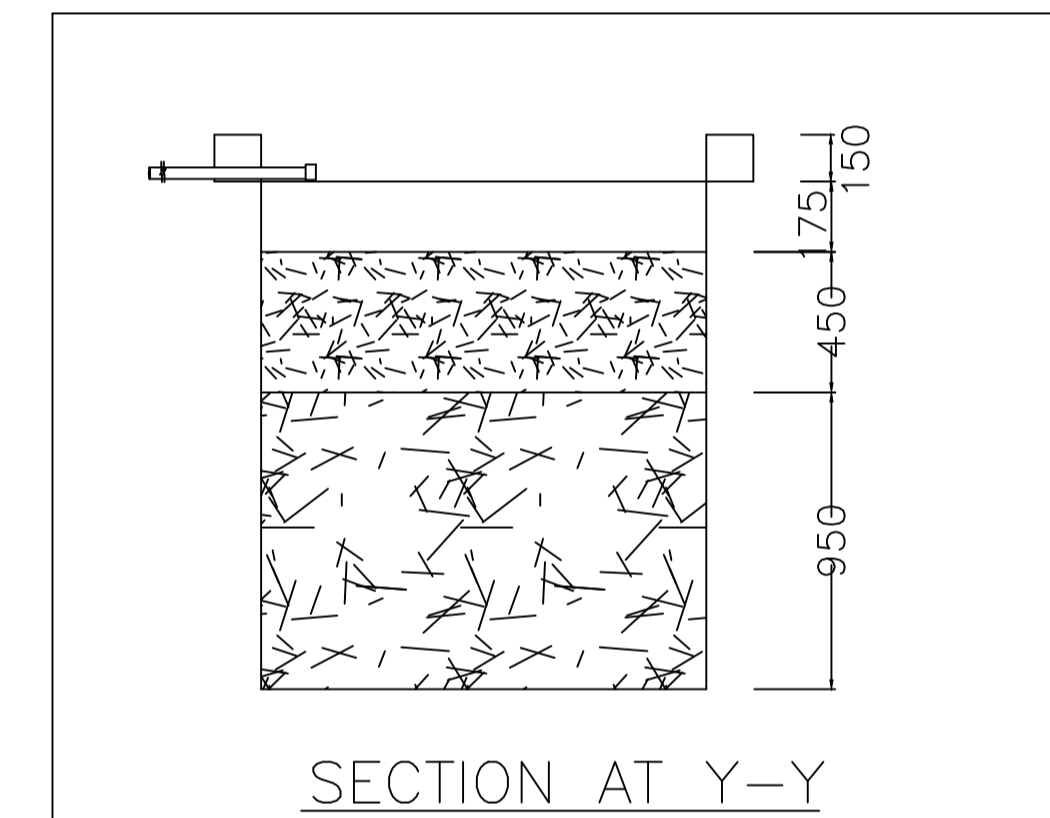
SECTION ON X-X



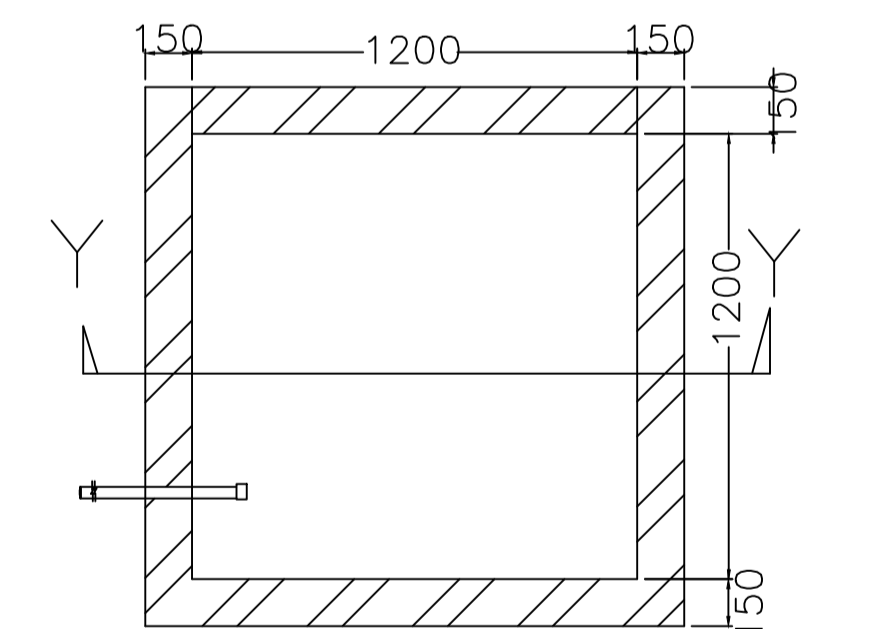
SECTION ON Y-Y



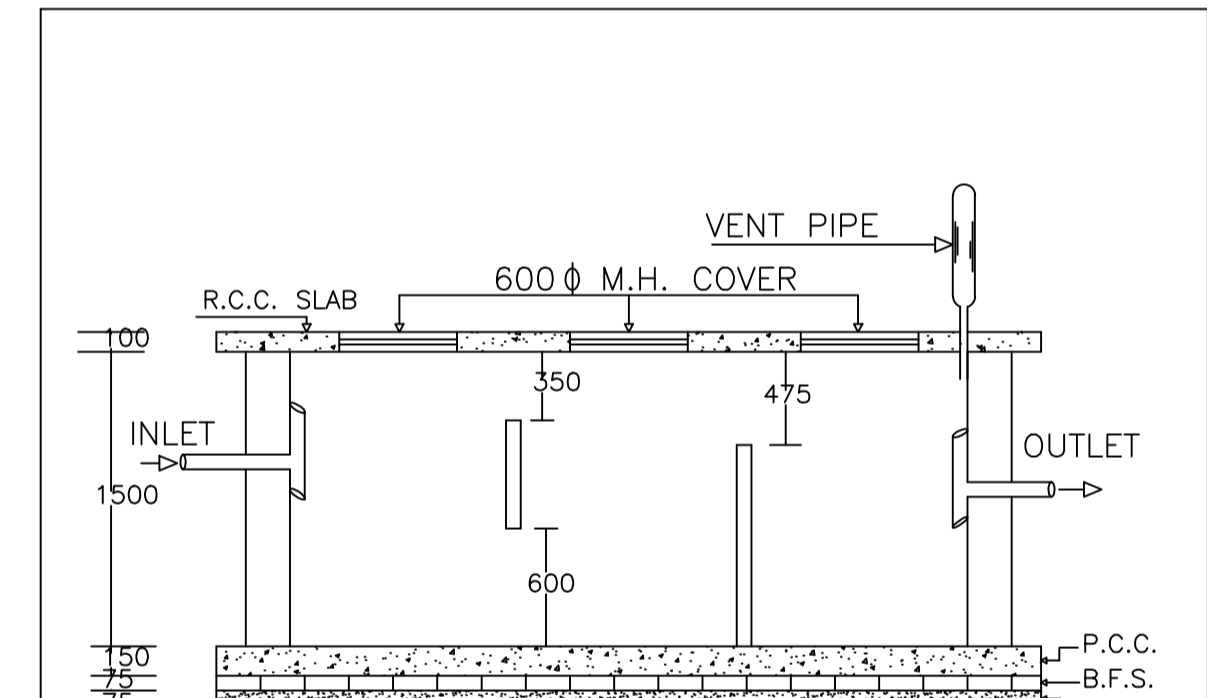
DETAIL OF COLUMNS



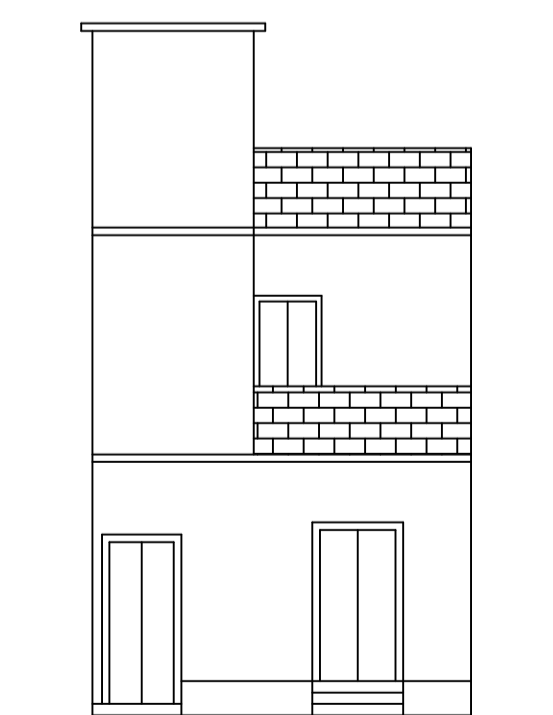
SECTION AT Y-Y



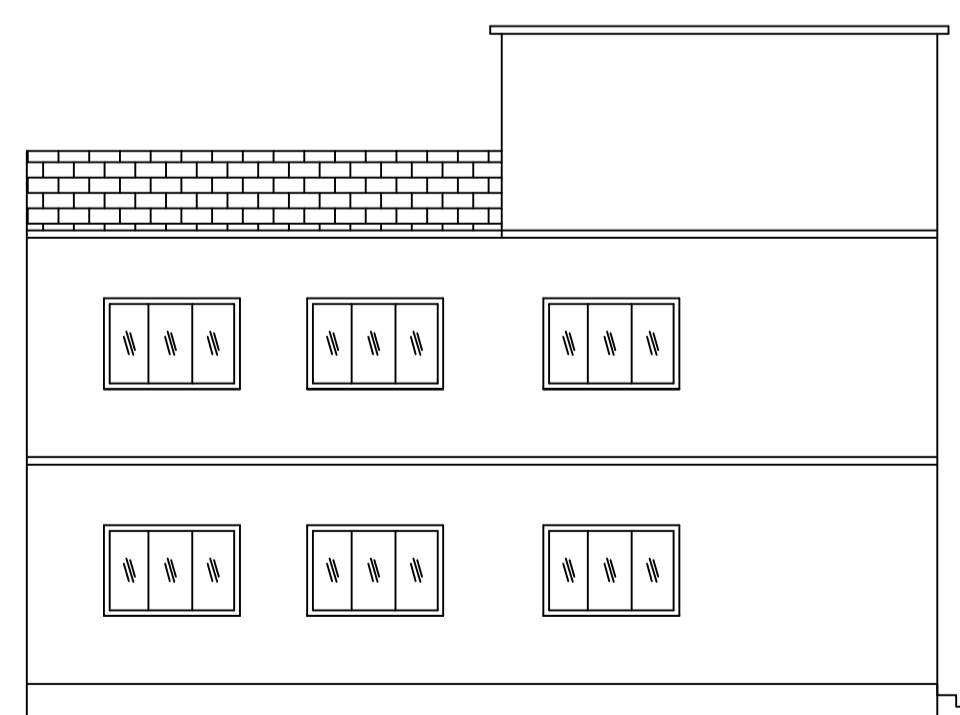
PLAN OF RECHARGE WELL
WATER HARVESTING



PLAN OF SEPTIC TANK



FRONT ELEVATION



LEFT SIDE ELEVATION

LTP NAME AND SIGNATURE	STRUCTURAL ENG'S NAME AND SIGNATURE	BUILDER NAME AND SIGNATURE	DIGITAL SIGNATURE
RAJEEV RANJAN SINGH MADA/ENG/0004/2019			