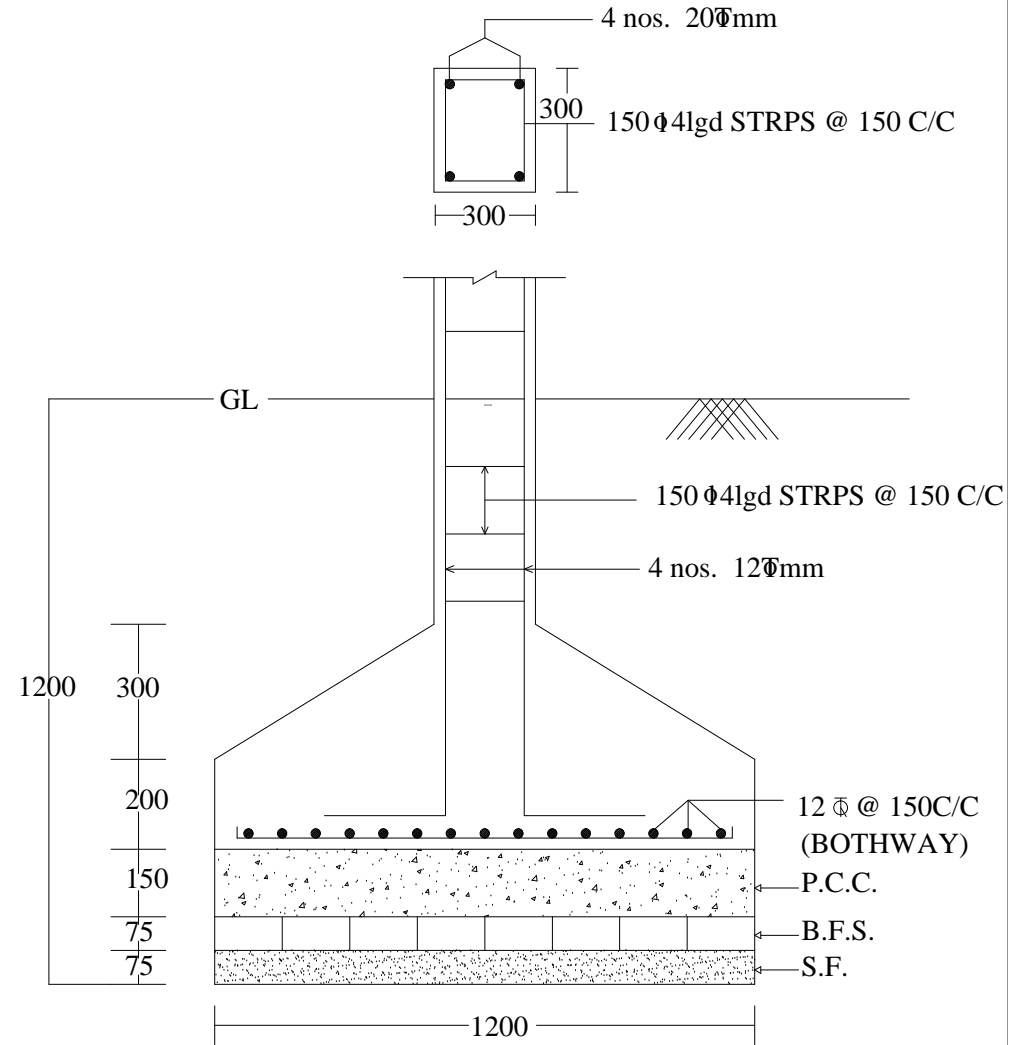


PLAN



SECTION

DETAIL OF COLUMNS