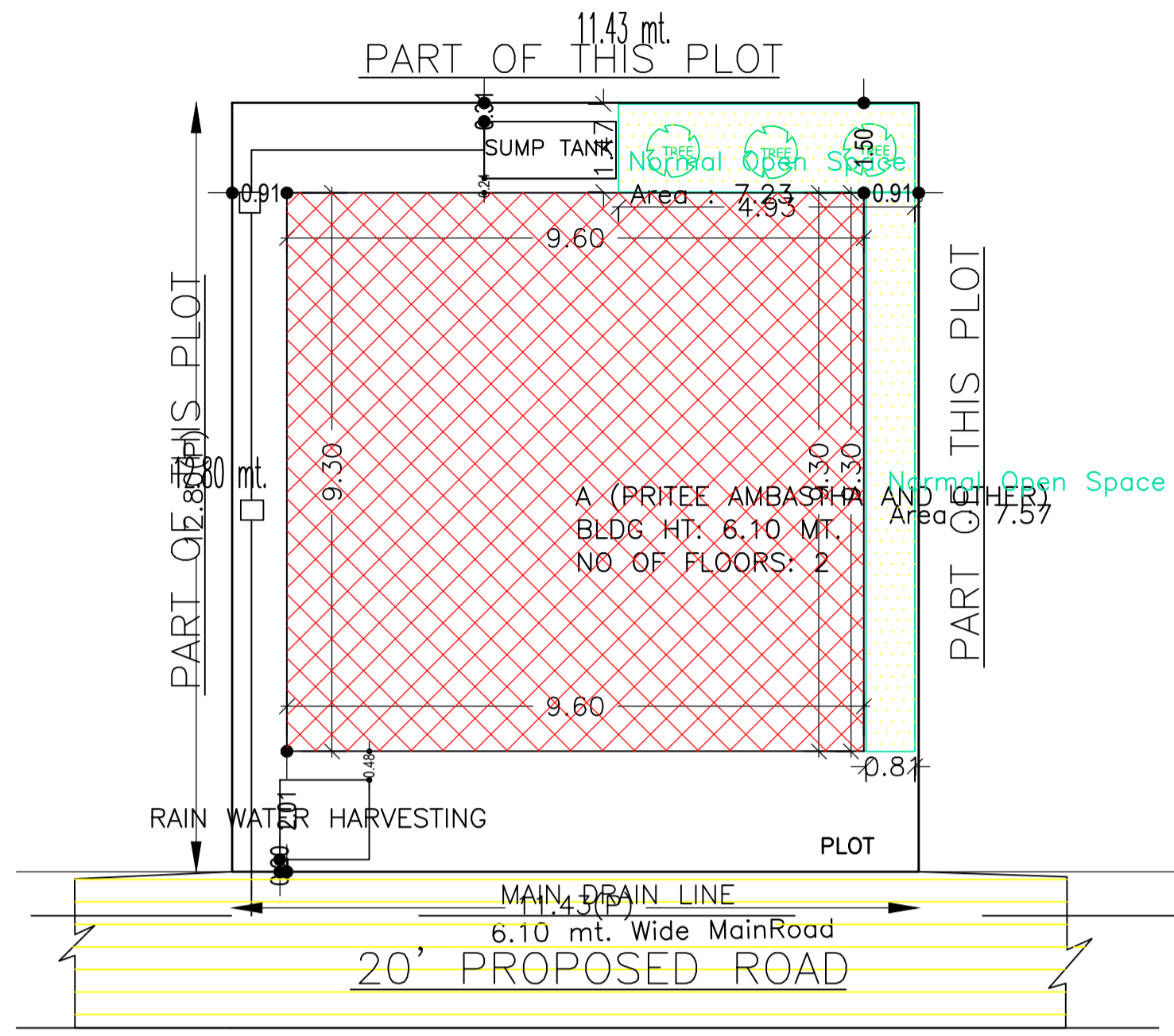


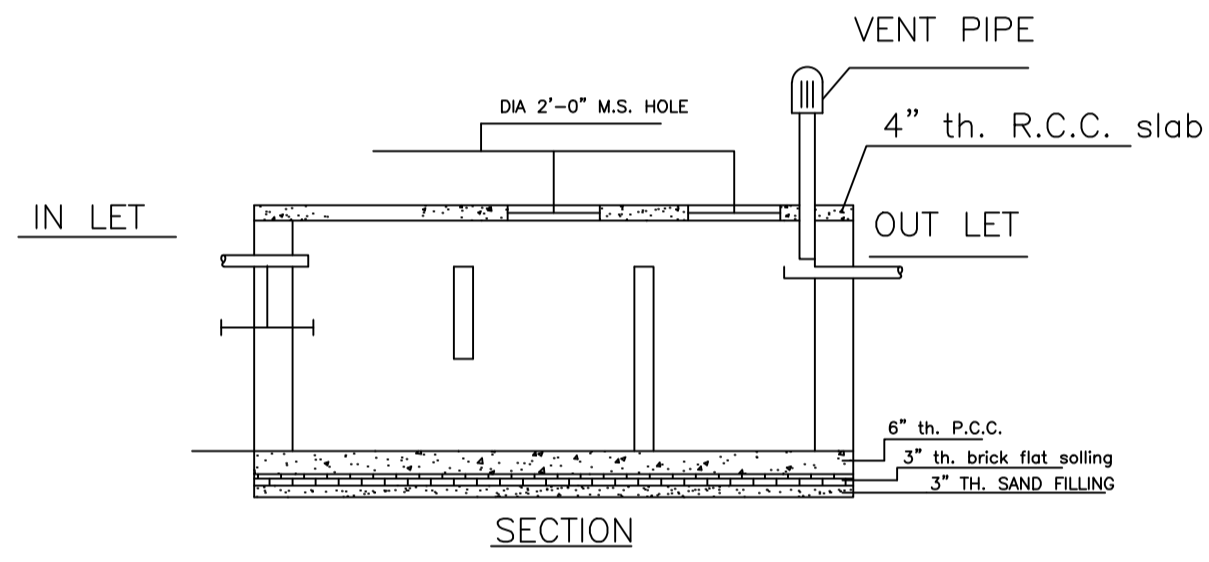
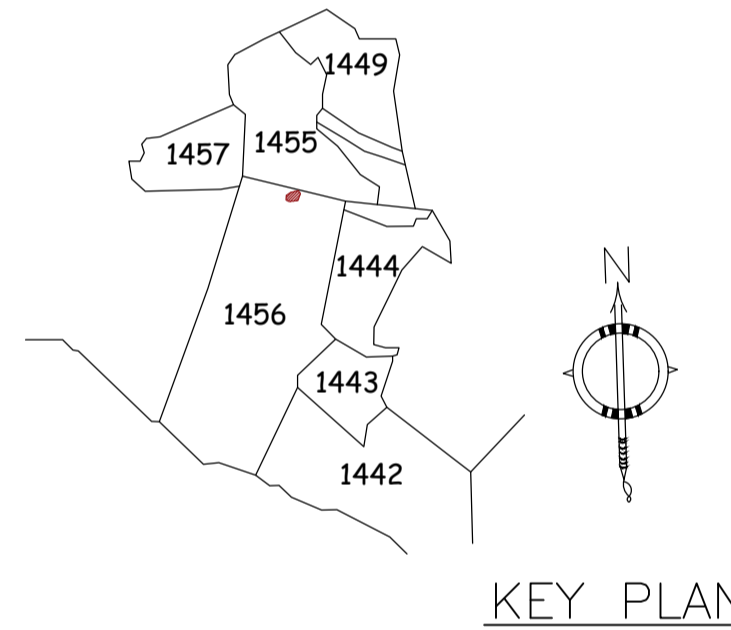
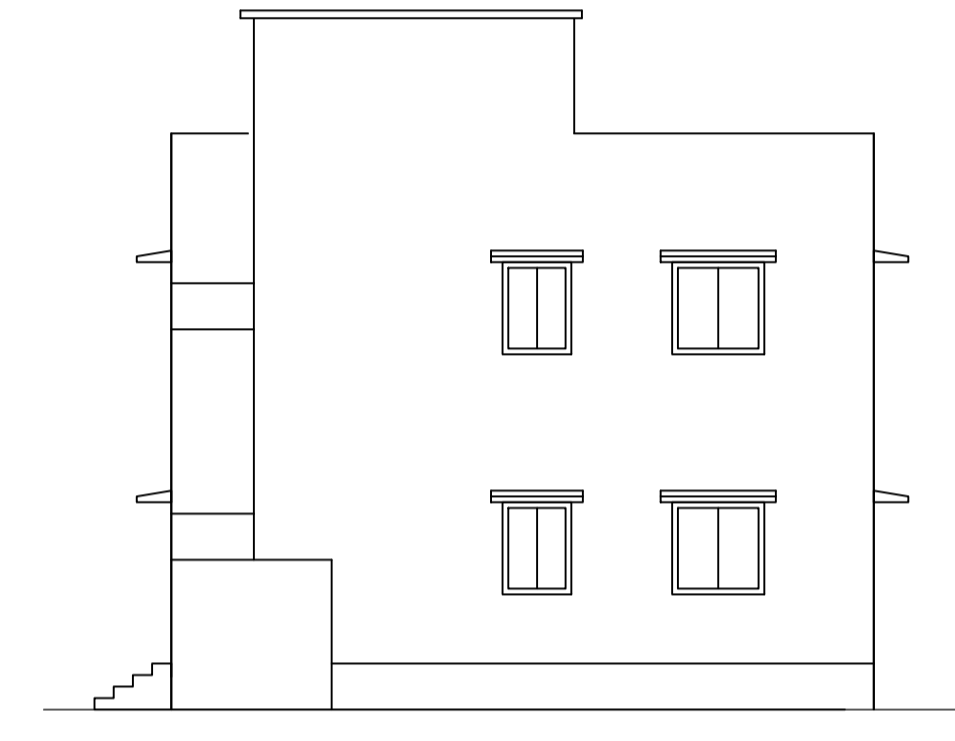
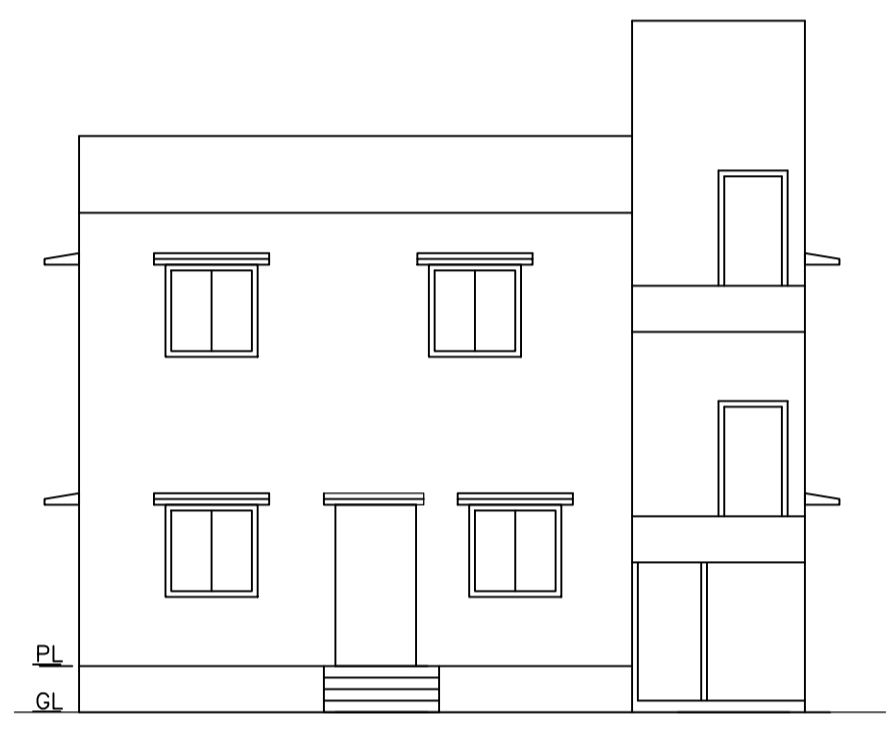
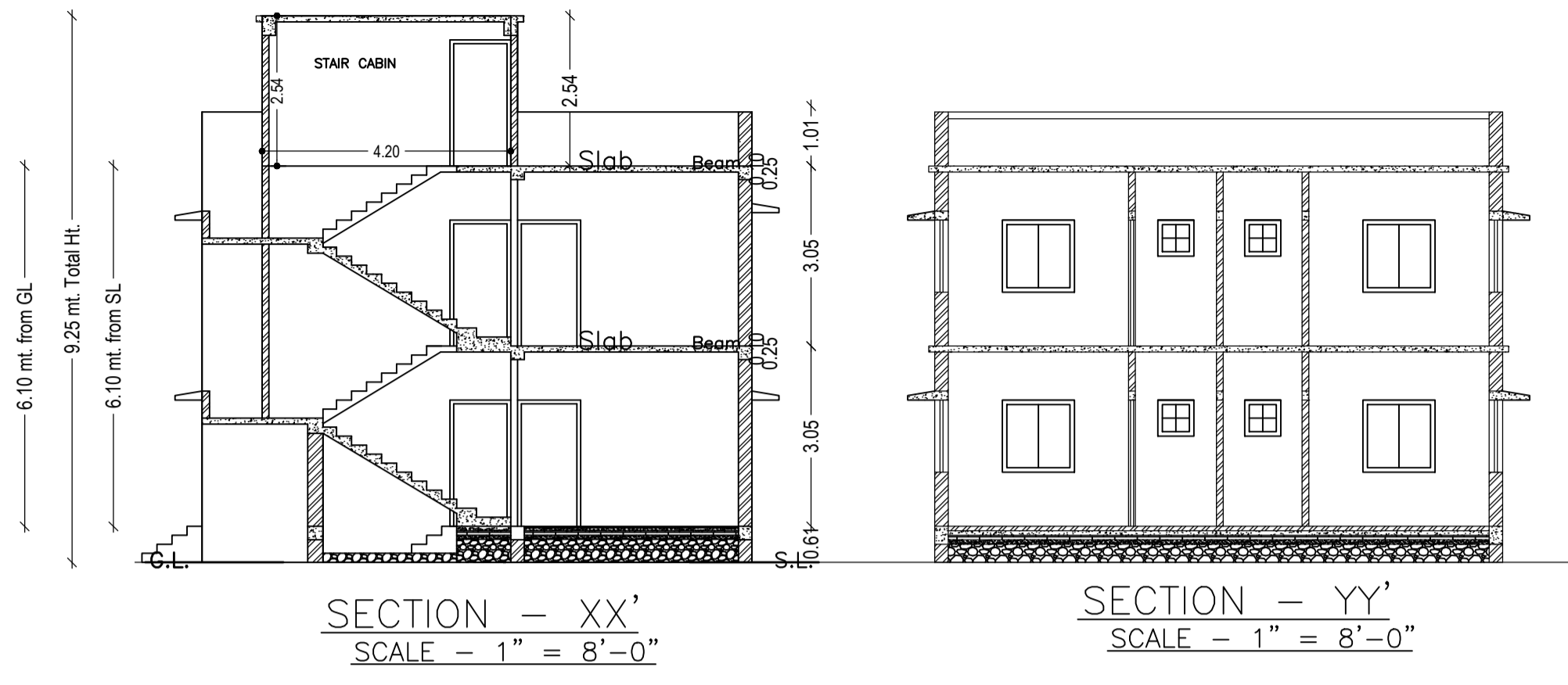
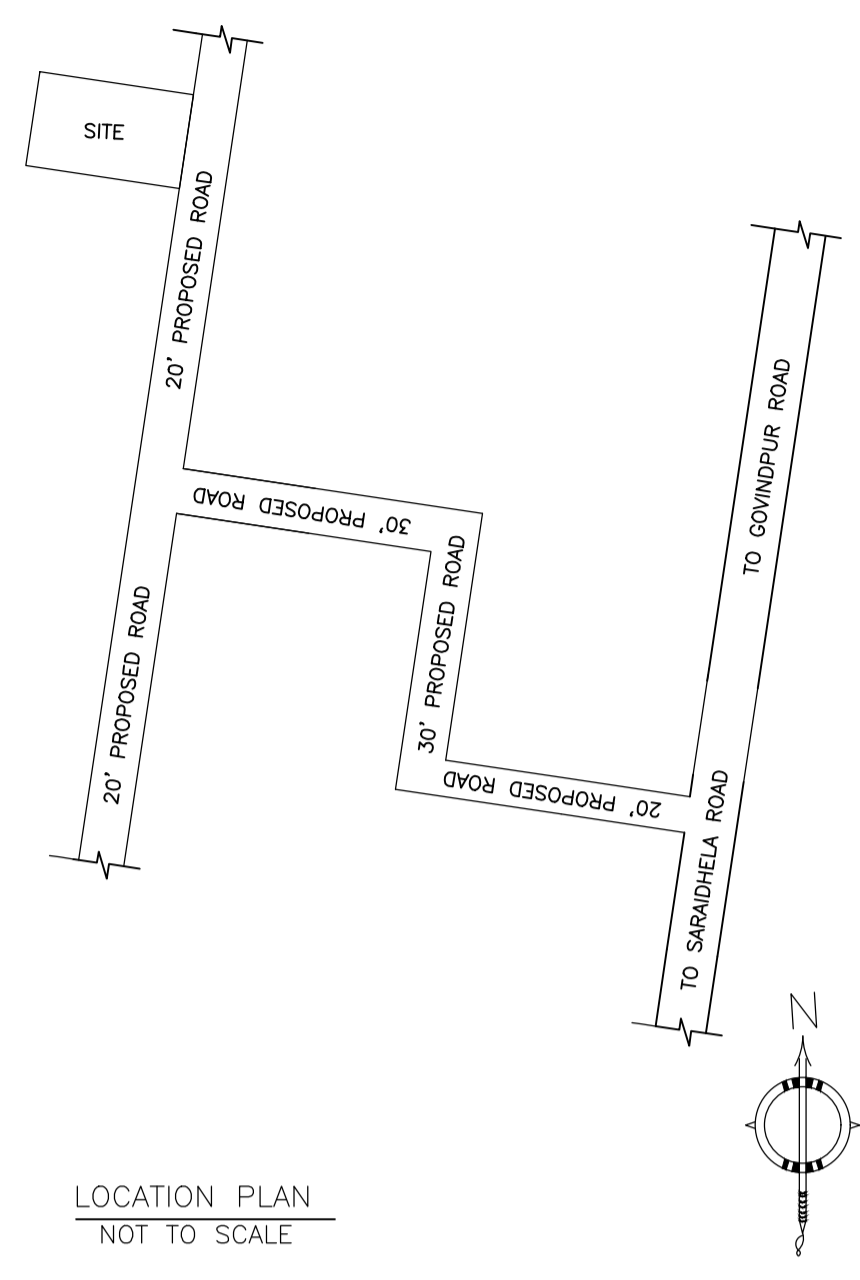
Proposal Basic Information

Proposal File No.	MADA/BP/0116/2022
Owner Name	1. SMT. PRITEE AMBASTHA AND 2. SRI. VIKASH KUMAR SINHA
Khata No	OLD KHATA NO-69, NEW KHATA NO-134
Plot No	OLD PLOT NO. 517, NEW PLOT NO. 1456
Village Name	Jialgora
Use	Residential
SubUse	Bungalow/ Dwelling / Non Apartment

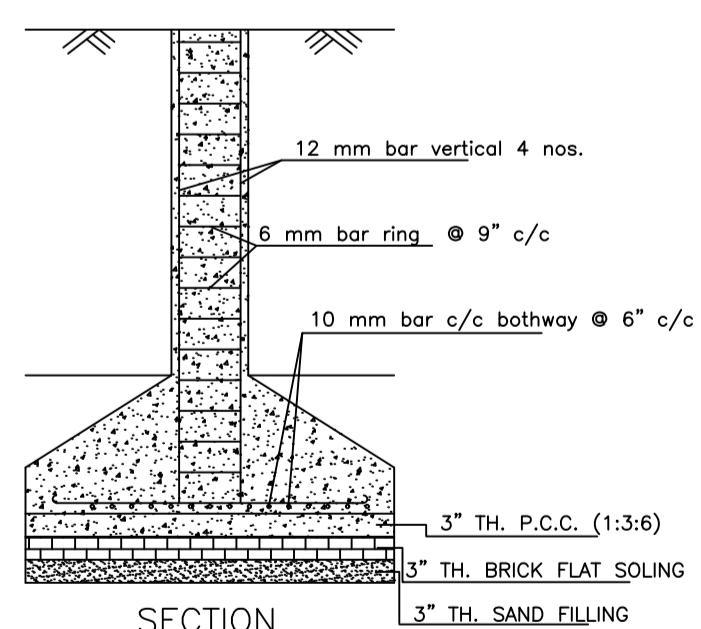
AREA STATEMENT MINERAL AREA DEVELOPMENT AUTHORITY	VERSION NO.: 1.0.62 VERSION DATE: 16/10/2020
PROJECT DETAIL:	
Region: JHARKHAND URBAN LOCAL BODIES	Plot Use: Residential
District: DHANBAD	Plot SubUse: Bungalow/ Dwelling / Non Apartment
Authority: MINERAL AREA DEVELOPMENT AUTHORITY	Plot/Nearby/Religious/Structure: NA
Inward No: MADA/BP/0116/2022	Plot/SubPlot No: OLD PLOT NO. 517, NEW PLOT NO. 1456
Application Type: General Proposal	North: Plot No. - SAME PLOT
Project Type: Building Permission	South: Plot No. - SAME PLOT
Nature of Development: New	East: Road Width - 6.10
Location of Development Area: Old Area	West: Plot No. - SAME PLOT
AREA DETAILS:	
AREA OF PLOT (Minimum)	(A) 146.27 SQ.MT.
NET AREA OF PLOT(Gross Plot Area - Deduction from Gross Plot area)	(A-Deductions) 146.27
Deduction for Balance Plot Area(from Gross Plot Area)	
Common Plot	14.80
Total	14.80
BALANCE AREA OF PLOT(Net Plot Area - Recreational/Amenity space)	(A-Deductions) 131.47
PLOT AREA FOR COVERAGE(Net Plot Area)	(A-Deductions) 146.27
Plot Area for FAR (Net Plot Area + Road Widening Area)	(A-Deductions) 146.27
COVERAGE CHECK	
Permissible Coverage area (70.00 %)	102.39
Proposed Coverage Area (61.03 %)	89.26
Total Prop. Coverage Area (61.03 %)	89.26
Balance coverage area (8.98 %)	13.13
FAR CHECK	
Perm. FAR Area (2.50)	365.68
Total Perm. FAR area	365.68
Residential FAR	178.51
Proposed FAR Area	178.51
Total Proposed FAR Area	178.51
Consumed FAR (Factor)	1.22
Balance FAR Area	187.17
BUILT UP AREA CHECK	
Total Proposed BuiltUp Area	179.68
ARCHITECT (Regd)	RAM PRATAP SINGH
ENGINEER (Regd)	
SUPERVISOR (Regd)	
OWNER (Regd)	1. SMT. PRITEE AMBASTHA AND 2. SRI. VIKASH KUMAR SINHA
DEVELOPMENT AUTHORITY	LOCAL BODY



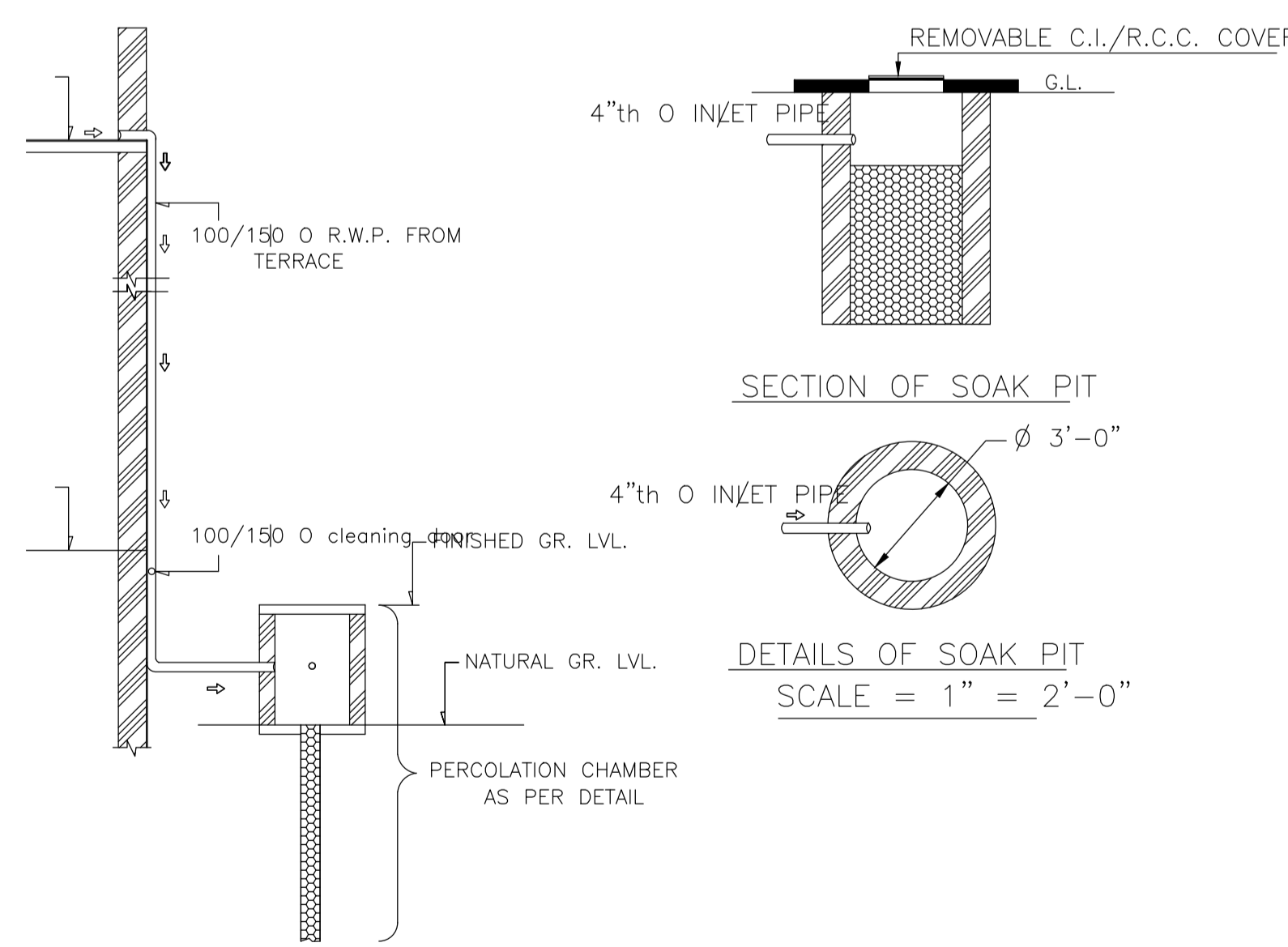
SITE PLAN  
SCALE - 1" = 16'-0" SITE PLAN



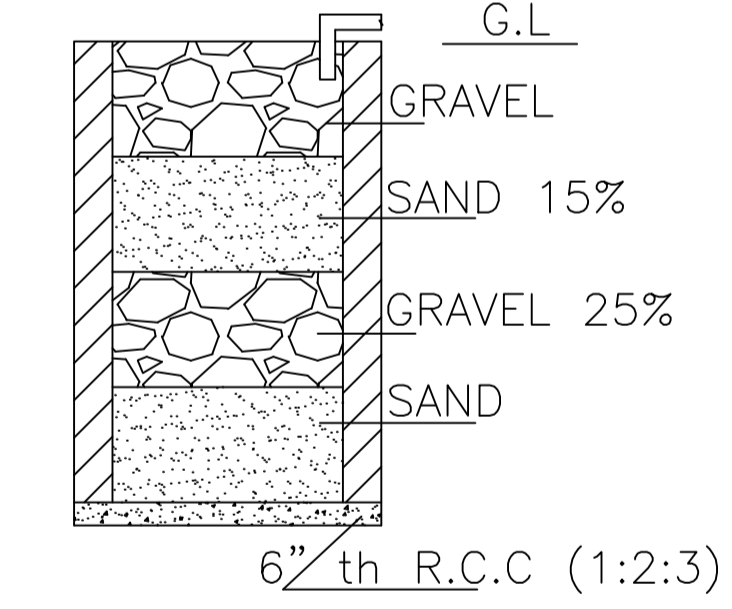
DETAILS OF SEPTIC TANK  
SCALE - 1" = 4'-0"



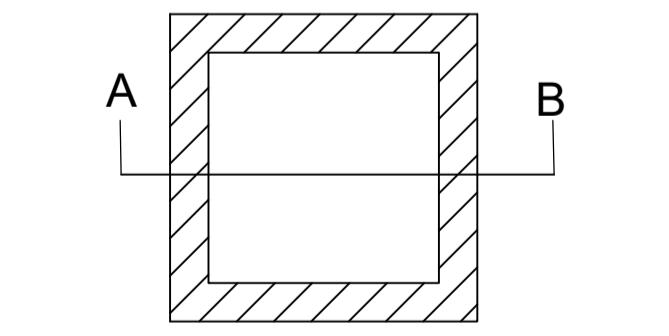
DETAILS OF COLUMN FOUNDATION  
SCALE - 1" = 2'-0"



SCALE = 1" = 4'-0"



SECTION ON A - B



SCHEDULE OF DOOR:

BUILDING NAME	NAME	LENGTH	HEIGHT	NOS
A (PRITEE AMBASTHA AND OTHER)	D	0.84	2.10	05
A (PRITEE AMBASTHA AND OTHER)	D	0.91	2.10	02
A (PRITEE AMBASTHA AND OTHER)	D	1.07	2.10	09
A (PRITEE AMBASTHA AND OTHER)	O	2.23	2.10	01

SCHEDULE OF WINDOW/VENTILATION:

BUILDING NAME	NAME	LENGTH	HEIGHT	NOS
A (PRITEE AMBASTHA AND OTHER)	W	0.61	1.20	04
A (PRITEE AMBASTHA AND OTHER)	W	0.91	1.20	04
A (PRITEE AMBASTHA AND OTHER)	W	1.22	1.20	12
A (PRITEE AMBASTHA AND OTHER)	W	1.92	1.20	02

UnitBUA Table for Building :A (PRITEE AMBASTHA AND OTHER)

FLOOR	Name	UnitBUA Type	UnitBUA Area	Carpel Area	No. of Rooms	No. of Tenement
GROUND FLOOR PLAN	SPLIT 1	FLAT	178.51	178.03	8	1
FIRST FLOOR PLAN	SPLIT 1	FLAT	0.00	0.00	8	0
Total:	-	-	178.51	178.03	16	1

FAR & Tenement Details (Table 4c-1)

Building	No. of Same Bldg	Total Built Up Area (Sq.mt.)	Deductions (Area in Sq.mt.)		Total FAR Area (Sq.mt.)	Total Consumed Additional FAR Area (Sq.mt.)	Tnmt (No.)
			StairCase	Resi.			
A (PRITEE AMBASTHA AND OTHER)	1	179.68	1.16	178.52	178.52	178.52	01
Grand Total :	1	179.68	1.16	178.52	178.52	178.52	01

COLOR INDEX

PLOT BOUNDARY	Black
ABUTTING ROAD	Red
PROPOSED CONSTRUCTION	Green
COMMON PLOT	Yellow
ROAD WIDENING AREA	Blue
EXISTING (To be retained)	Orange
EXISTING (To be demolished)	Purple

Buildingwise Floor FAR Details

Floor Name	Building Name		Total	
	A (PRITEE AMBASTHA AND OTHER)	Total Proposed Built Up Area (Sq.mt.)	Total FAR Area (Sq.mt.)	Total FAR Area (Sq.mt.)
Ground Floor	90.42	89.26	90.42	89.26
First Floor	89.26	89.26	89.26	89.26
Terrace Floor	0.00	0.00	0.00	0.00
Total :	179.68	178.52	179.68	178.52

Building USE/SUBUSE Details

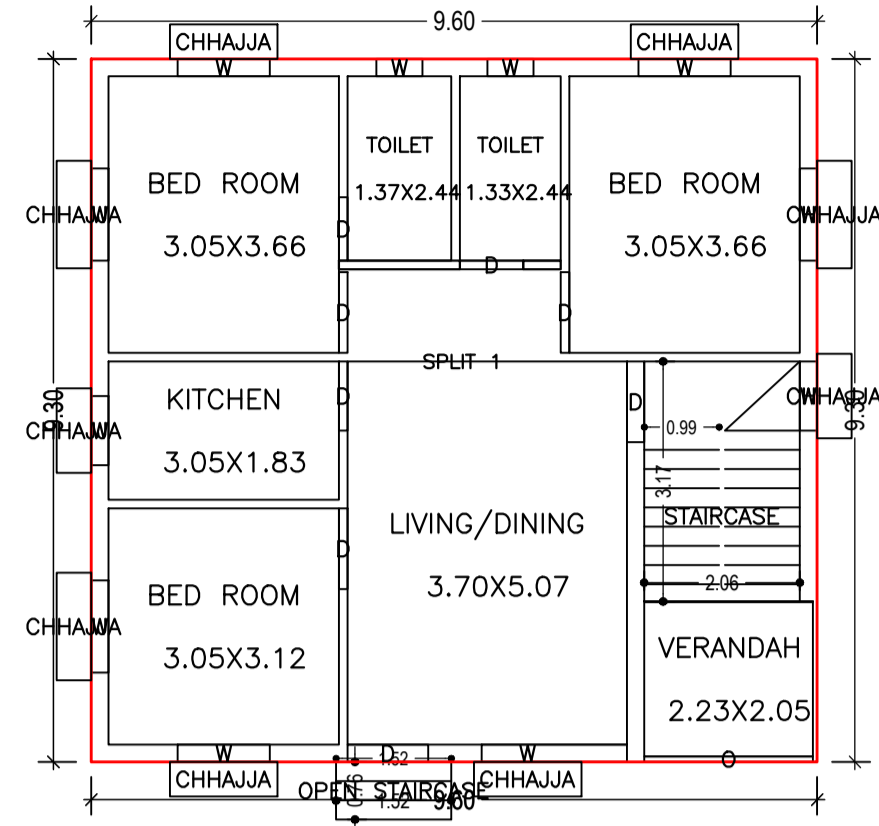
Building Name	Building Use	Building SubUse	Building Structure
A (PRITEE AMBASTHA AND OTHER)	Residential	Bungalow/ Dwelling / Non Apartment	Non-Highrise

Building :A (PRITEE AMBASTHA AND OTHER)

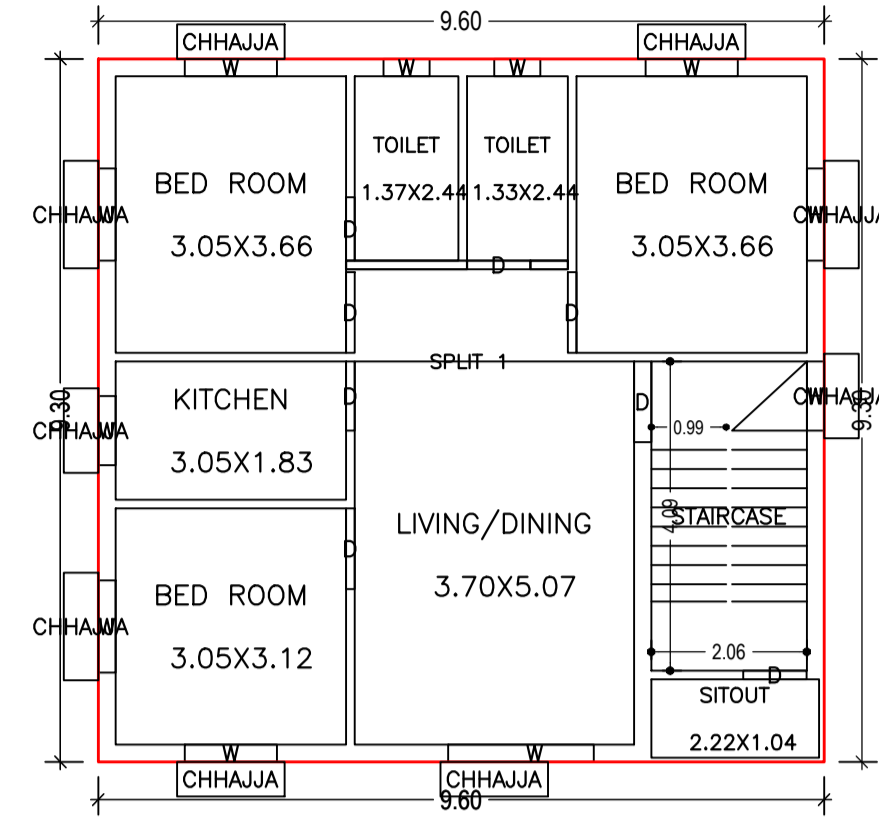
Floor Name	Total Built Up Area (Sq.mt.)	Deductions (Area in Sq.mt.)	Proposed FAR Area (Sq.mt.)	Total FAR Area (Sq.mt.)	Total Consumed Additional FAR Area (Sq.mt.)	Tnmt (No.)
Ground Floor	90.42	1.16	89.26	89.26	89.26	01
First Floor	89.26	0.00	89.26	89.26	89.26	00
Terrace Floor	0.00	0.00	0.00	0.00	0.00	00
Total :	179.68	1.16	178.52	178.52	178.52	01
Total Number of Same Buildings	1					
Total :	179.68	1.16	178.52	178.52	178.52	01

LTP NAME AND SIGNATURE	STRUCTURAL ENG'S NAME AND SIGNATURE	BUILDER NAME AND SIGNATURE	DIGITAL SIGNATURE
RAM PRATAP SINGH MADA/ARC/0024/2019			

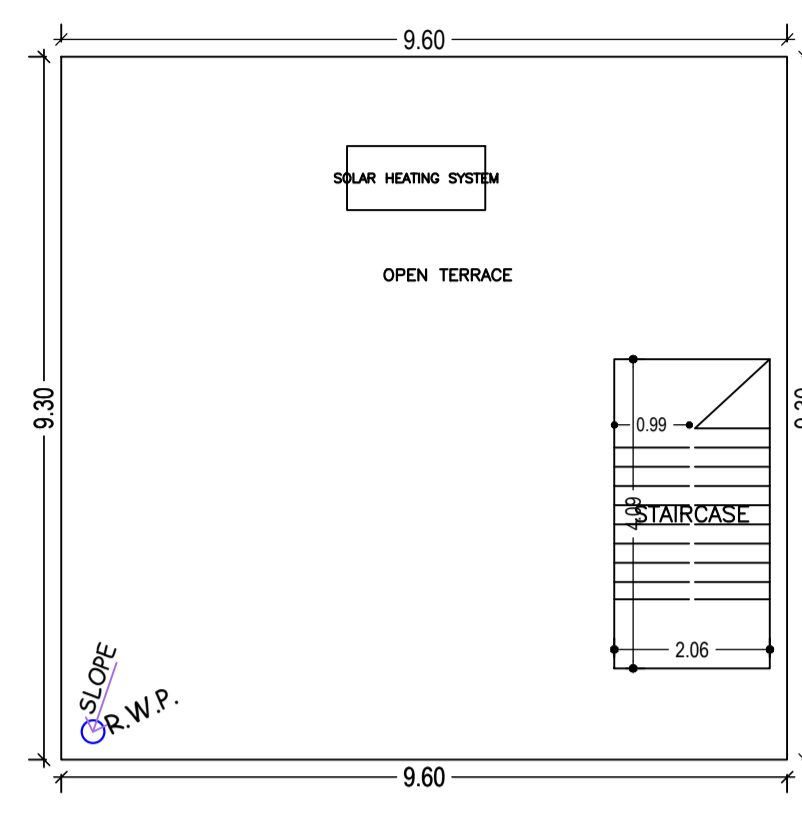
Proposal Basic Information	
Proposal File No.	MADA/BP/0116/2022
Owner Name	1. SMT. PRITEE AMBASTHA AND 2. SRI. VIKASH KUMAR SINHA
Khata No	OLD KHATA NO-69, NEW KHATA NO-134
Plot No	OLD PLOT NO. 517, NEW PLOT NO. 1456
Village Name	Jialgora
Use	Residential
SubUse	Bungalow/ Dwelling / Non Apartment



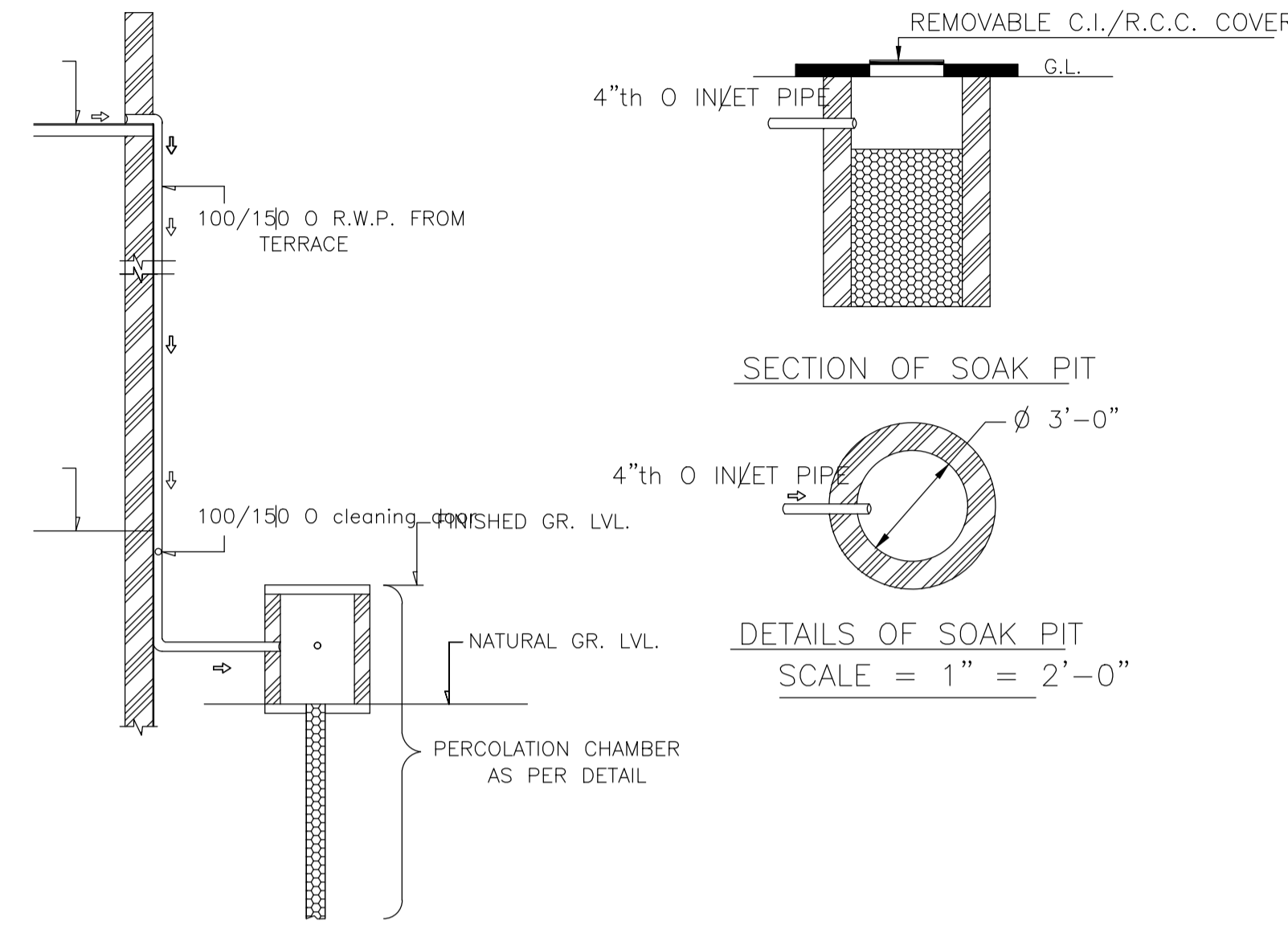
GROUND FLOOR PLAN  
(Proposed)  
(SCALE 1:100)



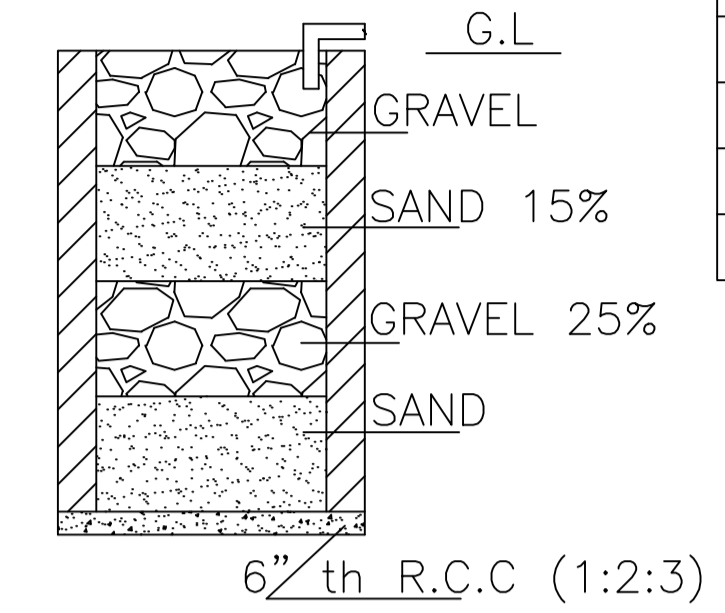
FIRST FLOOR PLAN  
(Proposed)  
(SCALE 1:100)



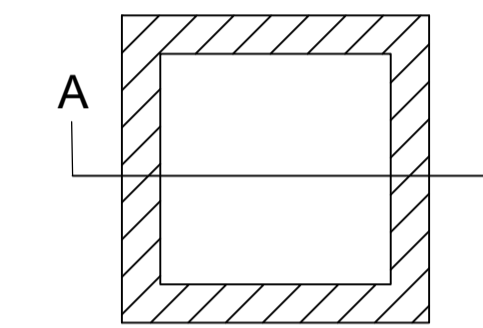
TERRACE FLOOR PLAN  
(SCALE 1:100)



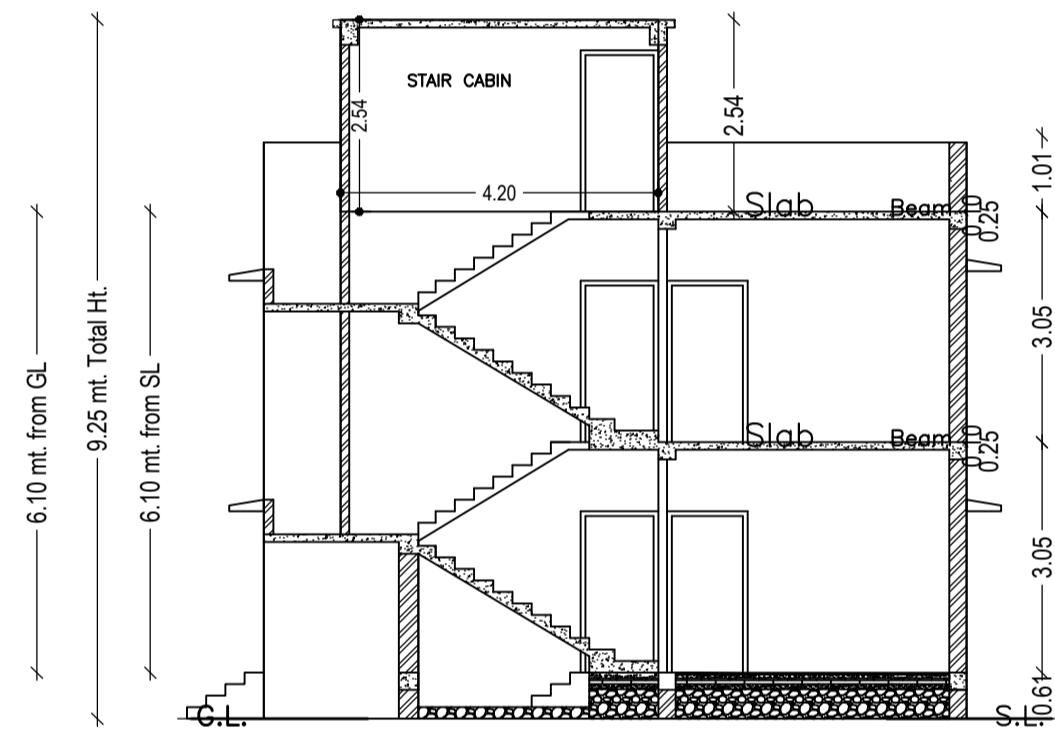
ROOF TOP RAIN WATER COLLECTION SYSTEM  
SCALE = 1" = 4'-0"



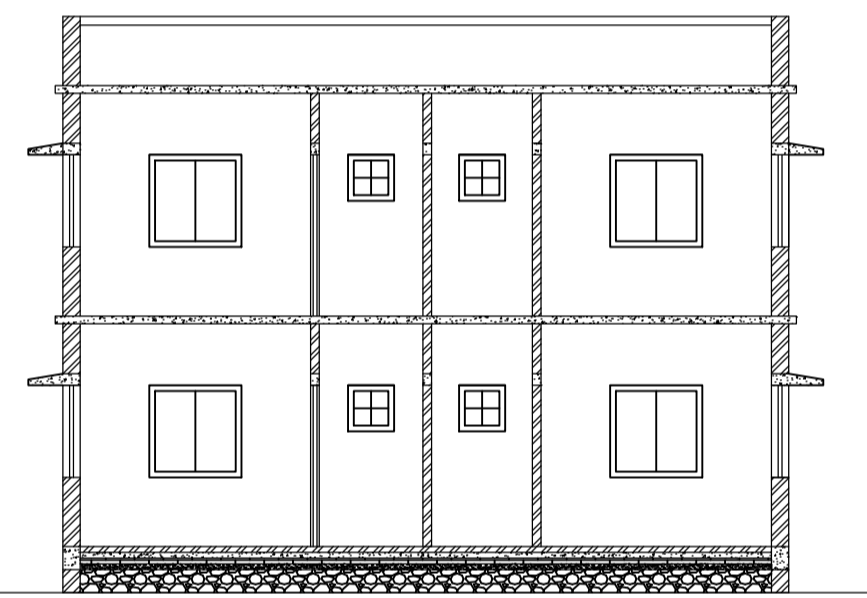
SECTION ON A - B



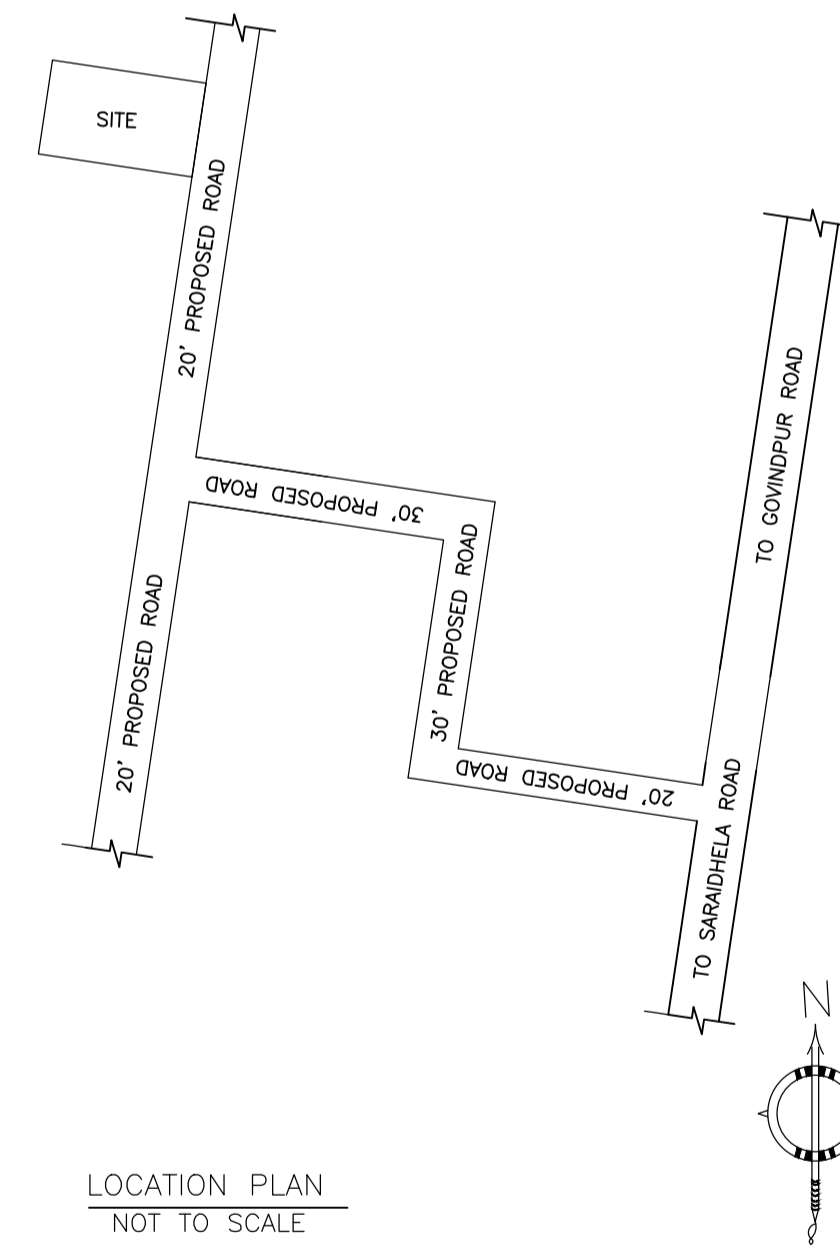
DETAILS DRAWING OF  
RAIN WATER HARVESTING  
SCALE:- 1"=2'-0"



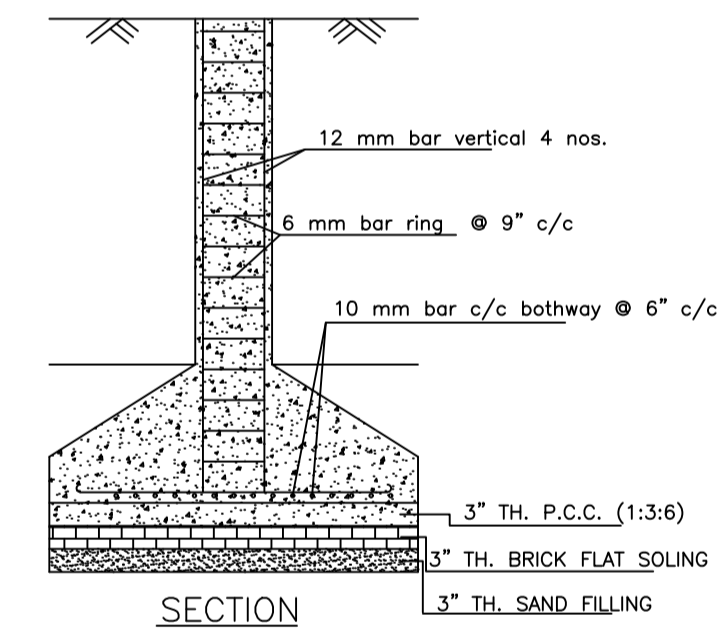
SECTION - XX'  
SCALE - 1" = 8'-0"



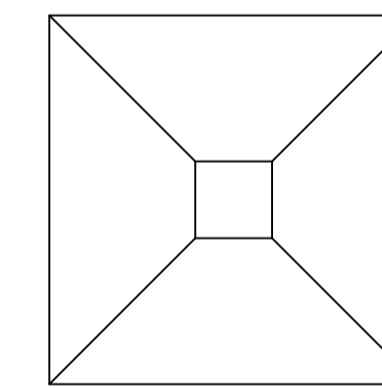
SECTION - YY'  
SCALE - 1" = 8'-0"



LOCATION PLAN  
NOT TO SCALE

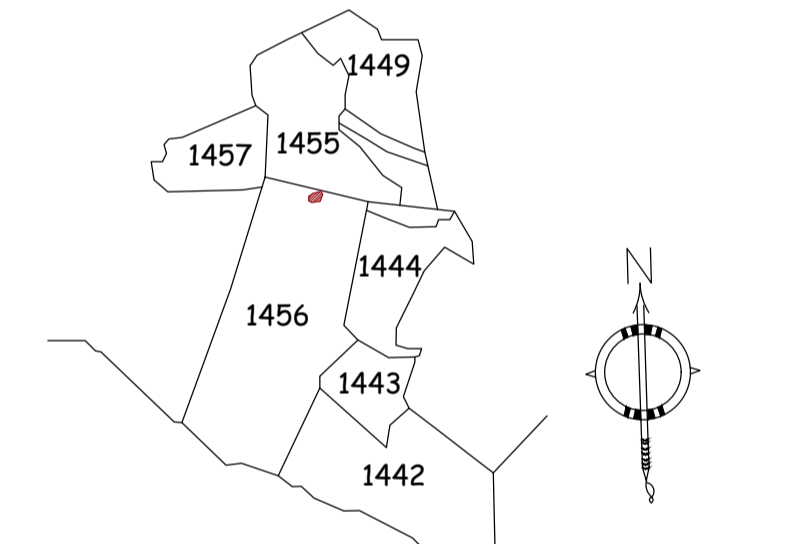


SECTION

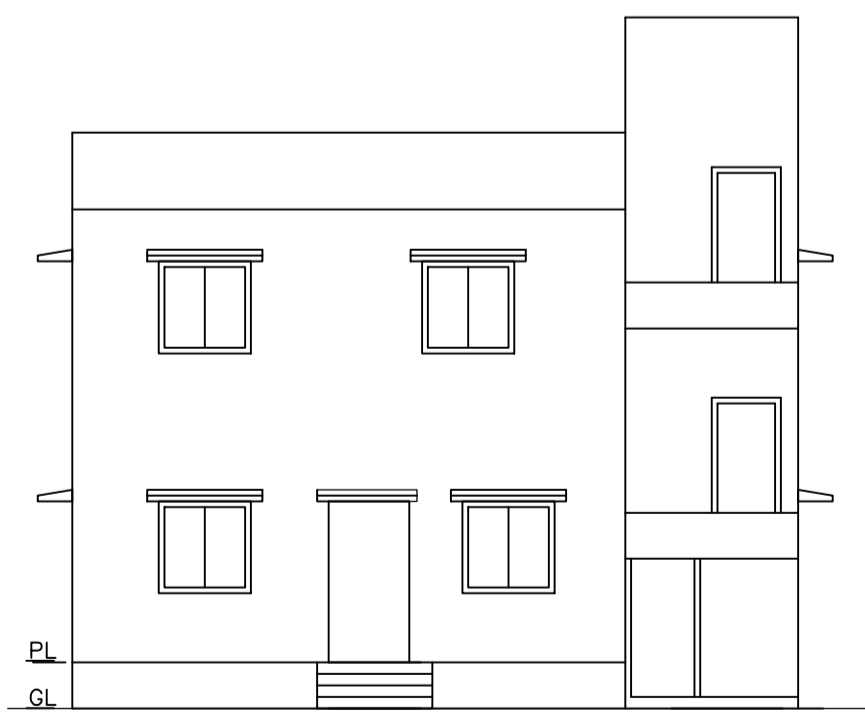


PLAN

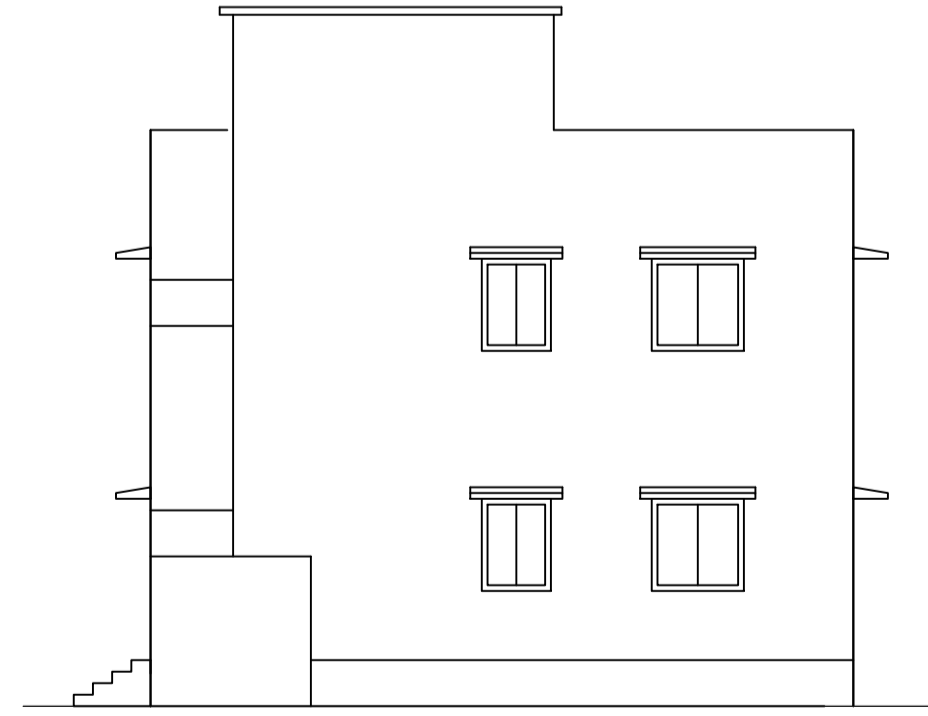
DETAILS OF COLUMN FOUNDATION  
SCALE - 1" = 2'-0"



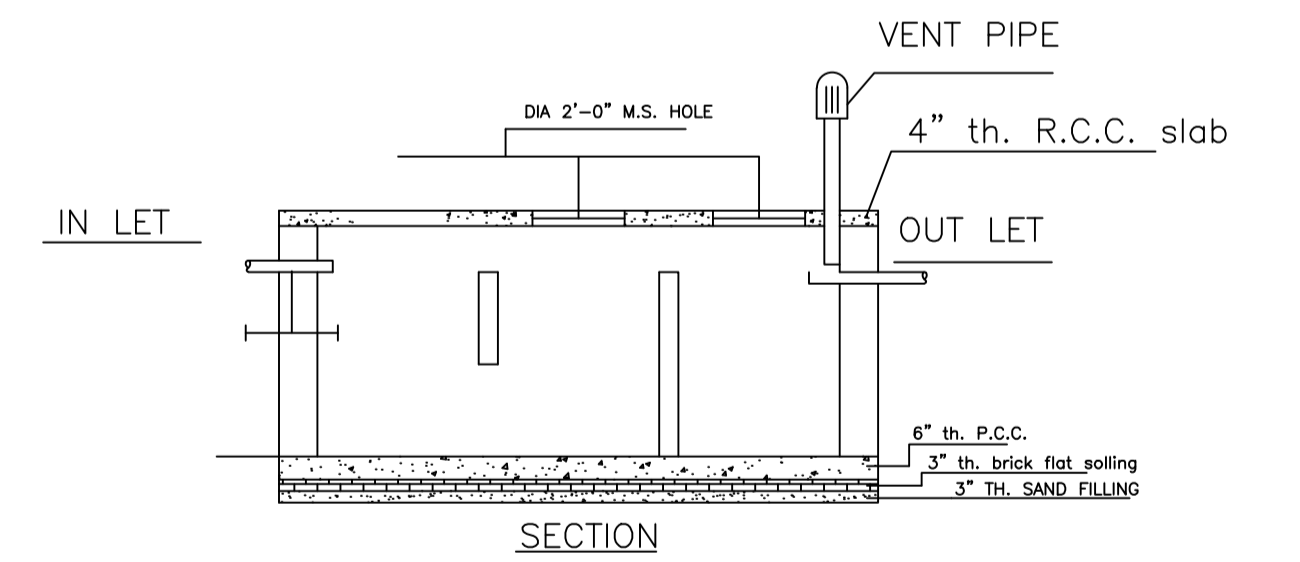
KEY PLAN



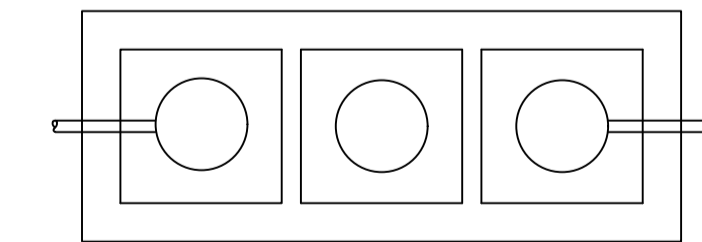
FRONT ELEVATION  
SCALE - 1" = 8'-0"



RIGHT SIDE ELEVATION  
SCALE - 1" = 8'-0"



SECTION



DETAILS OF SEPTIC TANK  
SCALE - 1" = 4'-0"

LTP NAME AND SIGNATURE	STRUCTURAL ENG'S NAME AND SIGNATURE	BUILDER NAME AND SIGNATURE	DIGITAL SIGNATURE
RAM PRATAP SINGH MADA/ARC/0024/2019			