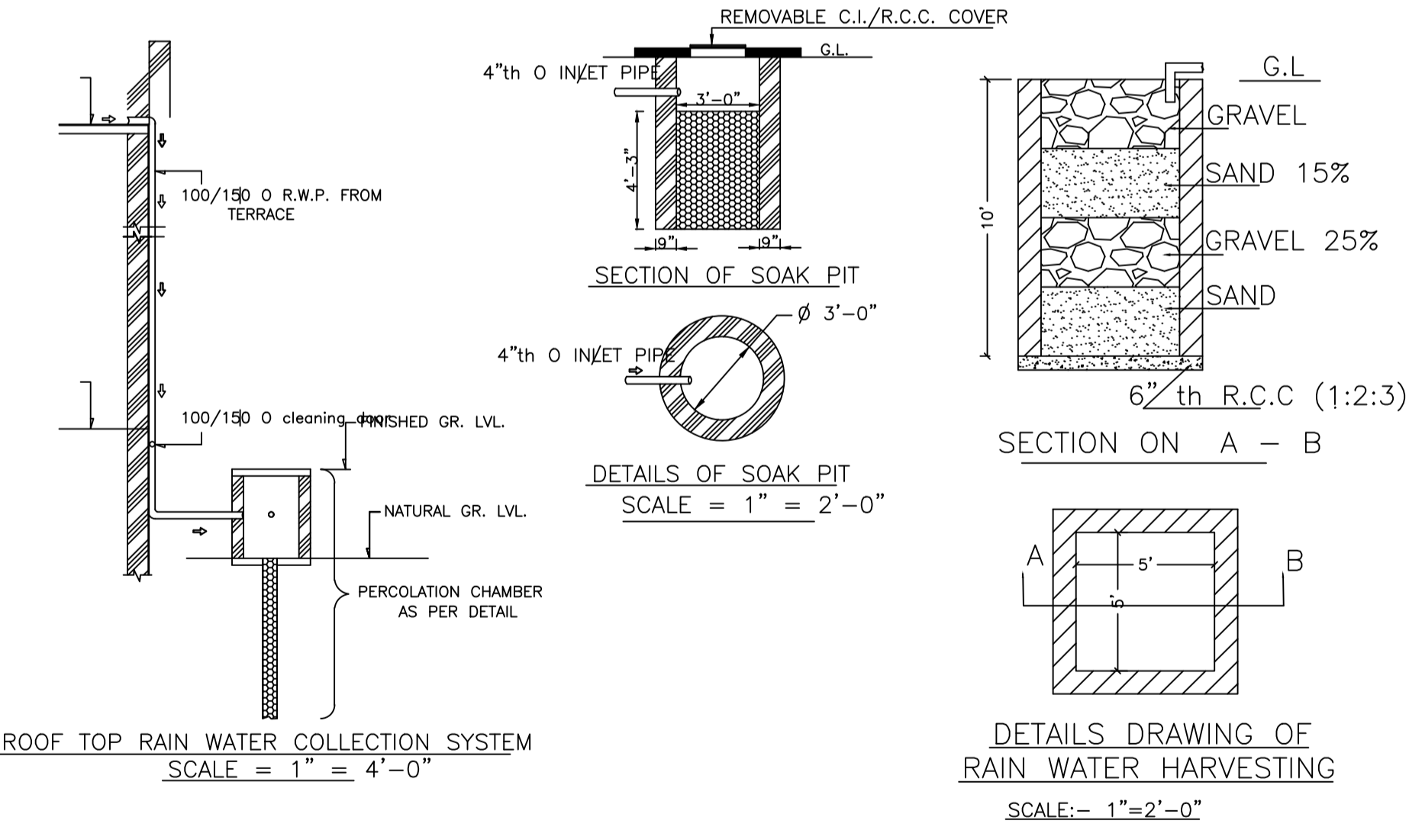
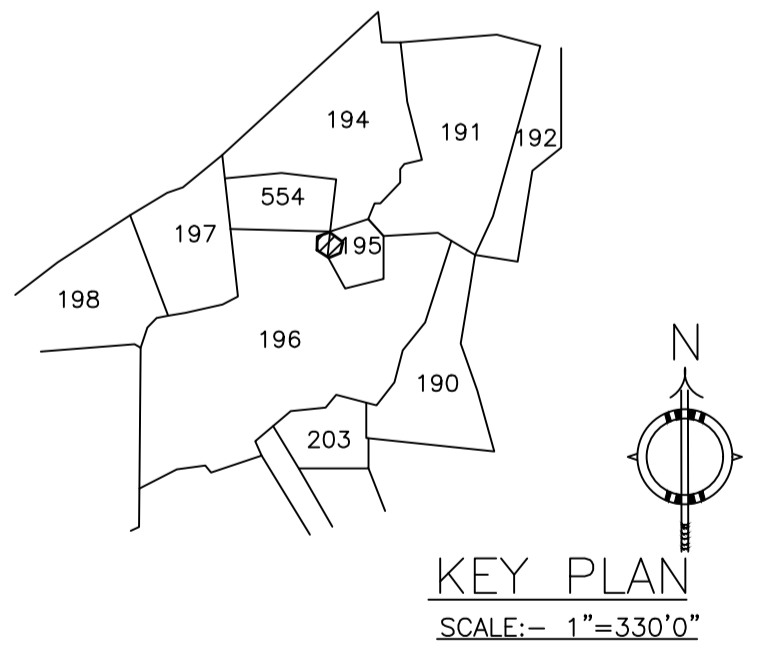
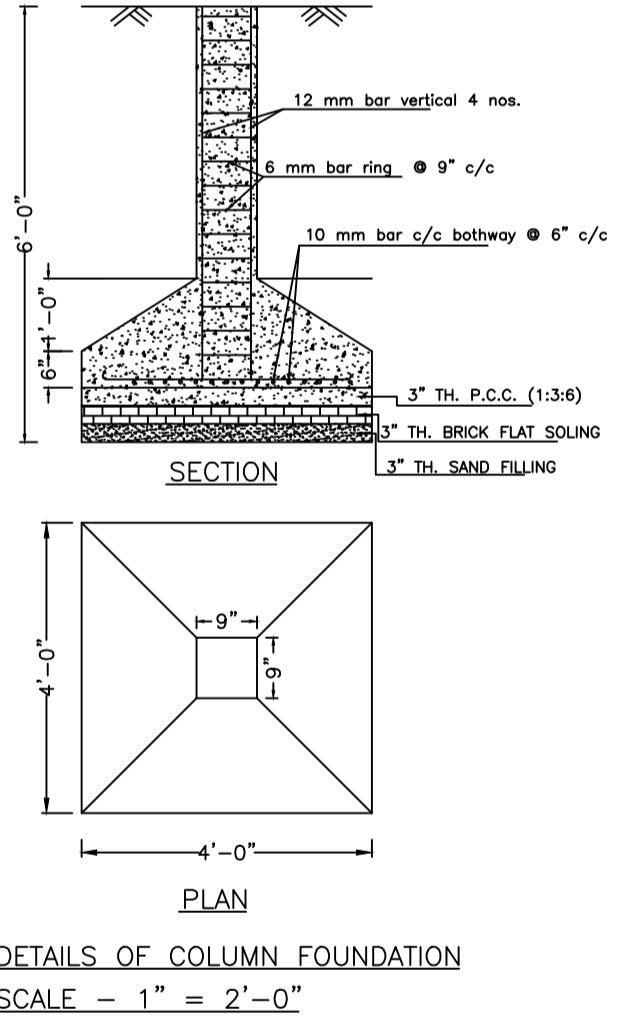
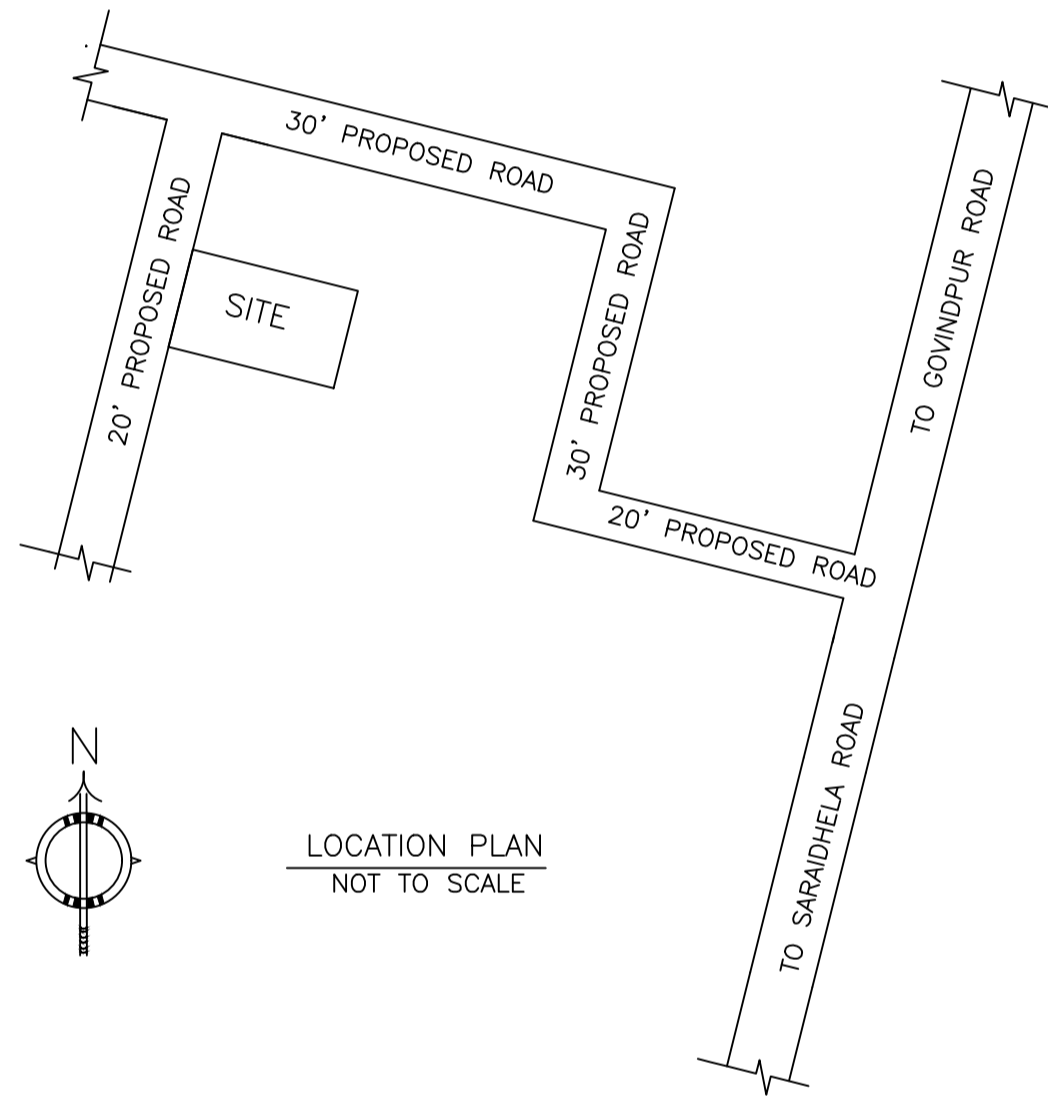
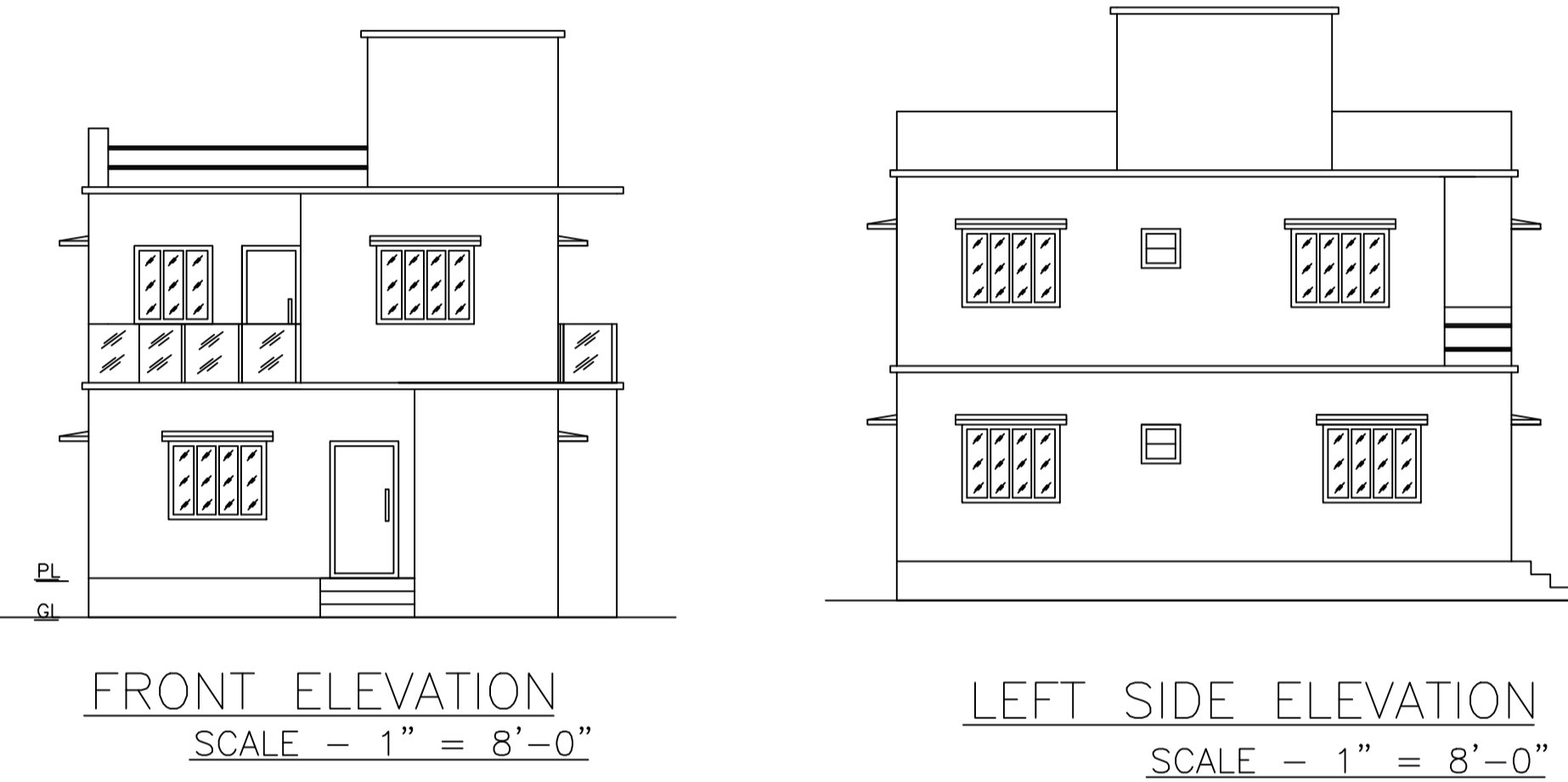
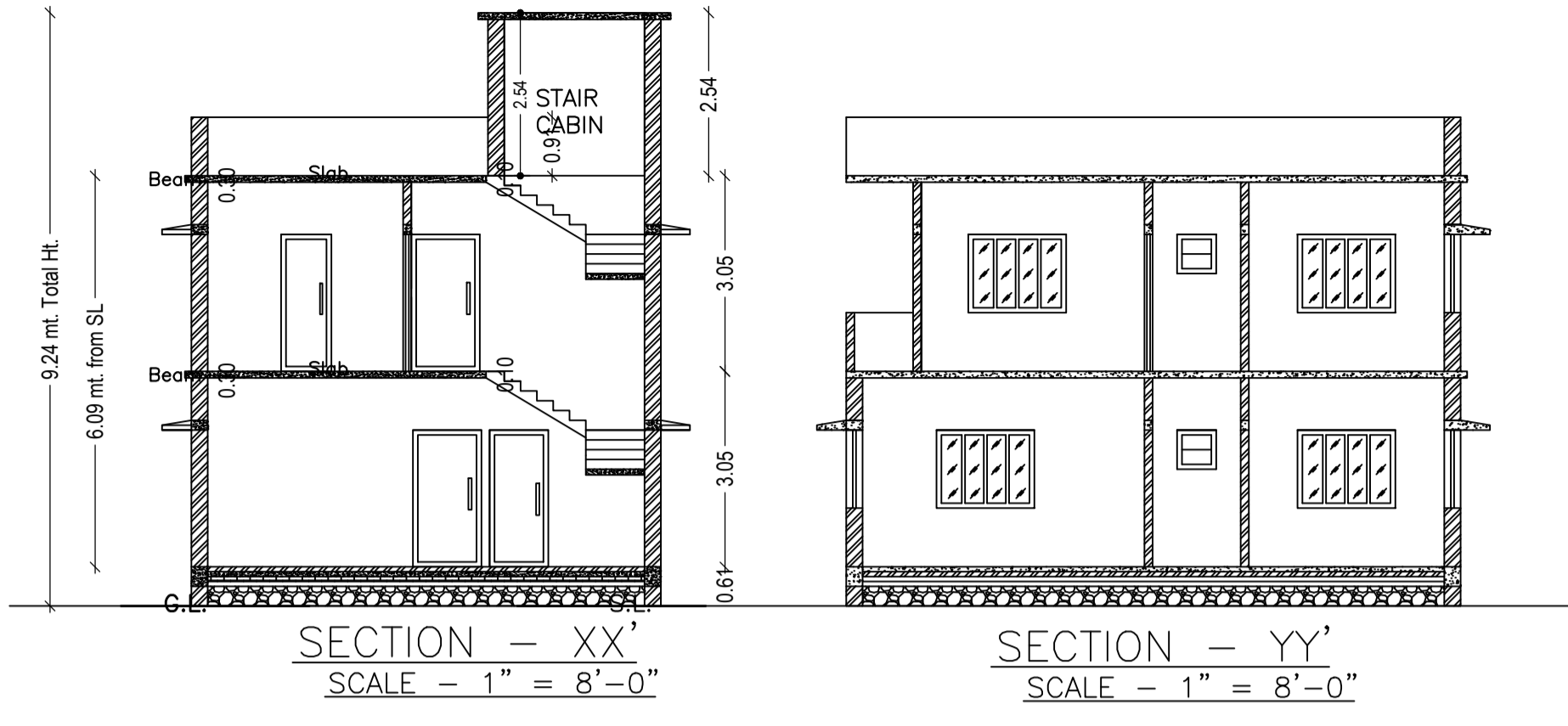
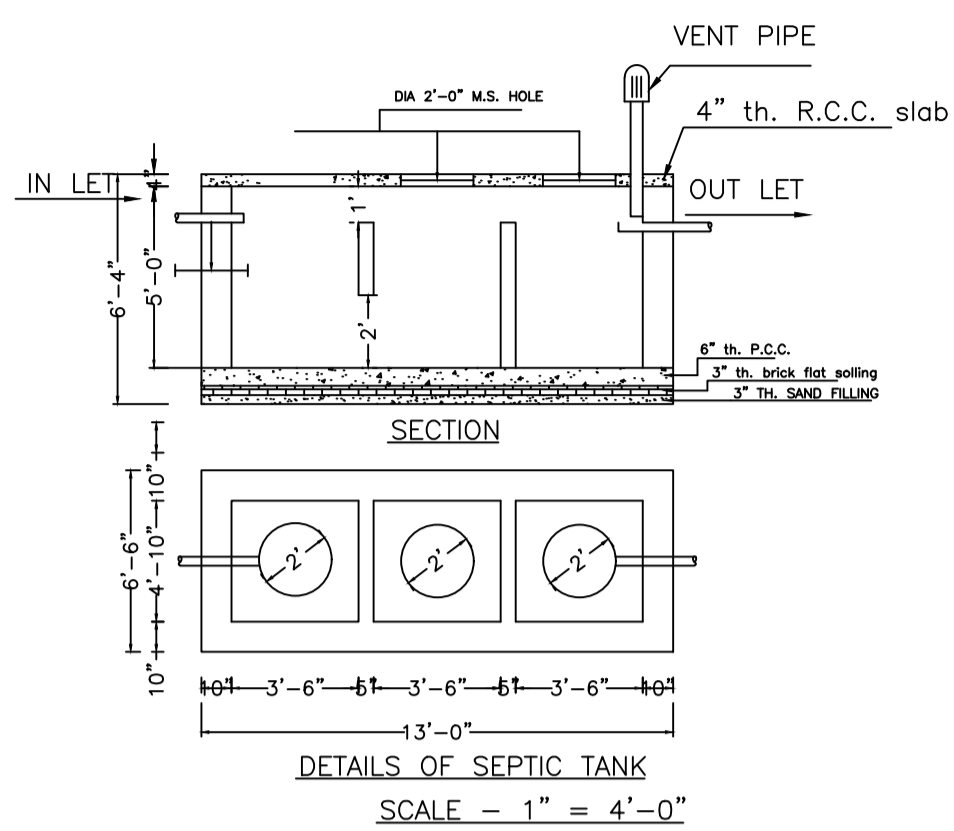
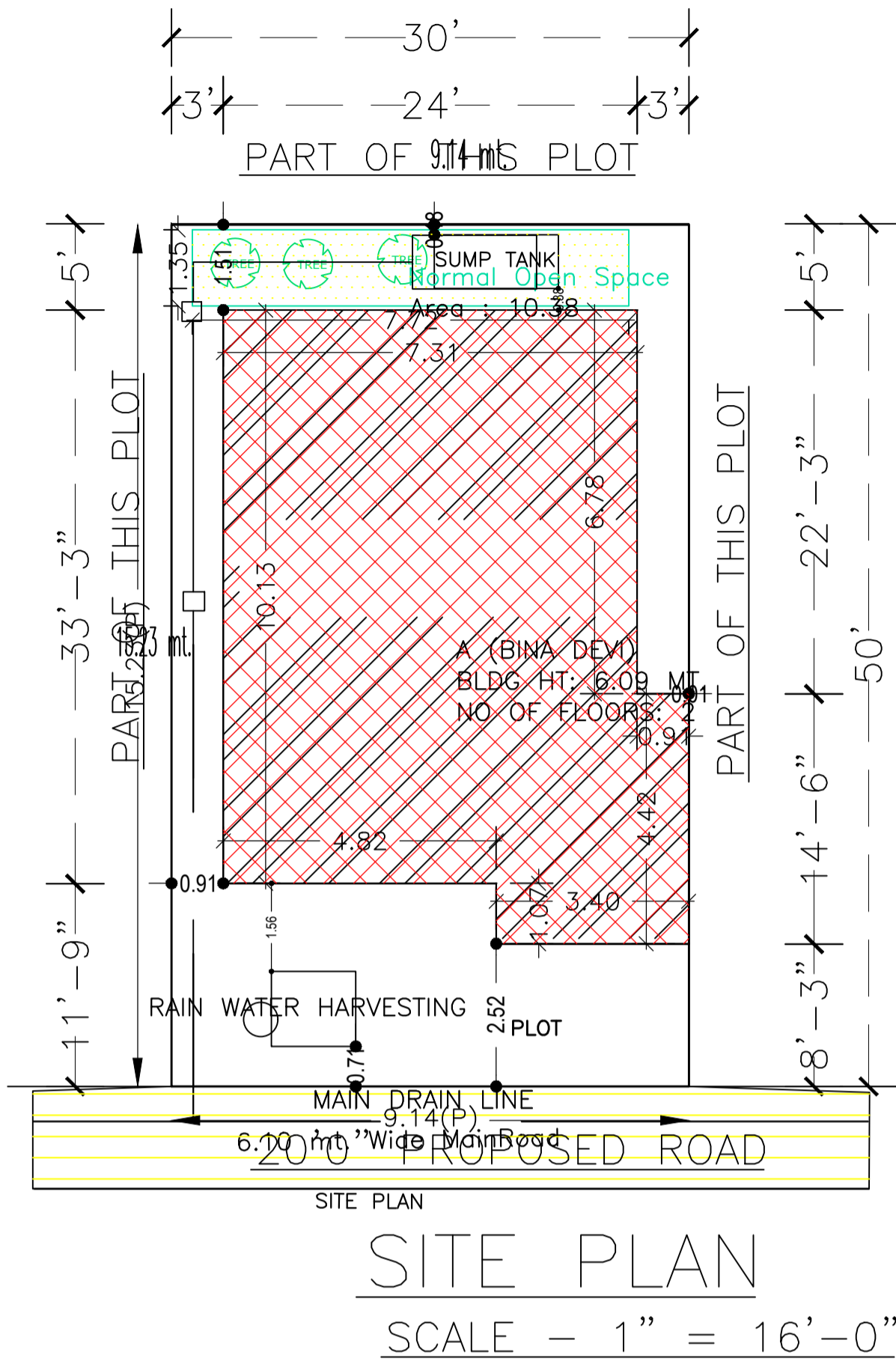


Proposal Basic Information

Proposal File No.	MADA/BP/0110/2022
Owner Name	SMT. BINA DEVI
Khata No	OLD KHATA NO. 16, NEW KHATA NO. 14
Plot No	OLD PLOT NO. 71 & 71, NEW PLOT NO. 195 & 196
Village Name	Tiakraydih
Use	Residential
SubUse	Bungalow/ Dwelling / Non Apartment



AREA STATEMENT MINERAL AREA DEVELOPMENT AUTHORITY	VERSION NO. : 1.0.62	VERSION DATE: 16/10/2020
PROJECT DETAIL:		
Region: JHARKHAND URBAN	Plot Use: Residential	
Local Bodies: DHANBAD	Plot SubUse: Bungalow/ Dwelling / Non Apartment	
Authority: MINERAL AREA DEVELOPMENT AUTHORITY	Plot/Nearby/Religious/Structure: NA	
Inward No: MADA/BP/0110/2022	Plot/SubPlot No: OLD PLOT NO. 71 & 71, NEW PLOT NO. 195 & 196	
Application Type: General Proposal	North: Plot No. - SAME PLOT	
Project Type: Building Permission	South: Plot No. - SAME PLOT	
Nature of Development: New	East: Plot No. - SAME PLOT	
Location of Development Area: Old Area	West: Road Width - 6.10	
AREA DETAILS:		
AREA OF PLOT (Minimum)	(A)	139.23
NET AREA OF PLOT (Gross Plot Area - Deduction from Gross Plot area)	(A-Deductions)	139.23
Deduction for Balance Plot Area (from Gross Plot Area)		
Common Plot		10.38
Total		10.38
BALANCE AREA OF PLOT (Net Plot Area - Recreational/Amenity space)	(A-Deductions)	128.85
PLOT AREA FOR COVERAGE (Net Plot Area)	(A-Deductions)	139.23
Plot Area for FAR (Net Plot Area + Road Widening Area)	(A-Deductions)	139.23
COVERAGE CHECK		
Permissible Coverage area (70.00 %)		97.46
Proposed Coverage Area (57.98 %)		80.72
Total Prop. Coverage Area (57.98 %)		80.72
Balance coverage area (12.02 %)		16.74
FAR CHECK		
Perm. FAR Area (2.50)		348.07
Total Perm. FAR area		348.07
Residential FAR		161.44
Proposed FAR Area		161.44
Total Proposed FAR Area		161.44
Consumed FAR (Factor)		1.16
Balance FAR Area		186.63
BUILT UP AREA CHECK		
Total Proposed BuiltUp Area		161.44
ARCHITECT (Regd) RAM PRATAP SINGH		
ENGINEER (Regd)		
SUPERVISOR (Regd)		
OWNER (Regd) SMT. BINA DEVI		
DEVELOPMENT AUTHORITY		

COLOR INDEX	
PLOT BOUNDARY	Black
ABUTTING ROAD	Green
PROPOSED CONSTRUCTION	Red
COMMON PLOT	Yellow
ROAD WIDENING AREA	Orange
EXISTING (To be retained)	Blue
EXISTING (To be demolished)	Light Blue

Buildingwise Floor FAR Details				
Floor Name	Building Name A (BINA DEVI)		Total	
	Proposed Built Up Area (Sq.mt.)	Proposed FAR Area (Sq.mt.)	Total Proposed Built Up Area (Sq.mt.)	Total FAR Area (Sq.mt.)
Ground Floor	80.72	80.72	80.72	80.72
First Floor	80.72	80.72	80.72	80.72
Terrace Floor	0.00	0.00	0.00	0.00
Total :	161.44	161.44	161.44	161.44

Building USE/SUBUSE Details			
Building Name	Building Use	Building SubUse	Building Structure
A (BINA DEVI)	Residential	Bungalow/ Dwelling / Non Apartment	Non-Highrise

FAR & Tenement Details (Table 4c-1)						
Building	No. of Same Bldg	Total Built Up Area (Sq.mt.)	Proposed FAR Area (Sq.mt.) Res.	Total FAR Area (Sq.mt.)	Total Consumed Additional FAR Area (Sq.mt.)	Tnmt (No.)
A (BINA DEVI)	1	161.44	161.44	161.44	161.44	01
Grand Total :	1	161.44	161.44	161.44	161.44	01

UnitBUA Table for Building :A (BINA DEVI)

FLOOR	Name	UnitBUA Type	UnitBUA Area	Carpet Area	No. of Rooms	No. of Tenement
GROUND FLOOR PLAN	SPLIT 1	FLAT	161.44	160.49	5	1
FIRST FLOOR PLAN	SPLIT 1	FLAT	0.00	0.00	8	0
Total:	-	-	161.44	160.49	13	1

Building :A (BINA DEVI)

Floor Name	Total Built Up Area (Sq.mt.)	Proposed FAR Area (Sq.mt.) Resi.	Total FAR Area (Sq.mt.)	Total Consumed Additional FAR Area (Sq.mt.)	Tnmt (No.)
Ground Floor	80.72	80.72	80.72	80.72	01
First Floor	80.72	80.72	80.72	80.72	00
Terrace Floor	0.00	0.00	0.00	0.00	00
Total :	161.44	161.44	161.44	161.44	01
Total Number of Same Buildings	1				
Total :	161.44	161.44	161.44	161.44	01

SCHEDULE OF DOOR:

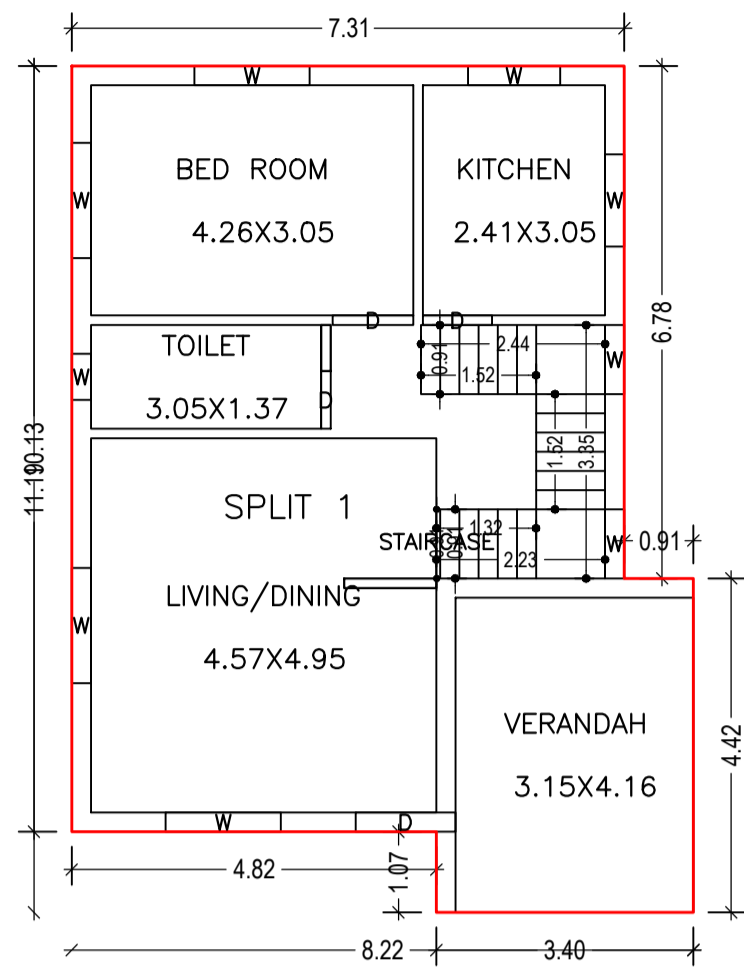
BUILDING NAME	NAME	LENGTH	HEIGHT	NOS
A (BINA DEVI)	D	0.76	2.10	04
A (BINA DEVI)	D	0.91	2.10	04
A (BINA DEVI)	D	1.07	2.10	03
A (BINA DEVI)	D	1.32	2.10	01

SCHEDULE OF WINDOW/VENTILATION:

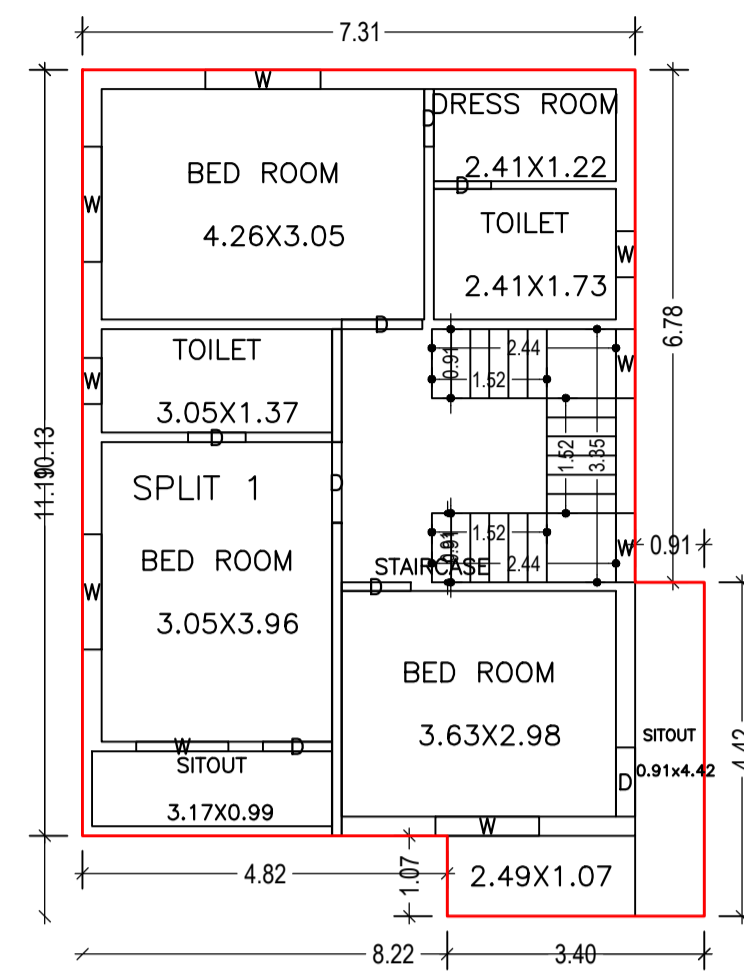
BUILDING NAME	NAME	LENGTH	HEIGHT	NOS
A (BINA DEVI)	W	0.61	1.20	03
A (BINA DEVI)	W	0.91	1.20	04
A (BINA DEVI)	W	1.22	1.20	03
A (BINA DEVI)	W	1.37	1.20	01
A (BINA DEVI)	W	1.52	1.20	07

LTP NAME AND SIGNATURE	STRUCTURAL ENG'S NAME AND SIGNATURE	BUILDER NAME AND SIGNATURE	DIGITAL SIGNATURE
RAM PRATAP SINGH MADA/ARC/0024/2019			

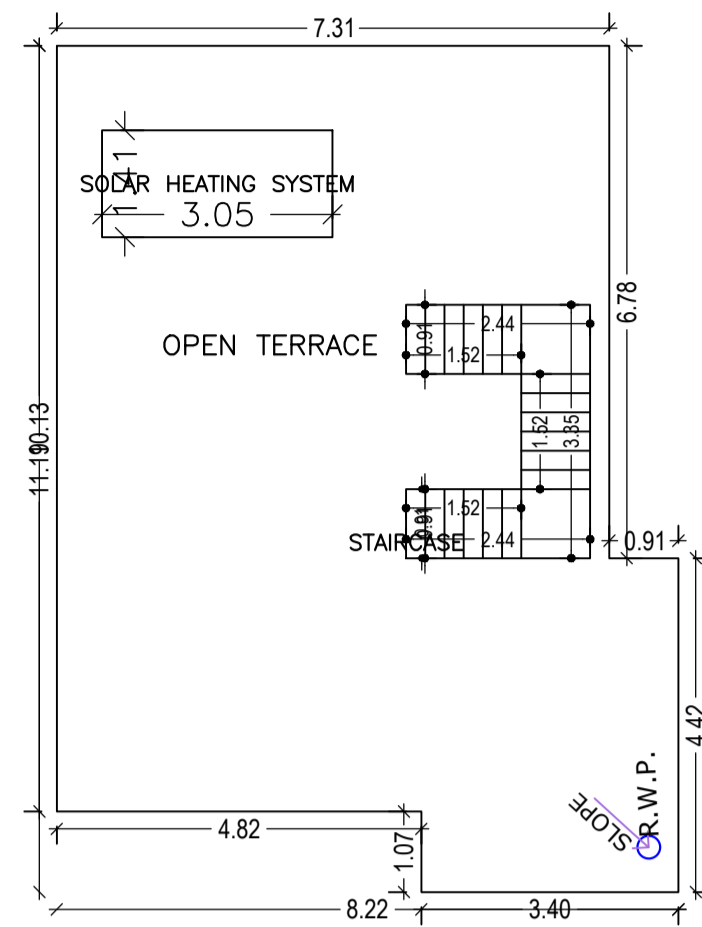
Proposal Basic Information	
Proposal File No.	MADA/BP/0110/2022
Owner Name	SMT. BINA DEVI
Khata No	OLD KHATA NO. 16, NEW KHATA NO. 14
Plot No	OLD PLOT NO. 71 & 71, NEW PLOT NO. 195 & 196
Village Name	Tiakraydih
Use	Residential
SubUse	Bungalow/ Dwelling / Non Apartment



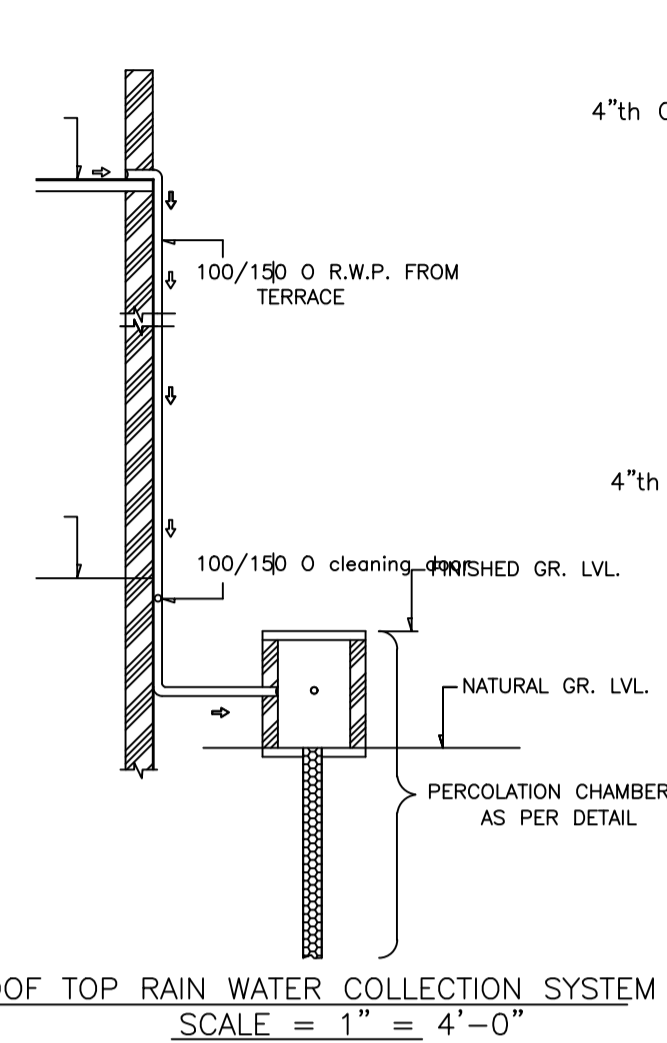
GROUND FLOOR PLAN
(Proposed)
(SCALE 1:100)



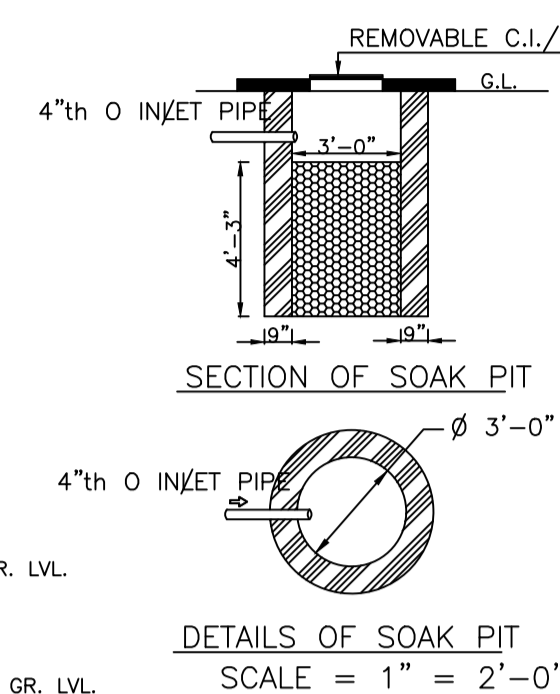
FIRST FLOOR PLAN
(Proposed)
(SCALE 1:100)



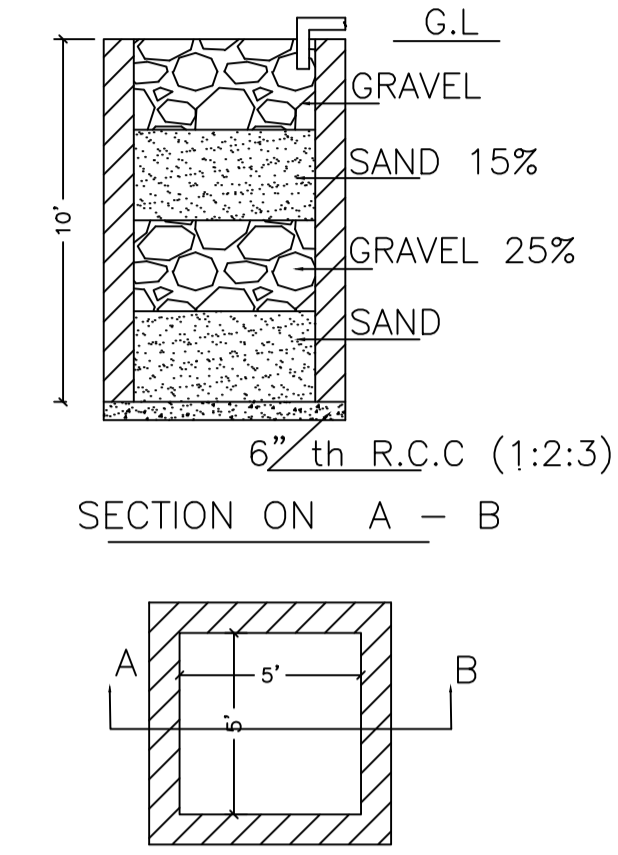
TERRACE FLOOR PLAN
(SCALE 1:100)



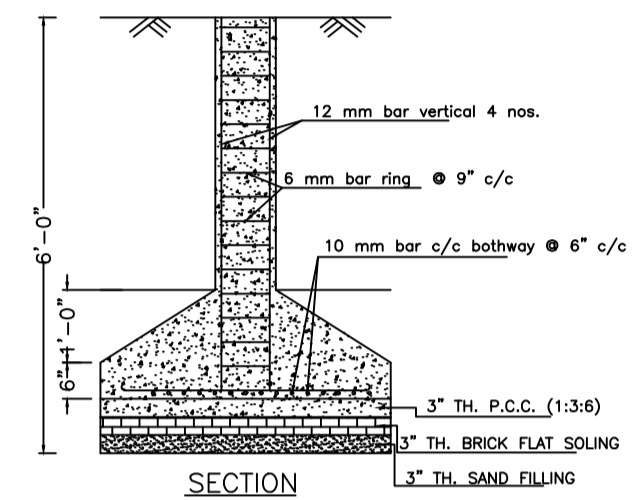
ROOF TOP RAIN WATER COLLECTION SYSTEM
SCALE = 1" = 4'-0"



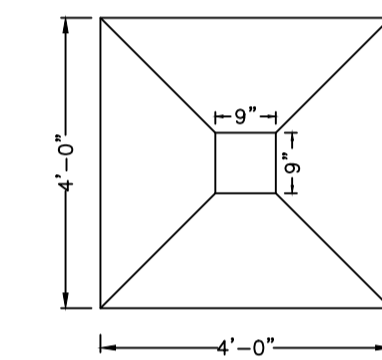
DETAILS OF SOAK PIT
SCALE = 1" = 2'-0"



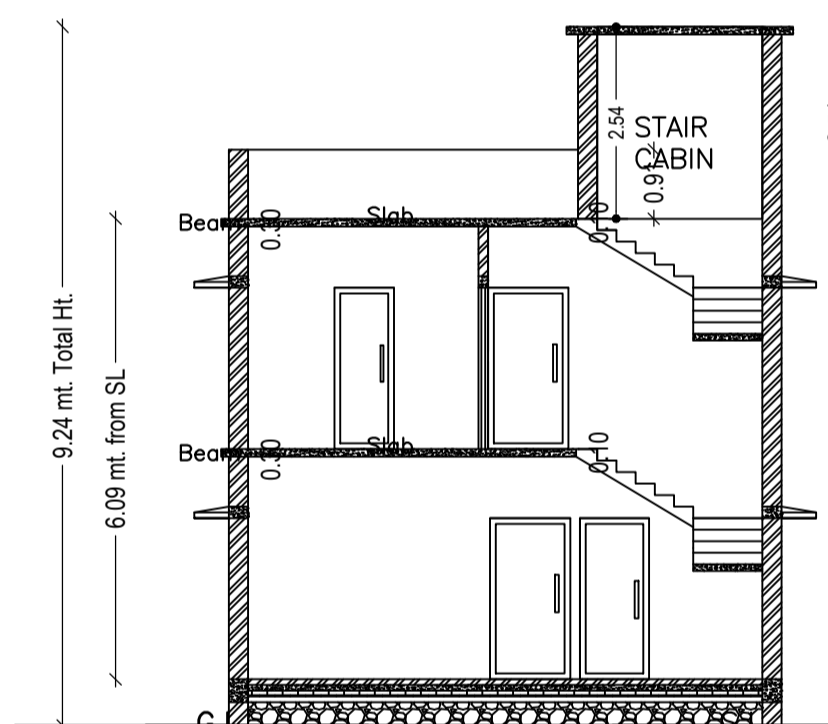
DETAILS DRAWING OF
RAIN WATER HARVESTING
SCALE: 1" = 2'-0"



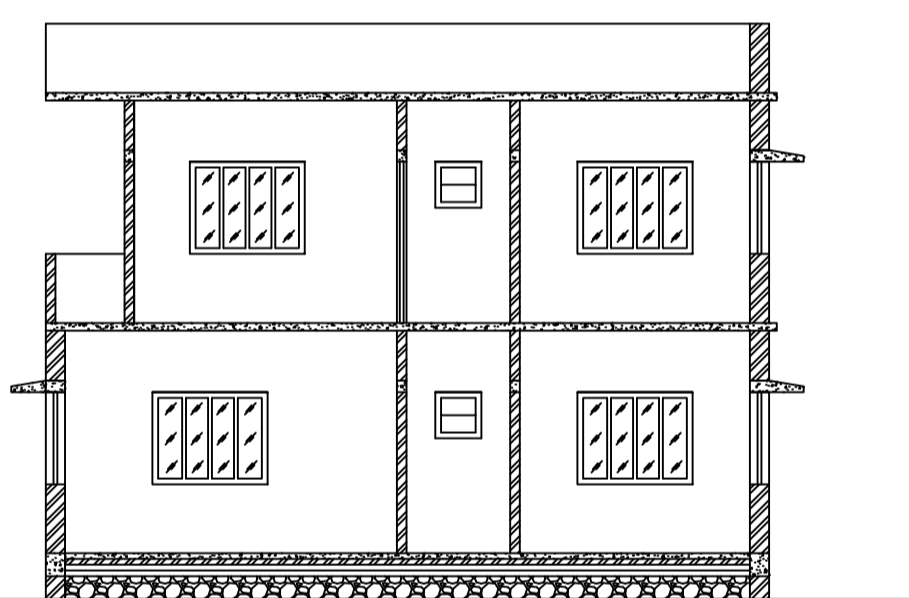
SECTION
SCALE - 1" = 2'-0"



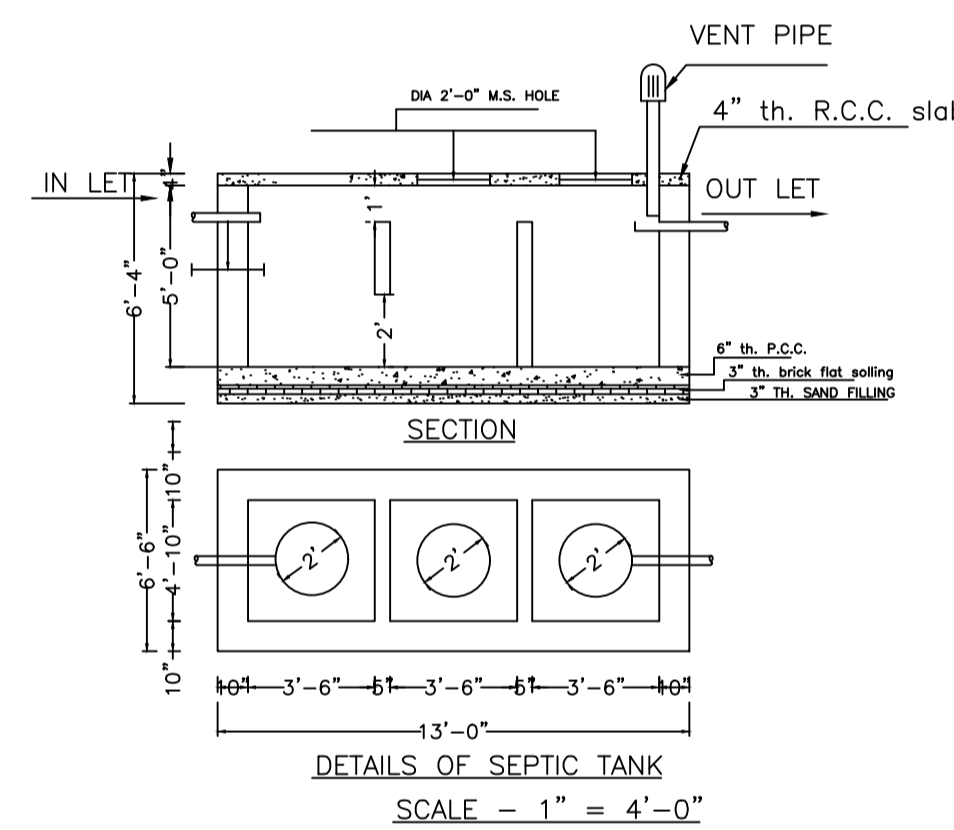
DETAILS OF COLUMN FOUNDATION
SCALE - 1" = 2'-0"



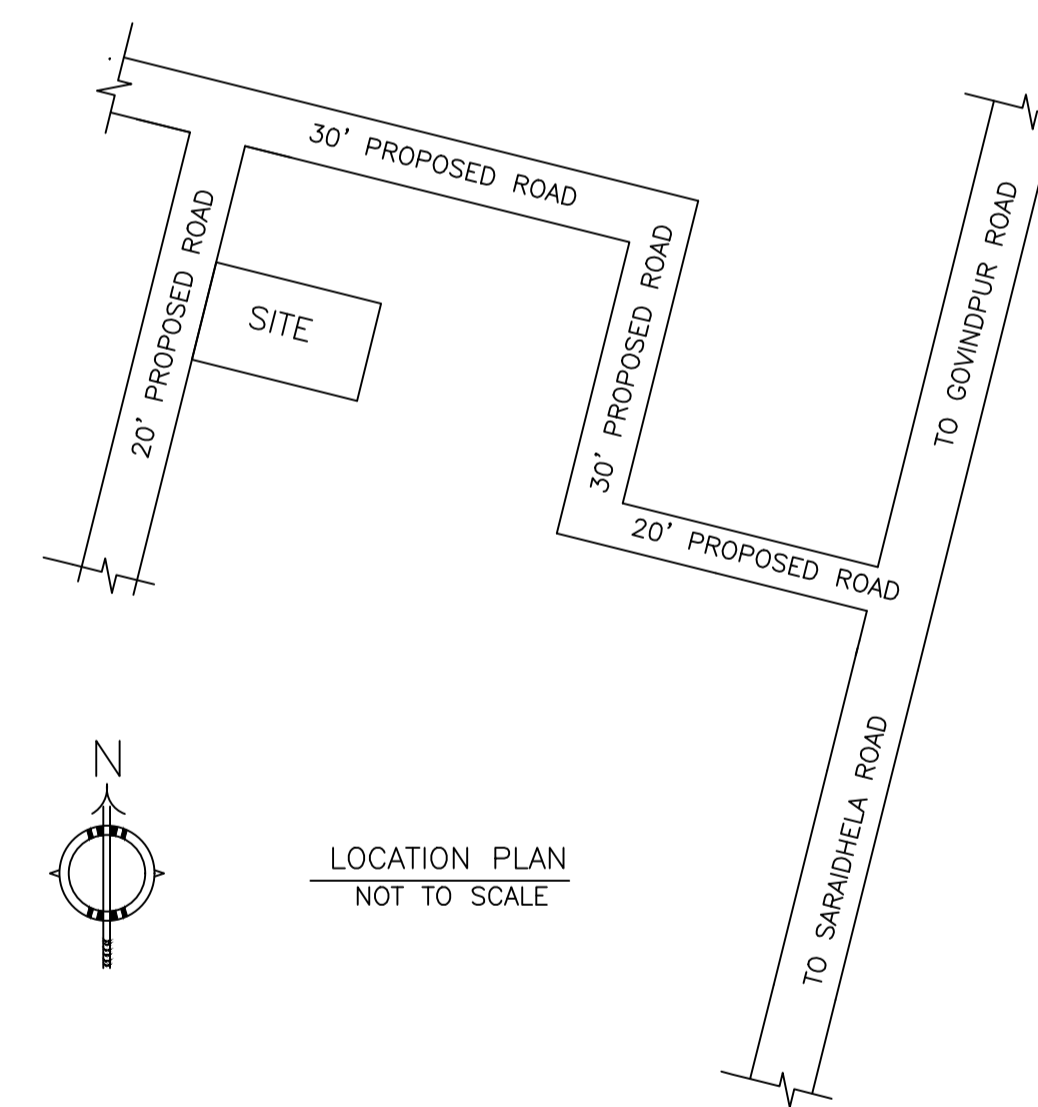
SECTION - XX'
SCALE - 1" = 8'-0"



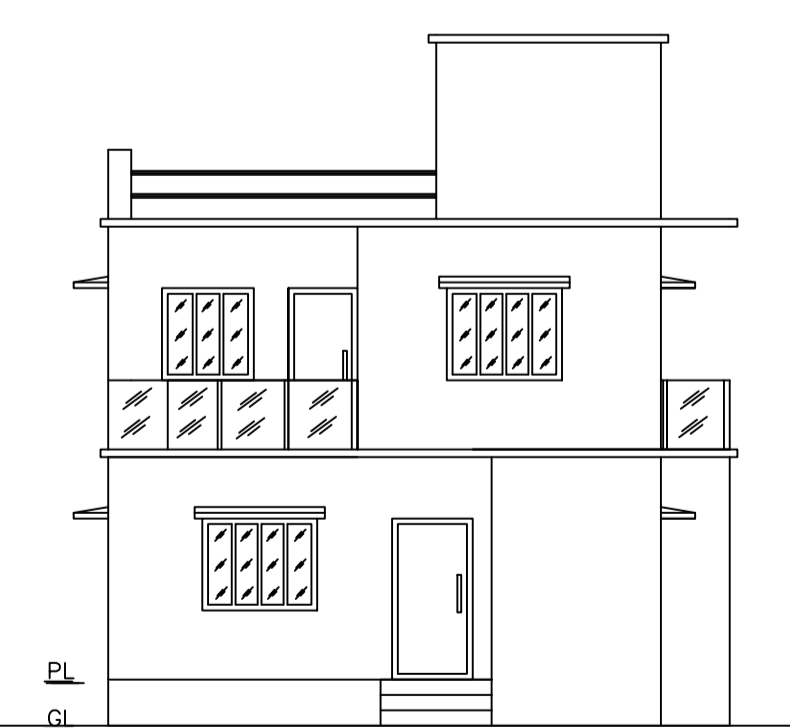
SECTION - YY'
SCALE - 1" = 8'-0"



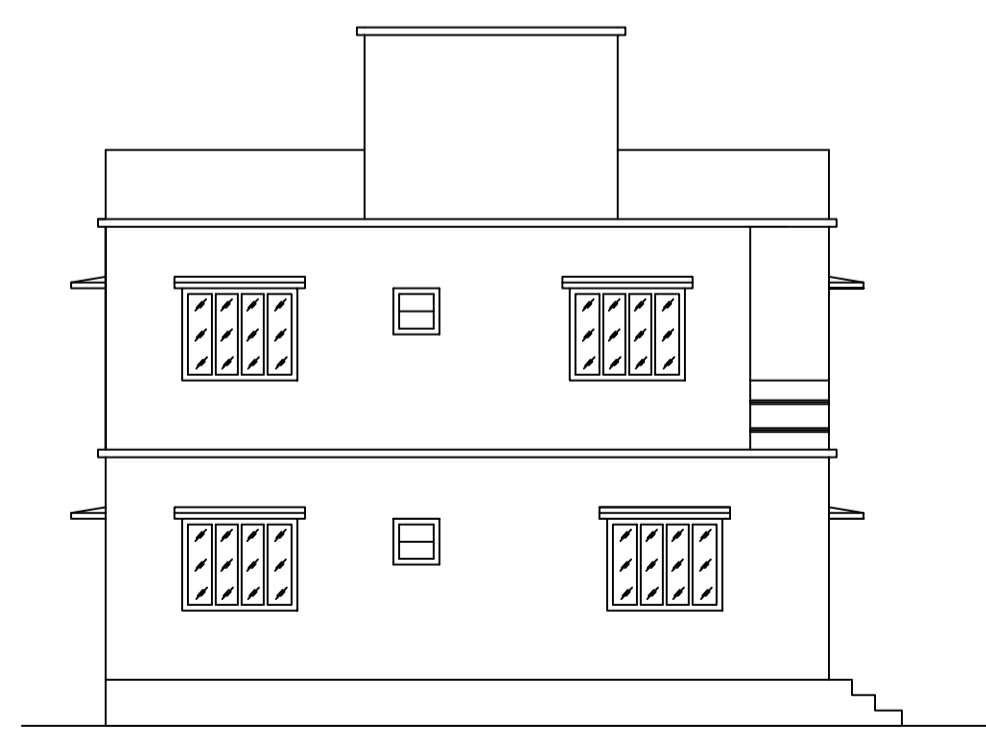
DETAILS OF SEPTIC TANK
SCALE - 1" = 4'-0"



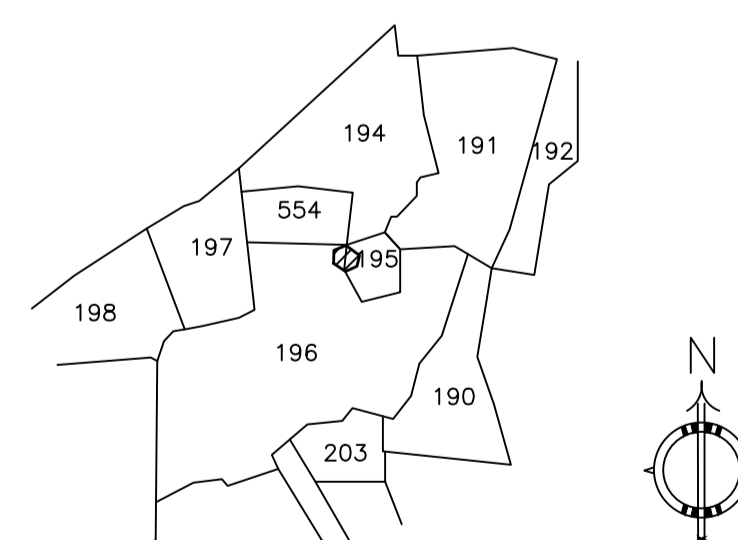
LOCATION PLAN
NOT TO SCALE



FRONT ELEVATION
SCALE - 1" = 8'-0"



LEFT SIDE ELEVATION
SCALE - 1" = 8'-0"



KEY PLAN
SCALE: 1" = 330'0"

LTP NAME AND SIGNATURE	STRUCTURAL ENG'S NAME AND SIGNATURE	BUILDER NAME AND SIGNATURE	DIGITAL SIGNATURE
RAM PRATAP SINGH MADA/ARC/0024/2019			