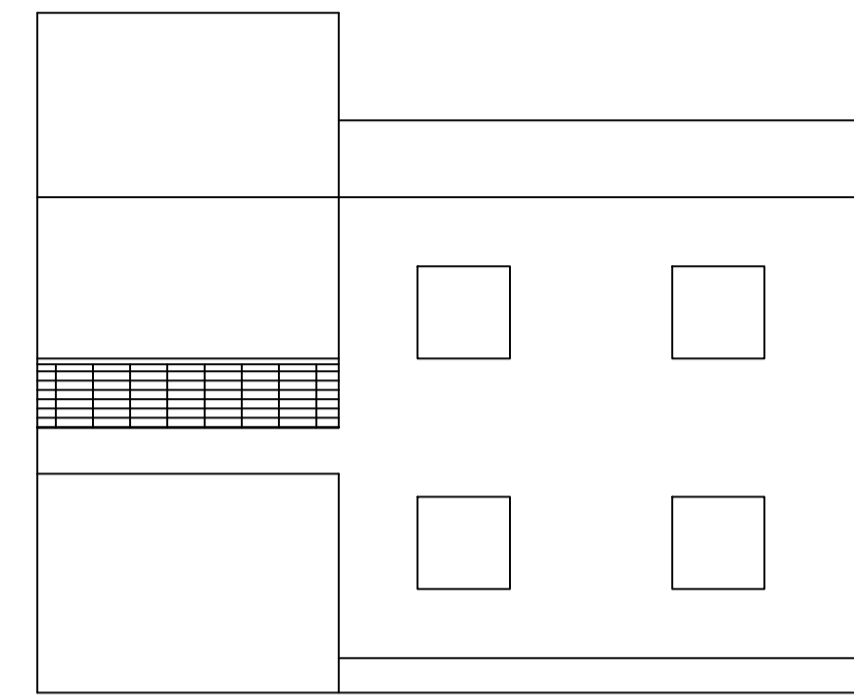
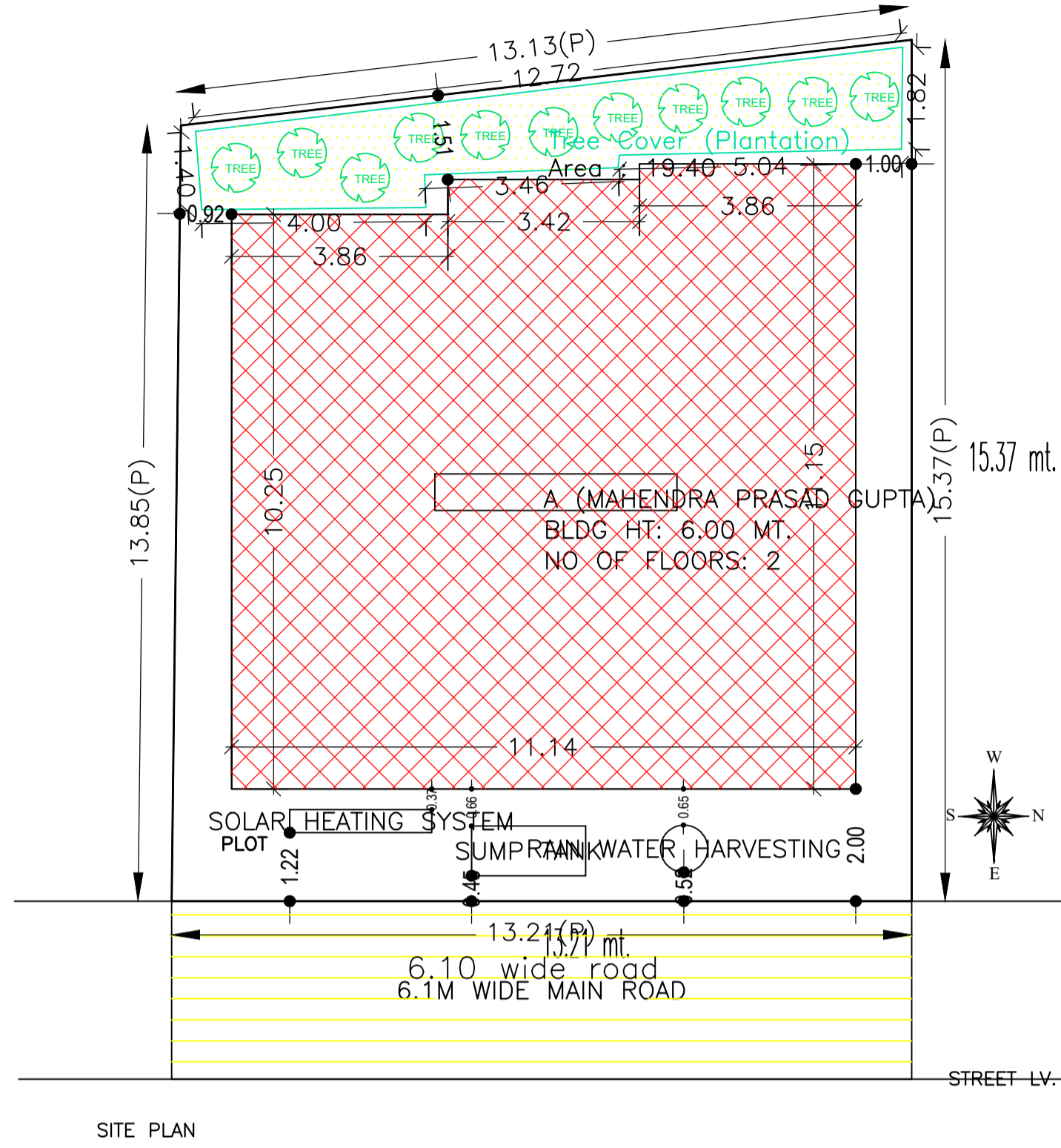
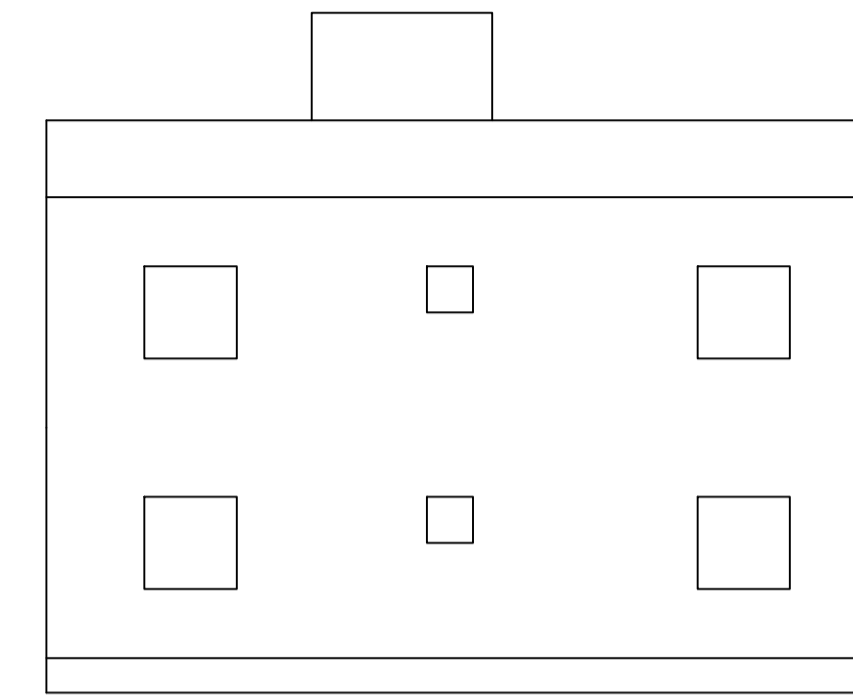


Proposal Basic Information	
Proposal File No.	MADA/BP/0150/2022
Owner Name	Sri Mahendra Prasad Gupta
Khata No	132 ( OLD ) , Khata No. - 202 ( NEW)
Plot No	2769 (OLD), Plot No. - 2702 (NEW)
Village Name	Bara Pichari
Use	Residential
SubUse	Bungalow/ Dwelling / Non Apartment

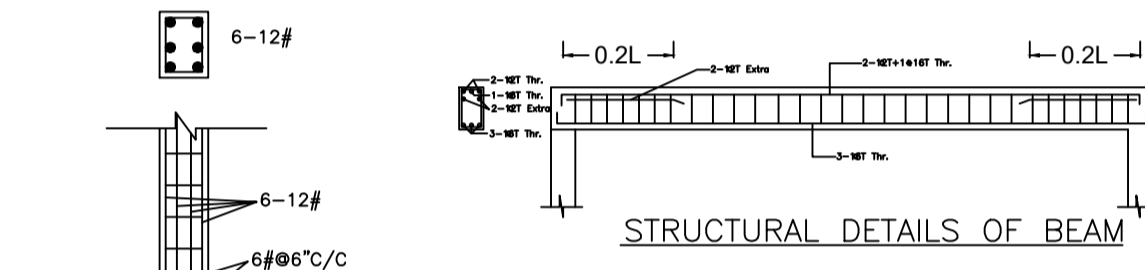


FRONT ELEVATION

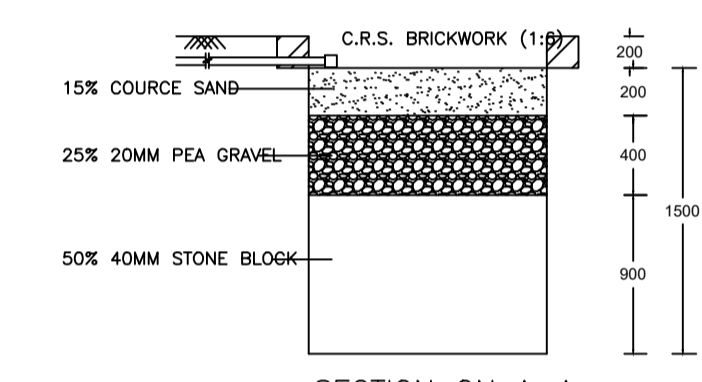


RIGHT SIDE ELEVATION

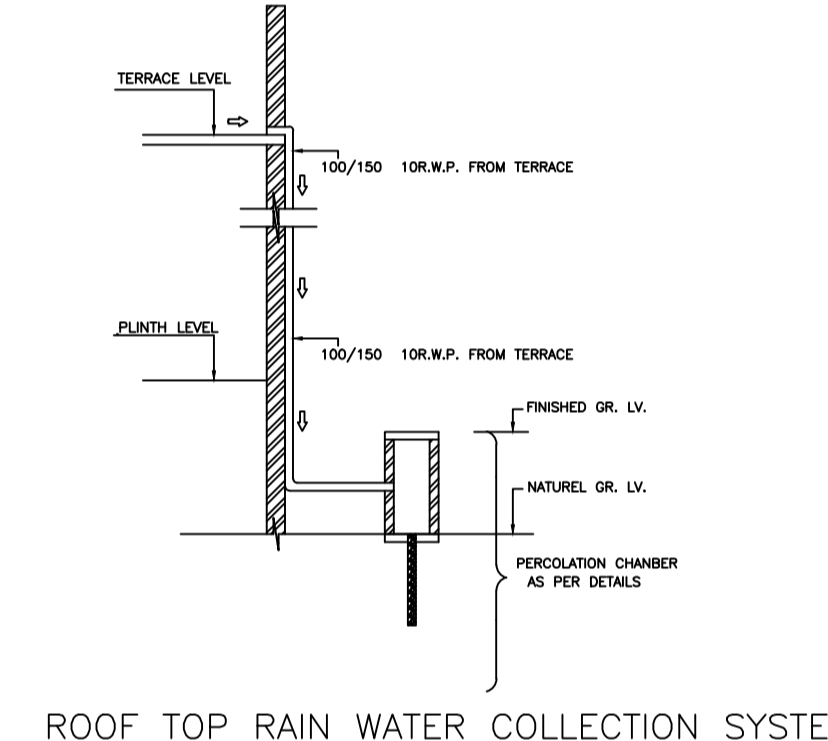
AREA STATEMENT MINERAL DEVELOPMENT AUTHORITY		VERSION NO. : 1.0.62
PROJECT DETAIL:		VERSION DATE: 16/10/2020
Region: JHARKHAND URBAN LOCAL BODIES	Plot Use: Residential	
District: DHANBAD	Plot SubUse: Bungalow/ Dwelling / Non Apartment	
Authority: MINERAL AREA DEVELOPMENT AUTHORITY	PlotNearby/ReligiousStructure: NA	
Inward No: MADA/BP/0150/2022	Plot/SubPlot No: 2769 (OLD), Plot No. - 2702 (NEW)	
Application Type: General Proposal	North: Plot No. - PART OF SOLD PLOT	
Project Type: Building Permission	South: Plot No. - SAURAV KUMAR & NEHA KUMARI	
Nature of Development: New	East: Road Width - 6.1M WIDE MAIN ROAD	
Location of Development Area: Old Area	West: Plot No. - PART OF PLOT NO. - 2701	
AREA OF PLOT (Minimum)	(A)	SQ.MT. 191.72
NET AREA OF PLOT(Gross Plot Area - Deduction from Gross Plot area)	(A-Deductions)	191.72
Deduction for Balance Plot Area(from Gross Plot Area)		
Common Plot		19.40
Total		19.40
BALANCE AREA OF PLOT(Net Plot Area - Recreational/Amenity space)	(A-Deductions)	172.32
PLOT AREA FOR COVERAGE(Net Plot Area)	(A-Deductions)	191.72
Plot Area for FAR (Net Plot Area + RoadWidening Area)	(A-Deductions)	191.72
COVERAGE CHECK		
Permissible Coverage area ( 70.00 % )		134.20
Proposed Coverage Area ( 62.53 % )		119.88
Total Prop. Coverage Area ( 62.53 % )		119.88
Balance coverage area ( 7.47 % )		14.32
FAR CHECK		
Perm. FAR Area ( 2.50 )		479.30
Total Perm. FAR area		479.30
Residential FAR		239.76
Proposed FAR Area		239.76
Total Proposed FAR Area		239.76
Consumed FAR (Factor)		1.25
Balance FAR Area		239.54
BUILT UP AREA CHECK		
Total Proposed BuiltUp Area		239.76
ARCHITECT (Regd)		RAJEEV RANJAN SINGH
ENGINEER (Regd)		
SUPERVISOR (Regd)		
OWNER (Regd)		Sri Mahendra Prasad Gupta
DEVELOPMENT AUTHORITY		LOCAL BODY



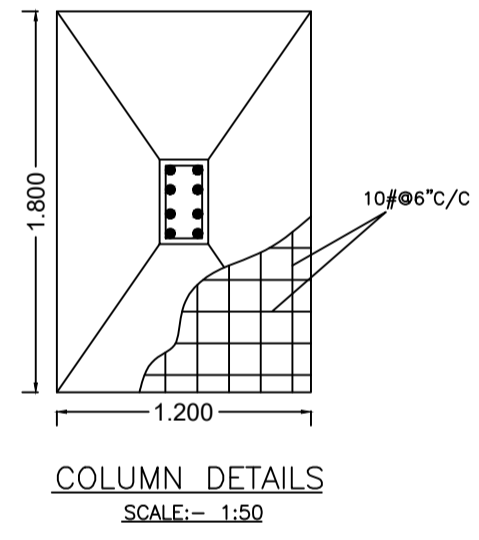
STRUCTURAL DETAILS OF BEAM



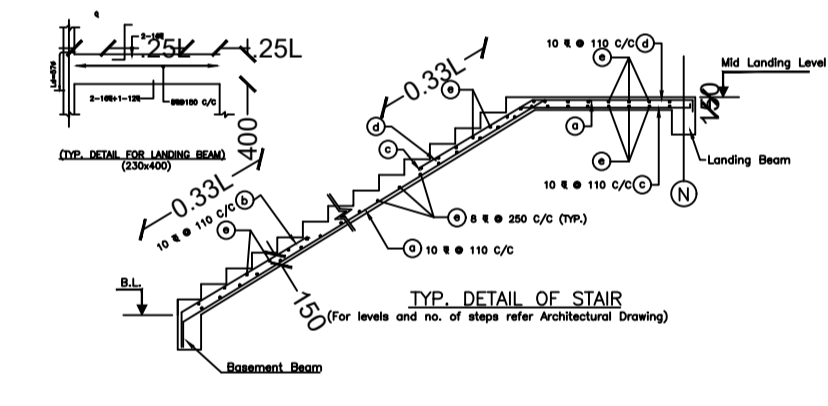
SECTION ON A-A



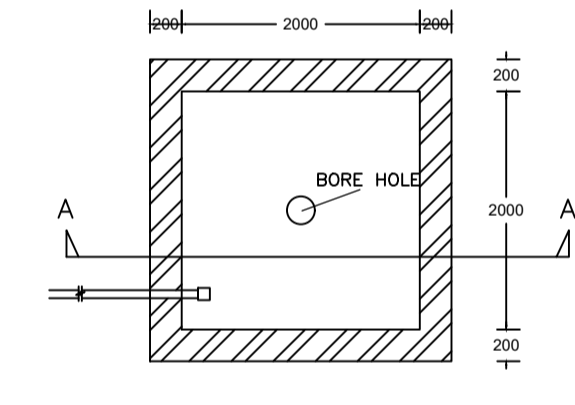
ROOF TOP RAIN WATER COLLECTION SYSTEM



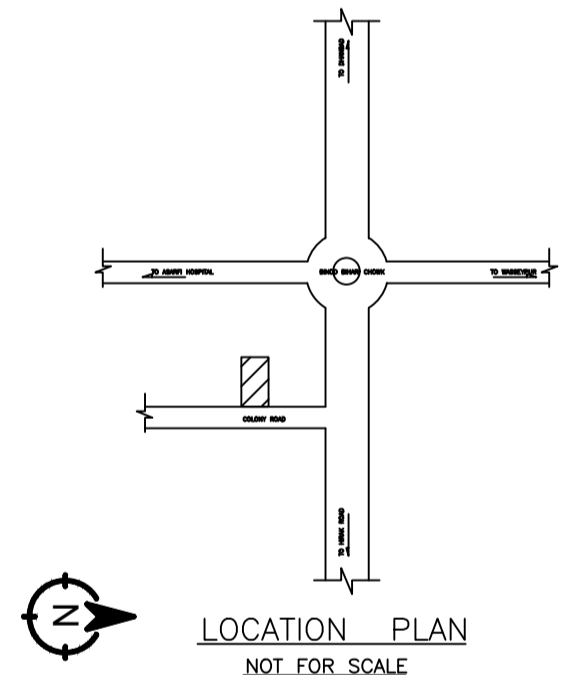
COLUMN DETAILS SCALE:- 1:50



TIP DETAIL OF STAIR



PLAN OF RECHARGE WELL (WATER HARVESTING)



LOCATION PLAN NOT FOR SCALE

SCHEDULE OF DOOR:

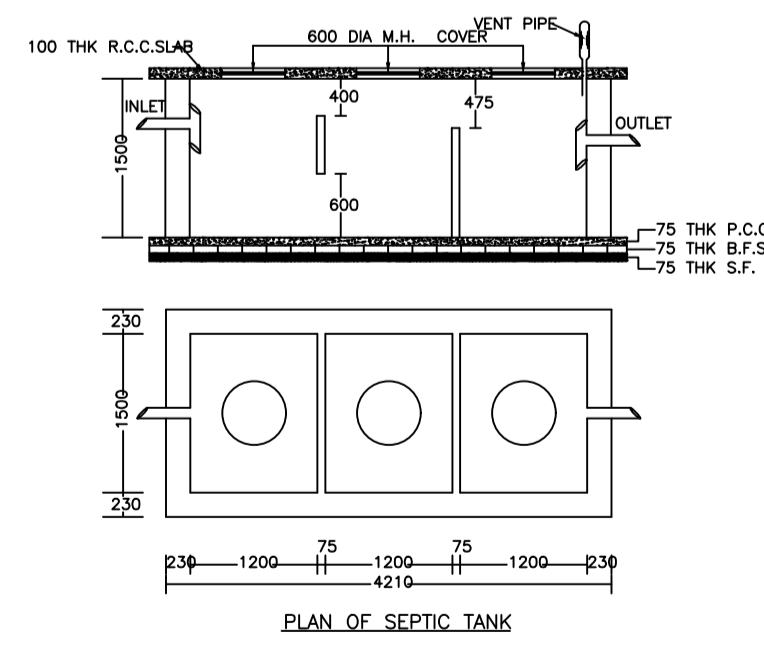
BUILDING NAME	NAME	LENGTH	HEIGHT	NOS
A (MAHENDRA PRASAD GUPTA)	D2	0.75	2.10	06
A (MAHENDRA PRASAD GUPTA)	D1	0.99	2.10	02
A (MAHENDRA PRASAD GUPTA)	D1	1.07	2.10	08

SCHEDULE OF WINDOW/VENTILATION:

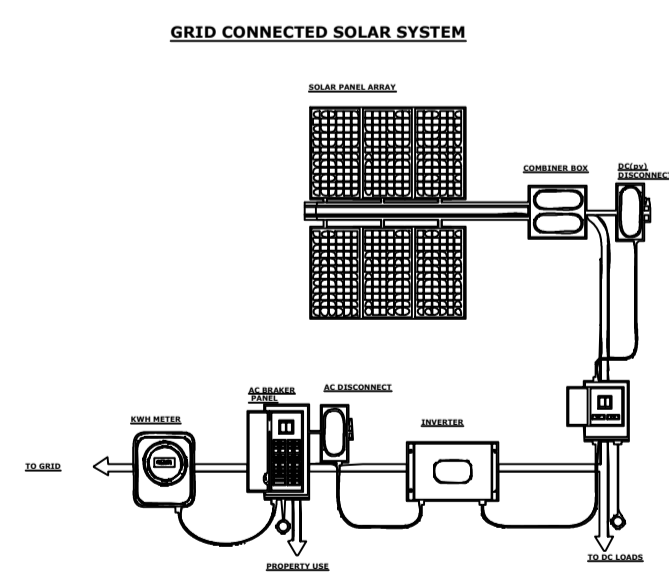
BUILDING NAME	LENGTH	HEIGHT	NOS
A (MAHENDRA PRASAD GUPTA)	V	0.61	06
A (MAHENDRA PRASAD GUPTA)	W	1.22	16

Building :A (MAHENDRA PRASAD GUPTA)

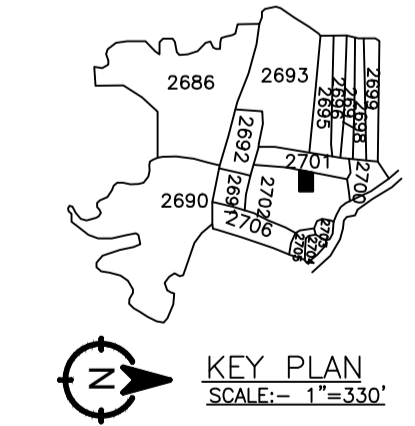
Floor Name	Total Built Up Area (Sq.mt.)	Proposed FAR Area (Sq.mt.)	Total FAR Area (Sq.mt.)	Total Consumed Additional FAR Area (Sq.mt.)	Tnmt (No.)
Ground Floor	119.88	119.88	119.88	119.88	01
First Floor	119.88	119.88	119.88	119.88	00
Terrace Floor	0.00	0.00	0.00	0.00	00
Total:	239.76	239.76	239.76	239.76	01
Total Number of Same Buildings	1				
Total:	239.76	239.76	239.76	239.76	01



PLAN OF SEPTIC TANK



GRID CONNECTED SOLAR SYSTEM



KEY PLAN SCALE:- 1"=330'

COLOR INDEX	
PLOT BOUNDARY	Black
ABUTTING ROAD	Green
PROPOSED CONSTRUCTION	Red
COMMON PLOT	Yellow
ROAD WIDENING AREA	Orange
EXISTING (To be retained)	Blue
EXISTING (To be demolished)	Light Blue

Buildingwise Floor FAR Details

Floor Name	Building Name A (MAHENDRA PRASAD GUPTA)		Total	
	Proposed Built Up Area (Sq.mt.)	Proposed FAR Area (Sq.mt.)	Total Proposed Built Up Area (Sq.mt.)	Total FAR Area (Sq.mt.)
Ground Floor	119.88	119.88	119.88	119.88
First Floor	119.88	119.88	119.88	119.88
Terrace Floor	0.00	0.00	0.00	0.00
Total:	239.76	239.76	239.76	239.76

Building USE/SUBUSE Details

Building Name	Building Use	Building SubUse	Building Structure
A (MAHENDRA PRASAD GUPTA)	Residential	Bungalow/ Dwelling / Non Apartment	Non-Highrise

UnitBUA Table for Building :A (MAHENDRA PRASAD GUPTA)

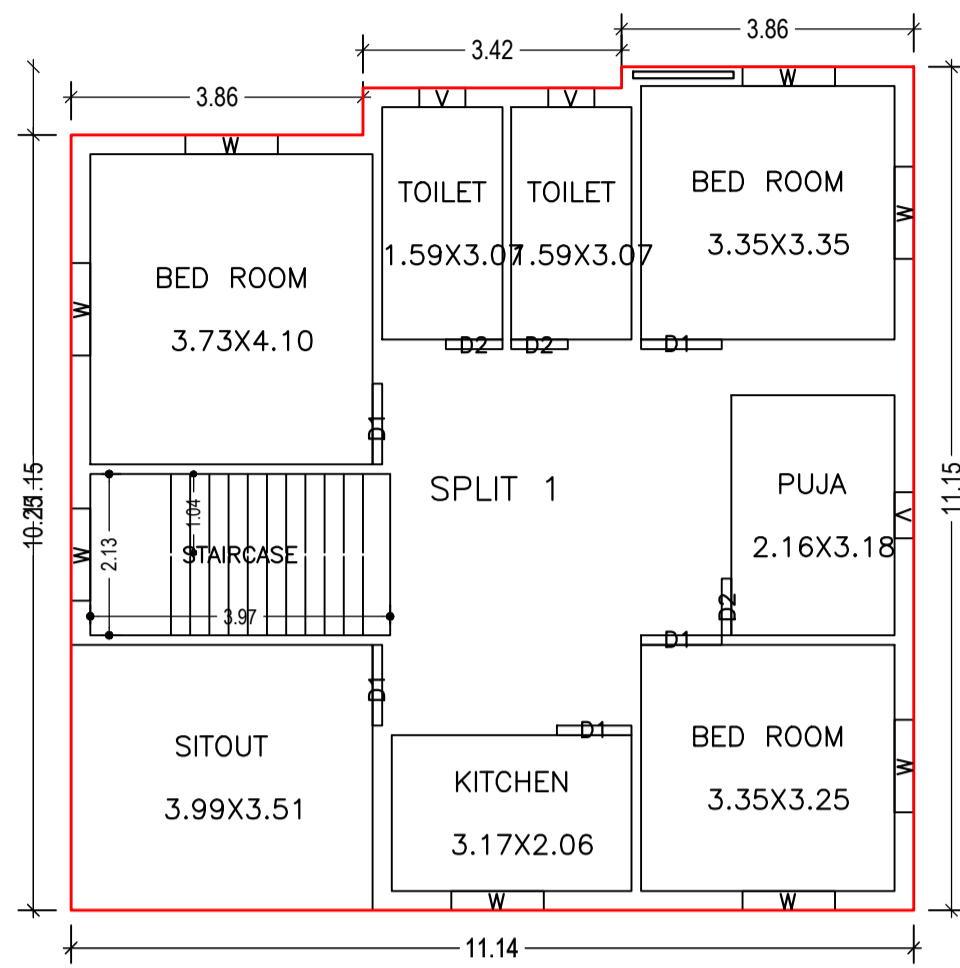
FLOOR	Name	UnitBUA Type	UnitBUA Area	Carpet Area	No. of Rooms	No. of Tenement
GROUND FLOOR PLAN	SPLIT 1	FLAT	239.76	239.53	8	1
FIRST FLOOR PLAN	SPLIT 1	FLAT	0.00	0.00	8	0
Total:	-	-	239.76	239.53	16	1

FAR & Tenement Details (Table 4c-1)

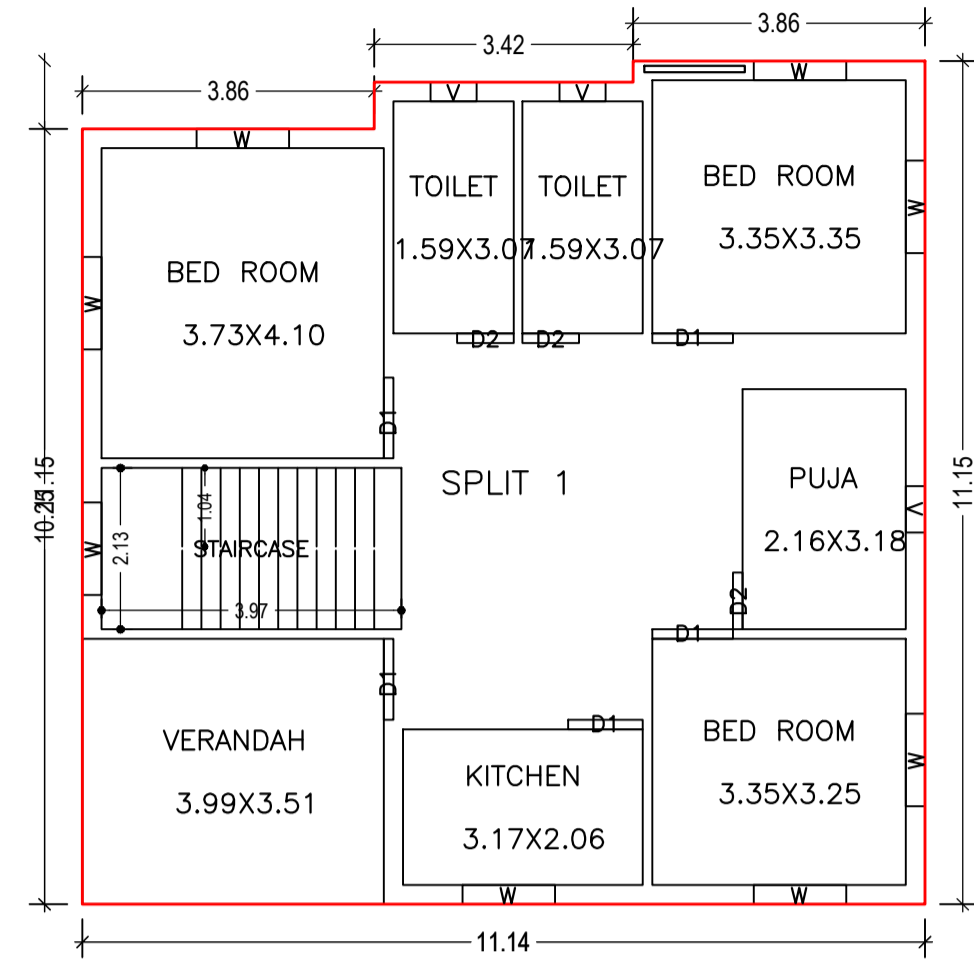
Building	No. of Same Bldg	Total Built Up Area (Sq.mt.)	Proposed FAR Area (Sq.mt.)	Total FAR Area (Sq.mt.)	Total Consumed Additional FAR Area (Sq.mt.)	Tnmt (No.)
A (MAHENDRA PRASAD GUPTA)	1	239.76	239.76	239.76	239.76	01
Grand Total:	1	239.76	239.76	239.76	239.76	01

LTP NAME AND SIGNATURE	STRUCTURAL ENG'S NAME AND SIGNATURE	BUILDER NAME AND SIGNATURE	DIGITAL SIGNATURE
RAJEEV RANJAN SINGH MADA/ENG/0004/2019			

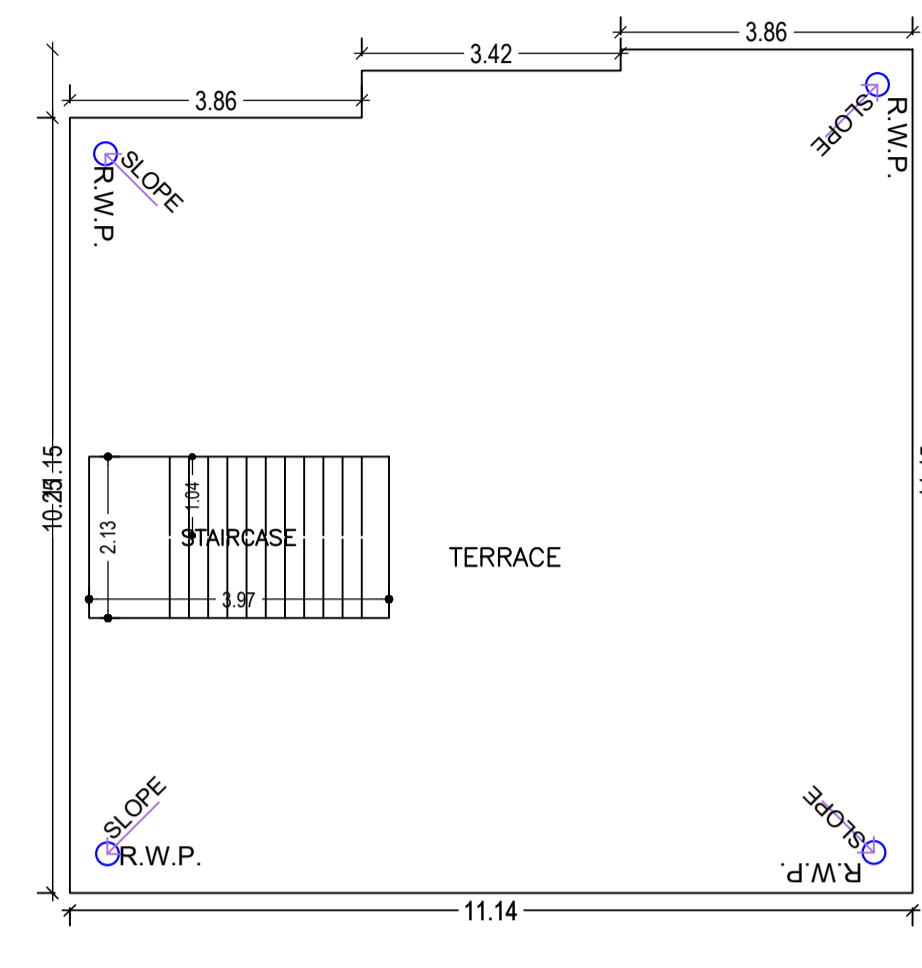
Proposal Basic Information	
Proposal File No.	MADA/BP/0150/2022
Owner Name	Sri Mahendra Prasad Gupta
Khata No	132 ( OLD ) , Khata No. - 202 ( NEW )
Plot No	2769 (OLD), Plot No. - 2702 (NEW)
Village Name	Bara Pichari
Use	Residential
SubUse	Bungalow/ Dwelling / Non Apartment



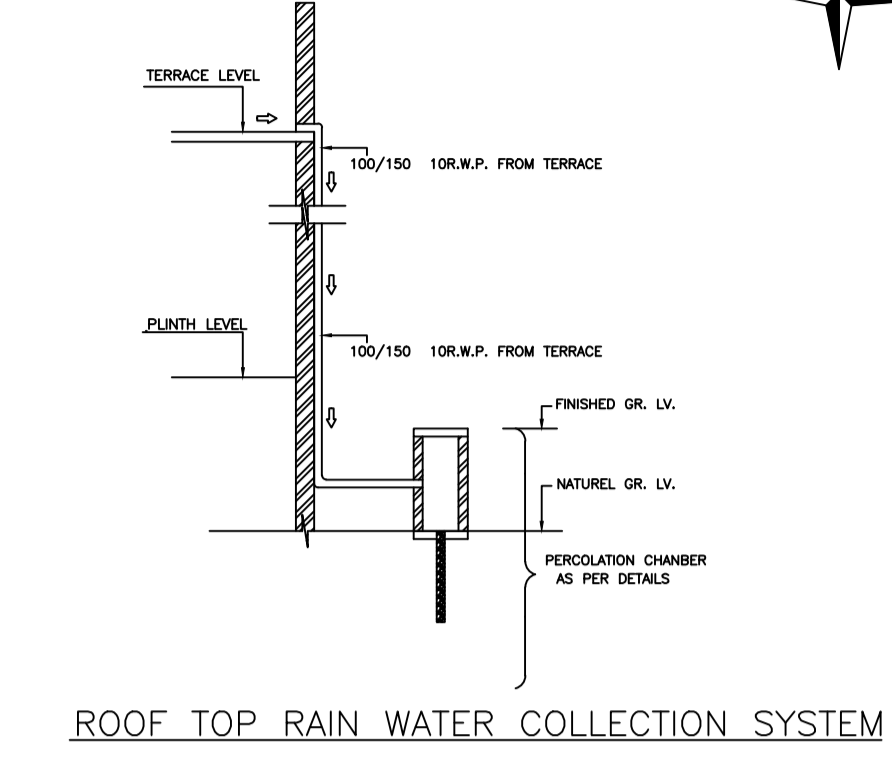
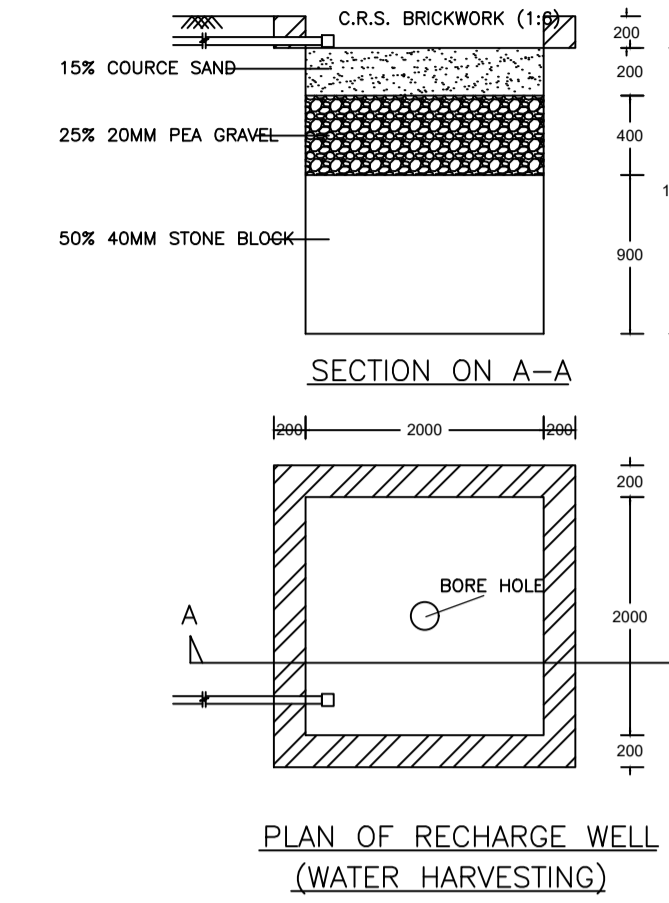
FIRST FLOOR PLAN  
(Proposed)  
(SCALE 1:100)



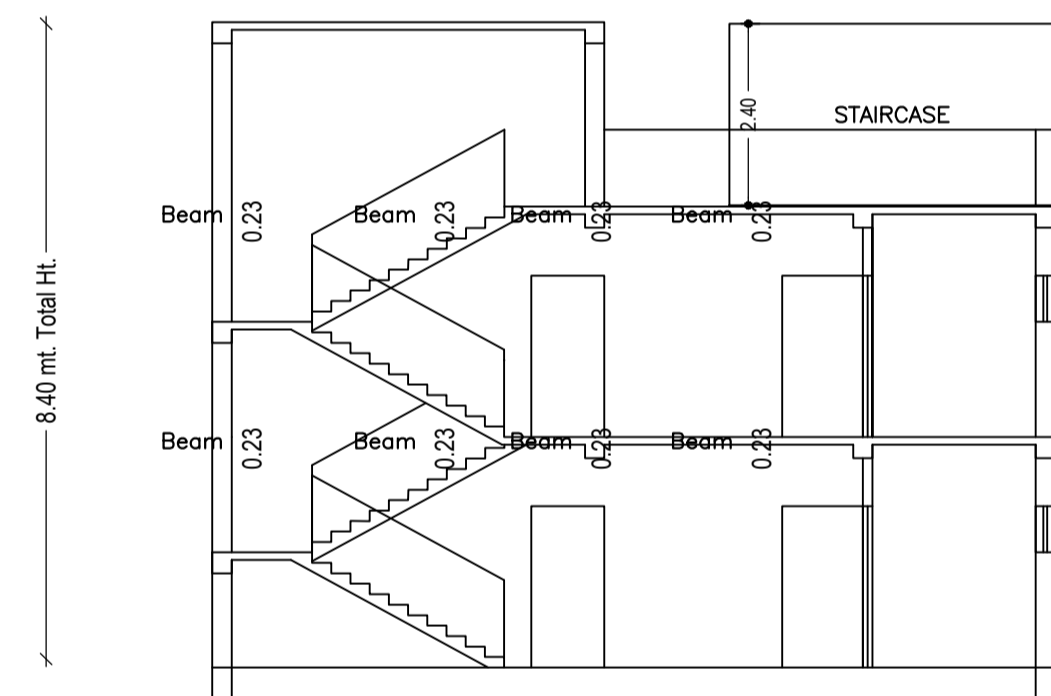
GROUND FLOOR PLAN  
(Proposed)  
(SCALE 1:100)



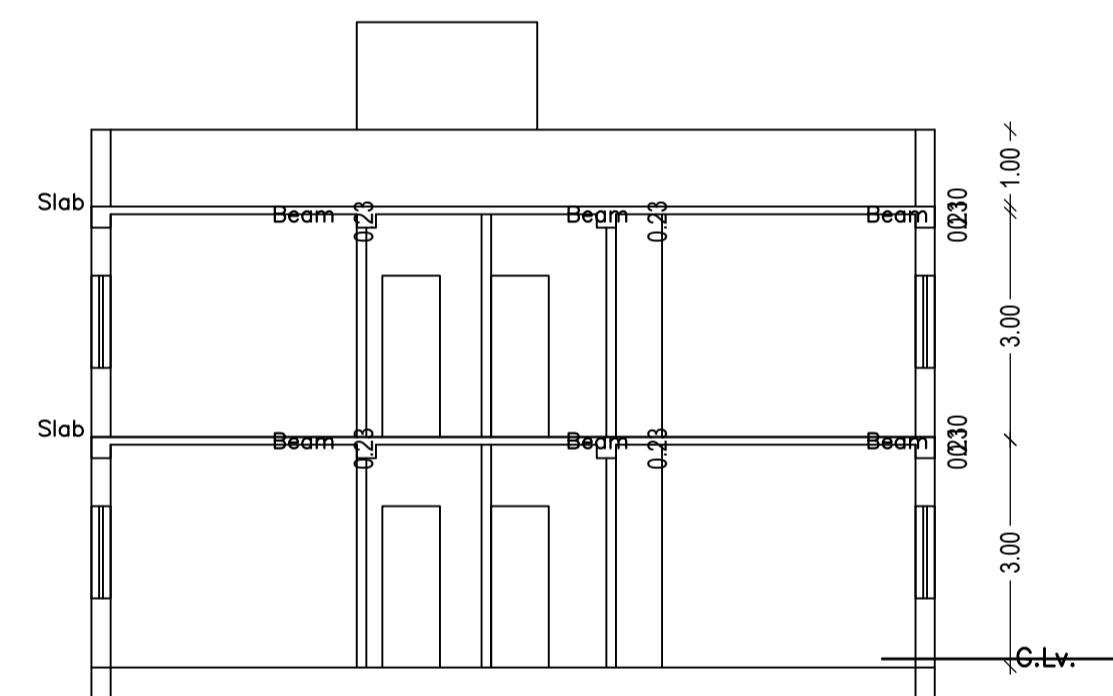
TERRACE FLOOR PLAN  
(SCALE 1:100)



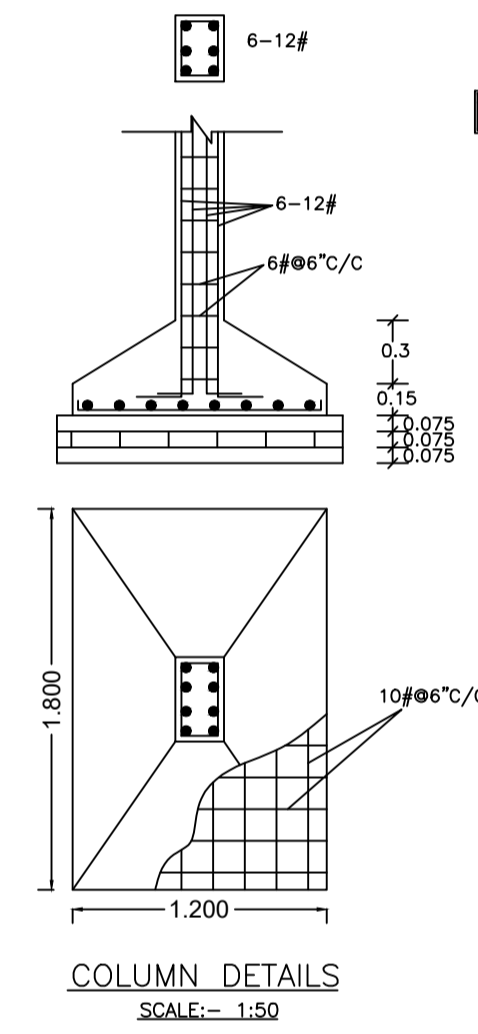
ROOF TOP RAIN WATER COLLECTION SYSTEM



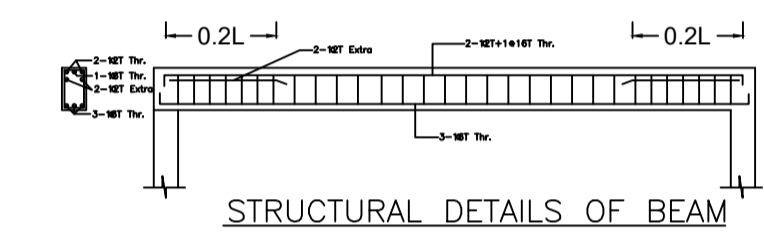
SECTION ON X-X



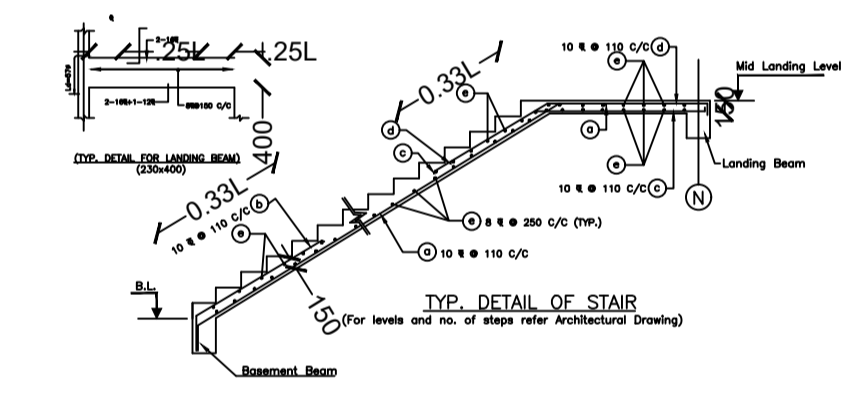
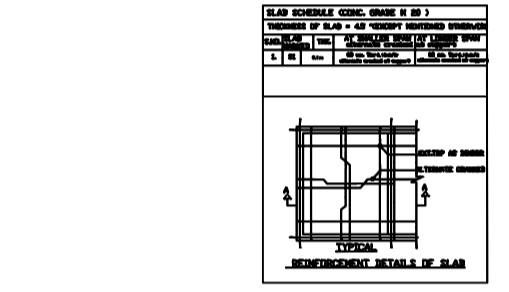
SECTION ON Y-Y



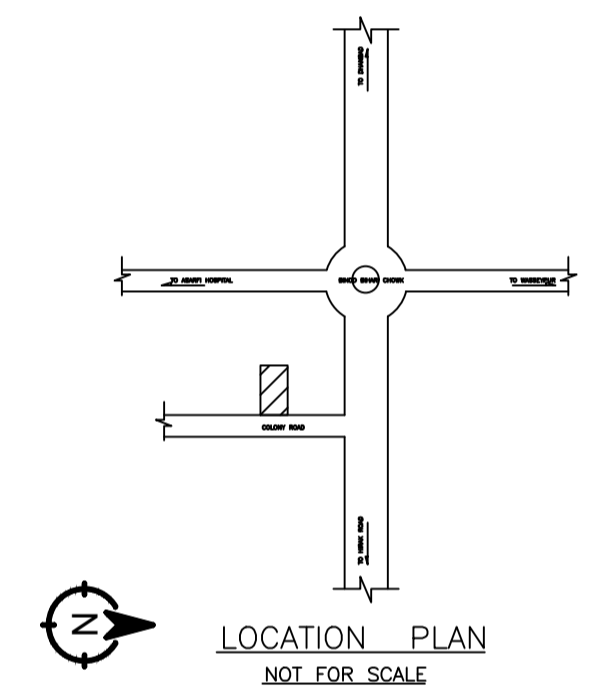
COLUMN DETAILS  
SCALE:- 1:50



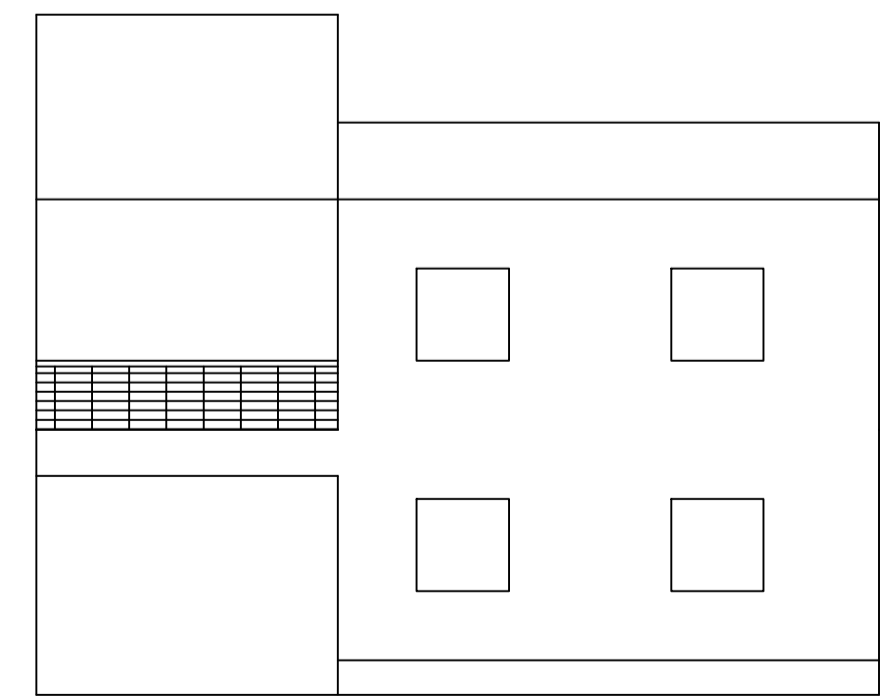
STRUCTURAL DETAILS OF BEAM



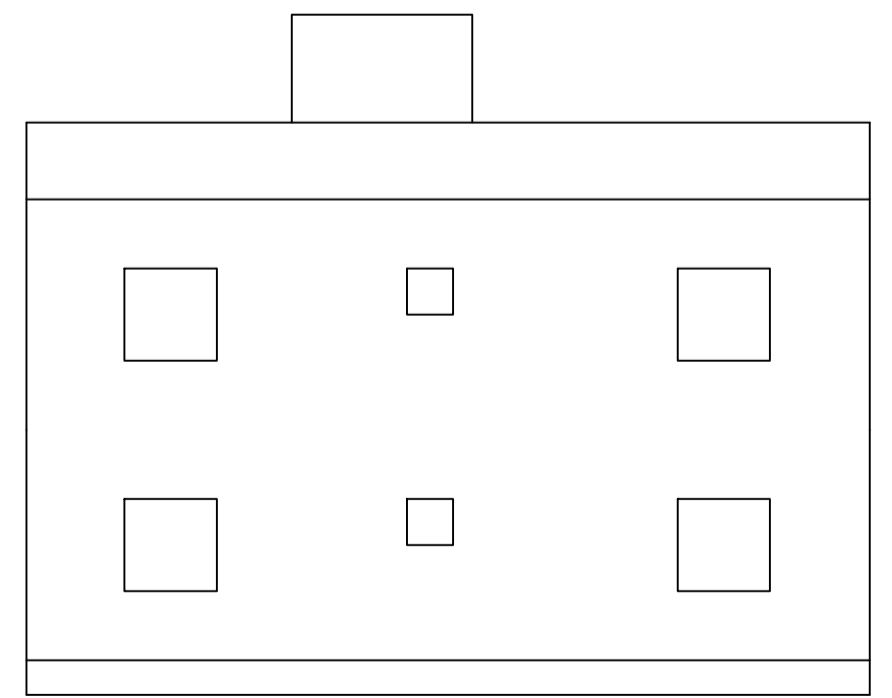
TYP. DETAIL OF STAIR  
SCALE:- 1:50



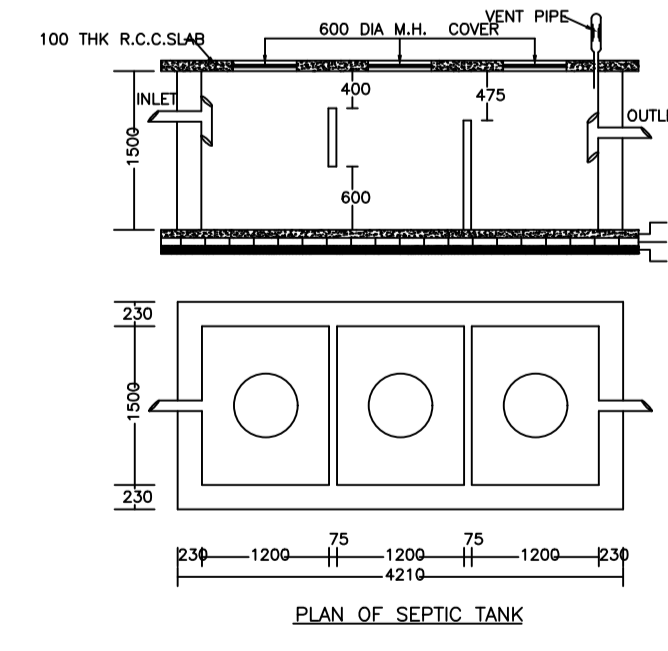
LOCATION PLAN  
NOT FOR SCALE



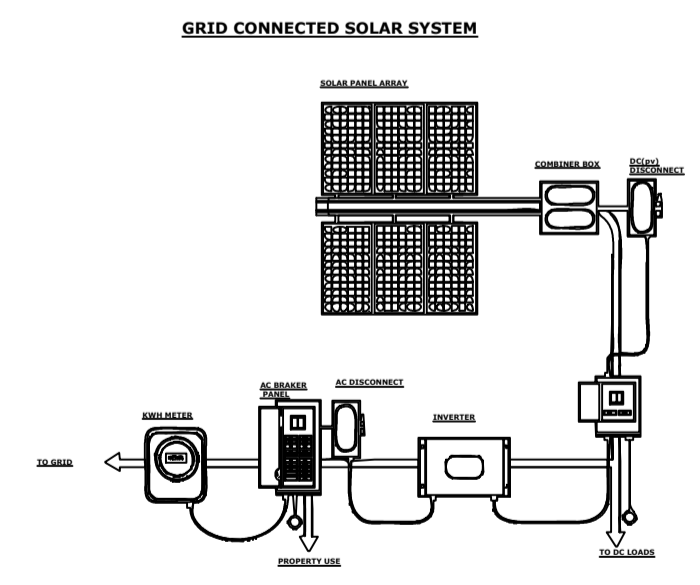
FRONT ELEVATION



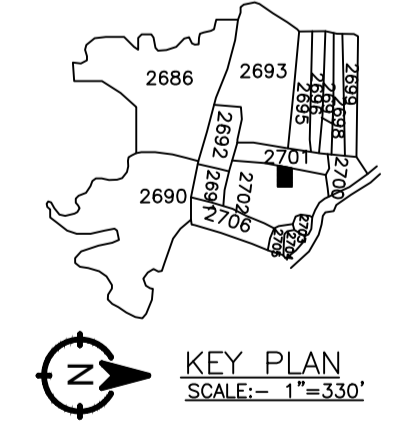
RIGHT SIDE ELEVATION



PLAN OF SEPTIC TANK



GRID CONNECTED SOLAR SYSTEM



KEY PLAN  
SCALE:- 1"=350'

LTP NAME AND SIGNATURE	STRUCTURAL ENG'S NAME AND SIGNATURE	BUILDER NAME AND SIGNATURE	DIGITAL SIGNATURE
RAJEEV RANJAN SINGH MADA/ENG/0004/2019			