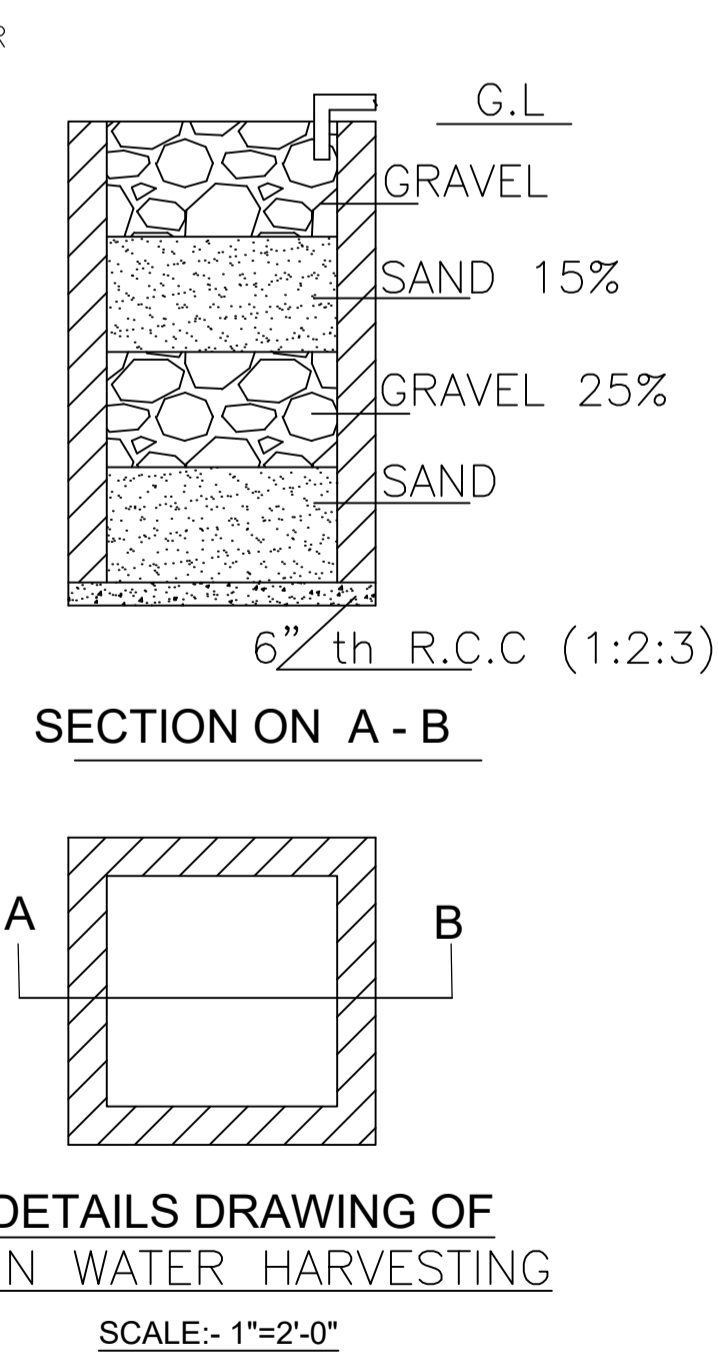
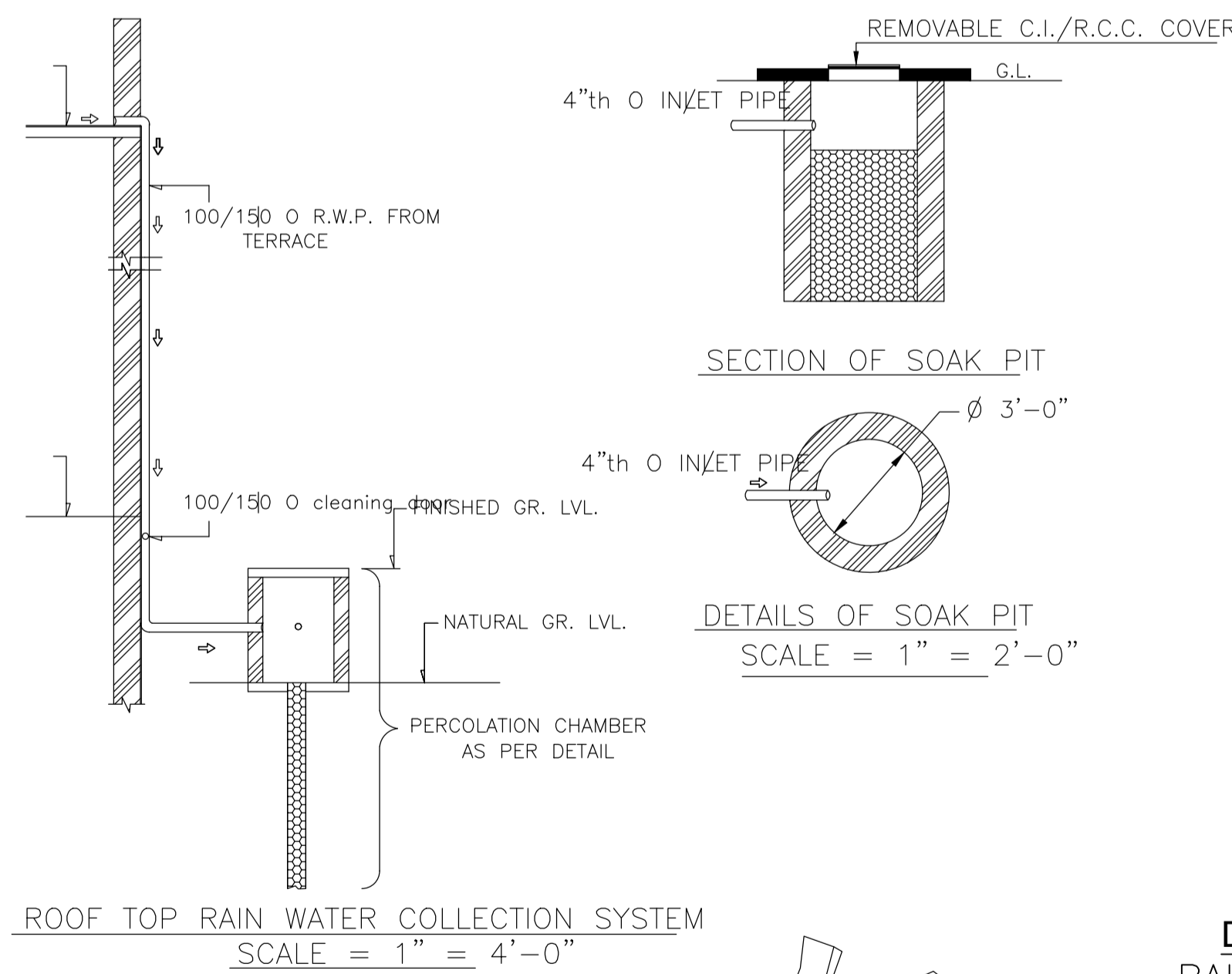
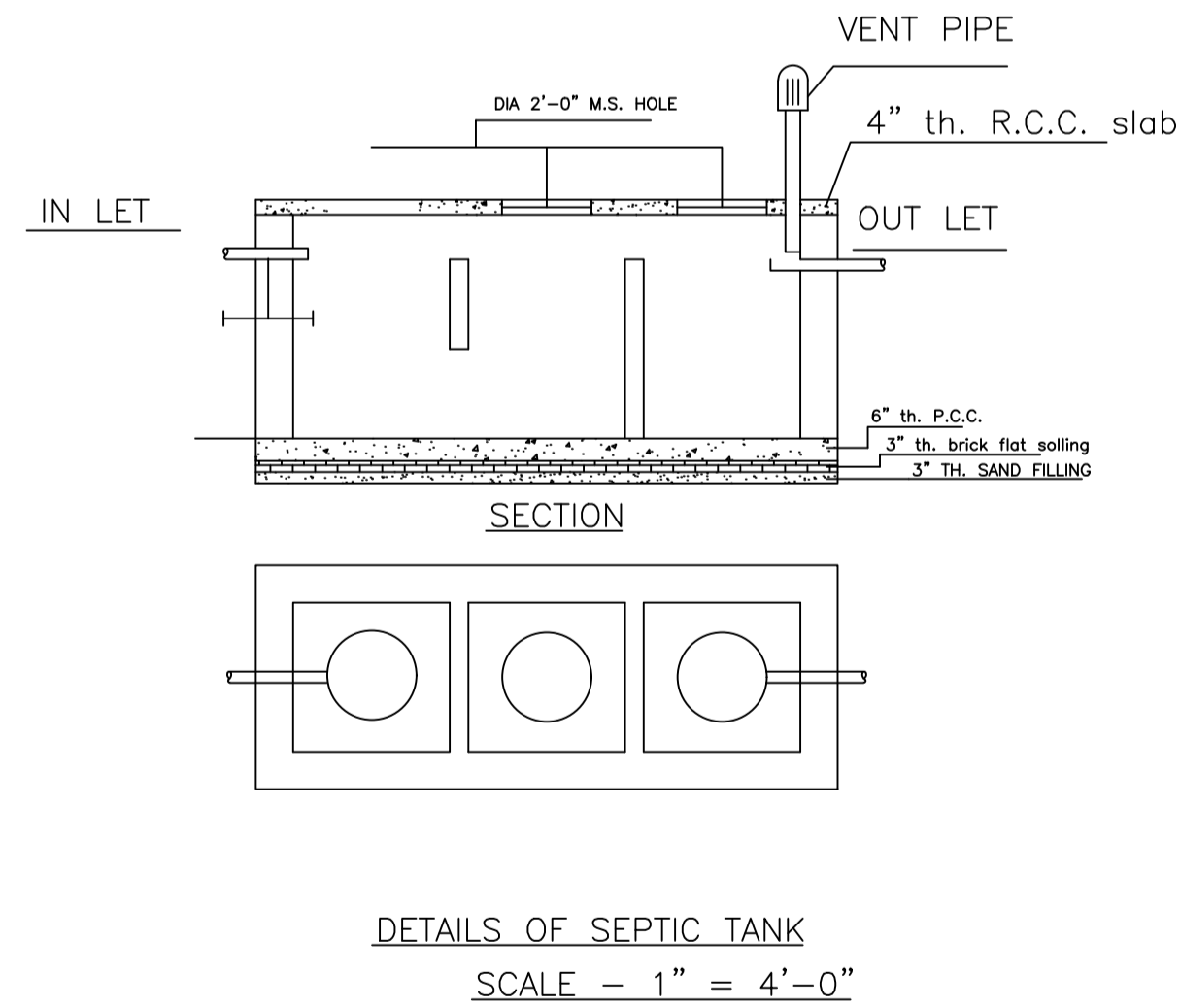
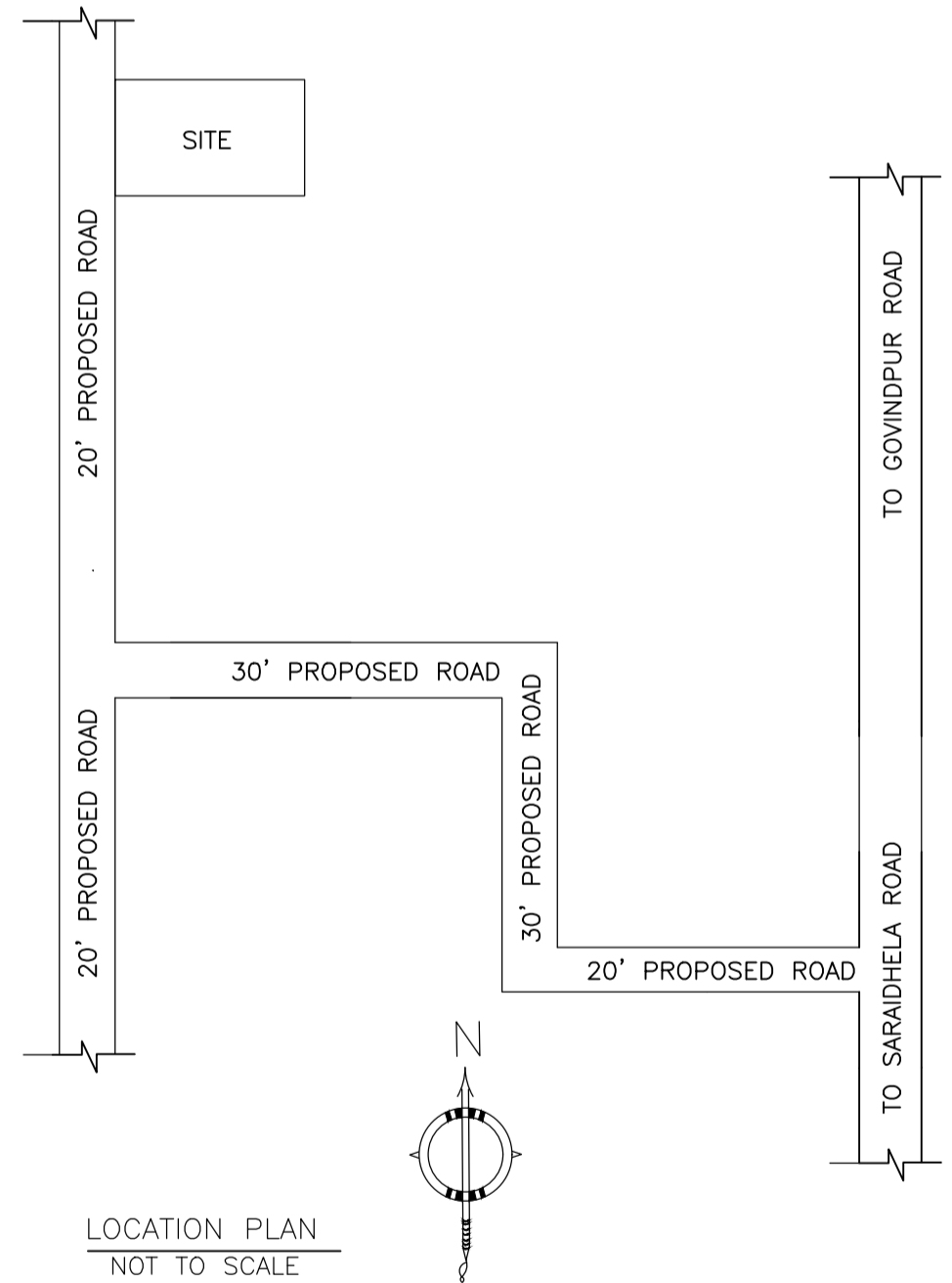
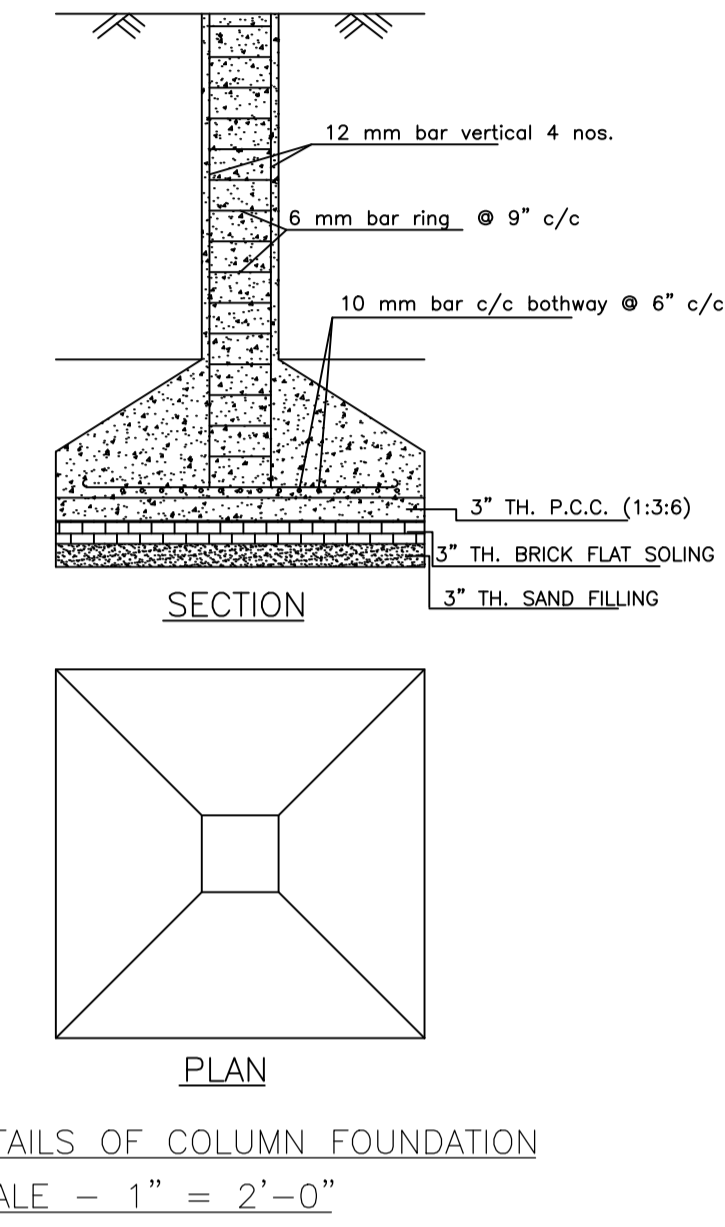
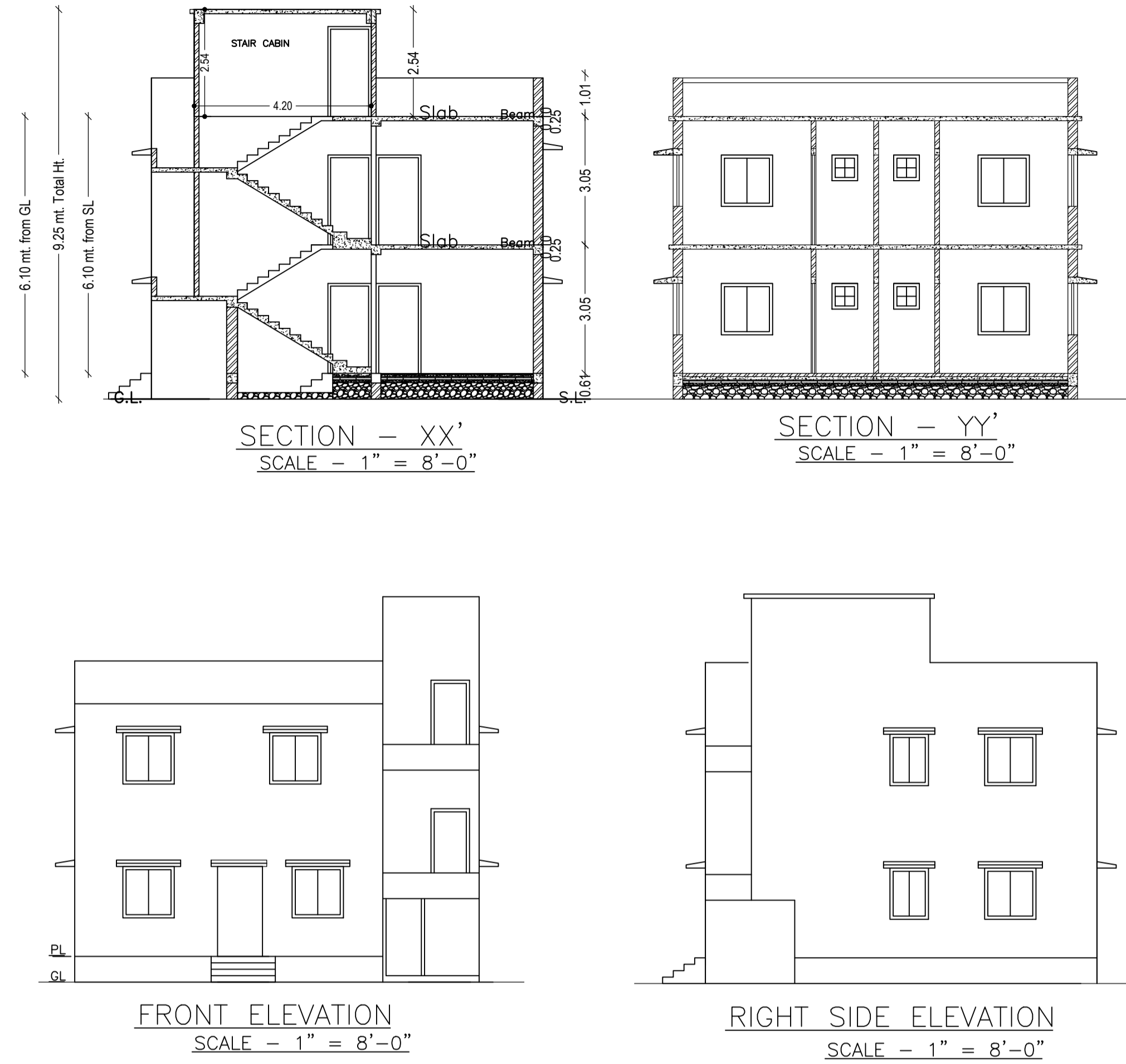
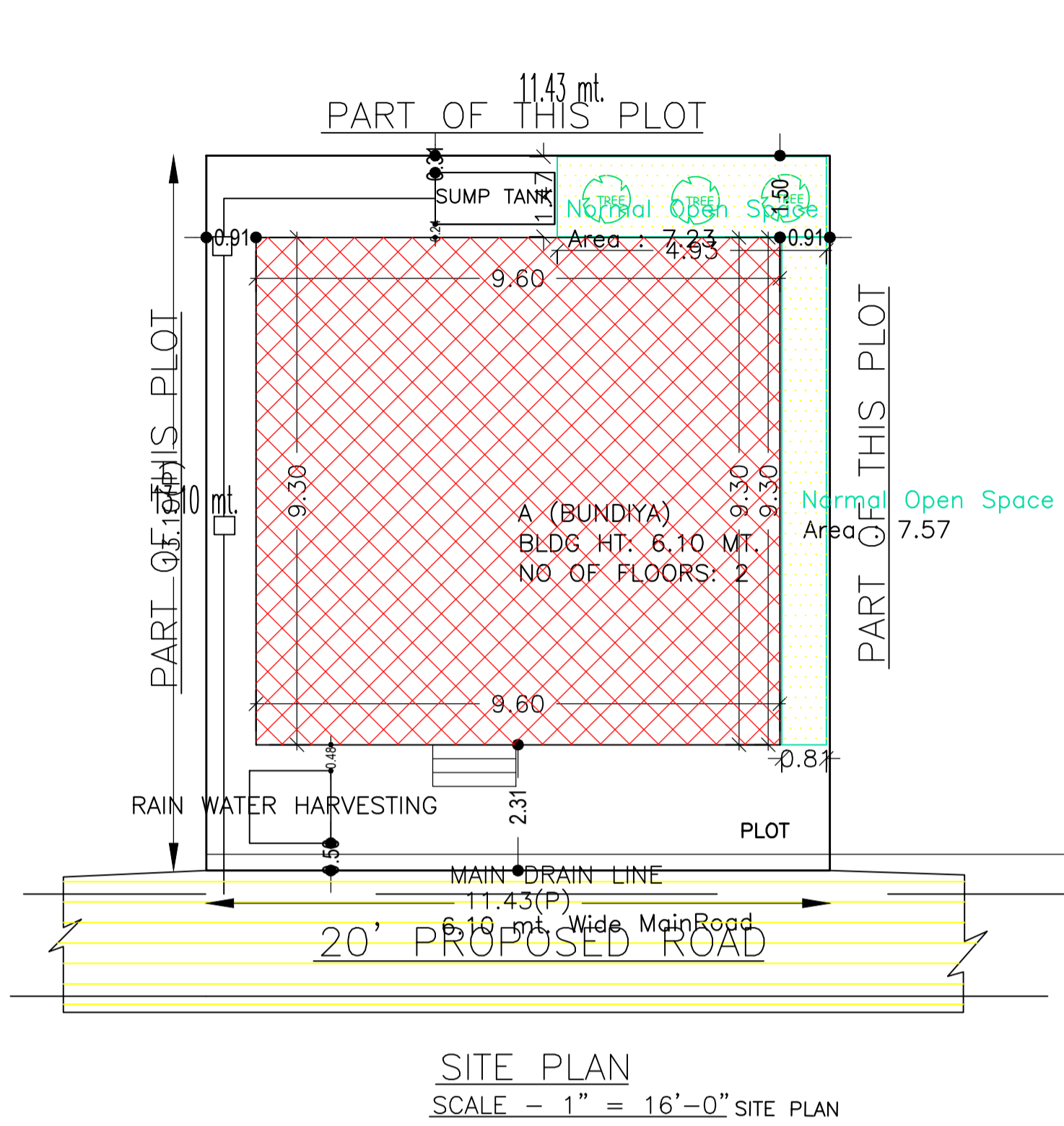


Proposal Basic Information	
Proposal File No.	MADA/BP/0130/2022
Owner Name	SMT. BUNDIYA DEVI
Khata No	OLD KHATA NO. 69, NEW KHATA NO. 134
Plot No	OLD PLOT NO. 500, NEW PLOT NO. 1455
Village Name	Jialgora
Use	Residential
SubUse	Bungalow/ Dwelling / Non Apartment



AREA STATEMENT MINERAL AREA DEVELOPMENT AUTHORITY		VERSION NO.: 1.0.62
PROJECT DETAIL:		VERSION DATE: 16/10/2020
Region: JHARKHAND URBAN LOCAL BODIES	Plot Use: Residential	
District: DHANBAD	Plot SubUse: Bungalow/ Dwelling / Non Apartment	
Authority: MINERAL AREA DEVELOPMENT AUTHORITY	PlotNearbyReligiousStructure: NA	
Inward No: MADA/BP/0130/2022	Plot/SubPlot No: OLD PLOT NO. 500, NEW PLOT NO. 1455	
Application Type: General Proposal	North: Plot No. - SAME PLOT	
Project Type: Building Permission	South: Plot No. - SAME PLOT	
Nature of Development: New	East: Plot No. - SAME PLOT	
Location of Development Area: Old Area	West: Road Width - 6.10	
<b>AREA DETAILS:</b>		SQ.MT.
AREA OF PLOT (Minimum)	(A)	149.68
NET AREA OF PLOT(Gross Plot Area - Deduction from Gross Plot area)	(A-Deductions)	149.68
Deduction for Balance Plot Area(from Gross Plot Area)		
Common Plot		14.80
Total		14.80
BALANCE AREA OF PLOT(Net Plot Area - Recreational/Amenity space)	(A-Deductions)	134.88
PLOT AREA FOR COVERAGE(Net Plot Area)	(A-Deductions)	149.68
Plot Area for FAR (Net Plot Area + RoadWidening Area)	(A-Deductions)	149.68
<b>COVERAGE CHECK</b>		
Permissible Coverage area ( 70.00 % )		104.78
Proposed Coverage Area ( 59.64 % )		89.26
Total Prop. Coverage Area ( 59.64 % )		89.26
Balance coverage area ( 10.37 % )		15.52
<b>FAR CHECK</b>		
Perm. FAR Area ( 2.50 )		374.20
Total Perm. FAR area		374.20
Residential FAR		178.51
Proposed FAR Area		178.51
Total Proposed FAR Area		178.51
Consumed FAR (Factor)		1.19
Balance FAR Area		195.69
<b>BUILT UP AREA CHECK</b>		
Total Proposed BuiltUp Area		178.52
ARCHITECT (Regd)		RAM PRATAP SINGH
ENGINEER (Regd)		
SUPERVISOR (Regd)		
OWNER (Regd)		SMT. BUNDIYA DEVI
DEVELOPMENT AUTHORITY		LOCAL BODY

COLOR INDEX	
PLOT BOUNDARY	Black
ABUTTING ROAD	Red
PROPOSED CONSTRUCTION	Green
COMMON PLOT	Blue
ROAD WIDENING AREA	Yellow
EXISTING (To be retained)	Orange
EXISTING (To be demolished)	Purple

Buildingwise Floor FAR Details				
Floor Name	Building Name A (BUNDIYA)		Total	
	Proposed Built Up Area (Sq.mt.)	Proposed FAR Area (Sq.mt.)	Total Proposed Built Up Area (Sq.mt.)	Total FAR Area (Sq.mt.)
Ground Floor	89.26	89.26	89.26	89.26
First Floor	89.26	89.26	89.26	89.26
Terrace Floor	0.00	0.00	0.00	0.00
Total :	178.52	178.52	178.52	178.52

Building USE/SUBUSE Details			
Building Name	Building Use	Building SubUse	Building Structure
A (BUNDIYA)	Residential	Bungalow/ Dwelling / Non Apartment	Non-Highrise

FAR & Tenement Details (Table 4c-1)						
Building	No. of Same Bldg	Total Built Up Area (Sq.mt.)	Proposed FAR Area (Sq.mt.)	Total FAR Area (Sq.mt.)	Total Consumed Additional FAR Area (Sq.mt.)	Tnmt (No.)
A (BUNDIYA)	1	178.52	178.52	178.52	178.52	01
Grand Total :	1	178.52	178.52	178.52	178.52	01

UnitBUA Table for Building :A (BUNDIYA)

FLOOR	Name	UnitBUA Type	UnitBUA Area	Carpet Area	No. of Rooms	No. of Tenement
GROUND FLOOR PLAN	SPLIT 1	FLAT	178.51	178.03	8	1
FIRST FLOOR PLAN	SPLIT 1	FLAT	0.00	0.00	8	0
Total:	-	-	178.51	178.03	16	1

Building :A (BUNDIYA)

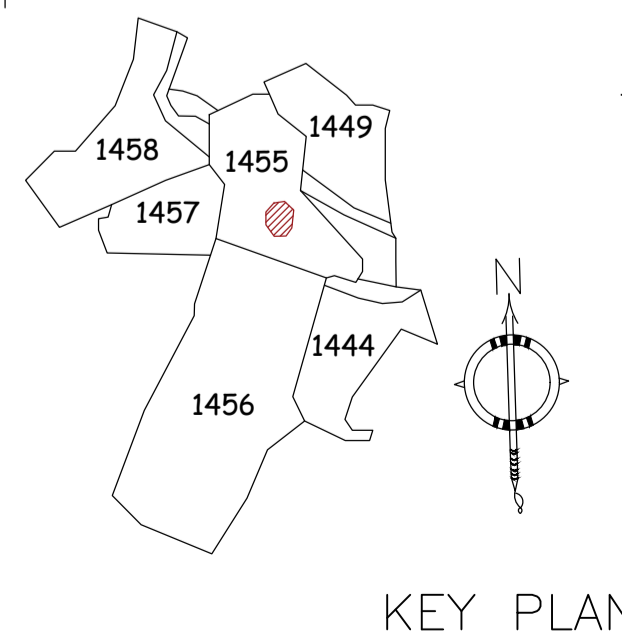
Floor Name	Total Built Up Area (Sq.mt.)	Proposed FAR Area (Sq.mt.)	Total FAR Area (Sq.mt.)	Total Consumed Additional FAR Area (Sq.mt.)	Tnmt (No.)
Ground Floor	89.26	89.26	89.26	89.26	01
First Floor	89.26	89.26	89.26	89.26	00
Terrace Floor	0.00	0.00	0.00	0.00	00
Total :	178.52	178.52	178.52	178.52	01
Total Number of Same Buildings	1				
Total :	178.52	178.52	178.52	178.52	01

SCHEDULE OF DOOR:

BUILDING NAME	NAME	LENGTH	HEIGHT	NOS
A (BUNDIYA)	D	0.84	2.10	05
A (BUNDIYA)	D	0.91	2.10	02
A (BUNDIYA)	D	1.07	2.10	09
A (BUNDIYA)	O	2.23	2.10	01

SCHEDULE OF WINDOW/VENTILATION:

BUILDING NAME	NAME	LENGTH	HEIGHT	NOS
A (BUNDIYA)	W	0.61	1.20	04
A (BUNDIYA)	W	0.91	1.20	04
A (BUNDIYA)	W	1.22	1.20	12
A (BUNDIYA)	W	1.92	1.20	02



LTP NAME AND SIGNATURE	STRUCTURAL ENG'S NAME AND SIGNATURE	BUILDER NAME AND SIGNATURE	DIGITAL SIGNATURE
RAM PRATAP SINGH MADA/ARC/0024/2019			

