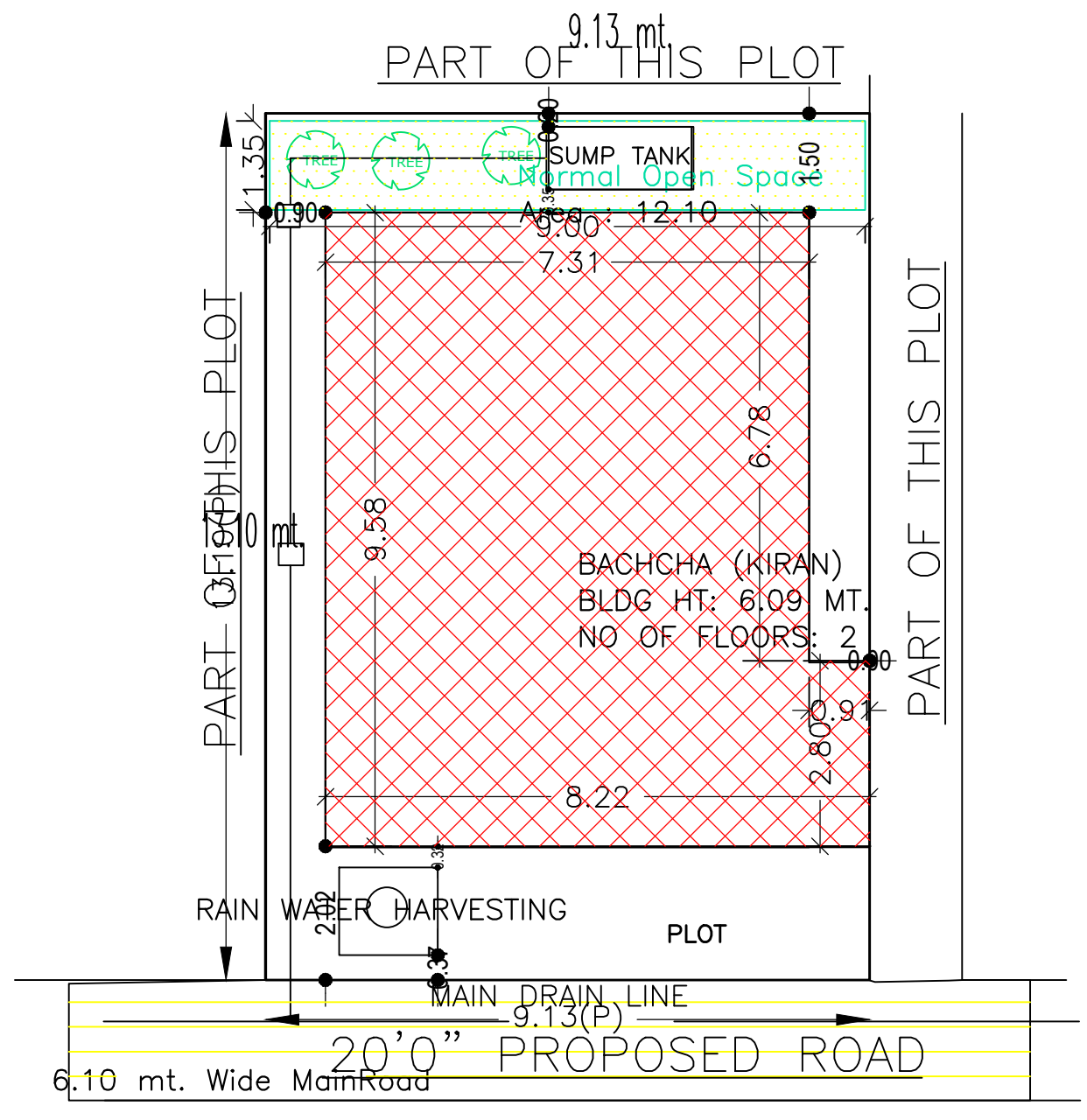
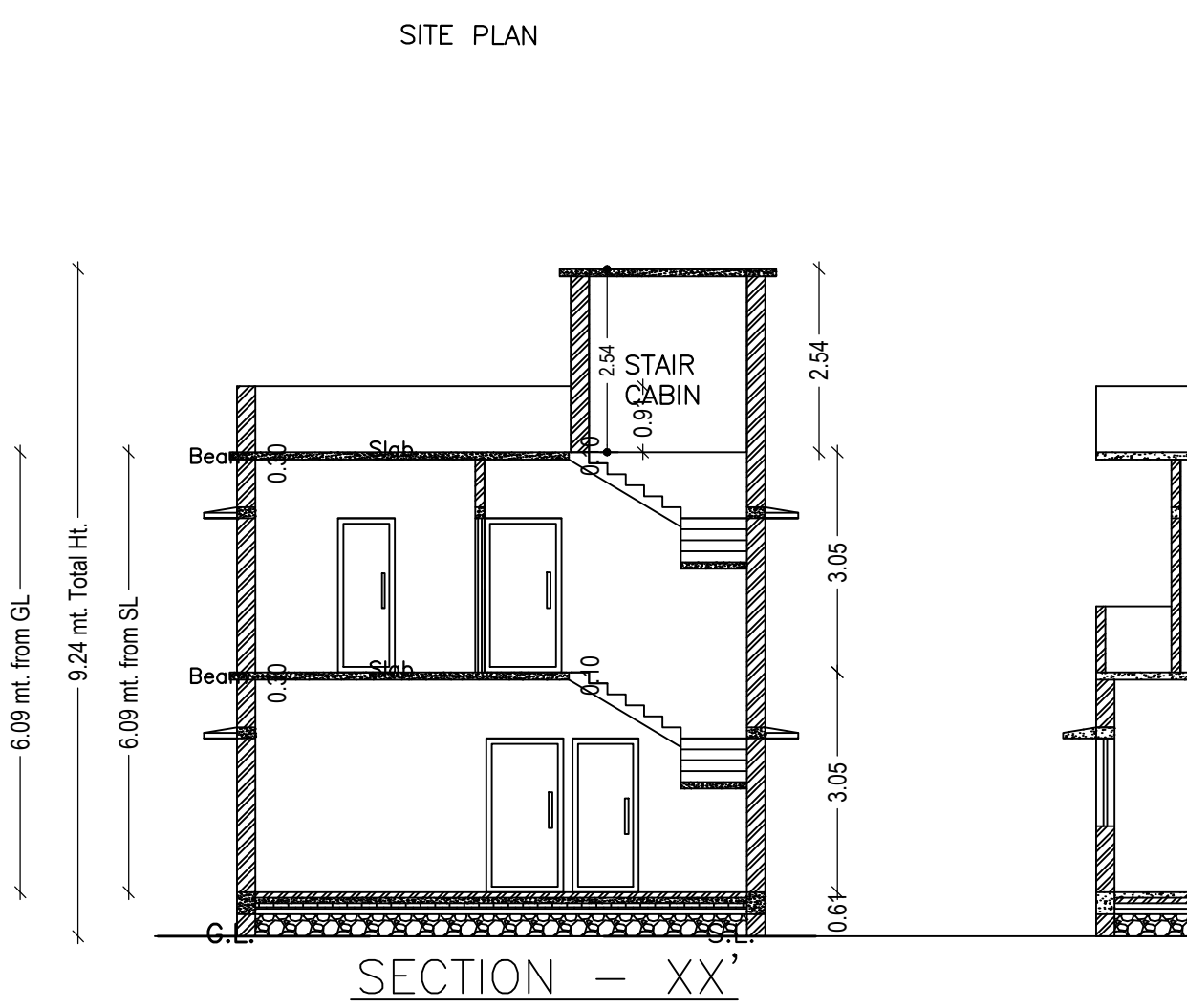


Proposal Basic Information	
Proposal File No.	MADA/BP/0129/2022
Owner Name	1. SRI. BACHCHA SINGH AND 2. SMT. KIRAN SINGH
Khata No	OLD KHATA NO. 69, NEW KHATA NO. 134
Plot No	OLD PLOT NO. 496, NEW PLOT NO. 1444
Village Name	Jialgora
Use	Residential
SubUse	Bungalow/ Dwelling / Non Apartment

AREA STATEMENT MINERAL AREA DEVELOPMENT AUTHORITY		VERSION NO.: 1.0.62
PROJECT DETAIL:		VERSION DATE: 16/10/2020
Region: JHARKHAND URBAN LOCAL BODIES	Plot Use: Residential	
District: DHANBAD	Plot SubUse: Bungalow/ Dwelling / Non Apartment	
Authority: MINERAL AREA DEVELOPMENT AUTHORITY	PlotNearby/ReligiousStructure: NA	
Inward No: MADA/BP/0129/2022	Plot/SubPlot No: OLD PLOT NO. 496, NEW PLOT NO. 1444	
Application Type: General Proposal	North: Plot No. - SAME PLOT	
Project Type: Building Permission	South: Plot No. - SAME PLOT	
Nature of Development: New	East: Road Width - 6.10	
Location of Development Area: Old Area	West: Plot No. - SAME PLOT	
AREA DETAILS:		
AREA OF PLOT (Minimum)	(A)	SQ. MT. 119.61
NET AREA OF PLOT (Gross Plot Area - Deduction from Gross Plot area)	(A-Deductions)	119.61
Deduction for Balance Plot Area (from Gross Plot Area)		
Common Plot		12.10
BALANCE AREA OF PLOT (Net Plot Area - Recreational/Amenity space)	(A-Deductions)	107.50
PLOT AREA FOR COVERAGE (Net Plot Area)	(A-Deductions)	119.61
Plot Area for FAR (Net Plot Area + Road Widening Area)	(A-Deductions)	119.61
COVERAGE CHECK		
Permissible Coverage area (70.00 %)		83.73
Proposed Coverage Area (60.70 %)		72.60
Total Prop. Coverage Area (60.7 %)		72.60
Balance coverage area (9.31 %)		11.13
FAR CHECK		
Perm. FAR Area (2.50)		299.02
Total Perm. FAR area		299.02
Residential FAR		145.21
Proposed FAR Area		145.21
Total Proposed FAR Area		145.21
Consumed FAR (Factor)		1.21
Balance FAR Area		153.81
BUILT UP AREA CHECK		
Total Proposed BuiltUp Area		145.20
ARCHITECT (Regd) RAM PRATAP SINGH		
ENGINEER (Regd)		
SUPERVISOR (Regd)		
OWNER (Regd) 1. SRI. BACHCHA SINGH AND 2. SMT. KIRAN SINGH		
DEVELOPMENT AUTHORITY LOCAL BODY		

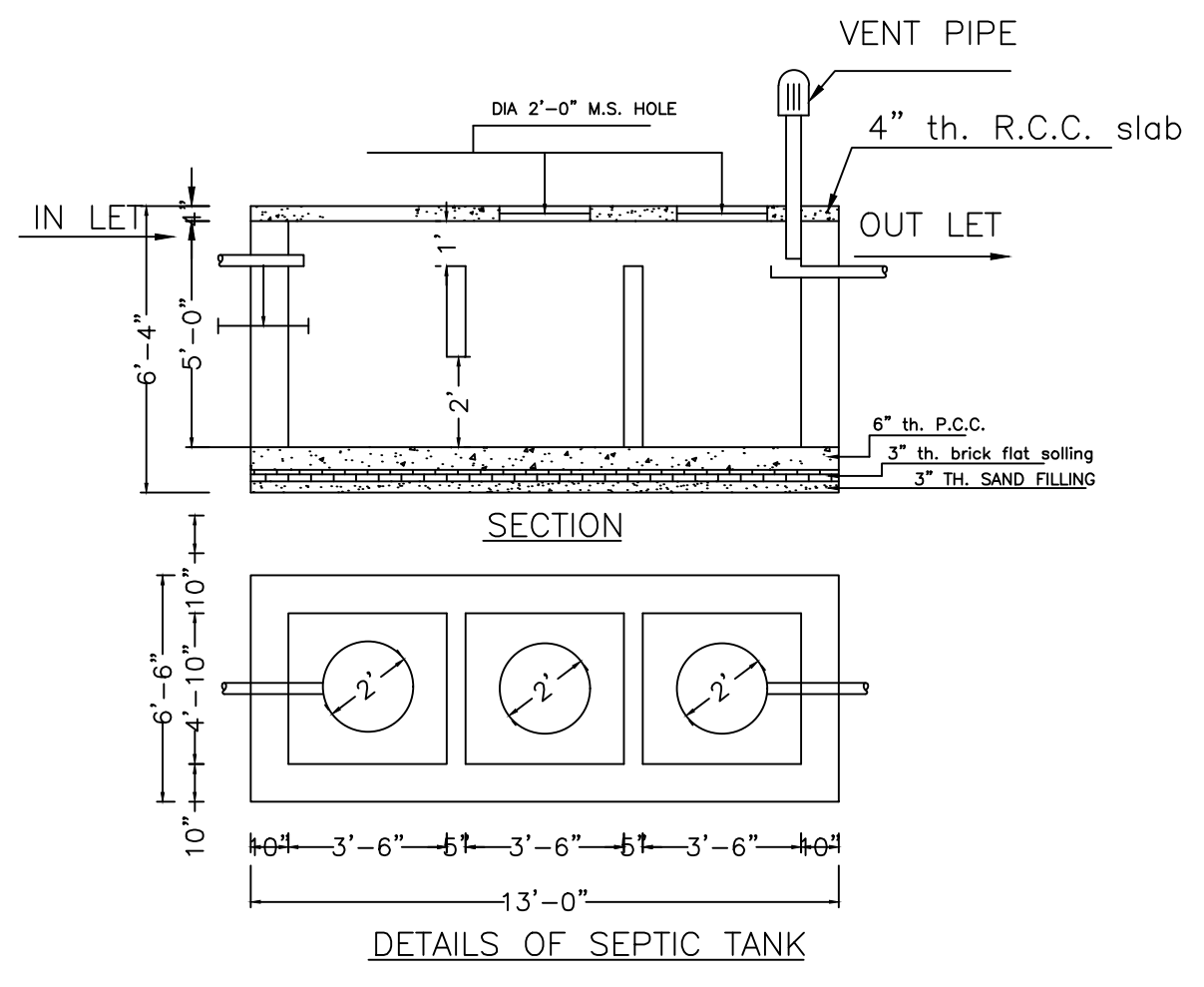


SITE PLAN

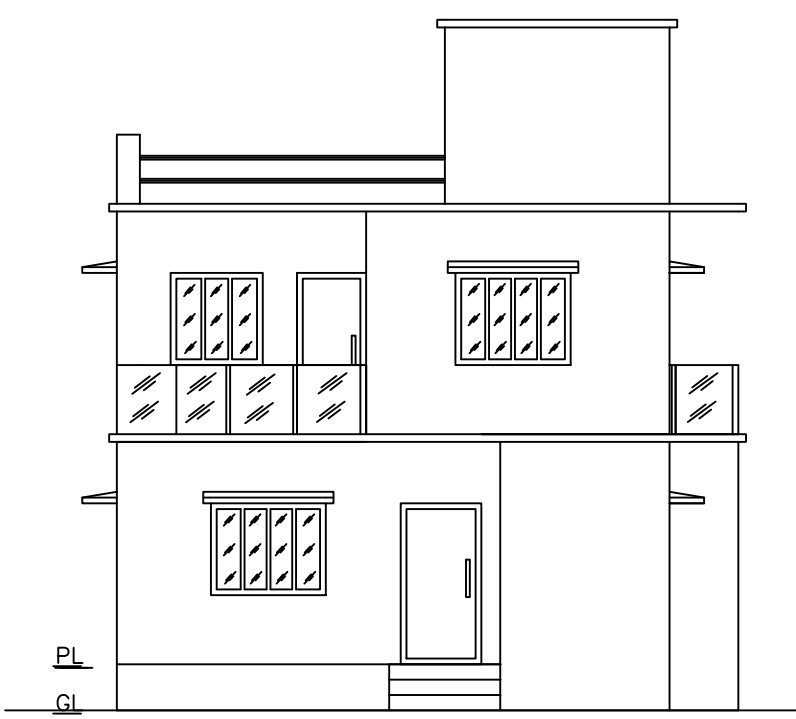


SECTION - XX'

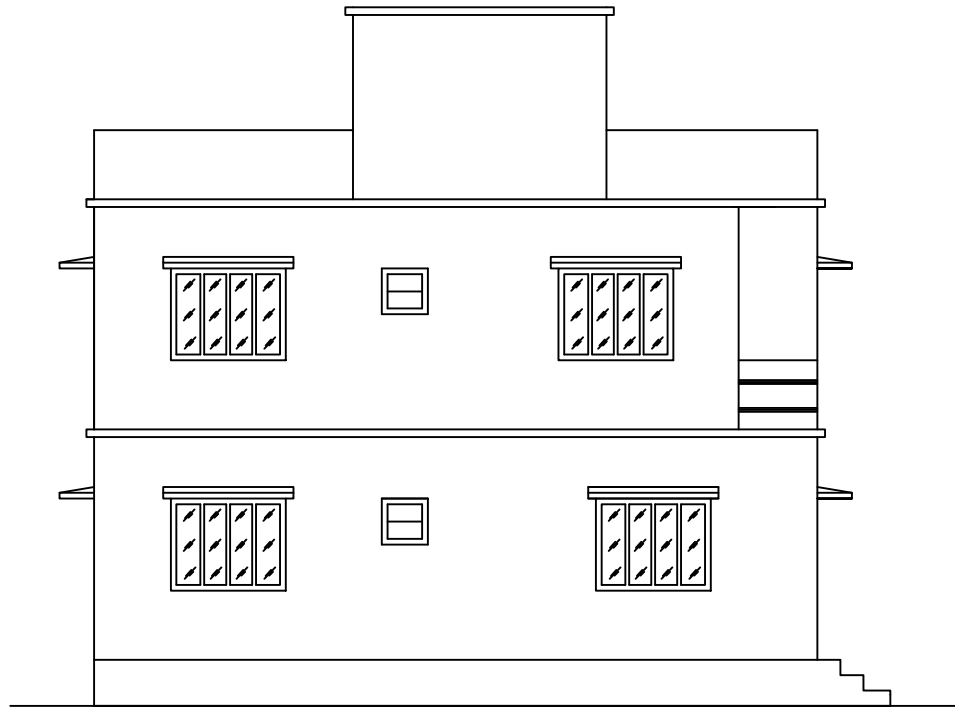
SECTION - YY'



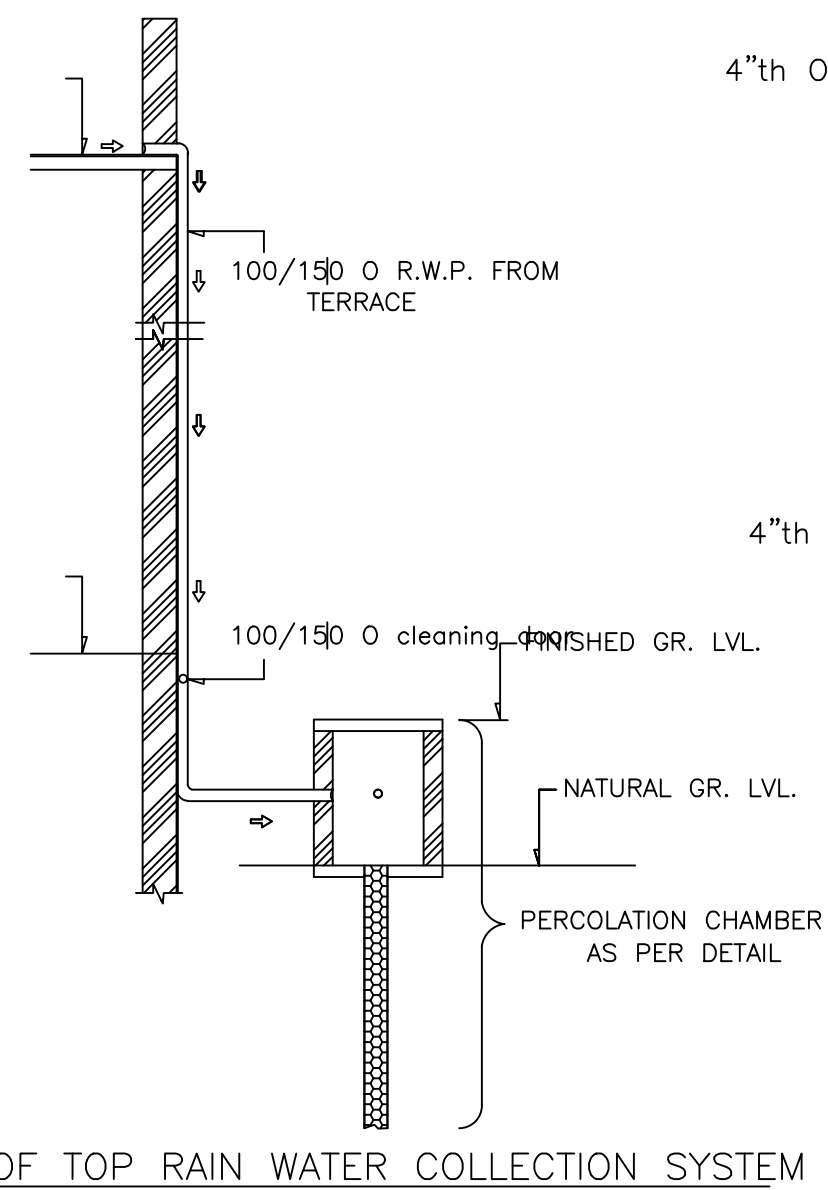
DETAILS OF SEPTIC TANK



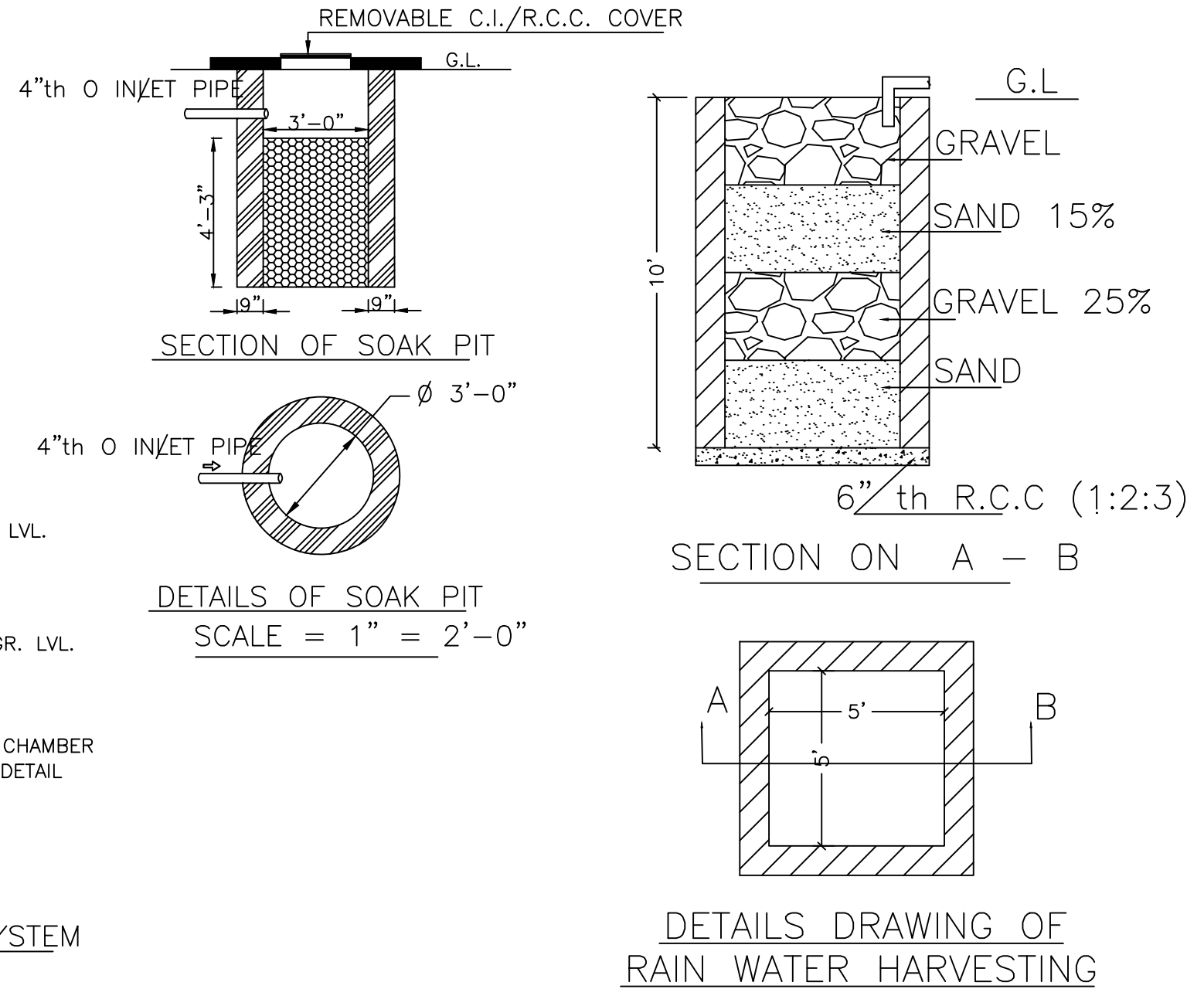
FRONT ELEVATION



LEFT SIDE ELEVATION



ROOF TOP RAIN WATER COLLECTION SYSTEM



DETAILS DRAWING OF RAIN WATER HARVESTING

SCHEDULE OF DOOR:

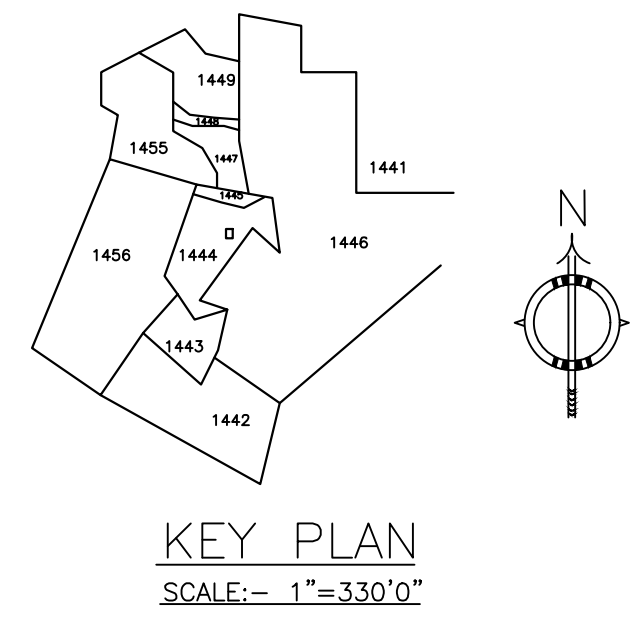
BUILDING NAME	NAME	LENGTH	HEIGHT	NOS
BACHCHA (KIRAN)	D	0.76	2.10	04
BACHCHA (KIRAN)	D	0.91	2.10	03
BACHCHA (KIRAN)	D	0.94	2.10	01
BACHCHA (KIRAN)	D	1.07	2.10	03
BACHCHA (KIRAN)	D	1.32	2.10	01

SCHEDULE OF WINDOW/VENTILATION:

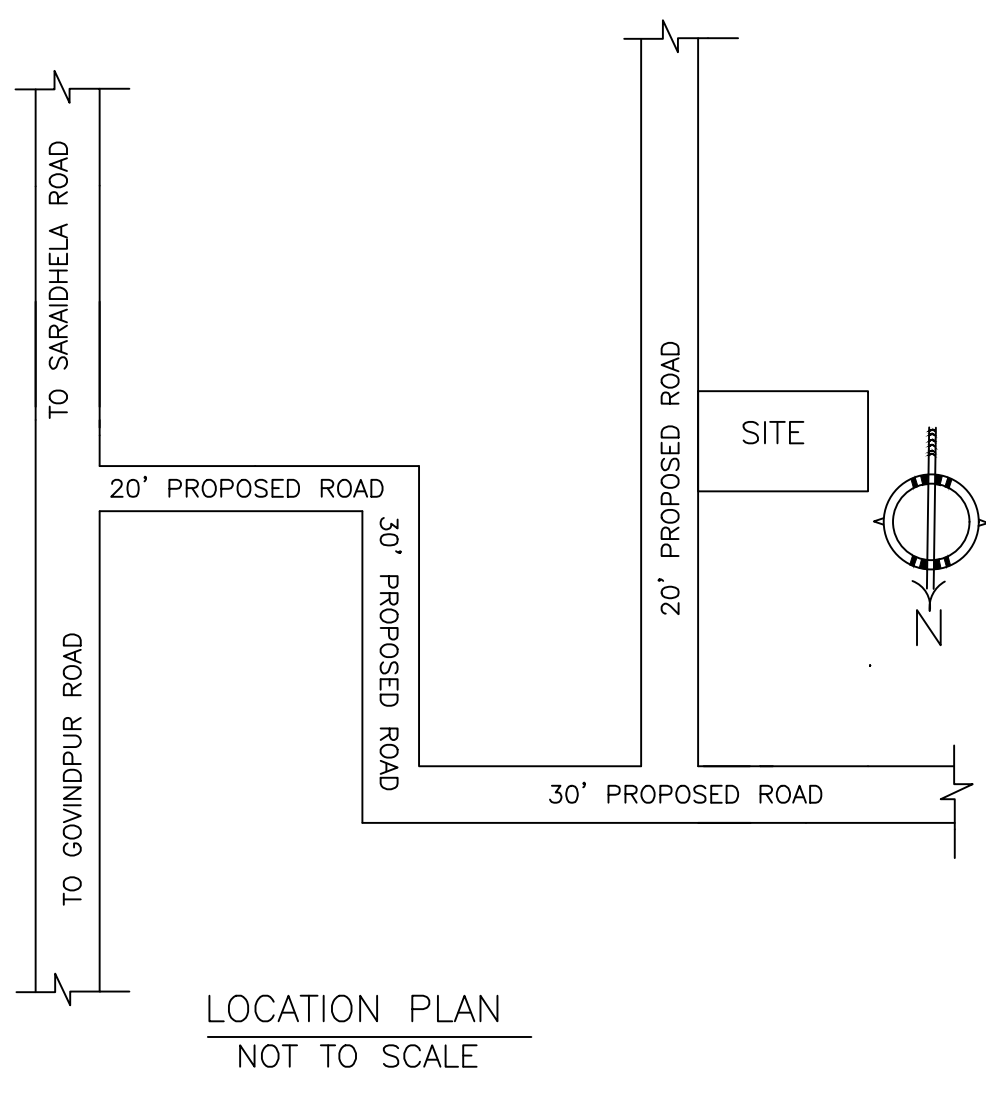
BUILDING NAME	NAME	LENGTH	HEIGHT	NOS
BACHCHA (KIRAN)	W	0.61	1.20	03
BACHCHA (KIRAN)	W	0.91	1.20	04
BACHCHA (KIRAN)	W	1.22	1.20	03
BACHCHA (KIRAN)	W	1.52	1.20	07
BACHCHA (KIRAN)	W	1.54	1.20	01

Building :BACHCHA (KIRAN)

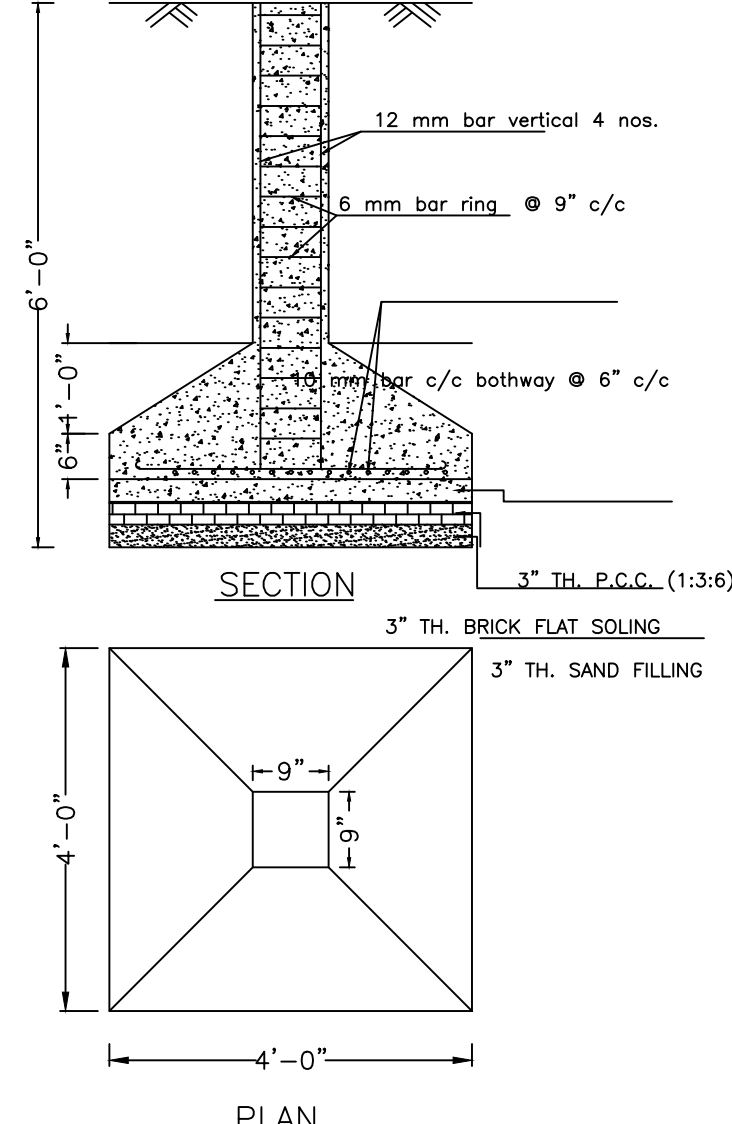
Floor Name	Total Built Up Area (Sq.mt.)	Proposed FAR Area (Sq.mt.) Resi.	Total FAR Area (Sq.mt.)	Total Consumed Additional FAR Area (Sq.mt.)	Trmt (No.)
Ground Floor	72.60	72.60	72.60	72.60	01
First Floor	72.60	72.60	72.60	72.60	00
Terrace Floor	0.00	0.00	0.00	0.00	00
Total :	145.20	145.20	145.20	145.20	01
Total Number of Same Buildings :	1				
Total :	145.20	145.20	145.20	145.20	01



KEY PLAN SCALE:- 1"=330'0"



LOCATION PLAN NOT TO SCALE



DETAILS OF COLUMN FOUNDATION

COLOR INDEX	
PLOT BOUNDARY	Black
ABUTTING ROAD	Green
PROPOSED CONSTRUCTION	Red
COMMON PLOT	Yellow
ROAD WIDENING AREA	Blue
EXISTING (To be retained)	Light Blue
EXISTING (To be demolished)	White

Buildingwise Floor FAR Details

Floor Name	BACHCHA (KIRAN)		Total	
	Proposed Built Up Area (Sq.mt.)	Proposed FAR Area (Sq.mt.)	Total Proposed Built Up Area (Sq.mt.)	Total FAR Area (Sq.mt.)
Ground Floor	72.60	72.60	72.60	72.60
First Floor	72.60	72.60	72.60	72.60
Terrace Floor	0.00	0.00	0.00	0.00
Total :	145.20	145.20	145.20	145.20

Building USE/SUBUSE Details

Building Name	Building Use	Building SubUse	Building Structure
BACHCHA (KIRAN)	Residential	Residential Bldg/Apartment	Non-Highrise

FAR & Tenement Details (Table 4c-1)

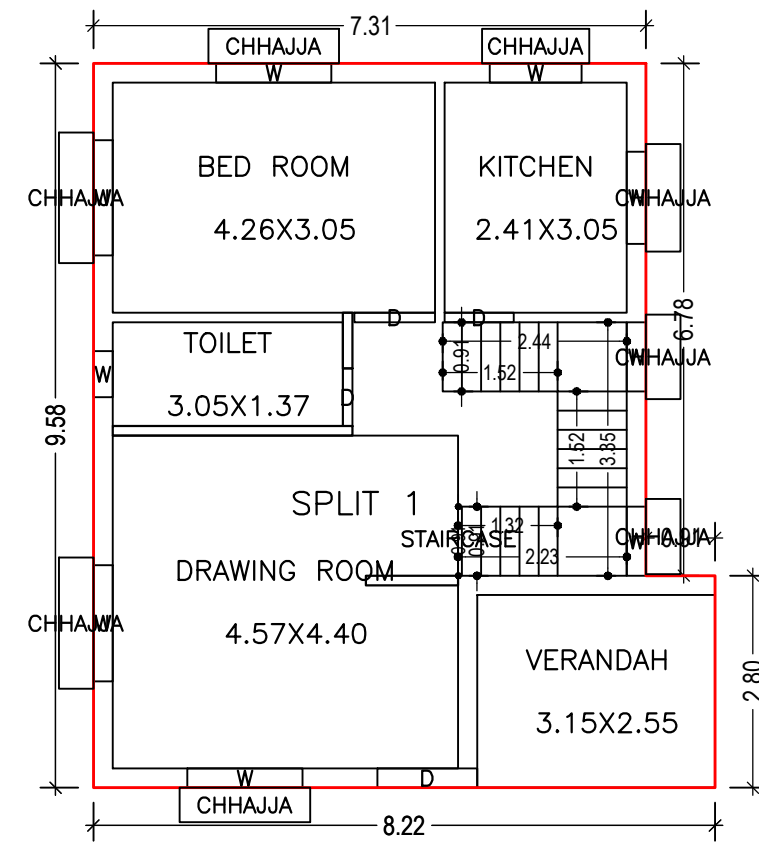
Building	No. of Same Bldg	Total Built Up Area (Sq.mt.)	Proposed FAR Area (Sq.mt.) Resi.	Total FAR Area (Sq.mt.)	Total Consumed Additional FAR Area (Sq.mt.)	Trmt (No.)
BACHCHA (KIRAN)	1	145.20	145.20	145.20	145.20	01
Grand Total :	1	145.20	145.20	145.20	145.20	01

UnitBUA Table for Building :BACHCHA (KIRAN)

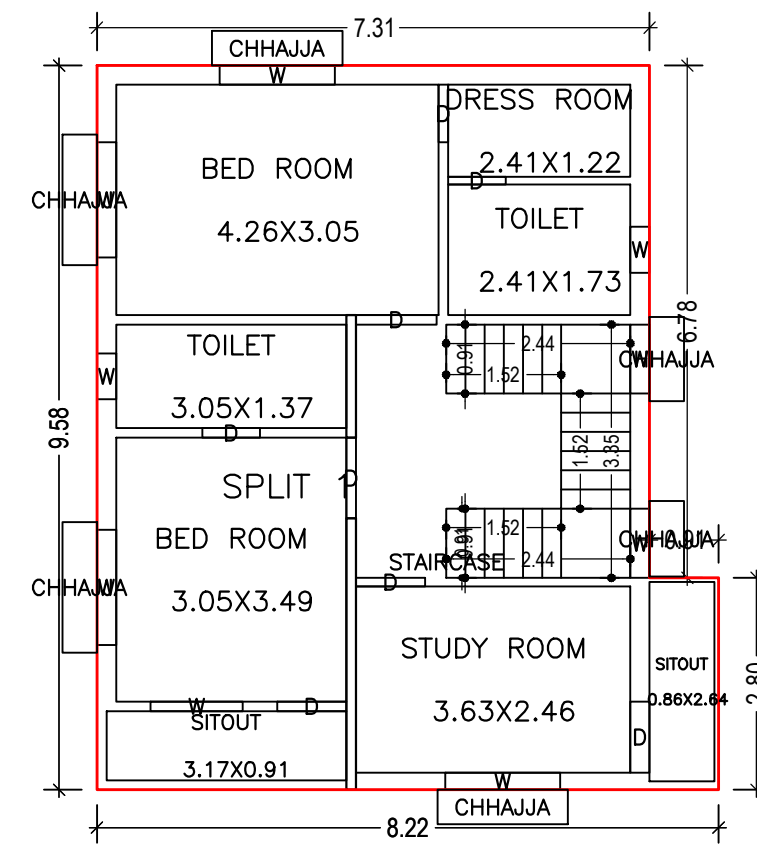
FLOOR	Name	UnitBUA Type	UnitBUA Area	Carpet Area	No. of Rooms	No. of Tenement
GROUND FLOOR PLAN	SPLIT 1	FLAT	145.21	143.90	5	1
FIRST FLOOR PLAN	SPLIT 1	FLAT	0.00	0.00	8	0
Total:	-	-	145.21	143.90	13	1

LTP NAME AND SIGNATURE	STRUCTURAL ENG'S NAME AND SIGNATURE	BUILDER NAME AND SIGNATURE	DIGITAL SIGNATURE
RAM PRATAP SINGH MADA/ARC/0024/2019			

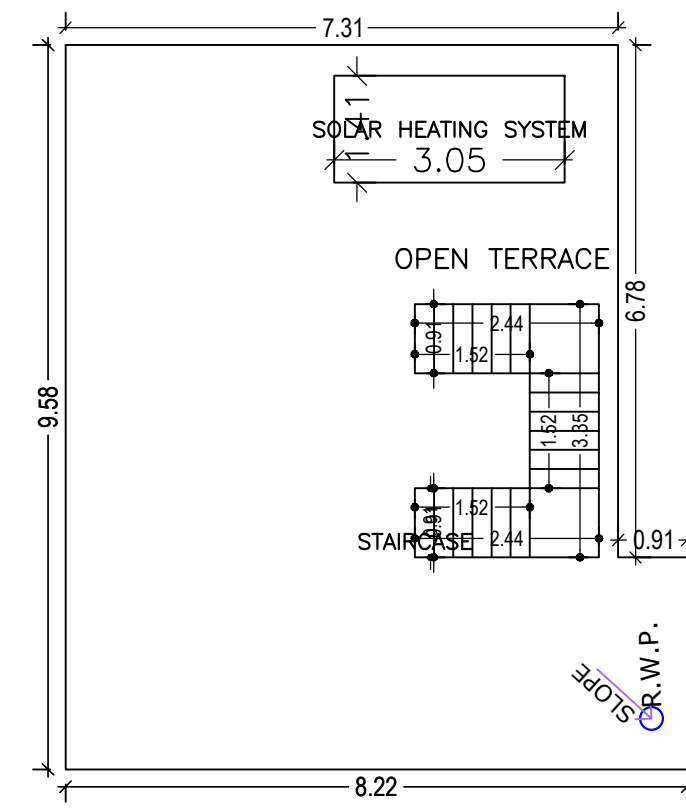
Proposal Basic Information	
Proposal File No.	MADA/BP/0129/2022
Owner Name	1. SRI. BACHCHA SINGH AND 2. SMT. KIRAN SINGH
Khata No	OLD KHATA NO. 69, NEW KHATA NO. 134
Plot No	OLD PLOT NO. 496, NEW PLOT NO. 1444
Village Name	Jialgora
Use	Residential
SubUse	Bungalow/ Dwelling / Non Apartment



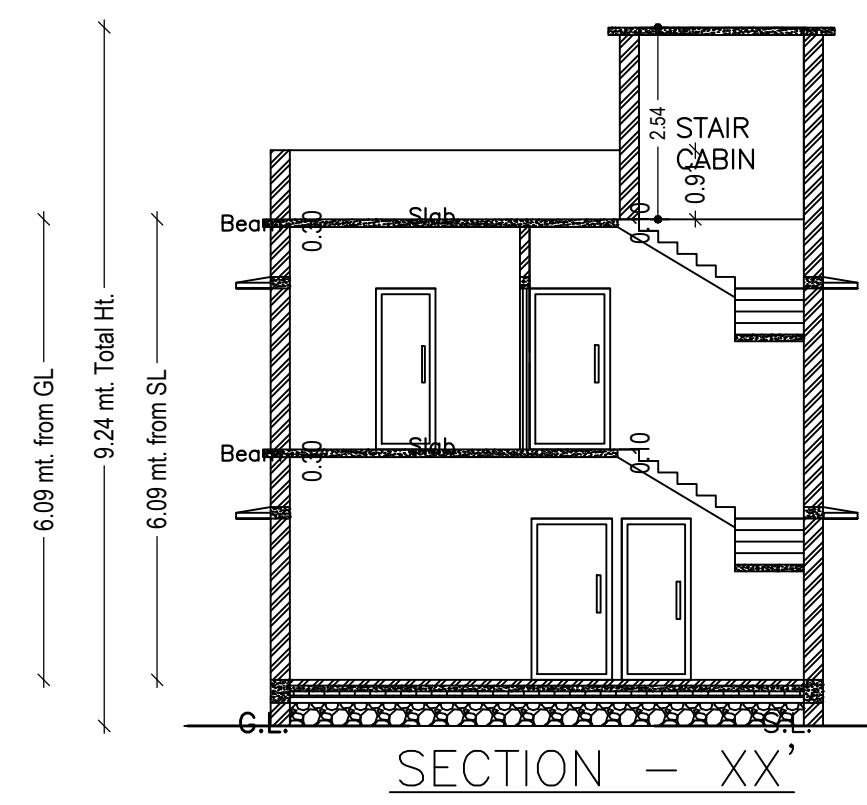
GROUND FLOOR PLAN
(Proposed)
(SCALE 1:100)



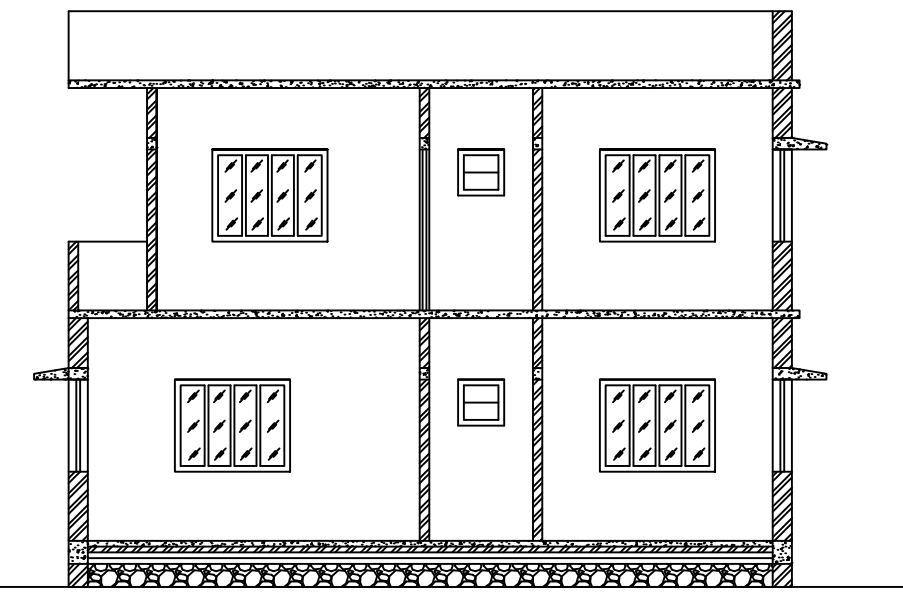
FIRST FLOOR PLAN
(Proposed)
(SCALE 1:100)



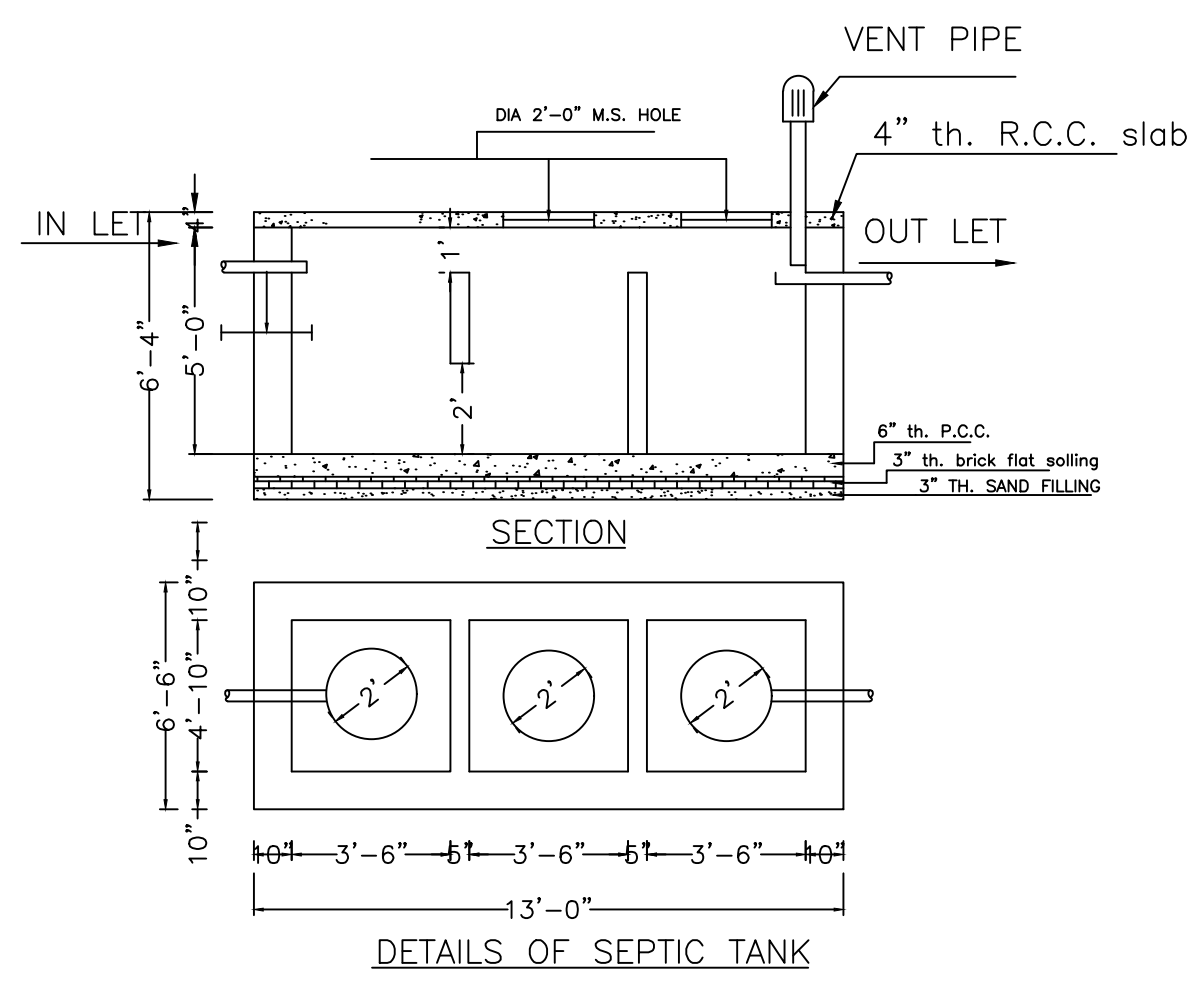
TERRACE FLOOR PLAN
(SCALE 1:100)



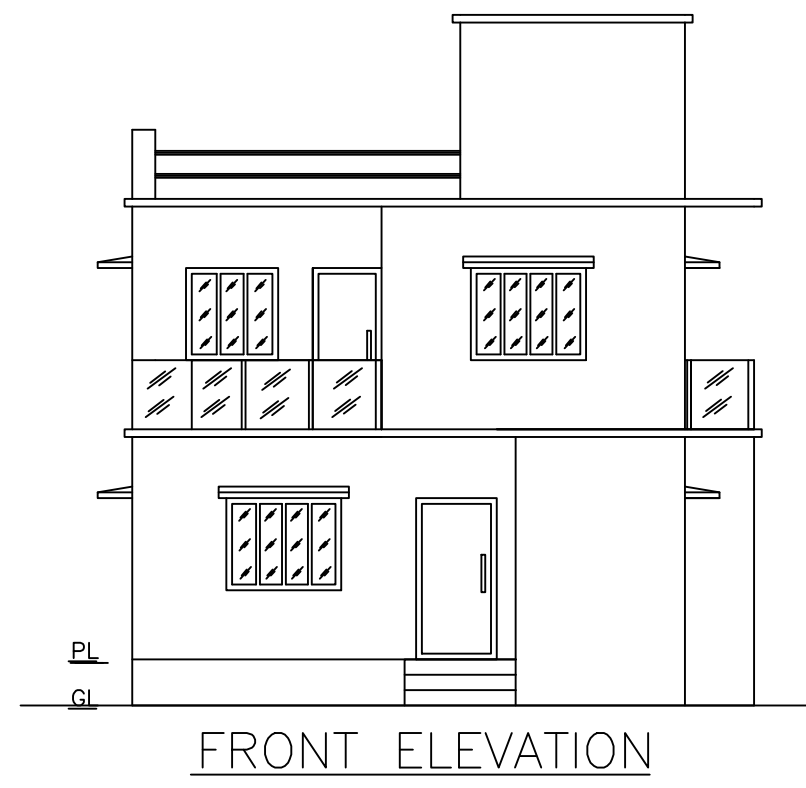
SECTION - XX'



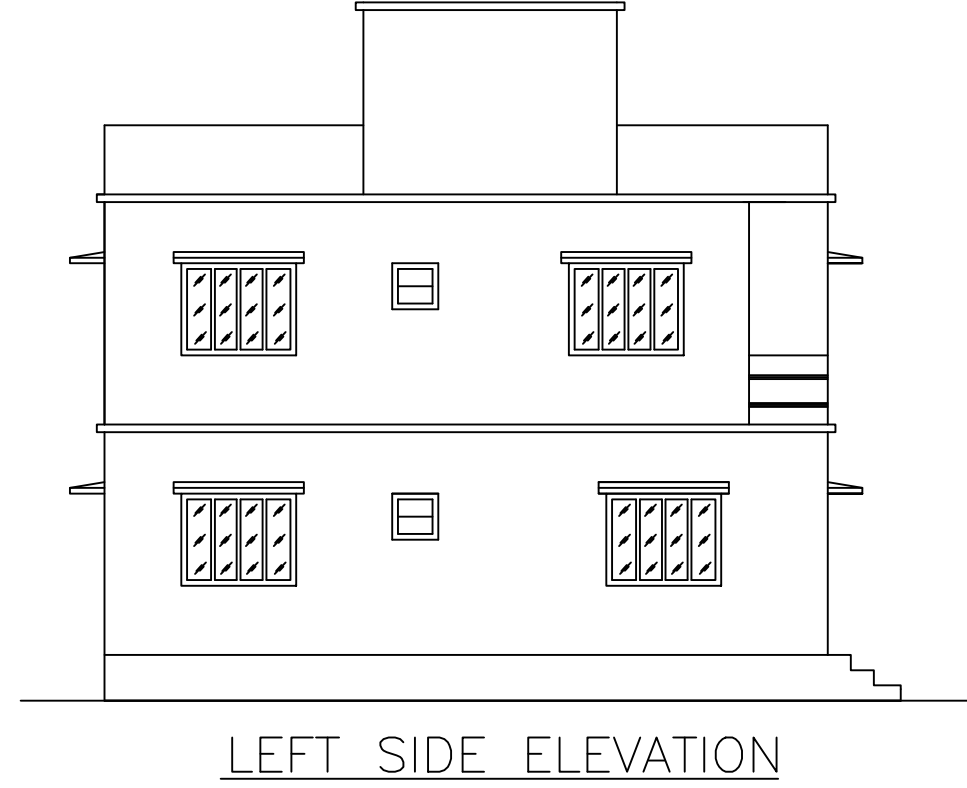
SECTION - YY'



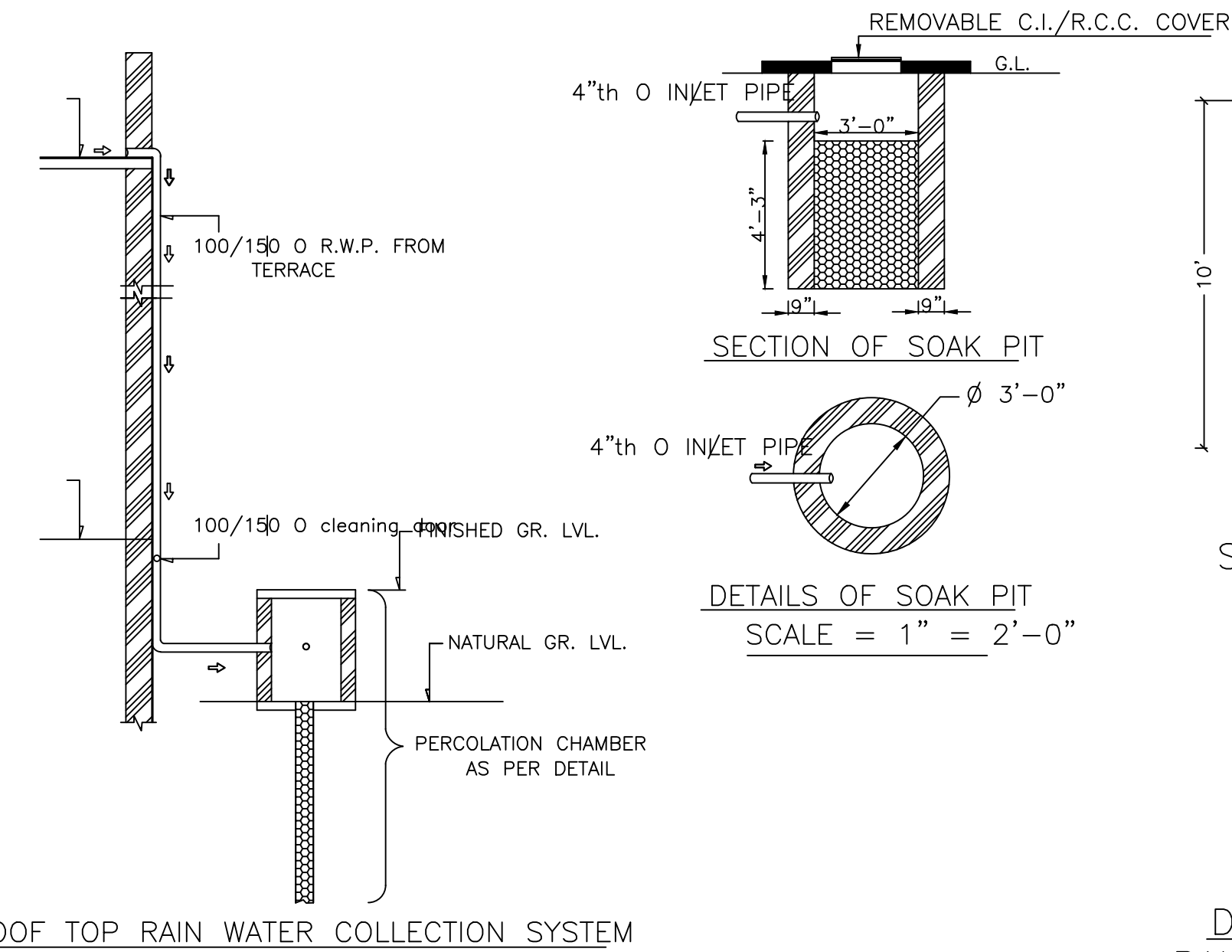
DETAILS OF SEPTIC TANK



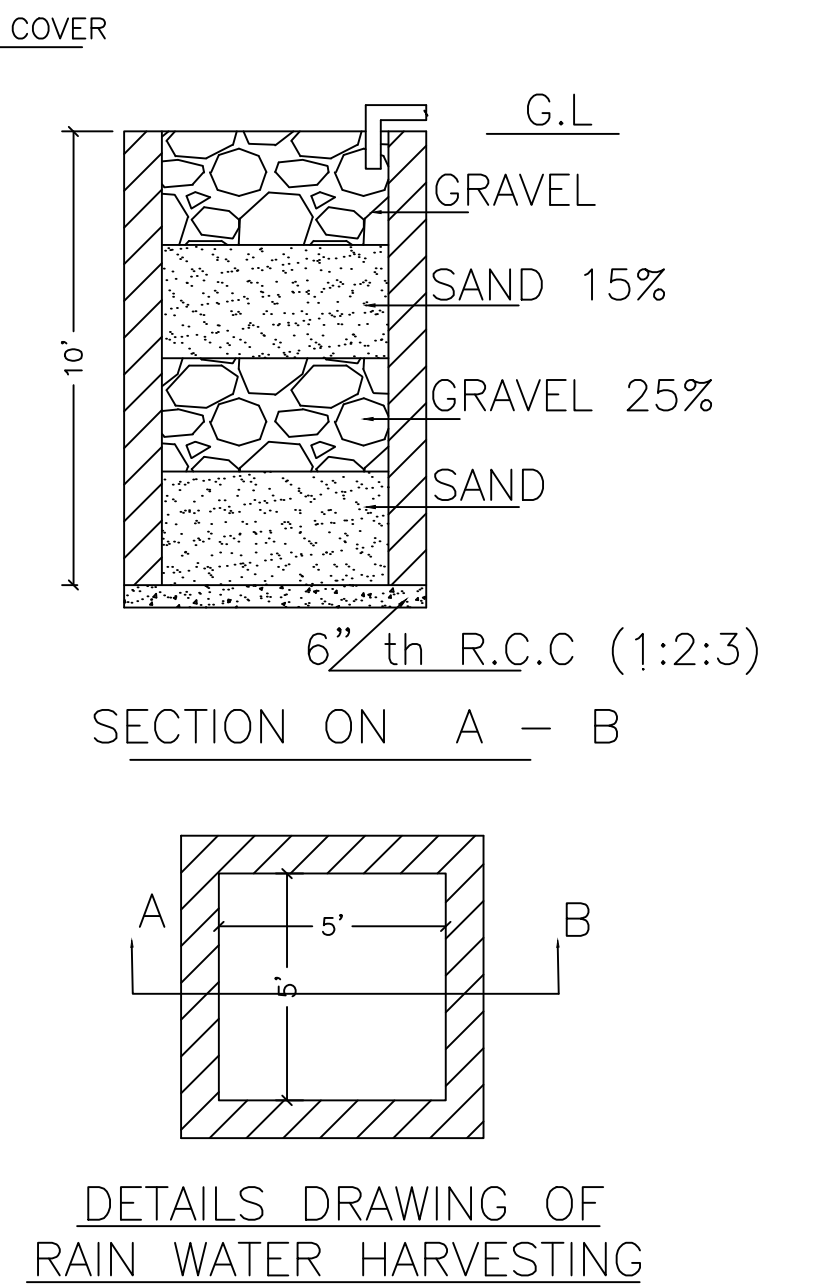
FRONT ELEVATION



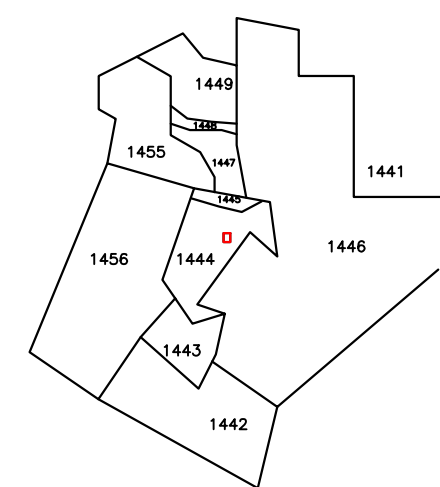
LEFT SIDE ELEVATION



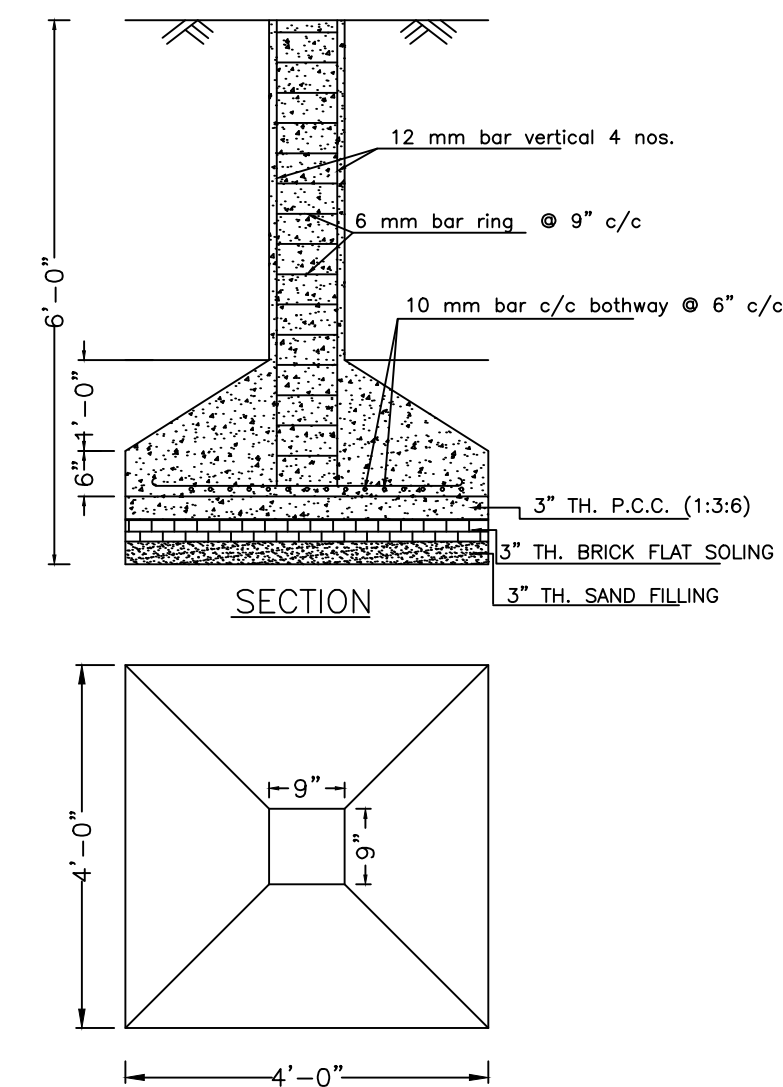
ROOF TOP RAIN WATER COLLECTION SYSTEM



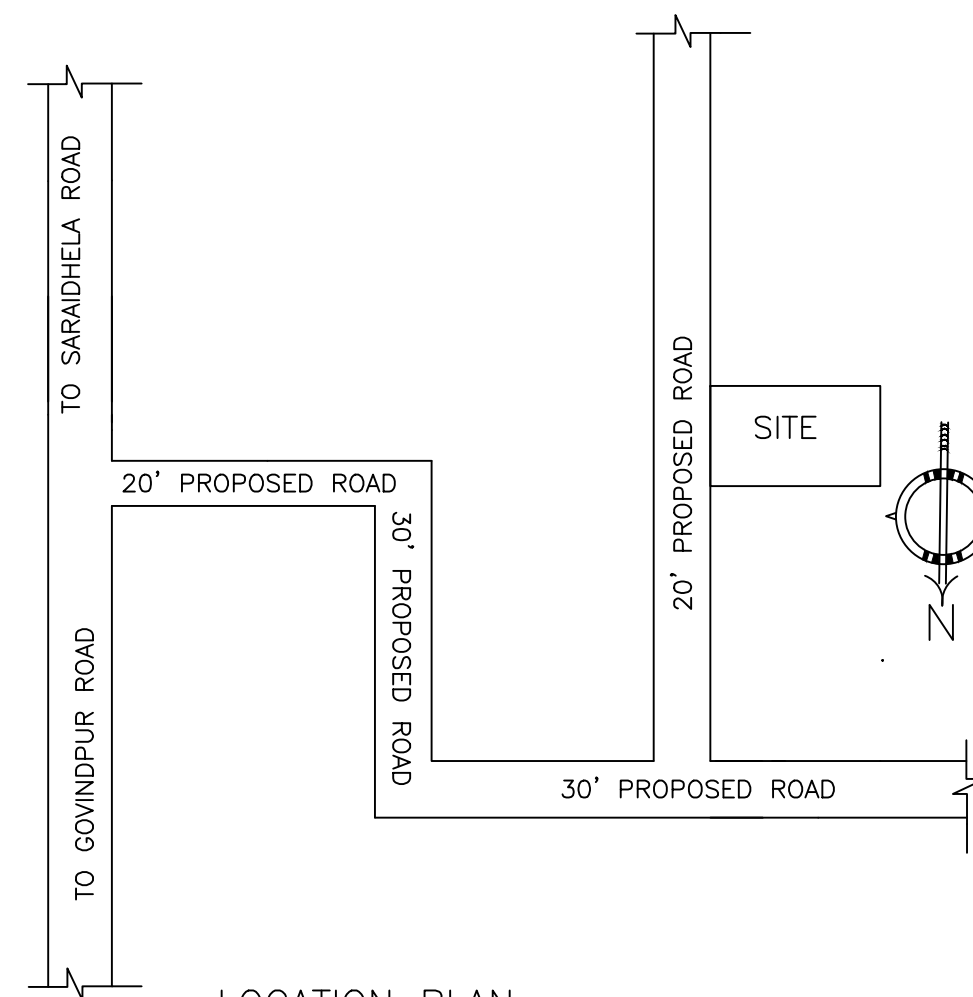
DETAILS DRAWING OF RAIN WATER HARVESTING



KEY PLAN
SCALE:- 1"=330'0"



DETAILS OF COLUMN FOUNDATION



LOCATION PLAN
NOT TO SCALE

LTP NAME AND SIGNATURE	STRUCTURAL ENG'S NAME AND SIGNATURE	BUILDER NAME AND SIGNATURE	DIGITAL SIGNATURE
RAM PRATAP SINGH MADA/ARC/0024/2019			