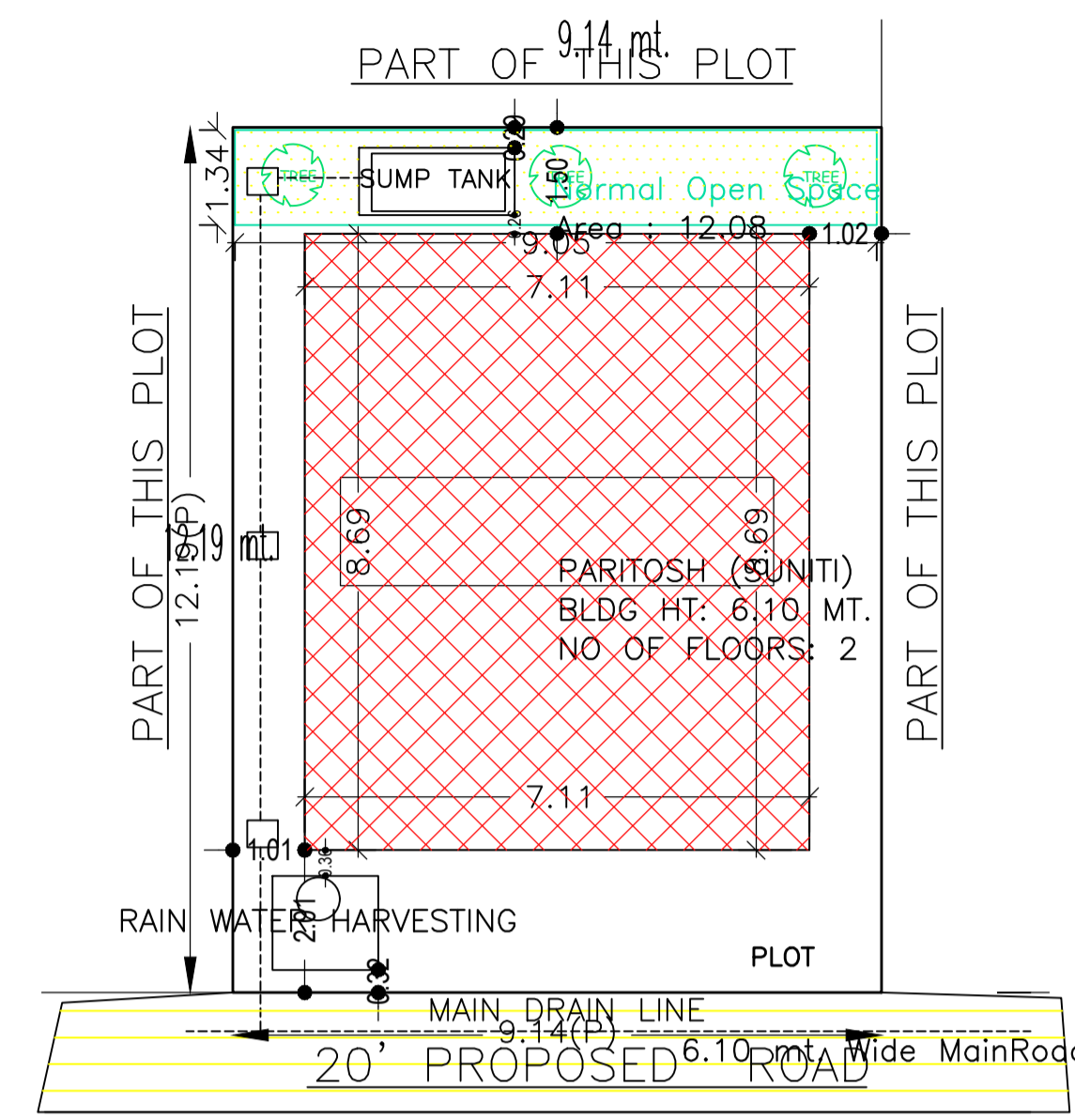


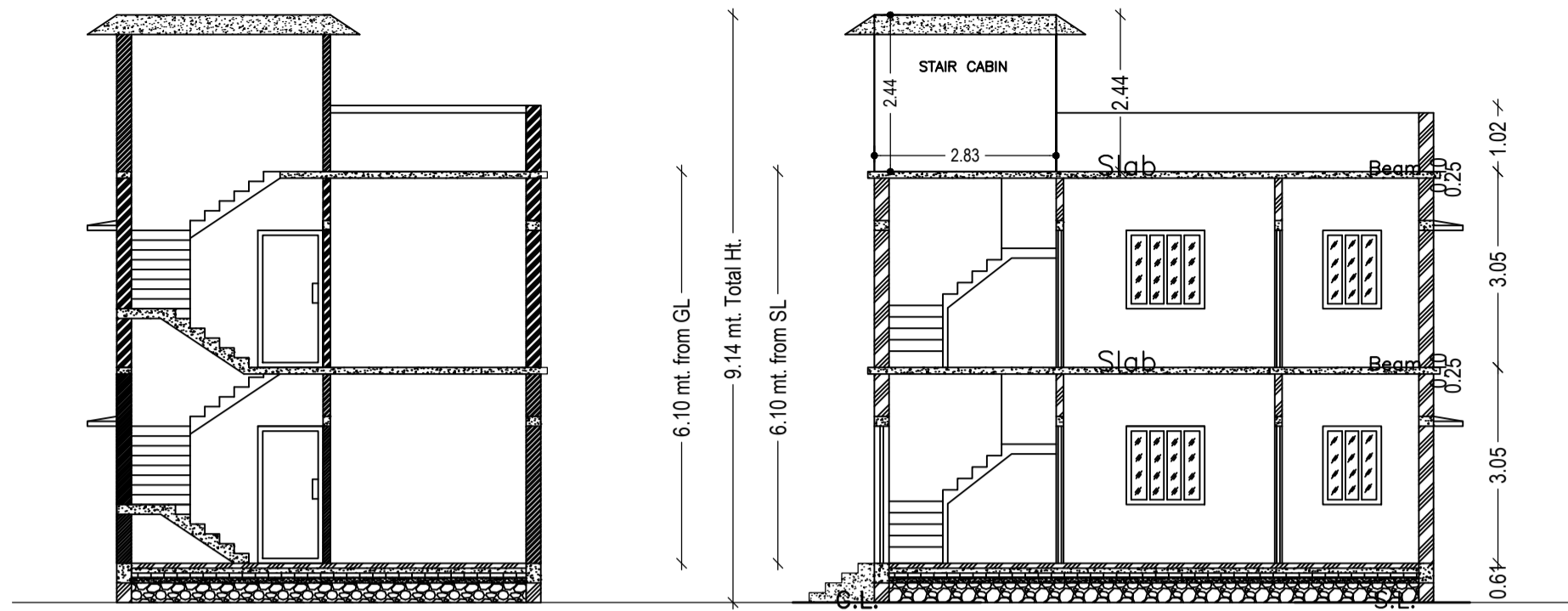
Proposal Basic Information

Proposal File No.	MADA/BP/0375/2022
Owner Name	1. SRI. PARITOSH SHAKHA AND 2. SMT. SUNITI DEVI
Khata No	OLD KHATA NO- 25, NEW KHATA NO-35
Plot No	OLD PLOT NO- 2537, NEW PLOT NO-3901
Village Name	Bara Pichri
Use	Residential
SubUse	Bungalow/ Dwelling / Non Apartment

AREA STATEMENT MINERAL AREA DEVELOPMENT AUTHORITY	REGIONAL DEVELOPMENT AUTHORITY	VERSION NO.: 1.0.65 VERSION DATE: 16/10/2020
PROJECT DETAILS:		
Region: JHARKHAND URBAN LOCAL BODIES	Plot Use: Residential	
District: DHANBAD	Plot SubUse: Bungalow/ Dwelling / Non Apartment	
Authority: MINERAL AREA DEVELOPMENT AUTHORITY	PlotNearby/ReligiousStructure: NA	
Inward No: MADA/BP/0375/2022	Plot/SubPlot No: OLD PLOT NO- 2537, NEW PLOT NO-3901	
Application Type: General Proposal	North: Plot No. - SAME PLOT	
Project Type: Building Permission	South: Plot No. - SAME PLOT	
Nature of Development: New	East: Plot No. - SAME PLOT	
Location of Development Area: Old Area	West: Road Width - 6.10	
AREA DETAILS:		
AREA OF PLOT (Minimum)	(A)	SQ.MT. 111.39
NET AREA OF PLOT (Gross Plot Area - Deduction from Gross Plot area)	(A-Deductions)	111.39
Deduction for Balance Plot Area (from Gross Plot Area)		
Common Plot		12.08
Total		12.08
BALANCE AREA OF PLOT (Net Plot Area - Recreational/Amenity space)	(A-Deductions)	99.30
PLOT AREA FOR COVERAGE (Net Plot Area)	(A-Deductions)	111.39
Plot Area for FAR (Net Plot Area + Road/Widening Area)	(A-Deductions)	111.39
COVERAGE CHECK		
Permissible Coverage area ( 70.00 % )		77.97
Proposed Coverage Area ( 55.45 % )		61.76
Total Prop. Coverage Area ( 55.45 % )		61.76
Balance coverage area ( 14.55 % )		16.21
FAR CHECK		
Perm. FAR Area ( 2.500 )		278.48
Total Perm. FAR area		278.48
Residential FAR		123.52
Proposed FAR Area		123.52
Total Proposed FAR Area		123.52
Consumed FAR (Factor)		1.11
Balance FAR Area		154.96
BUILT UP AREA CHECK		
Total Proposed BuiltUp Area		123.52
ARCHITECT (Regd)	RAM PRATAP SINGH	
ENGINEER (Regd)		
SUPERVISOR (Regd)		
OWNER (Regd)	1. SRI. PARITOSH SHAKHA AND 2. SMT. SUNITI DEVI	
DEVELOPMENT AUTHORITY	LOCAL BODY	

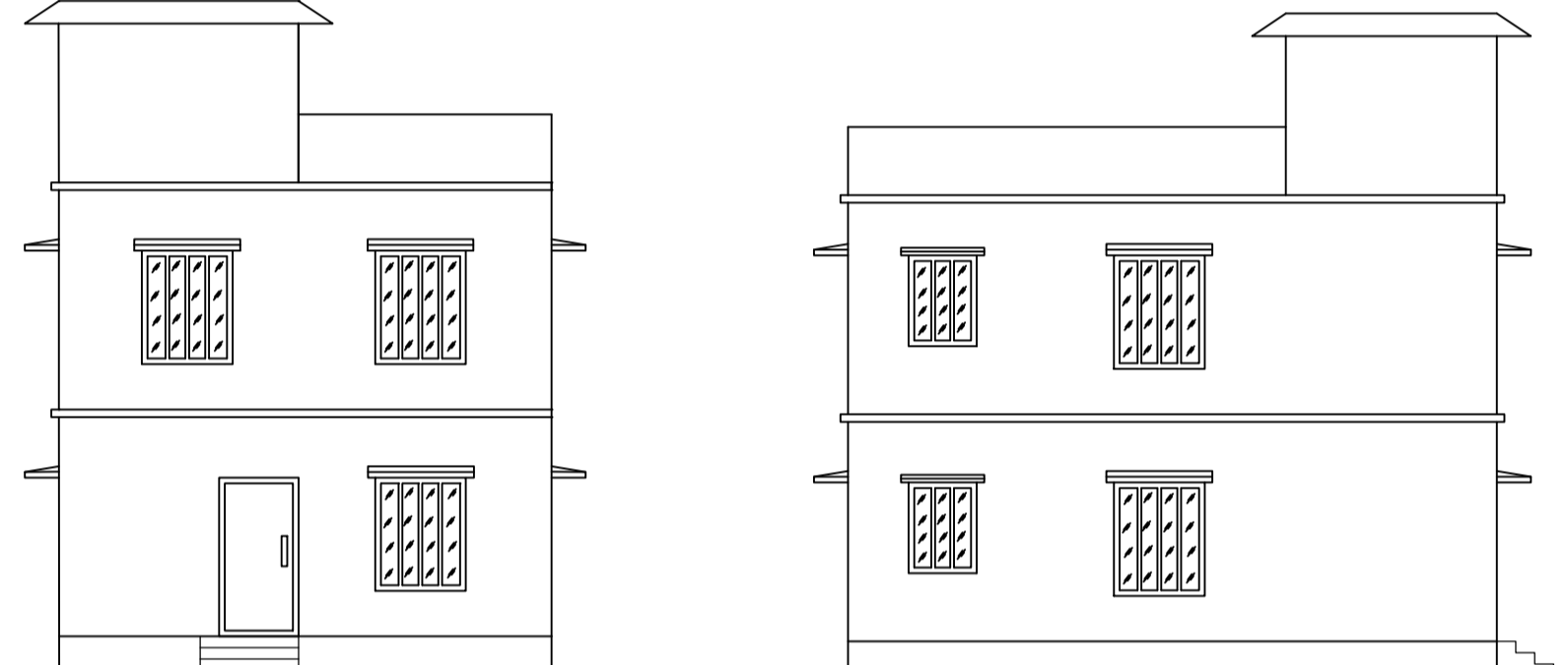


SITE PLAN



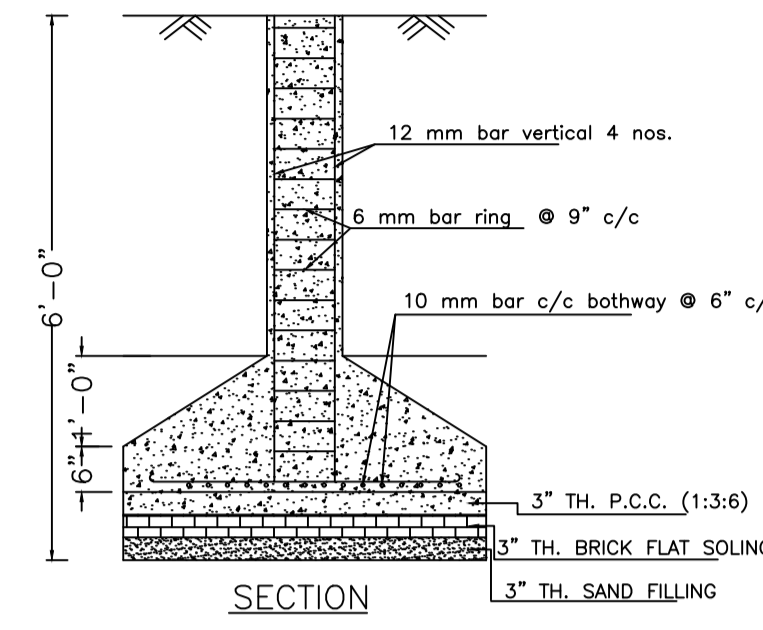
SECTION X-X

SECTION Y-Y

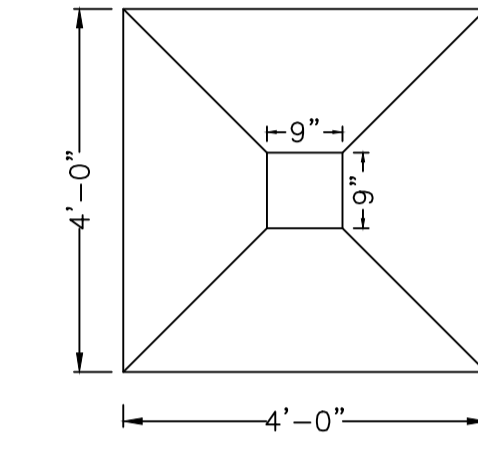


FRONT ELEVATION

LEFT SIDE ELEVATION

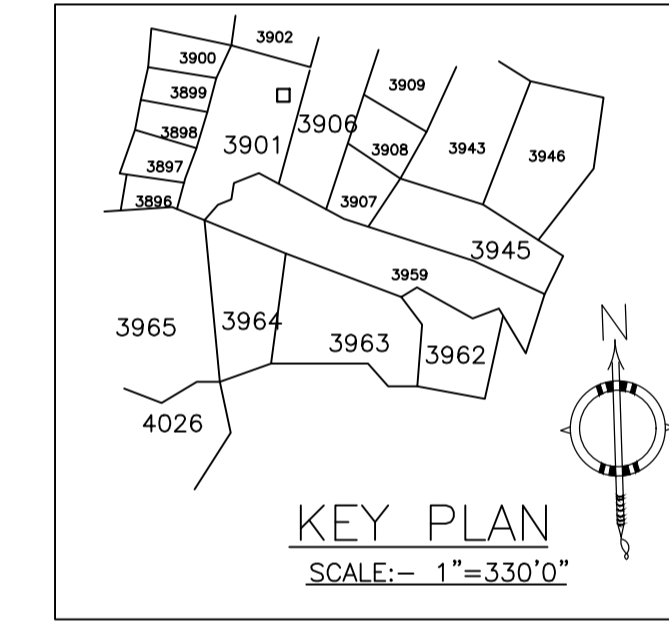


SECTION



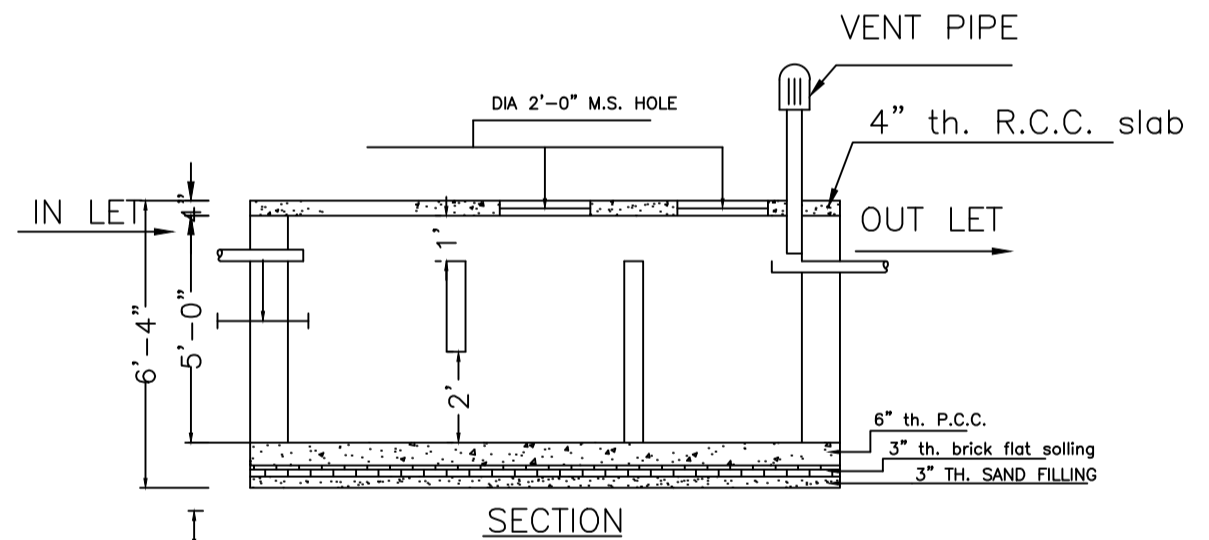
PLAN

DETAILS OF COLUMN FOUNDATION

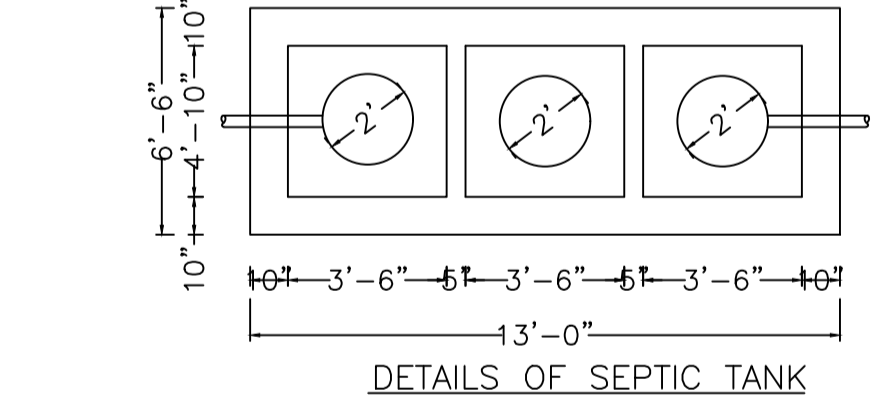


KEY PLAN

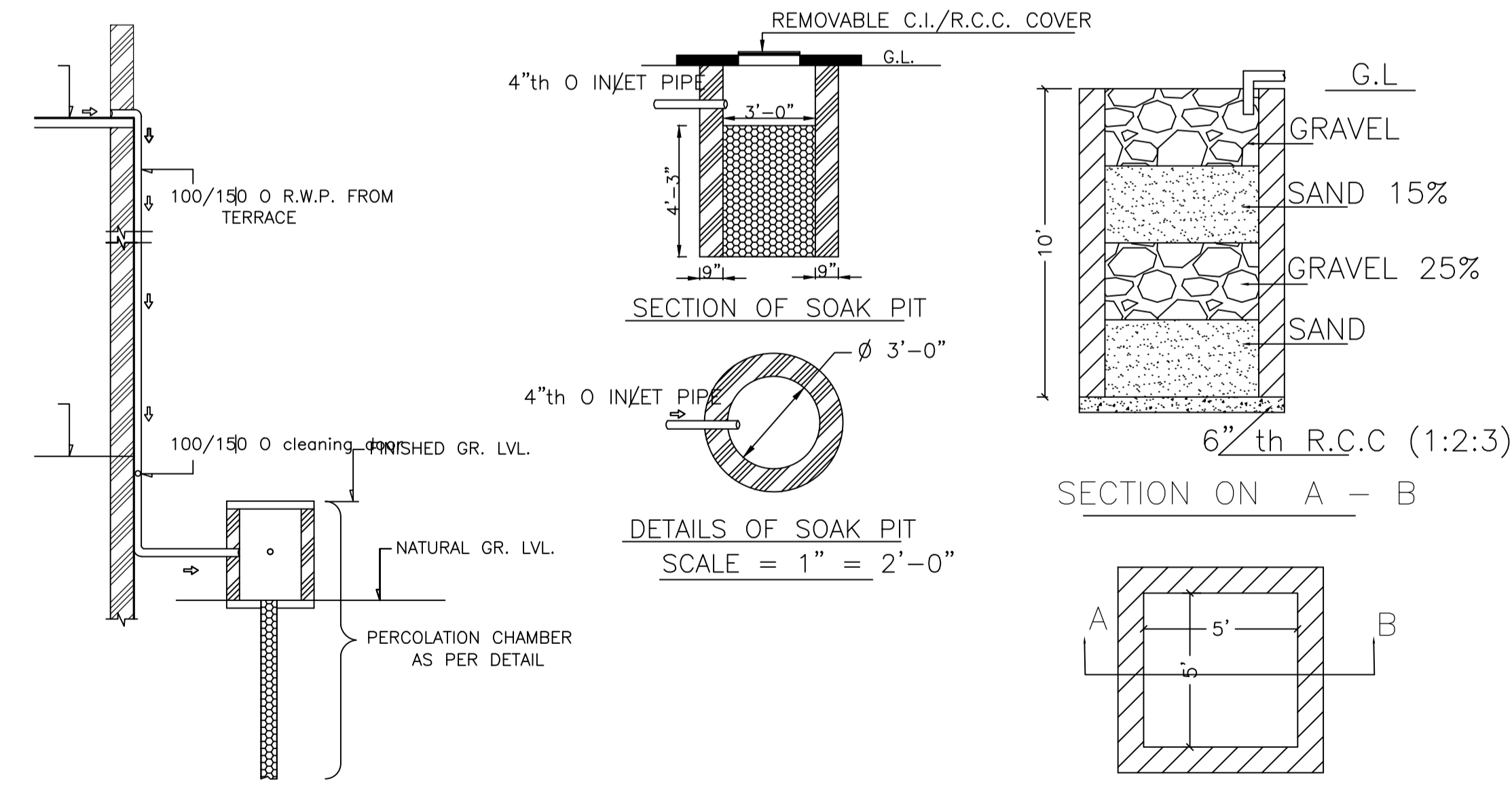
SCALE:- 1"=330'0"



SECTION



DETAILS OF SEPTIC TANK



SECTION OF SOAK PIT

DETAILS OF SOAK PIT

SECTION ON A - B

DETAILS DRAWING OF RAIN WATER HARVESTING

Building :PARITOSH (SUNITI)

Floor Name	Total Built Up Area (Sq.mt.)	Proposed FAR Area (Sq.mt.) Resi.	Total FAR Area (Sq.mt.)	Total Consumed Additional FAR Area (Sq.mt.)	Tnmt (No.)
Ground Floor	61.76	61.76	61.76	61.76	01
First Floor	61.76	61.76	61.76	61.76	00
Terrace Floor	0.00	0.00	0.00	0.00	00
Total :	123.52	123.52	123.52	123.52	01
Total Number of Same Buildings :	1				
Total :	123.52	123.52	123.52	123.52	01

SCHEDULE OF DOOR:

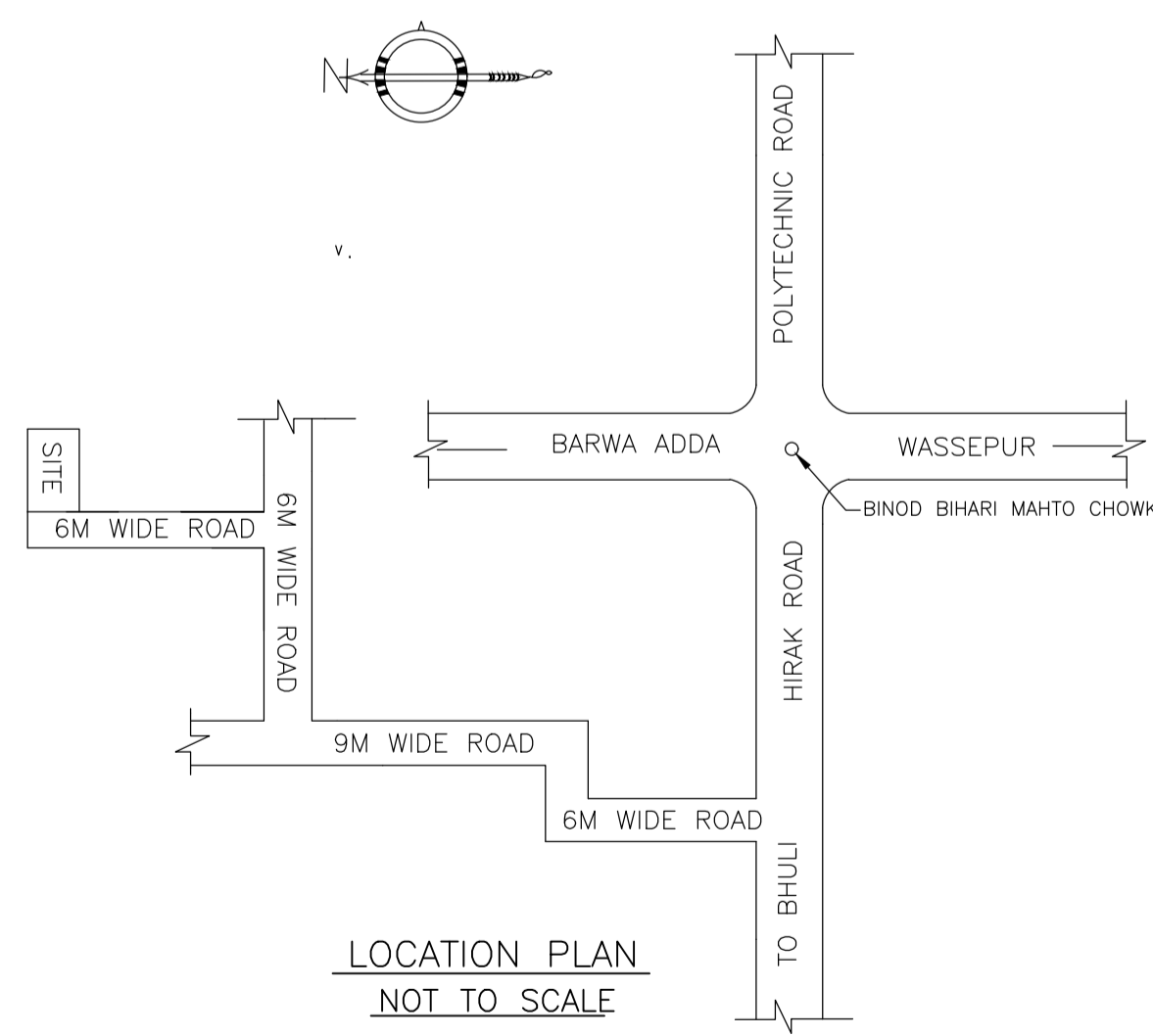
BUILDING NAME	NAME	LENGTH	HEIGHT	NOS
PARITOSH (SUNITI)	D	0.76	2.10	02
PARITOSH (SUNITI)	D	0.88	2.10	02
PARITOSH (SUNITI)	D	0.91	2.10	04
PARITOSH (SUNITI)	D	1.02	2.10	02

SCHEDULE OF WINDOW/VENTILATION:

BUILDING NAME	NAME	LENGTH	HEIGHT	NOS
PARITOSH (SUNITI)	V	0.61	1.20	02
PARITOSH (SUNITI)	W	0.91	1.20	04
PARITOSH (SUNITI)	W	1.22	1.20	10

UnitBUA Table for Building :PARITOSH (SUNITI)

FLOOR	Name	UnitBUA Type	UnitBUA Area	Carpet Area	No. of Rooms	No. of Tenement
GROUND FLOOR	SPLIT 1	FLAT	123.52	121.65	5	1
FIRST FLOOR	SPLIT 1	FLAT	0.00	0.00	5	0
PLAN						
Total:			123.52	121.65	10	1



LOCATION PLAN

NOT TO SCALE

COLOR INDEX	
PLOT BOUNDARY	[Red Line]
ABUTTING ROAD	[Green Line]
PROPOSED CONSTRUCTION	[Yellow Line]
COMMON PLOT	[Blue Line]
ROAD WIDENING AREA	[Orange Line]
EXISTING (To be retained)	[Grey Line]
EXISTING (To be demolished)	[Black Line]

Buildingwise Floor FAR Details

Floor Name	Building Name PARITOSH (SUNITI)		Total	
	Proposed Built Up Area (Sq.mt.)	Proposed FAR Area (Sq.mt.)	Total Proposed Built Up Area (Sq.mt.)	Total FAR Area (Sq.mt.)
Ground Floor	61.76	61.76	61.76	61.76
First Floor	61.76	61.76	61.76	61.76
Terrace Floor	0.00	0.00	0.00	0.00
Total :	123.52	123.52	123.52	123.52

Building USE/SUBUSE Details

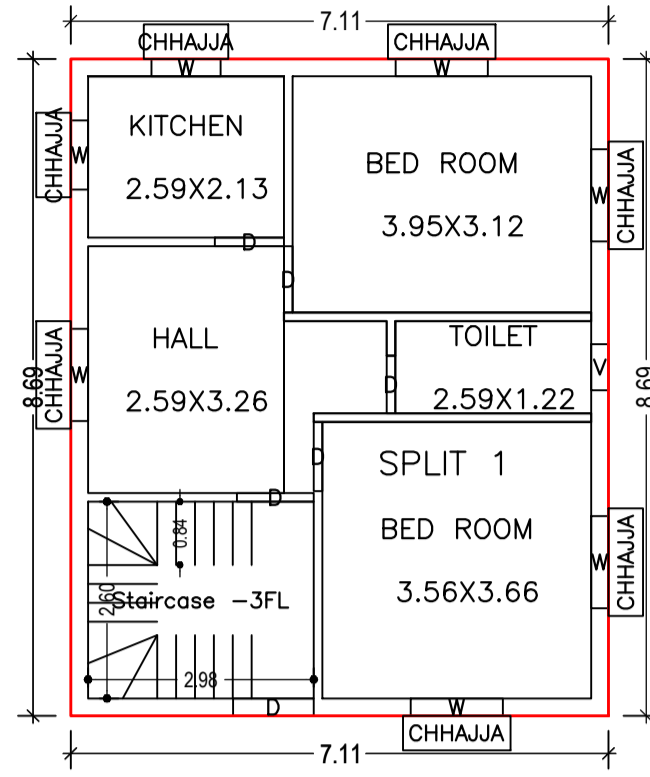
Building Name	Building Use	Building SubUse	Building Structure
PARITOSH (SUNITI)	Residential	Bungalow/ Dwelling / Non Apartment	Non-Highrise

FAR & Tenement Details (Table 4c-1)

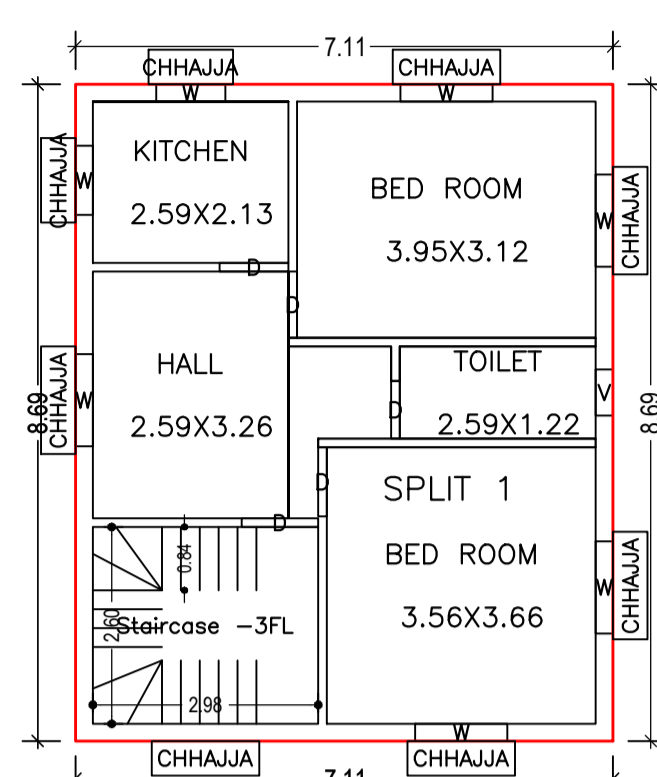
Building	No. of Same Bldg	Total Built Up Area (Sq.mt.)	Proposed FAR Area (Sq.mt.) Resi.	Total FAR Area (Sq.mt.)	Total Consumed Additional FAR Area (Sq.mt.)	Tnmt (No.)
PARITOSH (SUNITI)	1	123.52	123.52	123.52	123.52	01
Grand Total :	1	123.52	123.52	123.52	123.52	01

LTP NAME AND SIGNATURE	STRUCTURAL ENG'S NAME AND SIGNATURE	BUILDER NAME AND SIGNATURE	DIGITAL SIGNATURE
RAM PRATAP SINGH MADA/ARC/0024/2019			

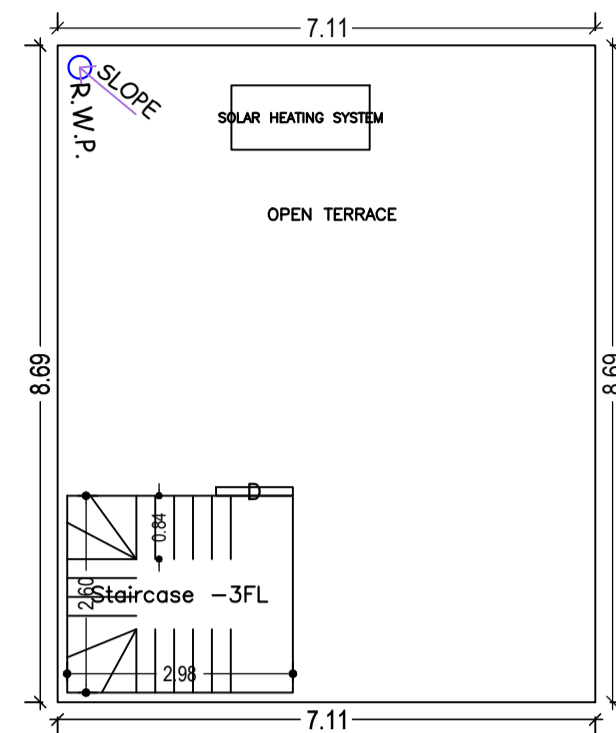
Proposal Basic Information	
Proposal File No.	MADA/BP/0375/2022
Owner Name	1. SRI. PARITOSH SHAKHA AND 2. SMT. SUNITI DEVI
Khata No	OLD KHATA NO- 25, NEW KHATA NO-35
Plot No	OLD PLOT NO- 2537, NEW PLOT NO-3901
Village Name	Bara Pichri
Use	Residential
SubUse	Bungalow/ Dwelling / Non Apartment



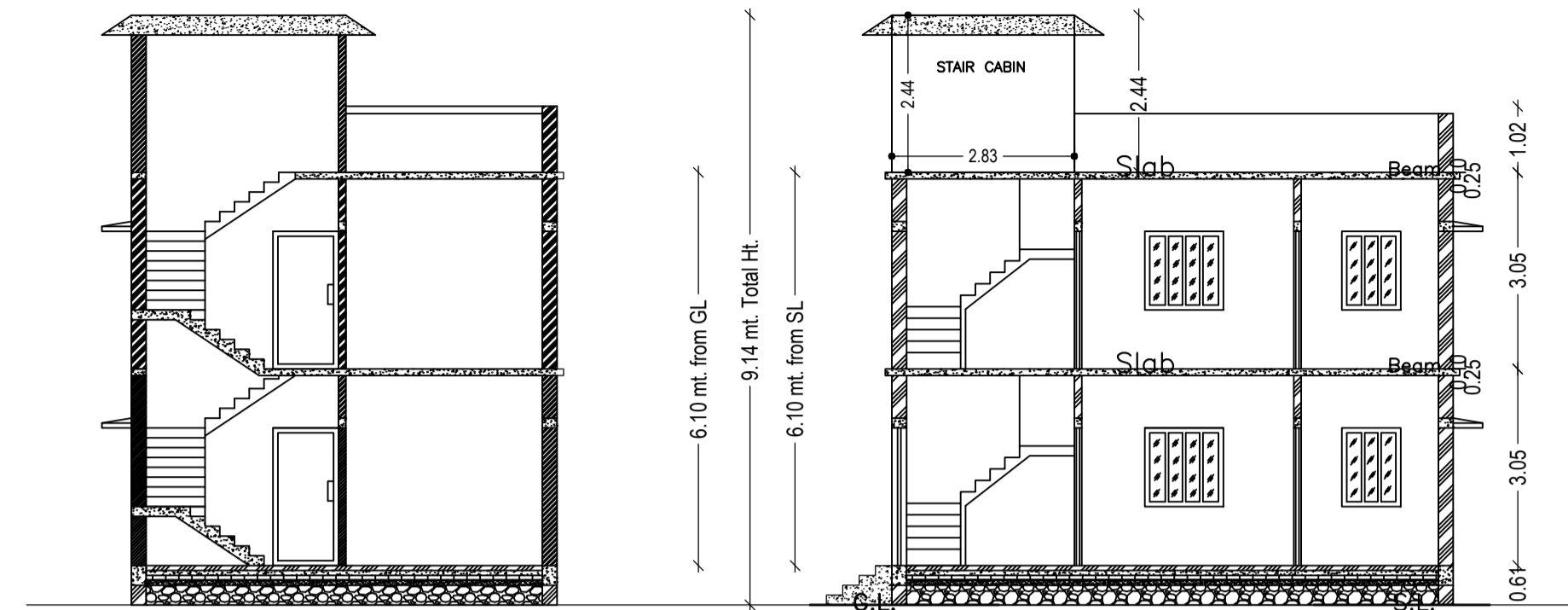
GROUND FLOOR PLAN  
(Proposed)  
(SCALE 1:100)



FIRST FLOOR PLAN  
(Proposed)  
(SCALE 1:100)

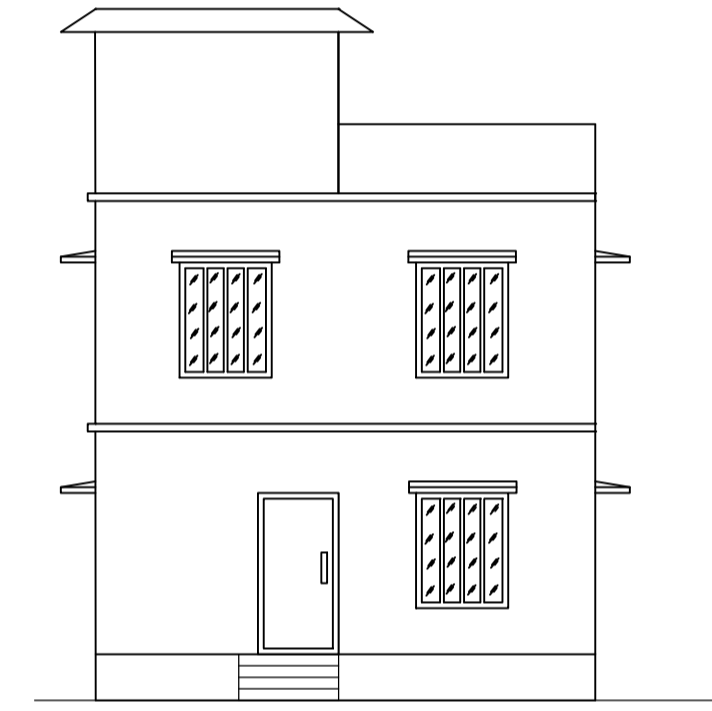


TERRACE FLOOR PLAN  
(SCALE 1:100)

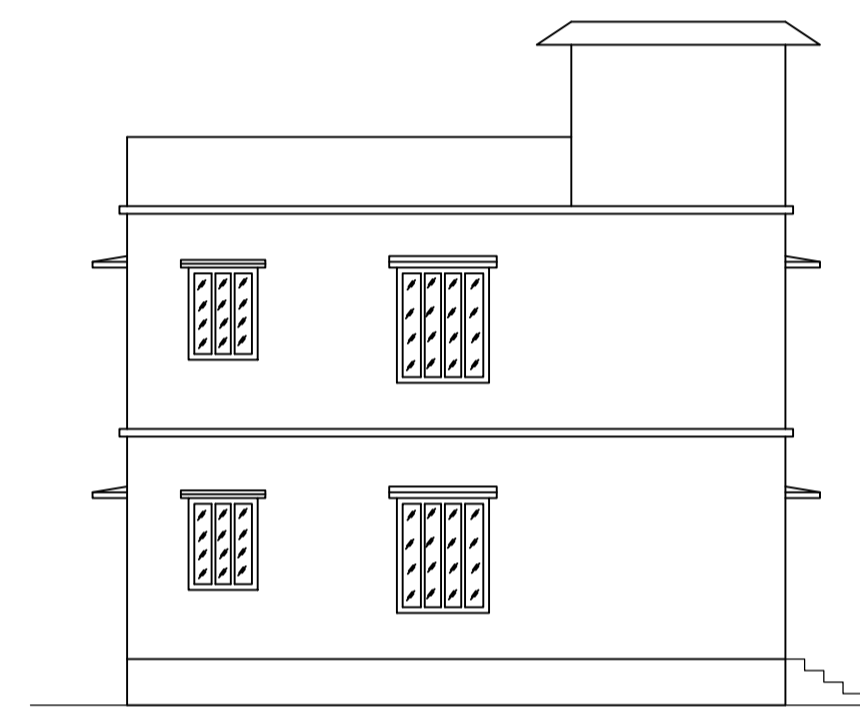


SECTION X-X

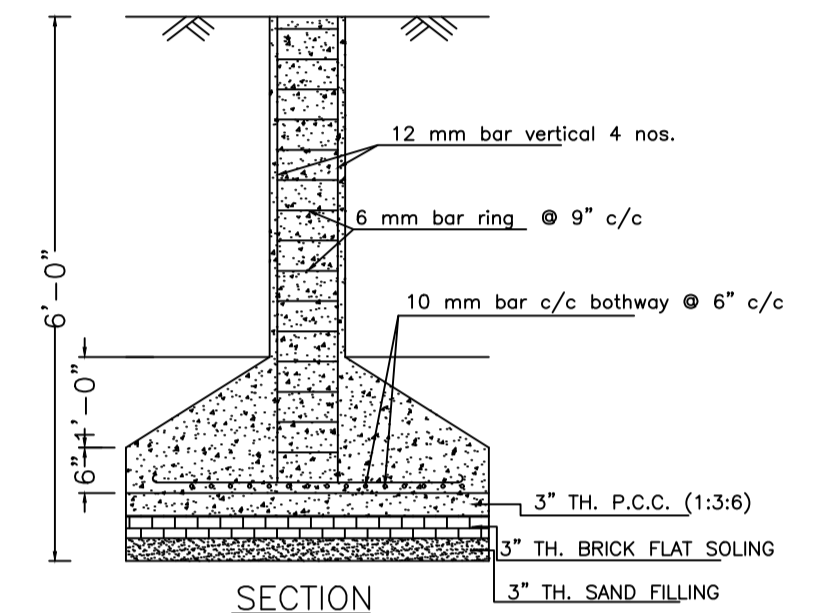
SECTION Y-Y



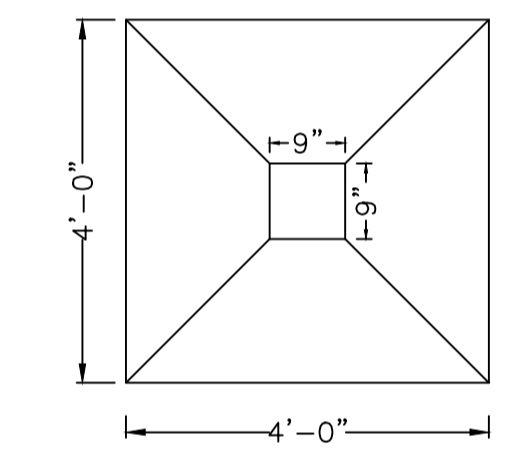
FRONT ELEVATION



LEFT SIDE ELEVATION

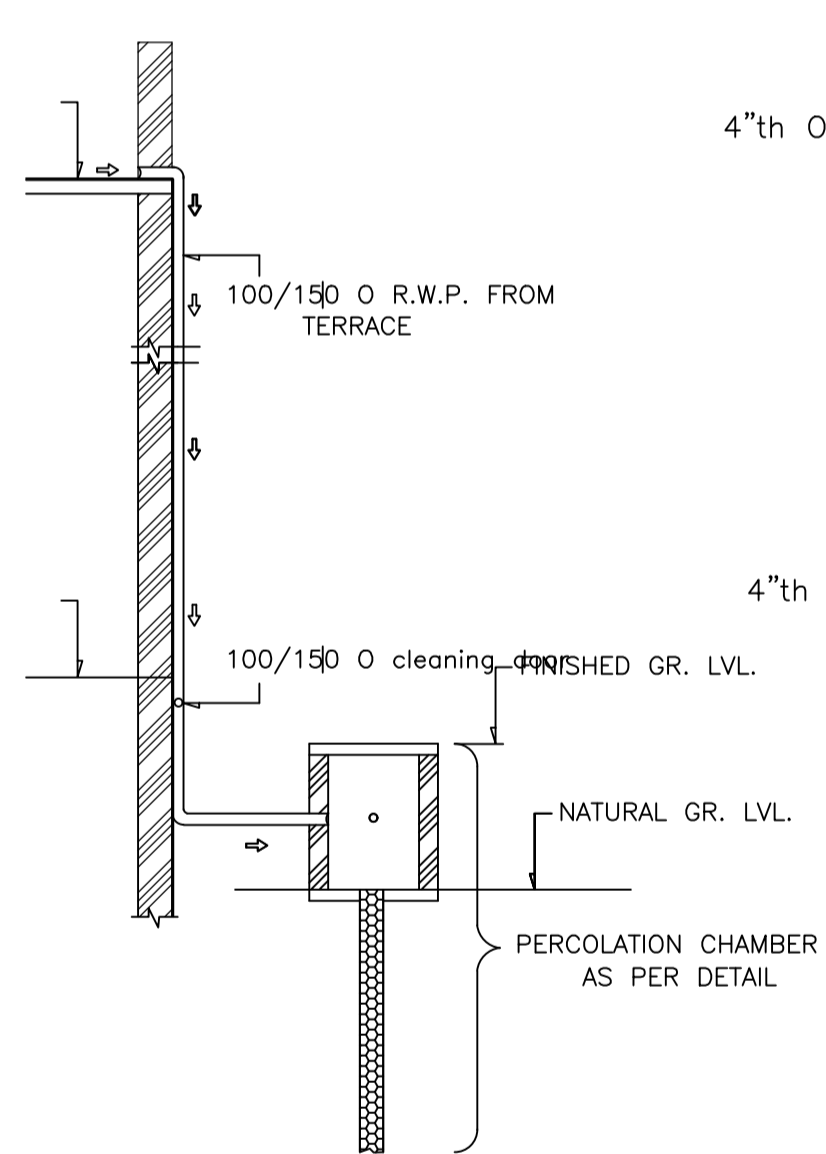


SECTION

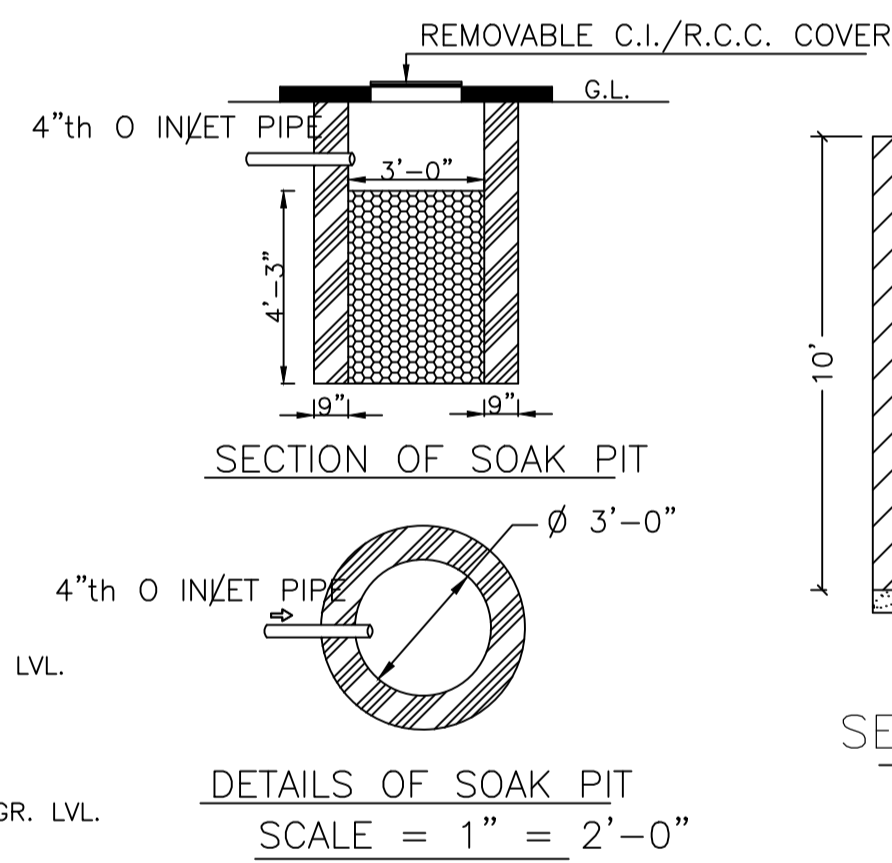


PLAN

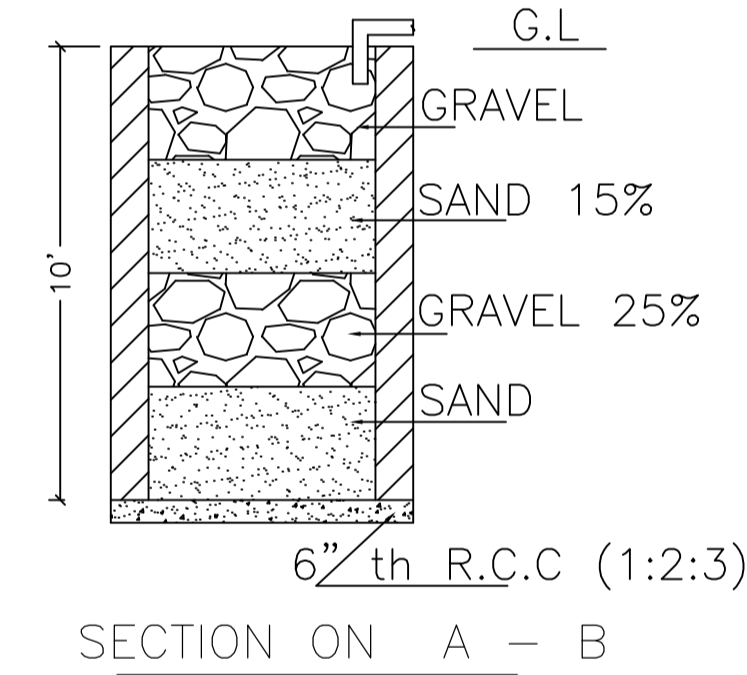
DETAILS OF COLUMN FOUNDATION



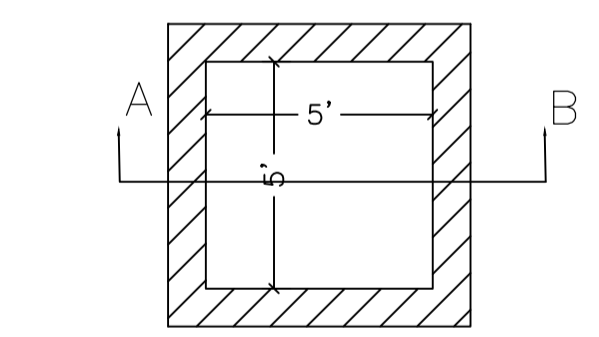
ROOF TOP RAIN WATER COLLECTION SYSTEM



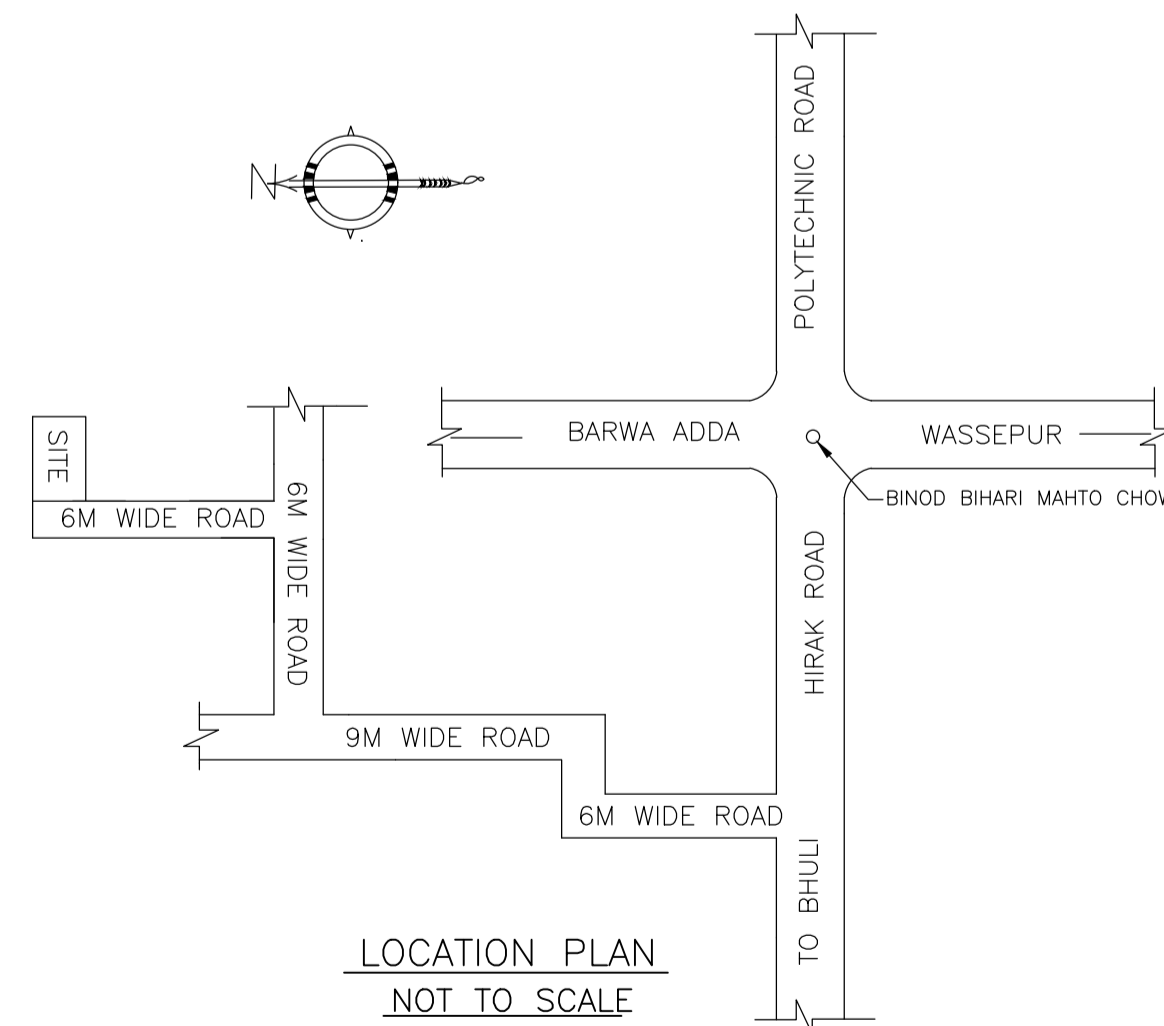
DETAILS OF SOAK PIT  
SCALE = 1" = 2'-0"



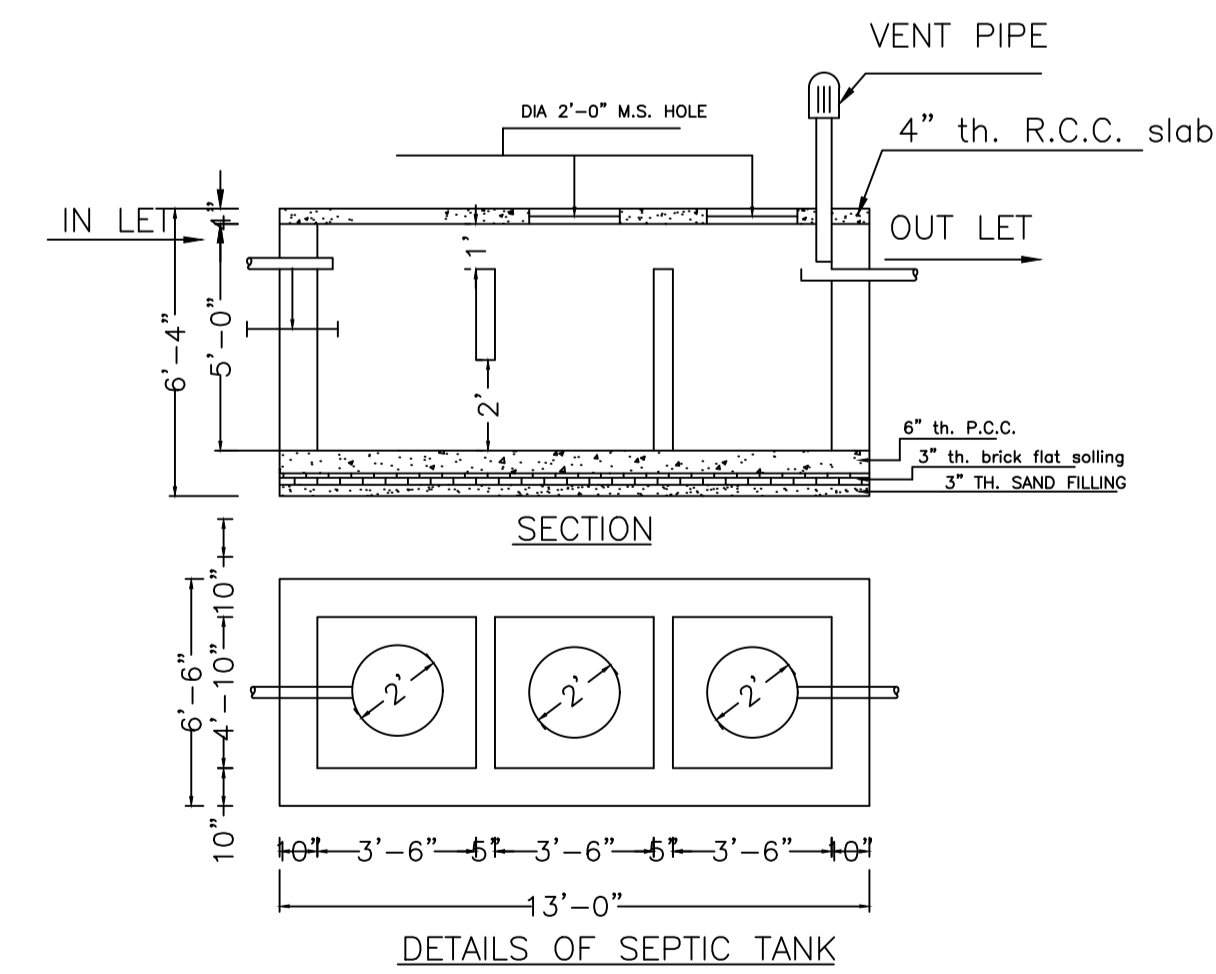
SECTION ON A - B



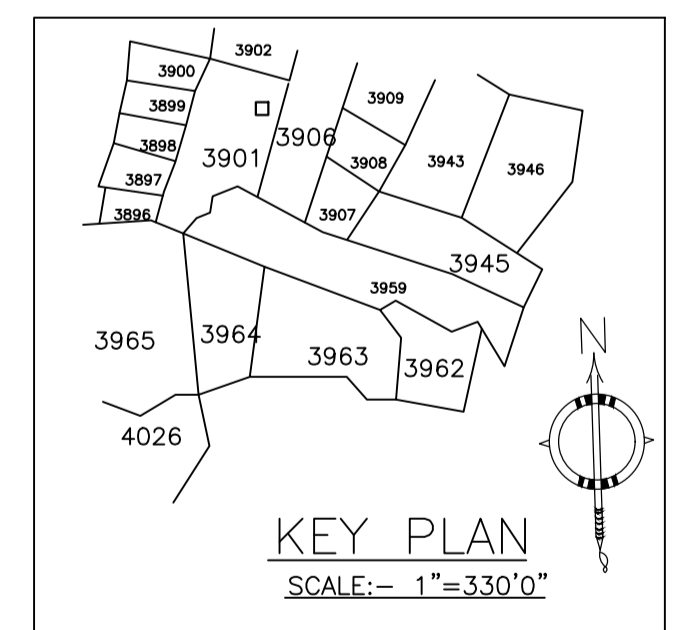
DETAILS DRAWING OF  
RAIN WATER HARVESTING



LOCATION PLAN  
NOT TO SCALE



DETAILS OF SEPTIC TANK



KEY PLAN  
SCALE:- 1"=330'0"

LTP NAME AND SIGNATURE	STRUCTURAL ENG'S NAME AND SIGNATURE	BUILDER NAME AND SIGNATURE	DIGITAL SIGNATURE
RAM PRATAP SINGH MADA/ARC/0024/2019			