

Building :AA (BB)

Floor Name	Total Built Up Area (Sq.mt.)	Proposed FAR Area (Sq.mt.) Res.	Total FAR Area (Sq.mt.)	Total Consumed Additional FAR Area (Sq.mt.)	Trmt (No.)
Ground Floor	77.57	77.57	77.57	77.57	01
First Floor	77.57	77.57	77.57	77.57	00
Terrace Floor	0.00	0.00	0.00	0.00	00
Total:	155.14	155.14	155.14	155.14	01
Total Number of Same Buildings	1				
Total:	155.14	155.14	155.14	155.14	01

SCHEDULE OF DOOR:

BUILDING NAME	NAME	LENGTH	HEIGHT	NOS
AA (BB)	D	0.76	2.10	04
AA (BB)	D	1.07	2.10	06
AA (BB)	D	1.22	2.10	06
AA (BB)	D	1.25	2.10	01
AA (BB)	D	1.41	2.10	02

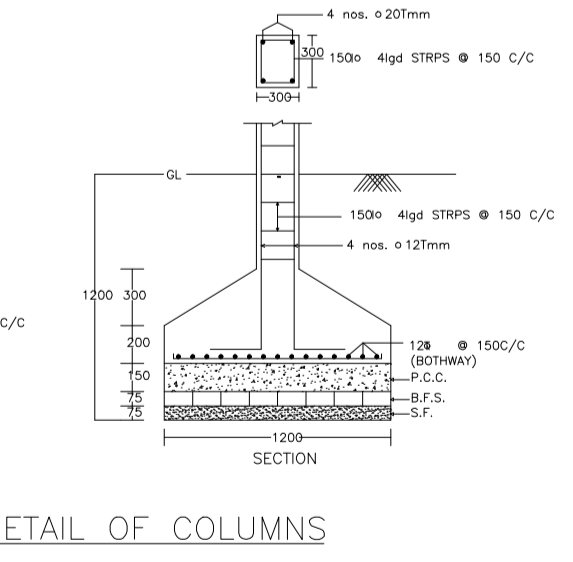
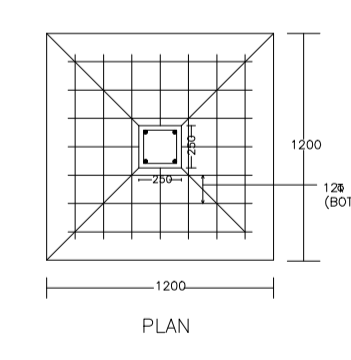
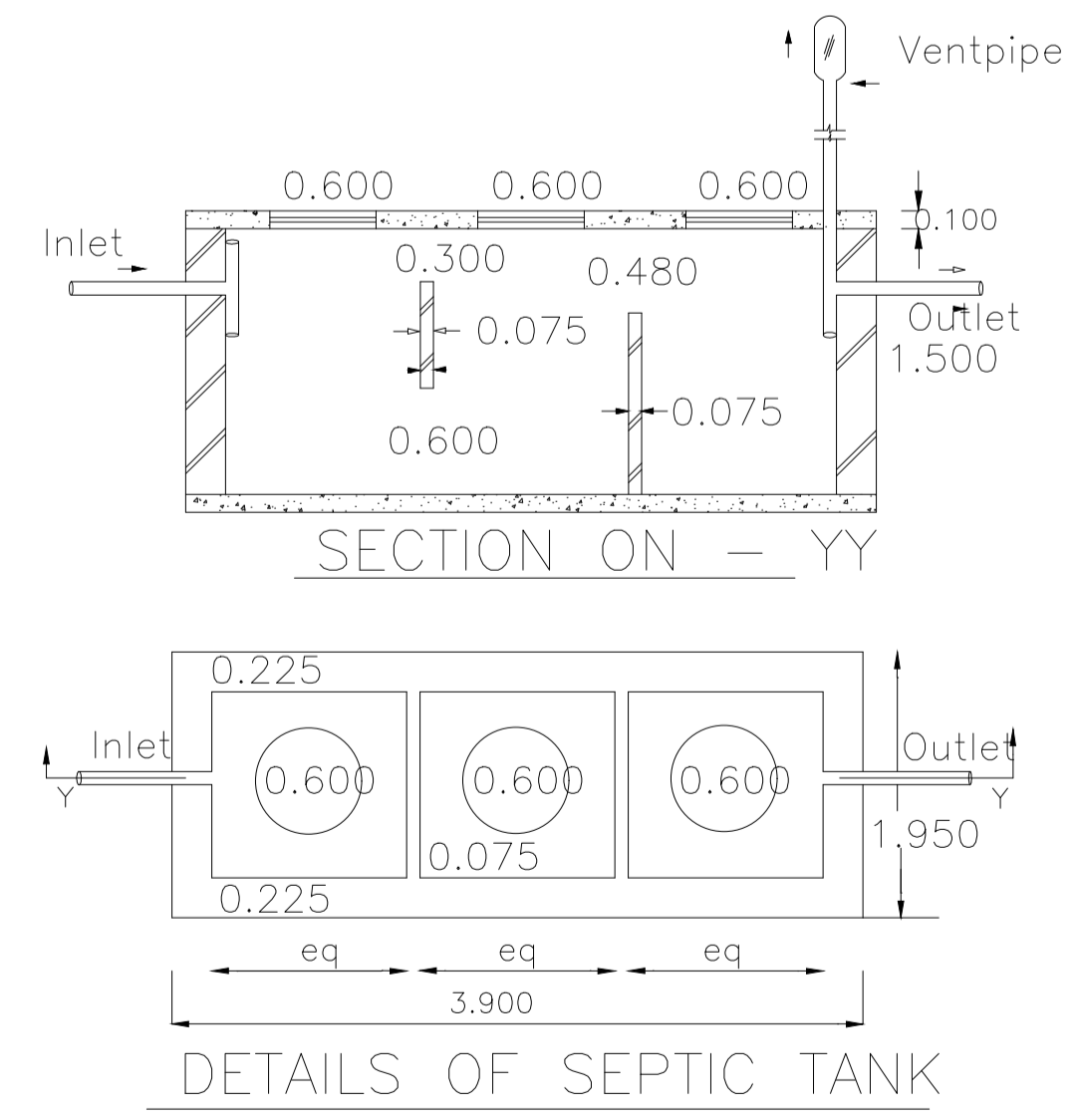
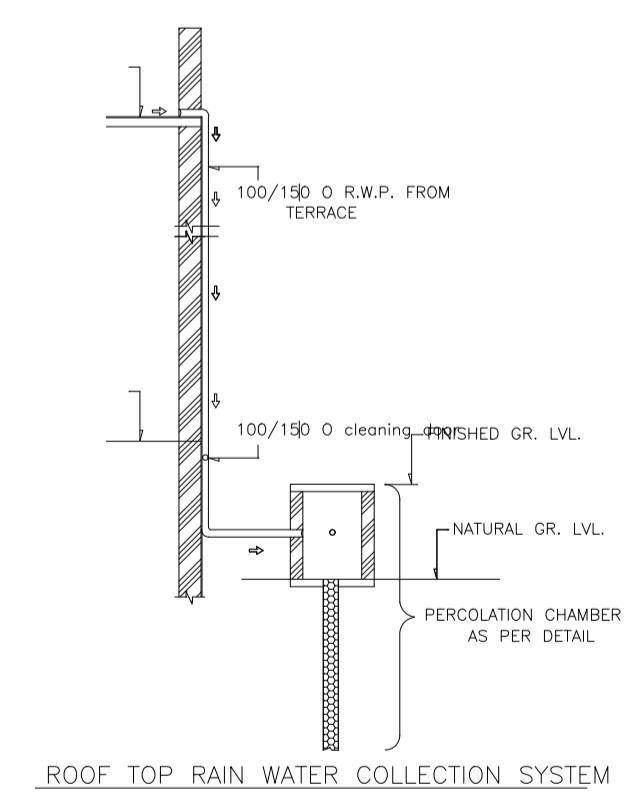
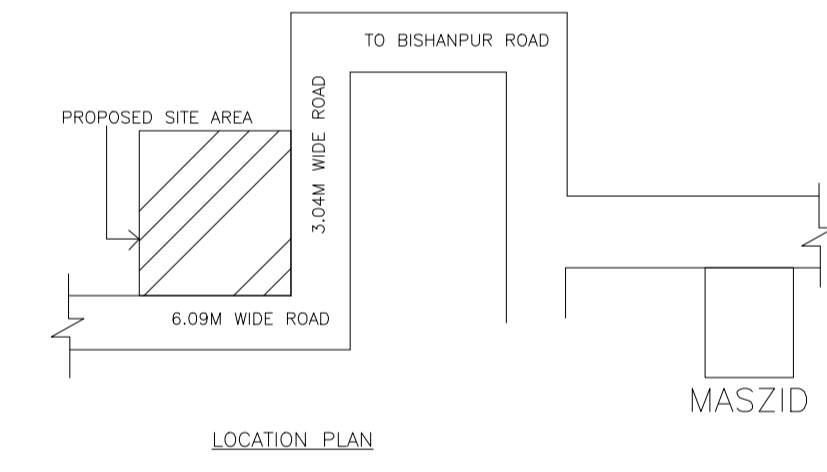
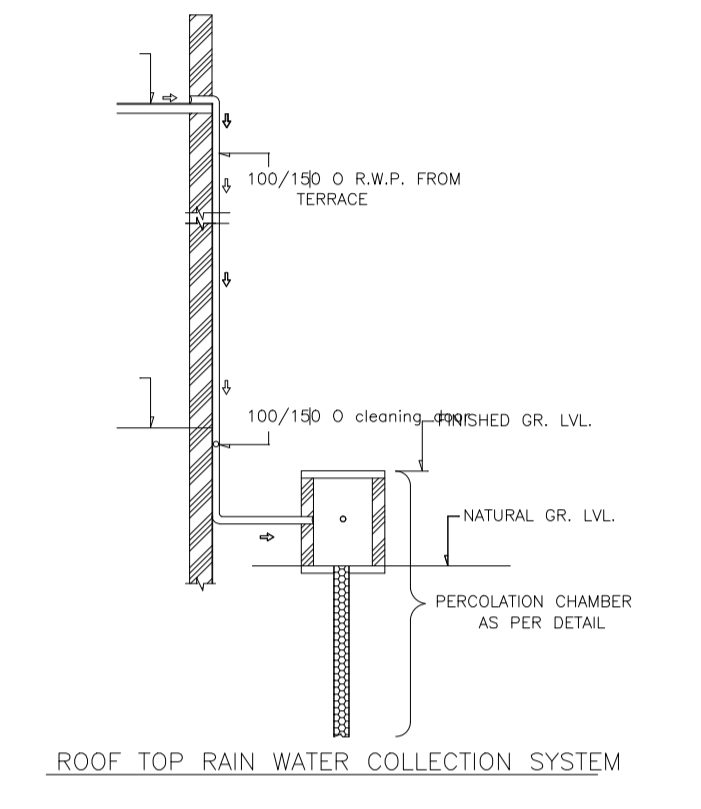
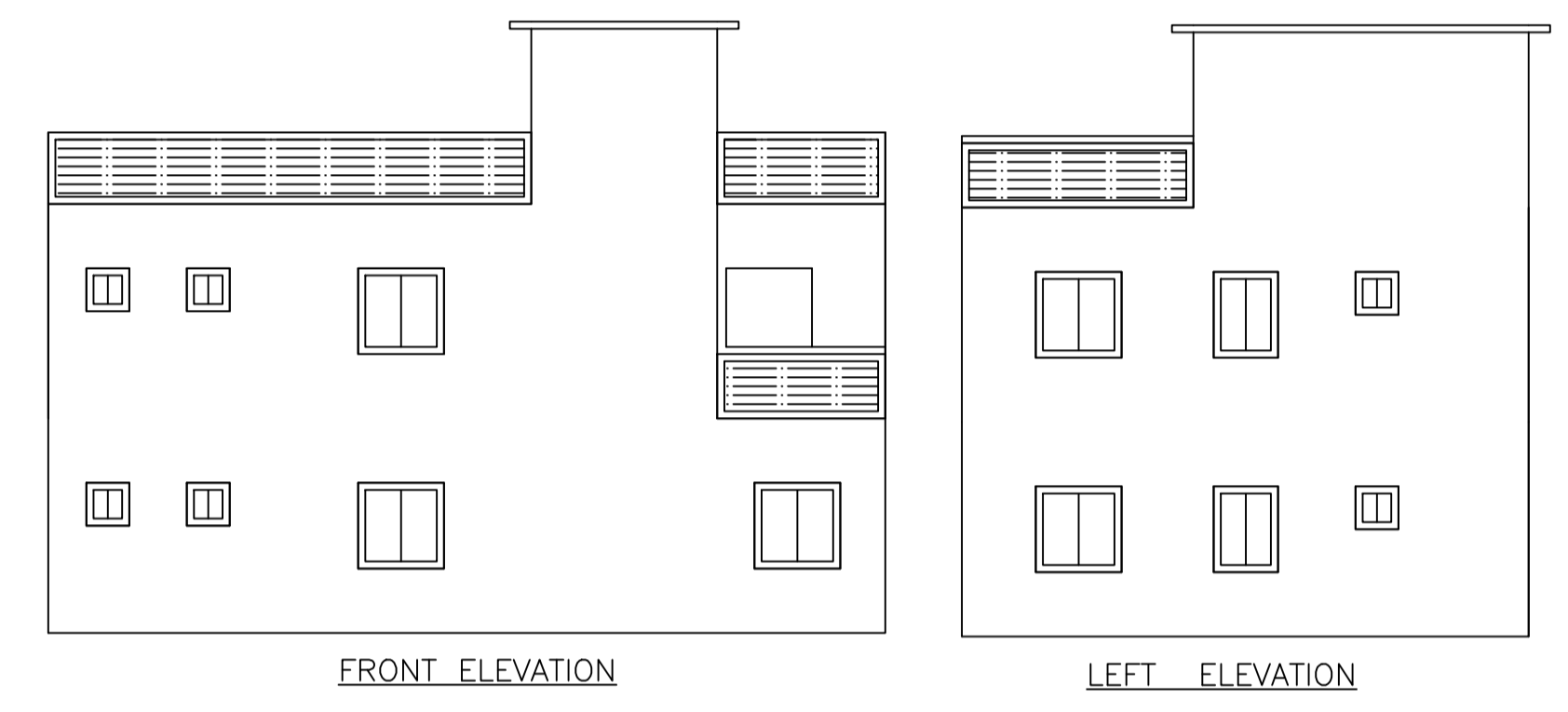
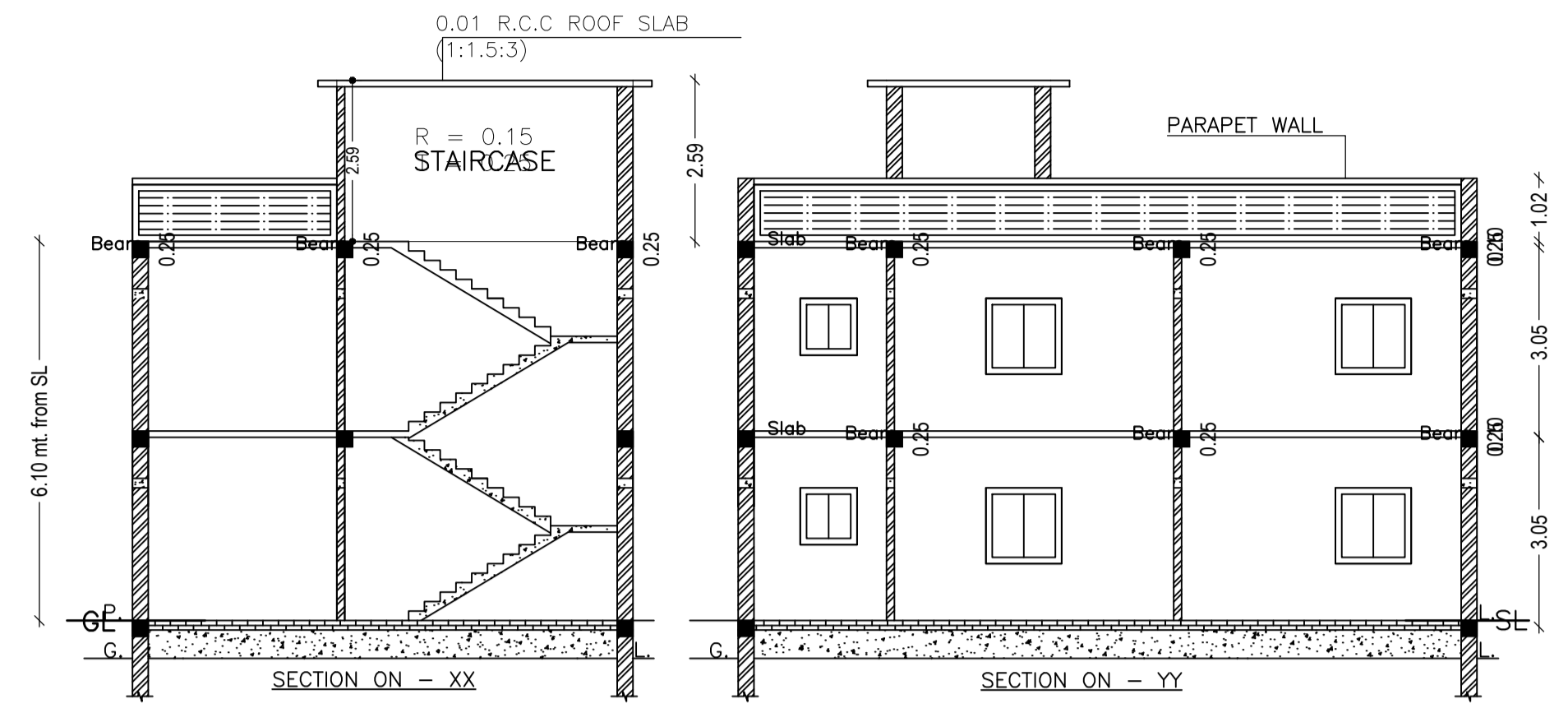
UnitBUA Table for Building :AA (BB)

FLOOR	Name	UnitBUA Type	UnitBUA Area	Carpet Area	No. of Rooms	No. of Tenement
GROUND FLOOR PLAN	SPLIT ABC	FLAT	155.13	154.78	7	1
FIRST FLOOR PLAN	SPLIT ABC	FLAT	0.00	0.00	7	0
Total:			155.13	154.78	14	1

SCHEDULE OF WINDOW/VENTILATION:

BUILDING NAME	NAME	LENGTH	HEIGHT	NOS
AA (BB)	W	0.61	1.20	06
AA (BB)	W	0.91	1.20	04
AA (BB)	W	1.22	1.20	12

ISO_A1_(841.00_x_594.00_MM)



Proposal Basic Information

Proposal File No.	MADA/BP/0316/2022
Owner Name	SMT RIVA SHOME
Khata No	33
Plot No	27
Village Name	Bishanpur
Use	Residential
SubUse	Bungalow/ Dwelling / Non Apartment

AREA STATEMENT MINERAL AREA DEVELOPMENT AUTHORITY	VERSION NO.: 1.0.64
DEVELOPMENT AUTHORITY	VERSION DATE: 16/10/2020
PROJECT DETAIL:	
Region: JHARKHAND URBAN LOCAL BODIES	Plot Use: Residential
District: DHANBAD	Plot SubUse: Bungalow/ Dwelling / Non Apartment
Authority: MINERAL AREA DEVELOPMENT AUTHORITY	Plot/Nearby/Religious/Structure: NA
Inward No: MADA/BP/0316/2022	Plot/SubPlot No: 27
Application Type: General Proposal	North: Plot No - NALA
Project Type: Building Permission	South: Road Width - 3.04M WIDE ROAD
Nature of Development: New	East: Plot No. - SUR YADAV
Location of Development Area: Old Area	West: Road Width - 6.09M WIDE ROAD
AREA DETAILS:	
AREA OF PLOT (Minimum)	(A) 158.94 SQ.MT.
Deduction for NetPlot Area	
Road Widening Area	20.99
Total	20.99
NET AREA OF PLOT(Gross Plot Area - Deduction from Gross Plot area)	(A-Deductions) 137.95
Deduction for Balance Plot Area(from Gross Plot Area)	
Road Widening Area	20.99
Common Plot	15.39
Total	36.38
BALANCE AREA OF PLOT(Net Plot Area - Recreational/Amenity space)	(A-Deductions) 122.56
PLOT AREA FOR COVERAGE(Net Plot Area)	(A-Deductions) 137.95
Plot Area for FAR (Net Plot Area + RoadWidening Area)	(A-Deductions) 137.95
COVERAGE CHECK	
Permissible Coverage area (70.00 %)	96.56
Proposed Coverage Area (56.23 %)	77.57
Total Prop. Coverage Area (56.23 %)	77.57
Balance coverage area (13.77 %)	18.99
FAR CHECK	
Perm. FAR Area (1.200)	165.54
Total Perm. FAR area	165.54
Residential FAR	155.13
Proposed FAR Area	155.13
Total Proposed FAR Area	155.13
Consumed FAR (Factor)	1.12
Balance FAR Area	10.41
BUILT UP AREA CHECK	
Total Proposed BuiltUp Area	155.14
ARCHITECT (Regd)	AJAY KUMAR
ENGINEER (Regd)	
SUPERVISOR (Regd)	
OWNER (Regd)	SMT RIVA SHOME
DEVELOPMENT AUTHORITY LOCAL BODY	

COLOR INDEX

PLOT BOUNDARY	Black
ABUTTING ROAD	Red
PROPOSED CONSTRUCTION	Green
COMMON PLOT	Yellow
ROAD WIDENING AREA	Blue
EXISTING (To be retained)	Light Blue
EXISTING (To be demolished)	Dark Blue

Buildingwise Floor FAR Details

Floor Name	Building Name AA (BB)		Total	
	Proposed Built Up Area (Sq.mt.)	Proposed FAR Area (Sq.mt.)	Total Proposed Built Up Area (Sq.mt.)	Total FAR Area (Sq.mt.)
Ground Floor	77.57	77.57	77.57	77.57
First Floor	77.57	77.57	77.57	77.57
Terrace Floor	0.00	0.00	0.00	0.00
Total :	155.14	155.14	155.14	155.14

Building USE/SUBUSE Details

Building Name	Building Use	Building SubUse	Building Structure
AA (BB)	Residential	Bungalow/ Dwelling / Non Apartment	Non-Highrise

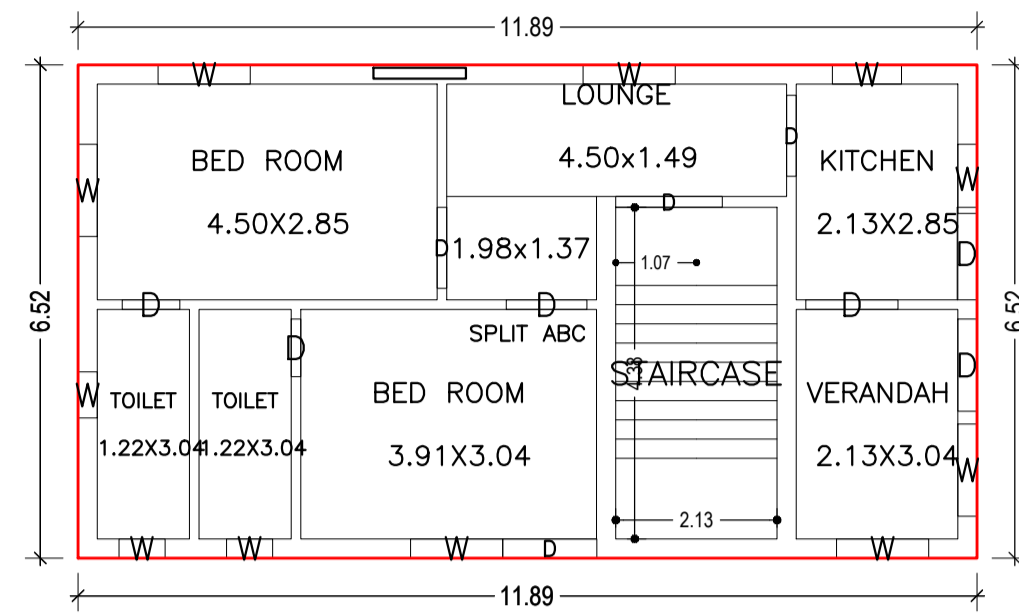
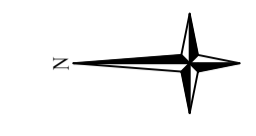
FAR & Tenement Details (Table 4c-1)

Building	No. of Same Bldg	Total Built Up Area (Sq.mt.)	Proposed FAR Area (Sq.mt.) Res.	Total FAR Area (Sq.mt.)	Total Consumed Additional FAR Area (Sq.mt.)	Trmt (No.)
AA (BB)	1	155.14	155.14	155.14	155.14	01
Grand Total :		155.14	155.14	155.14	155.14	01

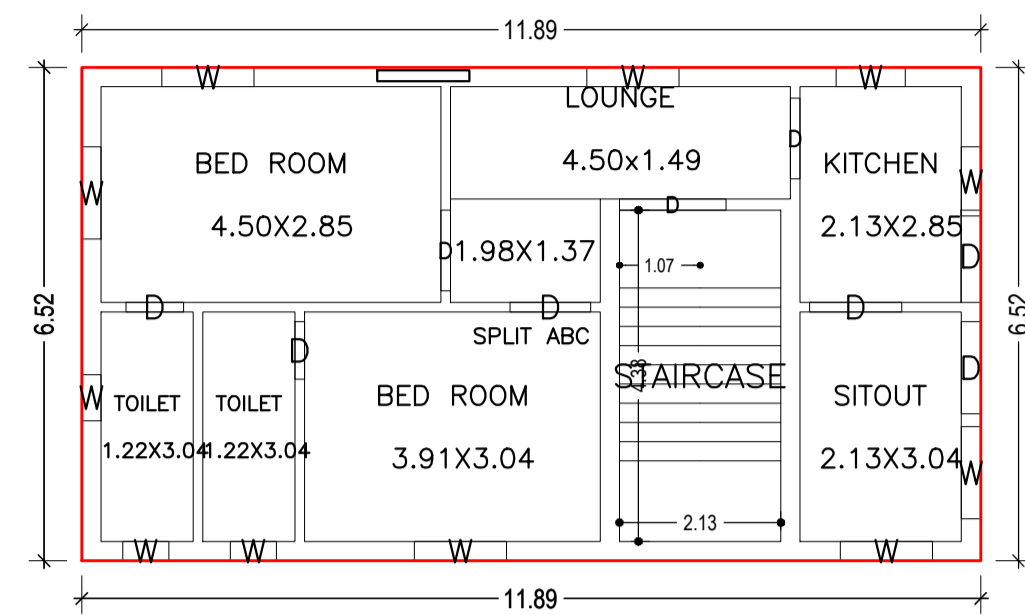
LTP NAME AND SIGNATURE	STRUCTURAL ENG'S NAME AND SIGNATURE	BUILDER NAME AND SIGNATURE	DIGITAL SIGNATURE
AJAY KUMAR MADA/ENG/0004/2022			

Proposal Basic Information

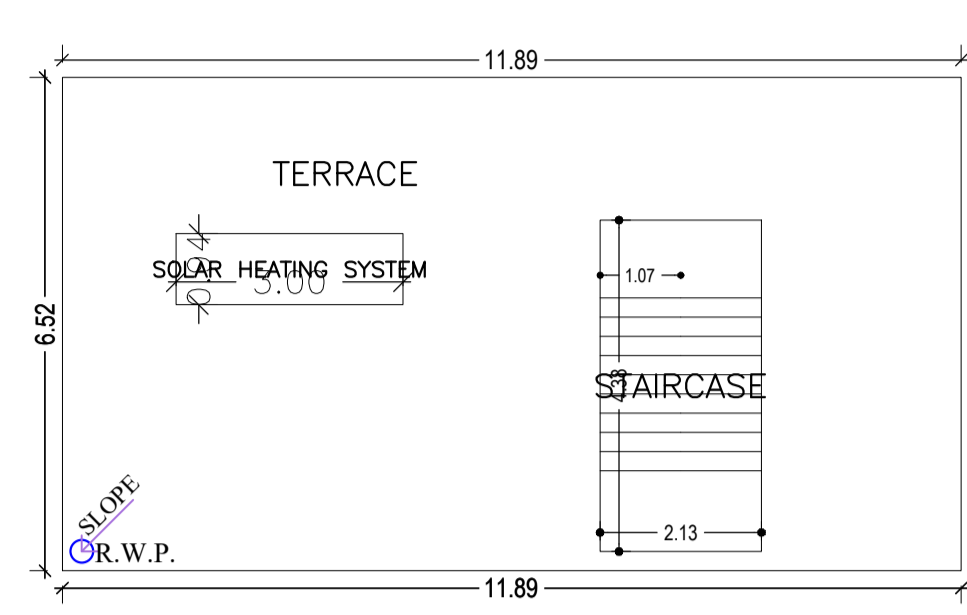
Proposal File No.	MADA/BP/0316/2022
Owner Name	SMT RIVA SHOME
Khata No	33
Plot No	27
Village Name	Bishanpur
Use	Residential
SubUse	Bungalow/ Dwelling / Non Apartment



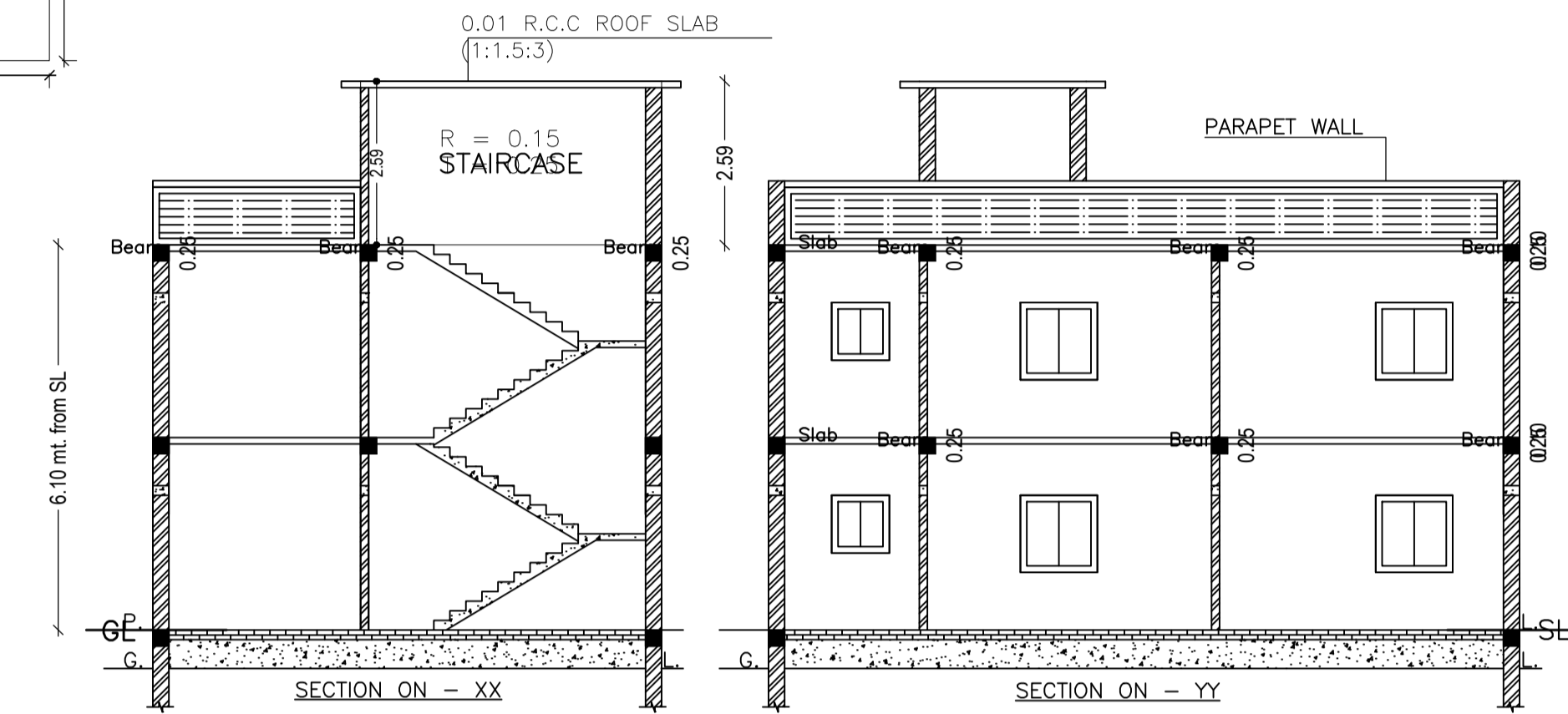
GROUND FLOOR PLAN
(Proposed)
(SCALE 1:100)



FIRST FLOOR PLAN
(Proposed)
(SCALE 1:100)

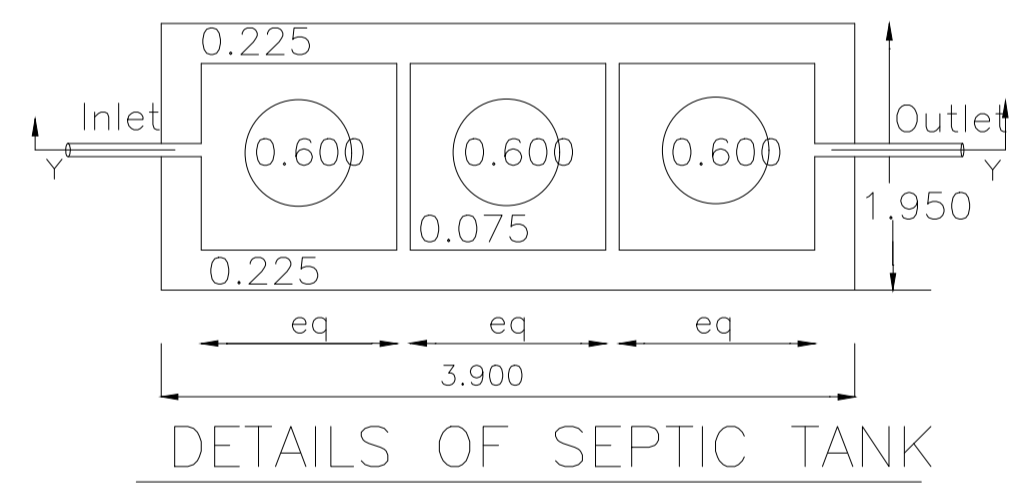
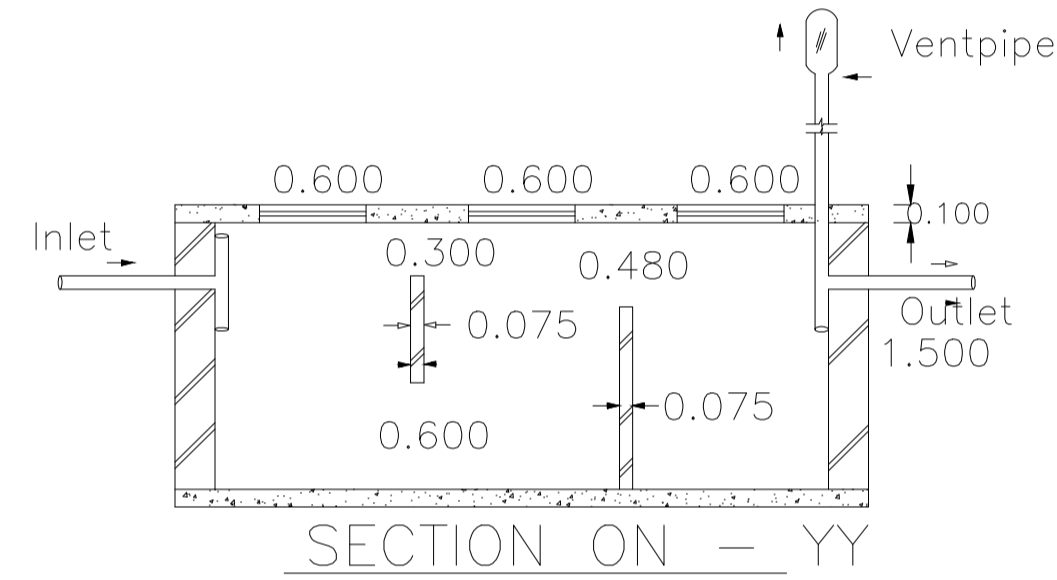
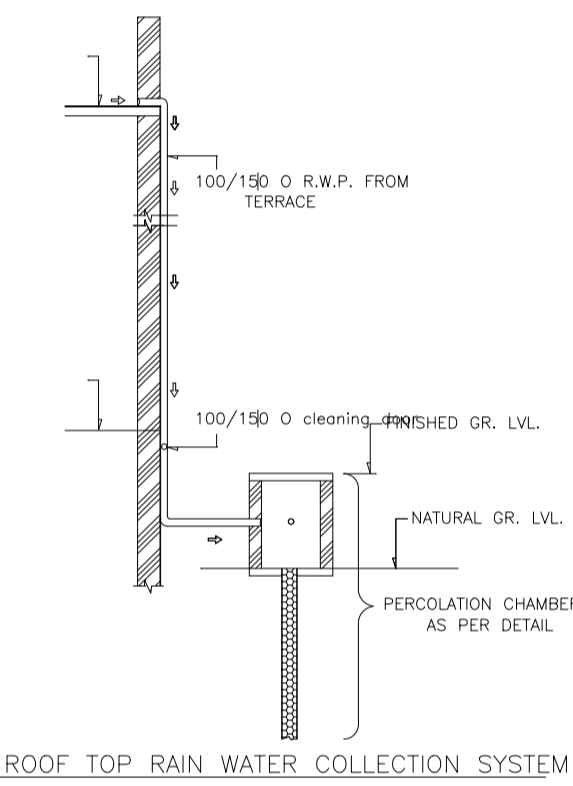


TERRACE FLOOR PLAN
(SCALE 1:100)

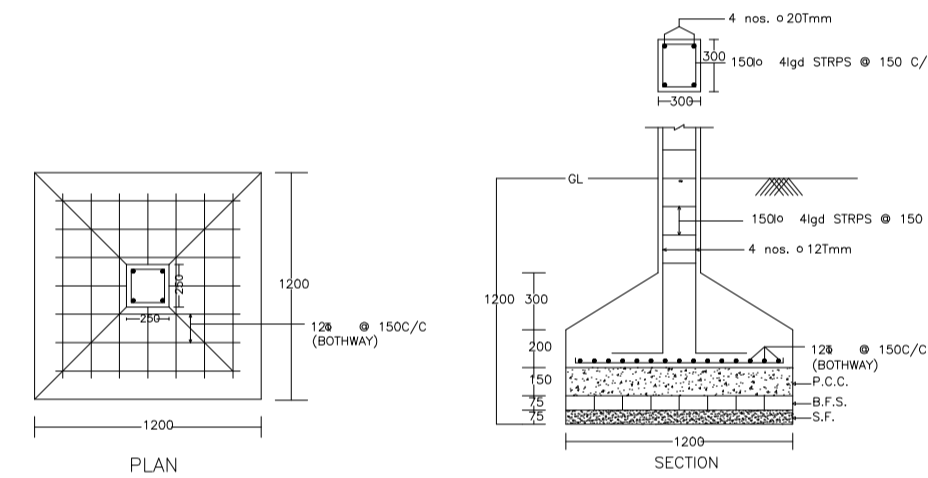


FRONT ELEVATION

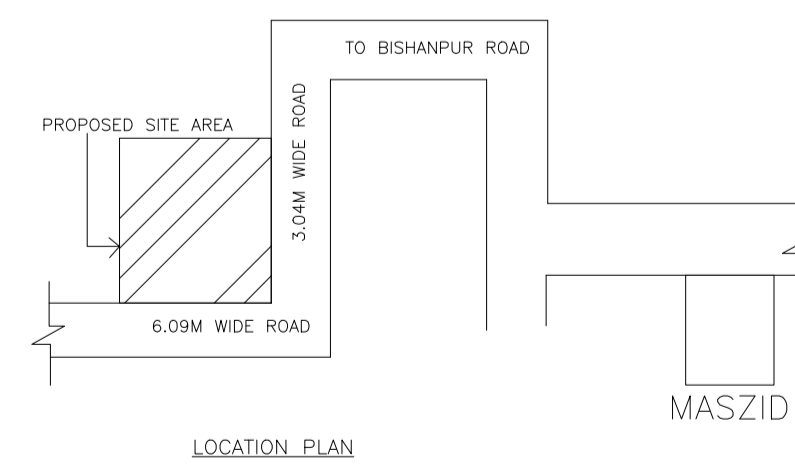
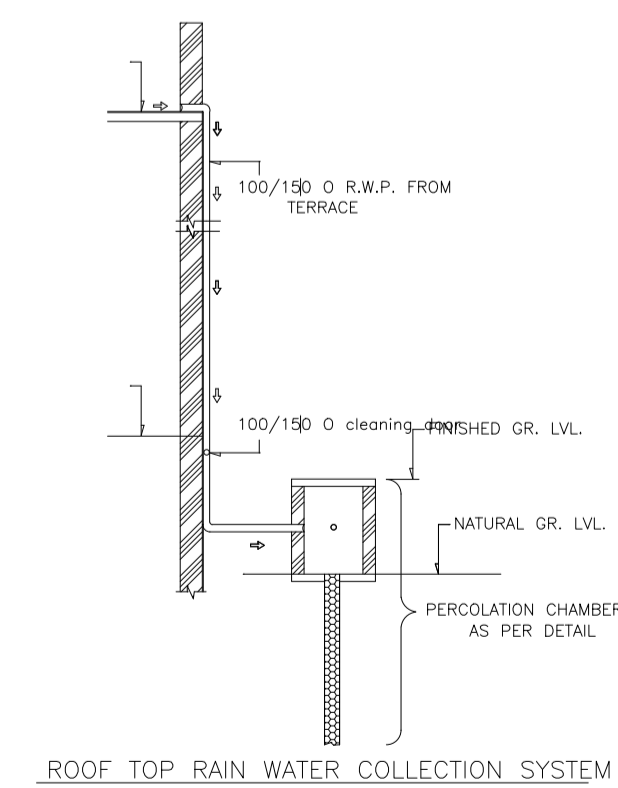
LEFT ELEVATION



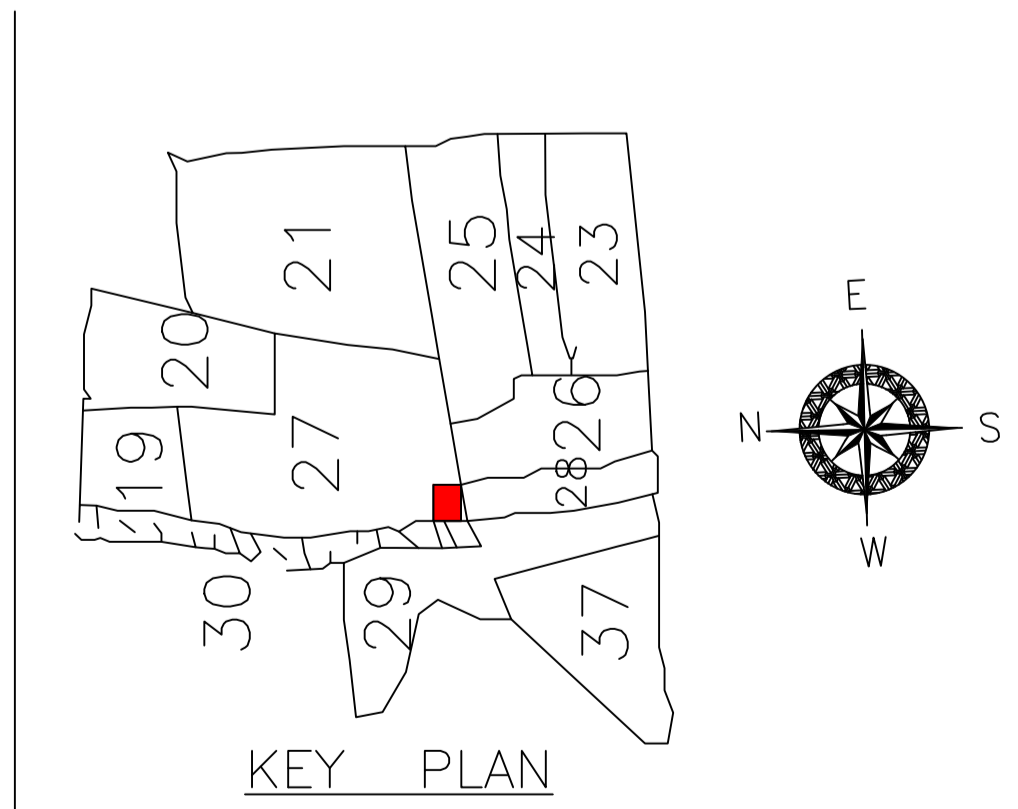
DETAILS OF SEPTIC TANK



DETAIL OF COLUMNS



LOCATION PLAN



KEY PLAN

LTP NAME AND SIGNATURE	STRUCTURAL ENG'S NAME AND SIGNATURE	BUILDER NAME AND SIGNATURE	DIGITAL SIGNATURE
AJAY KUMAR MADA/ENG/0004/2022			