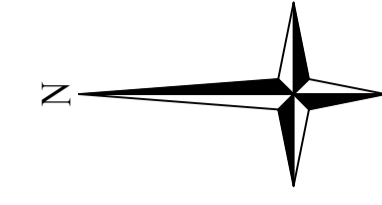
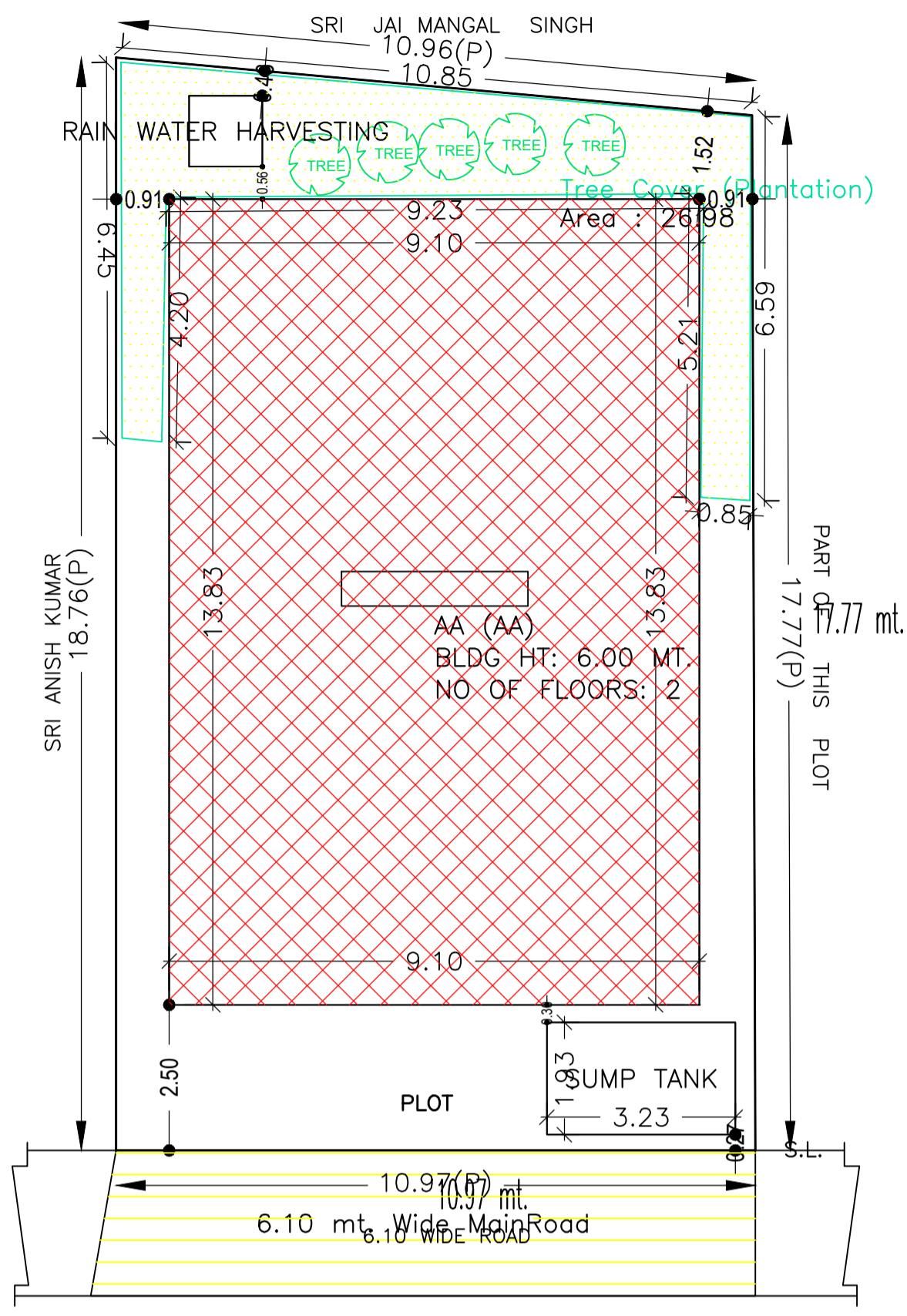


Proposal Basic Information

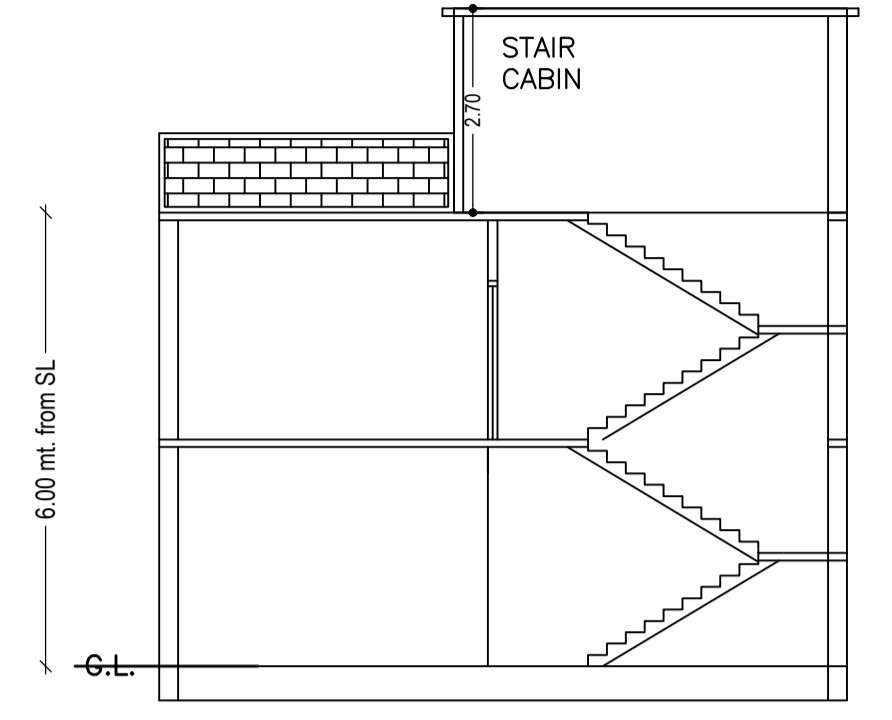
Proposal File No.	MADA/BP/0313/2022
Owner Name	SRI SANTOSH KUMAR
Khata No	86(OLD), 114(NEW)
Plot No	41(old) 37(new)
Village Name	Ranguni
Use	Residential
SubUse	Bungalow/ Dwelling / Non Apartment



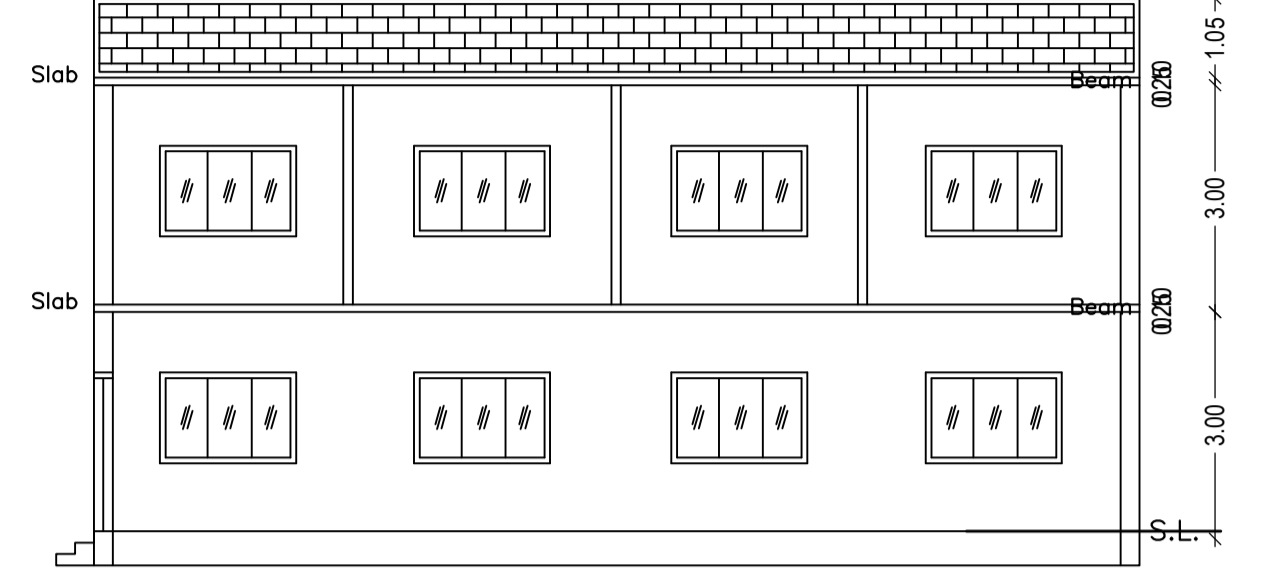
AREA STATEMENT MINERAL AREA DEVELOPMENT AUTHORITY	VERSION NO.: 1.0.64 VERSION DATE: 16/10/2020
PROJECT DETAIL:	
Region: JHARKHAND URBAN LOCAL BODIES	Plot Use: Residential
District: DHANBAD	Plot SubUse: Bungalow/ Dwelling / Non Apartment
Authority: MINERAL AREA DEVELOPMENT AUTHORITY	PlotNearbyReligiousStructure: NA
Inward_No: MADA/BP/0313/2022	Plot/SubPlot No: 41(old) 37(new)
Application Type: General Proposal	North: Plot No. - SRI ANISH KUMAR
Project Type: Building Permission	South: Plot No. - PART OF THIS PLOT
Nature of Development: New	East: Plot No. - SRI JAI MANGAL SINGH
Location of Development Area: Old Area	West: Road Width - 6.10 WIDE ROAD
AREA DETAILS:	
AREA OF PLOT (Minimum)	(A) 199.89
NET AREA OF PLOT(Gross Plot Area - Deduction from Gross Plot area)	199.89
Deduction for Balance Plot Area(from Gross Plot Area)	
Common Plot	26.98
Total	26.98
BALANCE AREA OF PLOT(Net Plot Area - Recreational/Amenity space)	(A-Deductions) 172.92
PLOT AREA FOR COVERAGE(Net Plot Area)	(A-Deductions) 199.89
Plot Area for FAR (Net Plot Area + Road/Widening Area)	(A-Deductions) 199.89
COVERAGE CHECK	
Permissible Coverage area ( 70.00 % )	139.92
Proposed Coverage Area ( 62.96 % )	125.85
Total Prop. Coverage Area ( 62.96 % )	125.85
Balance coverage area ( 7.04 % )	14.07
FAR CHECK	
Perm. FAR Area ( 2.500 )	499.73
Total Perm. FAR area	499.73
Residential FAR	251.71
Proposed FAR Area	251.71
Total Proposed FAR Area	251.71
Consumed FAR (Factor)	1.26
Balance FAR Area	248.02
BUILT UP AREA CHECK	
Total Proposed BuiltUp Area	251.70
ARCHITECT (Regd)	RAJEEV RANJAN SINGH
ENGINEER (Regd)	
SUPERVISOR (Regd)	
OWNER (Regd)	SRI SANTOSH KUMAR
DEVELOPMENT AUTHORITY LOCAL BODY	



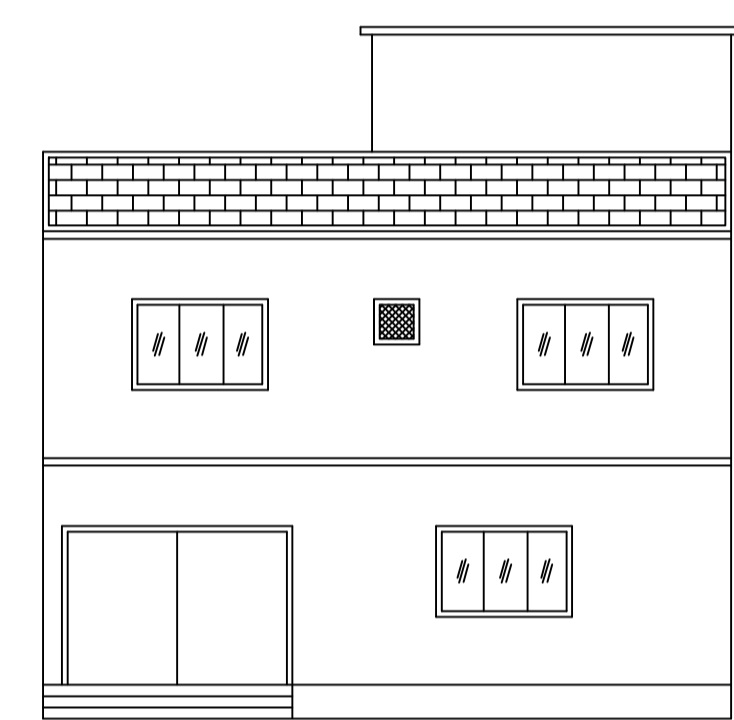
SITE PLAN



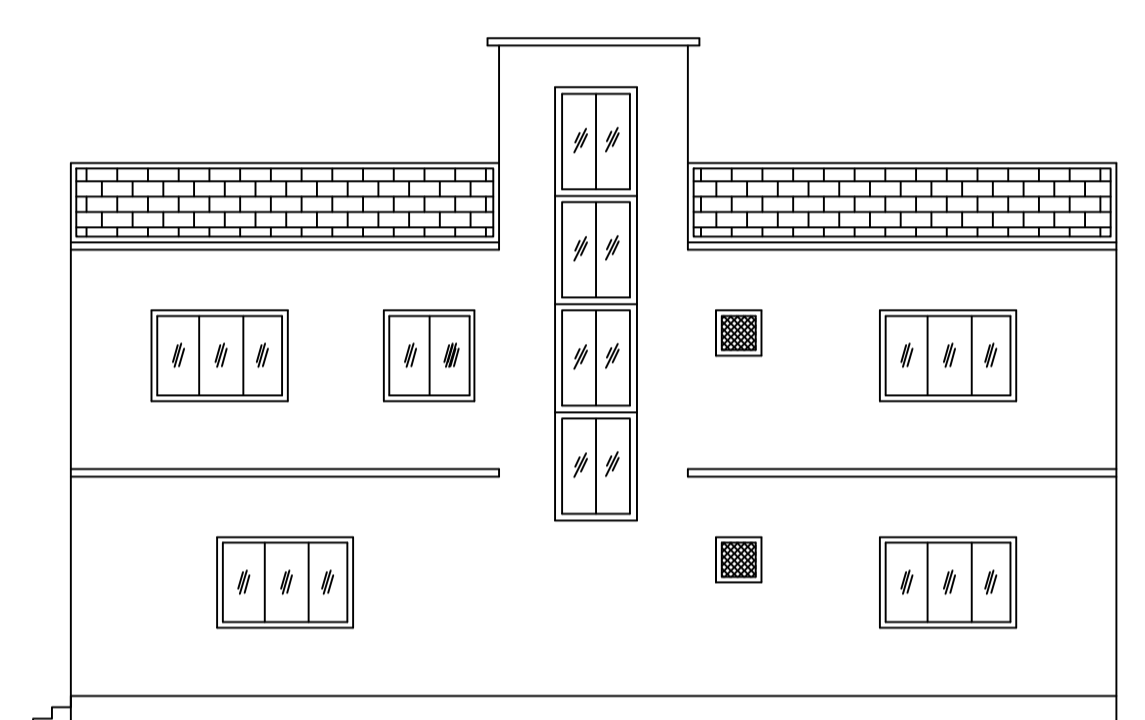
SECTION ON X-X



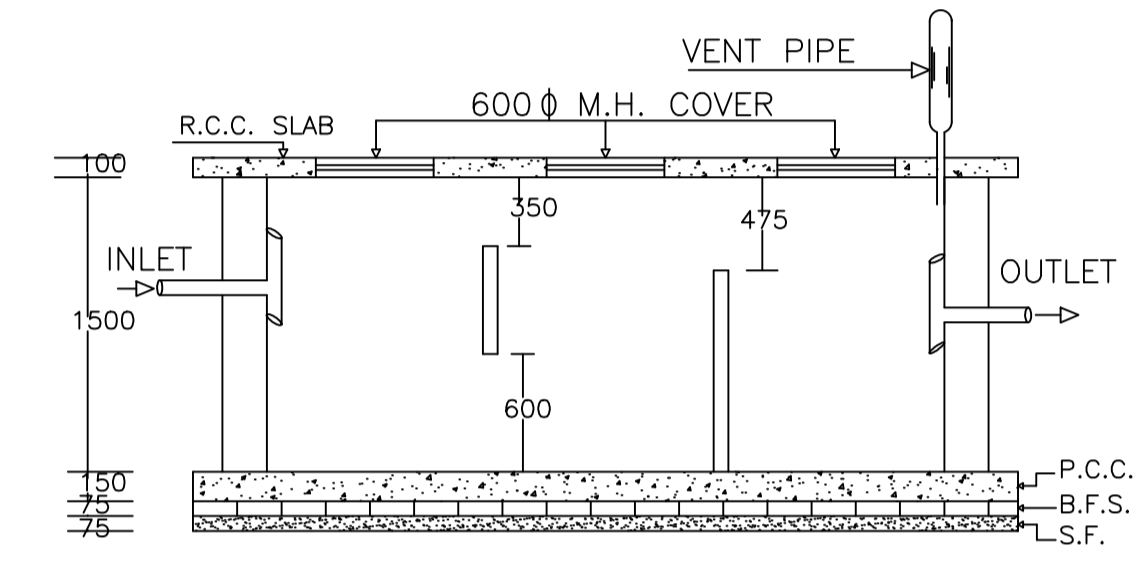
SECTION ON Y-Y



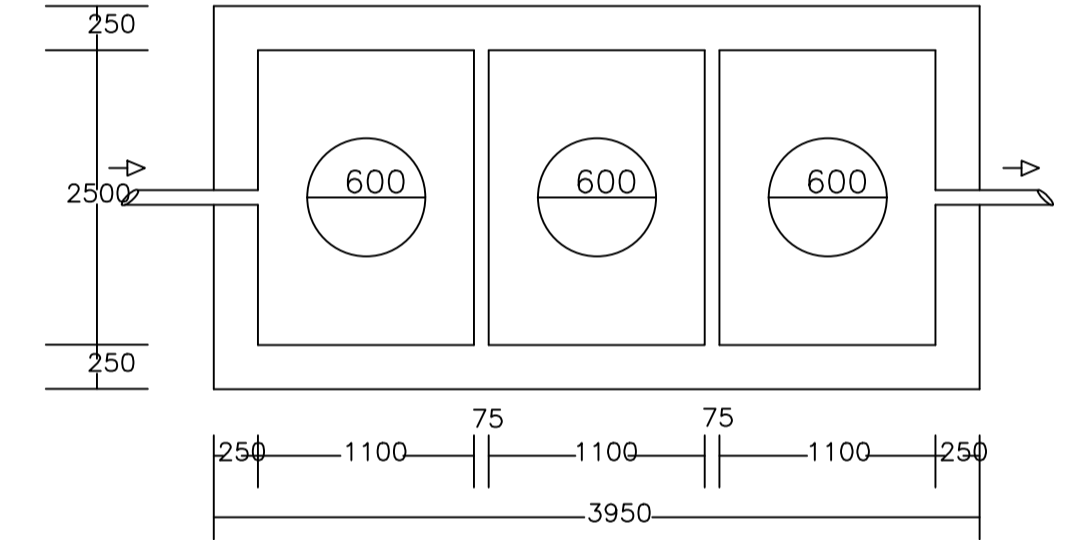
FRONT ELEVATION



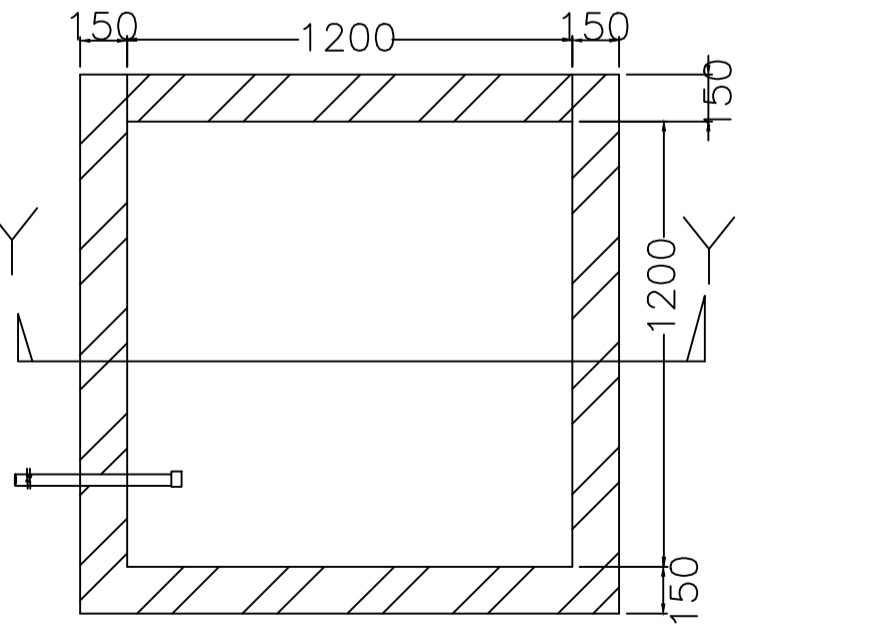
RIGHT SIDE ELEVATION



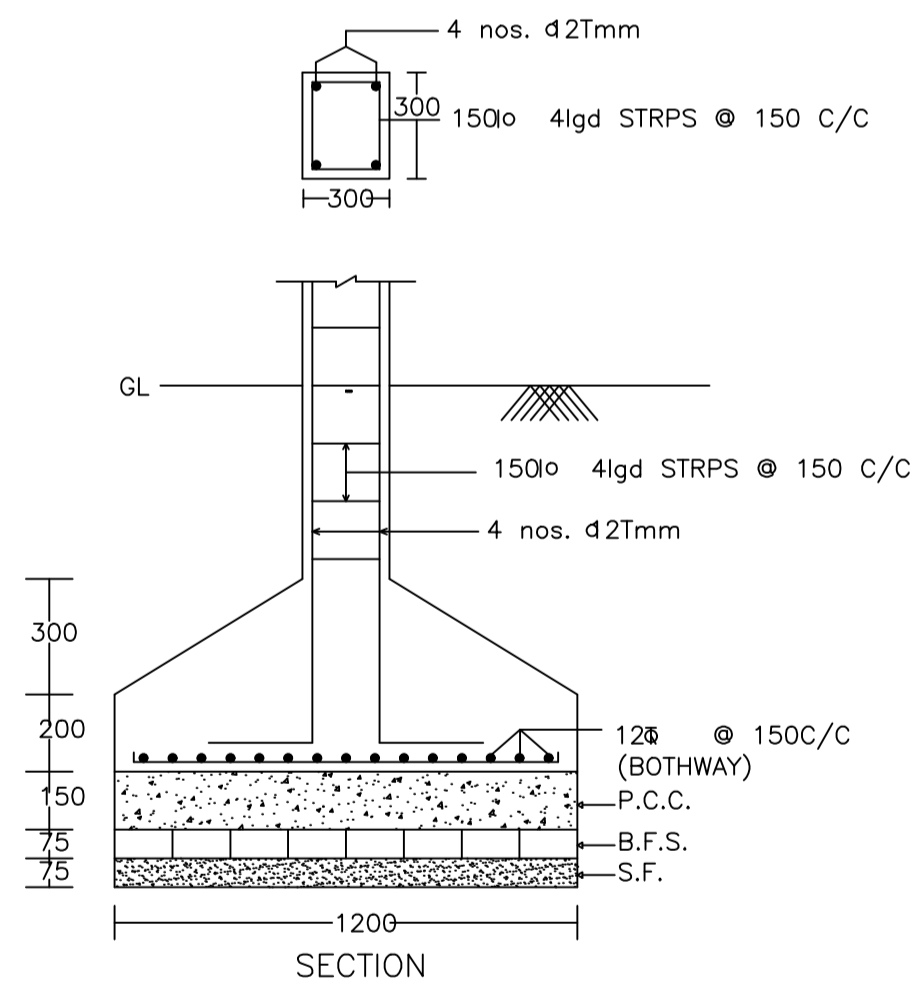
PLAN OF SEPTIC TANK



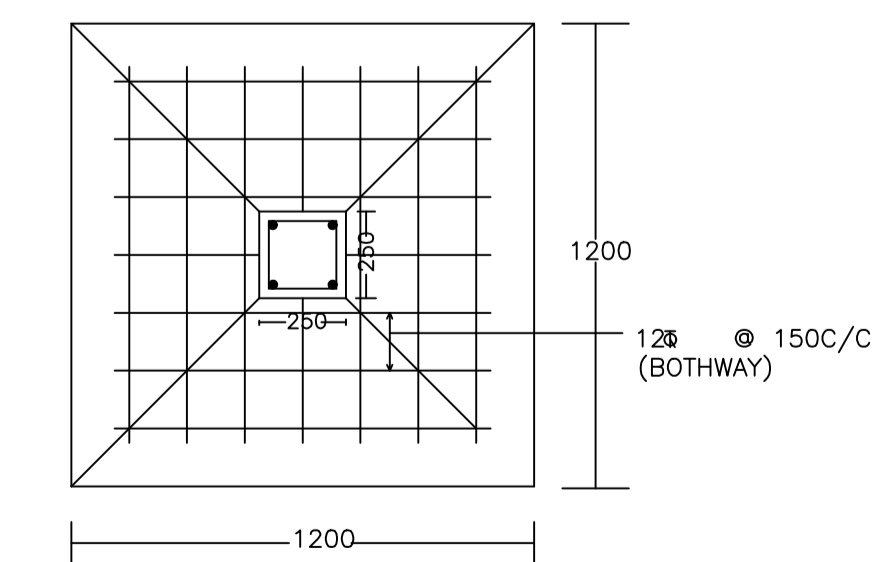
SECTION AT Y-Y



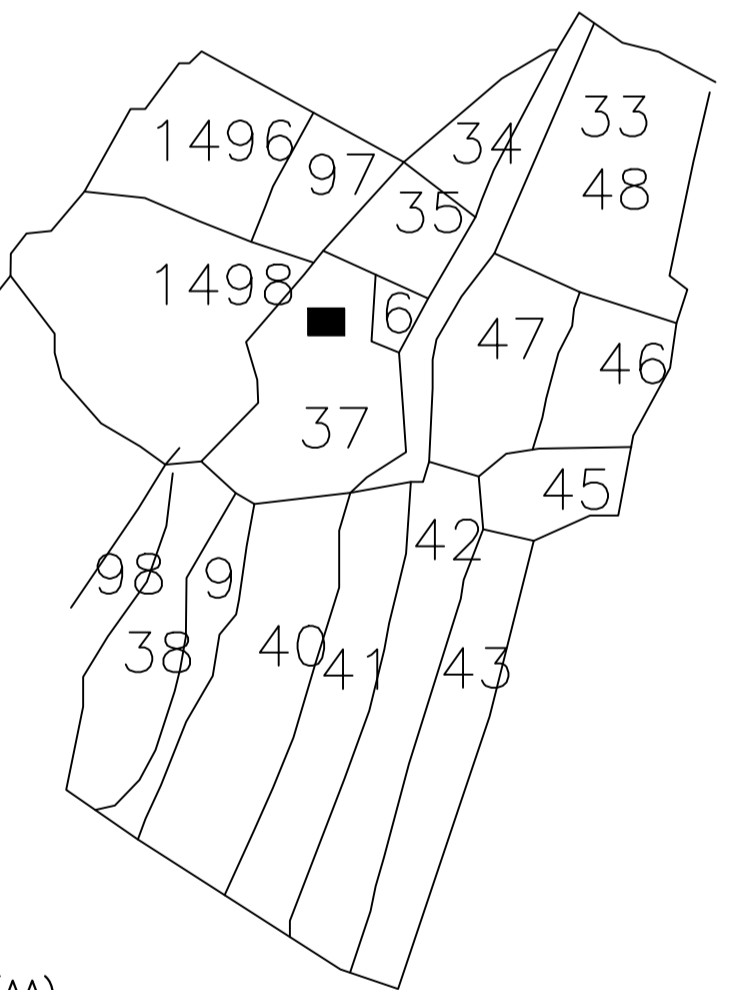
PLAN OF RECHARGE WELL



SECTION



DETAIL OF COLUMNS



Floor Name	Total Built Up Area (Sq.mt.)	Proposed FAR Area (Sq.mt.)	Total FAR Area (Sq.mt.)	Total Consumed Additional FAR Area (Sq.mt.)	Trmt (No.)
Ground Floor	125.85	125.85	125.85	125.85	01
First Floor	125.85	125.85	125.85	125.85	00
Terrace Floor	0.00	0.00	0.00	0.00	00
Total :	251.70	251.70	251.70	251.70	01
Total Number of Same Buildings :	1				
Total :	251.70	251.70	251.70	251.70	01

SCHEDULE OF DOOR:

BUILDING NAME	NAME	LENGTH	HEIGHT	NOS
AA (AA)	D2	0.90	2.10	04
AA (AA)	D1	0.93	2.10	01
AA (AA)	D1	0.95	2.10	01
AA (AA)	D1	1.05	2.10	05
AA (AA)	D2	1.05	2.10	01
AA (AA)	D	3.05	2.10	01

SCHEDULE OF WINDOW/VENTILATION:

BUILDING NAME	NAME	LENGTH	HEIGHT	NOS
AA (AA)	V	0.60	1.20	03
AA (AA)	W2	0.90	1.20	02
AA (AA)	W2	1.20	1.20	02
AA (AA)	W	1.80	1.20	18

COLOR INDEX

PLOT BOUNDARY	Black
ABUTTING ROAD	Green
PROPOSED CONSTRUCTION	Red
COMMON PLOT	Yellow
ROAD WIDENING AREA	Blue
EXISTING (To be retained)	Blue
EXISTING (To be demolished)	Yellow

Buildingwise Floor FAR Details

Floor Name	Building Name AA (AA)		Total	
	Proposed Built Up Area (Sq.mt.)	Proposed FAR Area (Sq.mt.)	Total Proposed Built Up Area (Sq.mt.)	Total FAR Area (Sq.mt.)
Ground Floor	125.85	125.85	125.85	125.85
First Floor	125.85	125.85	125.85	125.85
Terrace Floor	0.00	0.00	0.00	0.00
Total :	251.70	251.70	251.70	251.70

Building USE/SUBUSE Details

Building Name	Building Use	Building SubUse	Building Structure
AA (AA)	Residential	Bungalow/ Dwelling / Non Apartment	Non-Highrise

FAR & Tenement Details (Table 4c-1)

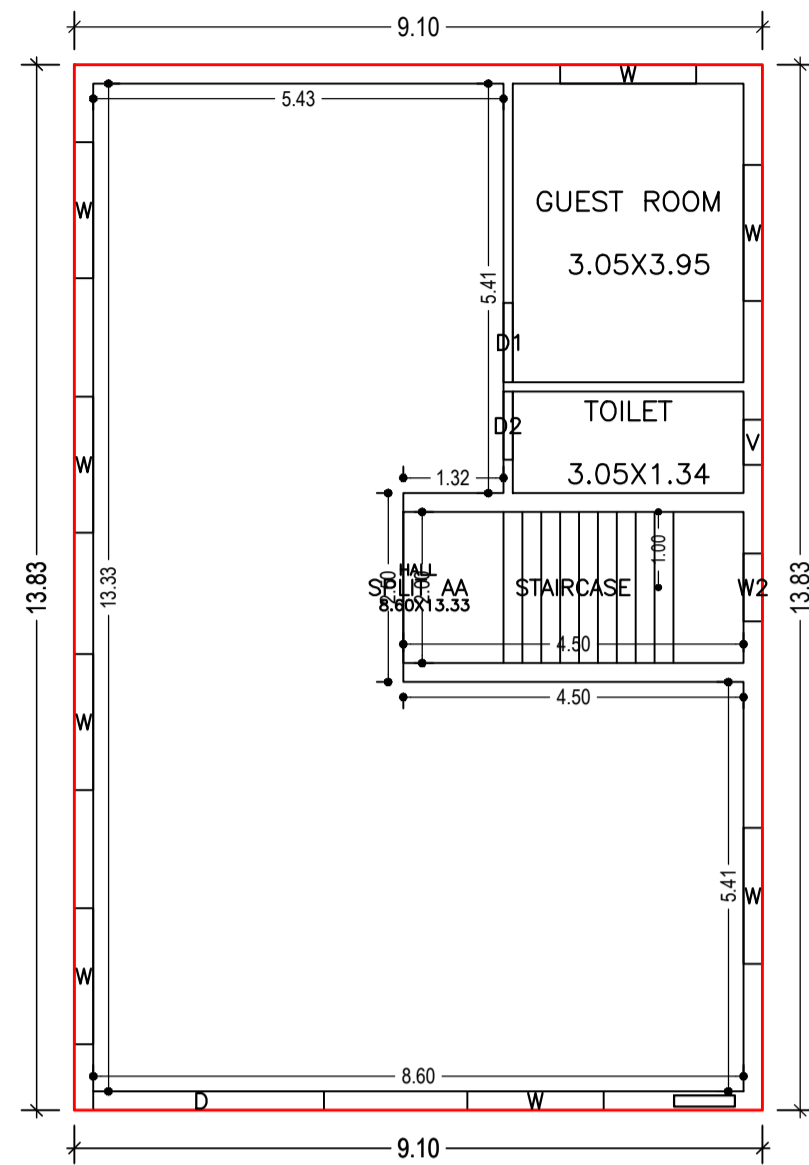
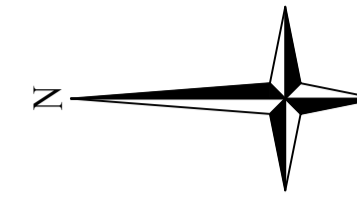
Building	No. of Same Bldg	Total Built Up Area (Sq.mt.)	Proposed FAR Area (Sq.mt.)	Total FAR Area (Sq.mt.)	Total Consumed Additional FAR Area (Sq.mt.)	Trmt (No.)
AA (AA)	1	251.70	251.70	251.70	251.70	01
Grand Total :	1	251.70	251.70	251.70	251.70	01

UnitBUA Table for Building :AA (AA)

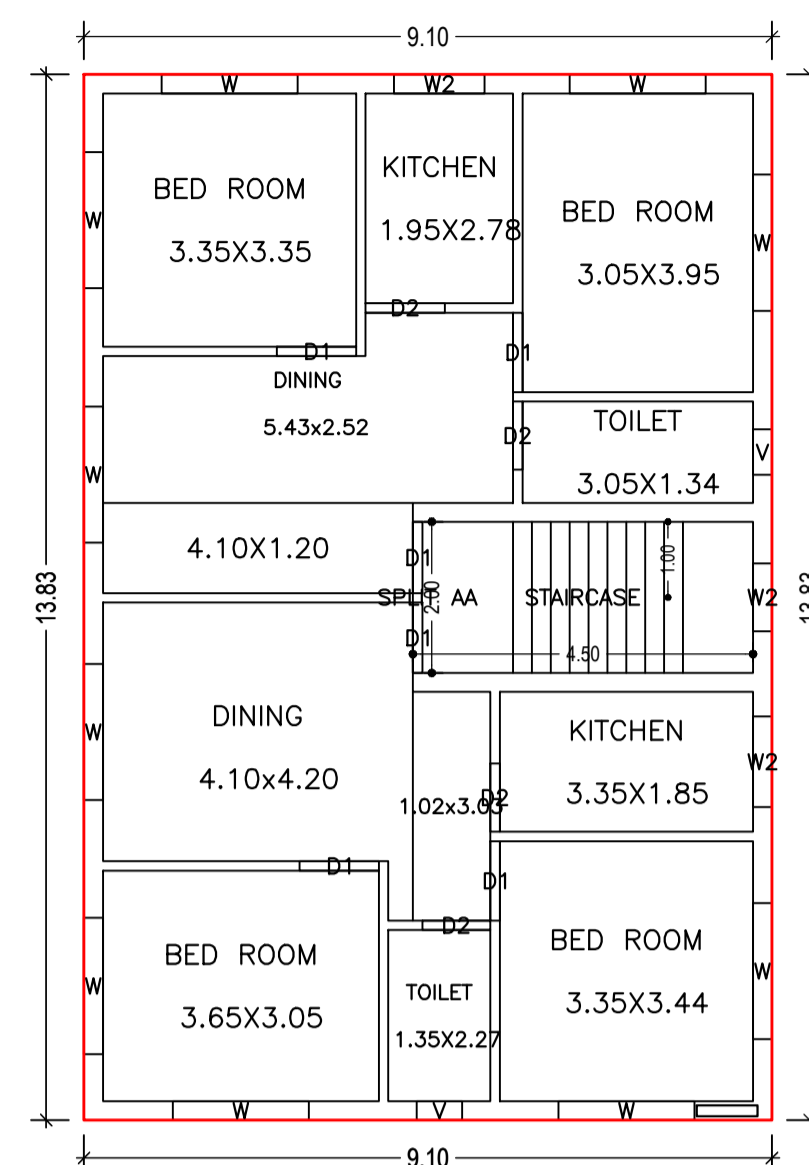
FLOOR	Name	UnitBUA Type	UnitBUA Area	Carpet Area	No. of Rooms	No. of Tenement
GROUND FLOOR PLAN	SPLIT AA	FLAT	251.71	251.47	3	1
FIRST FLOOR PLAN	SPLIT AA	FLAT	0.00	0.00	10	0
Total:	-	-	251.71	251.47	13	1

LTP NAME AND SIGNATURE RAJEEV RANJAN SINGH MADA/ENG/0004/2019	STRUCTURAL ENG'S NAME AND SIGNATURE	BUILDER NAME AND SIGNATURE	DIGITAL SIGNATURE
---	-------------------------------------	----------------------------	-------------------

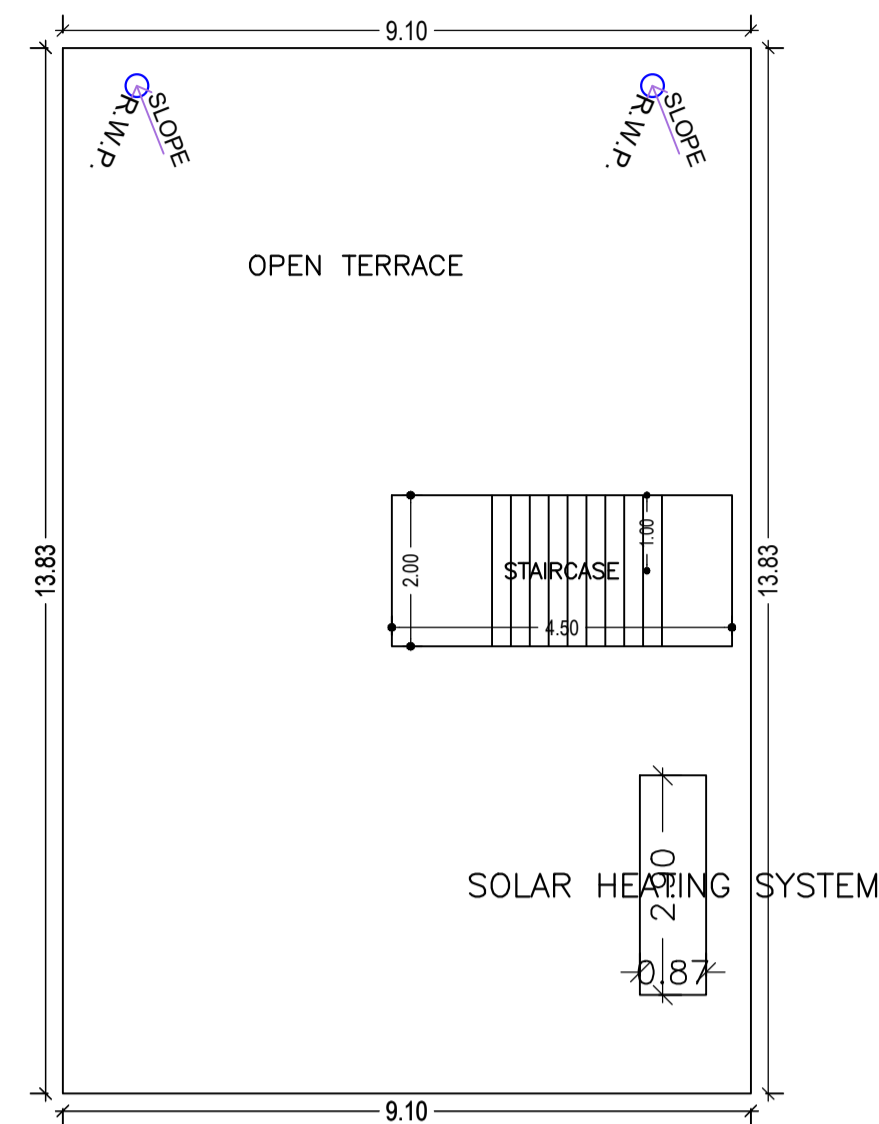
Proposal Basic Information	
Proposal File No.	MADA/BP/0313/2022
Owner Name	SRI SANTOSH KUMAR
Khata No	86(OLD), 114(NEW)
Plot No	41(old) 37(new)
Village Name	Ranguni
Use	Residential
SubUse	Bungalow/ Dwelling / Non Apartment



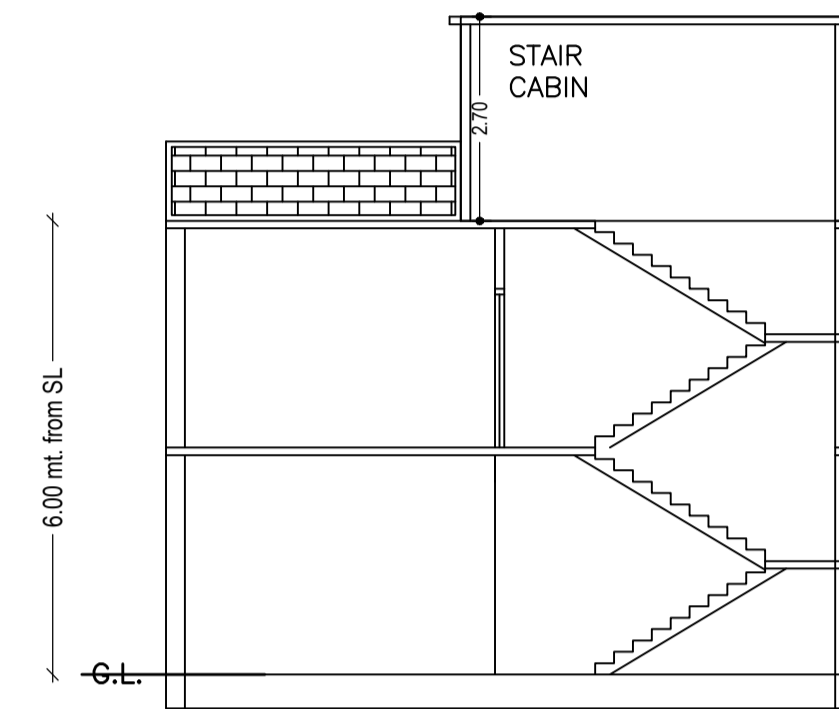
GROUND FLOOR PLAN  
(Proposed)  
(SCALE 1:100)



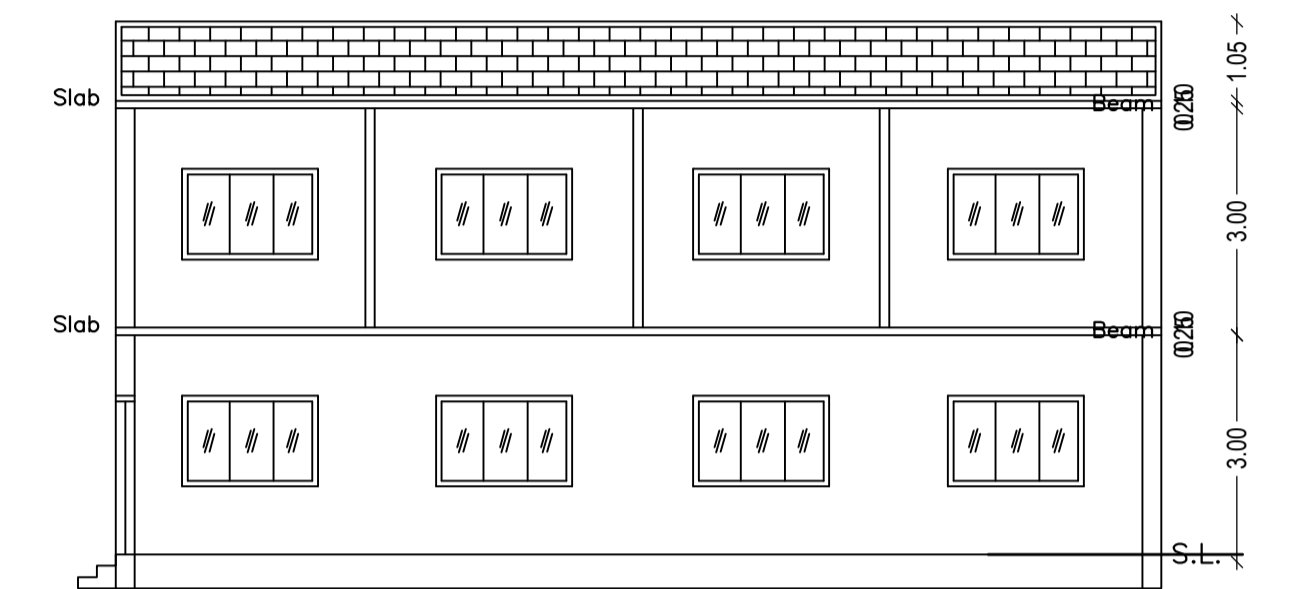
FIRST FLOOR PLAN  
(Proposed)  
(SCALE 1:100)



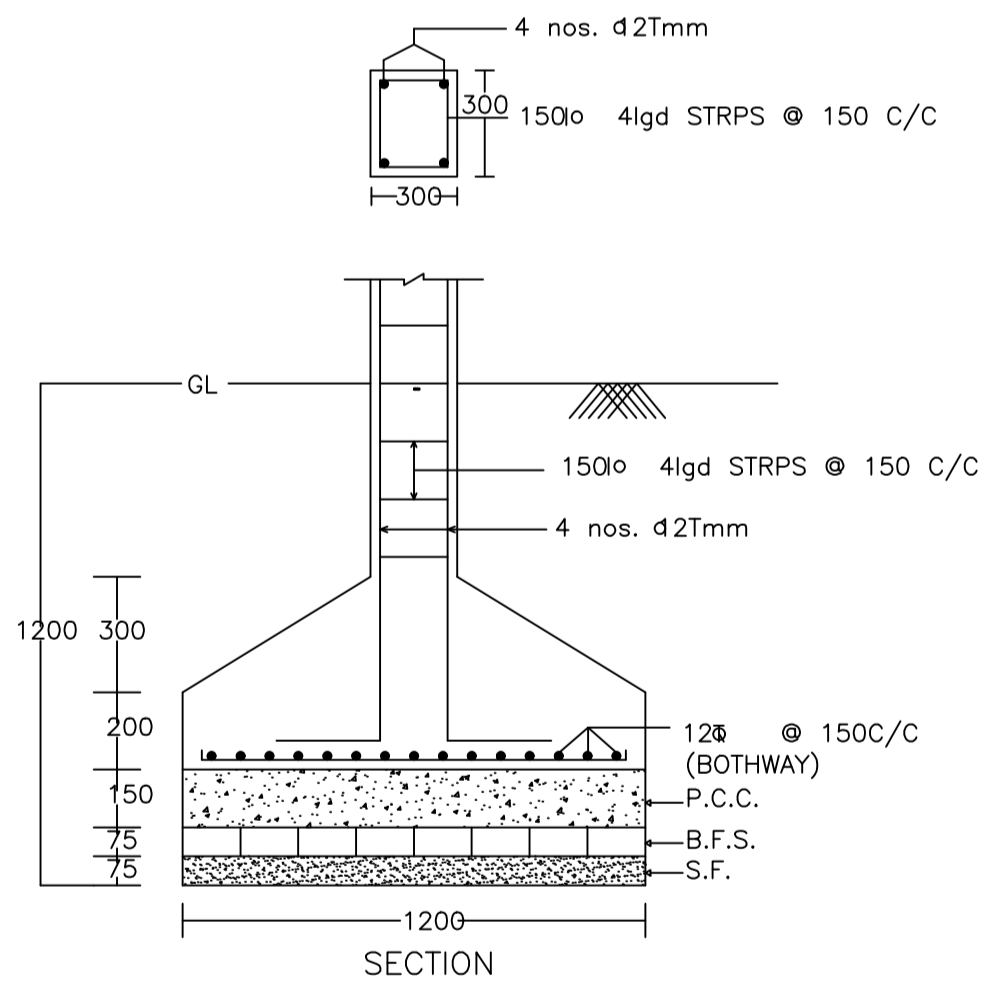
TERRACE FLOOR PLAN  
(SCALE 1:100)



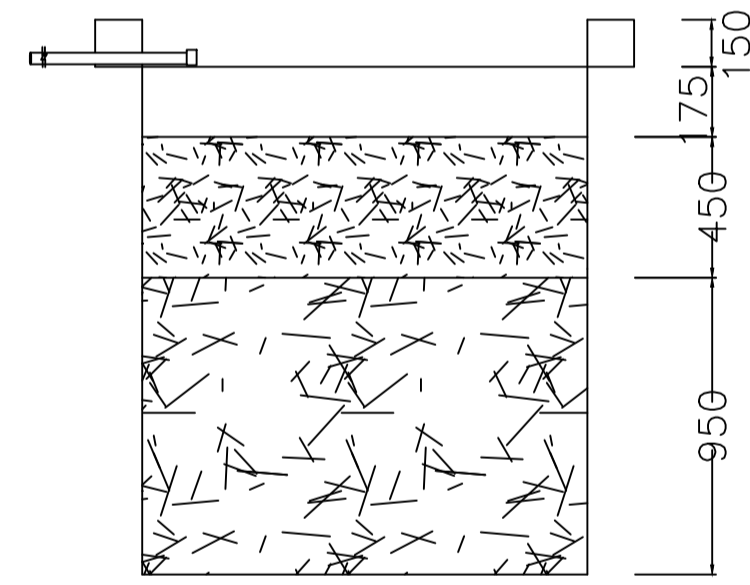
SECTION ON X-X



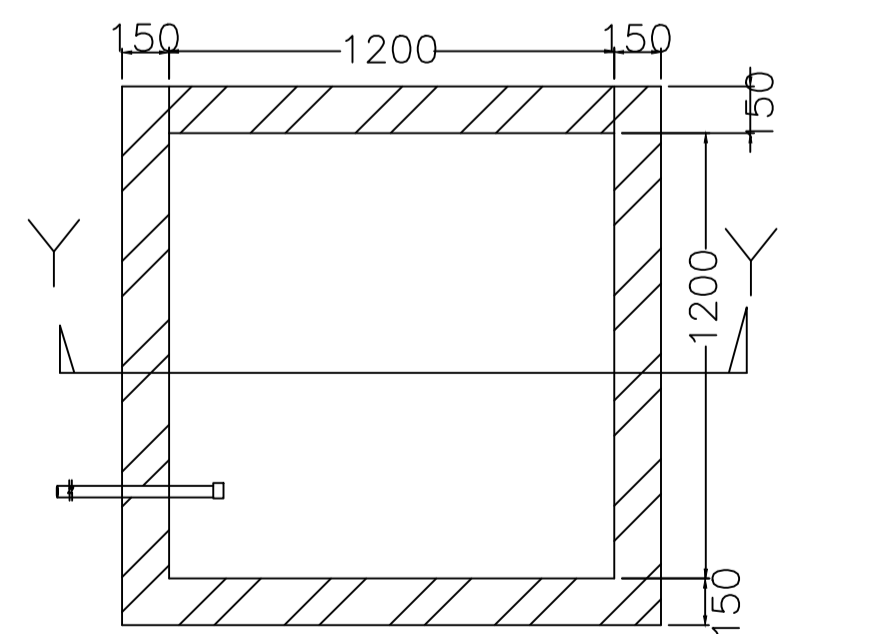
SECTION ON Y-Y



DETAIL OF COLUMNS

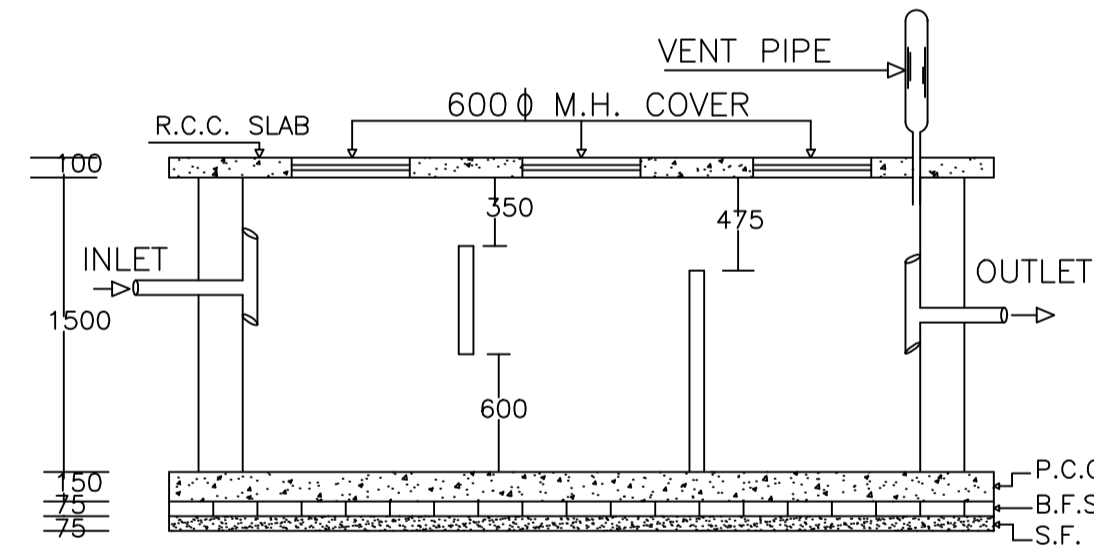


SECTION AT Y-Y

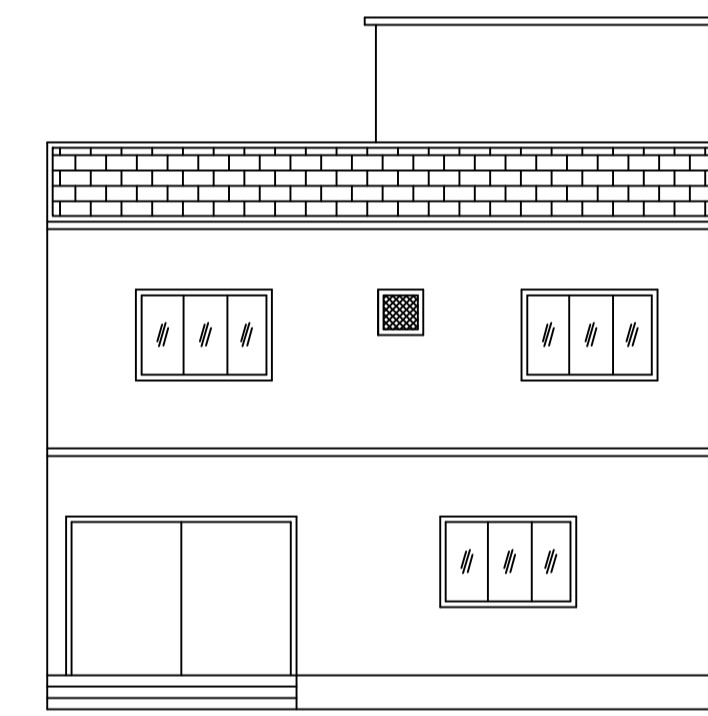
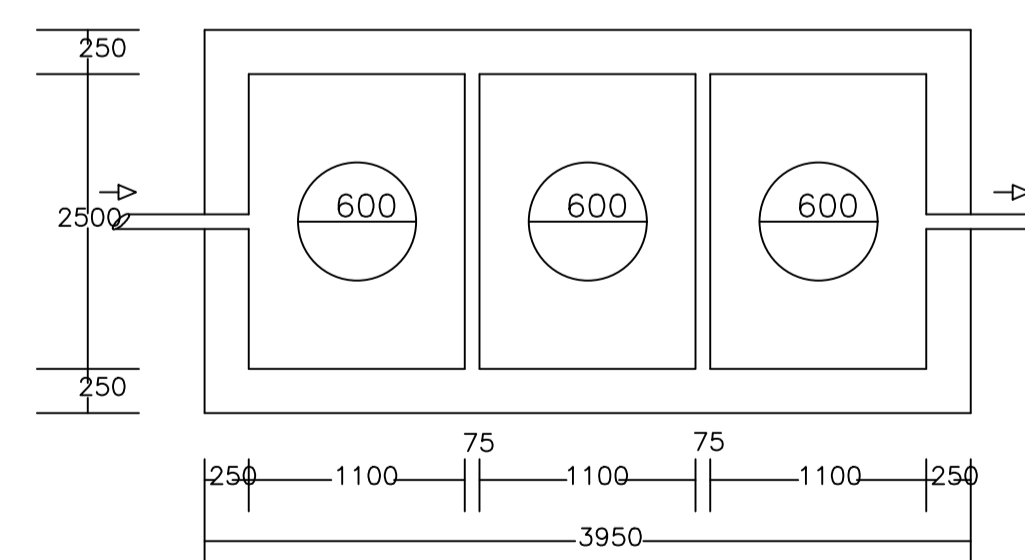


PLAN OF RECHARGE WELL

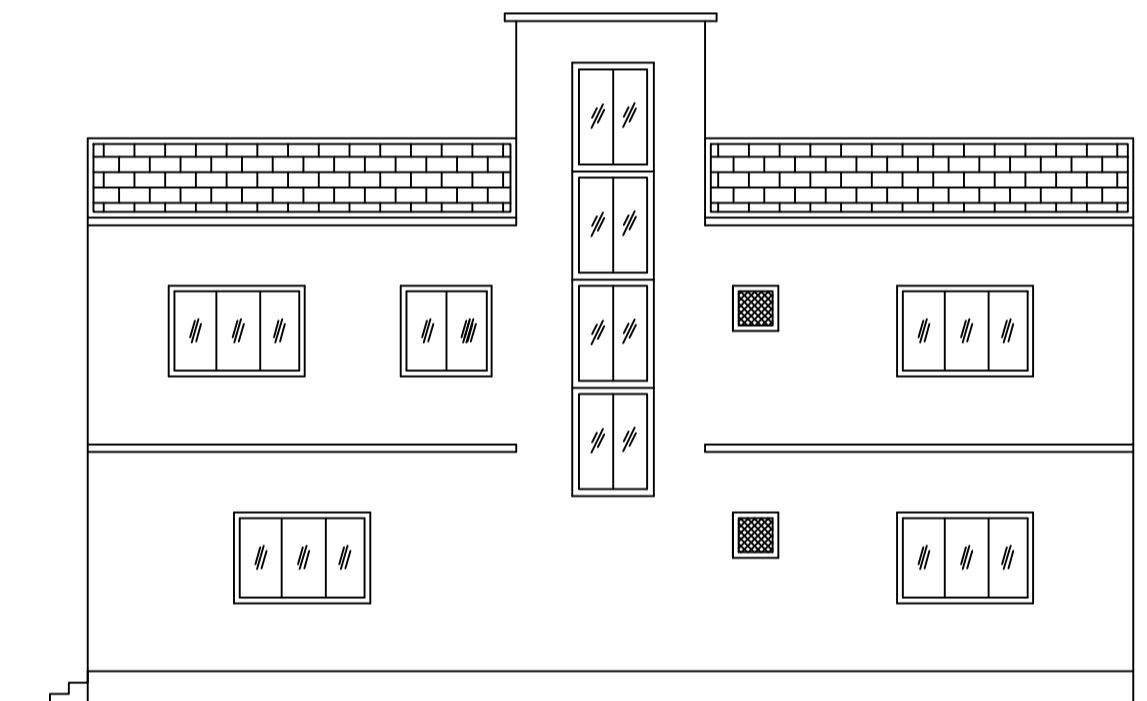
WATER HARVESTING



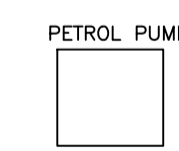
PLAN OF SEPTIC TANK



FRONT ELEVATION

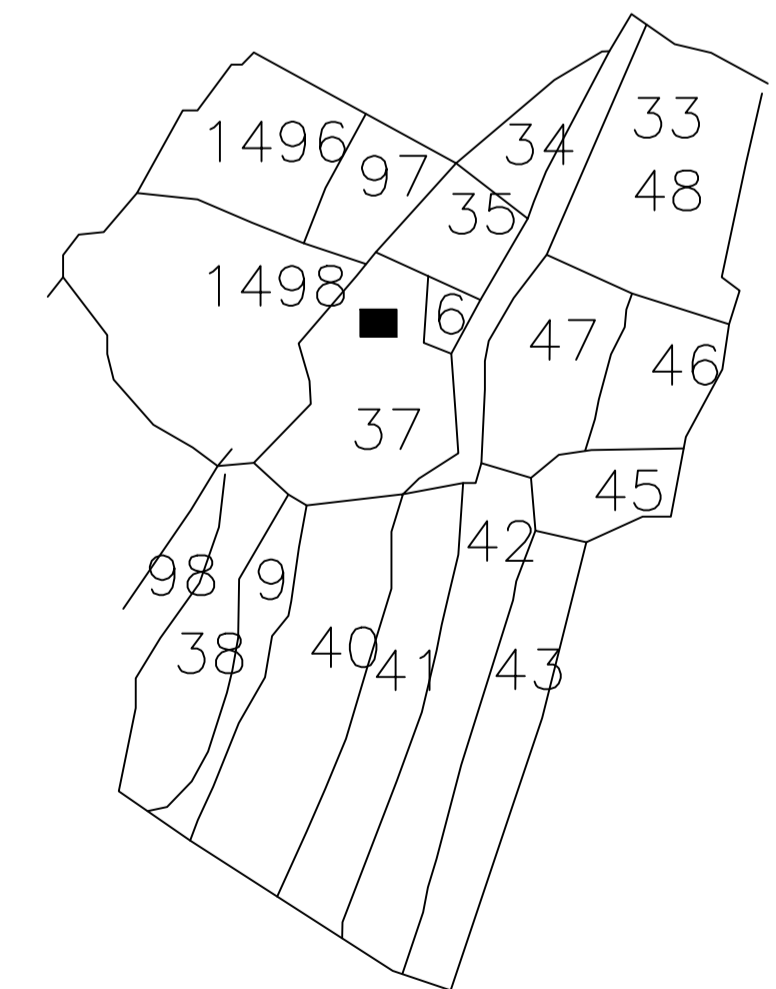
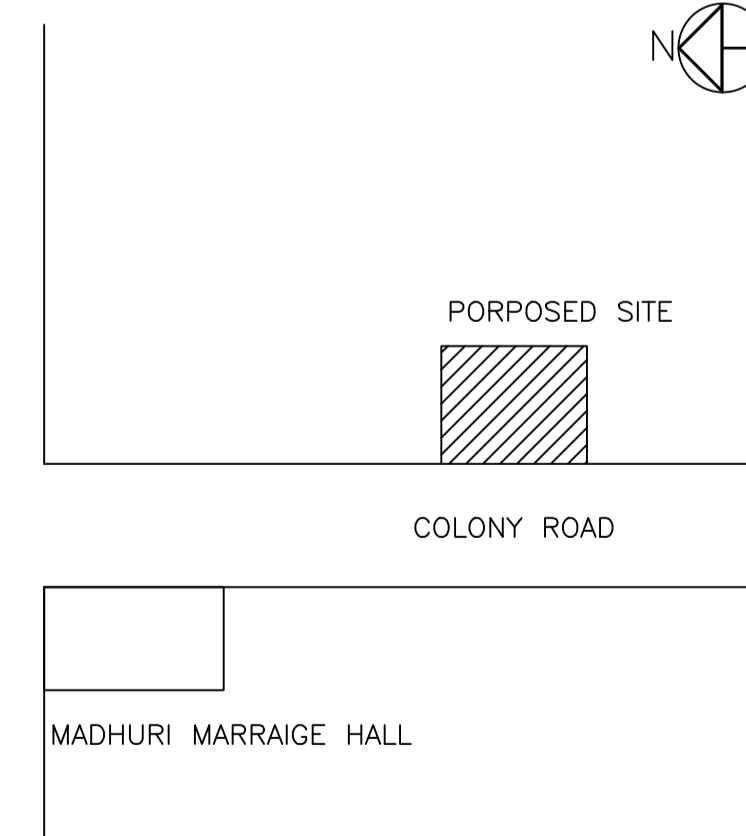


RIGHT SIDE ELEVATION



PETROL PUMP

TO VINOD BIHARI CHOWK  
TO KATRAS



LTP NAME AND SIGNATURE	STRUCTURAL ENG'S NAME AND SIGNATURE	BUILDER NAME AND SIGNATURE	DIGITAL SIGNATURE
RAJEEV RANJAN SINGH MADA/ENG/0004/2019			