

Proposal Basic Information	
Proposal File No.	MADA/BP/0405/2023
Owner Name	SRI. RADHA MOHAN SINGH
Khata No	KHATA NO-134
Plot No	PLOT NO-2561
Village Name	Khamarbendi
Use	Residential
SubUse	Bungalow/ Dwelling / Non Apartment

AREA STATEMENT MINERAL AREA DEVELOPMENT AUTHORITY		VERSION NO. : 1.0.70
PROJECT DETAIL:		VERSION DATE: 16/10/2020
Region: JHARKHAND URBAN LOCAL BODIES	Plot Use: Residential	
District: DHANBAD	Plot SubUse: Bungalow/ Dwelling / Non Apartment	
Authority: MINERAL AREA DEVELOPMENT AUTHORITY	PlotNearby/ReligiousStructure: NA	
Inward No: MADA/BP/0405/2023	Plot/SuPlot No: PLOT NO-2561	
Application Type: General Proposal	North: Plot No. - PLOT NO- KW-4	
Project Type: Building Permission	South: Plot No. - PLOT NO- KW-2	
Nature of Development: New	East: Plot No. - PLOT NO- V-2 & V-3	
Location of Development Area: Old Area	West: Road Width - 6.10	
AREA DETAILS:		SQ.MT.
AREA OF PLOT (Minimum)	(A)	153.03
NET AREA OF PLOT(Gross Plot Area - Deduction from Gross Plot area)	(A-Deductions)	153.03
Deduction for Balance Plot Area(from Gross Plot Area)		
Common Plot		13.29
Total		13.29
BALANCE AREA OF PLOT(Net Plot Area - Recreational/Amenity spaces)	(A-Deductions)	139.74
PLOT AREA FOR COVERAGE(Net Plot Area)	(A-Deductions)	153.03
Plot Area for FAR (Net Plot Area + RoadWidening Area)	(A-Deductions)	153.03
COVERAGE CHECK		
Permissible Coverage area (70.00 %)		107.12
Proposed Coverage Area (59.25 %)		90.68
Total Prop. Coverage Area (59.25 %)		90.68
Balance coverage area (10.74 %)		16.44
FAR CHECK		
Perm. FAR Area (2.500)		382.58
Total Perm. FAR area		382.58
Residential FAR		180.37
Proposed FAR Area		180.37
Total Proposed FAR Area		180.37
Consumed FAR (Factor)		1.18
Balance FAR Area		202.21
BUILT UP AREA CHECK		
Total Proposed BuiltUp Area		180.36
ARCHITECT (Regd)		RAM PRATAP SINGH
ENGINEER (Regd)		
SUPERVISOR (Regd)		
OWNER (Regd)		SRI RADHA MOHAN SINGH
DEVELOPMENT AUTHORITY		LOCAL BODY

COLOR INDEX	
PLOT BOUNDARY	
ABUTTING ROAD	
PROPOSED CONSTRUCTION	
COMMON PLOT	
ROAD WIDENING AREA	
EXISTING (To be retained)	
EXISTING (To be demolished)	

Floor Name	Building Name		Total	
	Proposed Built Up Area (Sq.mt.)	Proposed FAR Area (Sq.mt.)	Total Proposed Built Up Area (Sq.mt.)	Total FAR Area (Sq.mt.)
Ground Floor	90.68	90.68	90.68	90.68
First Floor	89.68	89.68	89.68	89.68
Terrace Floor	0.00	0.00	0.00	0.00
Total :	180.36	180.36	180.36	180.36

Building USE/SUBUSE Details			
Building Name	Building Use	Building SubUse	Building Structure
A (RADHA MOHAN SINGH)	Residential	Bungalow/ Dwelling / Non Apartment	Non-Highrise

FAR & Tenement Details (Table 4c-1)						
Building	No. of Same Bldg	Total Built Up Area (Sq.mt.)	Proposed FAR Area (Sq.mt.)	Total FAR Area (Sq.mt.)	Total Consumed Additional FAR Area (Sq.mt.)	Tnmt (No.)
A (RADHA MOHAN SINGH)	1	180.36	180.36	180.36	180.36	01
Grand Total :	1	180.36	180.36	180.36	180.36	01

UnitBUA Table for Building :A (RADHA MOHAN SINGH)

FLOOR	Name	UnitBUA Type	UnitBUA Area	Carpet Area	No. of Rooms	No. of Tenement
GROUND FLOOR PLAN	SPLIT 1	FLAT	180.37	178.17	7	1
FIRST FLOOR PLAN	SPLIT 1	FLAT	0.00	0.00	7	0
Total:			180.37	178.17	14	1

SCHEDULE OF DOOR:

BUILDING NAME	NAME	LENGTH	HEIGHT	NOS
A (RADHA MOHAN SINGH)	D	0.76	2.10	04
A (RADHA MOHAN SINGH)	D	0.91	2.10	02
A (RADHA MOHAN SINGH)	D	0.94	2.10	01
A (RADHA MOHAN SINGH)	D	1.02	2.10	01
A (RADHA MOHAN SINGH)	D	1.07	2.10	01
A (RADHA MOHAN SINGH)	D	1.14	2.10	02
A (RADHA MOHAN SINGH)	D	1.16	2.10	02
A (RADHA MOHAN SINGH)	D	1.22	2.10	01

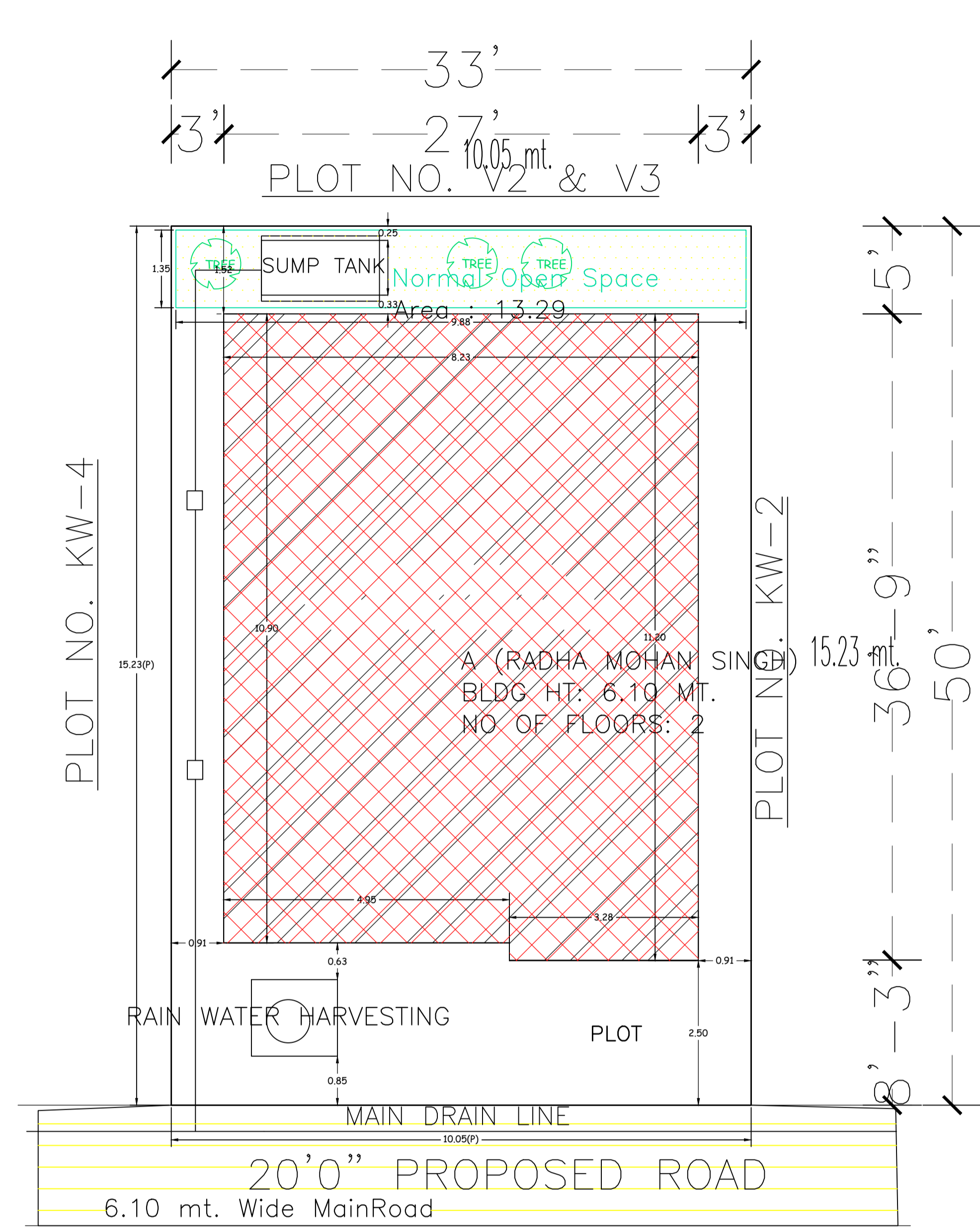
SCHEDULE OF WINDOW/VENTILATION:

BUILDING NAME	NAME	LENGTH	HEIGHT	NOS
A (RADHA MOHAN SINGH)	W	0.76	1.20	03
A (RADHA MOHAN SINGH)	W	0.91	1.20	01
A (RADHA MOHAN SINGH)	W	1.22	1.20	04
A (RADHA MOHAN SINGH)	W	1.52	1.20	10

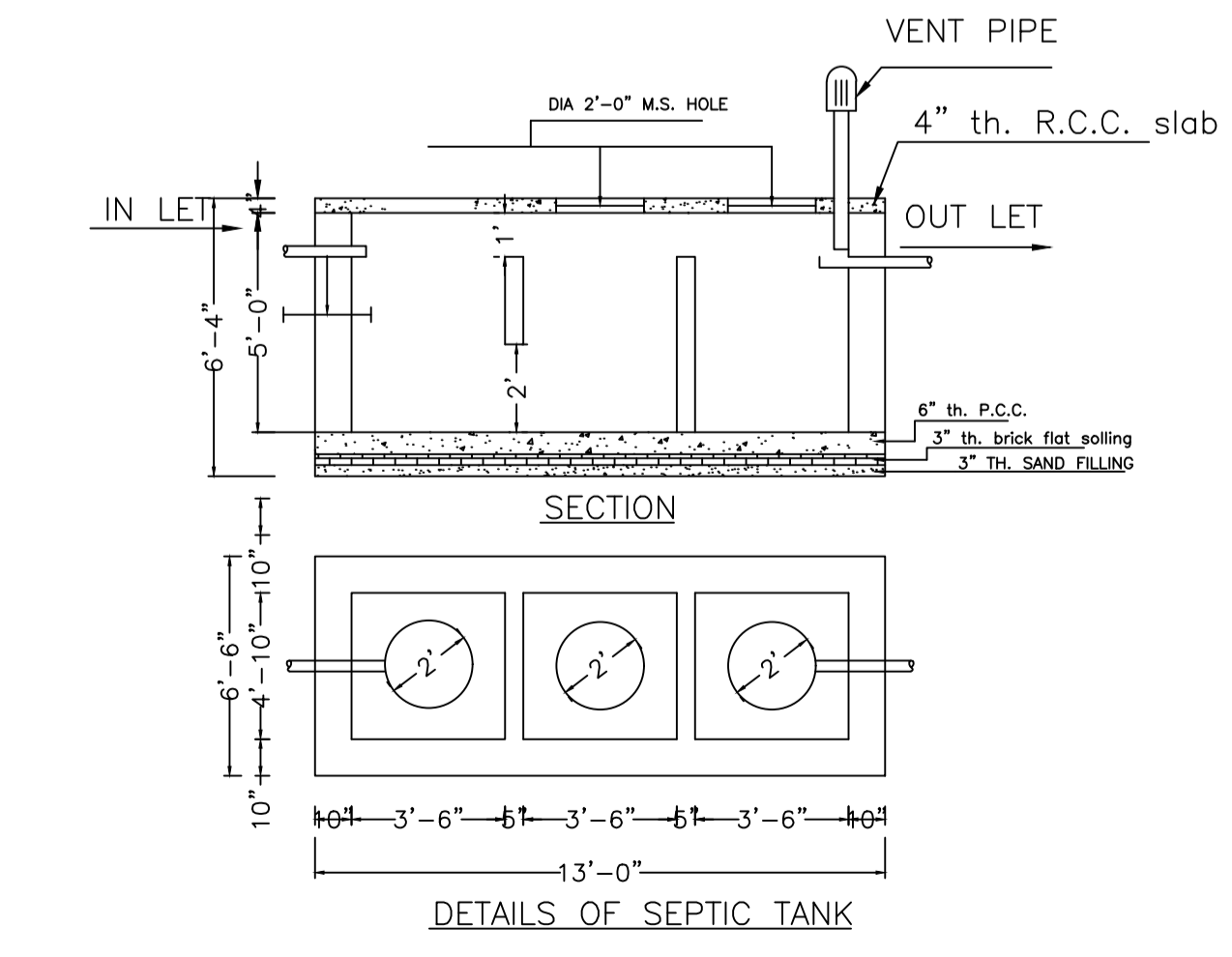
Building :A (RADHA MOHAN SINGH)

Floor Name	Total Built Up Area (Sq.mt.)	Proposed FAR Area (Sq.mt.)	Total FAR Area (Sq.mt.)	Total Consumed Additional FAR Area (Sq.mt.)	Tnmt (No.)
Ground Floor	90.68	90.68	90.68	90.68	01
First Floor	89.68	89.68	89.68	89.68	00
Terrace Floor	0.00	0.00	0.00	0.00	00
Total :	180.36	180.36	180.36	180.36	01
Total Number of Same Buildings :	1	180.36	180.36	180.36	01

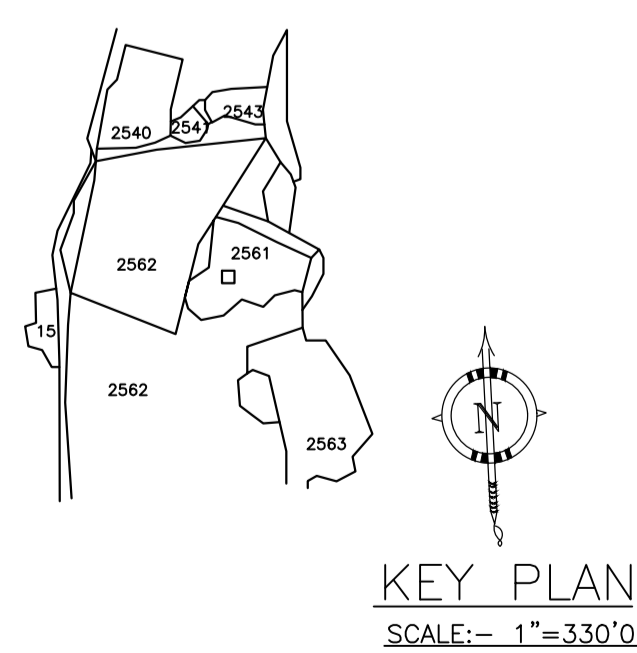
LTP NAME AND SIGNATURE	STRUCTURAL ENG'S NAME AND SIGNATURE	BUILDER NAME AND SIGNATURE	DIGITAL SIGNATURE
RAM PRATAP SINGH MADA/ARC/0024/2019			



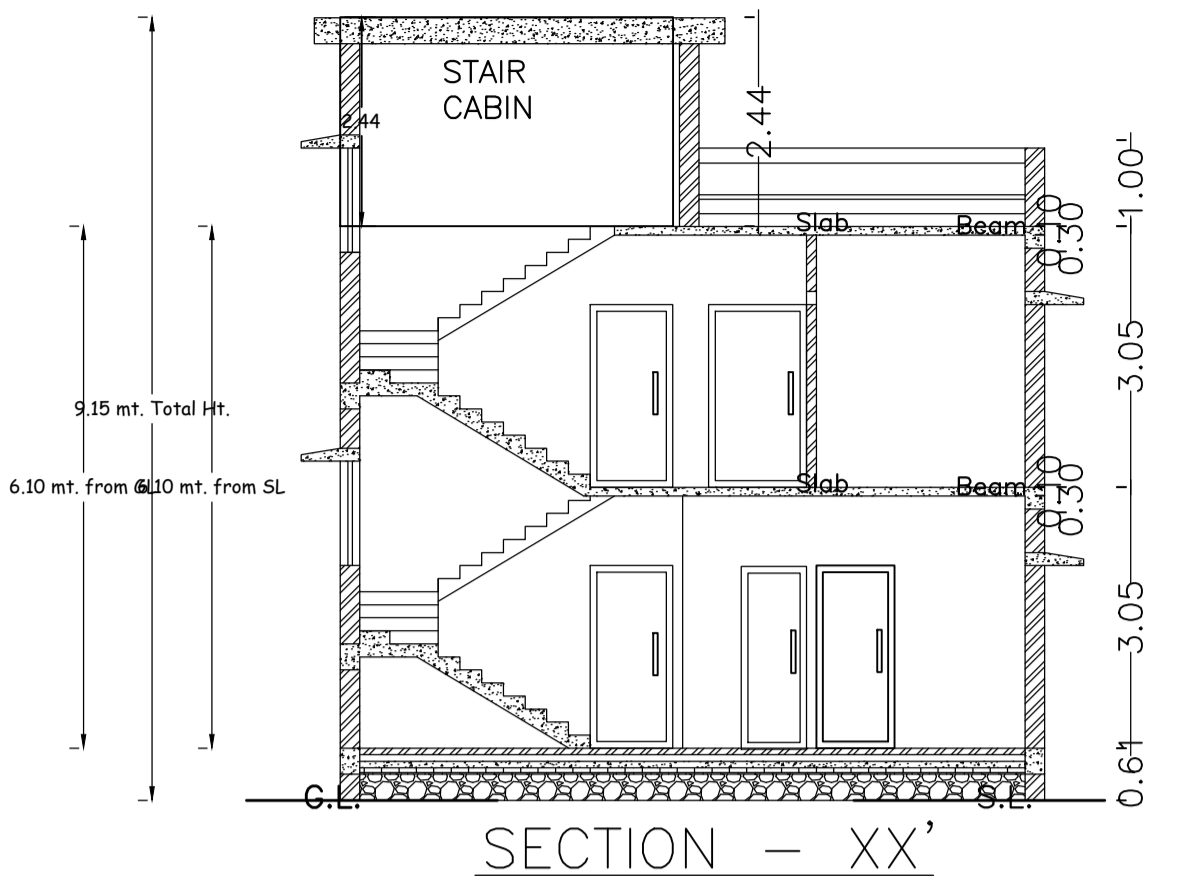
SITE PLAN



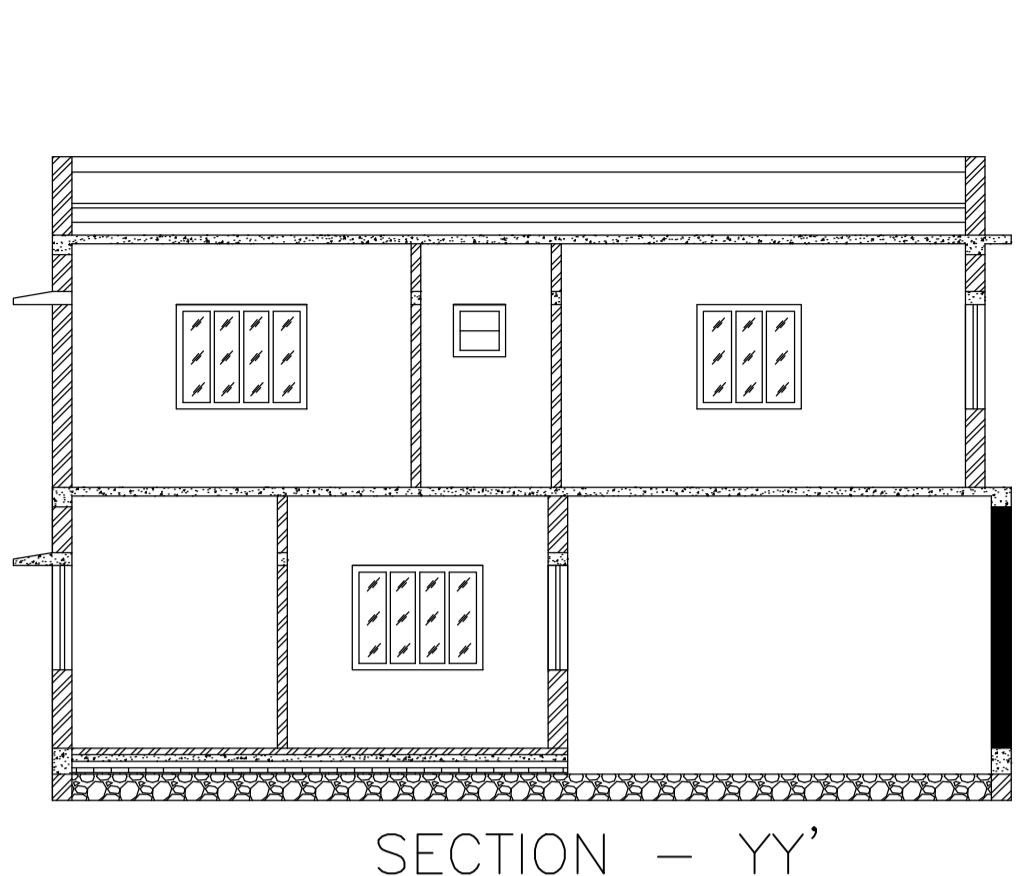
DETAILS OF SEPTIC TANK



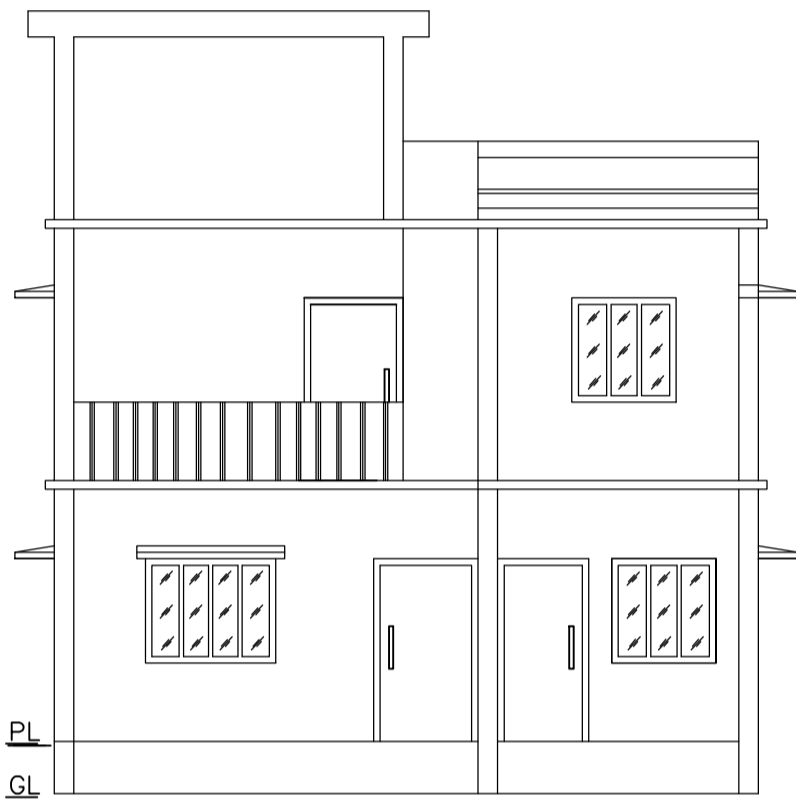
KEY PLAN
SCALE:-- 1"=330'0"



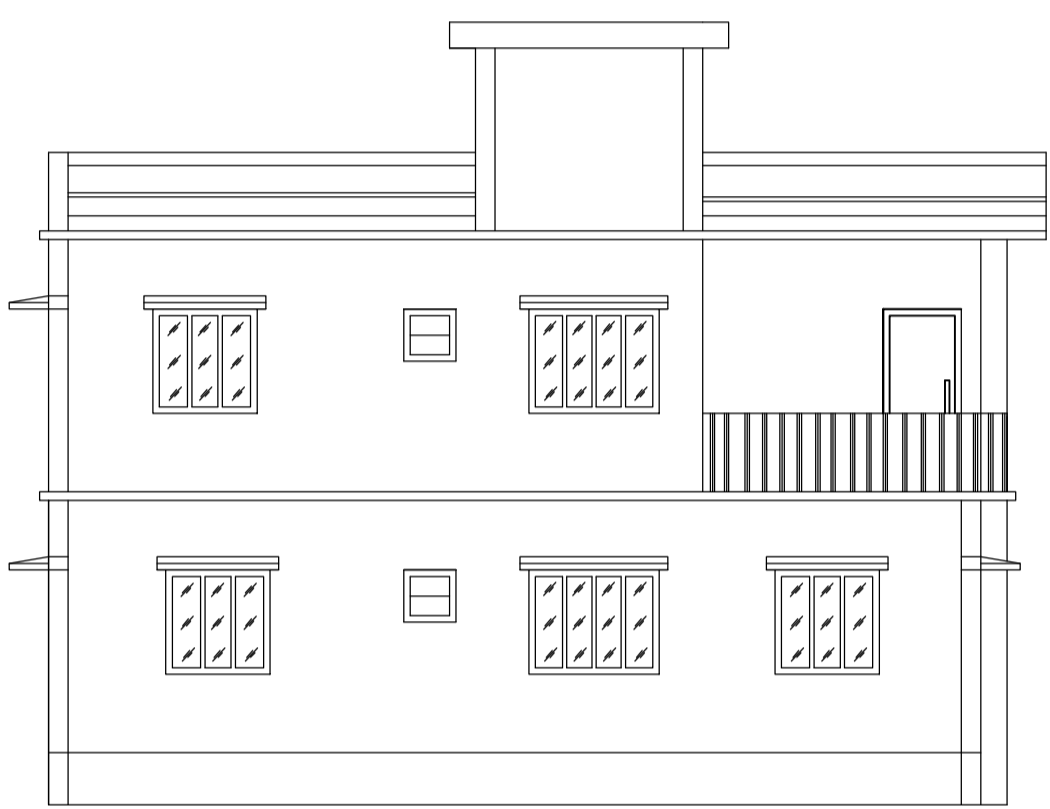
SECTION - XX'



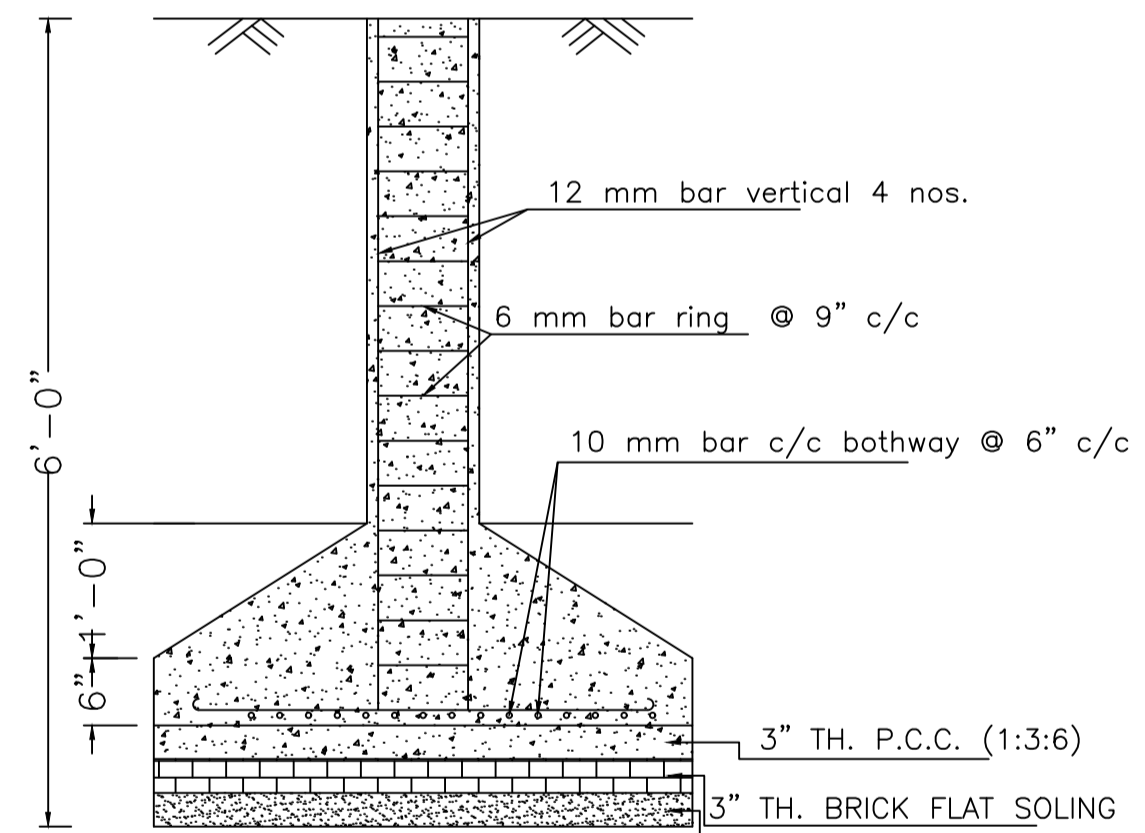
SECTION - YY'



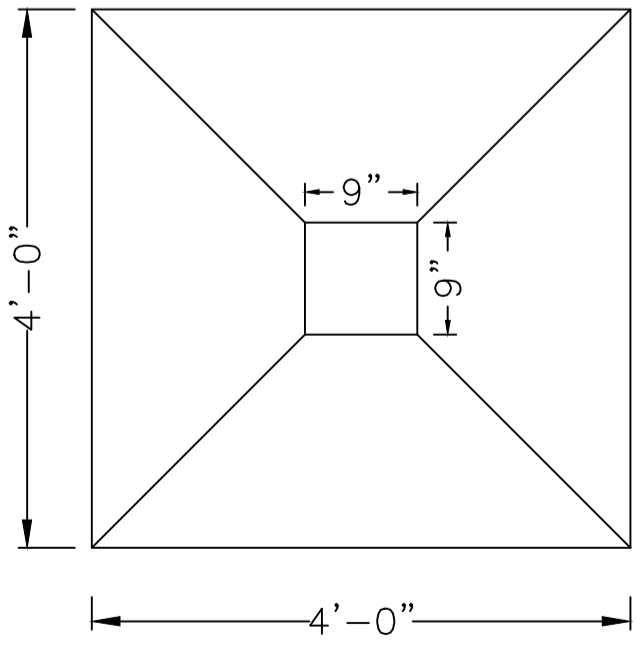
FRONT ELEVATION



LEFT SIDE ELEVATION



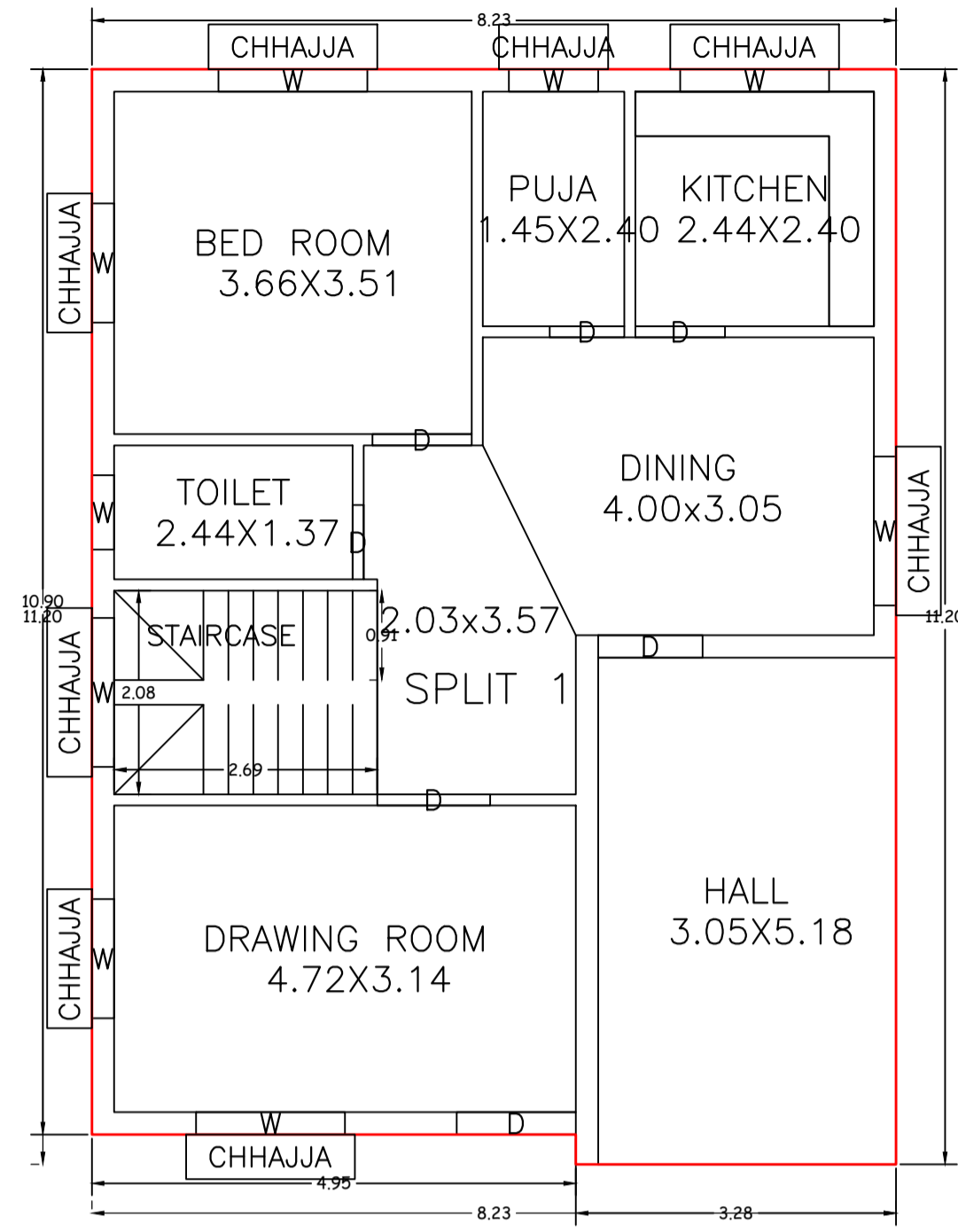
SECTION



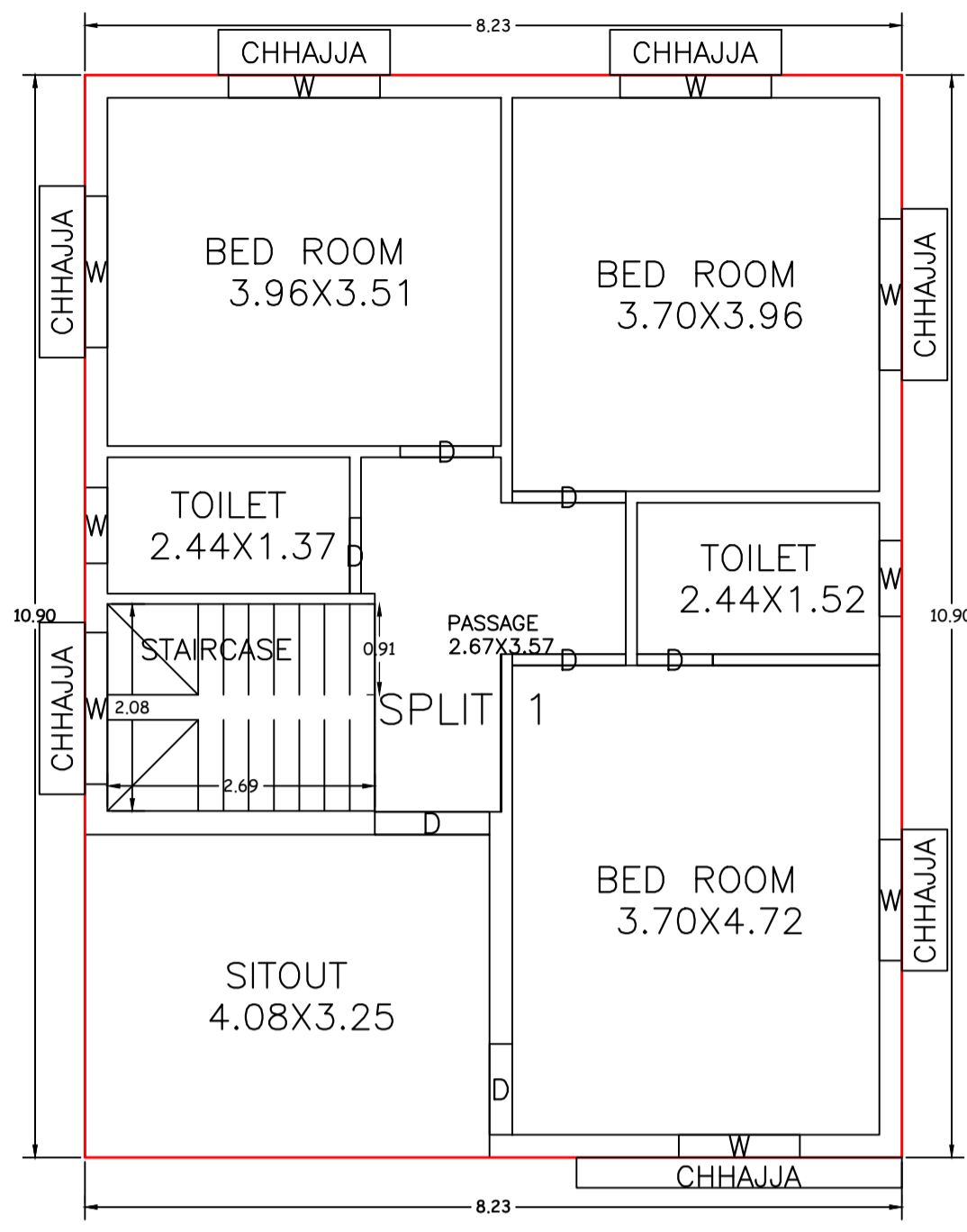
PLAN

DETAILS OF COLUMN FOUNDATION

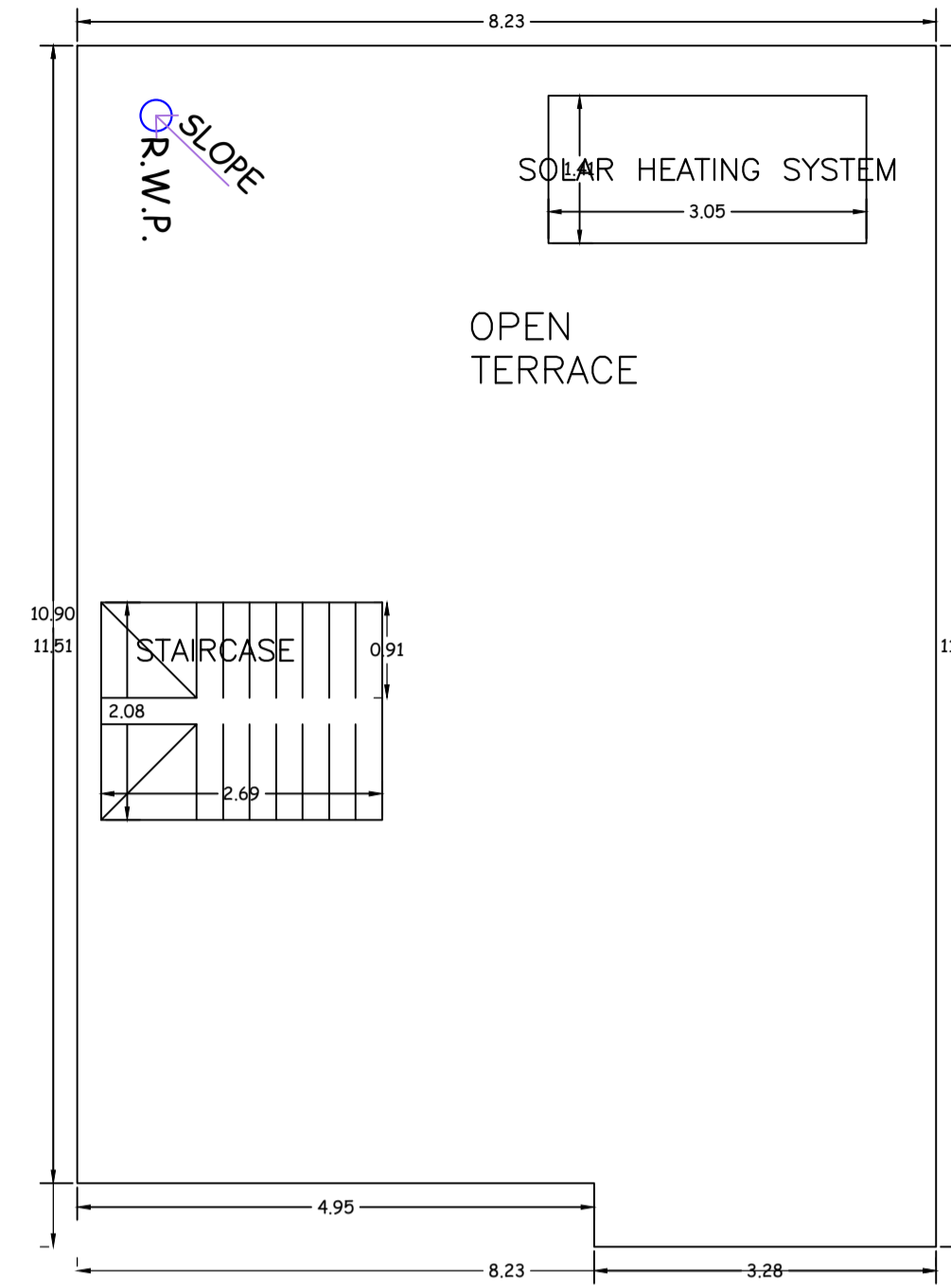
Proposal Basic Information	
Proposal File No.	MADA/BP/0405/2023
Owner Name	SRI. RADHA MOHAN SINGH
Khata No	KHATA NO-134
Plot No	PLOT NO-2561
Village Name	Khamarbendi
Use	Residential
SubUse	Bungalow/ Dwelling / Non Apartment



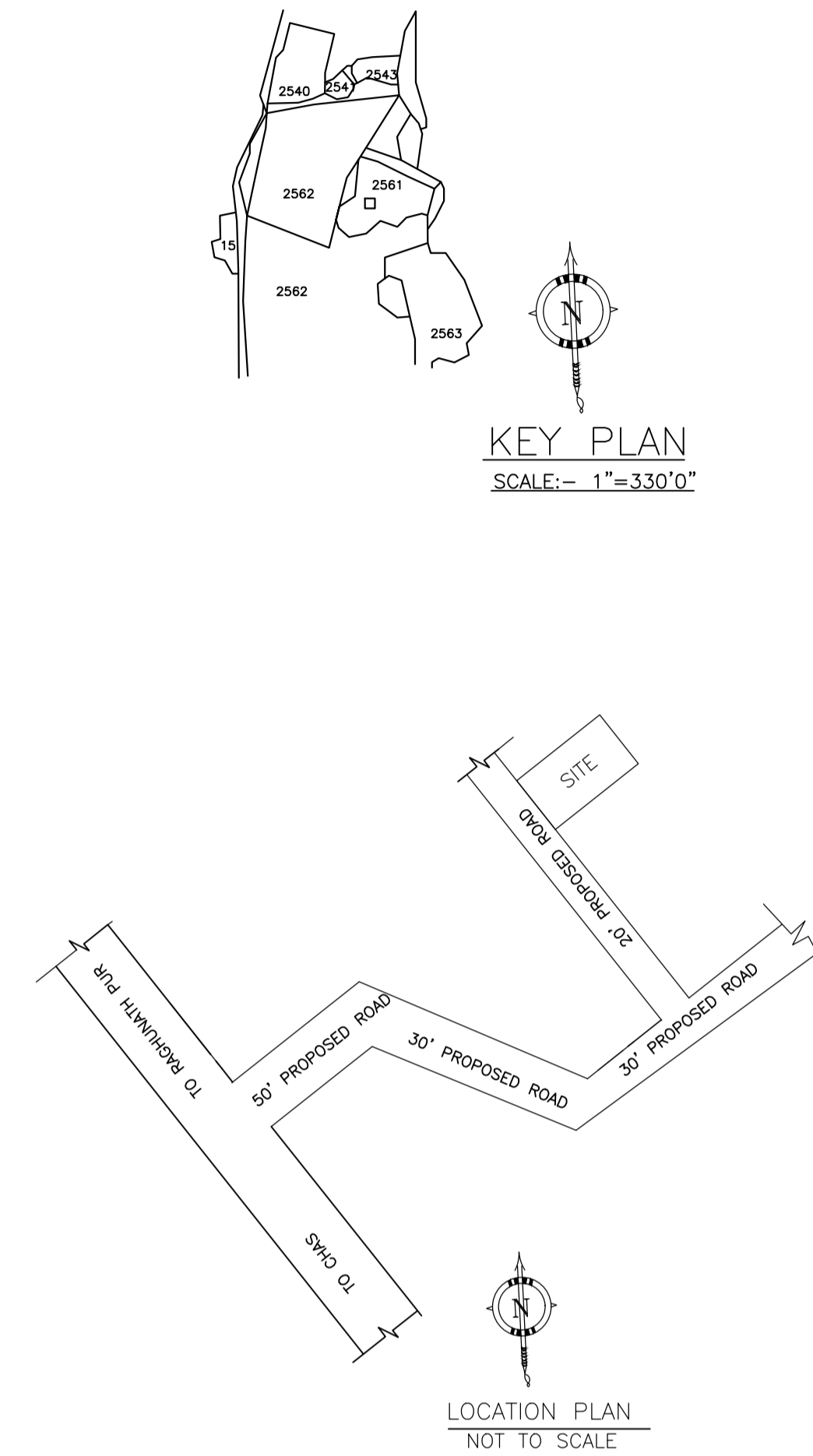
GROUND FLOOR PLAN
(Proposed)
(SCALE 1:100)



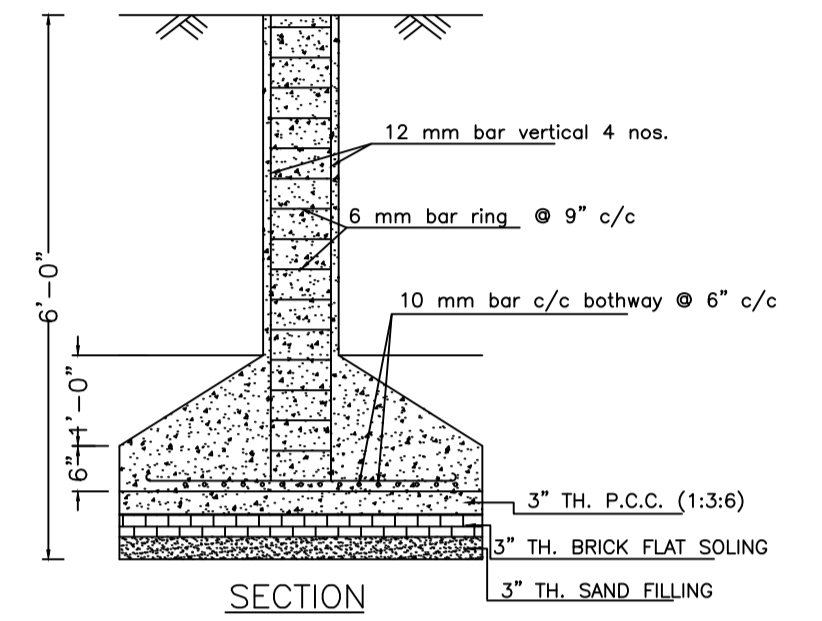
FIRST FLOOR PLAN
(Proposed)
(SCALE 1:100)



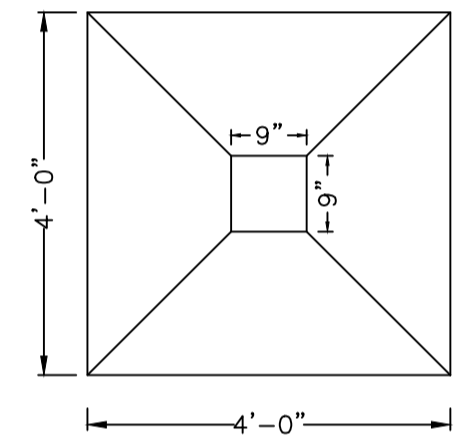
TERRACE FLOOR PLAN
(SCALE 1:100)



LOCATION PLAN
NOT TO SCALE

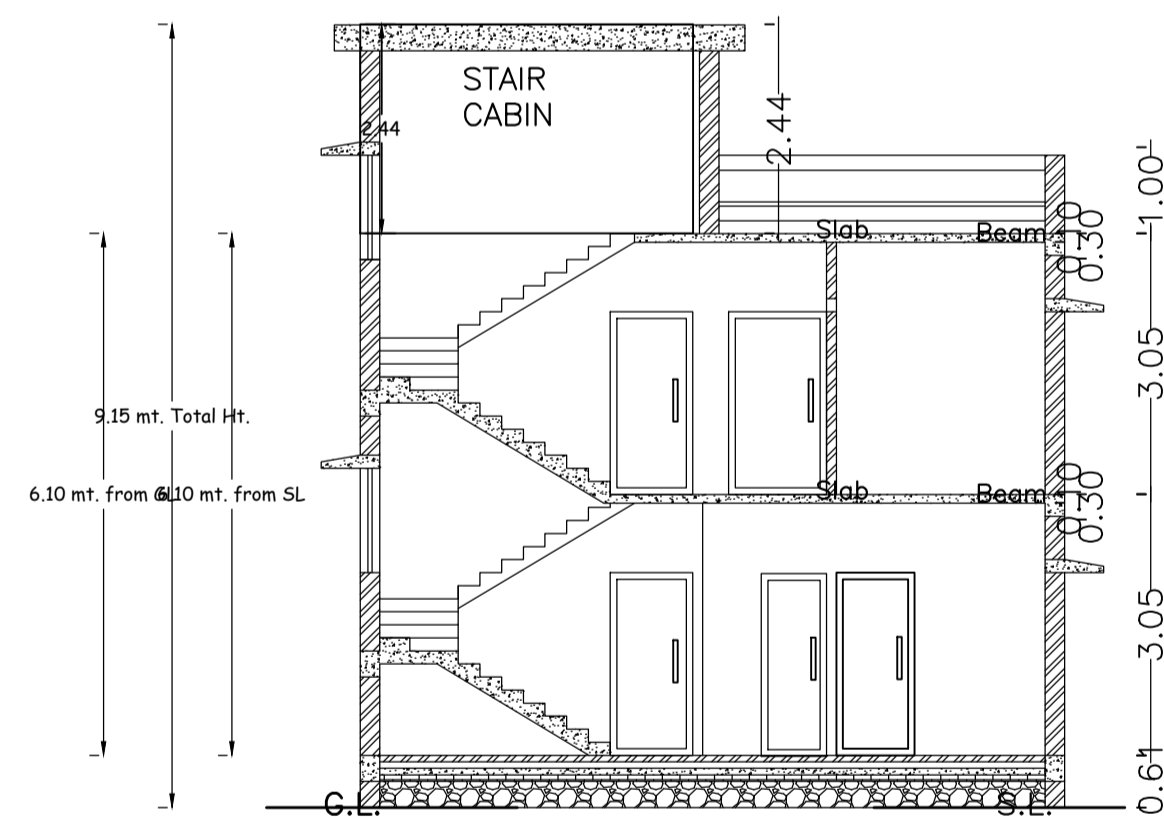


SECTION

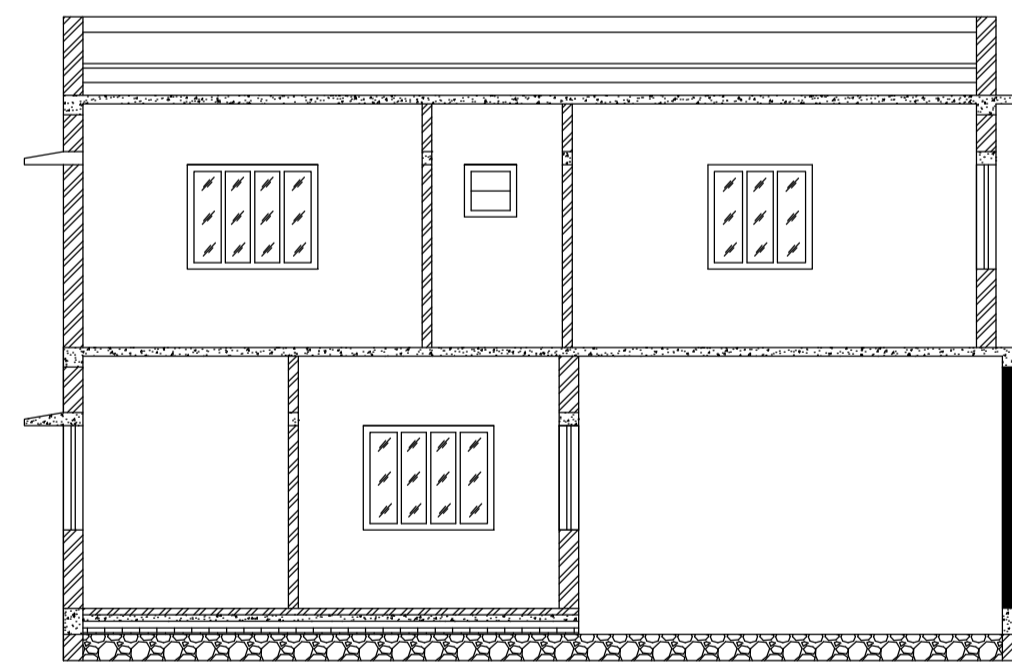


PLAN

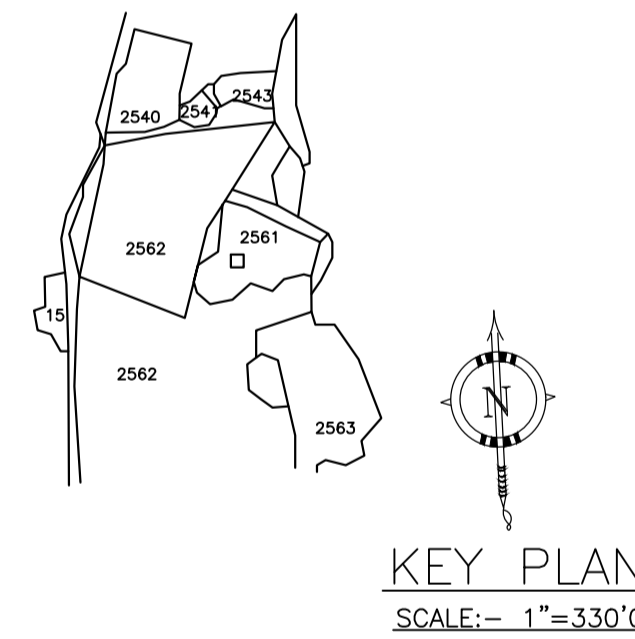
DETAILS OF COLUMN FOUNDATION



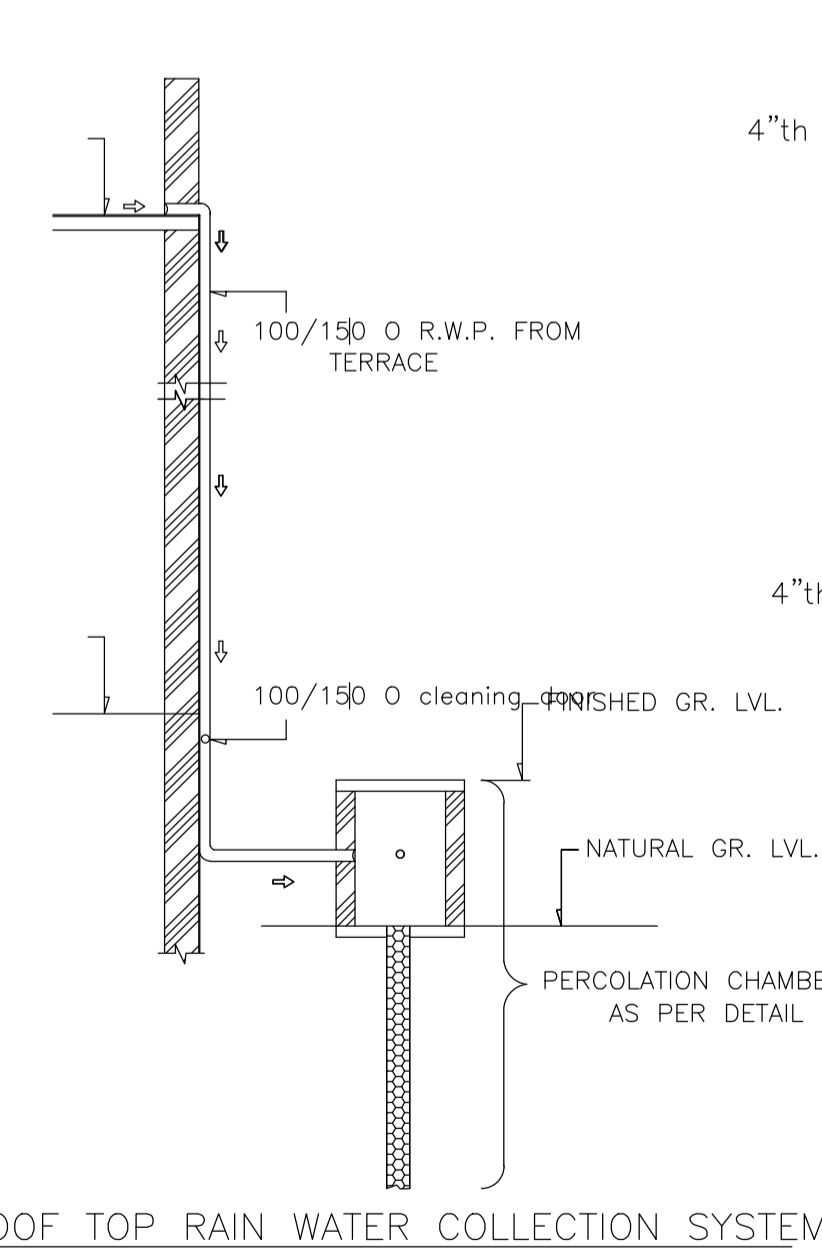
SECTION - XX'



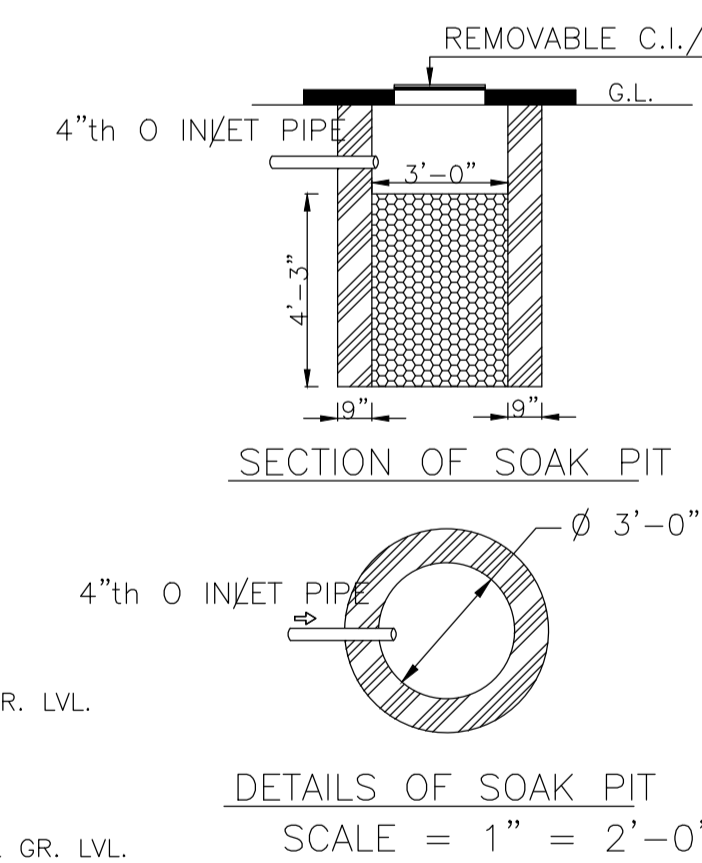
SECTION - YY'



KEY PLAN
SCALE:- 1"=330'0"

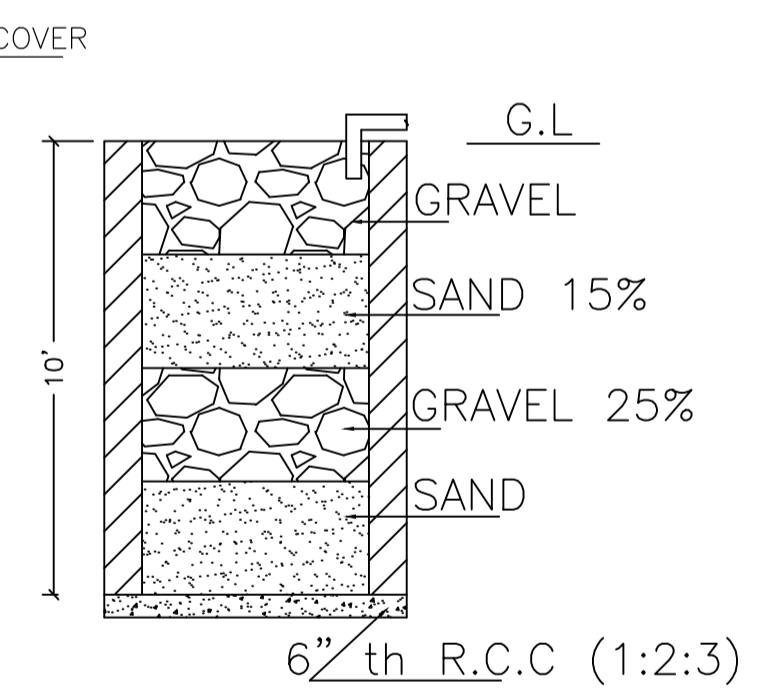


ROOF TOP RAIN WATER COLLECTION SYSTEM

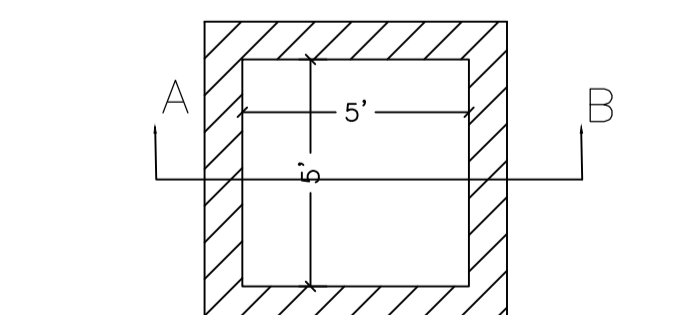


SECTION OF SOAK PIT

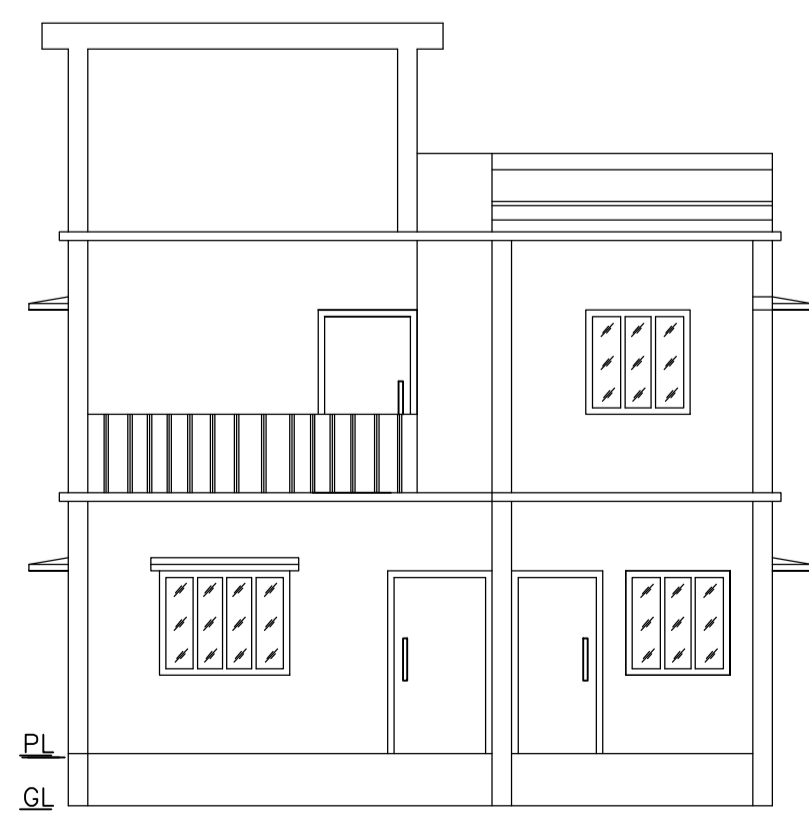
DETAILS OF SOAK PIT
SCALE = 1" = 2'-0"



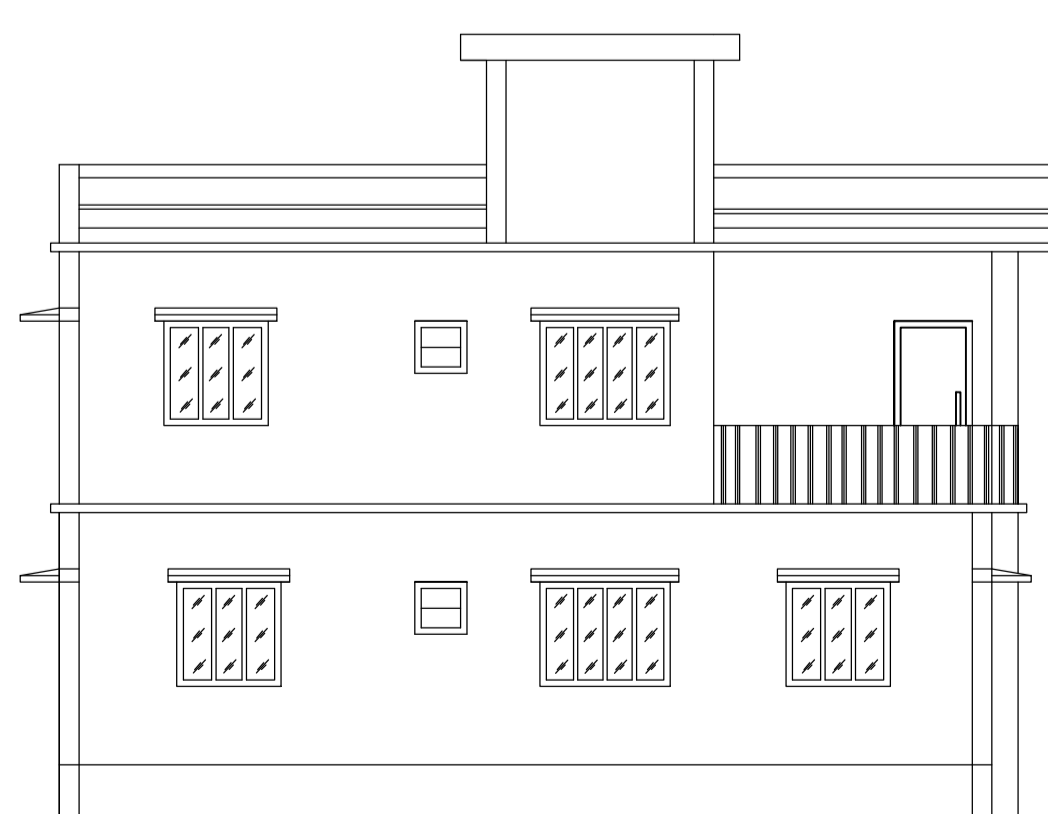
SECTION ON A - B



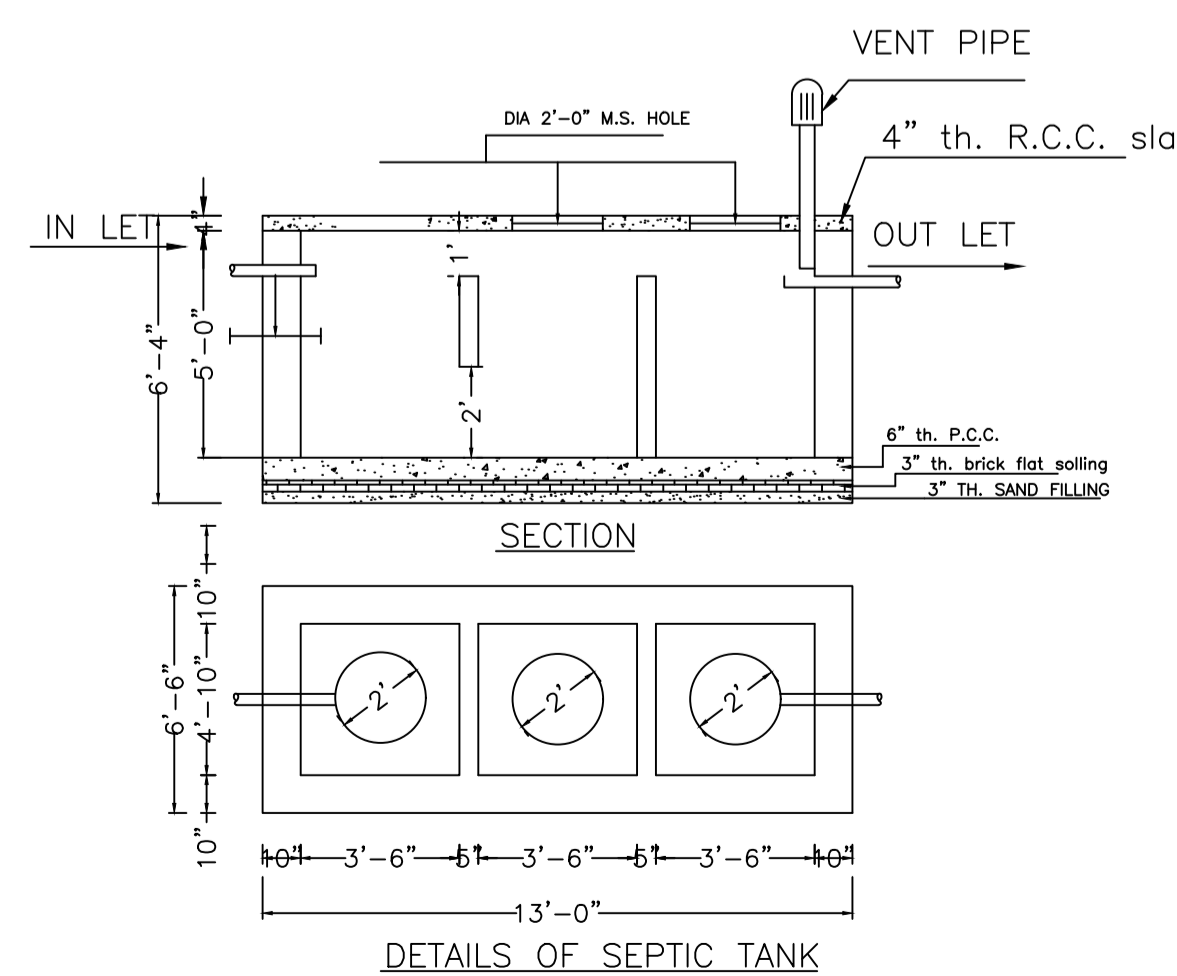
DETAILS DRAWING OF
RAIN WATER HARVESTING



FRONT ELEVATION



LEFT SIDE ELEVATION



DETAILS OF SEPTIC TANK

LTP NAME AND SIGNATURE	STRUCTURAL ENG'S NAME AND SIGNATURE	BUILDER NAME AND SIGNATURE	DIGITAL SIGNATURE
RAM PRATAP SINGH MADA/ARC/0024/2019			