

FAR & Tenement Details (Table 4c-1)

Building	No. of Same Bldg	Total Built Up Area (Sq.mt.)	Proposed FAR Area (Sq.mt.) Resi.	Total FAR Area (Sq.mt.)	Total Consumed Additional FAR Area (Sq.mt.)	Tnmt (No.)
RESI (ANKIT)	1	221.87	221.87	221.87	221.87	01
Grand Total :	1	221.87	221.87	221.87	221.87	01



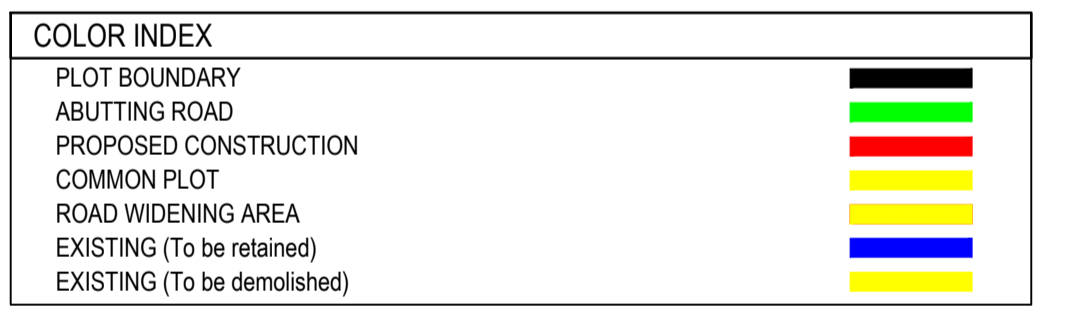
Proposal Basic Information

Proposal File No.	MADA/BP/0367/2023
Owner Name	SRI ANKIT KUMAR SINGH
Khata No	14(OLD),28(NEW)
Plot No	58 859 (OLD),62(NEW)
Village Name	Kangalo
Use	Residential
SubUse	Bungalow/ Dwelling / Non Apartment

AREA STATEMENT MINERAL AREA DEVELOPMENT AUTHORITY	VERSION NO : 1.0.67
PROJECT DETAIL:	VERSION DATE: 16/10/2020
Region: JHARKHAND URBAN LOCAL BODIES	Plot Use: Residential
District: DHANBAD	Plot SubUse: Bungalow/ Dwelling / Non Apartment
Authority: MINERAL AREA DEVELOPMENT AUTHORITY	PlotNearbyReligiousStructure: NA
Inward No: MADA/BP/0367/2023	PlotSubPlot No: 58 859 (OLD),62(NEW)
Application Type: General Proposal	North: Plot No. -NEW PLOT NO-64
Project Type: Building Permission	South: Road Width - 5.49
Nature of Development: New	East: Plot No. - NEW PLOT NO-128
Location of Development Area: Old Area	West: Plot No. - PLOT NO-63 & ROAD

AREA DETAILS:	AREA	SQ.MT.
AREA OF PLOT (Minimum)	(A)	343.41
NET AREA OF PLOT(Gross Plot Area - Deduction from Gross Plot area)	(A-Deductions)	343.41
Deduction for Balance Plot Area(from Gross Plot Area)		
Common Plot		45.19
Total		45.19
BALANCE AREA OF PLOT(Net Plot Area - Recreational/Amenity space)	(A-Deductions)	298.21
PLOT AREA FOR COVERAGE(Net Plot Area)	(A-Deductions)	343.41
Plot Area for FAR (Net Plot Area + RoadWidening Area)	(A-Deductions)	343.41

COVERAGE CHECK		
Permissible Coverage area (60.00 %)		206.05
Proposed Coverage Area (31.89 %)		109.52
Total Prop. Coverage Area (31.89 %)		109.52
Balance coverage area (28.11 %)		96.53
FAR CHECK		
Perm. FAR Area (1.800)		618.14
Total Perm. FAR area		618.14
Residential FAR		221.87
Proposed FAR Area		221.87
Total Proposed FAR Area		221.87
Consumed FAR (Factor)		0.65
Balance FAR Area		396.27
BUILT UP AREA CHECK		
Total Proposed BuiltUp Area		221.87
ARCHITECT (Regd)	ANIL KUMAR CHAUDHARY	
ENGINEER (Regd)		
SUPERVISOR (Regd)		
OWNER (Regd)	SRI ANKIT KUMAR SINGH	
DEVELOPMENT AUTHORITY	LOCAL BODY	



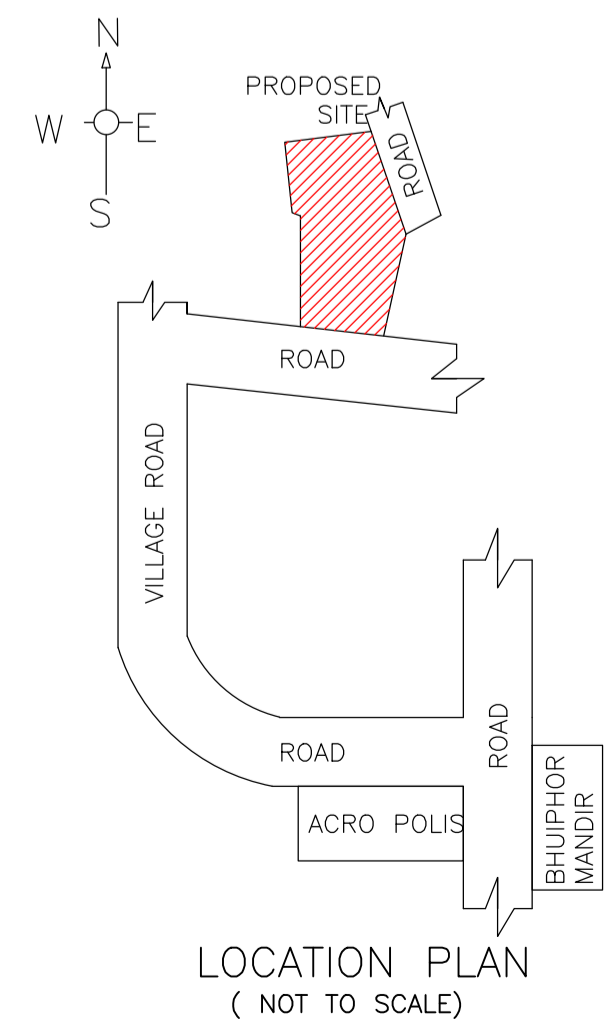
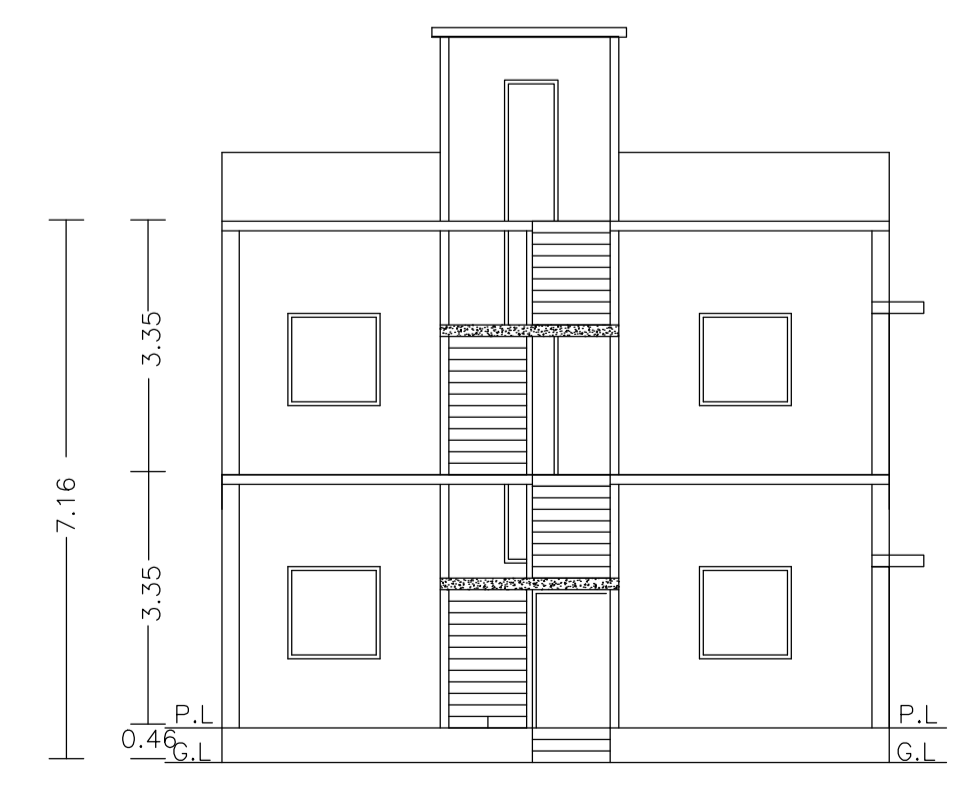
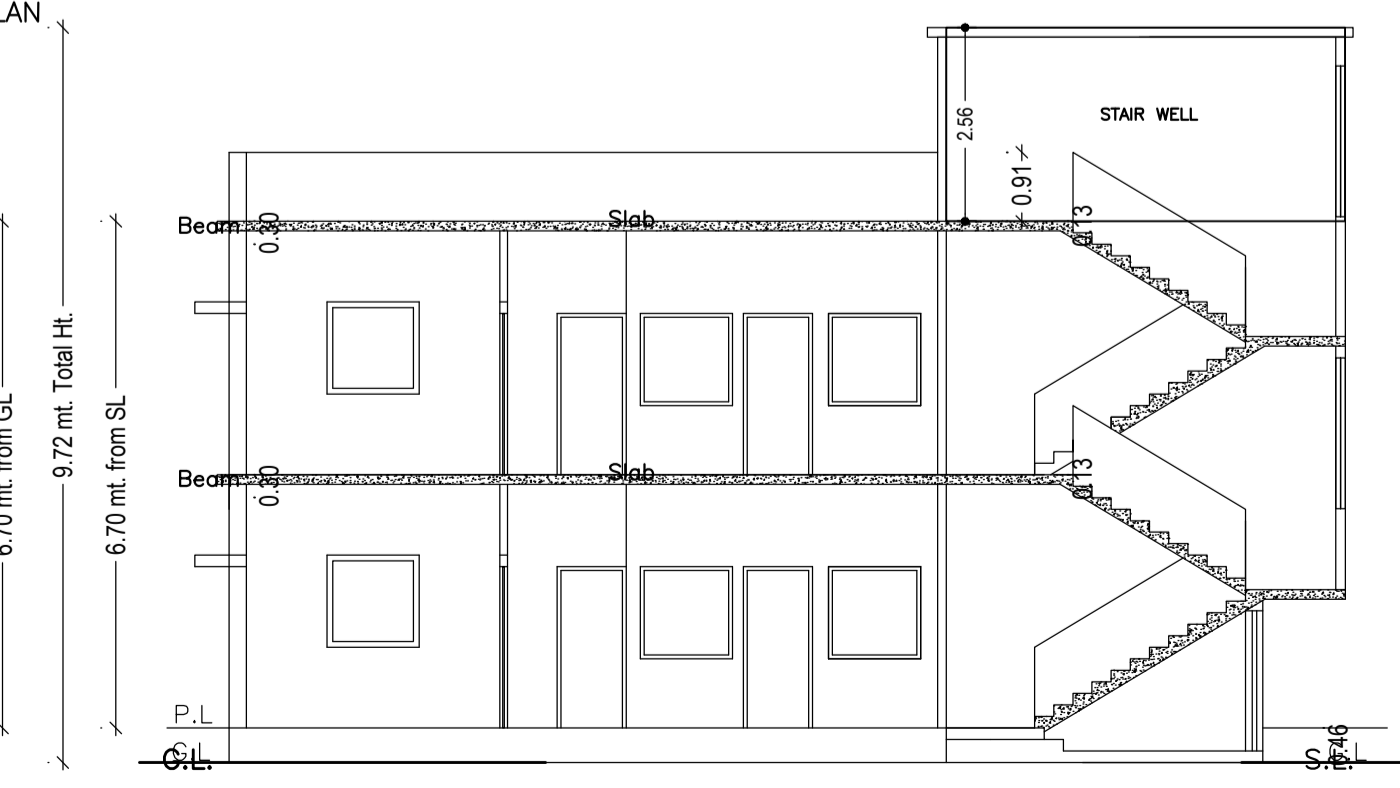
Buildingwise Floor FAR Details

Floor Name	Building Name RESI (ANKIT)		Total	
	Proposed Built Up Area (Sq.mt.)	Proposed FAR Area (Sq.mt.)	Total Proposed Built Up Area (Sq.mt.)	Total FAR Area (Sq.mt.)
Ground Floor	109.52	109.52	109.52	109.52
First Floor	112.35	112.35	112.35	112.35
Terrace Floor	0.00	0.00	0.00	0.00
Total :	221.87	221.87	221.87	221.87

Building USE/SUBUSE Details

Building Name	Building Use	Building SubUse	Building Structure
RESI (ANKIT)	Residential	Bungalow/ Dwelling / Non Apartment	Non-Highrise

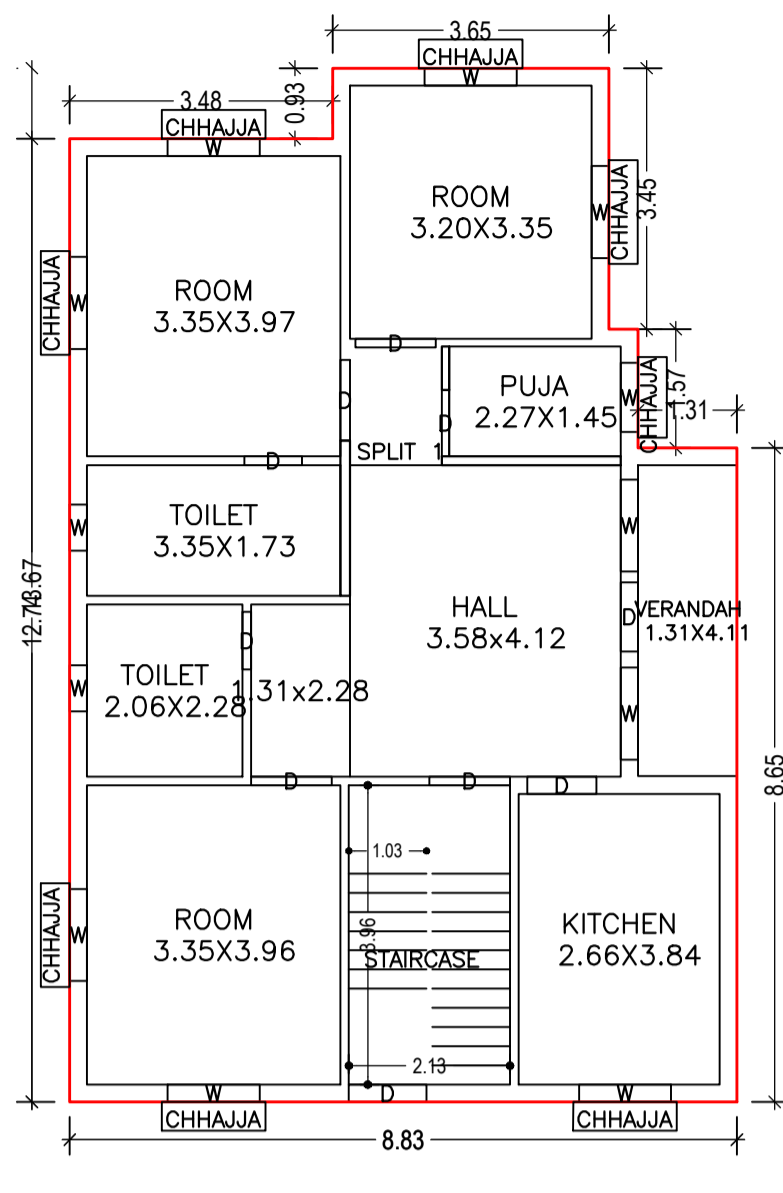
SITE PLAN SCALE :- 1/11=100



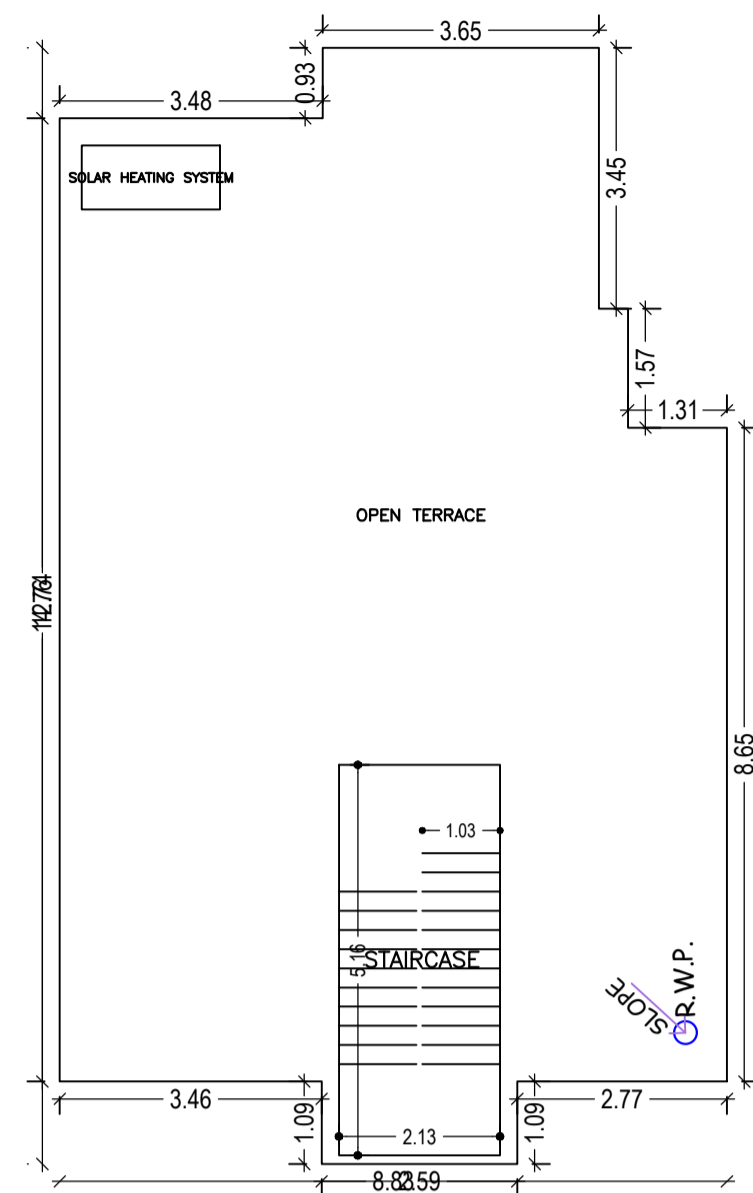
LTP NAME AND SIGNATURE	STRUCTURAL ENG'S NAME AND SIGNATURE	BUILDER NAME AND SIGNATURE	DIGITAL SIGNATURE
ANIL KUMAR CHAUDHARY MADA/ENG/0005/2019			

Proposal Basic Information

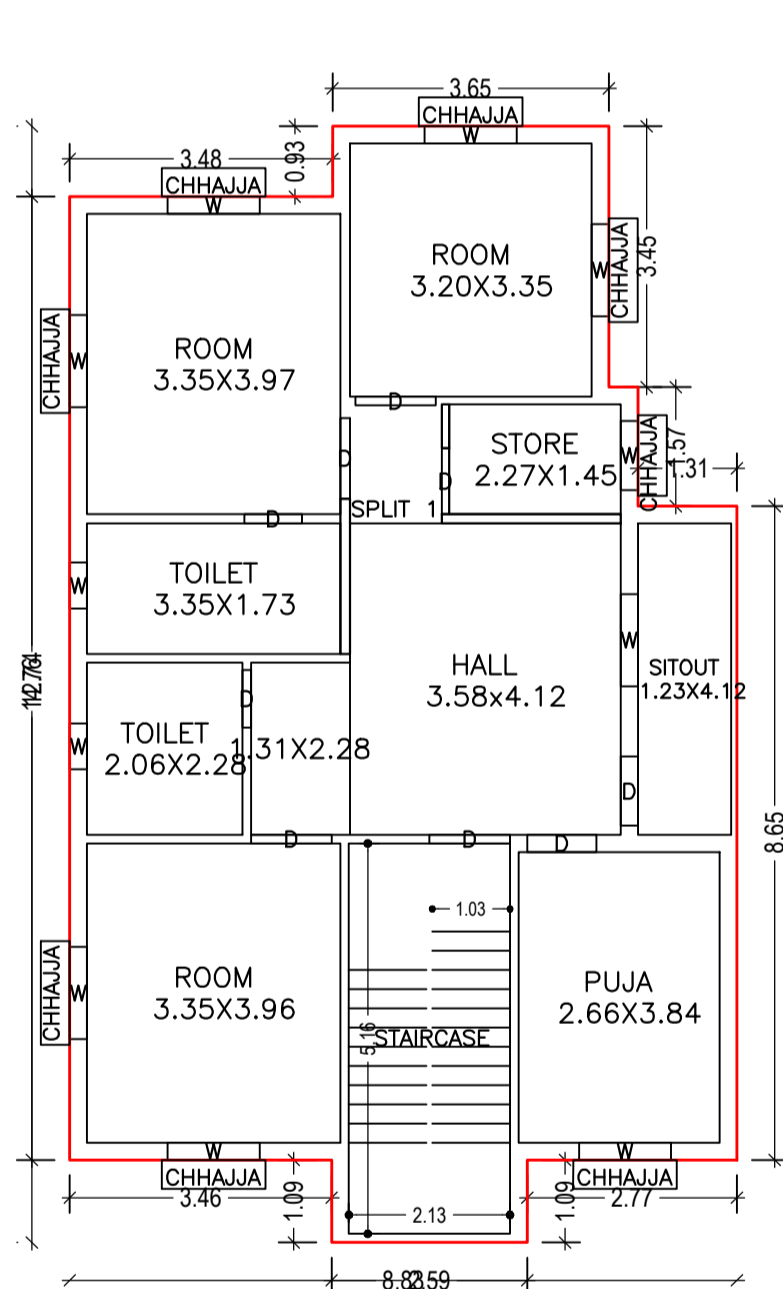
Proposal File No.	MADA/BP/0367/2023
Owner Name	SRI ANKIT KUMAR SINGH
Khata No	14(OLD),28(NEW)
Plot No	58 859 (OLD),62(NEW)
Village Name	Kangalo
Use	Residential
SubUse	Bungalow/ Dwelling / Non Apartment



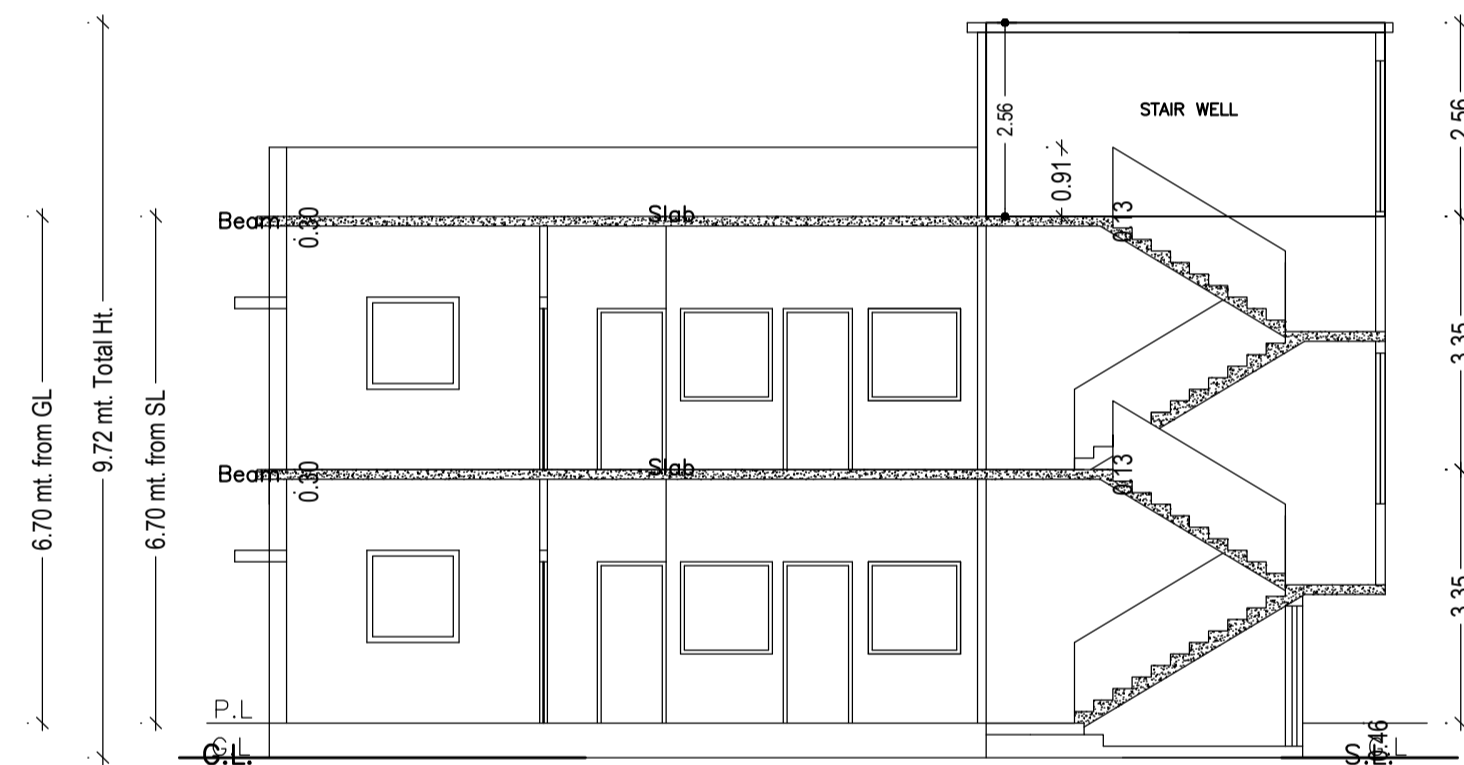
GROUND FLOOR PLAN (Proposed) (SCALE 1:100)



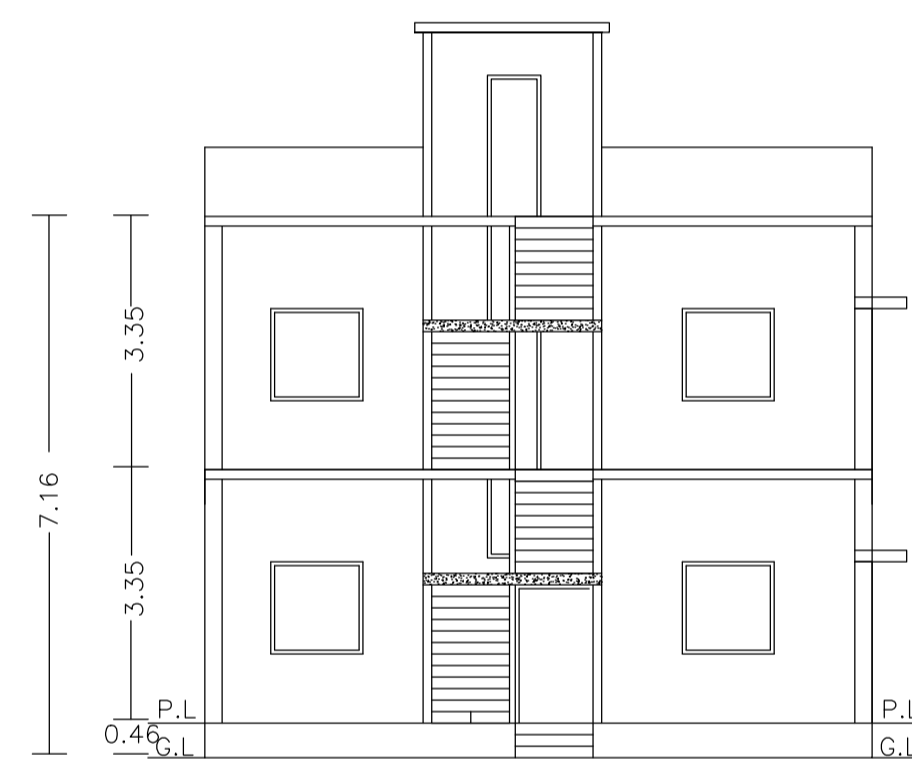
TERRACE FLOOR PLAN (SCALE 1:100)



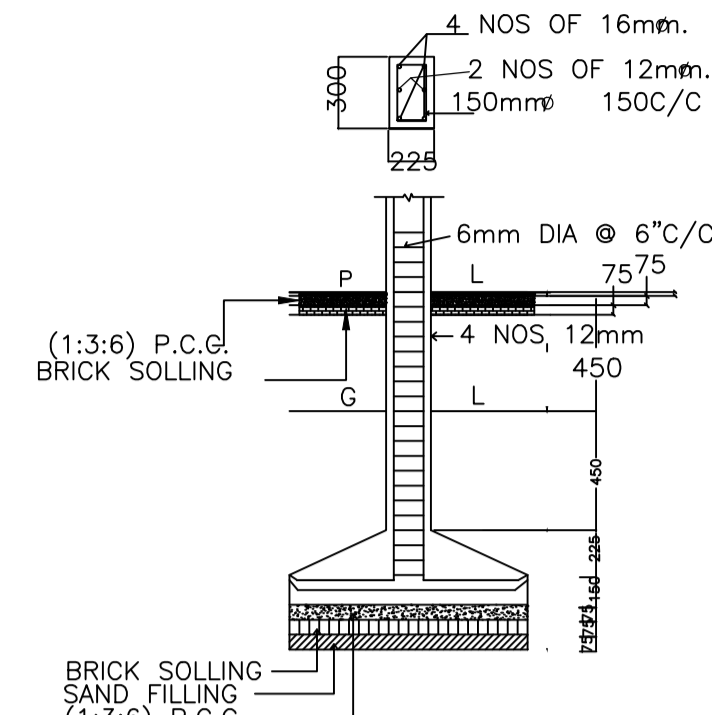
FIRST FLOOR PLAN (Proposed) (SCALE 1:100)



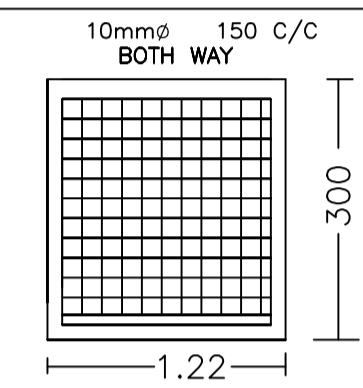
SECTION AT X-X



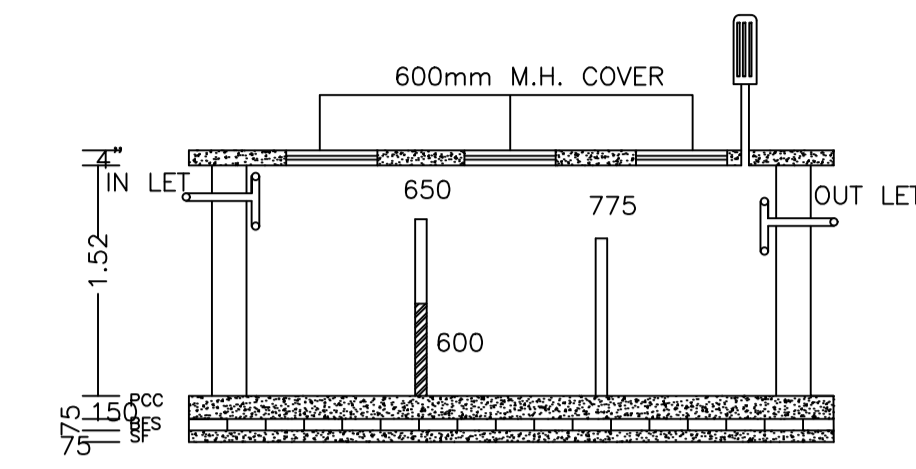
SECTION AT Y-Y



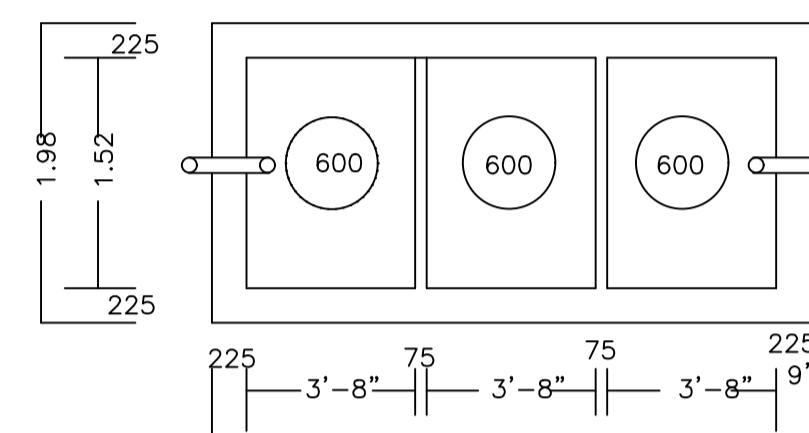
DETAILS OF COLUMN FOOTING



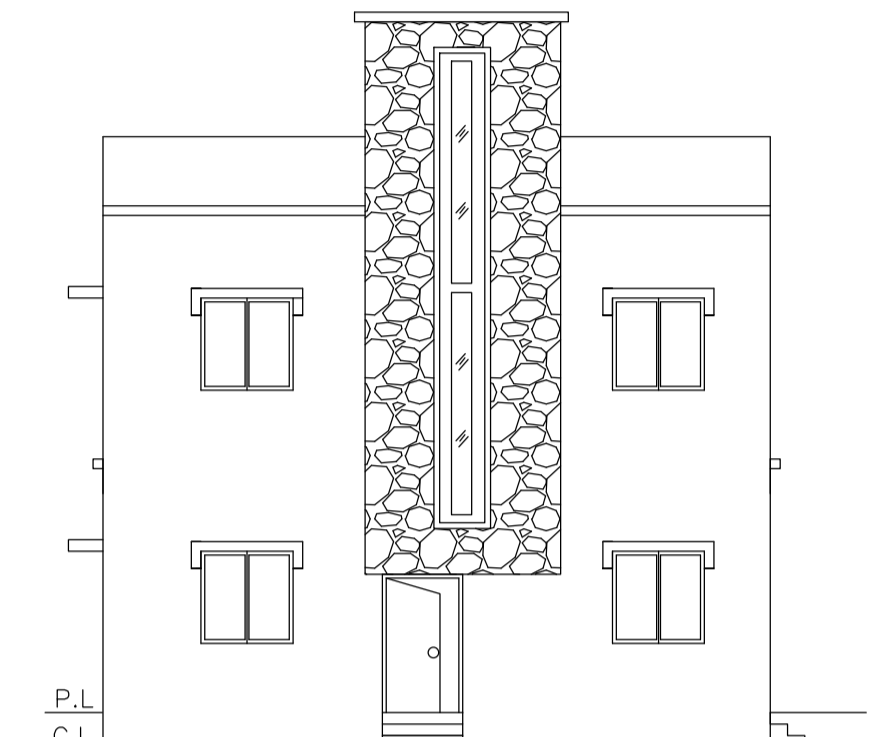
PLAN DETAILS OF COLUMNS (SCALE:- 1:50)



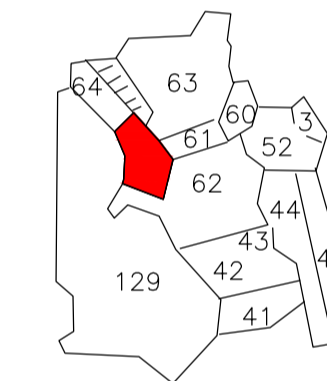
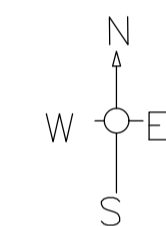
SECTION



PLAN OF SEPTIC TANK



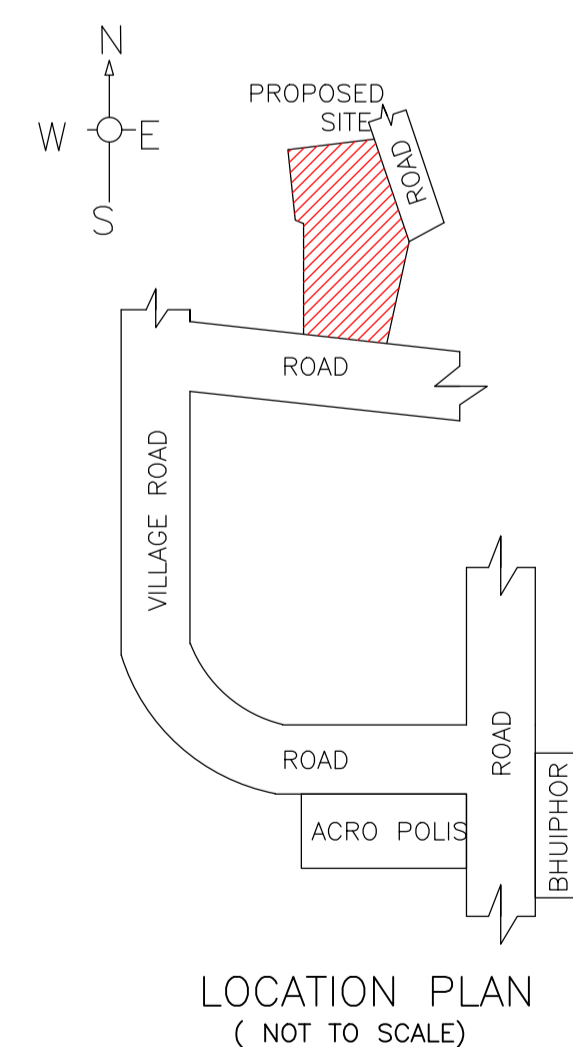
FRONT ELEVATION



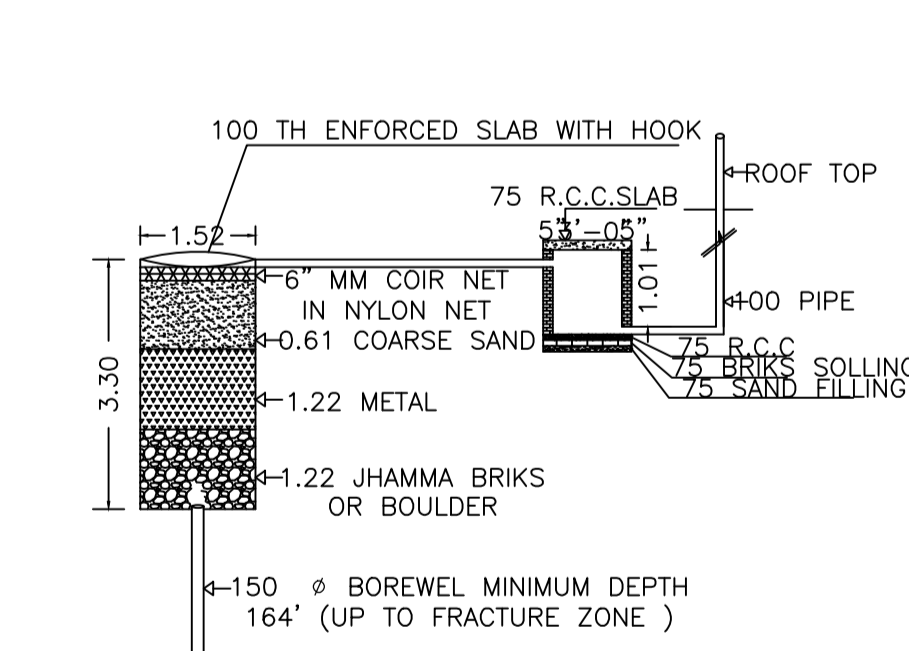
KEY- PLAN (SCALE:- 1IN. = 330 FT.)



RIGHT SIDE ELEVATION

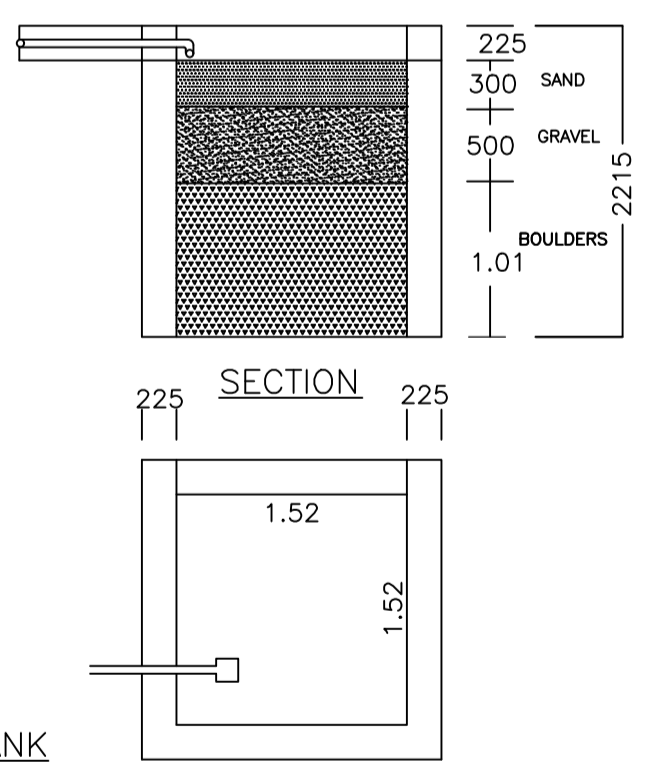


LOCATION PLAN (NOT TO SCALE)



DETAIL OF GROUND WATER RECHARGING PIT WITH SILT TANK

NOT TO SCALE



PLAN OF RAIN WATER HARVESTING (SCALE:-1:25)

Building :RESI (ANKIT)

Floor Name	Total Built Up Area (Sq.mt.)	Proposed FAR Area (Sq.mt.) Resi.	Total FAR Area (Sq.mt.)	Total Consumed Additional FAR Area (Sq.mt.)	Tnmt (No.)
Ground Floor	109.52	109.52	109.52	109.52	01
First Floor	112.35	112.35	112.35	112.35	00
Terrace Floor	0.00	0.00	0.00	0.00	00
Total :	221.87	221.87	221.87	221.87	01
Total Number of Same Buildings	1				
Total :	221.87	221.87	221.87	221.87	01

SCHEDULE OF DOOR:

BUILDING NAME	NAME	LENGTH	HEIGHT	NOS
RESI (ANKIT)	D	0.76	2.10	04
RESI (ANKIT)	D	0.88	2.10	02
RESI (ANKIT)	D	0.91	2.10	04
RESI (ANKIT)	D	1.07	2.10	08

SCHEDULE OF WINDOW/VENTILATION:

BUILDING NAME	NAME	LENGTH	HEIGHT	NOS
RESI (ANKIT)	W	0.61	1.20	04
RESI (ANKIT)	W	0.91	1.20	02
RESI (ANKIT)	W	1.22	1.20	17

UnitBUA Table for Building :RESI (ANKIT)

FLOOR	Name	UnitBUA Type	UnitBUA Area	Carpet Area	No. of Rooms	No. of Tenement
GROUND FLOOR PLAN	SPLIT 1	FLAT	221.87	220.65	9	1
FIRST FLOOR PLAN	SPLIT 1	FLAT	0.00	0.00	9	0
Total:	-	-	221.87	220.65	18	1

LTP NAME AND SIGNATURE	STRUCTURAL ENG'S NAME AND SIGNATURE	BUILDER NAME AND SIGNATURE	DIGITAL SIGNATURE
ANIL KUMAR CHAUDHARY MADA/ENG/0005/2019			