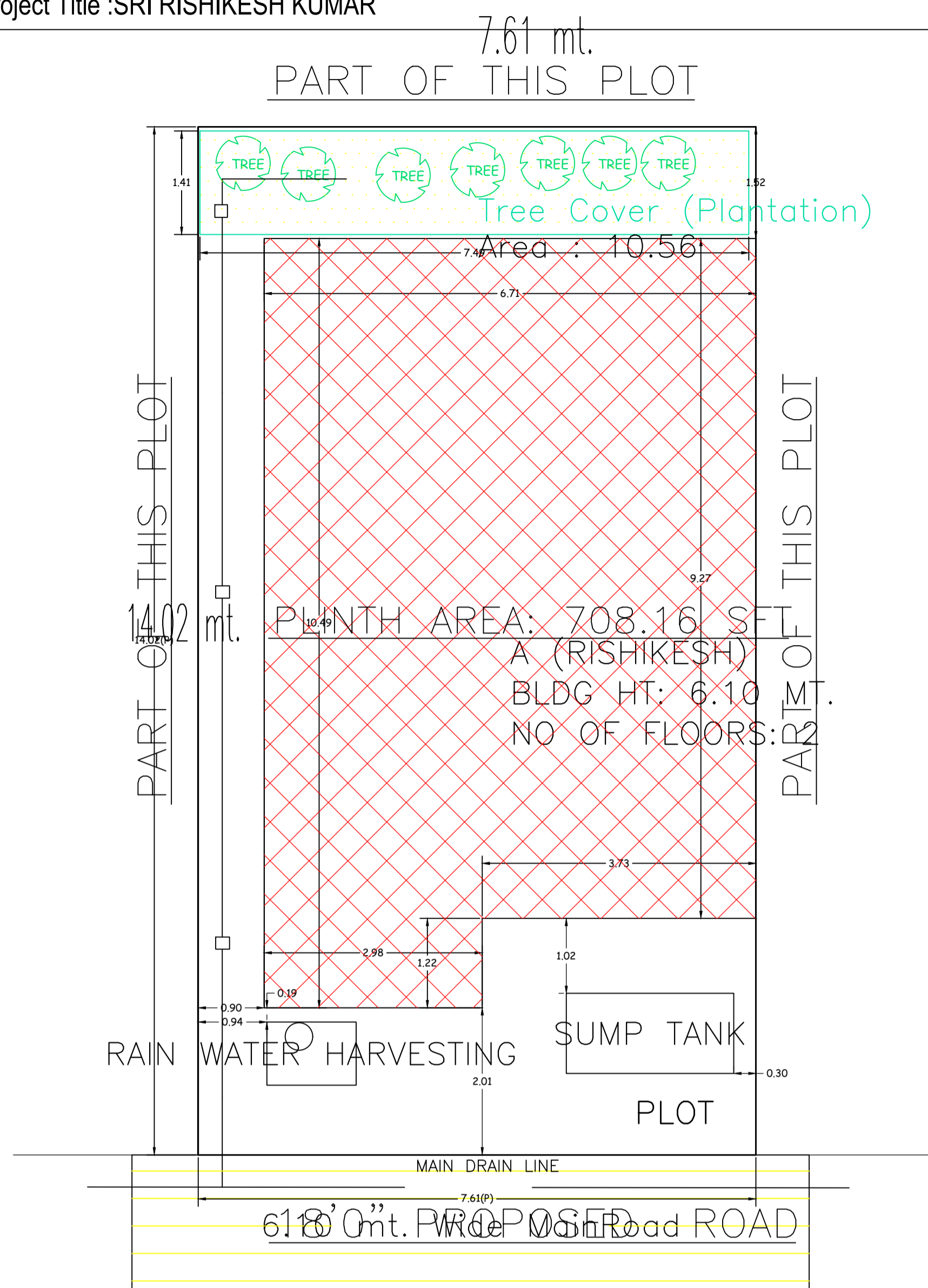
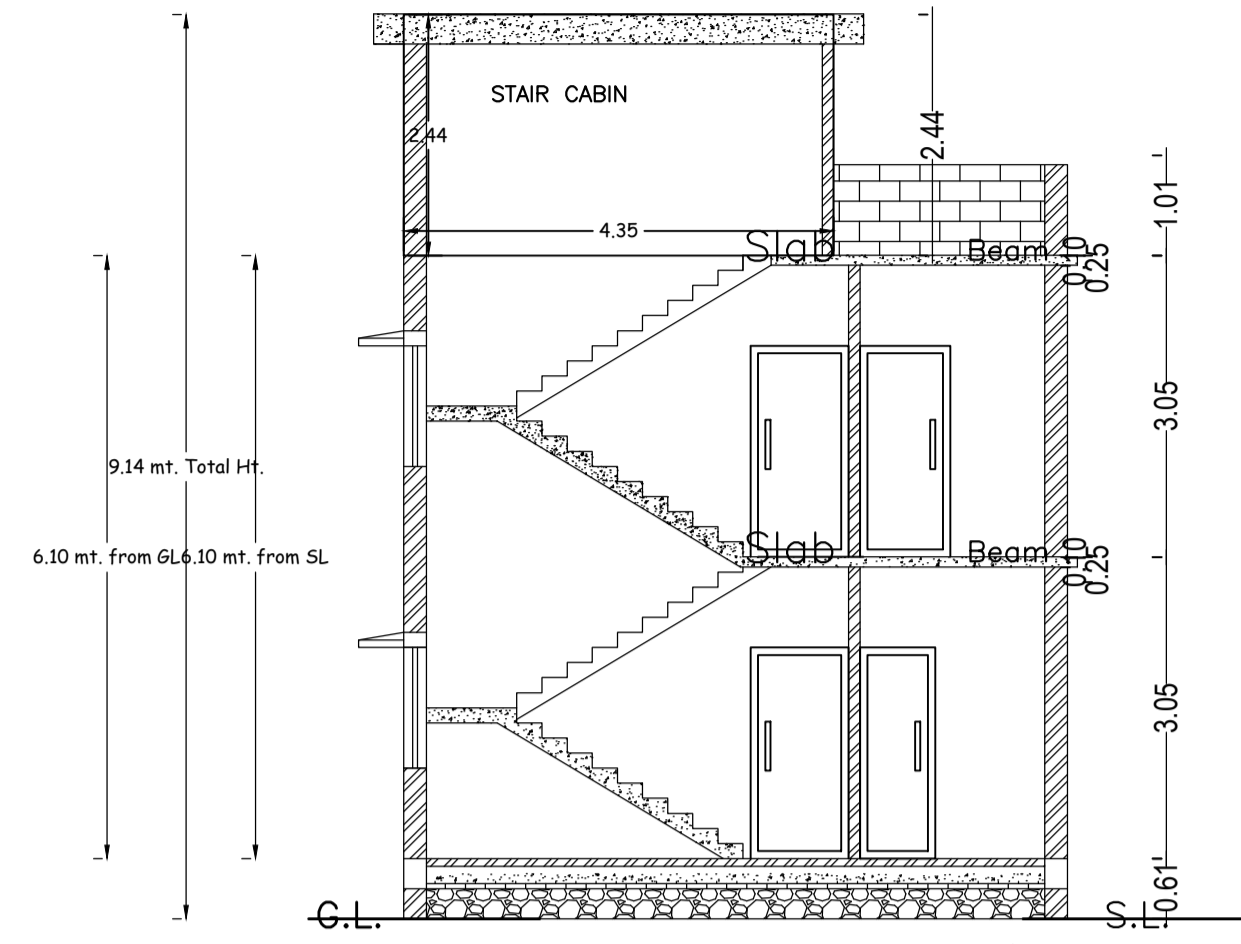


Proposal Basic Information	
Proposal File No.	MADA/BP/0396/2023
Owner Name	SRI. RISHIKESH KUMAR
Khata No	OLD KHATA NO-20, NEW KHATA NO-130
Plot No	OLD PLOT NO-1112, NEW PLOT NO-910
Village Name	Bagula
Use	Residential
SubUse	Bungalow/ Dwelling / Non Apartment

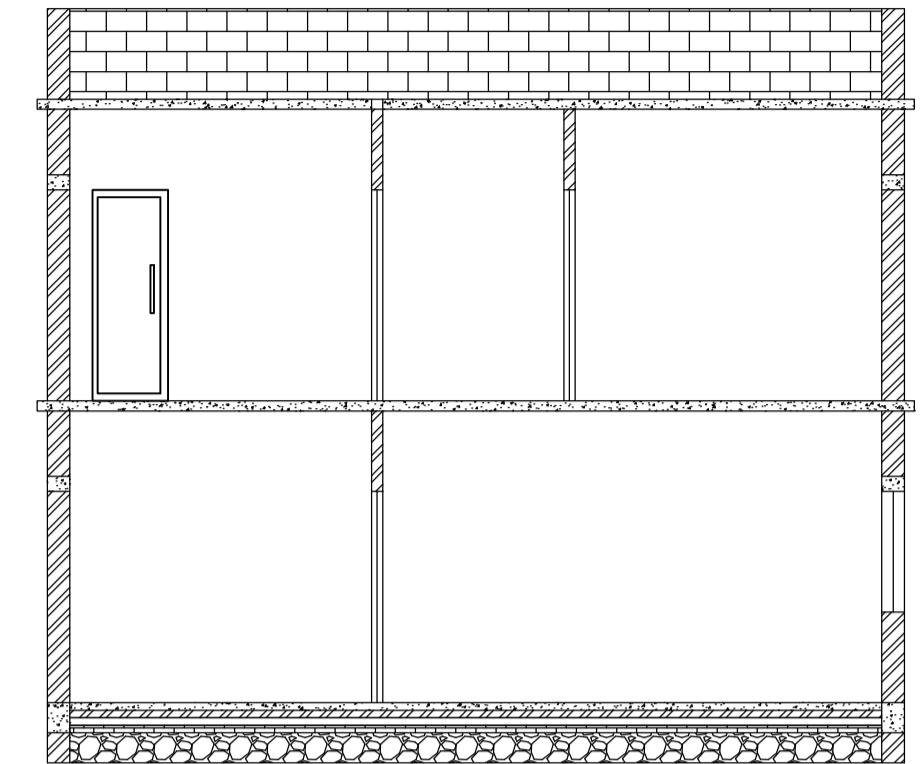


SITE PLAN

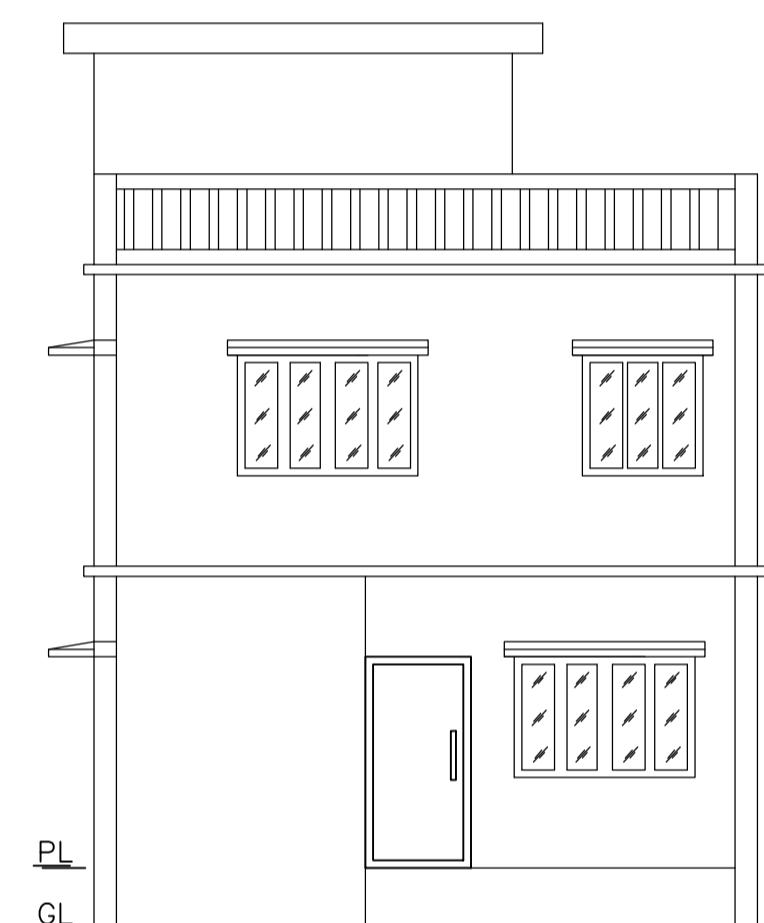
SCALE - 1" = 16'-0"



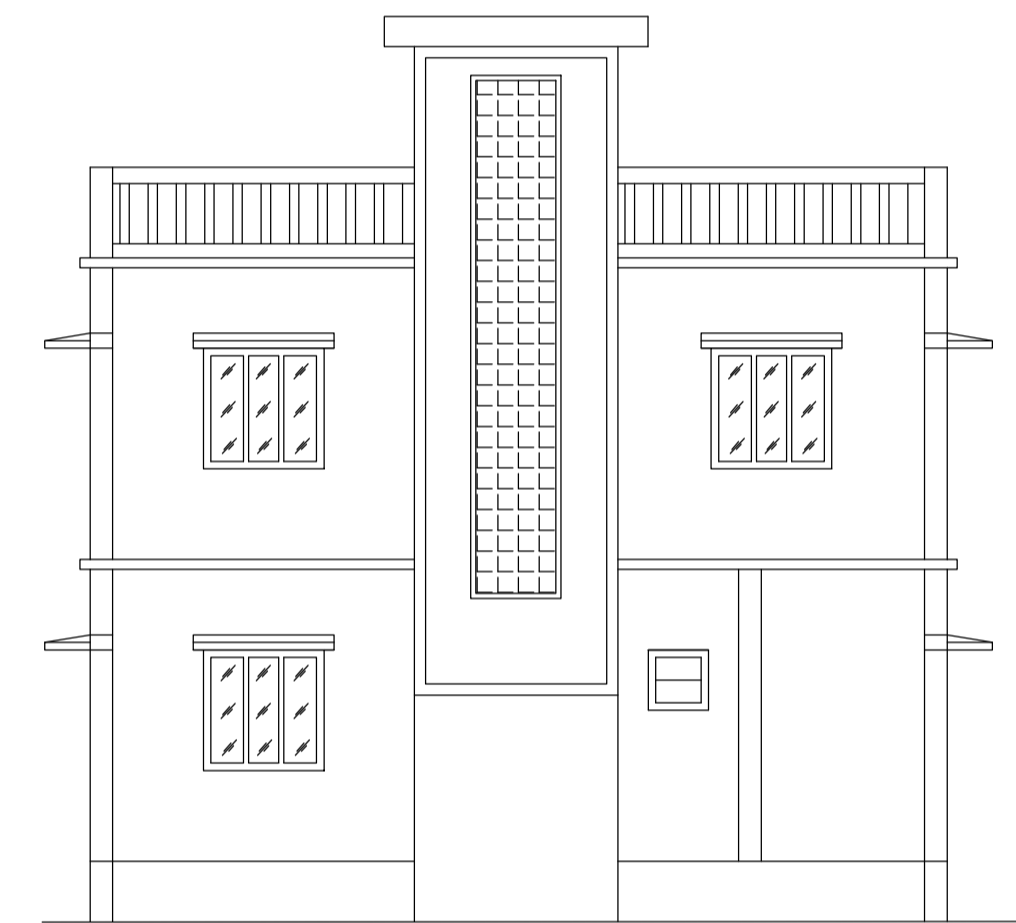
SECTION - XX'



SECTION - YY'



FRONT ELEVATION



LEFT SIDE ELEVATION

AREA STATEMENT MINERAL DEVELOPMENT AUTHORITY		VERSION NO.: 1.0.69
PROJECT DETAIL:		VERSION DATE: 16/10/2020
Region: JHARKHAND URBAN LOCAL BODIES	Plot Use: Residential	
District: DHANBAD	Plot SubUse: Bungalow/ Dwelling / Non Apartment	
Authority: MINERAL AREA DEVELOPMENT AUTHORITY	PlotNearby/ReligiousStructure: NA	
Inward No: MADA/BP/0396/2023	Plot/SubPlot No: OLD PLOT NO-1112, NEW PLOT NO-910	
Application Type: General Proposal	North: Plot No. - SAME PLOT	
Project Type: Building Permission	South: Plot No. - SAME PLOT	
Nature of Development: New	East: Plot No. - SAME PLOT	
Location of Development Area: Old Area	West: Road Width - 5.48	
AREA DETAILS:		
AREA OF PLOT (Minimum)	(A)	106.70 SQ.MT.
NET AREA OF PLOT(Gross Plot Area - Deduction from Gross Plot area)	(A-Deductions)	106.70
Deduction for Balance Plot Area(from Gross Plot Area)		
Common Plot		10.56
Total		10.56
BALANCE AREA OF PLOT(Net Plot Area - Recreational/Amenity space)	(A-Deductions)	96.14
PLOT AREA FOR COVERAGE(Net Plot Area)	(A-Deductions)	106.70
Plot Area for FAR (Net Plot Area + RoadWidening Area)	(A-Deductions)	106.70
COVERAGE CHECK		
Permissible Coverage area (70.00 %)		74.69
Proposed Coverage Area (61.71 %)		65.84
Total Prop. Coverage Area (61.71 %)		65.84
Balance coverage area (8.29 %)		8.85
FAR CHECK		
Perm. FAR Area (2.500)		266.75
Total Perm. FAR area		266.75
Residential FAR		131.67
Proposed FAR Area		131.67
Total Proposed FAR Area		131.67
Consumed FAR (Factor)		1.23
Balance FAR Area		135.08
BUILT UP AREA CHECK		
Total Proposed BuiltUp Area		131.68
ARCHITECT (Regd)		RAM PRATAP SINGH
ENGINEER (Regd)		
SUPERVISOR (Regd)		
OWNER (Regd)		SRI. RISHIKESH KUMAR
DEVELOPMENT AUTHORITY		LOCAL BODY

COLOR INDEX	
PLOT BOUNDARY	Black
ABUTTING ROAD	Red
PROPOSED CONSTRUCTION	Green
COMMON PLOT	Yellow
ROAD WIDENING AREA	Blue
EXISTING (To be retained)	Orange
EXISTING (To be demolished)	Purple

UnitBUA Table for Building :A (RISHIKESH)

FLOOR	Name	UnitBUA Type	UnitBUA Area	Carpet Area	No. of Rooms	No. of Tenement
GROUND FLOOR PLAN	SPLIT A	FLAT	131.67	128.80	5	1
FIRST FLOOR PLAN	SPLIT A	FLAT	0.00	0.00	7	0
Total:	-	-	131.67	128.80	12	1

SCHEDULE OF DOOR:

BUILDING NAME	NAME	LENGTH	HEIGHT	NOS
A (RISHIKESH)	D	0.76	2.10	03
A (RISHIKESH)	D	0.91	2.10	01
A (RISHIKESH)	D	0.92	2.10	02
A (RISHIKESH)	D	1.07	2.10	03
A (RISHIKESH)	D	1.10	2.10	01
A (RISHIKESH)	D	1.22	2.10	01

SCHEDULE OF WINDOW/VENTILATION:

BUILDING NAME	NAME	LENGTH	HEIGHT	NOS
A (RISHIKESH)	W	0.61	1.20	02
A (RISHIKESH)	W	1.22	1.20	10
A (RISHIKESH)	W	1.83	1.20	01

Building :A (RISHIKESH)

Floor Name	Total Built Up Area (Sq.mt.)	Proposed FAR Area (Sq.mt.) Resi.	Total FAR Area (Sq.mt.)	Total Consumed Additional FAR Area (Sq.mt.)	Trnmt (No.)
Ground Floor	65.84	65.84	65.84	65.84	01
First Floor	65.84	65.84	65.84	65.84	00
Terrace Floor	0.00	0.00	0.00	0.00	00
Total :	131.68	131.68	131.68	131.68	01
Total Number of Same Buildings	1				
Total :	131.68	131.68	131.68	131.68	01

Buildingwise Floor FAR Details

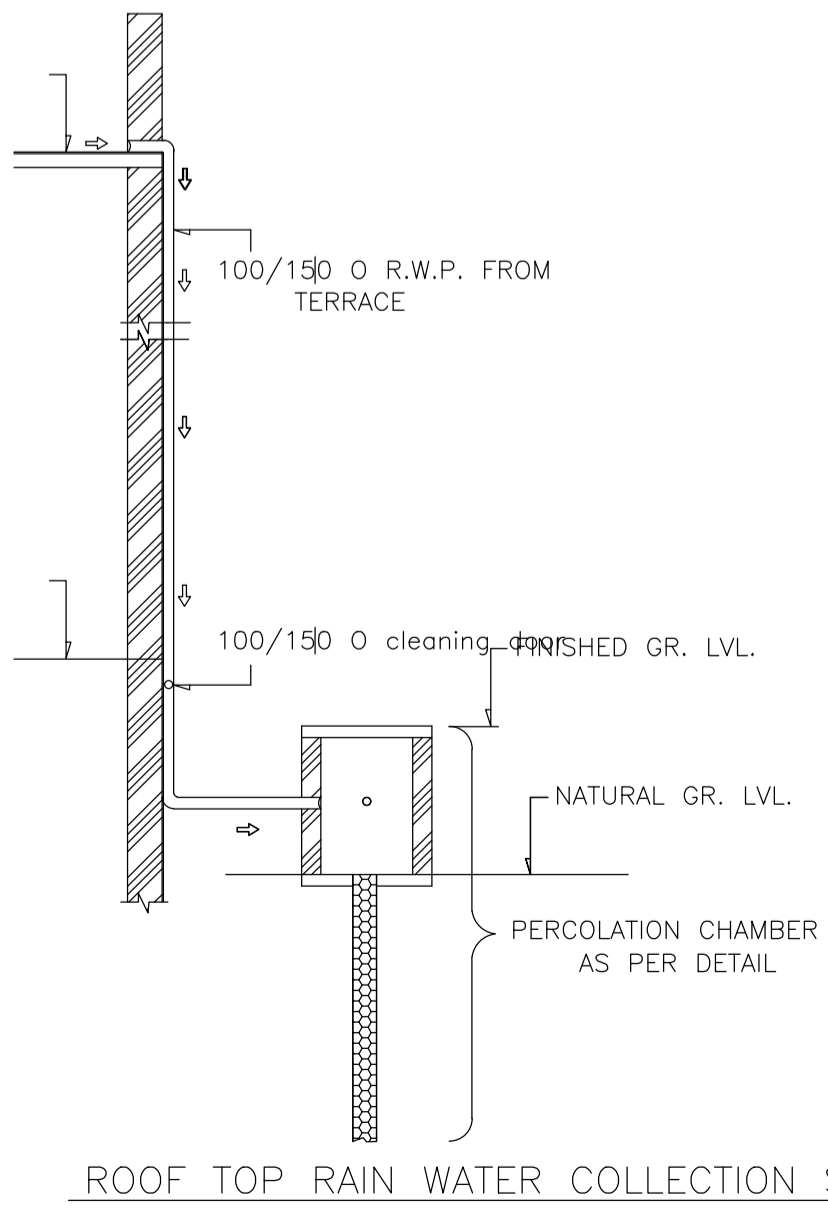
Floor Name	Building Name A (RISHIKESH)		Total	
	Proposed Built Up Area (Sq.mt.)	Proposed FAR Area (Sq.mt.)	Total Proposed Built Up Area (Sq.mt.)	Total FAR Area (Sq.mt.)
Ground Floor	65.84	65.84	65.84	65.84
First Floor	65.84	65.84	65.84	65.84
Terrace Floor	0.00	0.00	0.00	0.00
Total :	131.68	131.68	131.68	131.68

Building USE/SUBUSE Details

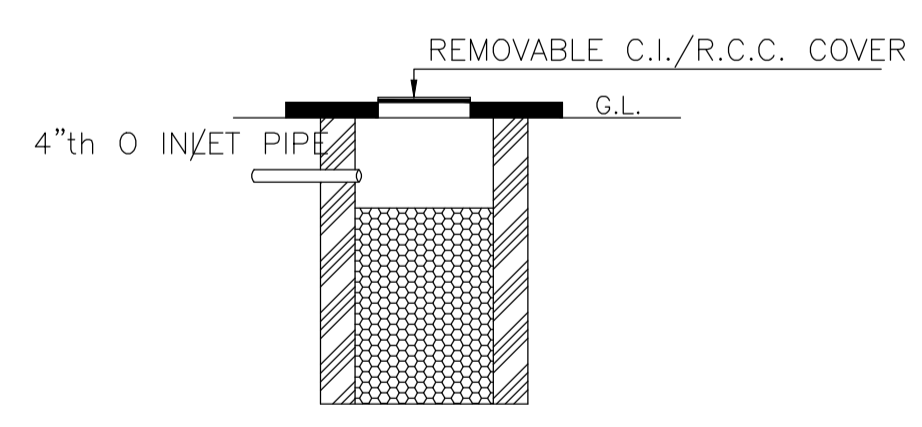
Building Name	Building Use	Building SubUse	Building Structure
A (RISHIKESH)	Residential	Bungalow/ Dwelling / Non Apartment	Non-Highrise

FAR & Tenement Details (Table 4c-1)

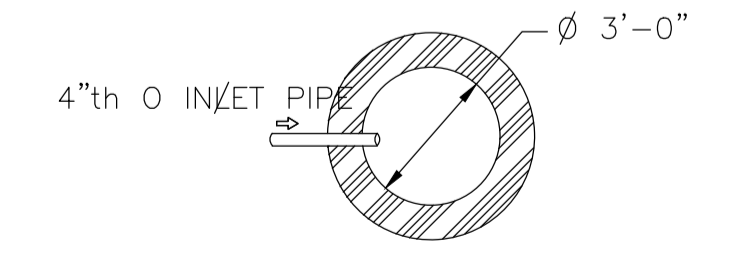
Building	No. of Same Bldg	Total Built Up Area (Sq.mt.)	Proposed FAR Area (Sq.mt.) Resi.	Total FAR Area (Sq.mt.)	Total Consumed Additional FAR Area (Sq.mt.)	Trnmt (No.)
A (RISHIKESH)	1	131.68	131.68	131.68	131.68	01
Grand Total :	1	131.68	131.68	131.68	131.68	01



ROOF TOP RAIN WATER COLLECTION SYSTEM

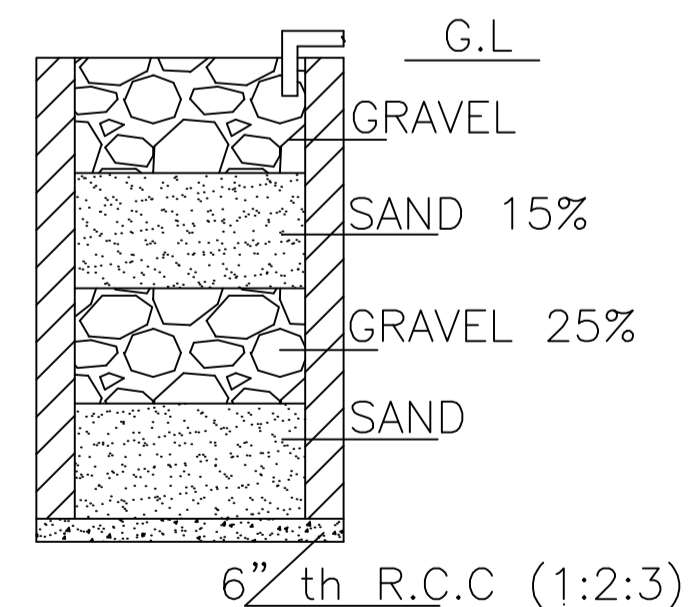


SECTION OF SOAK PIT

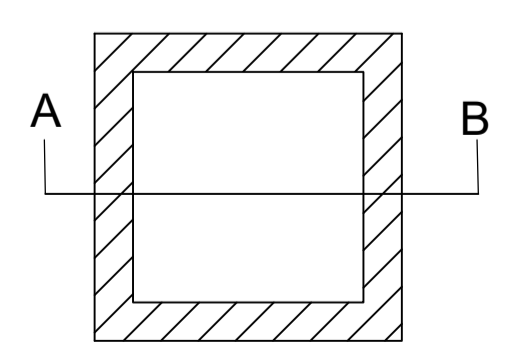


DETAILS OF SOAK PIT

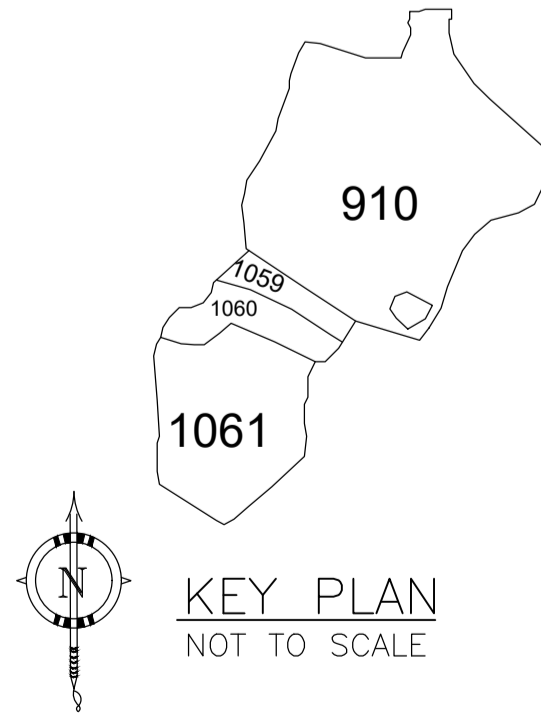
SCALE = 1" = 2'-0"



SECTION ON A - B



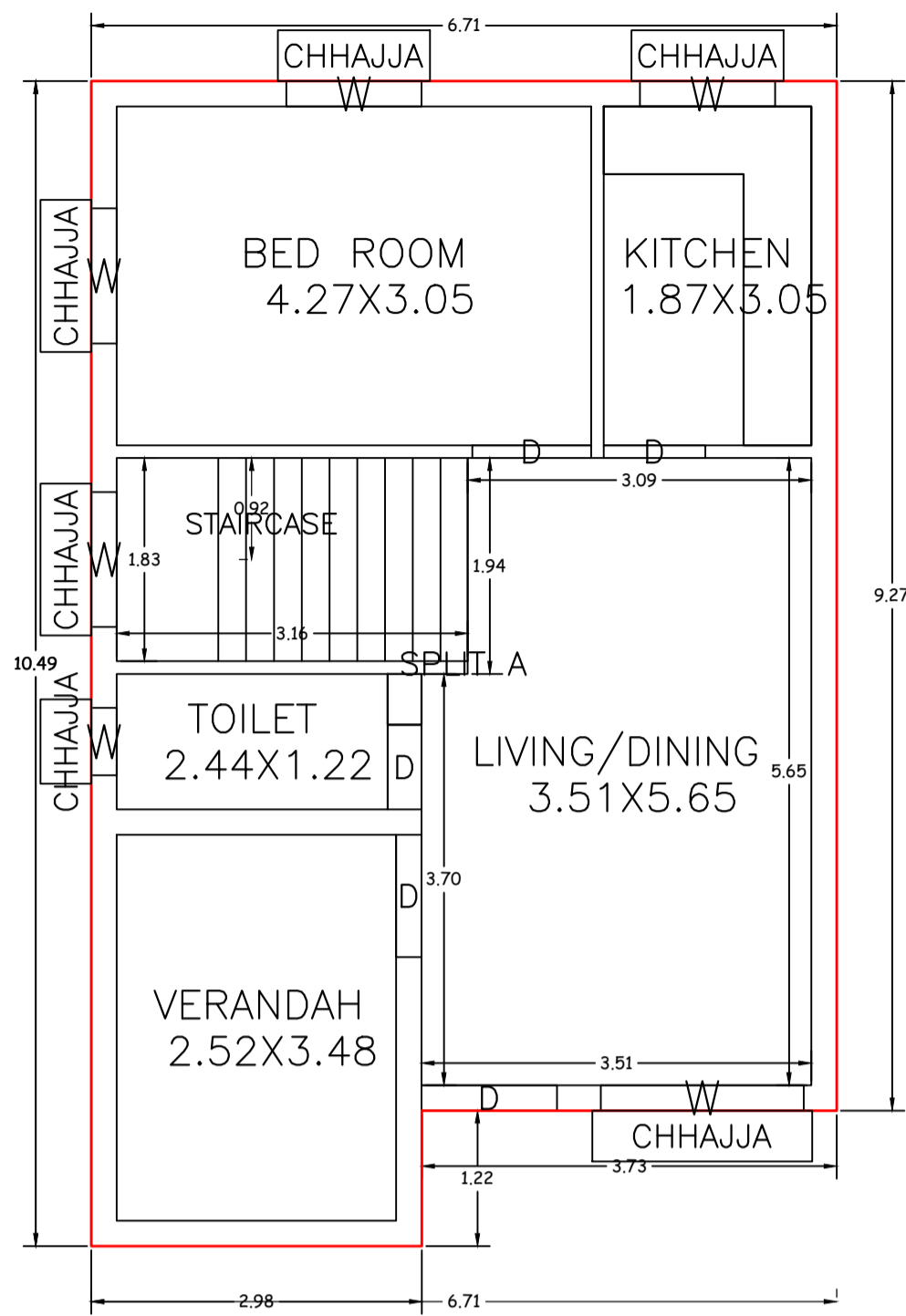
DETAILS DRAWING OF RAIN WATER HARVESTING



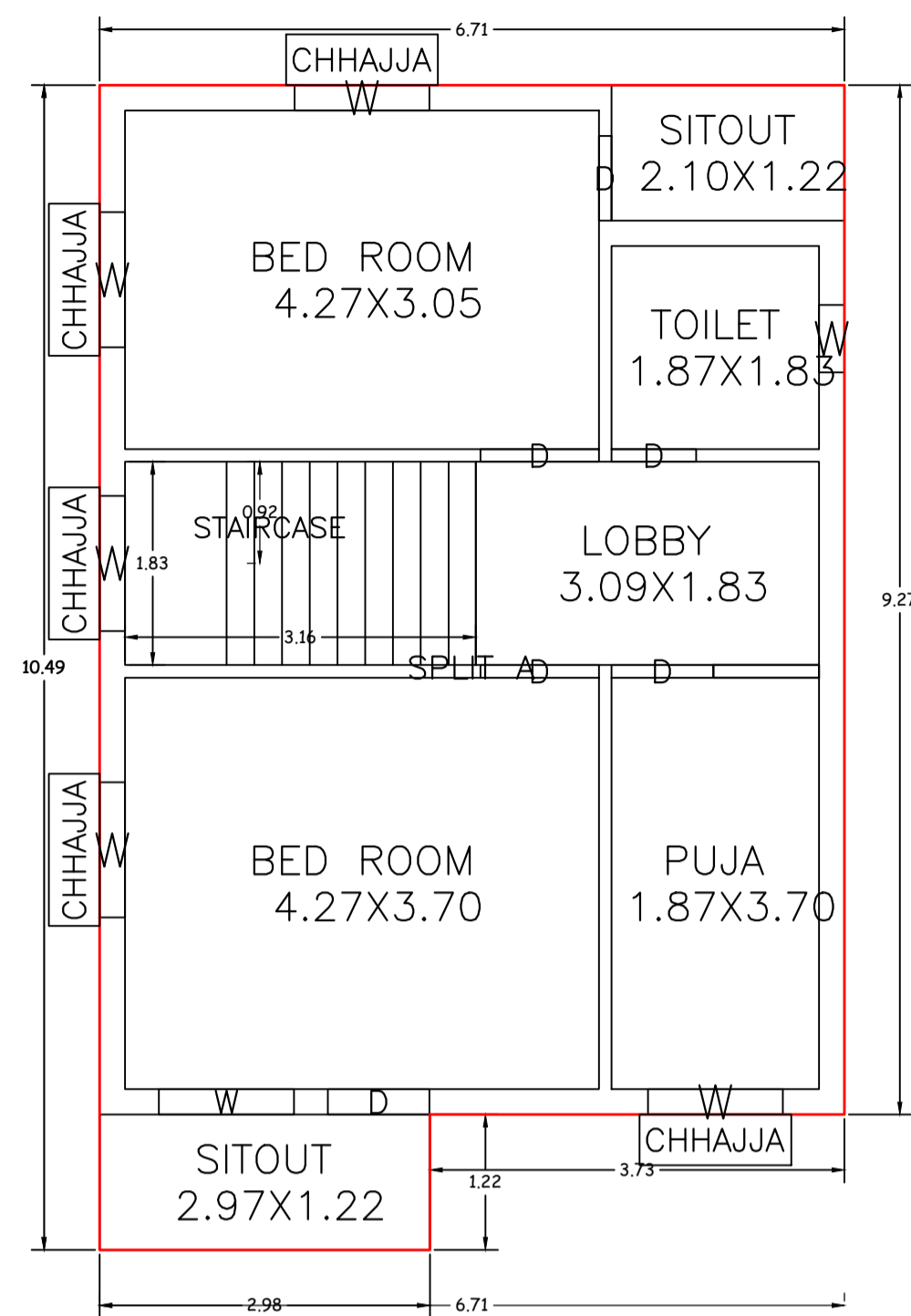
KEY PLAN NOT TO SCALE

LTP NAME AND SIGNATURE	STRUCTURAL ENG'S NAME AND SIGNATURE	BUILDER NAME AND SIGNATURE	DIGITAL SIGNATURE
RAM PRATAP SINGH MADA/ARC/0024/2019			

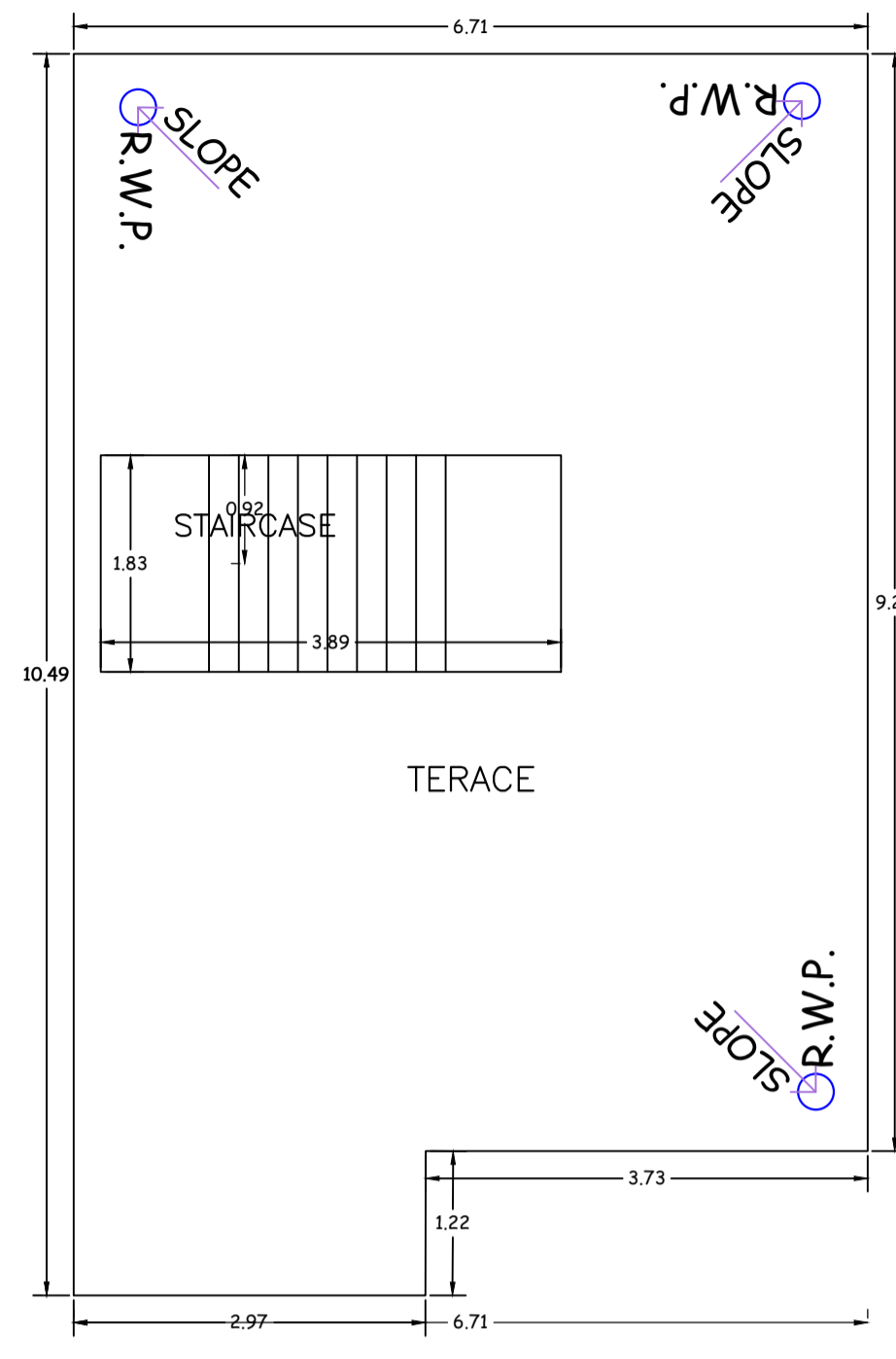
Proposal Basic Information	
Proposal File No.	MADA/BP/0396/2023
Owner Name	SRI. RISHIKESH KUMAR
Khata No	OLD KHATA NO-20, NEW KHATA NO-130
Plot No	OLD PLOT NO-1112, NEW PLOT NO-910
Village Name	Bagula
Use	Residential
SubUse	Bungalow/ Dwelling / Non Apartment



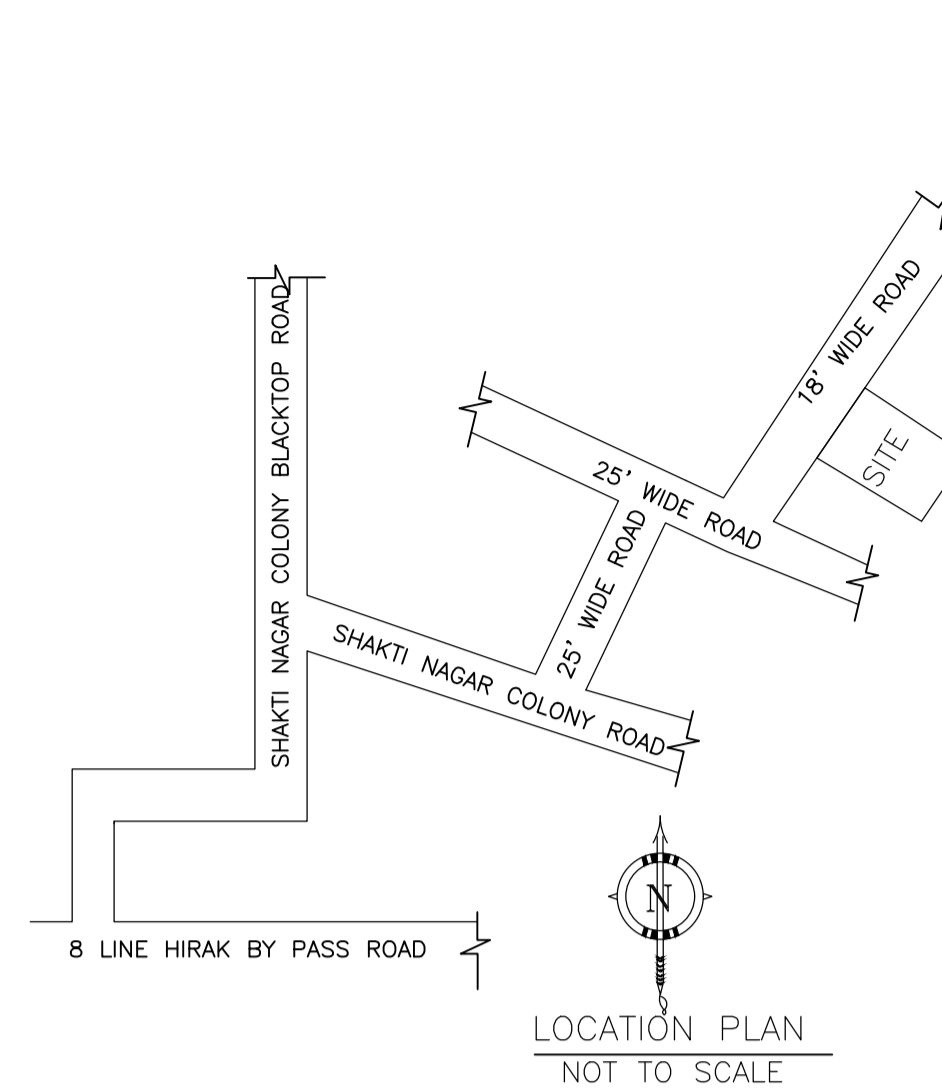
GROUND FLOOR PLAN
(Proposed)
(SCALE 1:100)



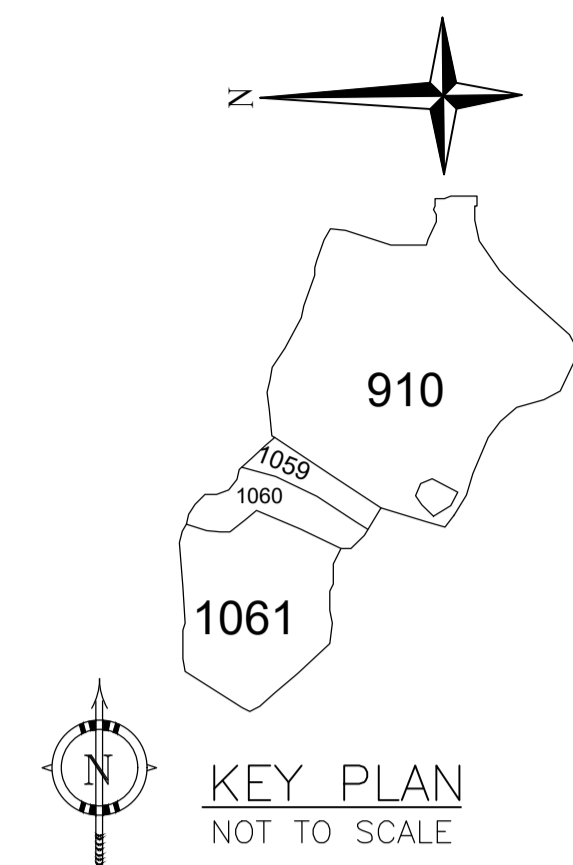
FIRST FLOOR PLAN
(Proposed)
(SCALE 1:100)



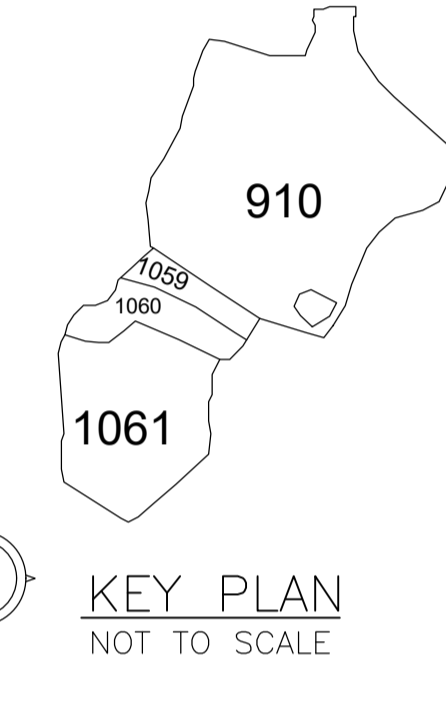
TERRACE FLOOR PLAN
(SCALE 1:100)



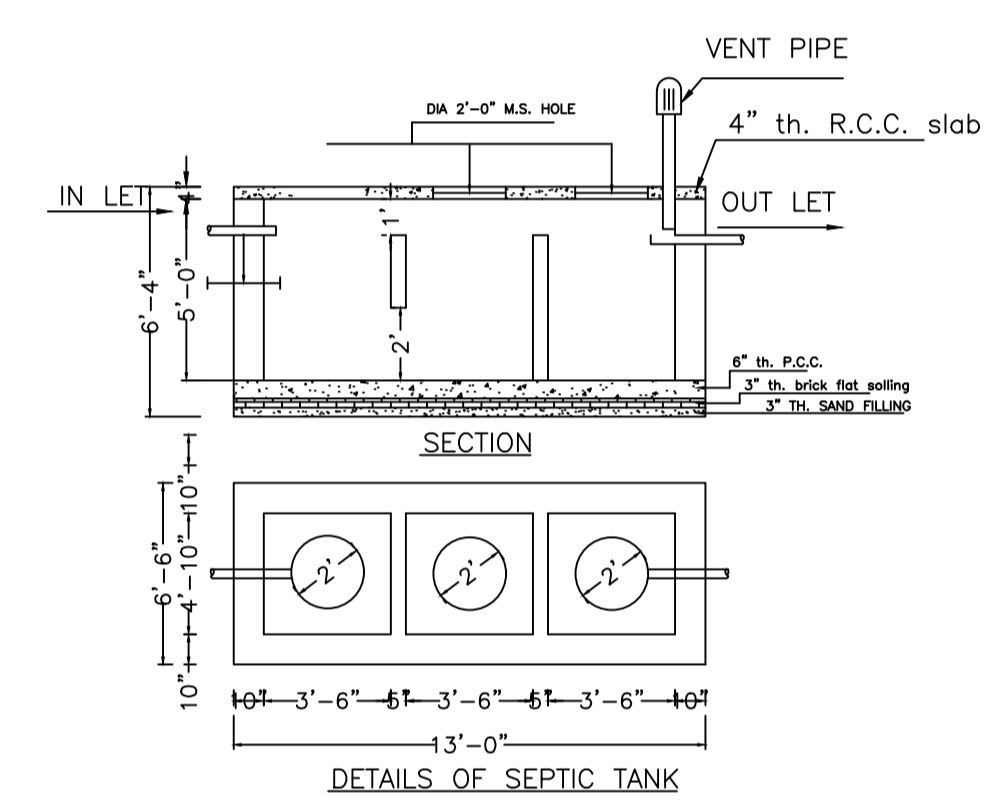
LOCATION PLAN
NOT TO SCALE



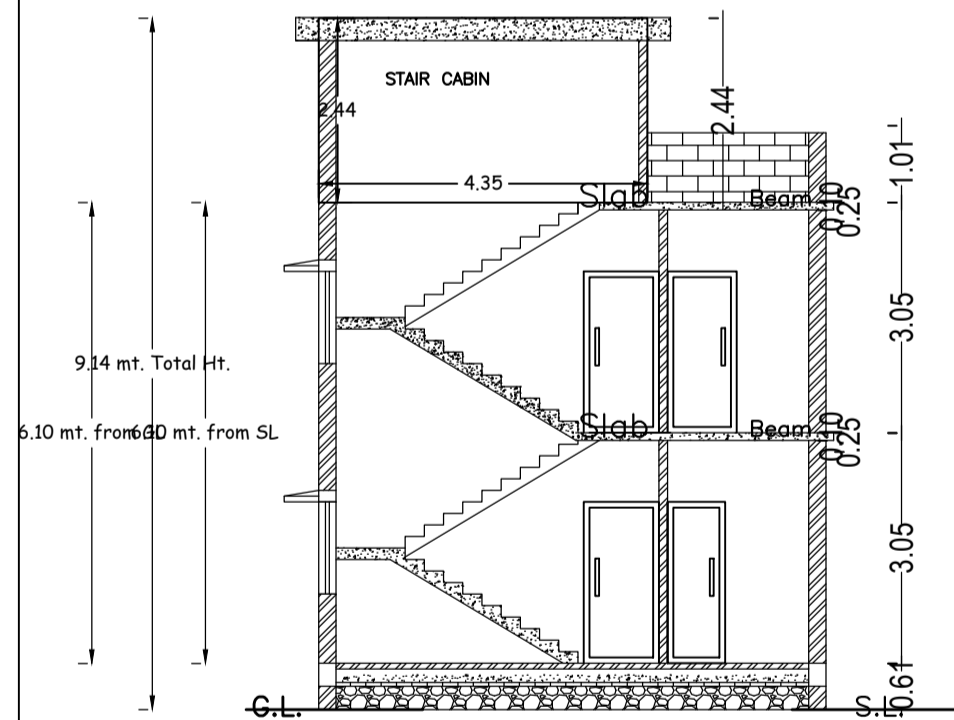
KEY PLAN
NOT TO SCALE



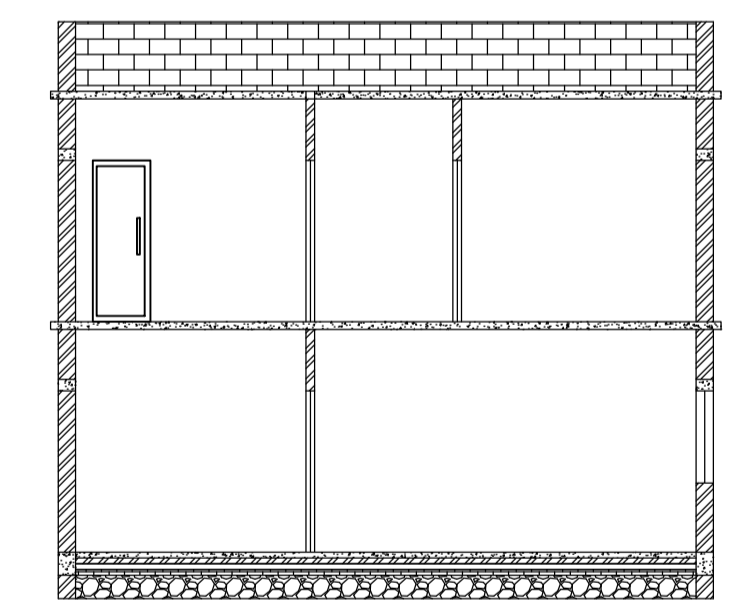
KEY PLAN
NOT TO SCALE



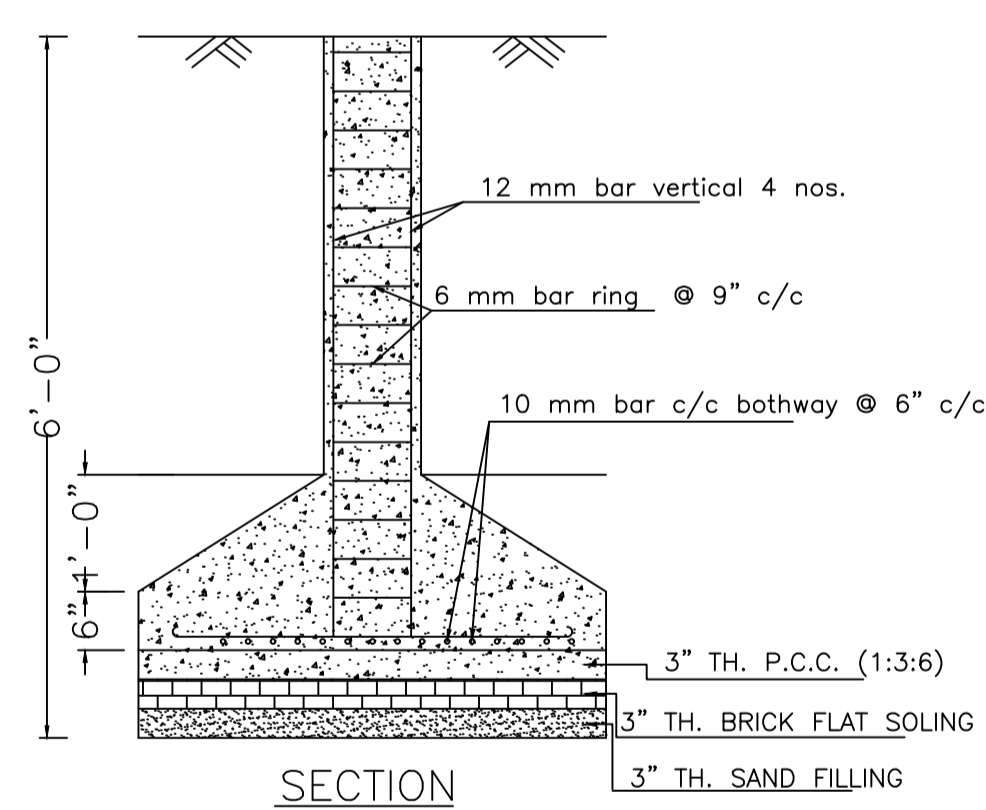
DETAILS OF SEPTIC TANK



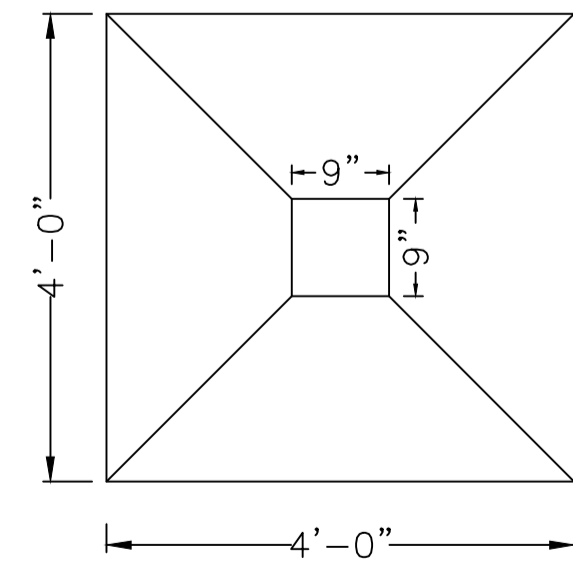
SECTION - XX'



SECTION - YY'

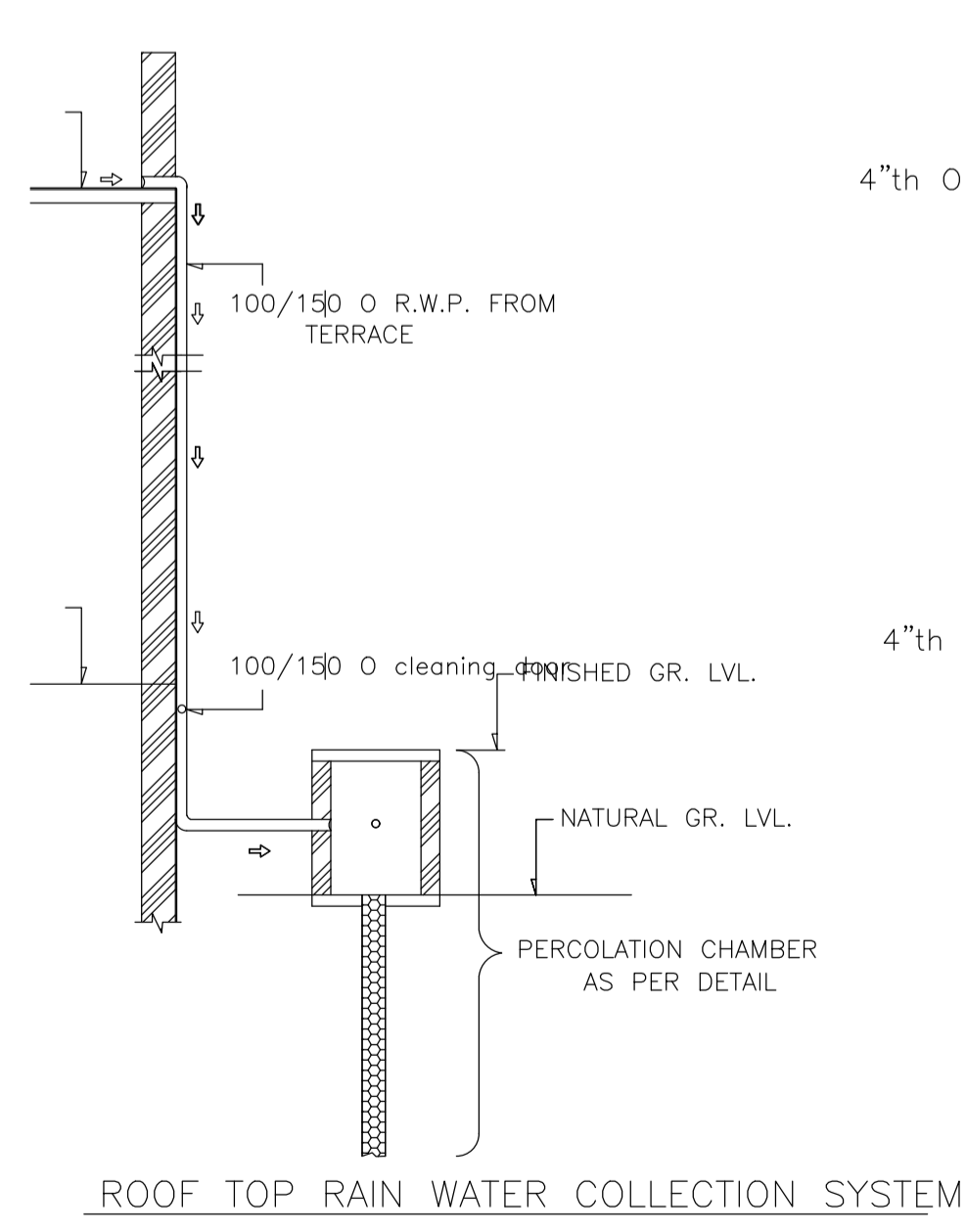


SECTION

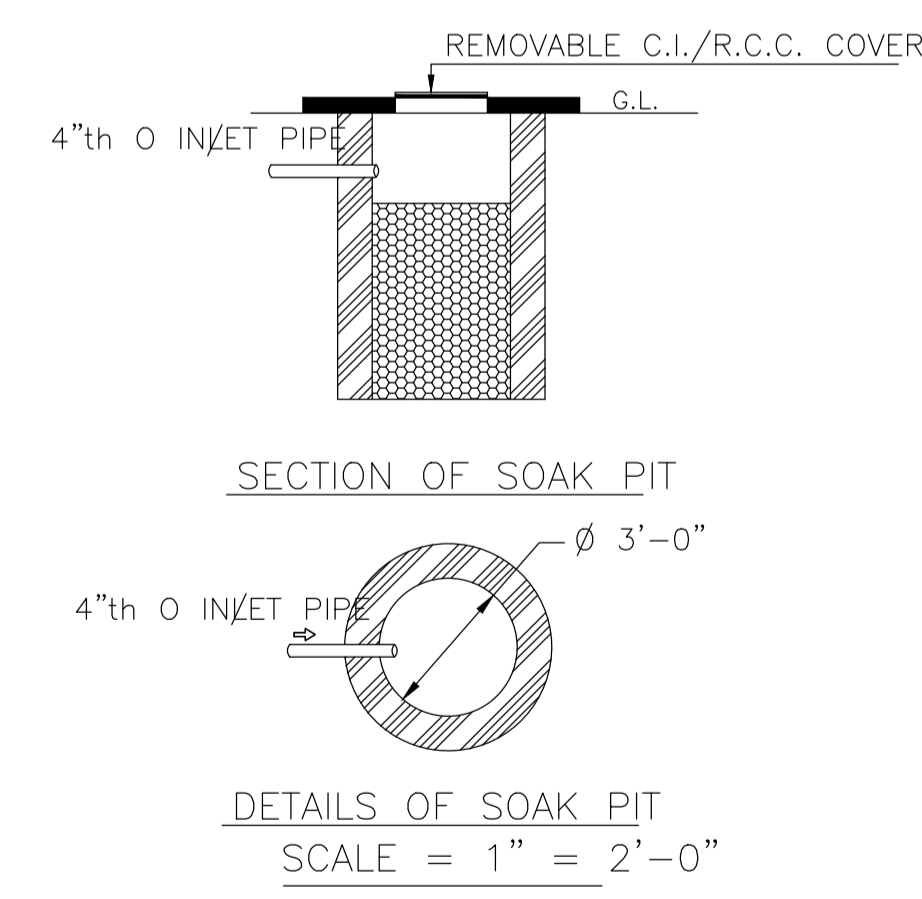


PLAN

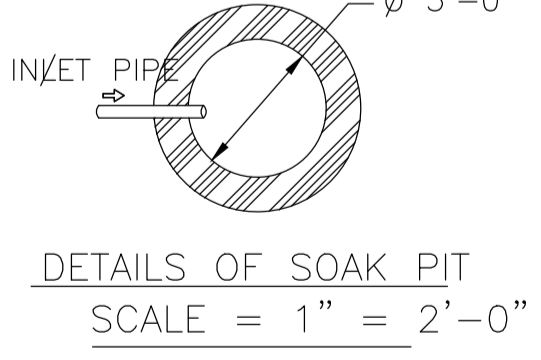
DETAILS OF COLUMN FOUNDATION



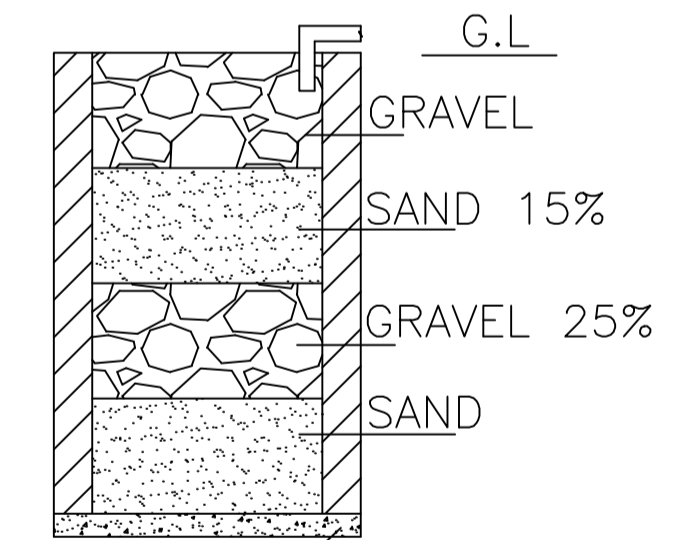
ROOF TOP RAIN WATER COLLECTION SYSTEM



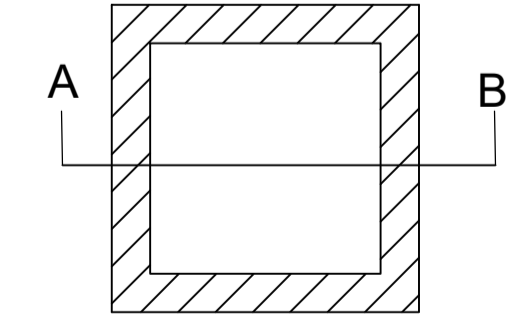
SECTION OF SOAK PIT



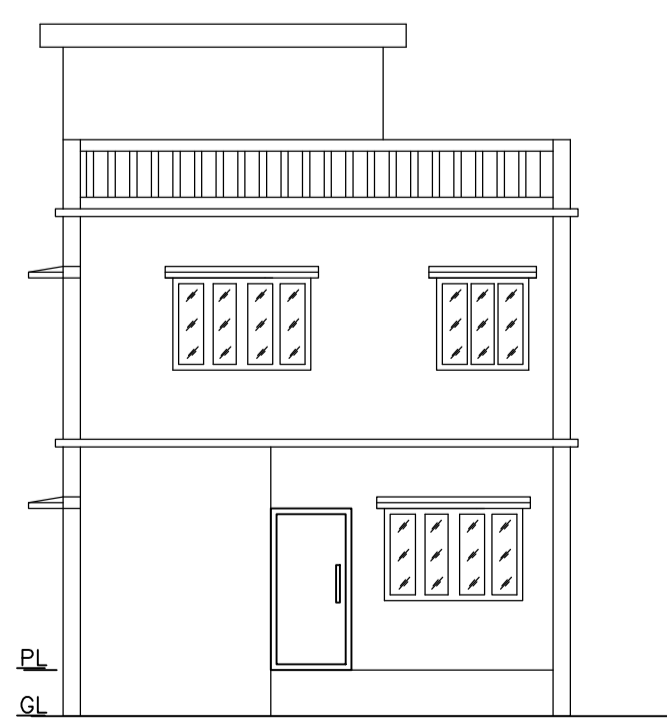
DETAILS OF SOAK PIT
SCALE = 1" = 2'-0"



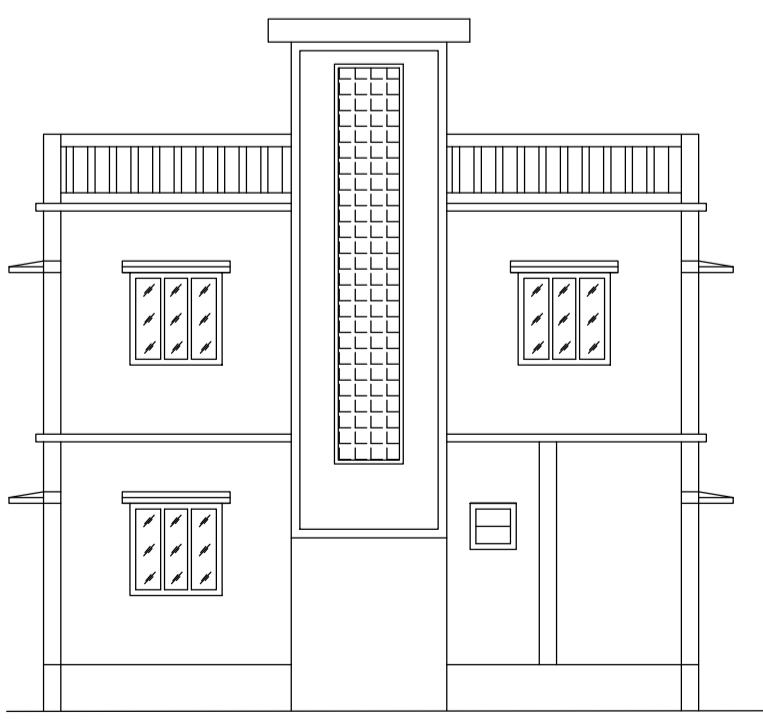
SECTION ON A - B



DETAILS DRAWING OF
RAIN WATER HARVESTING



FRONT ELEVATION



LEFT SIDE ELEVATION

LTP NAME AND SIGNATURE	STRUCTURAL ENG'S NAME AND SIGNATURE	BUILDER NAME AND SIGNATURE	DIGITAL SIGNATURE
RAM PRATAP SINGH MADA/ARC/0024/2019			