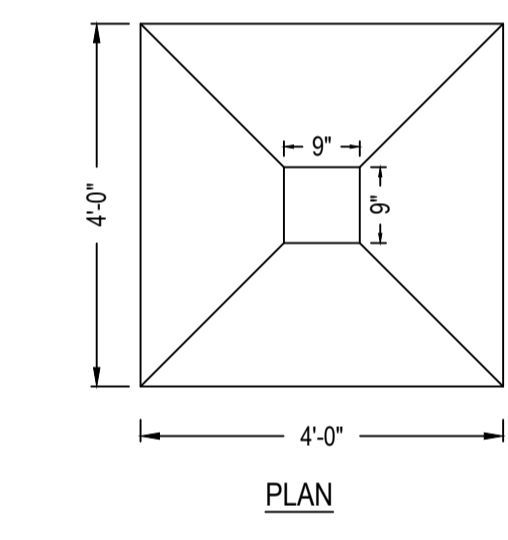
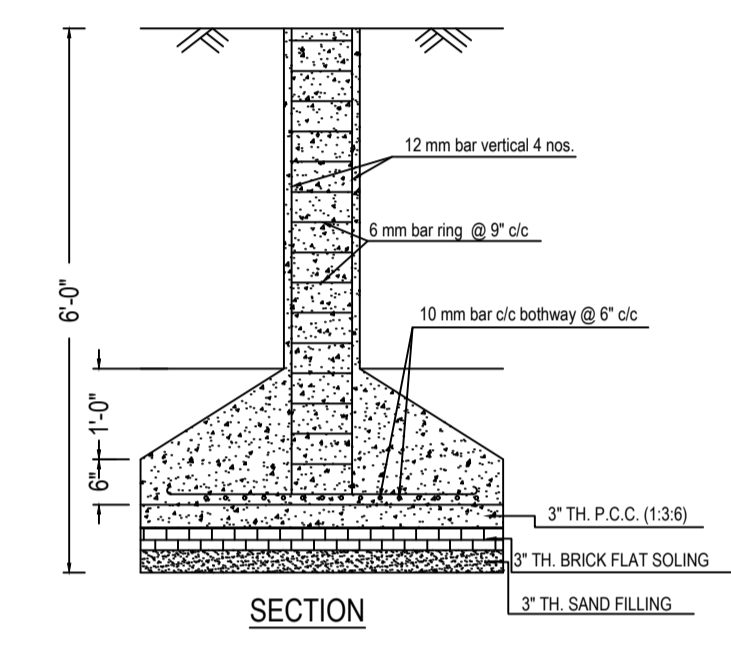
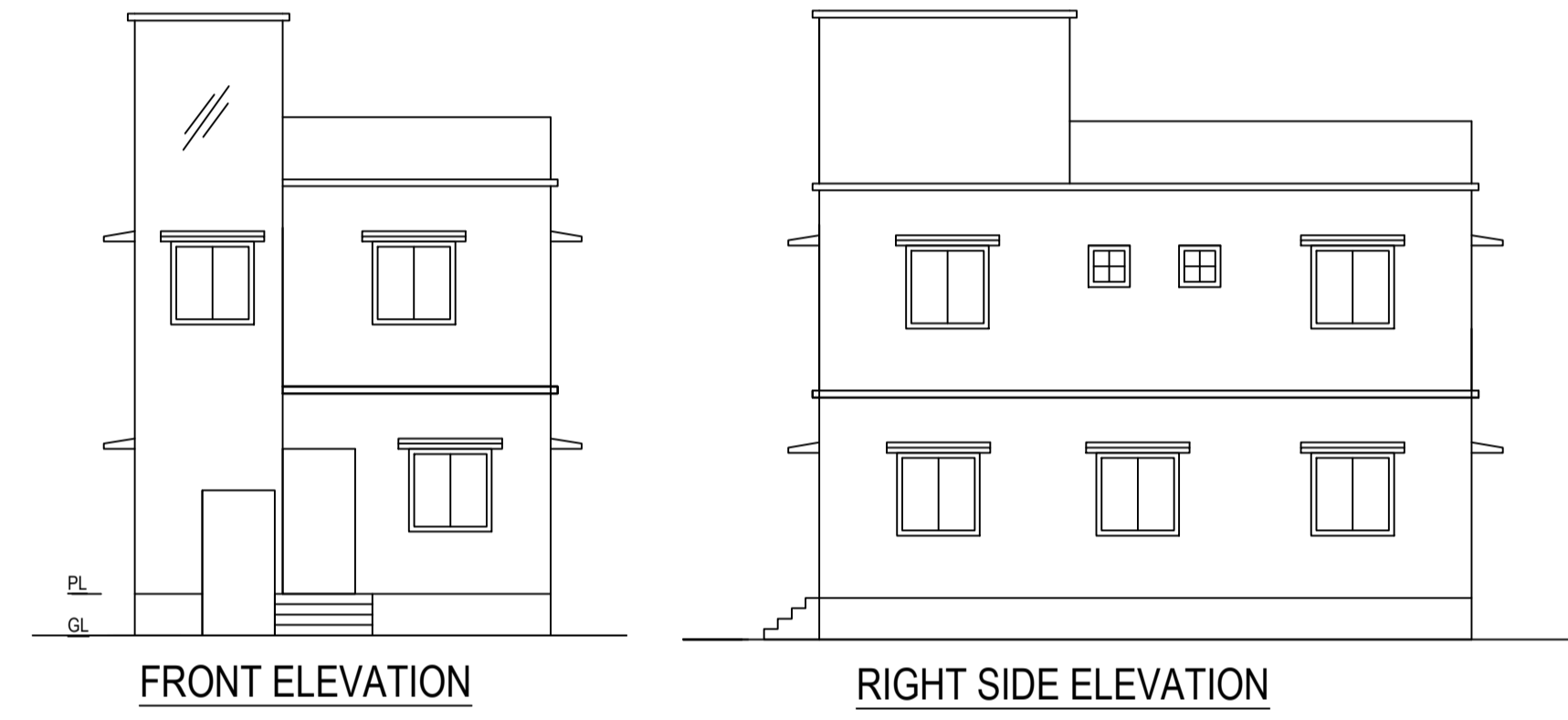
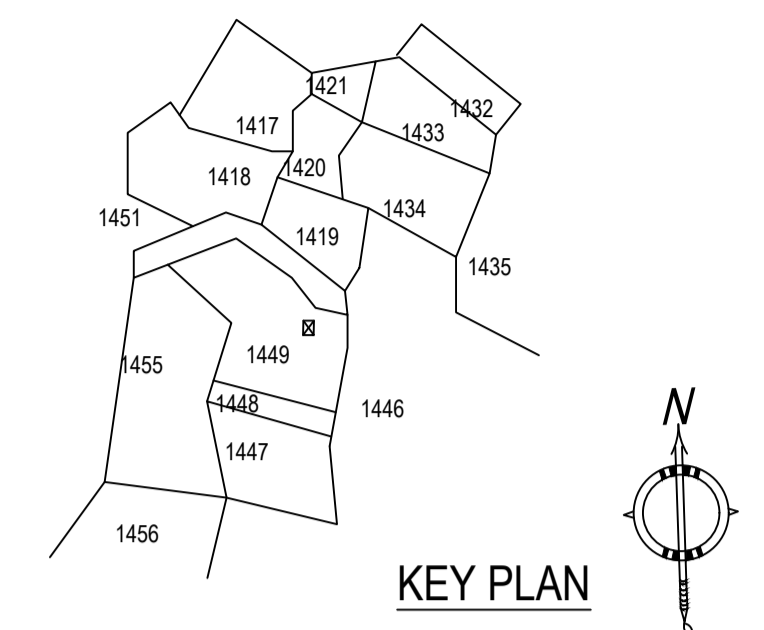
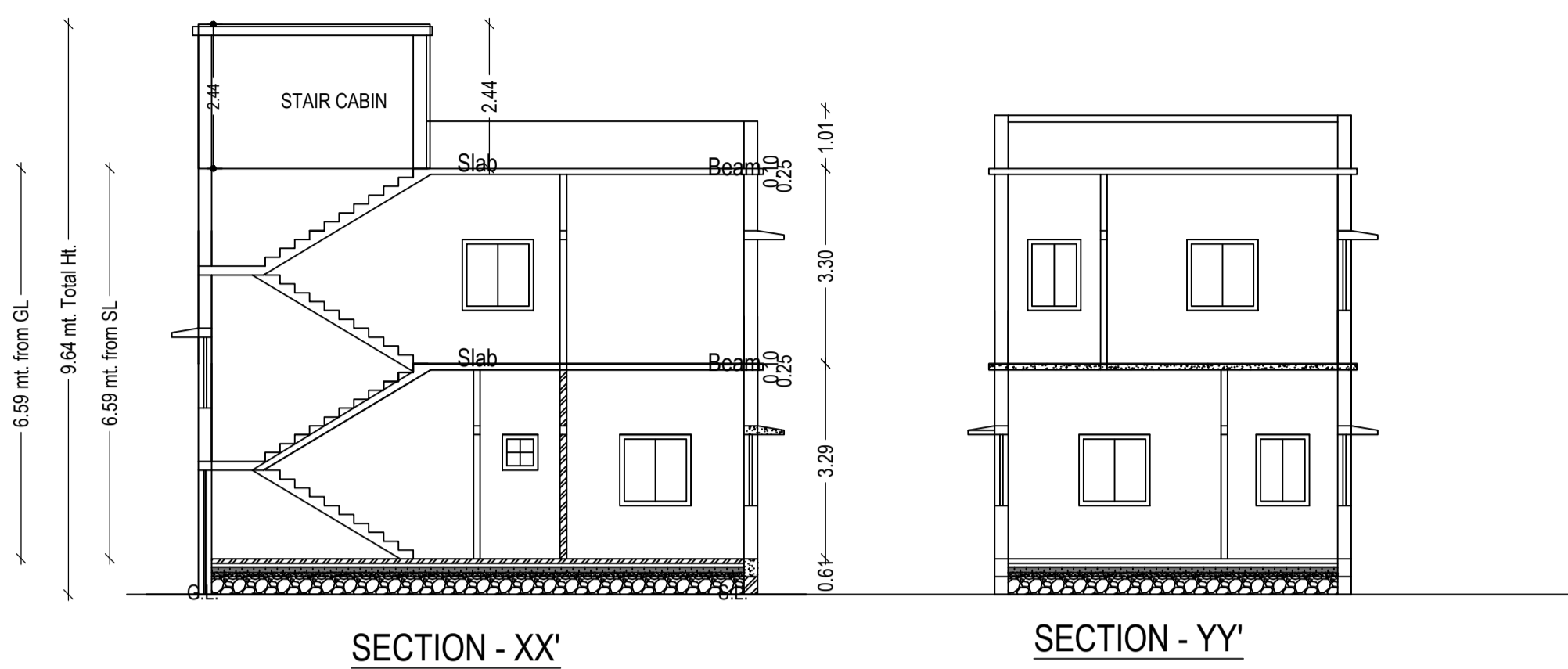
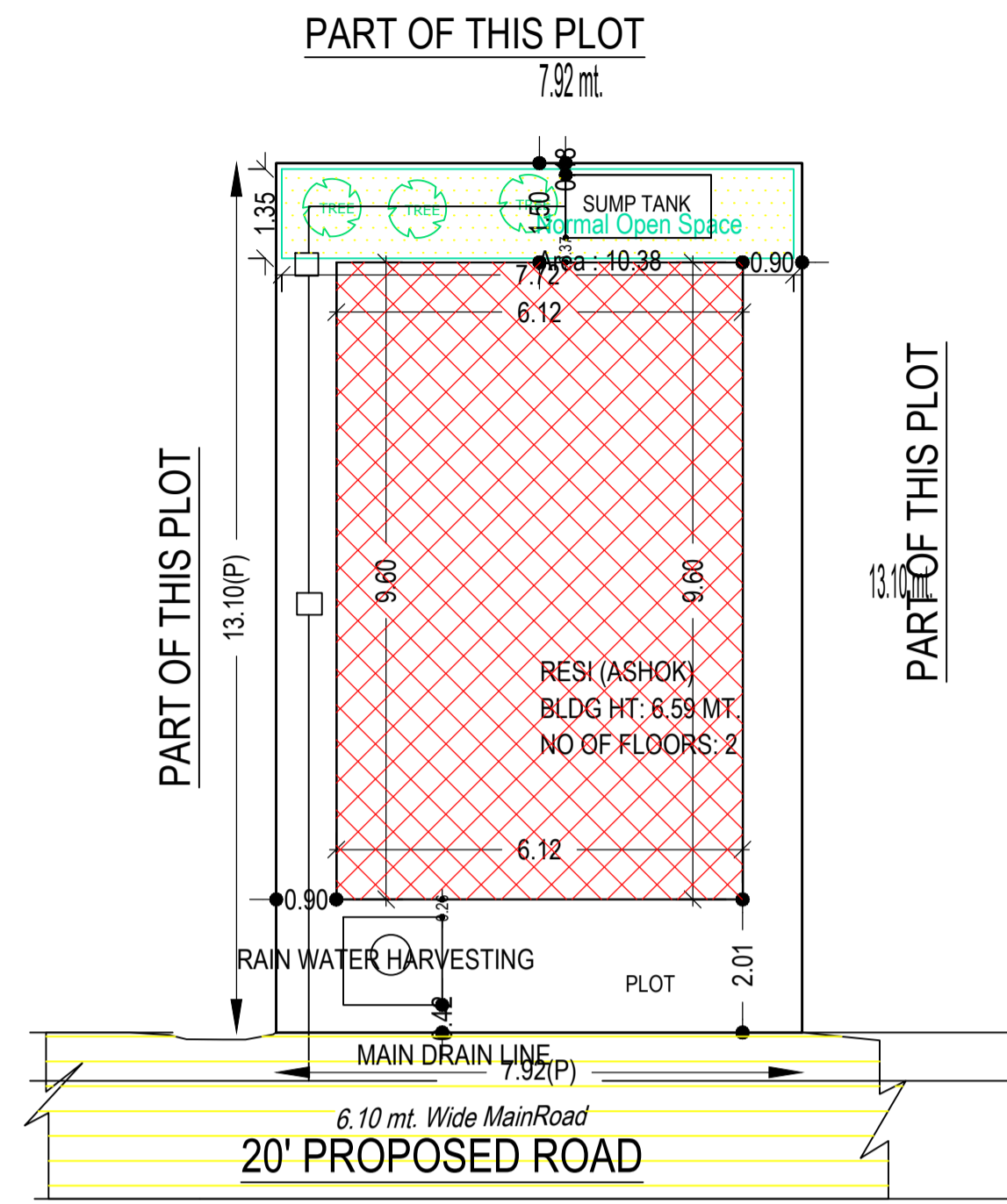


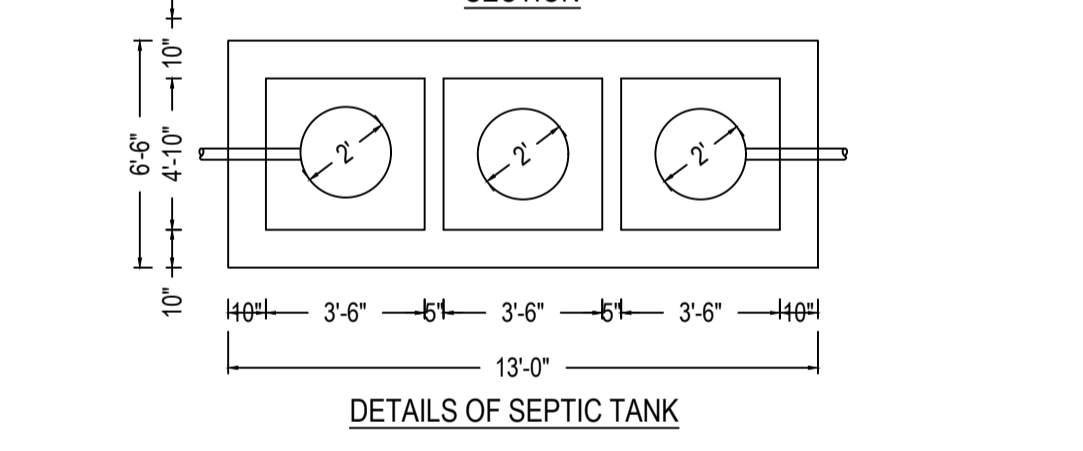
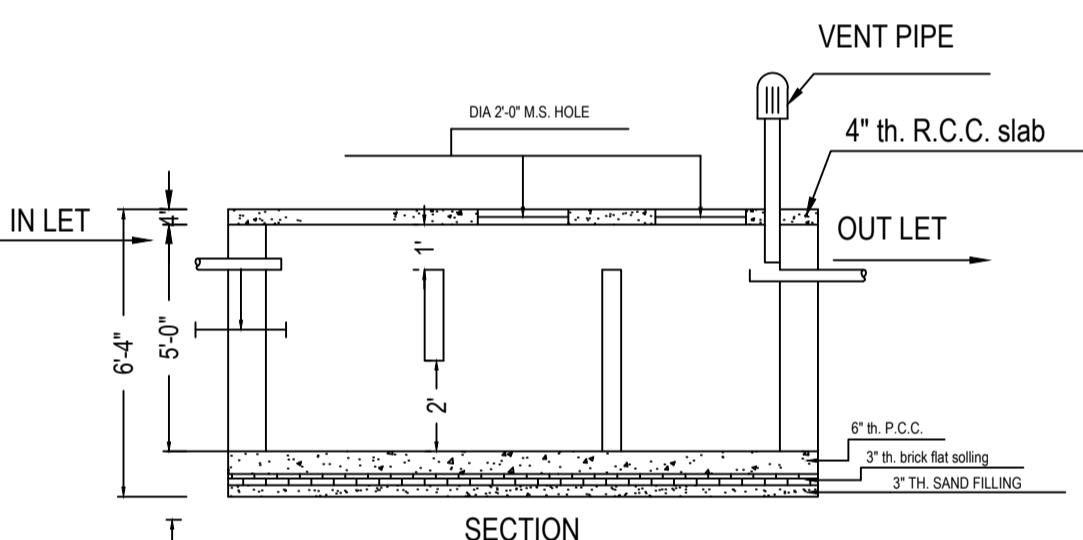
Proposal Basic Information

Proposal File No.	MADA/BP/0010/2023
Owner Name	SRI. ASHOK KUMAR
Khata No	OLD KHATA NO-69, NEW KHATA NO-134
Plot No	OLD PLOT NO-501, NEW PLOT NO-1449
Village Name	Jialgora
Use	Residential
SubUse	Bungalow/ Dwelling / Non Apartment

AREA STATEMENT MINERAL AREA DEVELOPMENT AUTHORITY	VERSION NO. : 1.0.65	VERSION DATE: 16/10/2020
PROJECT DETAIL:		
Region: JHARKHAND URBAN LOCAL BODIES	Plot Use: Residential	
District: DHANBAD	Plot SubUse: Bungalow/ Dwelling / Non Apartment	
Authority: MINERAL AREA DEVELOPMENT AUTHORITY	Plot/Nearby/Religious/Structure: NA	
Inward No: MADA/BP/0010/2023	Plot/SubPlot No: OLD PLOT NO-501, NEW PLOT NO-1449	
Application Type: General Proposal	North: Plot No. - SAME PLOT	
Project Type: Building Permission	South: Plot No. - SAME PLOT	
Nature of Development: New	East: Plot No. - SAME PLOT	
Location of Development Area: Old Area	West: Road Width - 6.10	
AREA DETAILS:		
AREA OF PLOT (Minimum)	(A)	103.82
NET AREA OF PLOT(Gross Plot Area - Deduction from Gross Plot area)	(A-Deductions)	103.82
Deduction for Balance Plot Area(from Gross Plot Area)		
Common Plot		10.38
Total		10.38
BALANCE AREA OF PLOT(Net Plot Area - Recreational/Amenity space)	(A-Deductions)	93.44
PLOT AREA FOR COVERAGE(Net Plot Area)	(A-Deductions)	103.82
Plot Area for FAR (Net Plot Area + RoadWidening Area)	(A-Deductions)	103.82
COVERAGE CHECK		
Permissible Coverage area ( 70.00 % )		72.67
Proposed Coverage Area ( 56.61 % )		58.77
Total Prop. Coverage Area ( 56.61 % )		58.77
Balance coverage area ( 13.39 % )		13.90
FAR CHECK		
Perm. FAR Area ( 2.500 )		259.55
Total Perm. FAR area		259.55
Residential FAR		117.55
Proposed FAR Area		117.55
Total Proposed FAR Area		117.55
Consumed FAR (Factor)		1.13
Balance FAR Area		142.00
BUILT UP AREA CHECK		
Total Proposed BuiltUp Area		117.54
ARCHITECT (Regd)		RAM PRATAP SINGH
ENGINEER (Regd)		
SUPERVISOR (Regd)		
OWNER (Regd)		SRI. ASHOK KUMAR
DEVELOPMENT AUTHORITY		LOCAL BODY



DETAILS OF COLUMN FOUNDATION



Building :RESI (ASHOK)

Floor Name	Total Built Up Area (Sq.mt.)	Proposed FAR Area (Sq.mt.) Resi.	Total FAR Area (Sq.mt.)	Total Consumed Additional FAR Area (Sq.mt.)	Tnmt (No.)
Ground Floor	58.77	58.77	58.77	58.77	01
First Floor	58.77	58.77	58.77	58.77	00
Terrace Floor	0.00	0.00	0.00	0.00	00
Total :	117.54	117.54	117.54	117.54	01
Total Number of Same Buildings	1				
Total :	117.54	117.54	117.54	117.54	01

SCHEDULE OF DOOR:

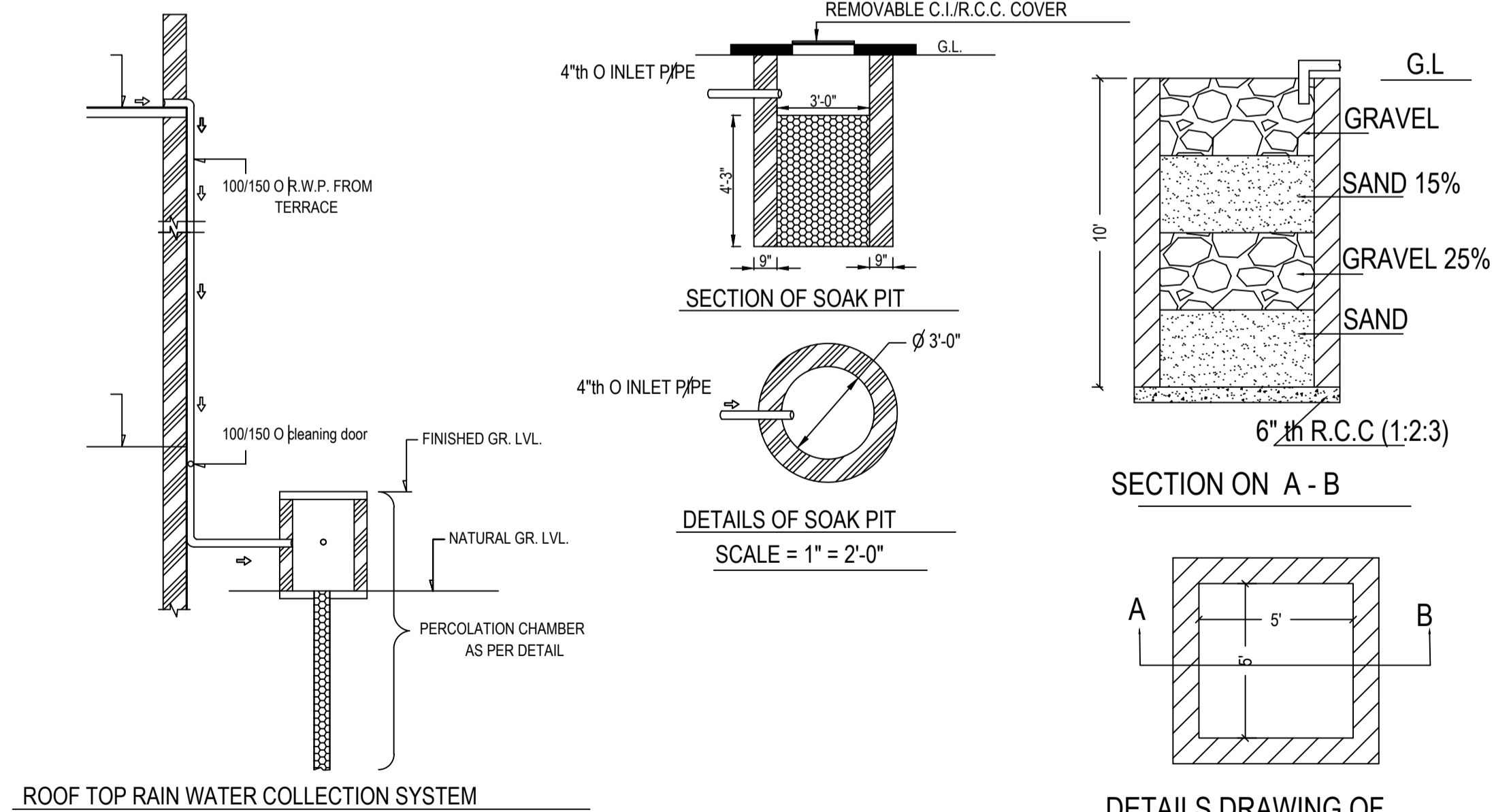
BUILDING NAME	NAME	LENGTH	HEIGHT	NOS
RESI (ASHOK)	D	0.76	2.10	03
RESI (ASHOK)	D	0.91	2.10	02
RESI (ASHOK)	D	1.07	2.10	04

SCHEDULE OF WINDOW/VENTILATION:

BUILDING NAME	NAME	LENGTH	HEIGHT	NOS
RESI (ASHOK)	w	0.61	1.20	03
RESI (ASHOK)	w	0.91	1.20	02
RESI (ASHOK)	w	1.22	1.20	12

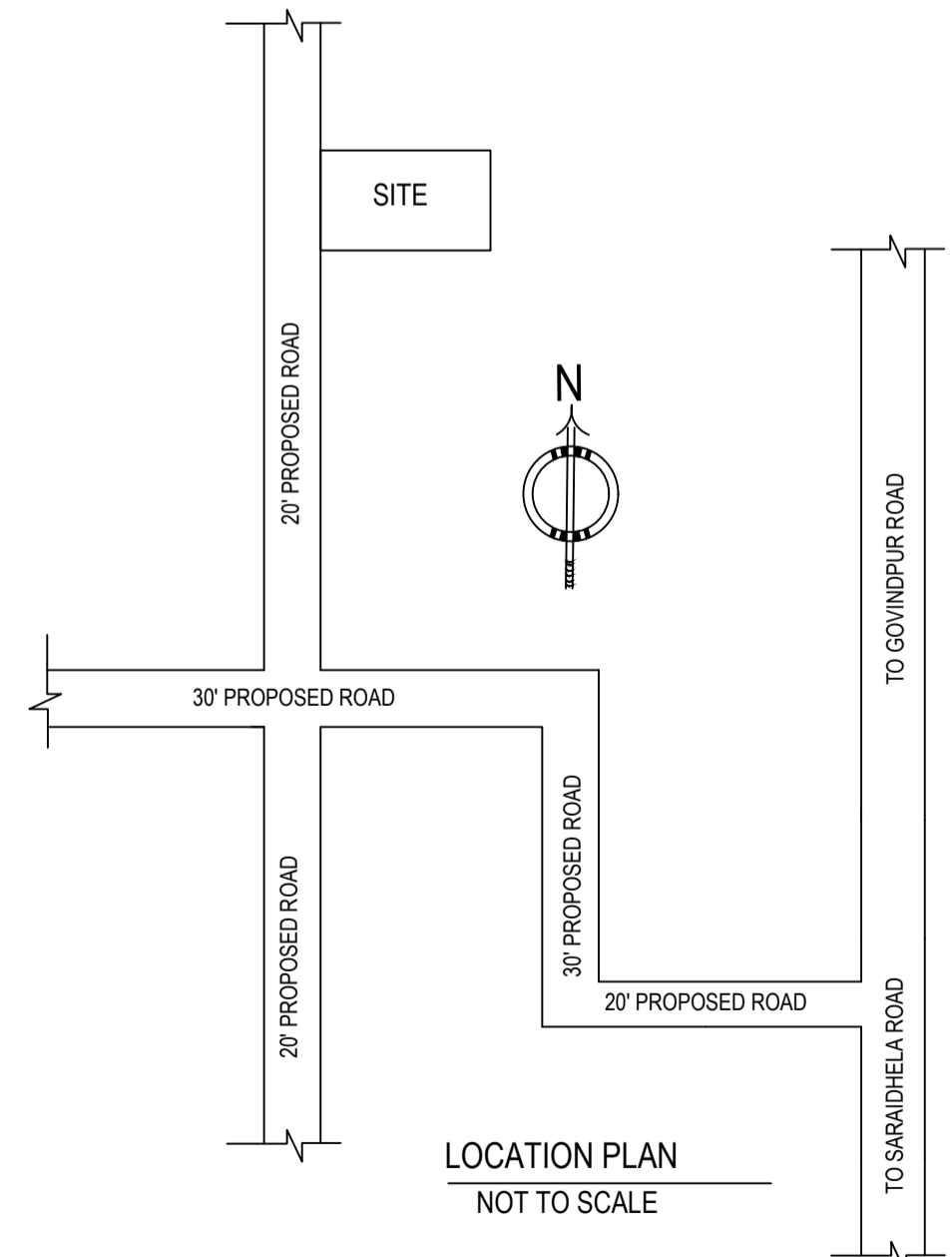
UnitBUA Table for Building :RESI (ASHOK)

FLOOR	Name	UnitBUA Type	UnitBUA Area	Carpet Area	No. of Rooms	No. of Tenement
GROUND FLOOR PLAN	SPLIT 1	FLAT	117.55	117.46	5	1
FIRST FLOOR PLAN	SPLIT 1	FLAT	0.00	0.00	6	0
Total:	-	-	117.55	117.46	11	1



DETAILS DRAWING OF RAIN WATER HARVESTING

ROOF TOP RAIN WATER COLLECTION SYSTEM



COLOR INDEX

PLOT BOUNDARY	Black
ABUTTING ROAD	Red
PROPOSED CONSTRUCTION	Green
COMMON PLOT	Yellow
ROAD WIDENING AREA	Blue
EXISTING (To be retained)	Orange
EXISTING (To be demolished)	Purple

Buildingwise Floor FAR Details

Floor Name	Building Name		Total	
	Proposed Built Up Area (Sq.mt.)	Proposed FAR Area (Sq.mt.)	Total Proposed Built Up Area (Sq.mt.)	Total FAR Area (Sq.mt.)
Ground Floor	58.77	58.77	58.77	58.77
First Floor	58.77	58.77	58.77	58.77
Terrace Floor	0.00	0.00	0.00	0.00
Total :	117.54	117.54	117.54	117.54

Building USE/SUBUSE Details

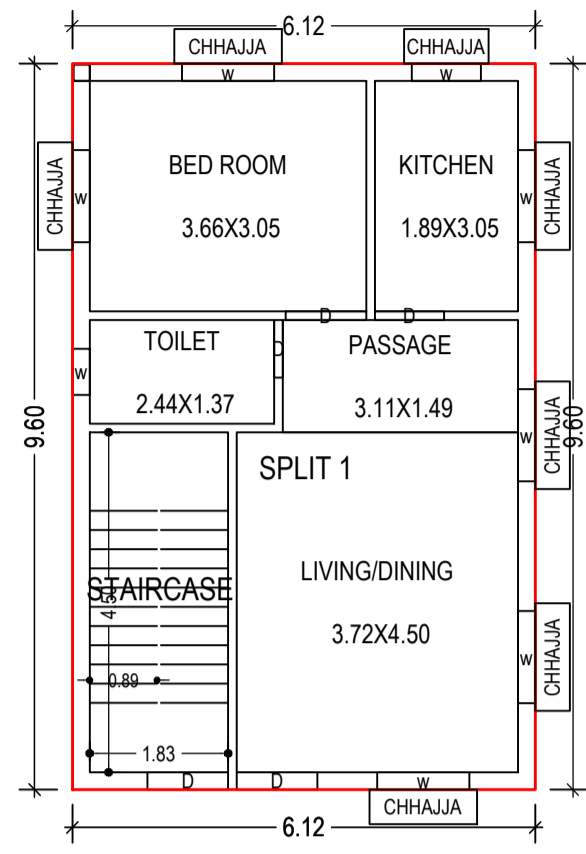
Building Name	Building Use	Building SubUse	Building Structure
RESI (ASHOK)	Residential	Bungalow/ Dwelling / Non Apartment	Non-Highrise

FAR & Tenement Details (Table 4c-1)

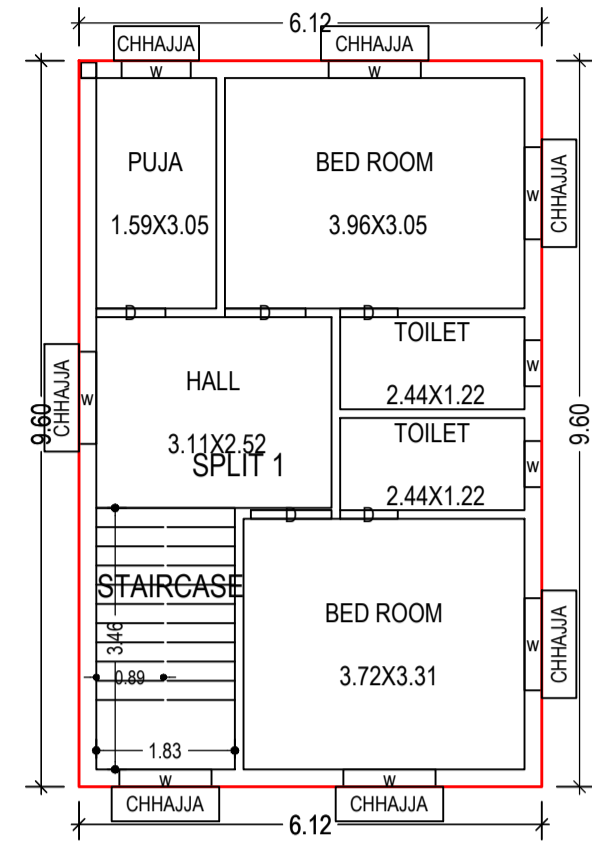
Building	No. of Same Bldg	Total Built Up Area (Sq.mt.)	Proposed FAR Area (Sq.mt.) Resi.	Total FAR Area (Sq.mt.)	Total Consumed Additional FAR Area (Sq.mt.)	Tnmt (No.)
RESI (ASHOK)	1	117.54	117.54	117.54	117.54	01
Grand Total :	1	117.54	117.54	117.54	117.54	01

LTP NAME AND SIGNATURE	STRUCTURAL ENG'S NAME AND SIGNATURE	BUILDER NAME AND SIGNATURE	DIGITAL SIGNATURE
RAM PRATAP SINGH MADA/ARC/0024/2019			

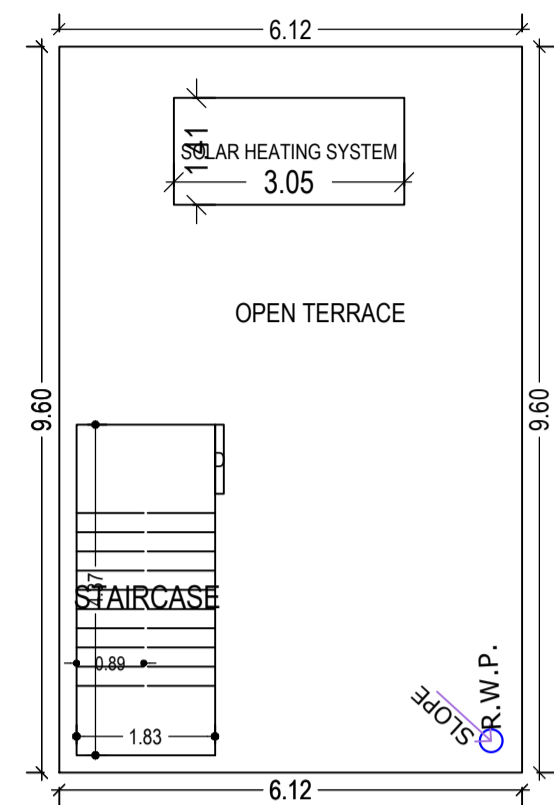
Proposal Basic Information	
Proposal File No.	MADA/BP/0010/2023
Owner Name	SRI. ASHOK KUMAR
Khata No	OLD KHATA NO-69, NEW KHATA NO-134
Plot No	OLD PLOT NO-501, NEW PLOT NO-1449
Village Name	Jialgora
Use	Residential
SubUse	Bungalow/ Dwelling / Non Apartment



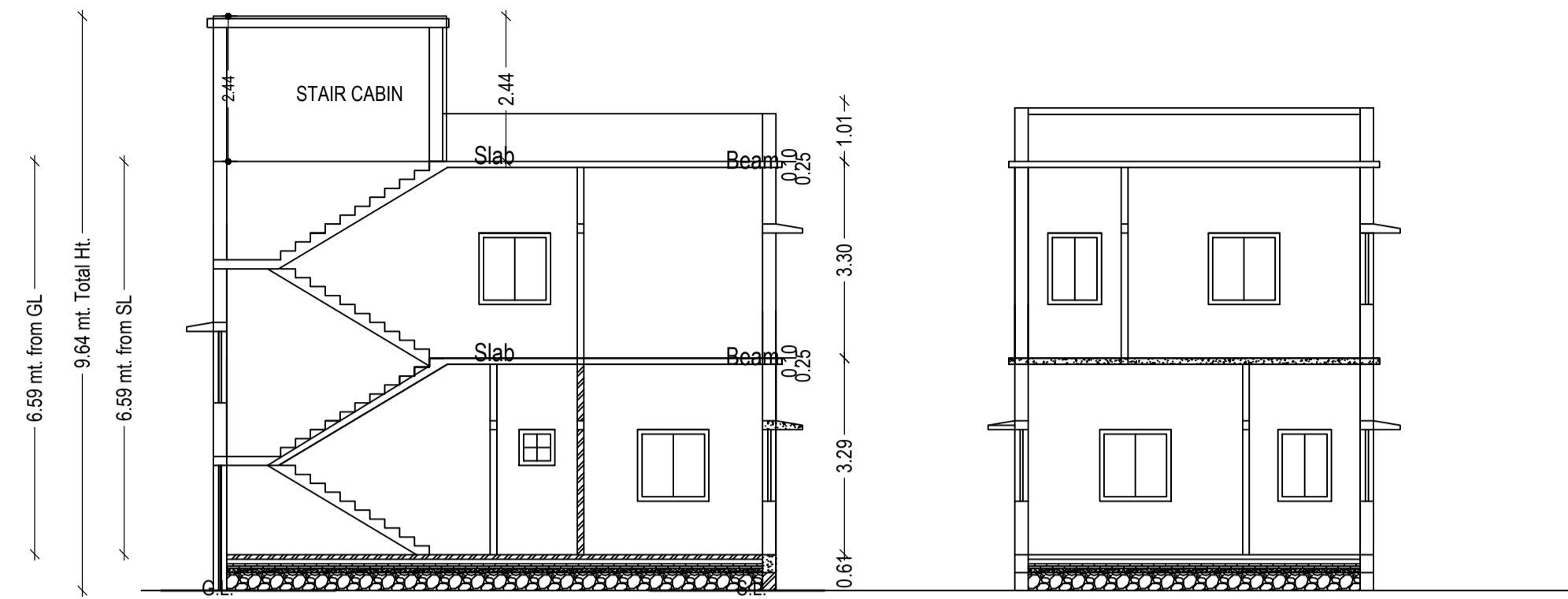
GROUND FLOOR PLAN  
(Proposed)  
(SCALE 1:100)



FIRST FLOOR PLAN  
(Proposed)  
(SCALE 1:100)

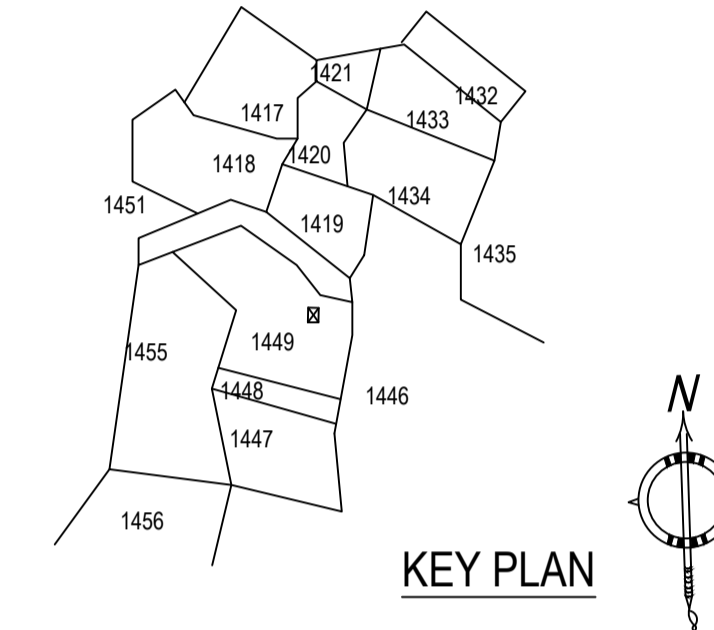


TERRACE FLOOR PLAN  
(Proposed)  
(SCALE 1:100)

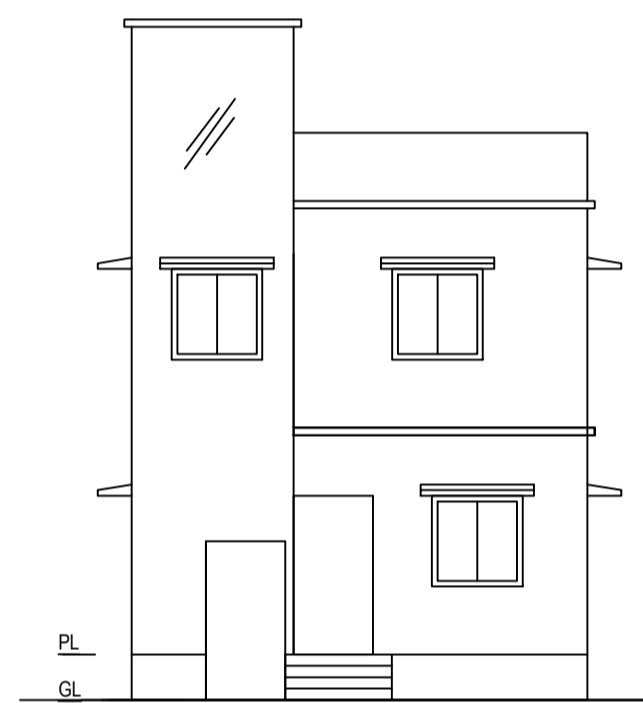


SECTION - XX'

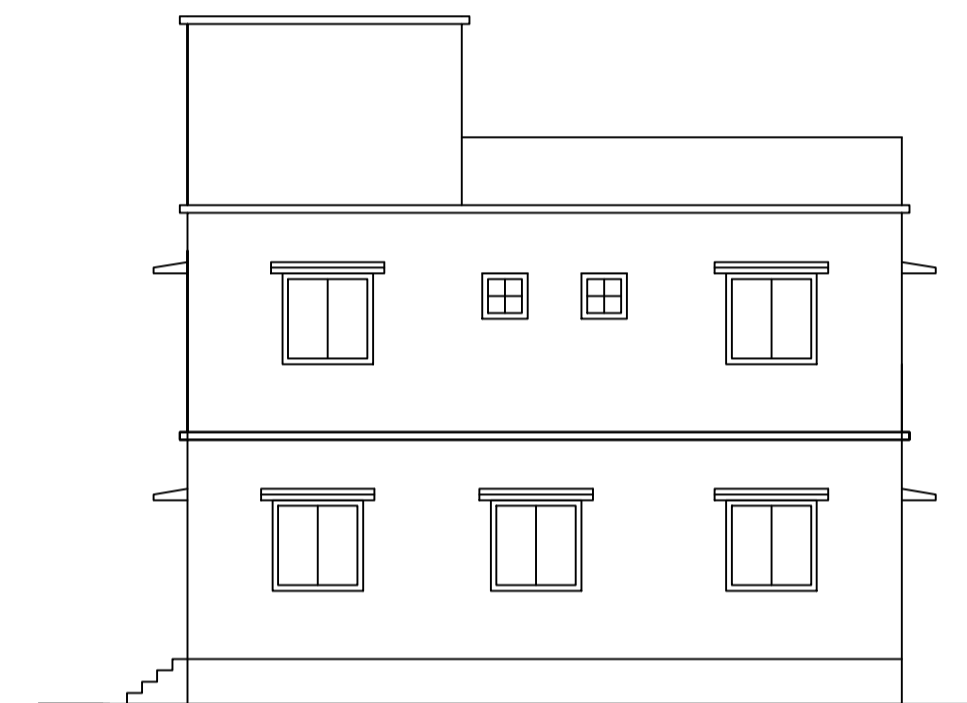
SECTION - YY'



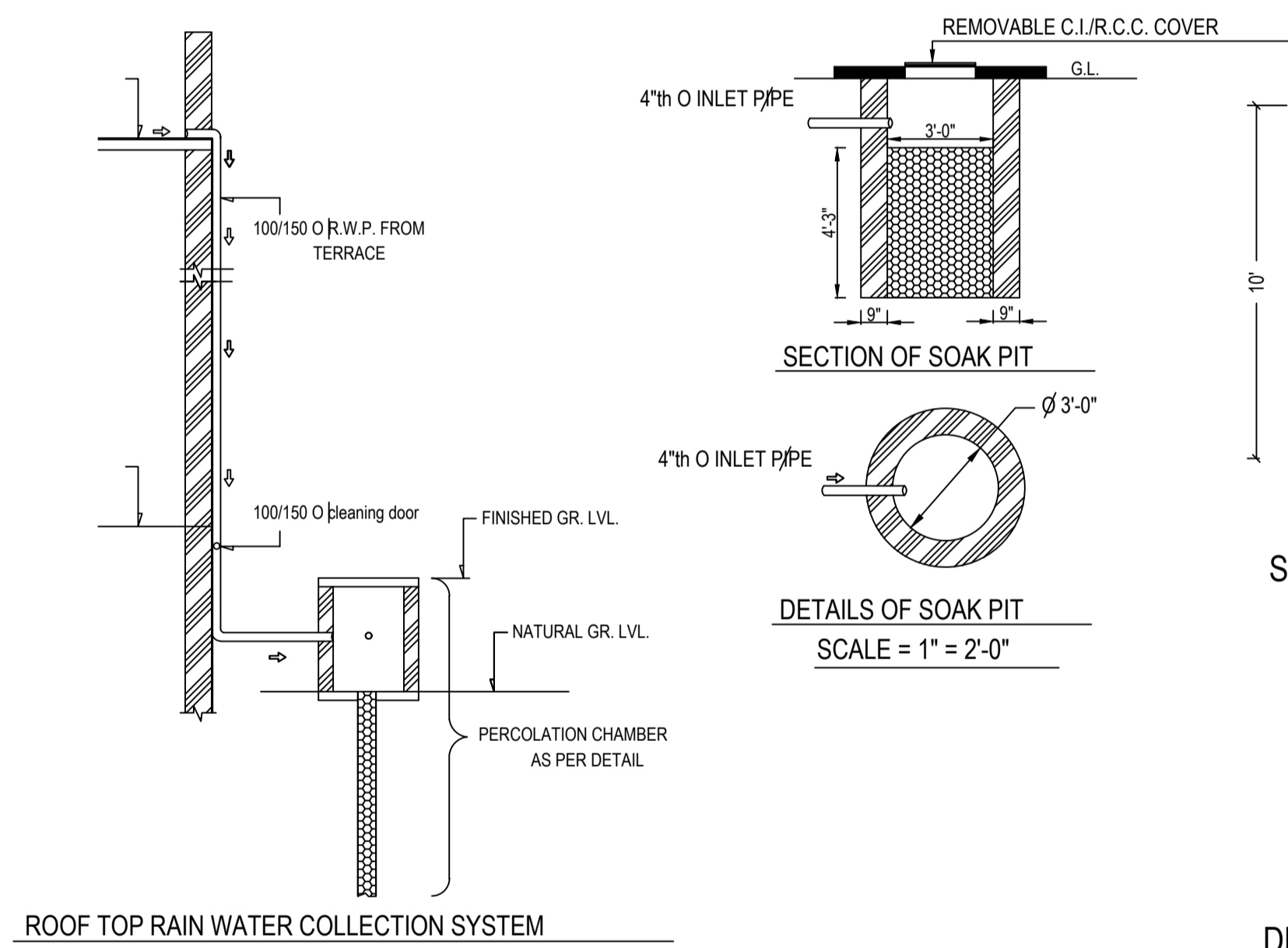
KEY PLAN



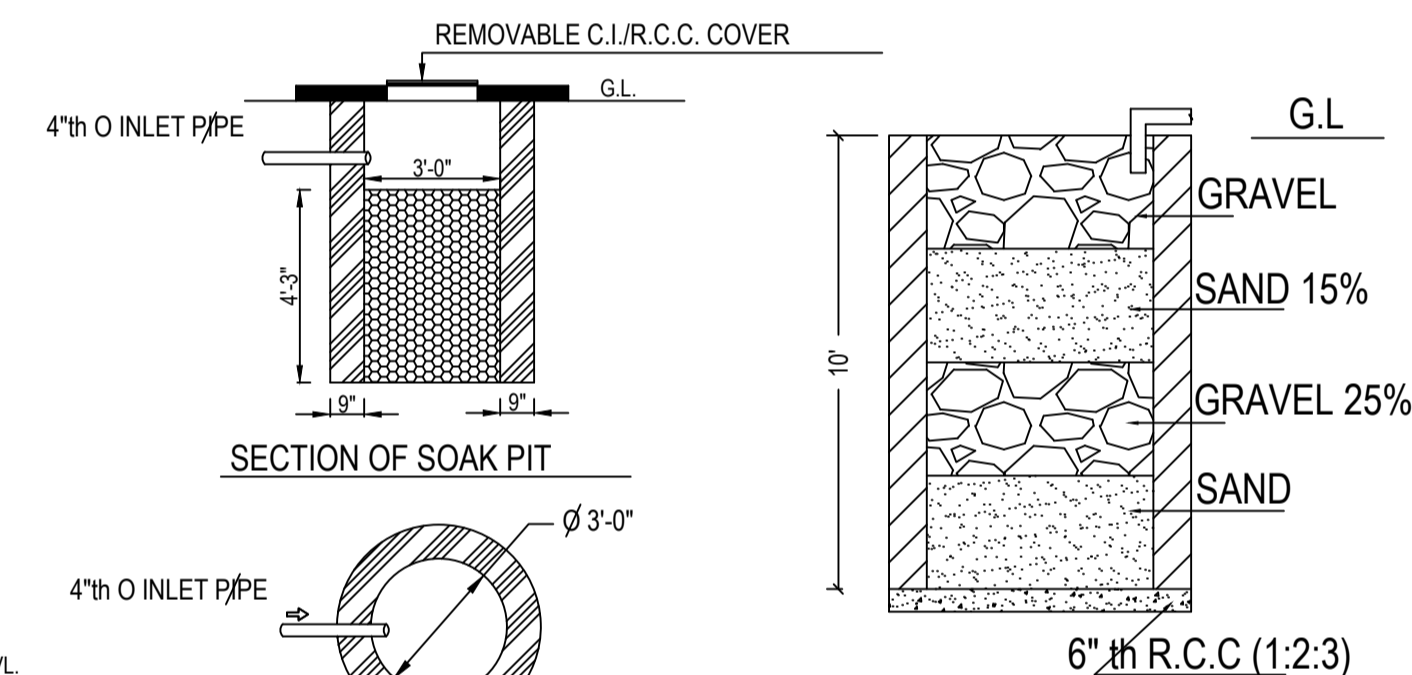
FRONT ELEVATION



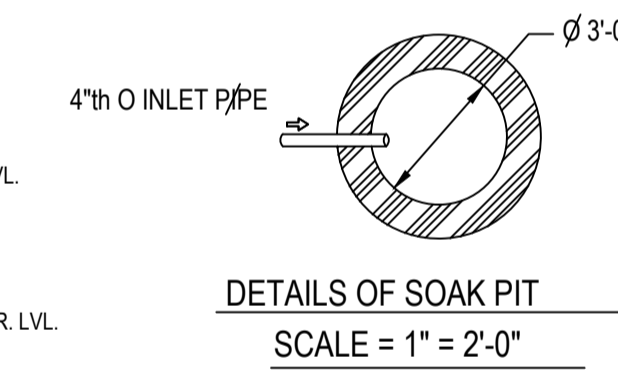
RIGHT SIDE ELEVATION



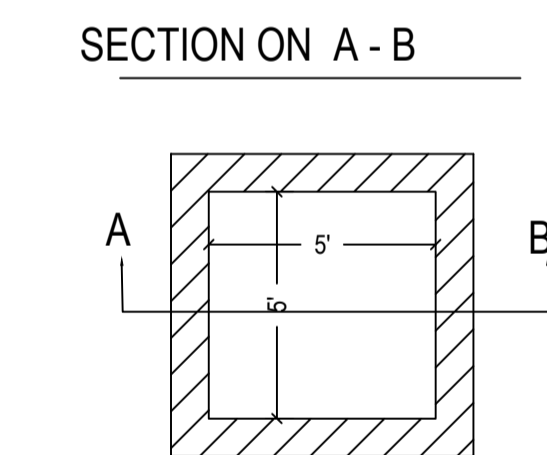
ROOF TOP RAIN WATER COLLECTION SYSTEM



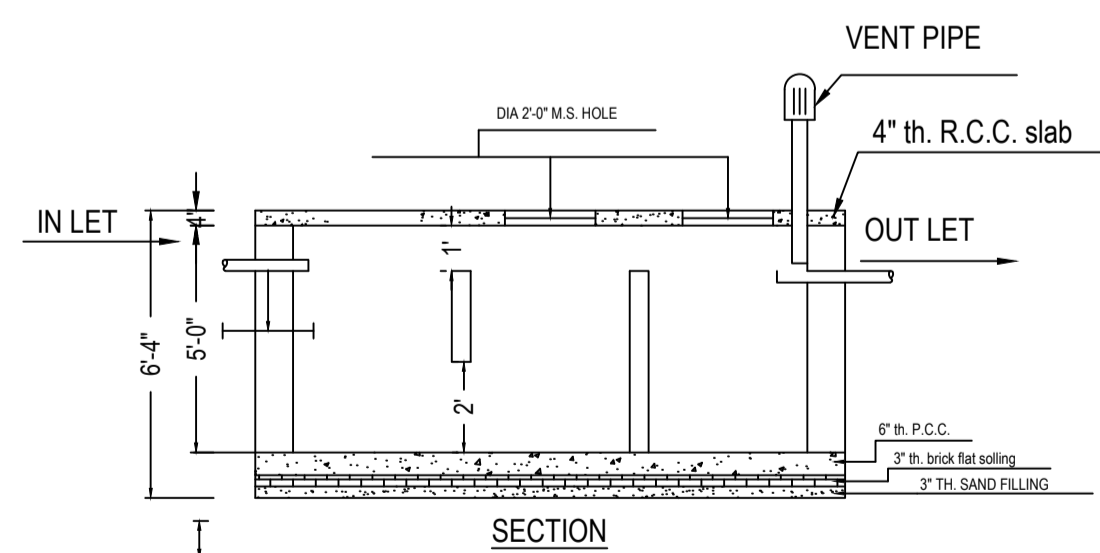
SECTION OF SOAK PIT



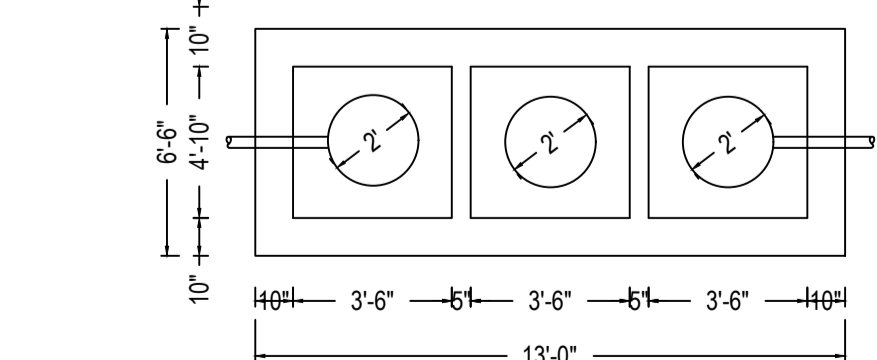
DETAILS OF SOAK PIT  
SCALE = 1" = 2'-0"



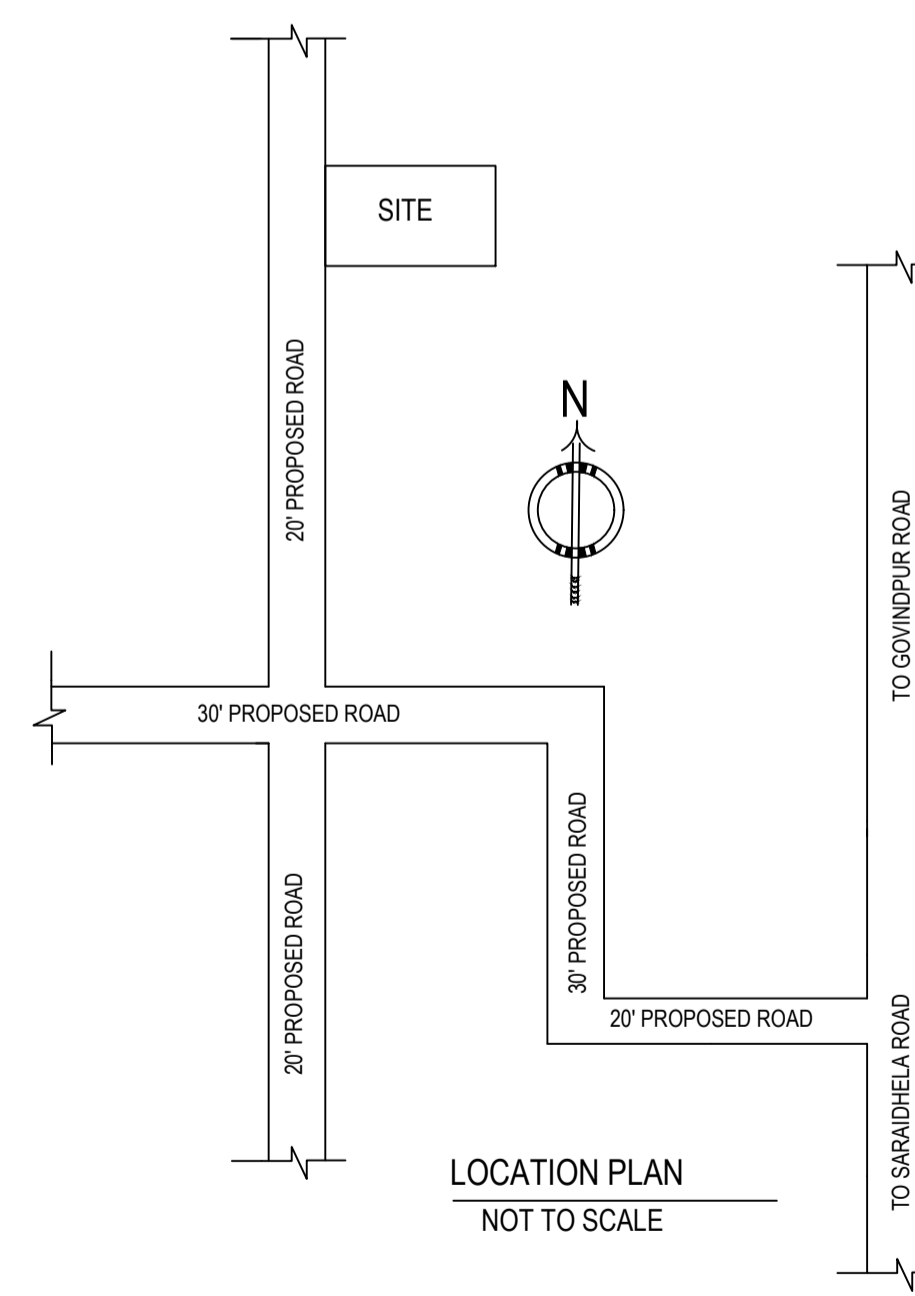
DETAILS DRAWING OF  
RAIN WATER HARVESTING



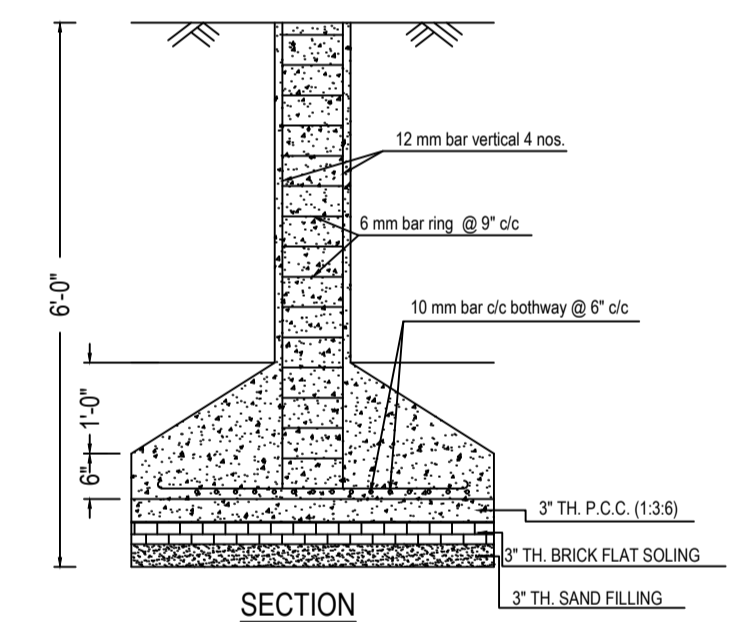
SECTION



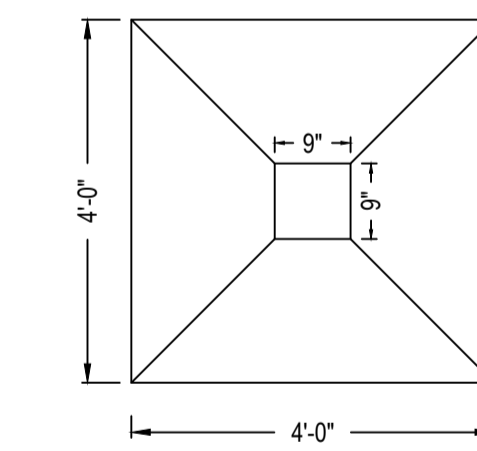
DETAILS OF SEPTIC TANK



LOCATION PLAN  
NOT TO SCALE



SECTION



PLAN

DETAILS OF COLUMN FOUNDATION

LTP NAME AND SIGNATURE	STRUCTURAL ENG'S NAME AND SIGNATURE	BUILDER NAME AND SIGNATURE	DIGITAL SIGNATURE
RAM PRATAP SINGH MADA/ARC/0024/2019			