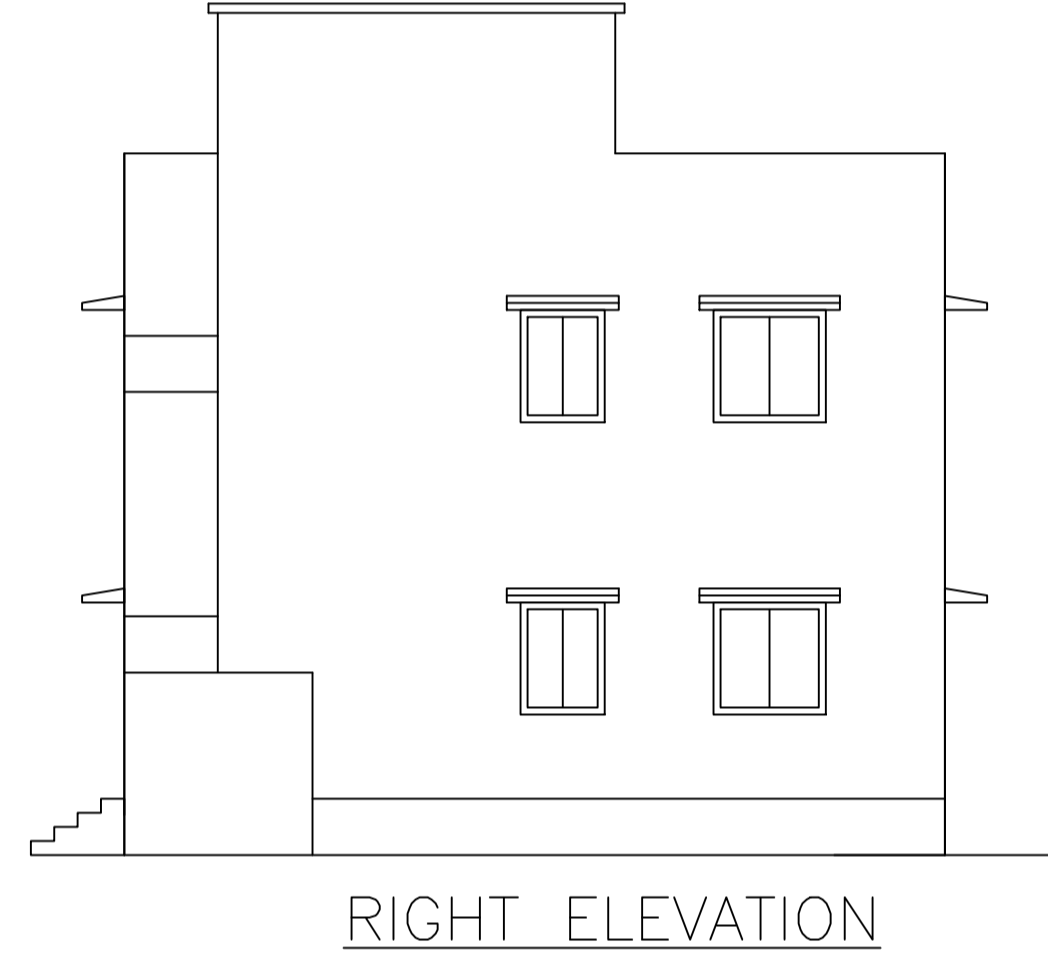
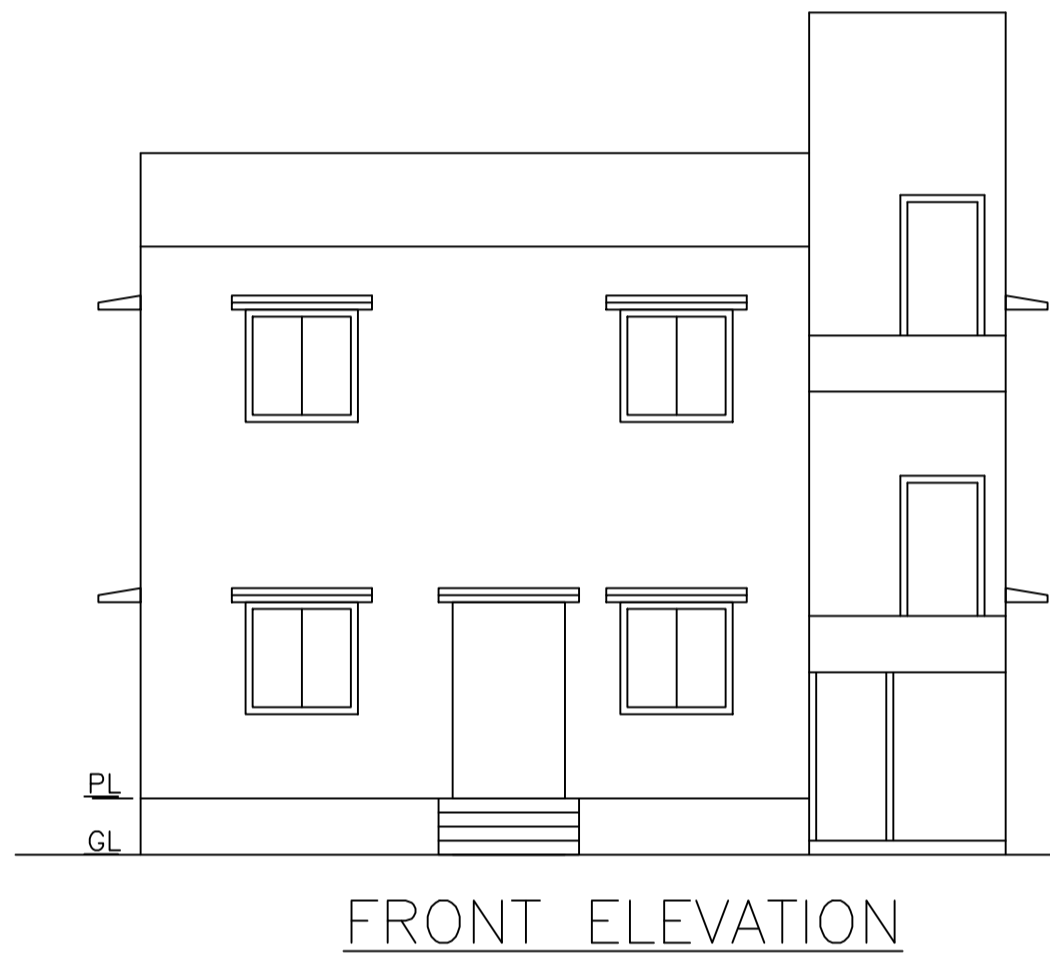
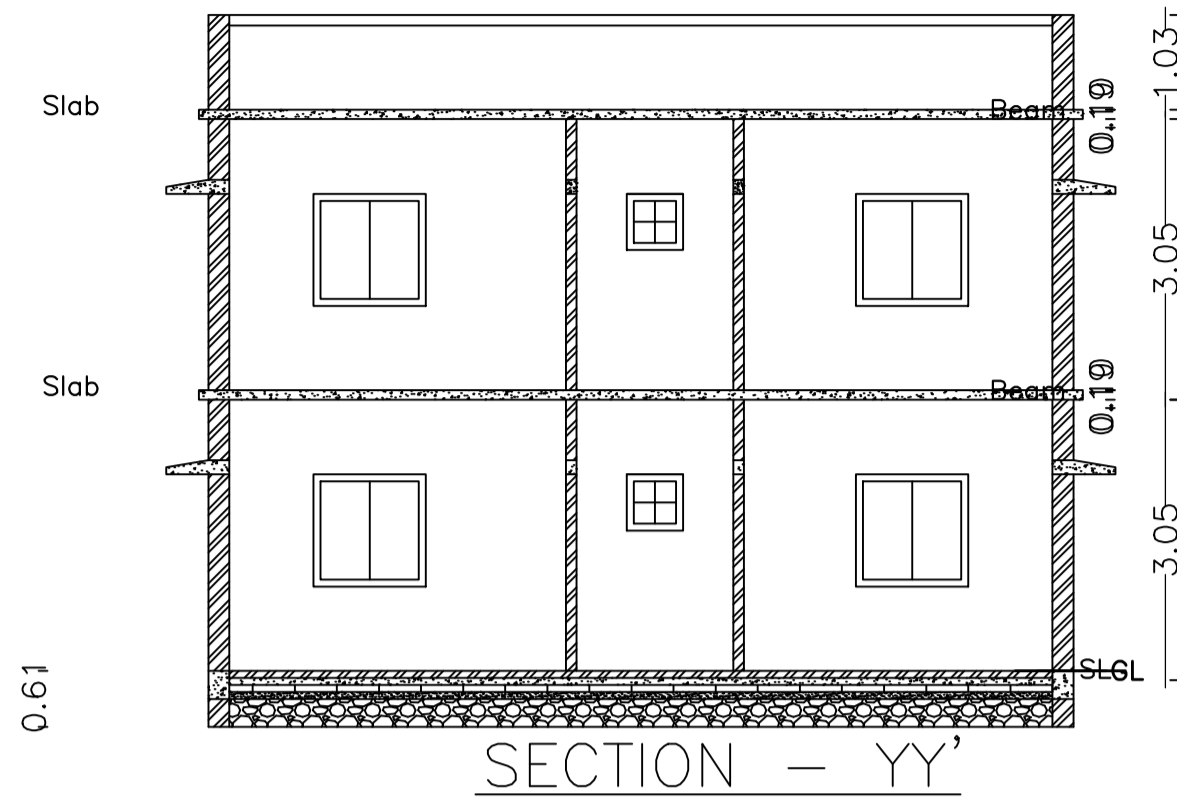
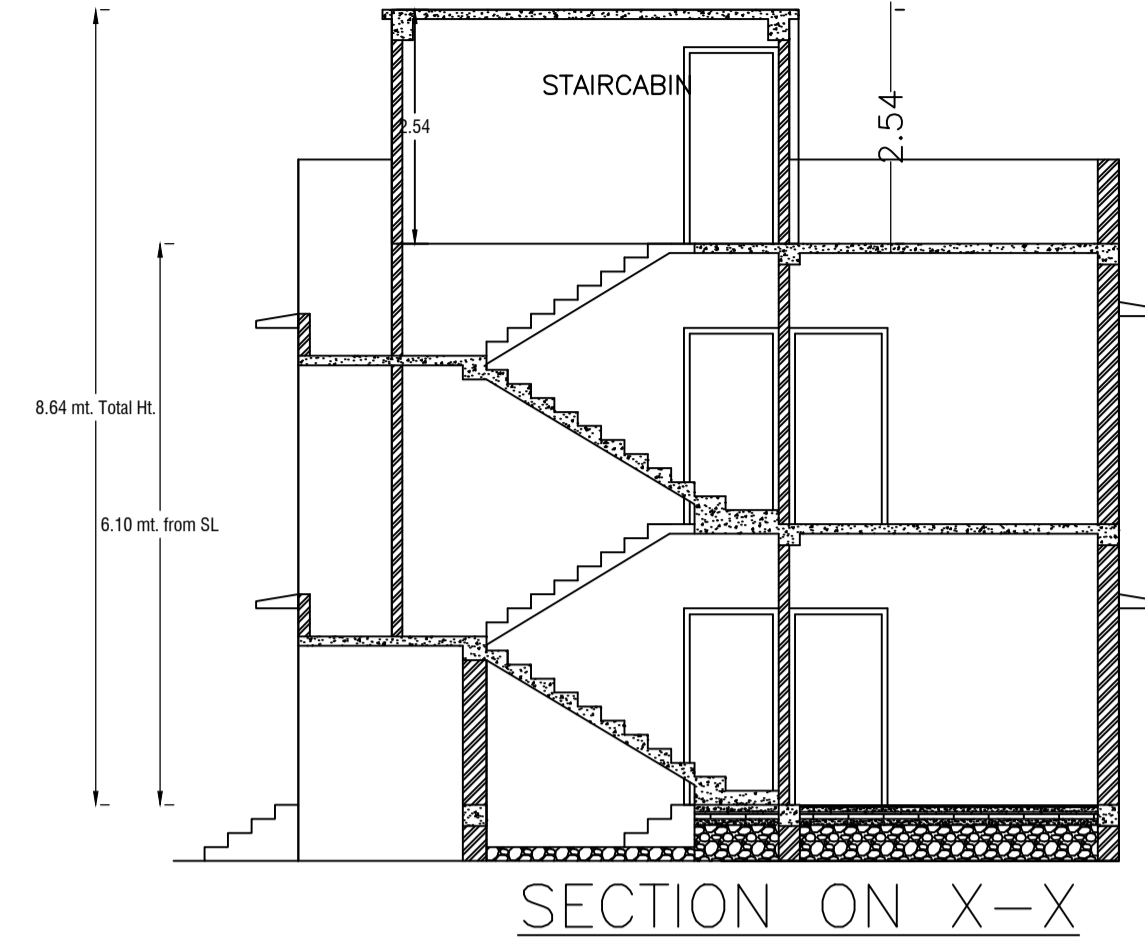
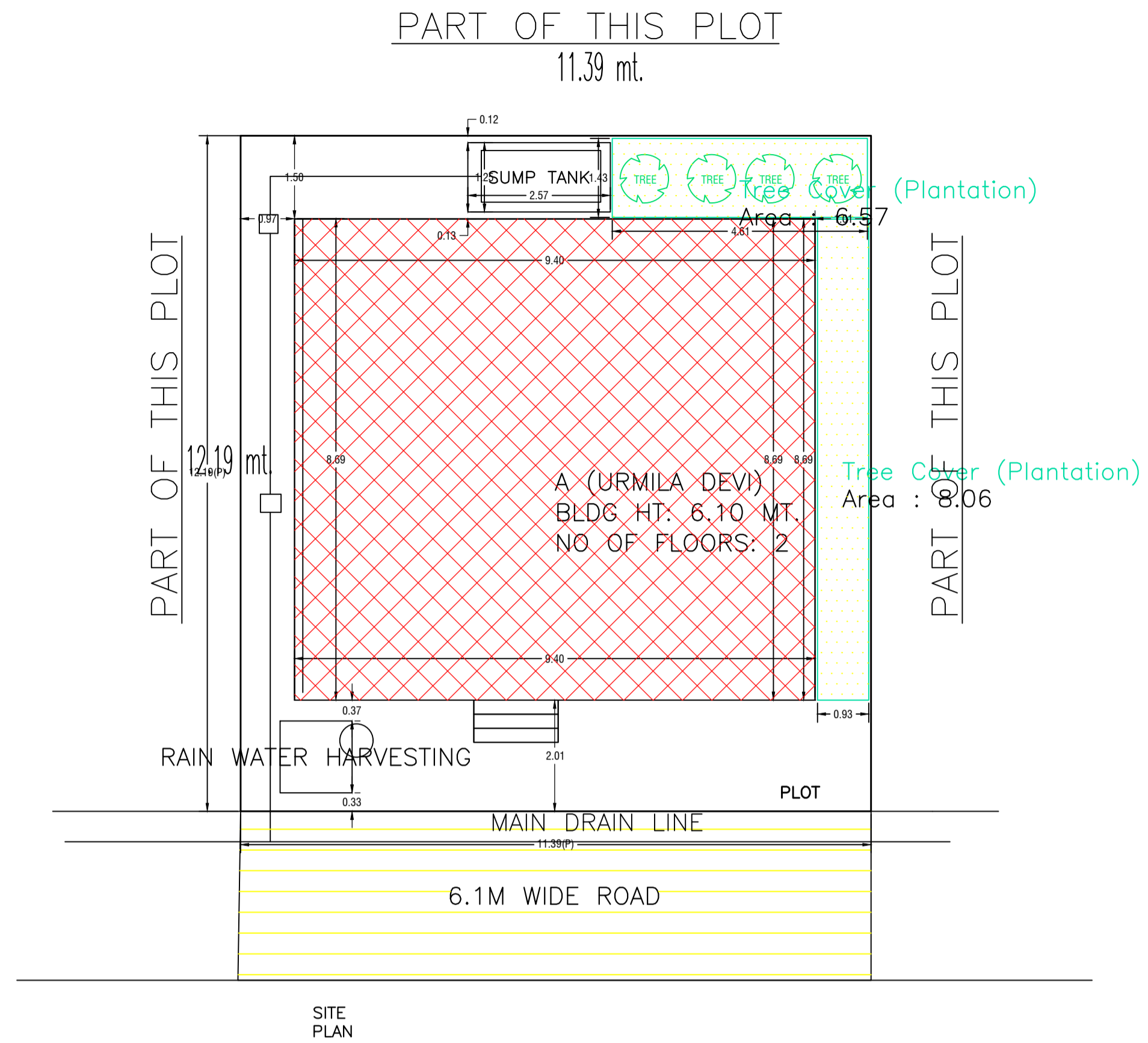


Proposal Basic Information

Proposal File No.	MADA/BP/0133/2023
Owner Name	SMT. URMILA DEVI
Khata No	OLD KHATA NO-14, NEW KHATA NO-42
Plot No	OLD PLOT NO-2538, NEW PLOT NO-3897
Village Name	Bara Pichari
Use	Residential
SubUse	Bungalow/ Dwelling / Non Apartment



AREA STATEMENT MINERAL AREA DEVELOPMENT AUTHORITY	VERSION NO.: 1.0.70 VERSION DATE: 16/10/2020
PROJECT DETAIL:	
Region: JHARKHAND URBAN LOCAL BODIES	Plot Use: Residential
District: DHANBAD	Plot SubUse: Bungalow/ Dwelling / Non Apartment
Authority: MINERAL AREA DEVELOPMENT AUTHORITY	PlotNearby/ReligiousStructure: NA
Inward_No: MADA/BP/0133/2023	Plot/SubPlot No: OLD PLOT NO-2538, NEW PLOT NO-3897
Application Type: General Proposal	North: Plot No. - SAME PLOT
Project Type: Building Permission	South: Plot No. - SAME PLOT
Nature of Development: New	East: Road Width - 6.10
Location of Development Area: Old Area	West: Plot No. - SAME PLOT
AREA DETAILS:	
AREA OF PLOT (Minimum)	(A) 138.85
NET AREA OF PLOT(Gross Plot Area - Deduction from Gross Plot area)	(A-Deductions) 138.85
Deduction for Balance Plot Area(from Gross Plot Area)	
Common Plot	14.63
Total	14.63
BALANCE AREA OF PLOT(Net Plot Area - Recreational/Amenity space)	(A-Deductions) 124.22
PLOT AREA FOR COVERAGE(Net Plot Area)	(A-Deductions) 138.85
Plot Area for FAR (Net Plot Area + RoadWidening Area)	(A-Deductions) 138.85
COVERAGE CHECK	
Permissible Coverage area (70.00 %)	97.19
Proposed Coverage Area (58.83 %)	81.68
Total Prop. Coverage Area (58.83 %)	81.68
Balance coverage area (11.17 %)	15.51
FAR CHECK	
Perm. FAR Area (2.500)	347.13
Total Perm. FAR area	347.13
Residential FAR	163.36
Proposed FAR Area	163.36
Total Proposed FAR Area	163.36
Consumed FAR (Factor)	1.18
Balance FAR Area	183.77
BUILT UP AREA CHECK	
Total Proposed BuiltUp Area	163.36
ARCHITECT (Regd)	RAM PRATAP SINGH
ENGINEER (Regd)	
SUPERVISOR (Regd)	
OWNER (Regd)	SMT. URMILA DEVI
DEVELOPMENT AUTHORITY LOCAL BODY	

UnitBUA Table for Building :A (URMILA DEVI)

FLOOR	Name	UnitBUA Type	UnitBUA Area	Carpet Area	No. of Rooms	No. of Tenement
GROUND FLOOR PLAN	SPLIT 1	FLAT	163.36	161.44	6	1
FIRST FLOOR PLAN	SPLIT 1	FLAT	0.00	0.00	7	0
Total:	-	-	163.36	161.44	13	1

SCHEDULE OF DOOR:

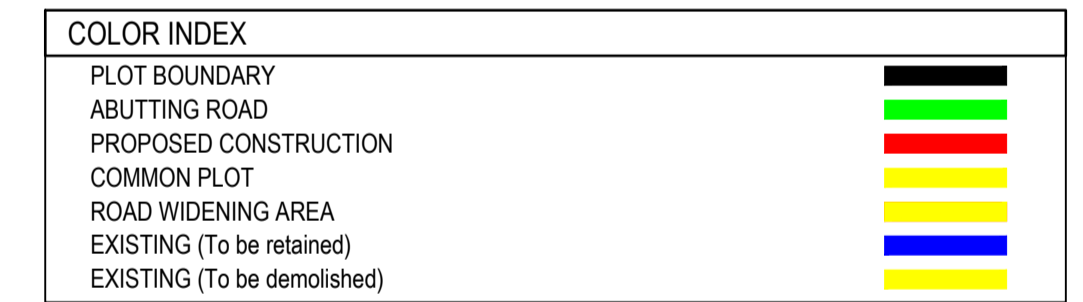
BUILDING NAME	NAME	LENGTH	HEIGHT	NOS
A (URMILA DEVI)	D	0.76	2.10	02
A (URMILA DEVI)	D	0.90	2.10	06
A (URMILA DEVI)	D	0.91	2.10	03
A (URMILA DEVI)	D	1.03	2.10	02
A (URMILA DEVI)	D	1.22	2.10	01

SCHEDULE OF WINDOW/VENTILATION:

BUILDING NAME	NAME	LENGTH	HEIGHT	NOS
A (URMILA DEVI)	W	0.61	1.20	02
A (URMILA DEVI)	W	0.91	1.20	04
A (URMILA DEVI)	W	1.22	1.20	12
A (URMILA DEVI)	W	1.80	1.20	02
A (URMILA DEVI)	W	1.82	1.20	01
A (URMILA DEVI)	W	2.43	1.20	01

Building :A (URMILA DEVI)

Floor Name	Total Built Up Area (Sq.mt.)	Proposed FAR Area (Sq.mt.)	Total FAR Area (Sq.mt.)	Total Consumed Additional FAR Area (Sq.mt.)	Tnmt (No.)
Ground Floor	81.68	81.68	81.68	81.68	01
First Floor	81.68	81.68	81.68	81.68	00
Terrace Floor	0.00	0.00	0.00	0.00	00
Total :	163.36	163.36	163.36	163.36	01
Total Number of Same Buildings :	1				
Total :	163.36	163.36	163.36	163.36	01



Buildingwise Floor FAR Details

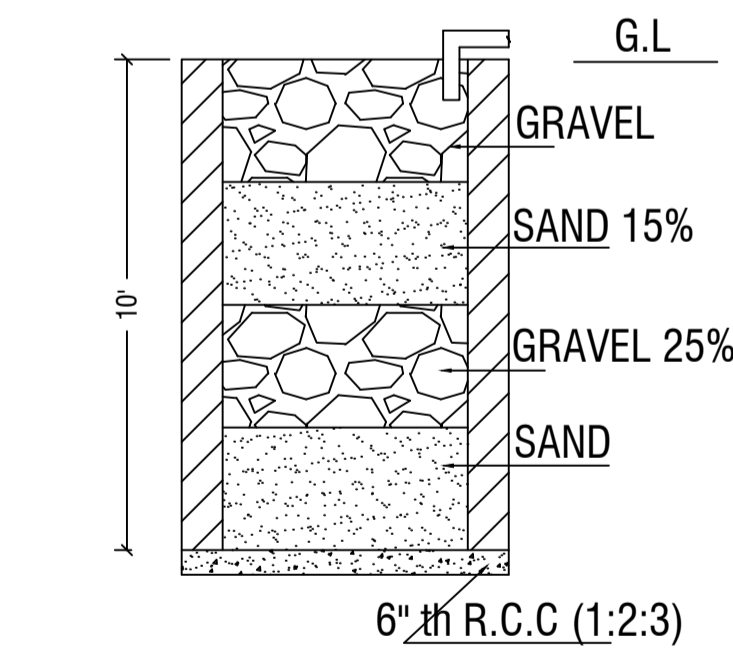
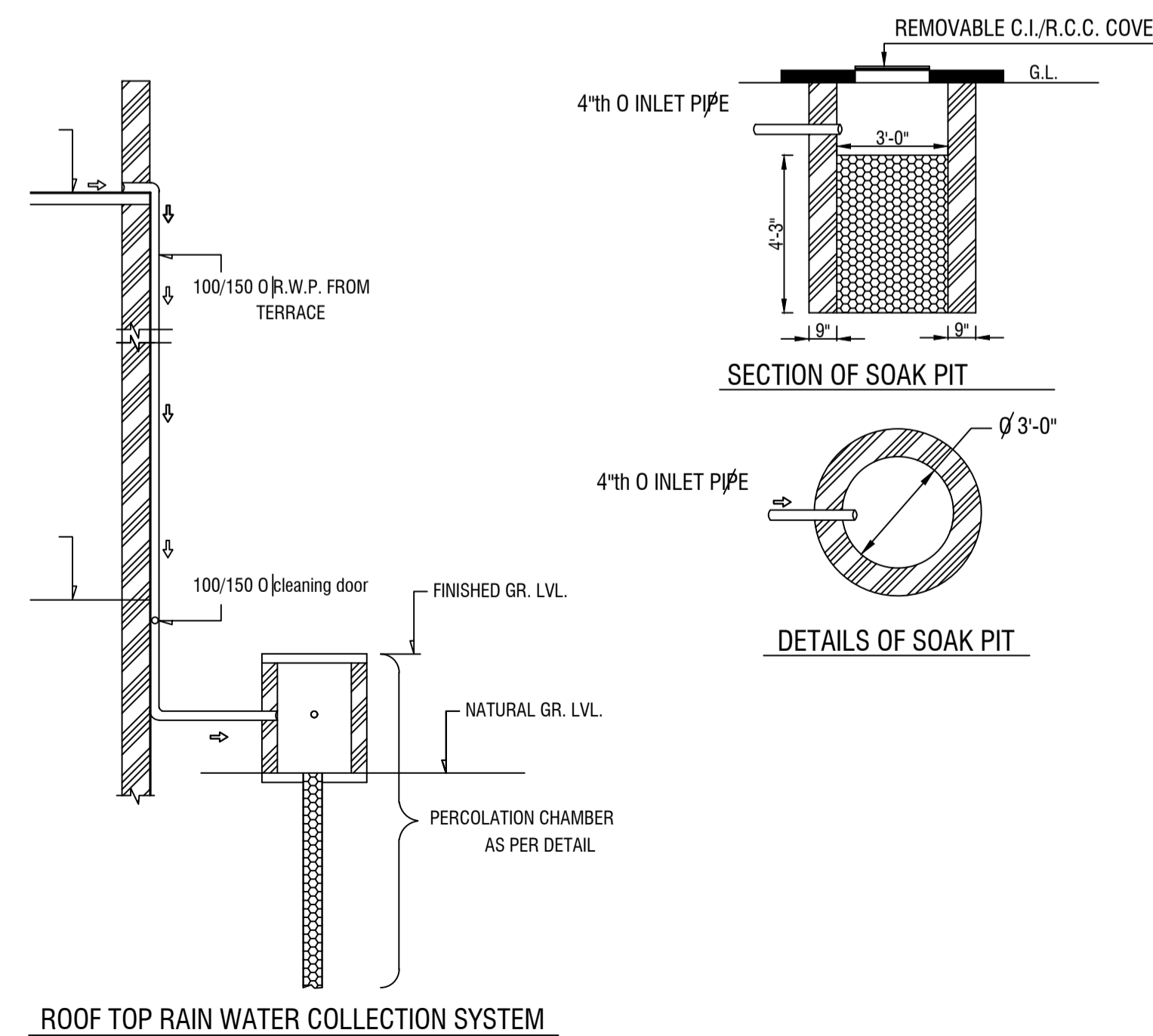
Floor Name	Building Name A (URMILA DEVI)		Total	
	Proposed Built Up Area (Sq.mt.)	Proposed FAR Area (Sq.mt.)	Total Proposed Built Up Area (Sq.mt.)	Total FAR Area (Sq.mt.)
Ground Floor	81.68	81.68	81.68	81.68
First Floor	81.68	81.68	81.68	81.68
Terrace Floor	0.00	0.00	0.00	0.00
Total :	163.36	163.36	163.36	163.36

Building USE/SUBUSE Details

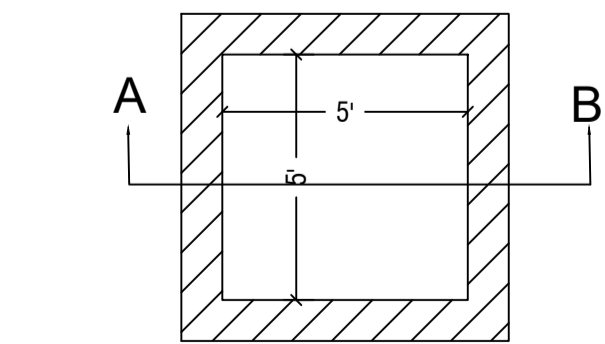
Building Name	Building Use	Building SubUse	Building Structure
A (URMILA DEVI)	Residential	Bungalow/ Dwelling / Non Apartment	Non-Highrise

FAR & Tenement Details (Table 4c-1)

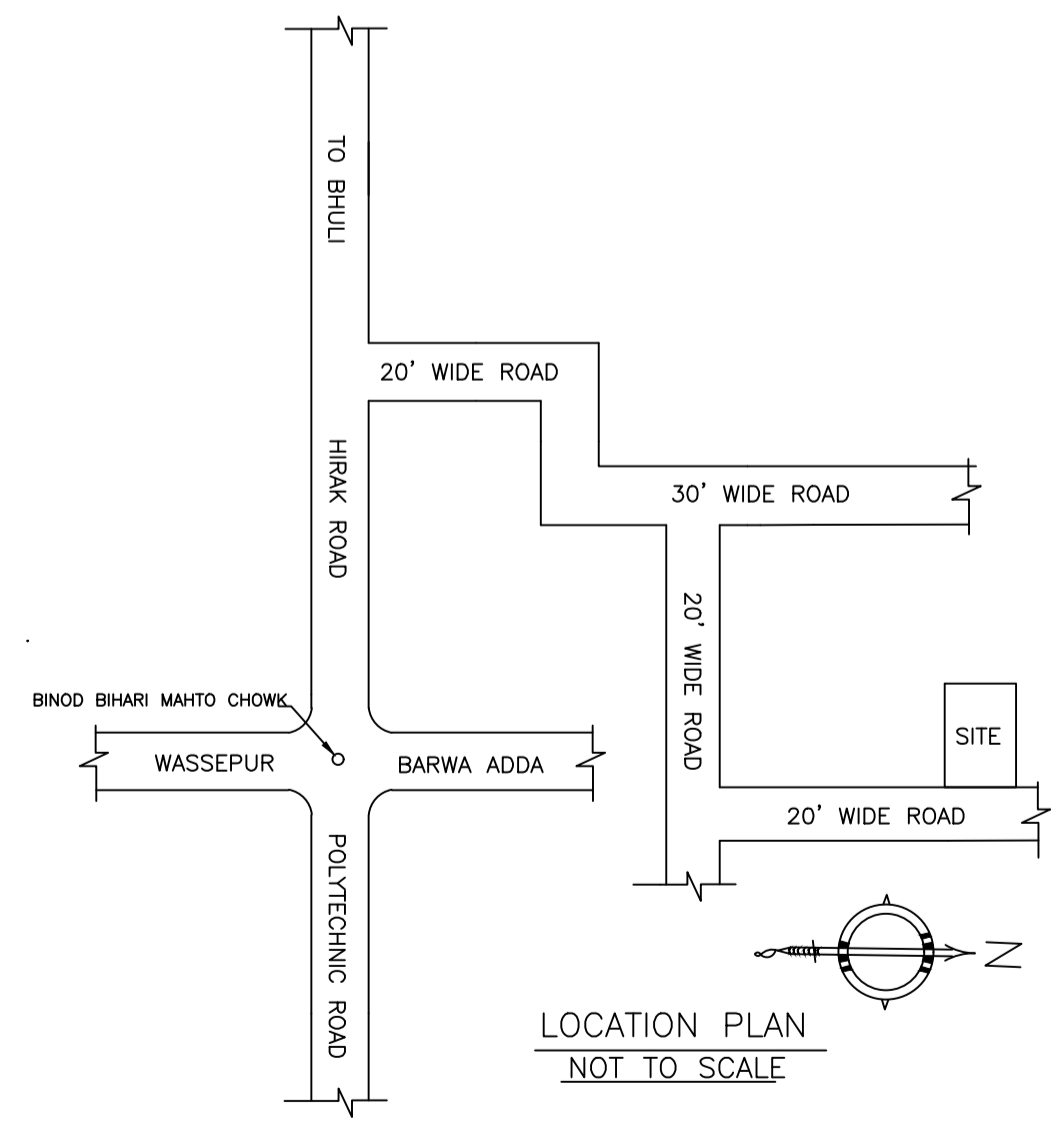
Building	No. of Same Bldg	Total Built Up Area (Sq.mt.)	Proposed FAR Area (Sq.mt.)	Total FAR Area (Sq.mt.)	Total Consumed Additional FAR Area (Sq.mt.)	Tnmt (No.)
A (URMILA DEVI)	1	163.36	163.36	163.36	163.36	01
Grand Total :	1	163.36	163.36	163.36	163.36	01



SECTION ON A - B



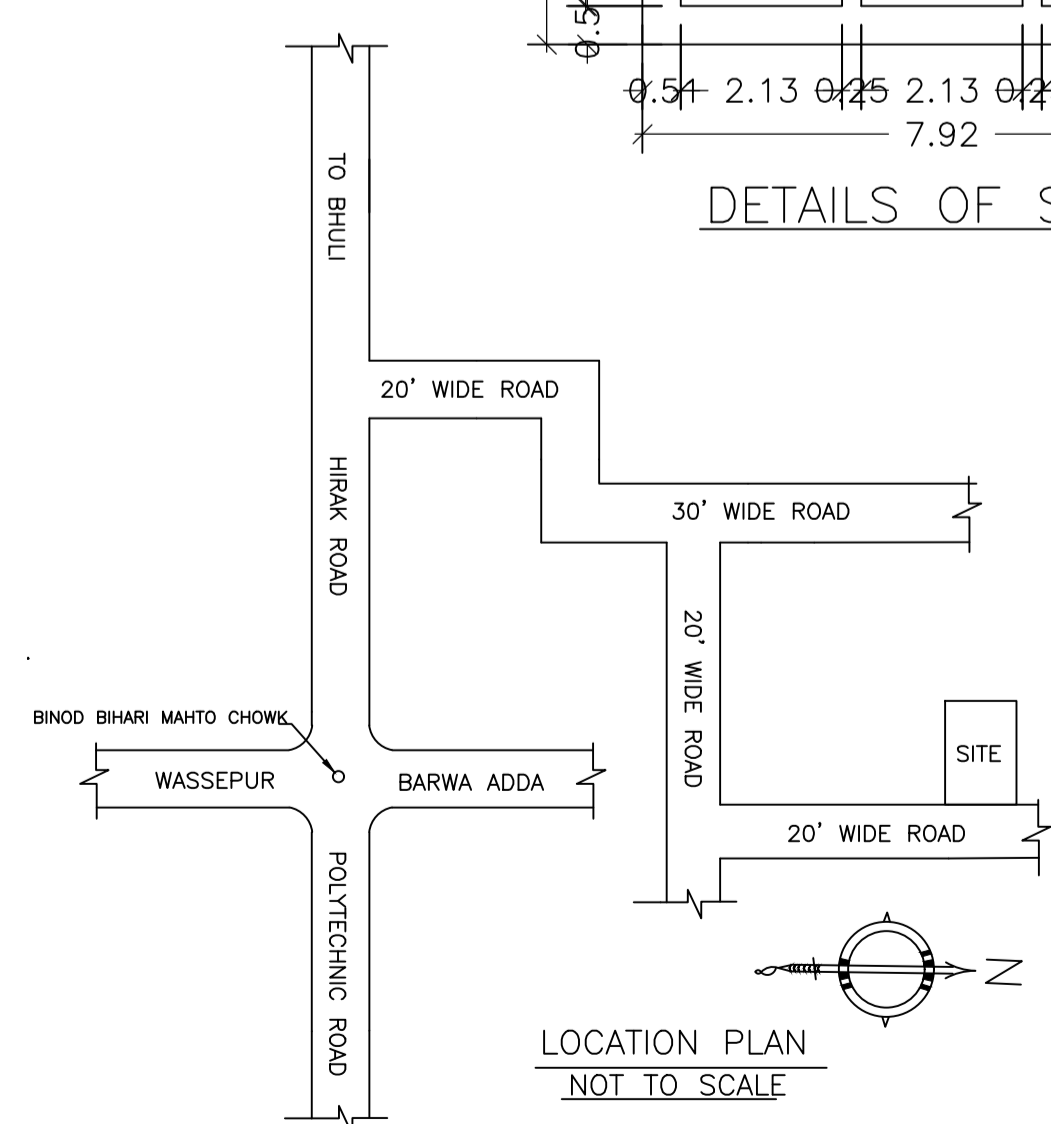
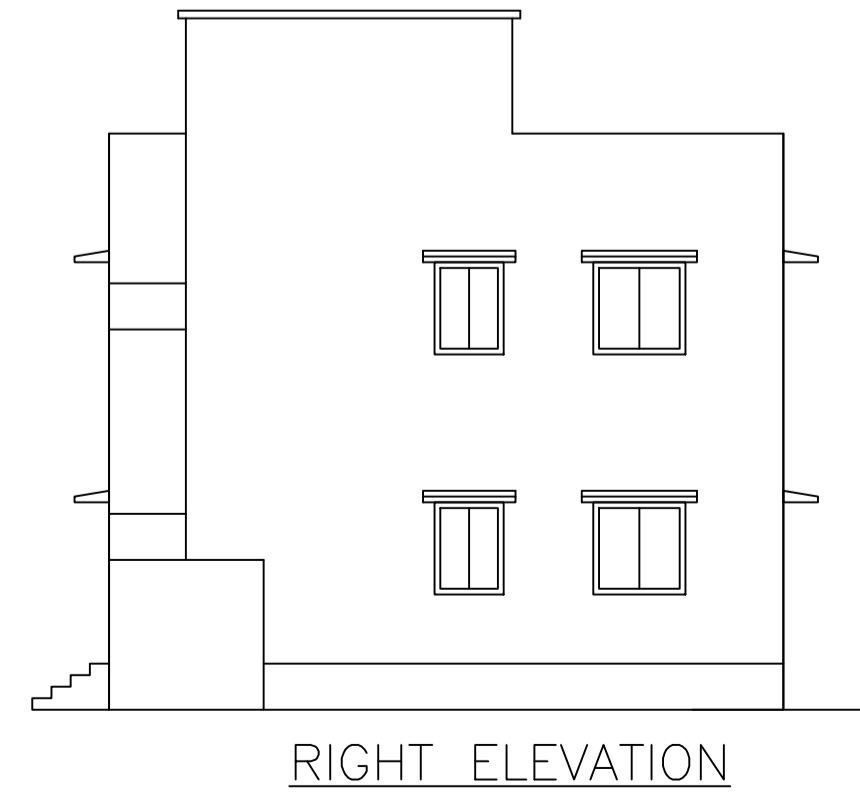
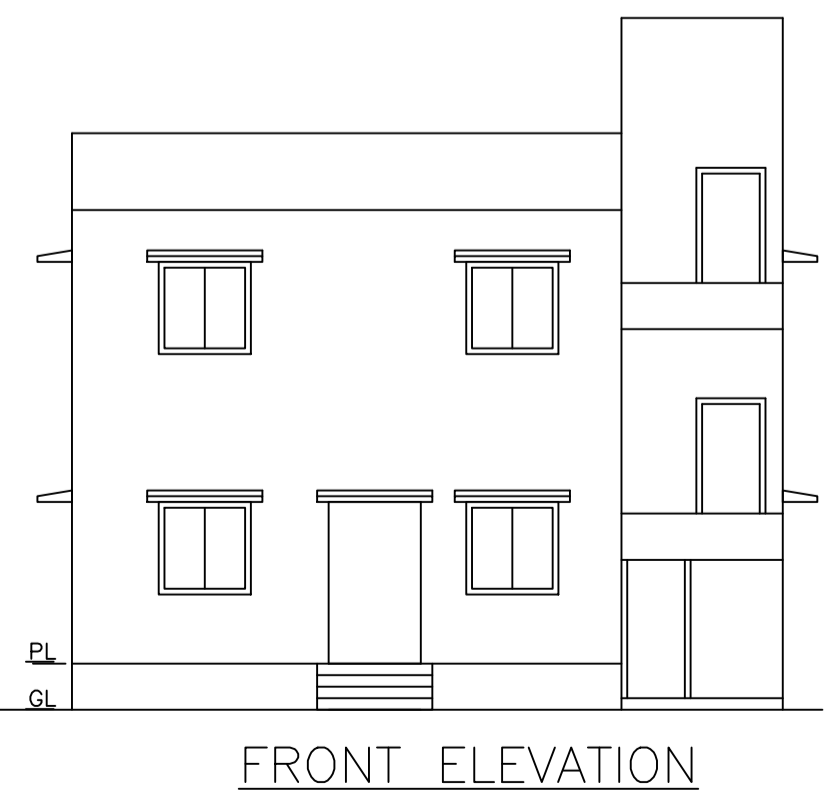
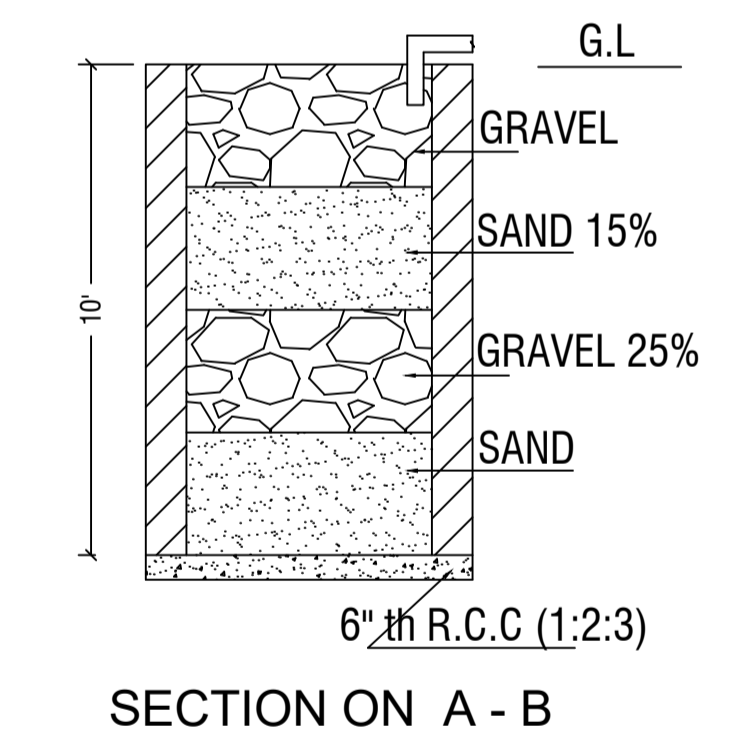
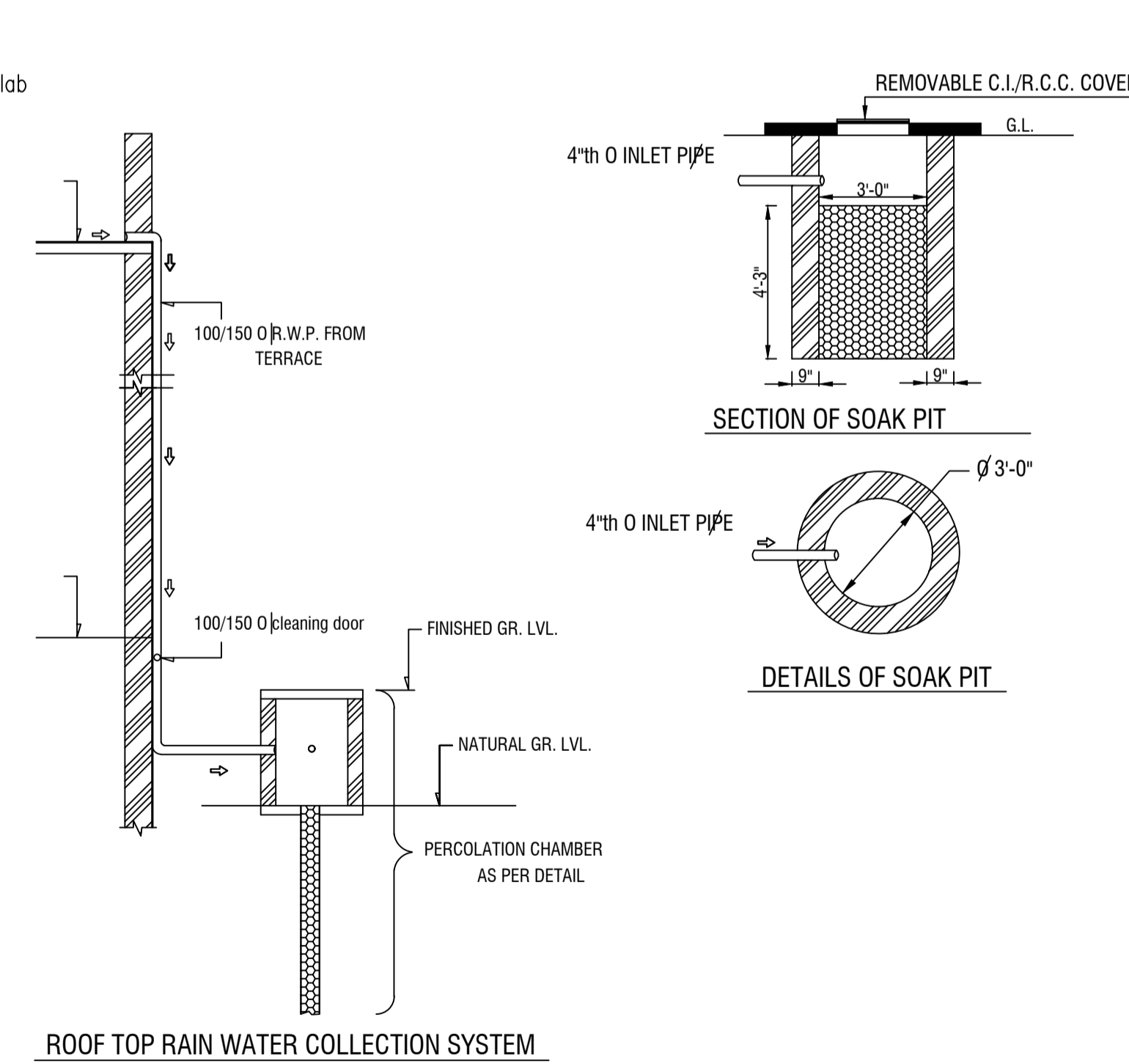
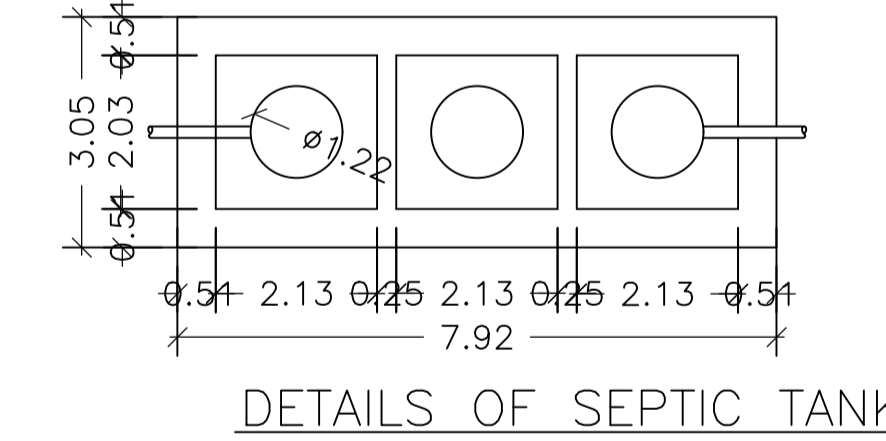
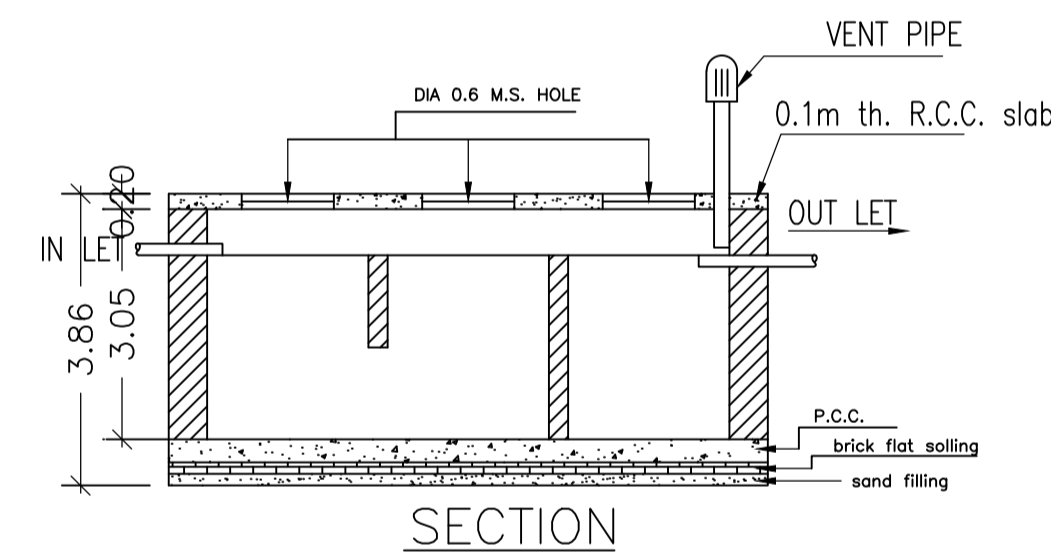
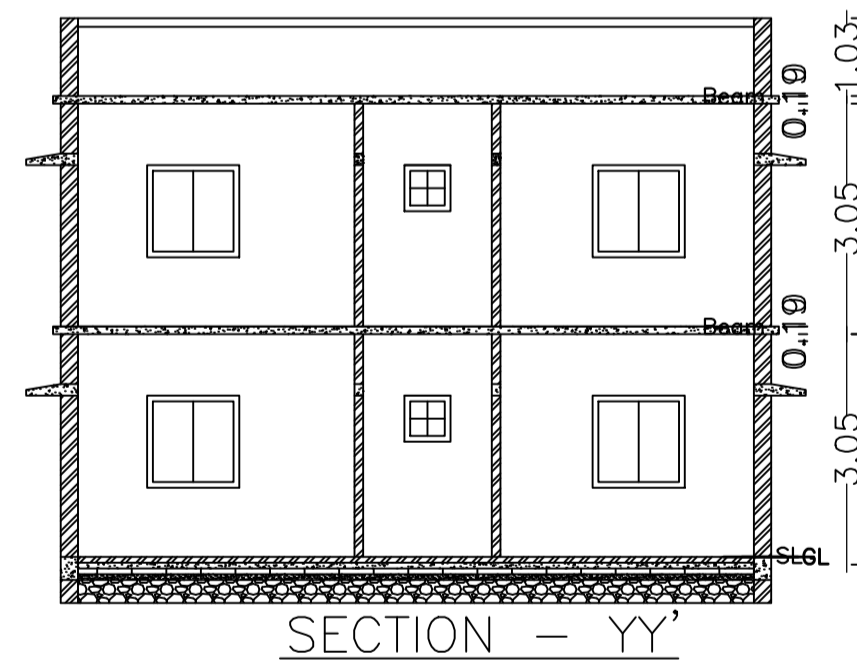
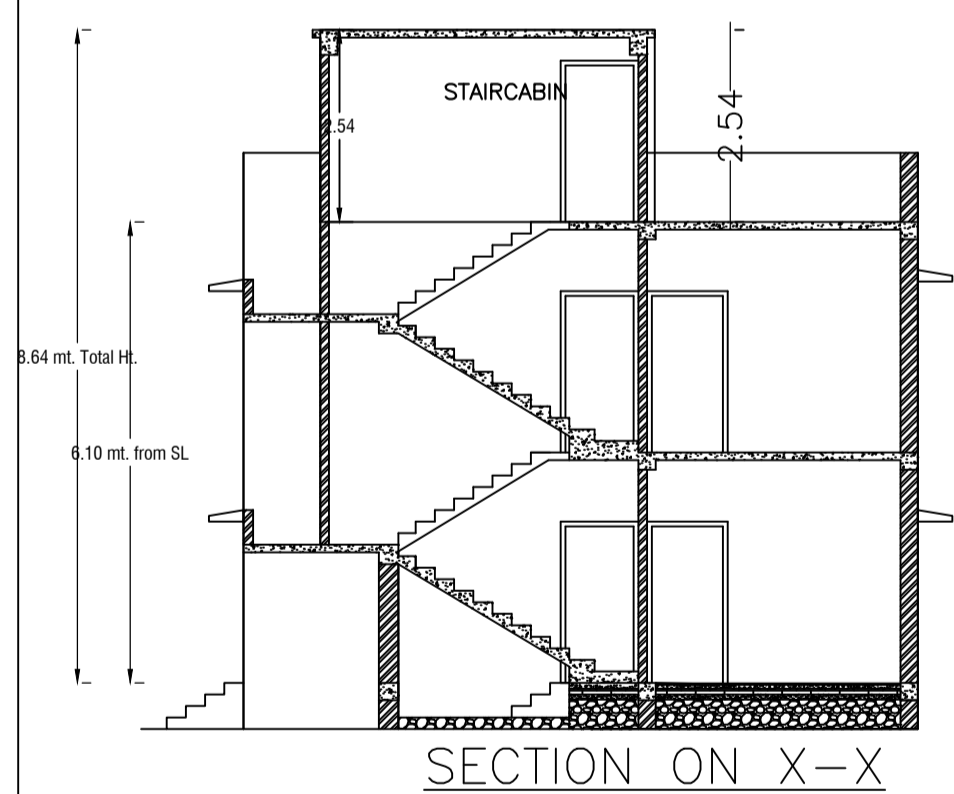
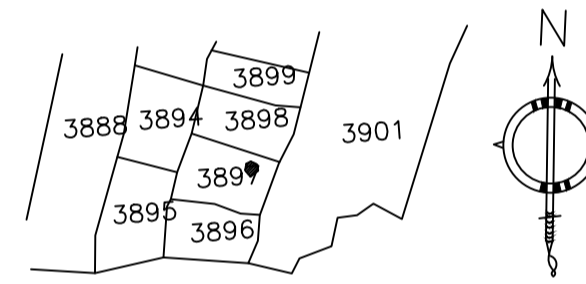
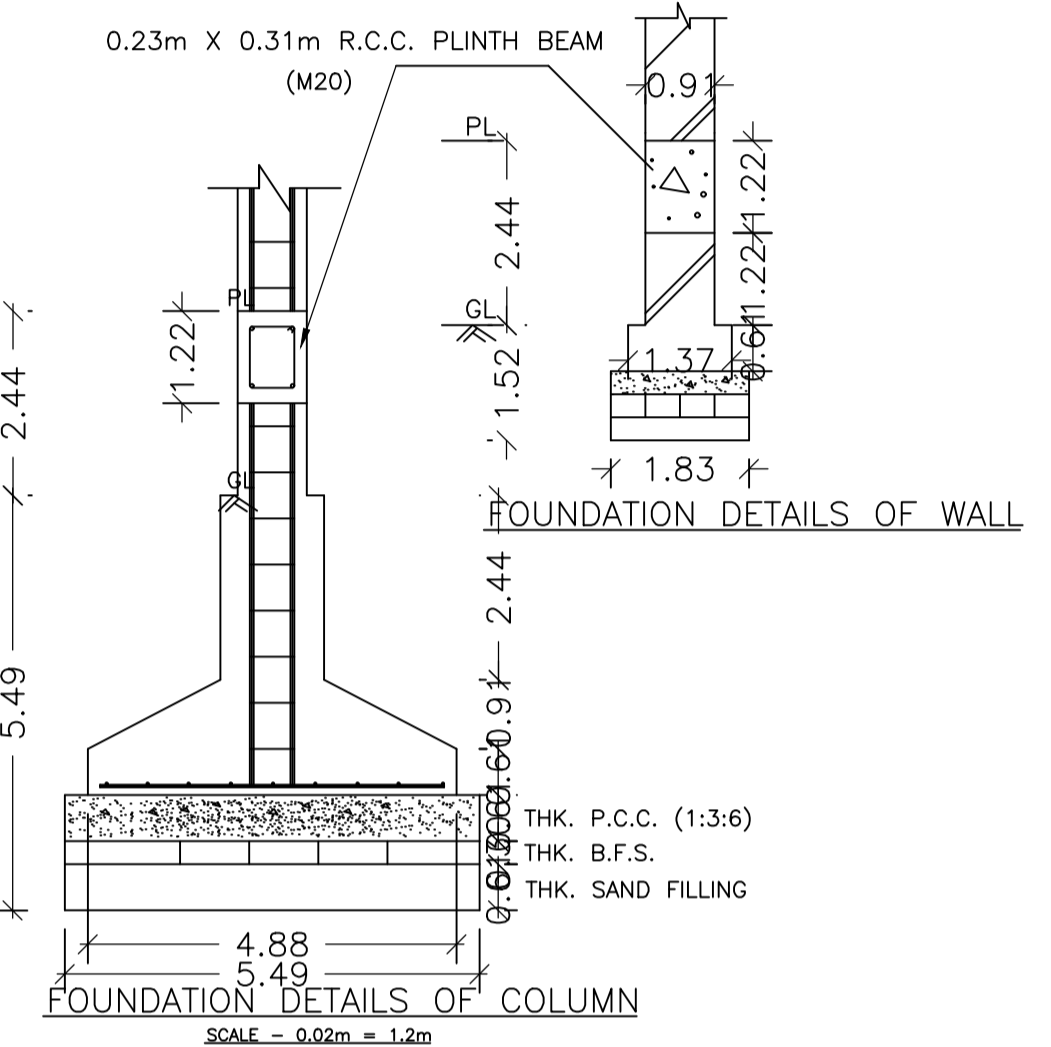
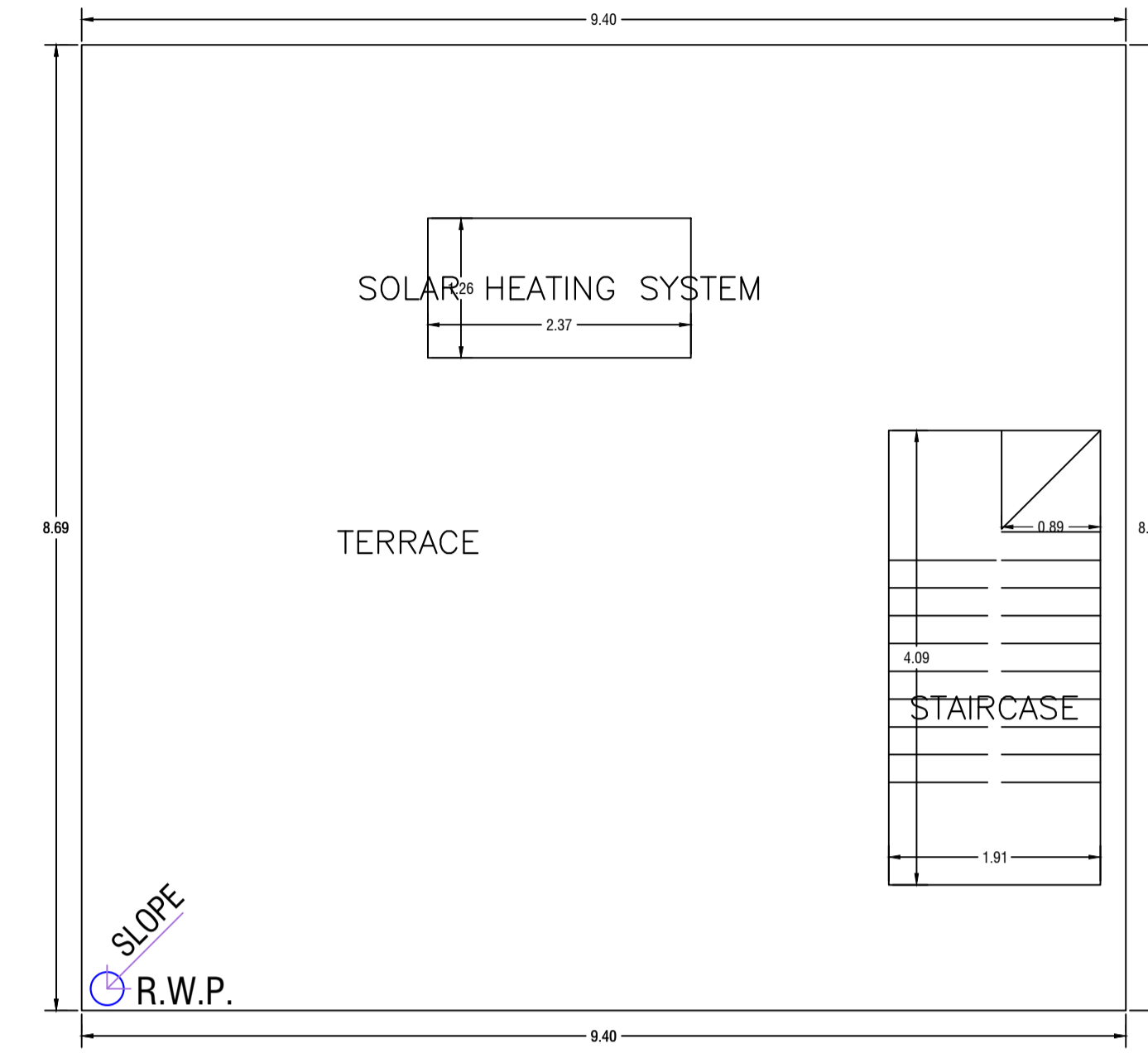
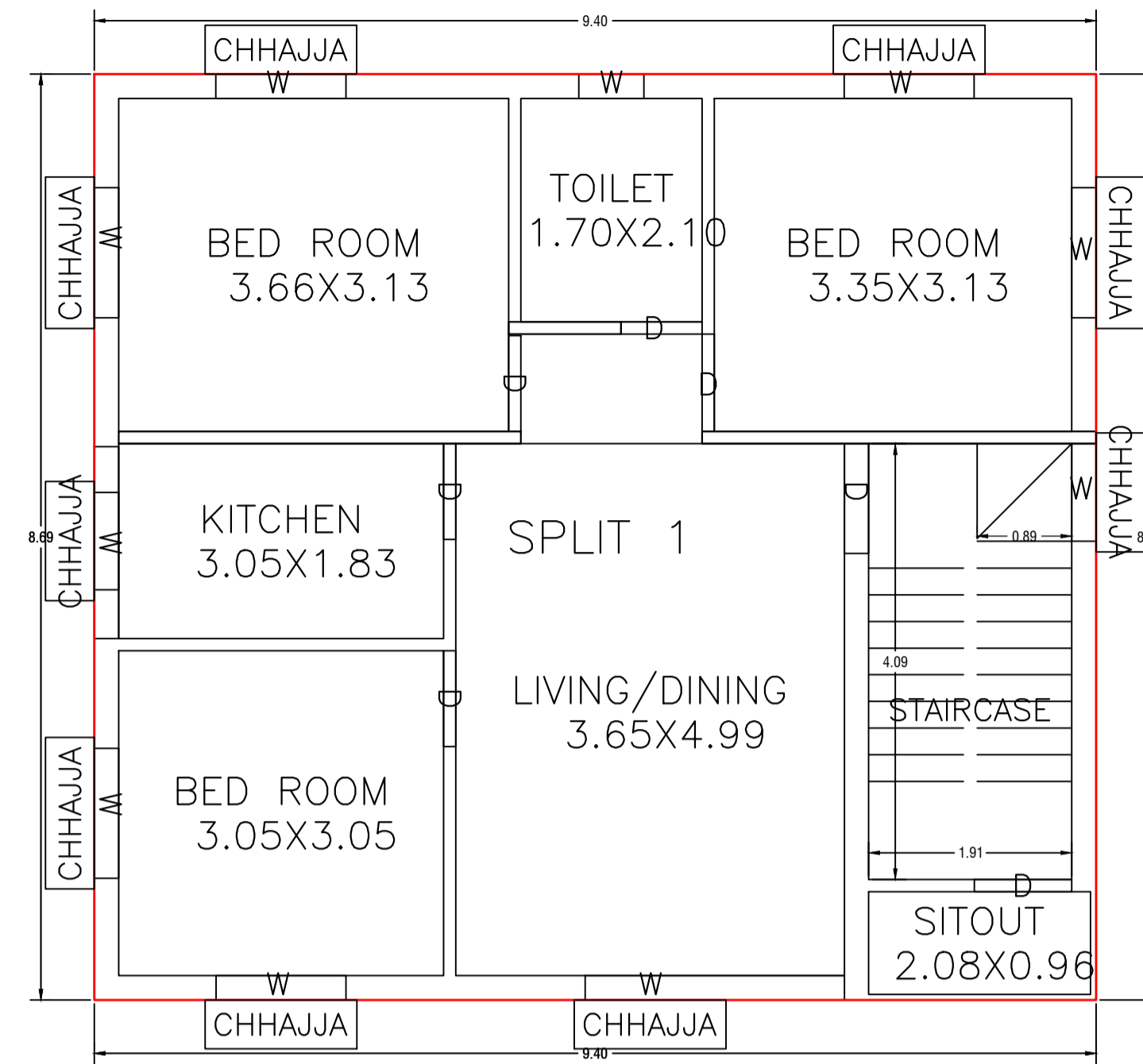
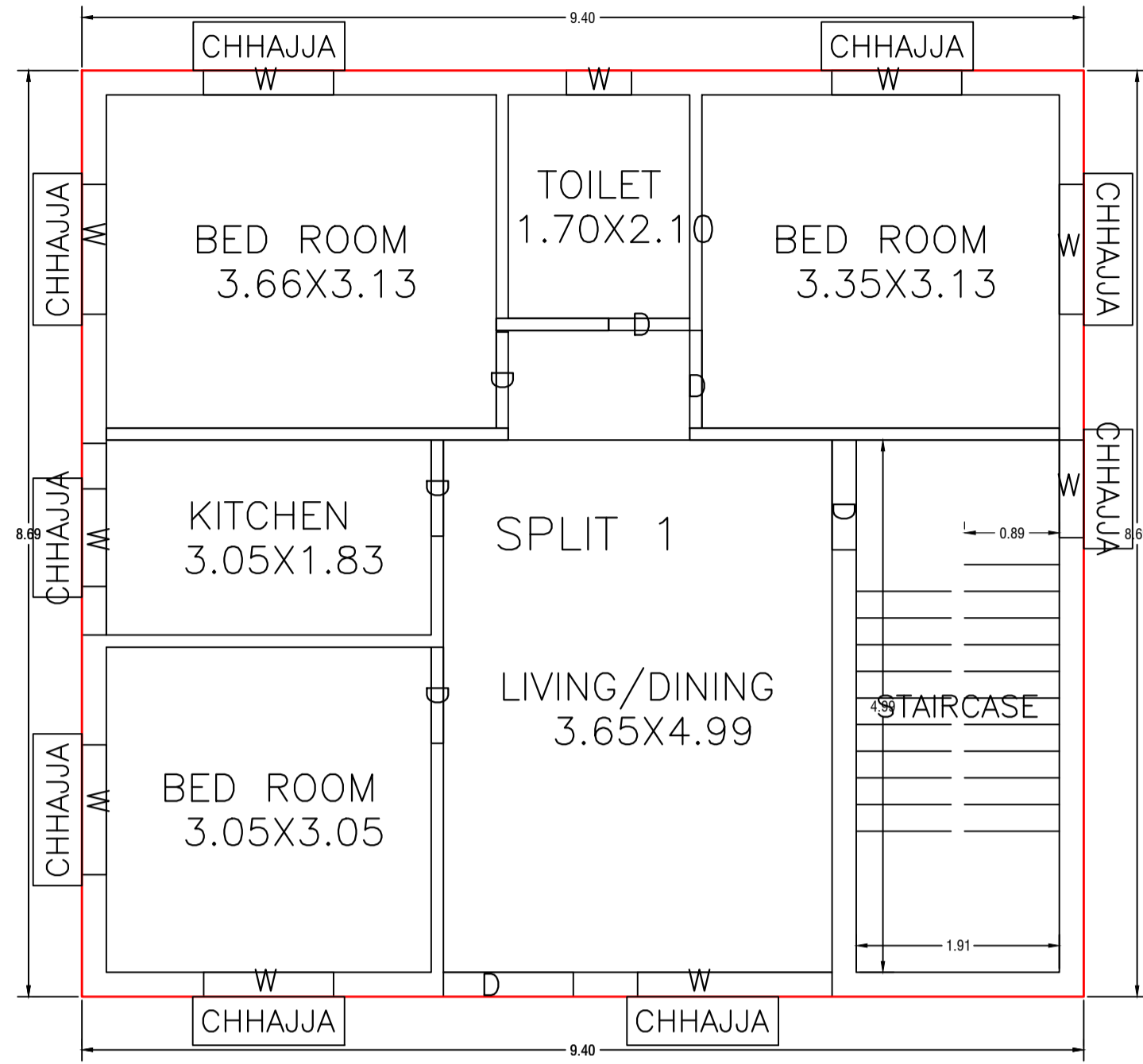
DETAILS DRAWING OF RAIN WATER HARVESTING



LOCATION PLAN NOT TO SCALE

LTP NAME AND SIGNATURE	STRUCTURAL ENG'S NAME AND SIGNATURE	BUILDER NAME AND SIGNATURE	DIGITAL SIGNATURE
RAM PRATAP SINGH MADA/ARC/0024/2019			

Proposal Basic Information	
Proposal File No.	MADA/BP/0133/2023
Owner Name	SMT. URMILA DEVI
Khata No	OLD KHATA NO-14, NEW KHATA NO-42
Plot No	OLD PLOT NO-2538, NEW PLOT NO-3897
Village Name	Bara Pichari
Use	Residential
SubUse	Bungalow/ Dwelling / Non Apartment



LTP NAME AND SIGNATURE	STRUCTURAL ENG'S NAME AND SIGNATURE	BUILDER NAME AND SIGNATURE	DIGITAL SIGNATURE
RAM PRATAP SINGH MADA/ARC/0024/2019			