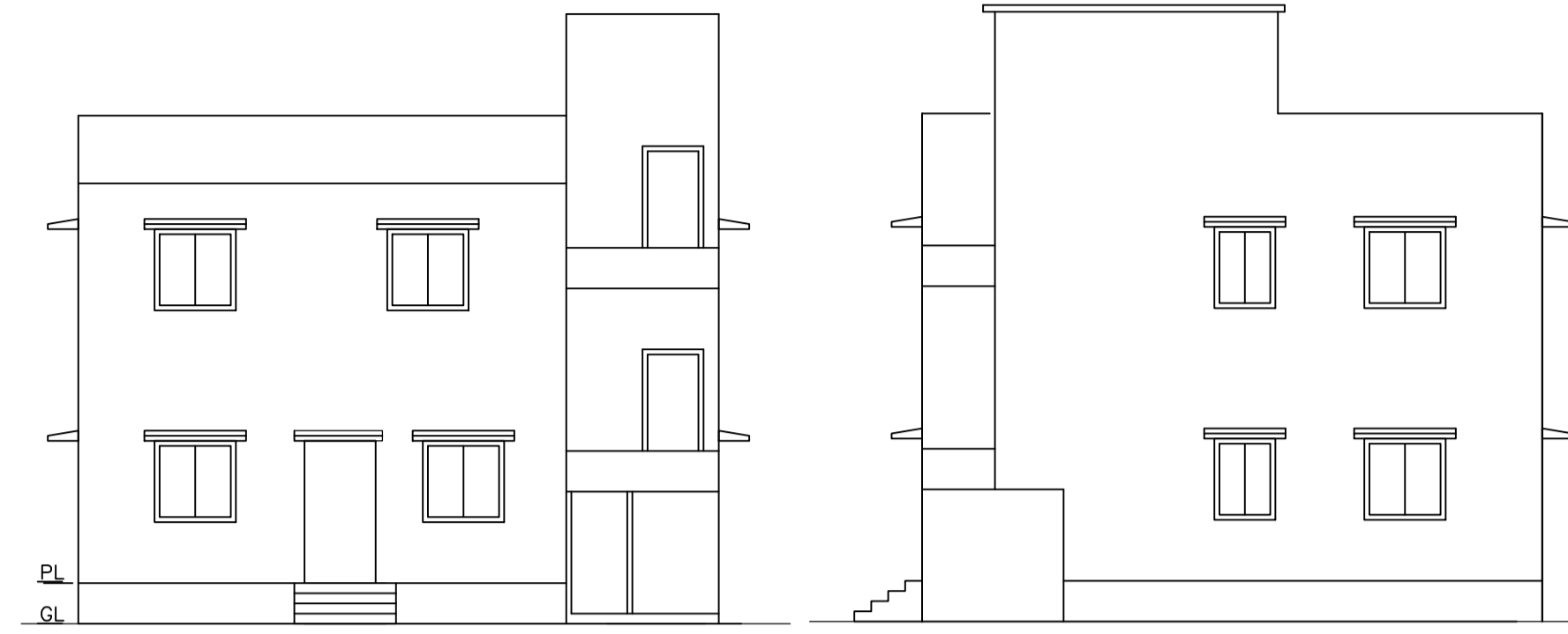
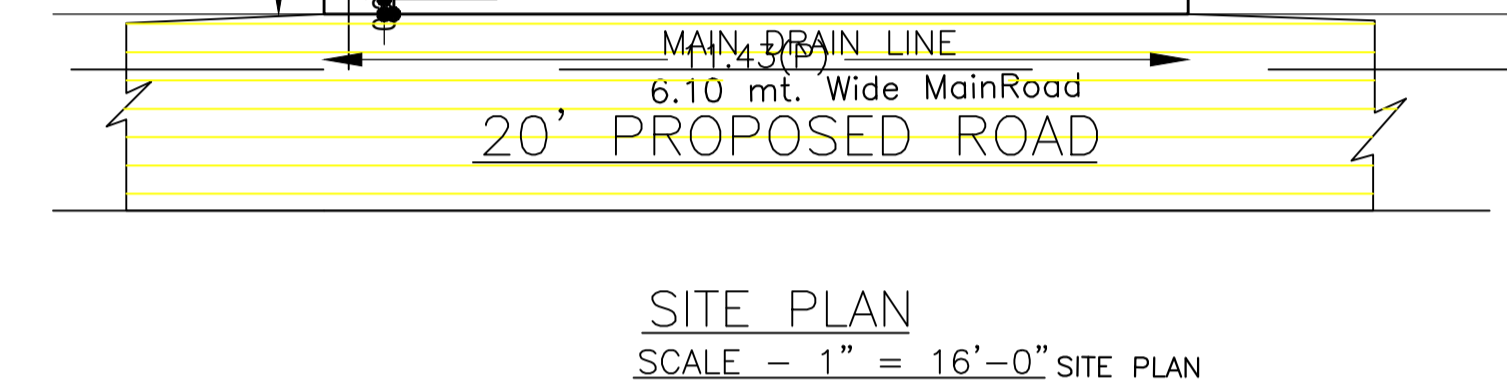
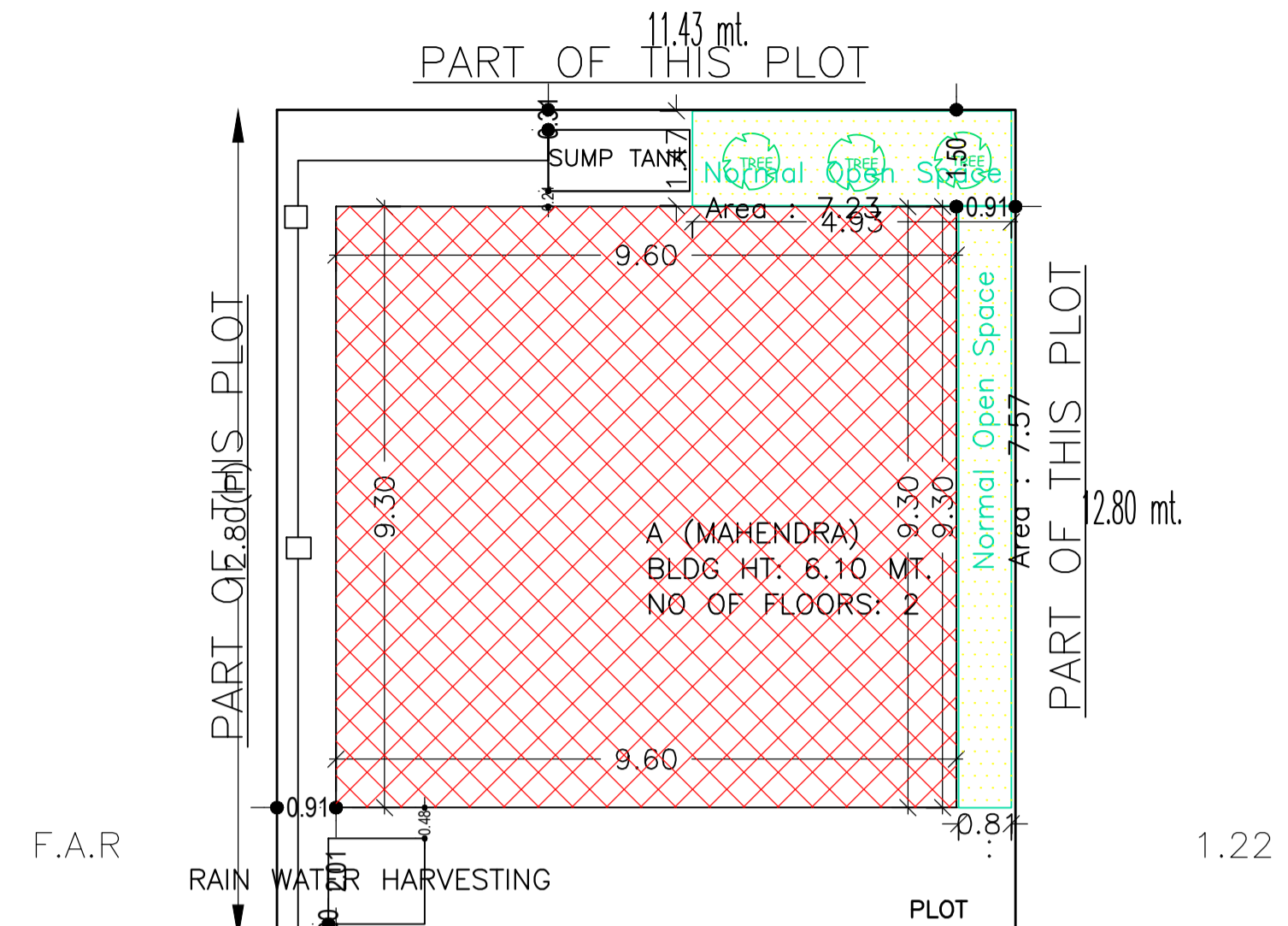
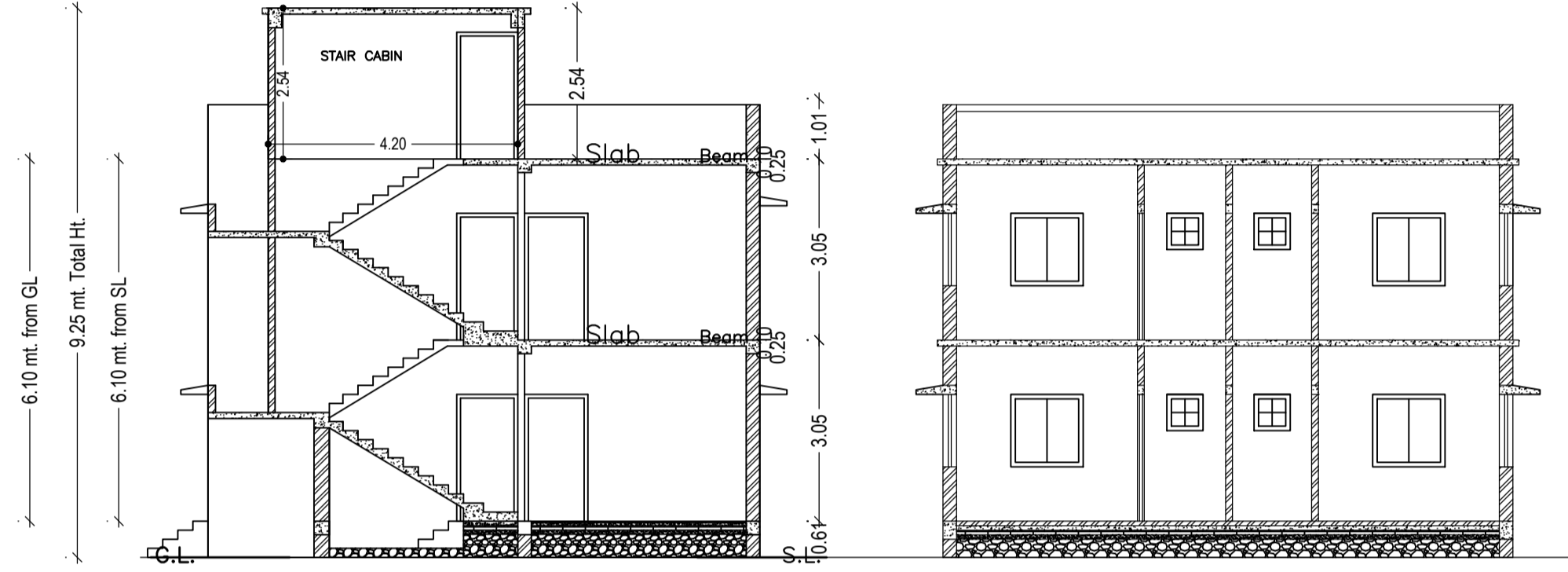


Proposal Basic Information

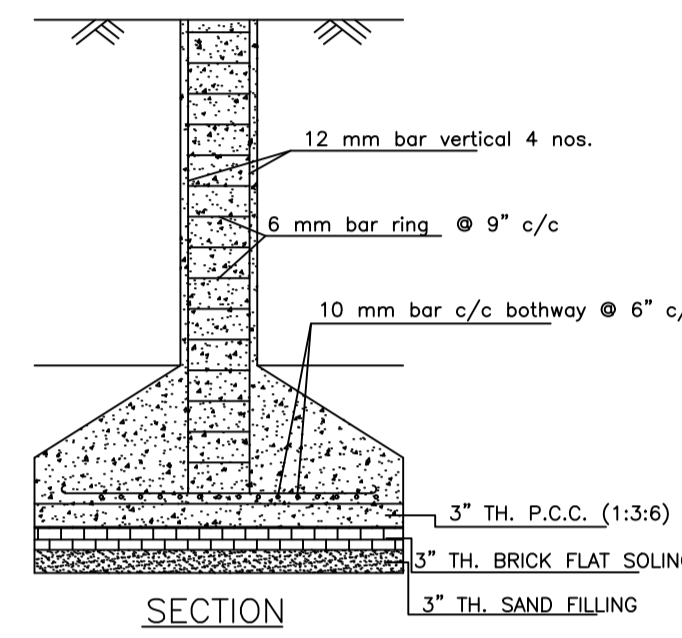
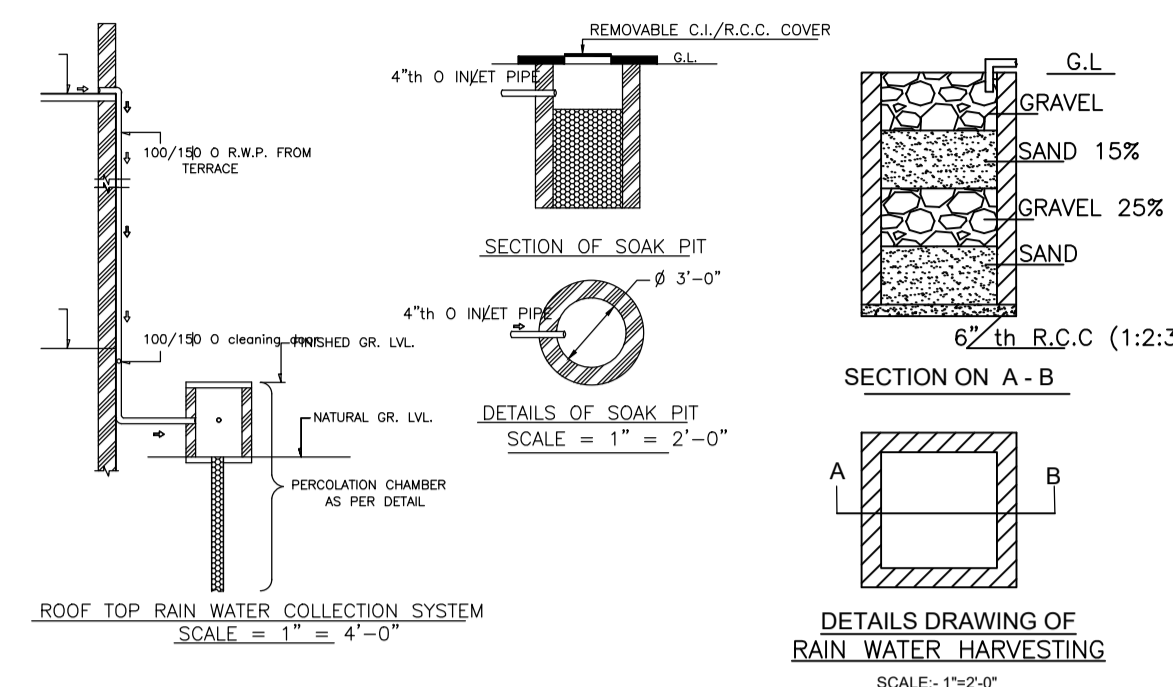
Proposal File No.	MADA/BP/0195/2023
Owner Name	SRI. MAHENDRA KUMAR
Khata No	OLD KHATA NO-69, NEW KHATA NO-134
Plot No	OLD PLOT NO-518, NEW PLOT NO-1456
Village Name	Jialgora
Use	Residential
SubUse	Bungalow/ Dwelling / Non Apartment



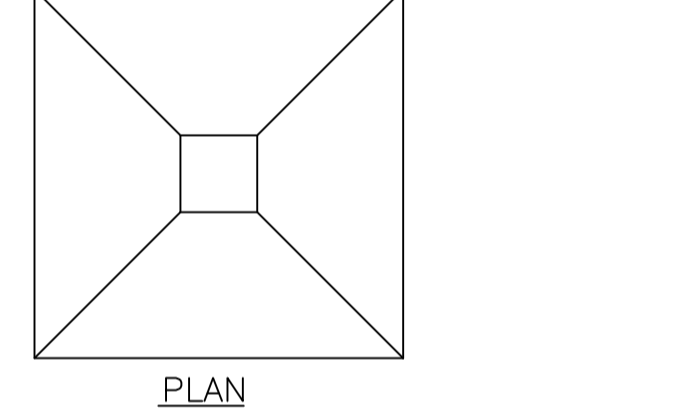
FRONT ELEVATION SCALE - 1" = 8'-0"
RIGHT SIDE ELEVATION SCALE - 1" = 8'-0"



SECTION - XX' SCALE - 1" = 8'-0"
SECTION - YY' SCALE - 1" = 8'-0"



SECTION



PLAN

DETAILS OF COLUMN FOUNDATION SCALE - 1" = 2'-0"

Unit/BUA Table for Building :A (MAHENDRA)

FLOOR	Name	Unit/BUA Type	Unit/BUA Area	Carpet Area	No. of Rooms	No. of Tenement
GROUND FLOOR PLAN	SPLIT 1	FLAT	178.51	178.03	8	1
FIRST FLOOR PLAN	SPLIT 1	FLAT	0.00	0.00	8	0
Total:	-	-	178.51	178.03	16	1

FAR & Tenement Details (Table 4c-1)

Building	No. of Same Bldg	Total Built Up Area (Sq.mt.)	Proposed FAR Area (Sq.mt.) Resi.	Total FAR Area (Sq.mt.)	Total Consumed Additional FAR Area (Sq.mt.)	Tnmt (No.)
A (MAHENDRA)	1	178.52	178.52	178.52	178.52	01
Grand Total:	-	178.52	178.52	178.52	178.52	01

Building :A (MAHENDRA)

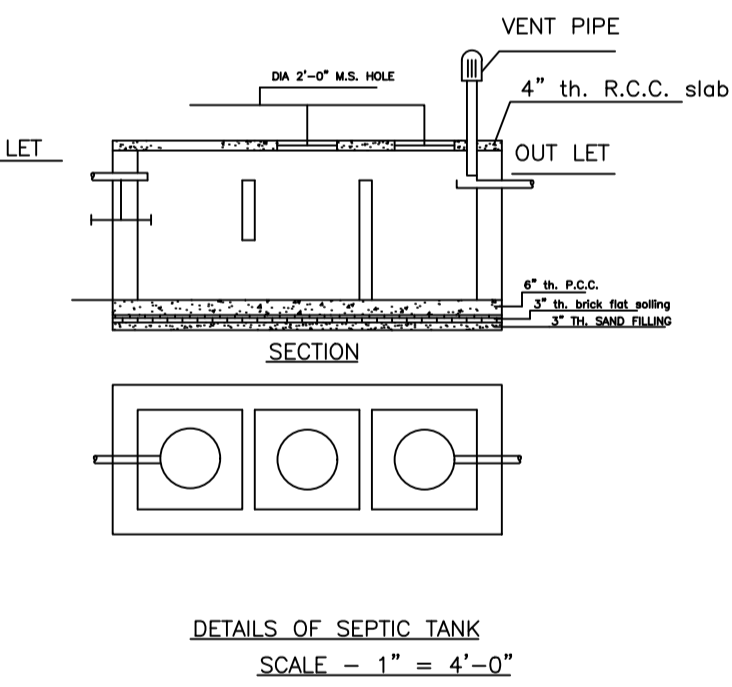
Floor Name	Total Built Up Area (Sq.mt.)	Proposed FAR Area (Sq.mt.) Resi.	Total FAR Area (Sq.mt.)	Total Consumed Additional FAR Area (Sq.mt.)	Tnmt (No.)
Ground Floor	89.26	89.26	89.26	89.26	01
First Floor	89.26	89.26	89.26	89.26	00
Terrace Floor	0.00	0.00	0.00	0.00	00
Total:	178.52	178.52	178.52	178.52	01
Total Number of Same Buildings	1				
Total:	178.52	178.52	178.52	178.52	01

SCHEDULE OF DOOR:

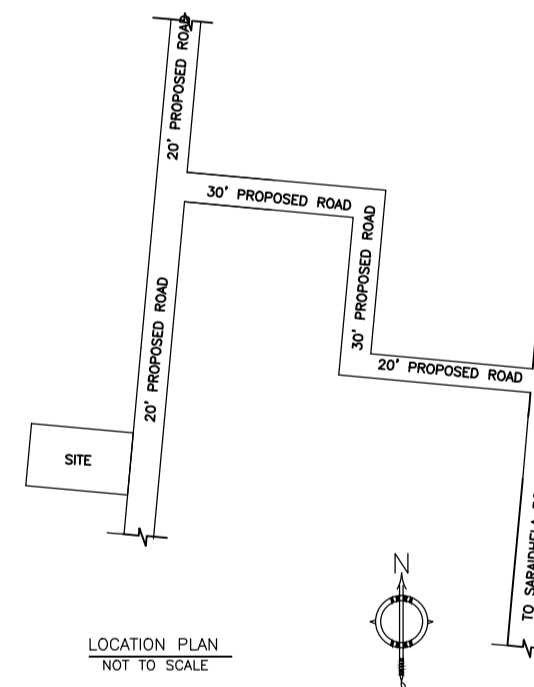
BUILDING NAME	NAME	LENGTH	HEIGHT	NOS
A (MAHENDRA)	D	0.84	2.10	05
A (MAHENDRA)	D	0.91	2.10	02
A (MAHENDRA)	D	1.07	2.10	09
A (MAHENDRA)	O	2.23	2.10	01

SCHEDULE OF WINDOW/VENTILATION:

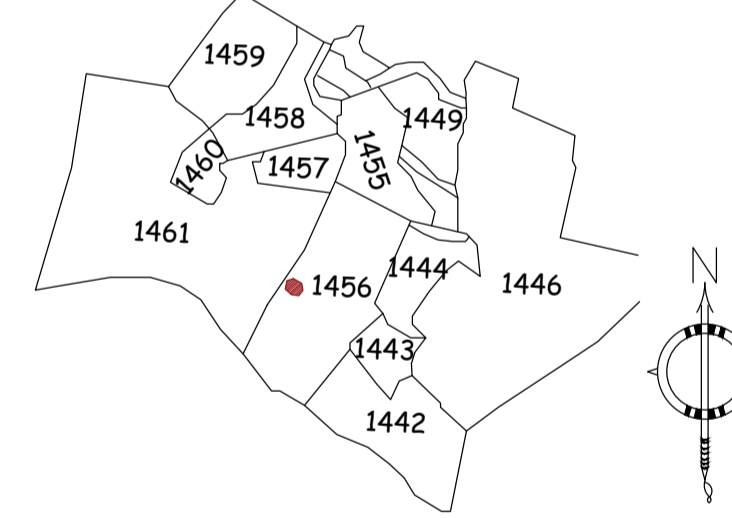
BUILDING NAME	NAME	LENGTH	HEIGHT	NOS
A (MAHENDRA)	W	0.61	1.20	04
A (MAHENDRA)	W	0.91	1.20	04
A (MAHENDRA)	W	1.22	1.20	12
A (MAHENDRA)	W	1.92	1.20	02



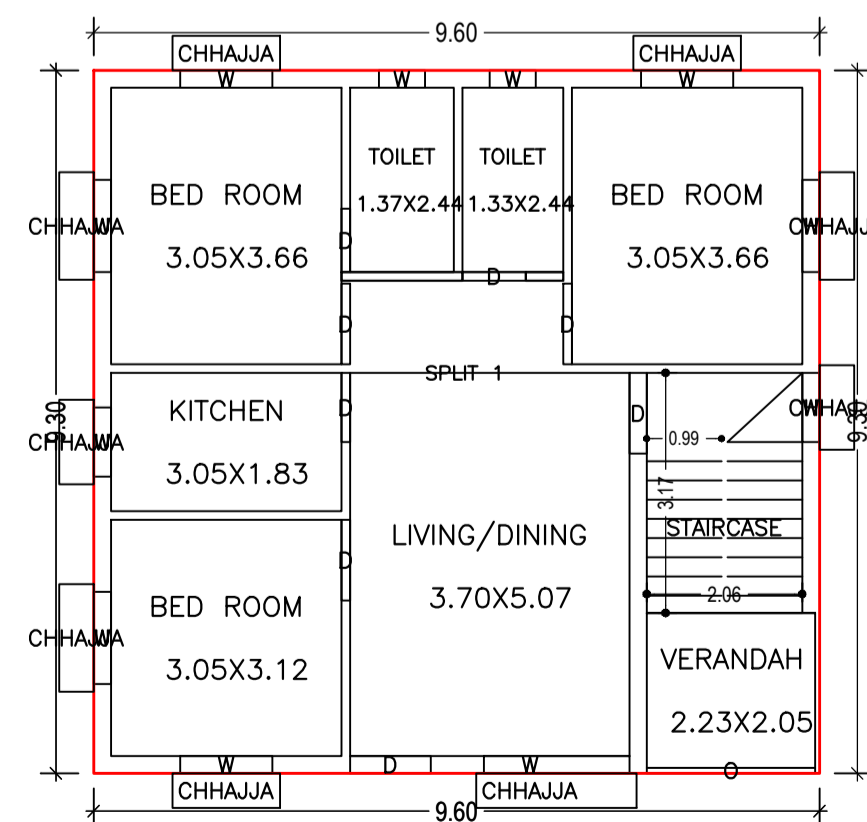
DETAILS OF SEPTIC TANK SCALE - 1" = 4'-0"



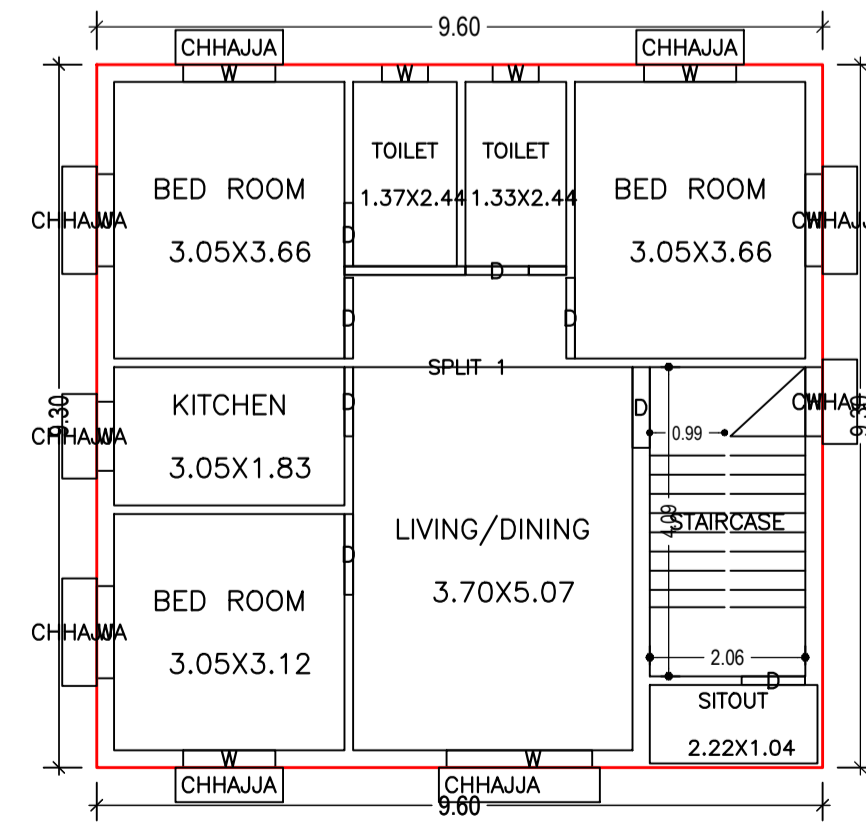
LOCATION PLAN NOT TO SCALE



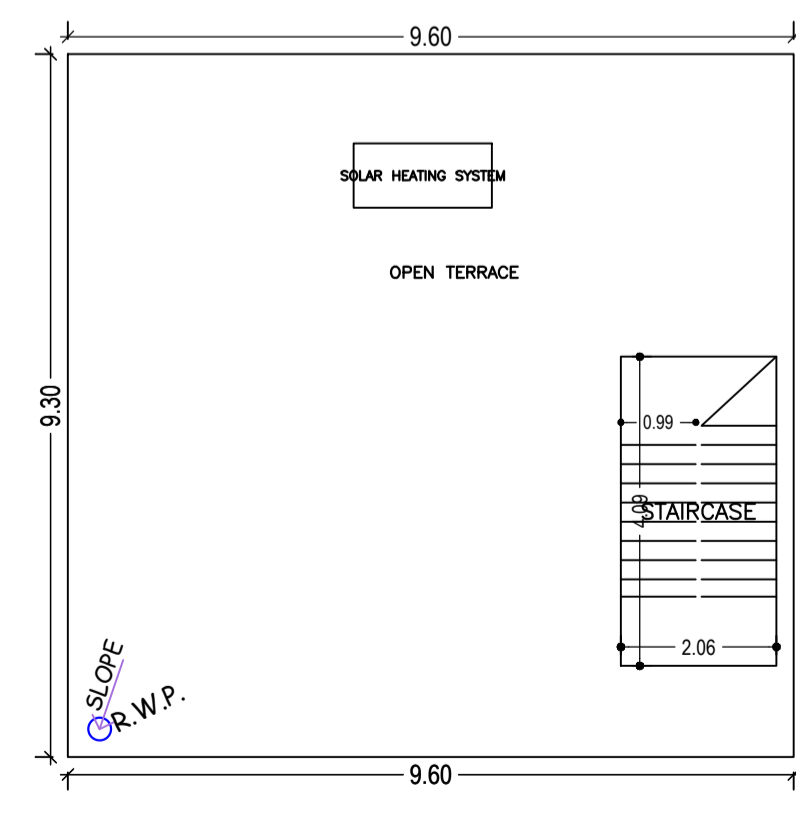
KEY PLAN



GROUND FLOOR PLAN (Proposed) (SCALE 1:100)



FIRST FLOOR PLAN (Proposed) (SCALE 1:100)



TERRACE FLOOR PLAN (SCALE 1:100)

COLOR INDEX

PLOT BOUNDARY	Black
ABUTTING ROAD	Green
PROPOSED CONSTRUCTION	Red
COMMON PLOT	Yellow
ROAD WIDENING AREA	Blue
EXISTING (To be retained)	Orange
EXISTING (To be demolished)	Light Blue

Buildingwise Floor FAR Details

Floor Name	Building Name A (MAHENDRA)		Total	
	Proposed Built Up Area (Sq.mt.)	Proposed FAR Area (Sq.mt.)	Total Proposed Built Up Area (Sq.mt.)	Total FAR Area (Sq.mt.)
Ground Floor	89.26	89.26	89.26	89.26
First Floor	89.26	89.26	89.26	89.26
Terrace Floor	0.00	0.00	0.00	0.00
Total:	178.52	178.52	178.52	178.52

Building USE/SUBUSE Details

Building Name	Building Use	Building SubUse	Building Structure
A (MAHENDRA)	Residential	Bungalow/ Dwelling / Non Apartment	Non-Highrise

LTP NAME AND SIGNATURE	STRUCTURAL ENG'S NAME AND SIGNATURE	BUILDER NAME AND SIGNATURE	DIGITAL SIGNATURE
RAM PRATAP SINGH MADA/ARC/0024/2019			