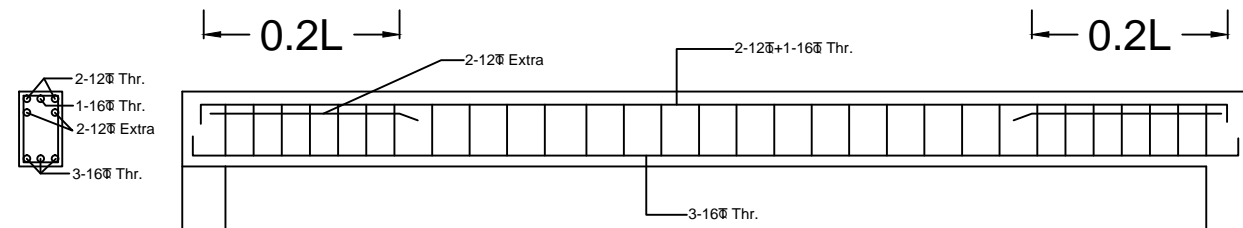


COLUMN DETAILS

SCALE:- 1:50



STRUCTURAL DETAILS OF BEAM

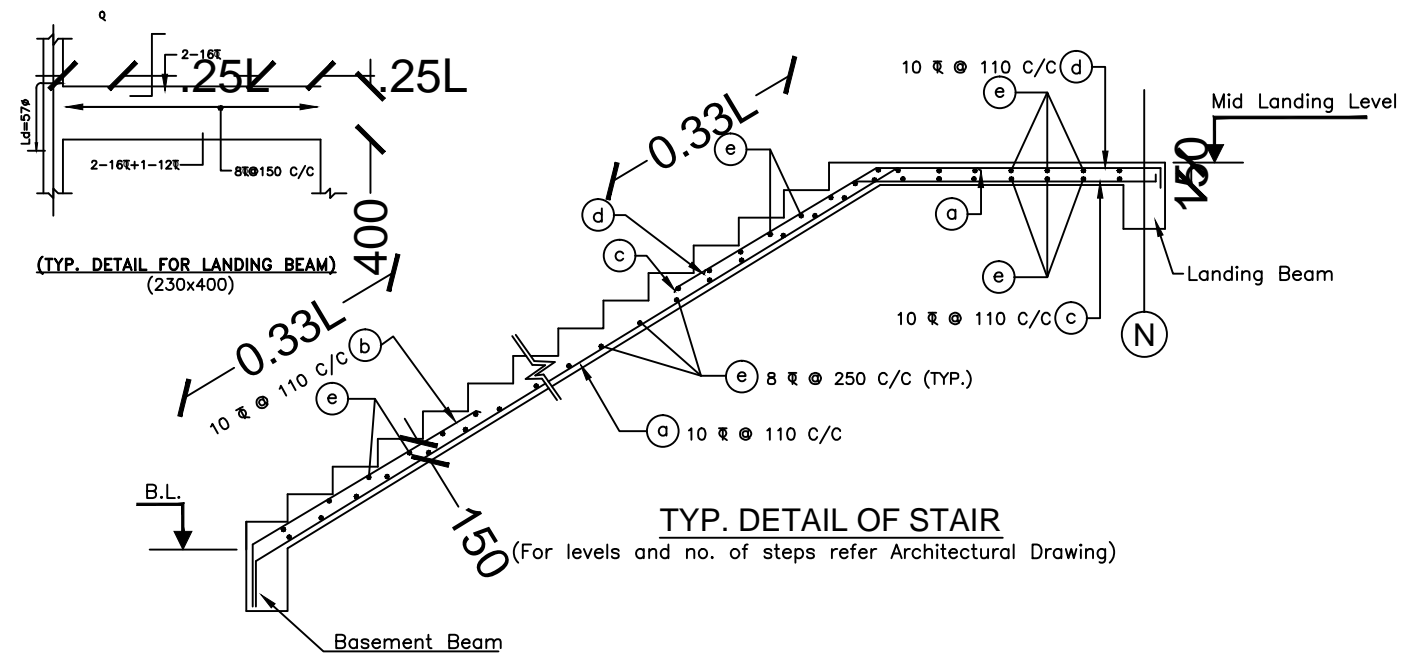
SLAB SCHEDULE (CONC. GRADE M 20)			
THICKNESS OF SLAB = 4.5 *EXCEPT MENTIONED OTHERWISE			
S.N.O.	SLAB MARKED	AT SMALLER SPAN alternate cranked at support	AT LONGER SPAN alternate cranked at support
1	SL	60 nos. Top: 10# @ 6" c/c alternate cranked at support	60 nos. Top: 10# @ 6" c/c alternate cranked at support

EXT. TOP AS BINDER

ALTERNATE CRANKED

TYPICAL

REINFORCEMENT DETAILS OF SLAB



TYP. DETAIL OF STAIR

(For levels and no. of steps refer Architectural Drawing)