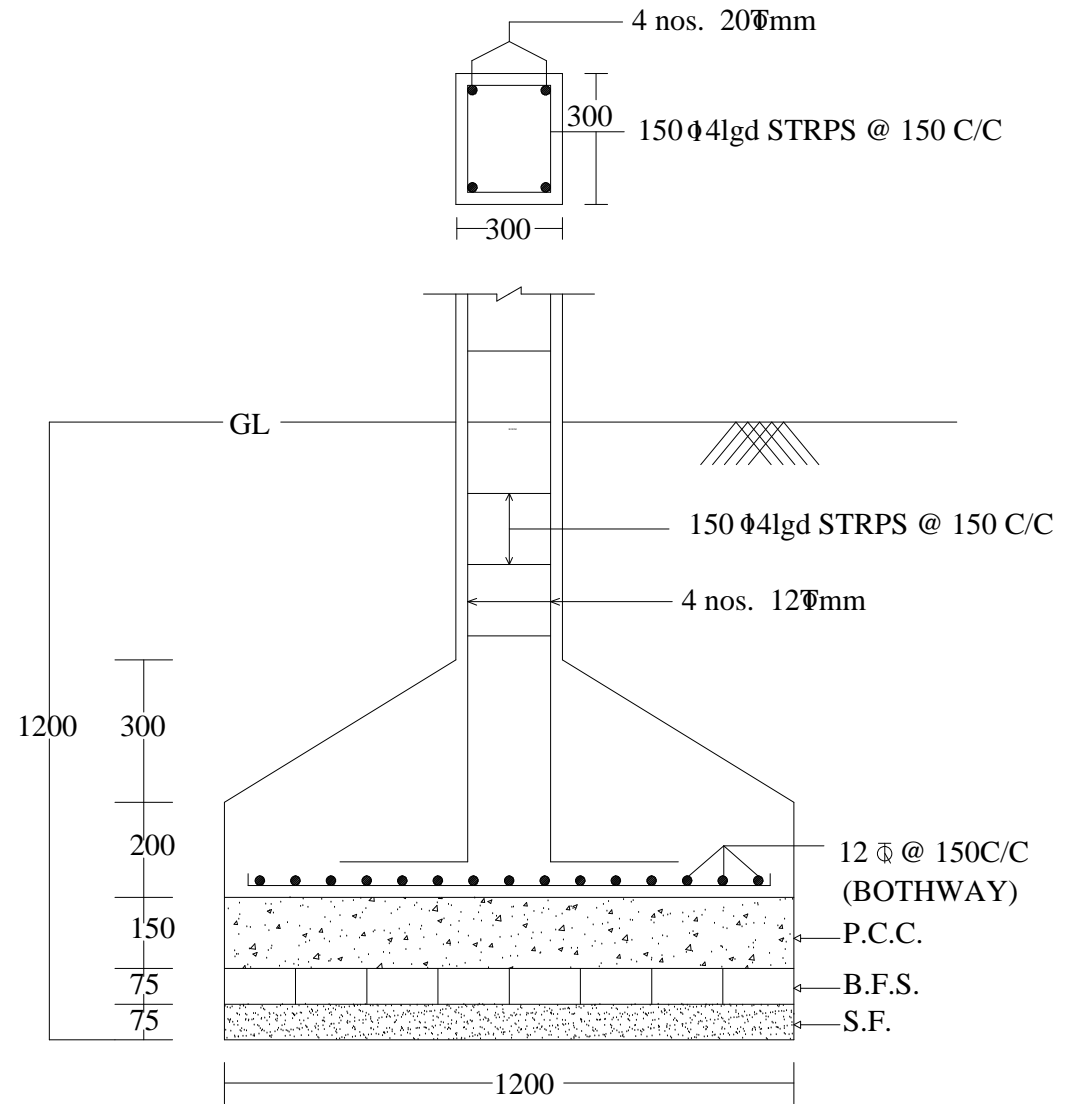


PLAN



SECTION

Structure Detail

DETAIL OF COLUMNS