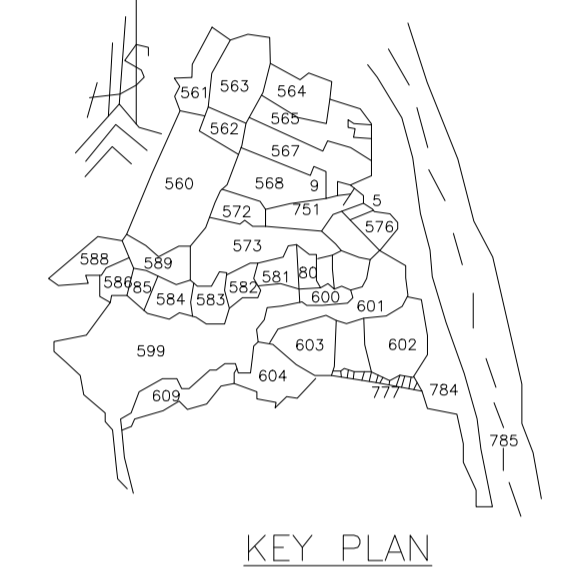
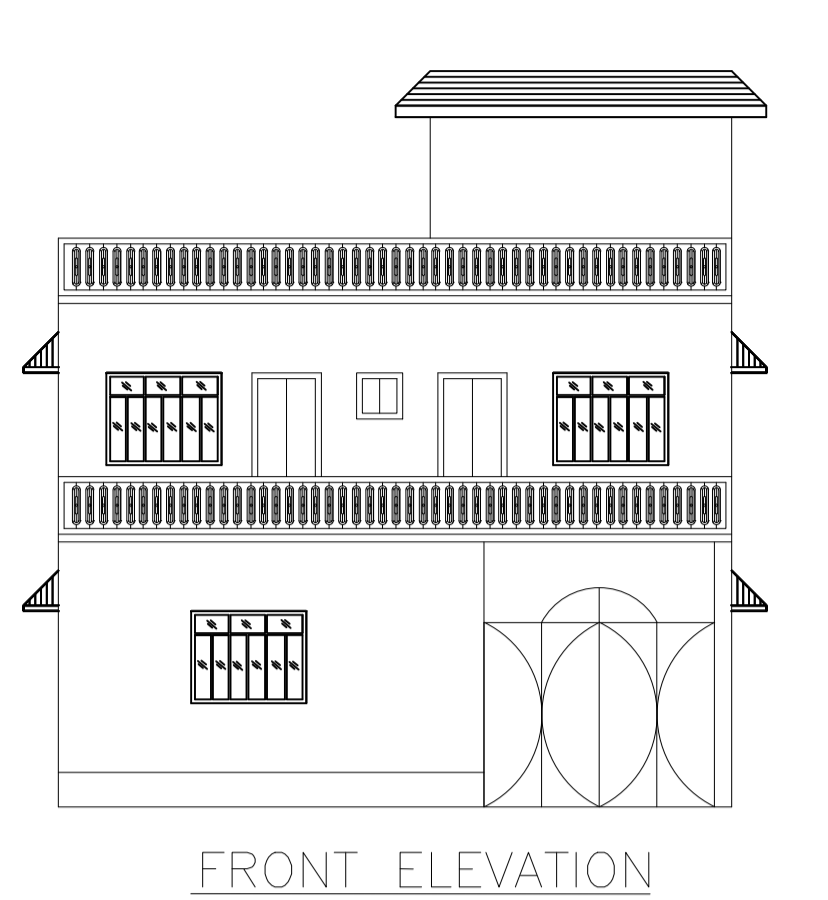
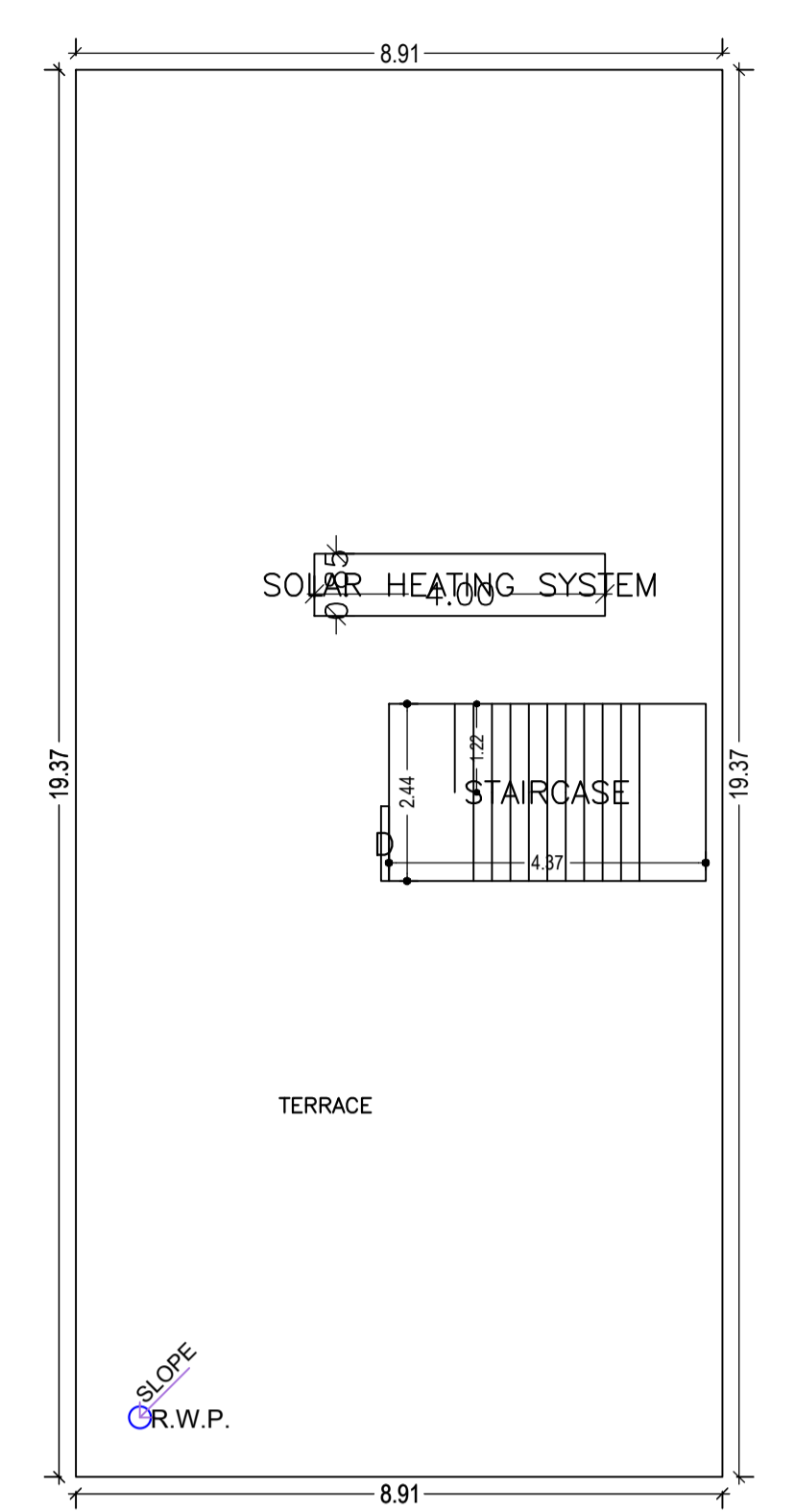
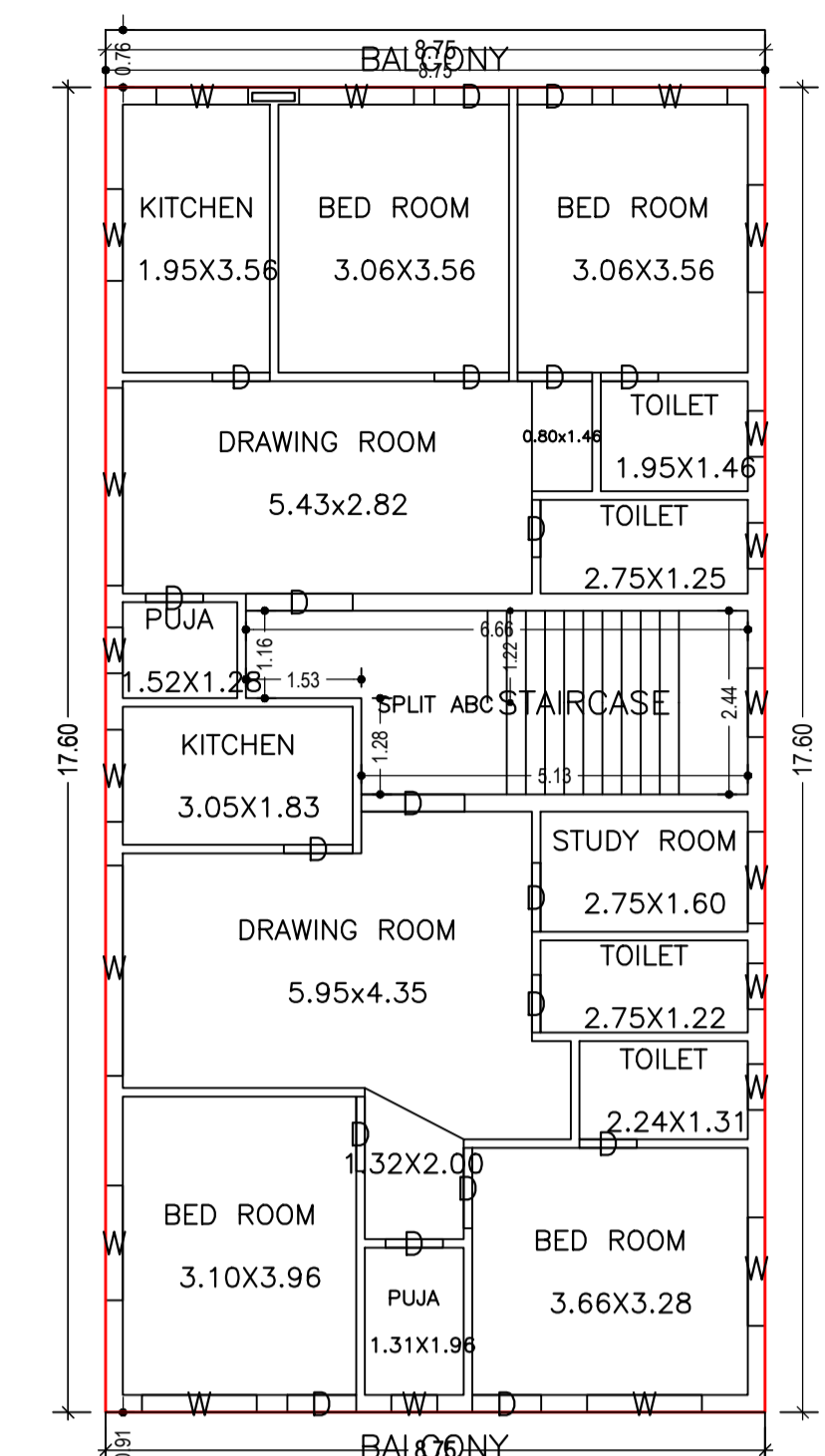
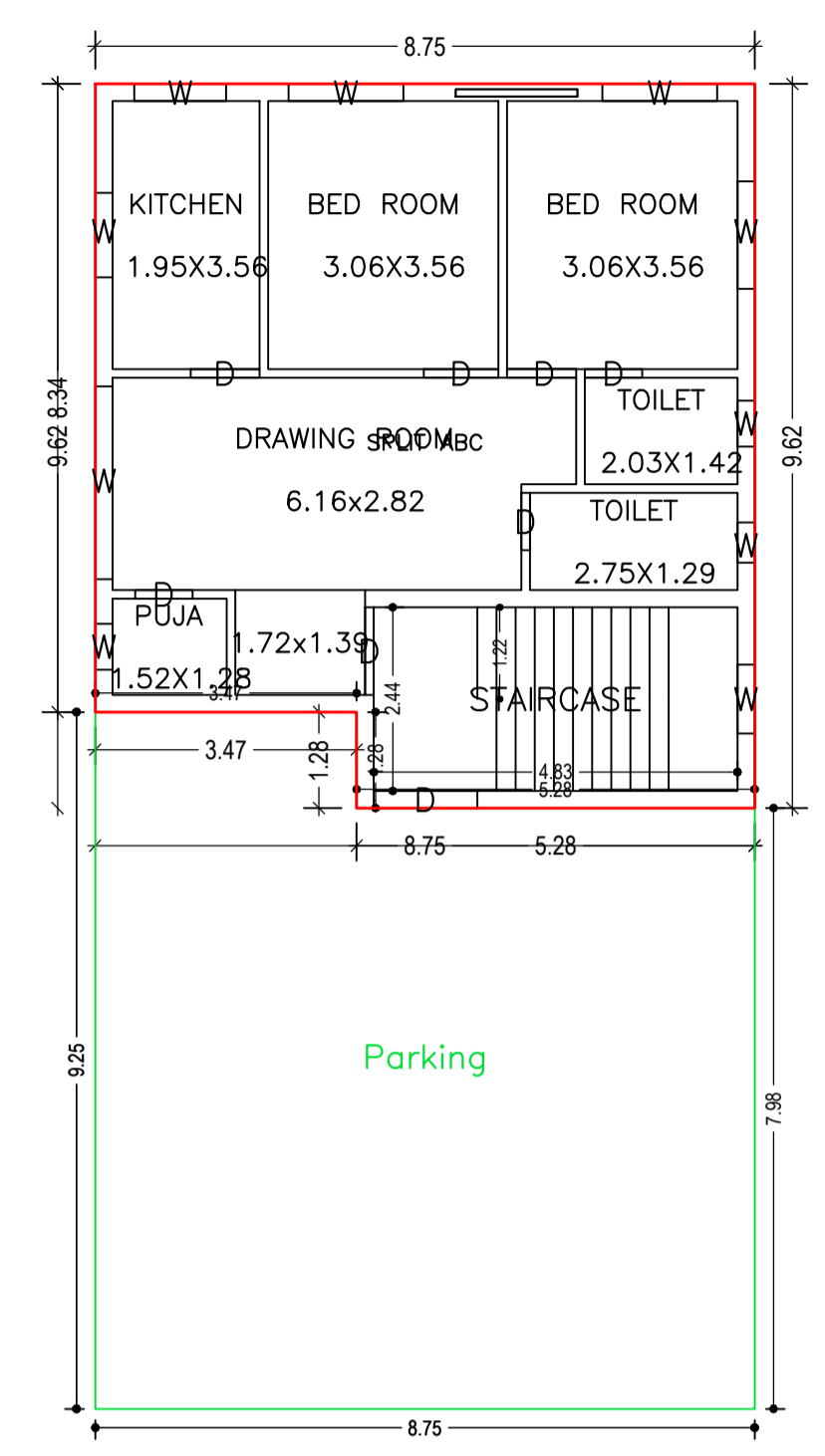
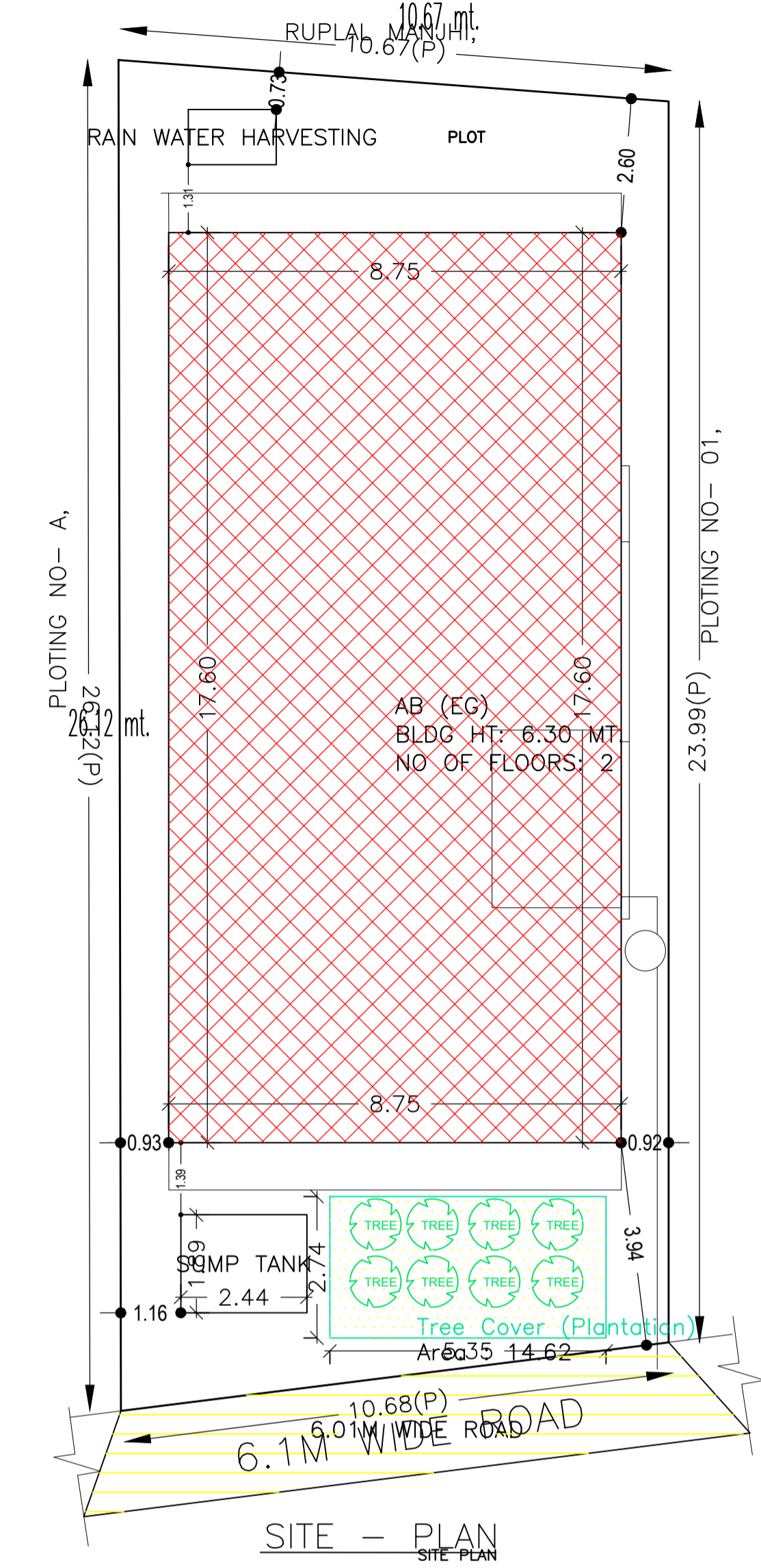


Proposal Basic Information

Proposal File No.	MADA/BP/0297/2023
Owner Name	SRI SUMAN SAURABH
Khata No	NEW -57, OLD -04
Plot No	1606,1605, OLD -601,602
Village Name	Tetulia
Use	Residential
SubUse	Bungalow/ Dwelling / Non Apartment

AREA STATEMENT MINERAL AREA DEVELOPMENT AUTHORITY	VERSION NO.: 1.0.66 VERSION DATE: 16/10/2020
PROJECT DETAIL:	
Region: JHARKHAND URBAN LOCAL BODIES	Plot Use: Residential
District: DHANBAD	Plot SubUse: Bungalow/ Dwelling / Non Apartment
Authority: MINERAL AREA DEVELOPMENT AUTHORITY	PlotNearbyReligiousStructure: NA
Inward No: MADA/BP/0297/2023	Plot/SubPlot No: 1606,1605, OLD -601,602
Application Type: General Proposal	North: Road Width - 6.0M WIDE ROAD
Project Type: Building Permission	South: Plot No. - RUPAL MANJI
Nature of Development: New	East: Plot No. - PLOTTING NO - A
Location of Development Area: Old Area	West: Plot No. - PLOTTING NO -1
AREA DETAILS:	
AREA OF PLOT (Minimum)	(A) 266.02 SQ.MT.
NET AREA OF PLOT(Gross Plot Area - Deduction from Gross Plot area)	(A-Deductions) 266.02
Deduction for Balance Plot Area(from Gross Plot Area)	
Common Plot	14.62
Total	14.62
BALANCE AREA OF PLOT(Net Plot Area - Recreational/Amenity space)	(A-Deductions) 251.40
PLOT AREA FOR COVERAGE(Net Plot Area)	(A-Deductions) 266.02
Plot Area for FAR (Net Plot Area + RoadWidening Area)	(A-Deductions) 266.02
COVERAGE CHECK	
Permissible Coverage area (60.00 %)	159.61
Proposed Coverage Area (57.91 %)	154.04
Total Prop. Coverage Area (57.91 %)	154.04
Balance coverage area (2.09 %)	5.57
FAR CHECK	
Perm. FAR Area (1.800)	478.84
Total Perm. FAR area	478.84
Residential FAR	241.15
Proposed FAR Area	241.15
Total Proposed FAR Area	241.15
Consumed FAR (Factor)	0.91
Balance FAR Area	237.69
BUILT UP AREA CHECK	
Total Proposed BuiltUp Area	322.76
ARCHITECT (Regd)	MANISH AGARWAL
ENGINEER (Regd)	
SUPERVISOR (Regd)	
OWNER (Regd)	SRI SUMAN SAURABH
DEVELOPMENT AUTHORITY LOCAL BODY	



Balcony Calculations Table

FLOOR	SIZE	AREA	TOTAL AREA
FIRST FLOOR PLAN	0.92 X 8.76 X 1 X 1	8.01	14.68
Total	0.76 X 8.76 X 1 X 1	6.67	14.68

Building :AB (EG)

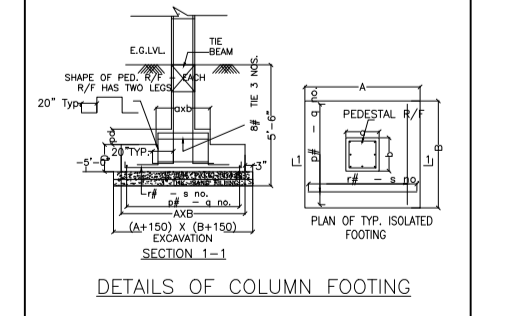
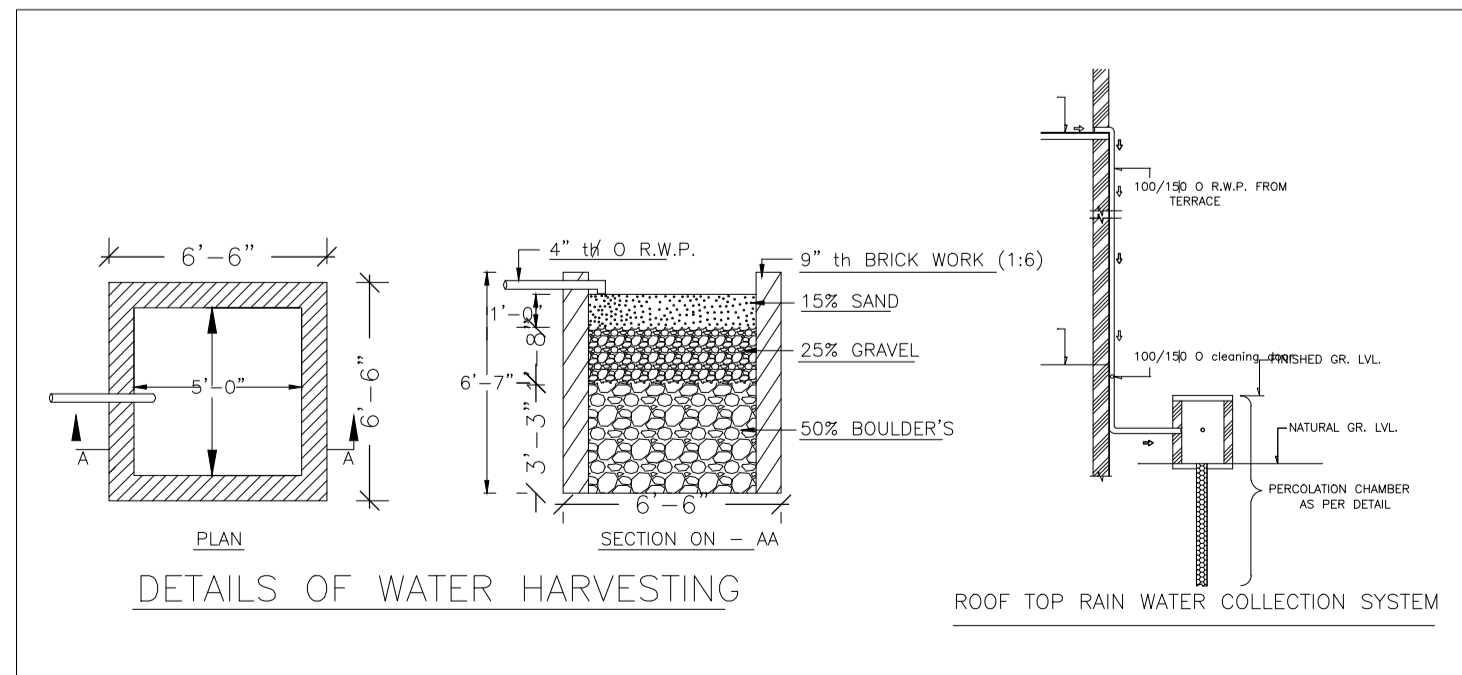
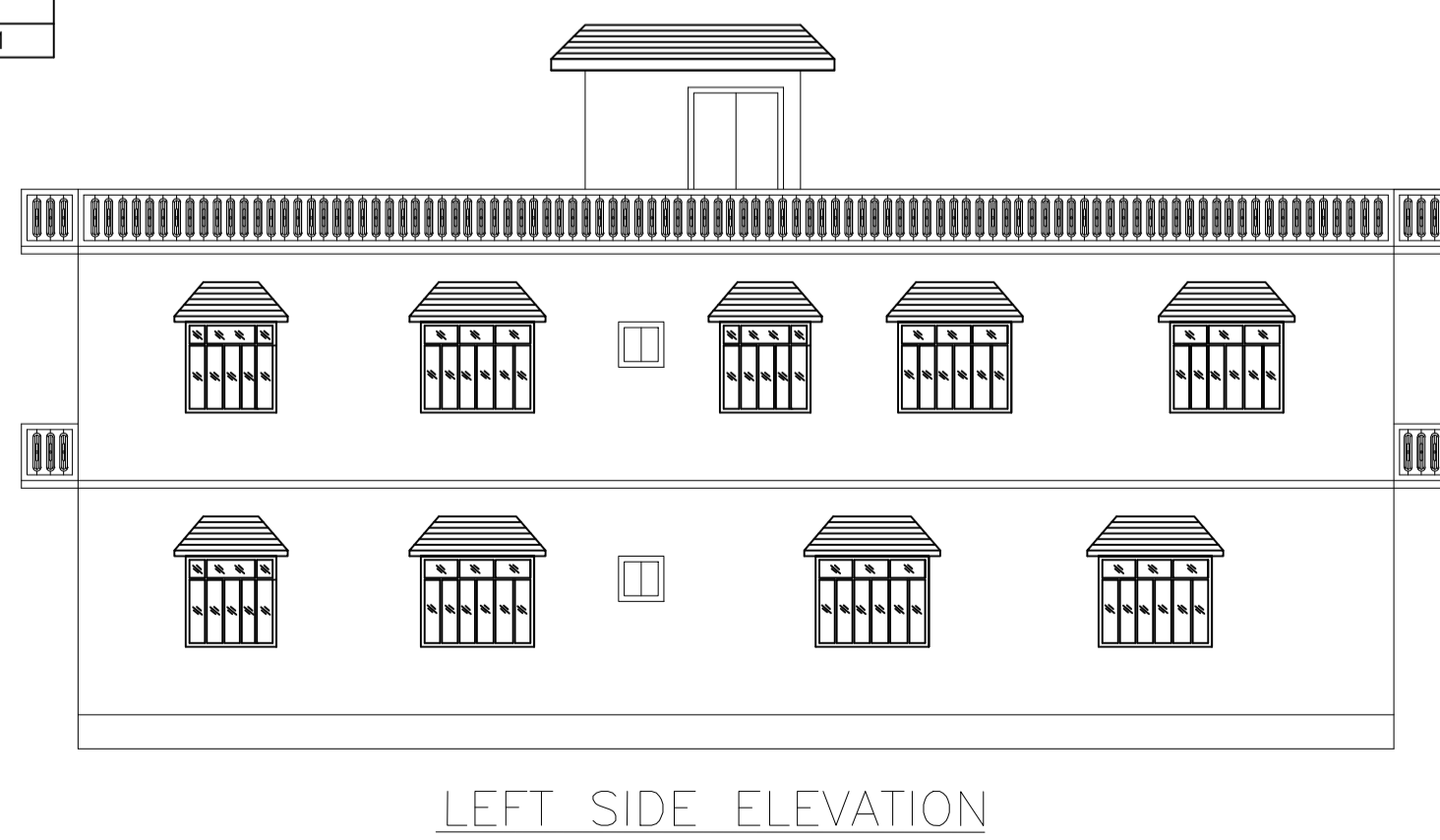
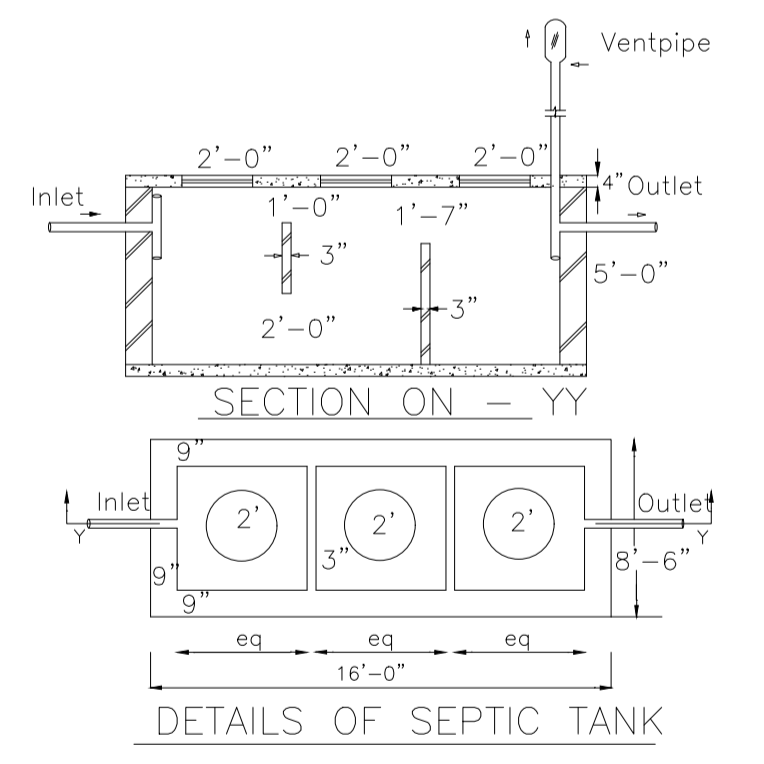
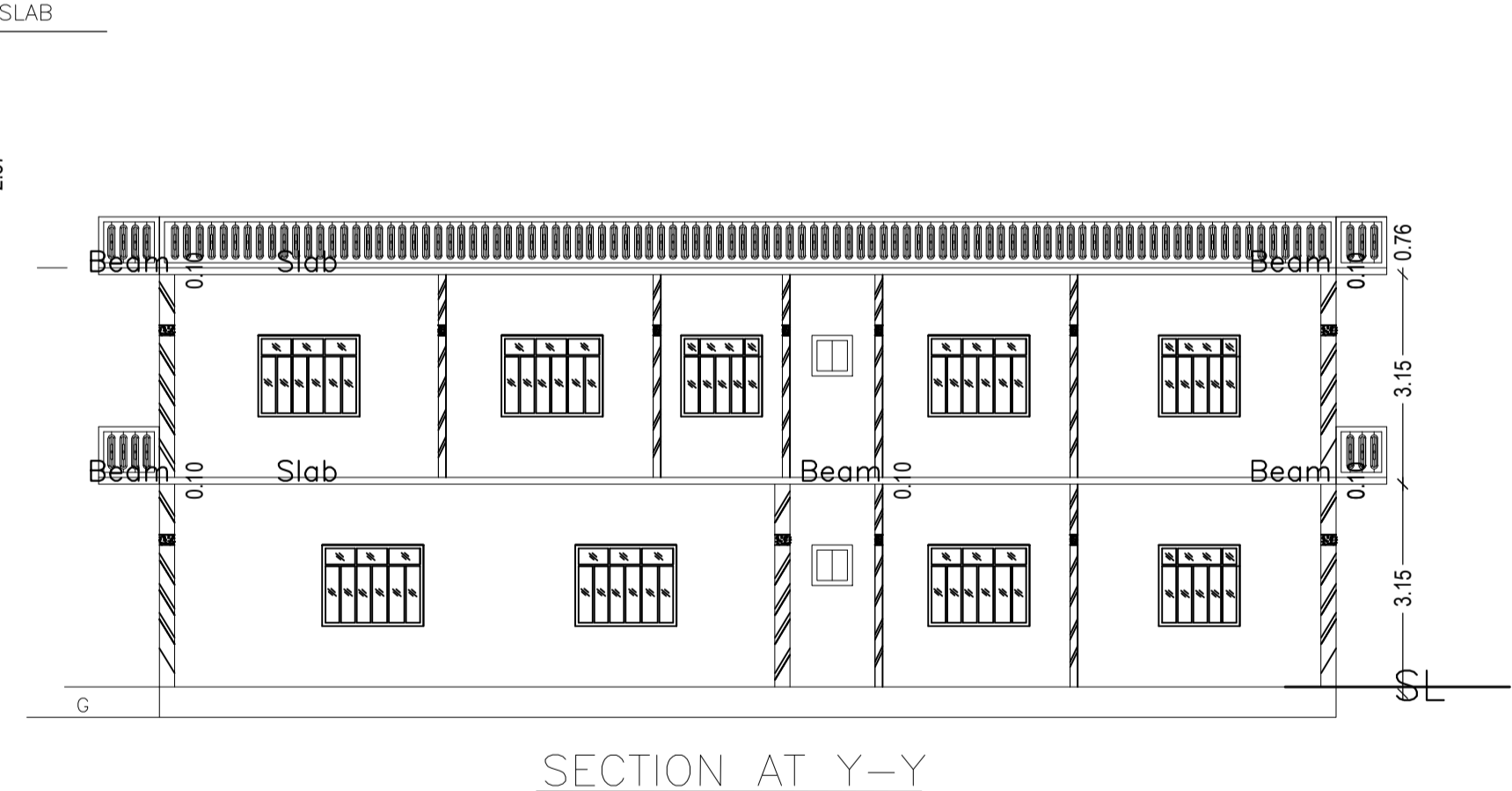
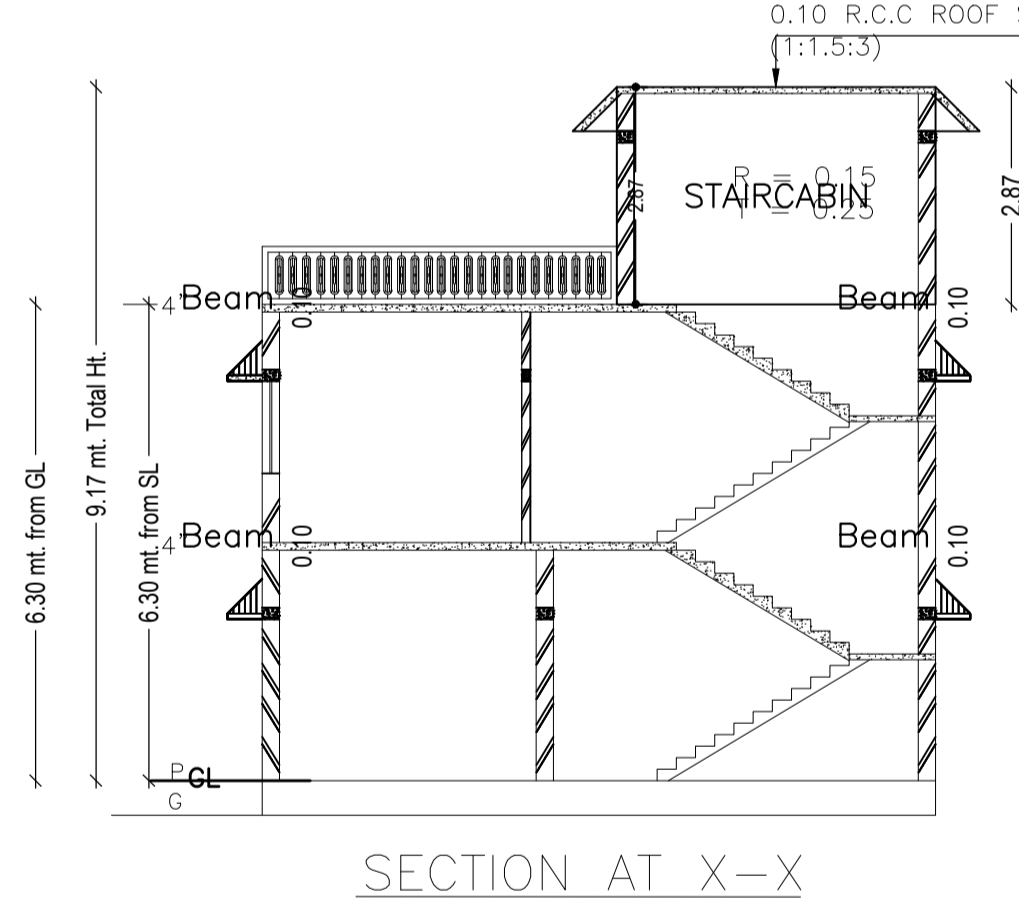
Floor Name	Total Built Up Area (Sq.mt.)	Deductions (Area in Sq.mt.)		Proposed FAR Area (Sq.mt.)	Total FAR Area (Sq.mt.)	Total Consumed Additional FAR Area (Sq.mt.)	Trmt (No.)
		Balcony	Parking				
Ground Floor	154.04	0.00	74.27	79.77	79.77	79.77	01
First Floor	168.72	7.34	0.00	161.38	161.38	161.38	00
Terrace Floor	0.00	0.00	0.00	0.00	0.00	0.00	00
Total	322.76	7.34	74.27	241.15	241.15	241.15	01
Total Number of Same Buildings	1						
Total	322.76	7.34	74.27	241.15	241.15	241.15	01

SCHEDULE OF DOOR:

BUILDING NAME	NAME	LENGTH	HEIGHT	NOS
AB (EG)	D	0.76	2.10	10
AB (EG)	D	0.91	2.10	05
AB (EG)	D	0.92	2.10	01
AB (EG)	D	0.99	2.10	06
AB (EG)	D	1.07	2.10	01
AB (EG)	D	1.16	2.10	01
AB (EG)	D	1.37	2.10	01
AB (EG)	D	1.42	2.10	01

SCHEDULE OF WINDOW/VENTILATION:

BUILDING NAME	NAME	LENGTH	HEIGHT	NOS
AB (EG)	W	0.53	1.20	01
AB (EG)	W	0.61	1.20	08
AB (EG)	W	0.91	1.20	02
AB (EG)	W	1.12	1.20	01
AB (EG)	W	1.22	1.20	05
AB (EG)	W	1.42	1.20	02
AB (EG)	W	1.44	1.20	01
AB (EG)	W	1.52	1.20	07
AB (EG)	W	2.56	1.20	01
AB (EG)	W	2.63	1.20	01
AB (EG)	W	2.80	1.20	01



Color	Description
Black	PLOT BOUNDARY
Red	ABUTTING ROAD
Green	PROPOSED CONSTRUCTION
Yellow	COMMON PLOT
Blue	ROAD WIDENING AREA
White	EXISTING (To be retained)
Grey	EXISTING (To be demolished)

Floor Name	Building Name AB (EG)		Total	
	Proposed Built Up Area (Sq.mt.)	Proposed FAR Area (Sq.mt.)	Total Proposed Built Up Area (Sq.mt.)	Total FAR Area (Sq.mt.)
Ground Floor	154.04	79.77	154.04	79.77
First Floor	168.72	161.38	168.72	161.38
Terrace Floor	0.00	0.00	0.00	0.00
Total	322.76	241.15	322.76	241.15

Building Name	Building Use	Building SubUse	Building Structure
AB (EG)	Residential	Bungalow/ Dwelling / Non Apartment	Non-Highrise

Building	No. of Same Bldg	Total Built Up Area (Sq.mt.)	Deductions (Area in Sq.mt.)		Proposed FAR Area (Sq.mt.)	Total FAR Area (Sq.mt.)	Total Consumed Additional FAR Area (Sq.mt.)	Trmt (No.)
			Balcony	Parking				
AB (EG)	1	322.76	7.34	74.27	241.15	241.15	241.15	01
Grand Total	1	322.76	7.34	74.27	241.15	241.15	241.15	01

UnitBUA Table for Building :AB (EG)

FLOOR	Name	UnitBUA Type	UnitBUA Area	Carpet Area	No. of Rooms	No. of Tenement
GROUND FLOOR PLAN	SPLIT ABC	FLAT	248.49	233.59	7	1
FIRST FLOOR PLAN	SPLIT ABC	FLAT	0.00	0.00	15	0
Total			248.49	233.59	22	1

LTP NAME AND SIGNATURE	STRUCTURAL ENG'S NAME AND SIGNATURE	BUILDER NAME AND SIGNATURE	DIGITAL SIGNATURE
MANISH AGARWAL MADA/ARC/0008/2020			