

Building :RESI (AMAN)

Floor Name	Gross Builtup Area	Deductions From Gross BUA(Area in Sq.mt.)	Total Built Up Area (Sq.mt.)	Deductions (Area in Sq.mt.)		Proposed FAR Area (Sq.mt.)	Add Area In FAR (Sq.mt.)	Total FAR Area (Sq.mt.)	Total Consumed Additional FAR Area (Sq.mt.)	Trmt (No.)
				VShaft	Parking					
Basement Floor	125.11	0.00	125.11	1.84	89.35	26.02	7.90	33.92	33.92	01
Ground Floor	159.57	4.84	154.73	1.84	0.00	152.89	0.00	152.89	152.89	00
First Floor	156.85	4.84	152.01	1.84	0.00	150.17	0.00	150.17	150.17	00
Terrace Floor	0.00	0.00	0.00	0.00	0.00	0.00	0.00	0.00	0.00	00
Total :	441.53	9.68	431.85	5.52	89.35	329.08	7.90	336.98	336.98	01
Total Number of Same Buildings :	1									
Total :	441.53	9.68	431.85	5.52	89.35	329.08	7.90	336.98	336.98	01

SCHEDULE OF DOOR:

BUILDING NAME	NAME	LENGTH	HEIGHT	NOS
RESI (AMAN)	D	0.71	2.10	01
RESI (AMAN)	D	0.76	2.10	02
RESI (AMAN)	D	0.84	2.10	09
RESI (AMAN)	D	0.91	2.10	01
RESI (AMAN)	D	0.99	2.10	04
RESI (AMAN)	D	1.07	2.10	05
RESI (AMAN)	O	1.83	2.10	01

SCHEDULE OF WINDOW/VENTILATION:

BUILDING NAME	NAME	LENGTH	HEIGHT	NOS
RESI (AMAN)	W	0.61	1.20	03
RESI (AMAN)	W	0.72	1.20	01
RESI (AMAN)	W	0.74	1.20	01
RESI (AMAN)	W	0.76	1.20	03
RESI (AMAN)	W	1.07	1.20	01
RESI (AMAN)	W	1.52	1.20	02
RESI (AMAN)	W	1.64	1.20	01
RESI (AMAN)	W	1.83	1.20	02
RESI (AMAN)	W	2.01	1.20	01
RESI (AMAN)	W	2.44	1.20	03

UnitBUA Table for Building :RESI (AMAN)

FLOOR	Name	UnitBUA Type	UnitBUA Area	Carpet Area	No. of Rooms	No. of Tenement
BASEMENT FLOOR PLAN	SPLIT 1	FLAT	325.51	322.49	1	1
GROUND FLOOR PLAN	SPLIT 1	FLAT	0.00	0.00	10	0
FIRST FLOOR PLAN	SPLIT 1	FLAT	0.00	0.00	13	0
Total:	-	-	325.51	322.49	24	1

Proposal Basic Information

Proposal File No.	MADA/BP/0317/2023
Owner Name	SRI. AMAN KUMAR
Khata No	74 (Old) ,182 (New)
Plot No	618 (OLD), 430 (NEW)
Village Name	Amaghata
Use	Residential
SubUse	Bungalow/ Dwelling / Non Apartment

AREA STATEMENT MINERAL AREA DEVELOPMENT AUTHORITY

VERSION NO: 1.0.66
VERSION DATE: 16/10/2020

PROJECT DETAIL:
Region: JHARKHAND URBAN LOCAL BODIES
District: DHANBAD
Authority: MINERAL AREA DEVELOPMENT AUTHORITY
Inward No: MADA/BP/0317/2023
Application Type: General Proposal
Project Type: Building Permission
Nature of Development: New
Location of Development Area: Old Area

AREA DETAILS:	SQ.MT.
AREA OF PLOT (Minimum)	(A) 259.71
NET AREA OF PLOT(Gross Plot Area - Deduction from Gross Plot Area)	259.71
Deduction for Balance Plot Area(from Gross Plot Area)	
Common Plot	18.63
Total	18.63
BALANCE AREA OF PLOT(Net Plot Area - Recreational/Amenity space)	(A-Deductions) 241.08
PLOT AREA FOR COVERAGE(Net Plot Area)	(A-Deductions) 259.71
Plot Area for FAR (Net Plot Area + Road/Widening Area)	(A-Deductions) 259.71
COVERAGE CHECK	
Permissible Coverage area (60.00 %)	155.83
Proposed Coverage Area (59.58 %)	154.73
Total Prop. Coverage Area (59.58 %)	154.73
Balance coverage area (0.42 %)	1.10
FAR CHECK	
Perm. FAR Area (2.500)	649.27
Total Perm. FAR area	649.27
Residential FAR	329.07
Proposed FAR Area	336.98
Total Proposed FAR Area	336.98
Consumed FAR (Factor)	1.30
Balance FAR Area	312.29
BUILT UP AREA CHECK	
Total Proposed BuiltUp Area	431.85
ARCHITECT (Regd)	ANIL KUMAR CHAUDHARY
ENGINEER (Regd)	
SUPERVISOR (Regd)	
OWNER (Regd)	SRI. AMAN KUMAR
DEVELOPMENT AUTHORITY	LOCAL BODY

COLOR INDEX

PLOT BOUNDARY	Black
ABUTTING ROAD	Green
PROPOSED CONSTRUCTION	Red
COMMON PLOT	Yellow
ROAD WIDENING AREA	Blue
EXISTING (To be retained)	Orange
EXISTING (To be demolished)	Light Blue

Buildingwise Floor FAR Details

Floor Name	Building Name		Total	
	Proposed Built Up Area (Sq.mt.)	Proposed FAR Area (Sq.mt.)	Total Proposed Built Up Area (Sq.mt.)	Total FAR Area (Sq.mt.)
Basement Floor	125.11	33.92	125.11	33.92
Ground Floor	154.73	152.89	154.73	152.89
First Floor	152.01	150.17	152.01	150.17
Terrace Floor	0.00	0.00	0.00	0.00
Total :	431.85	336.98	431.85	336.98

Building USE/SUBUSE Details

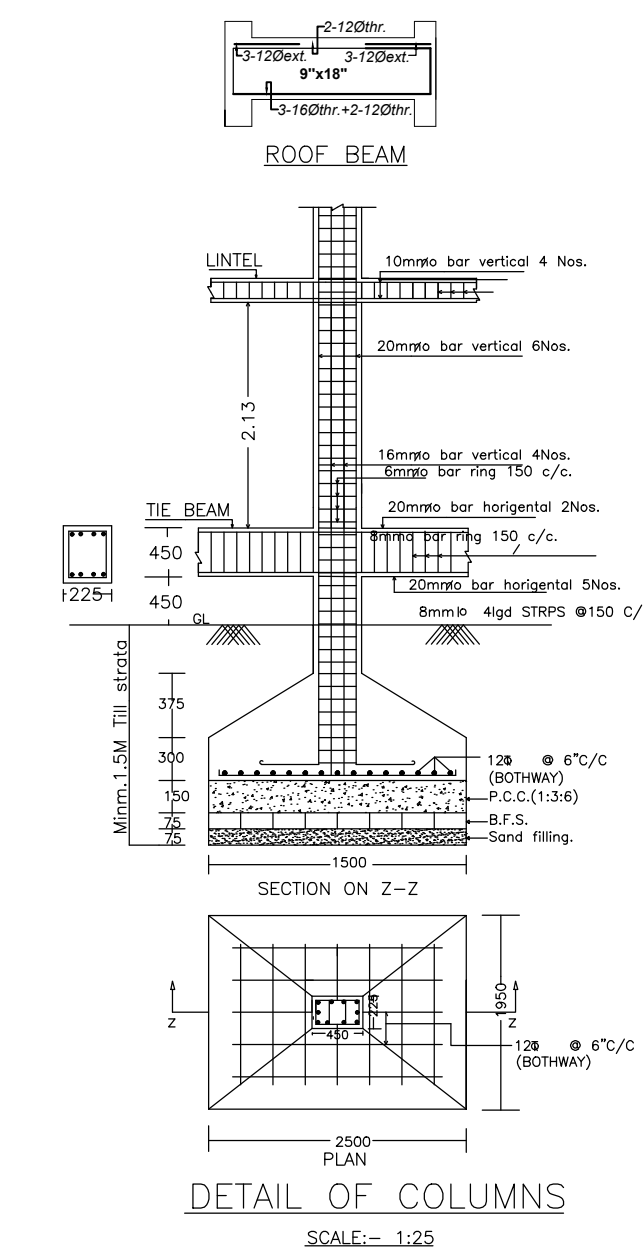
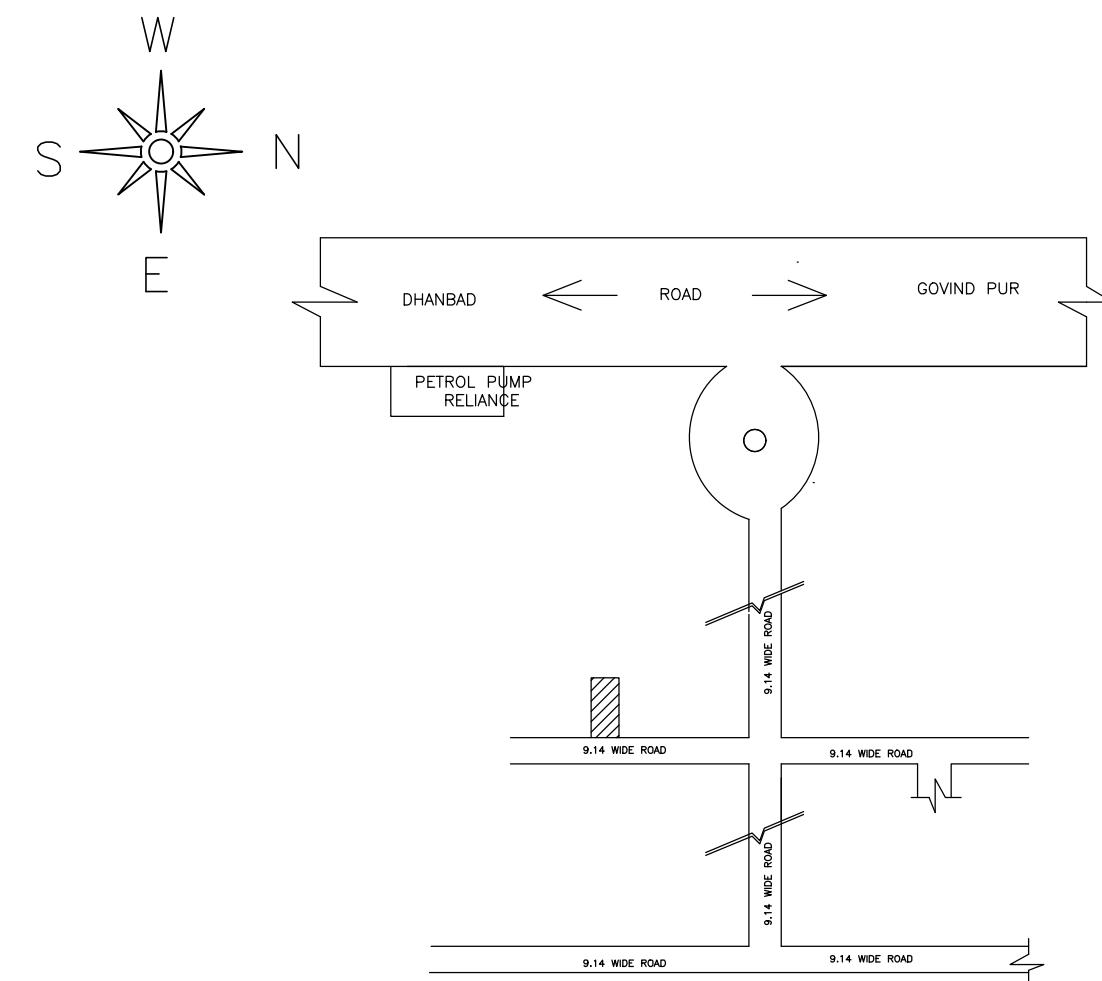
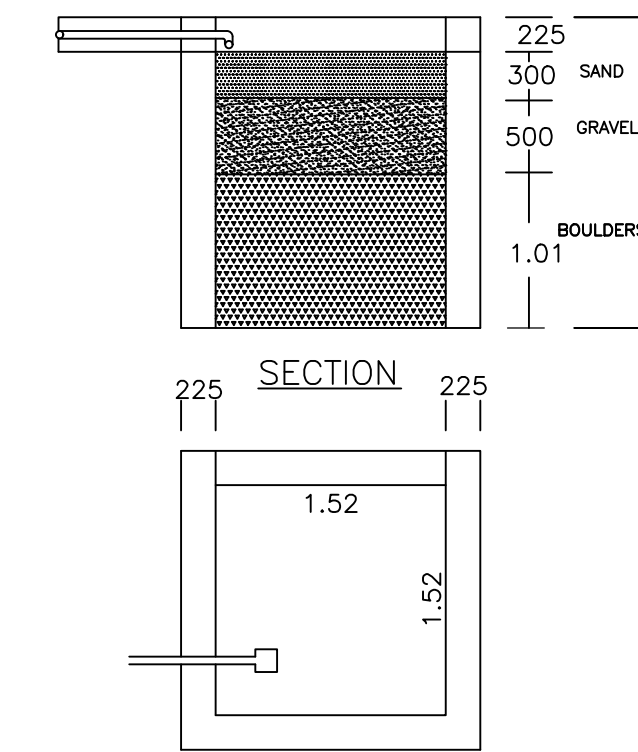
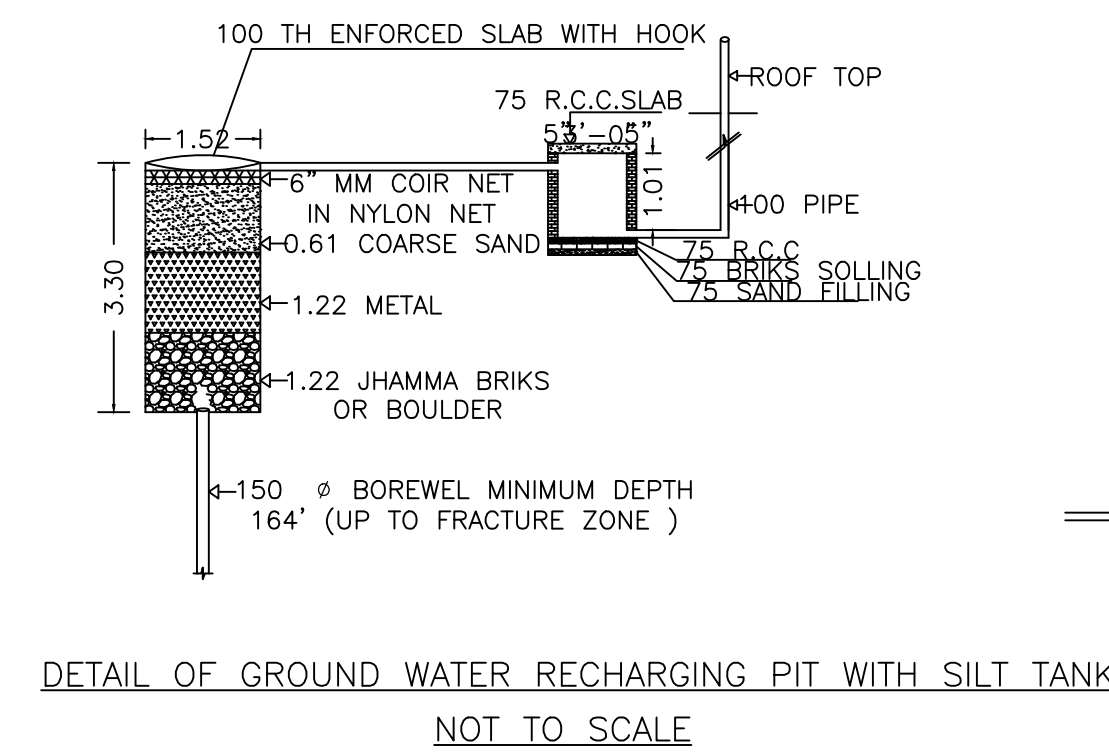
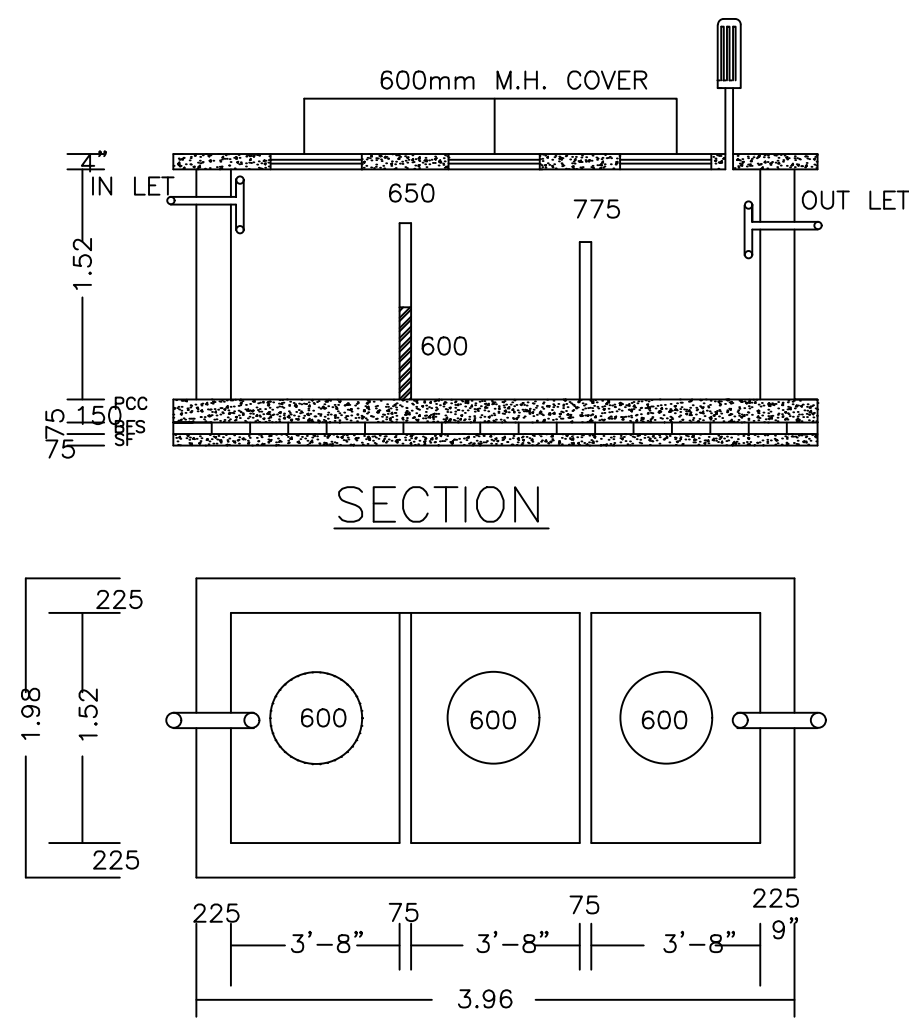
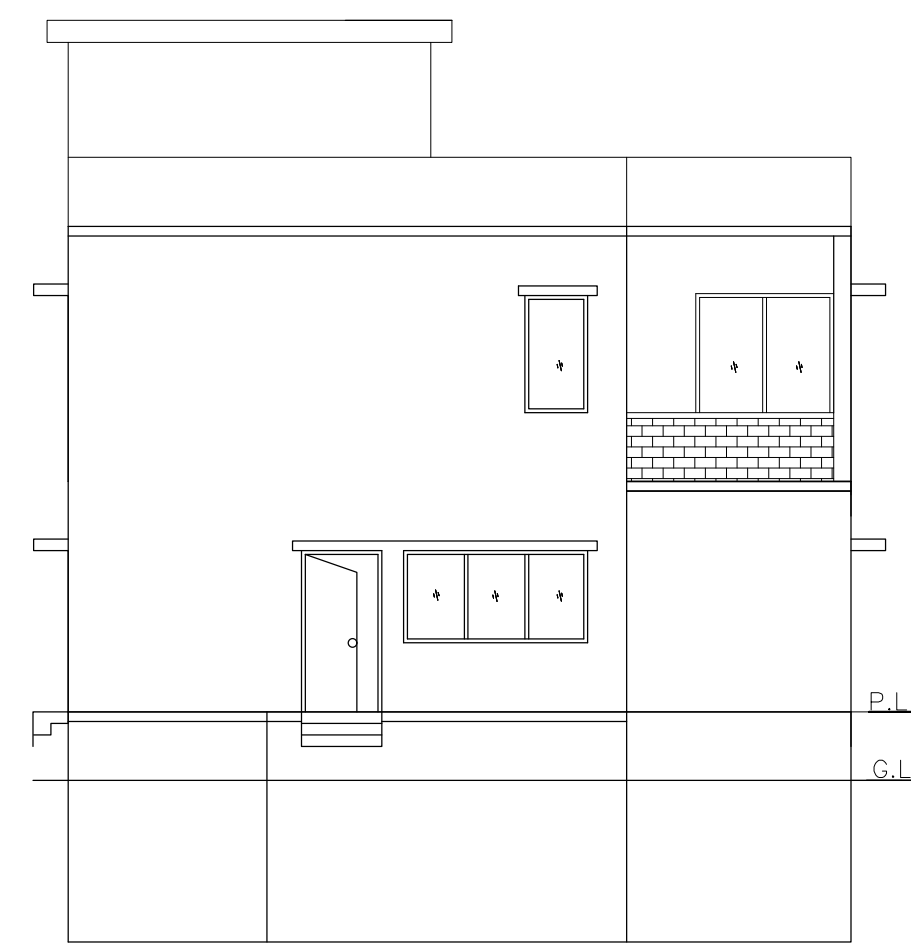
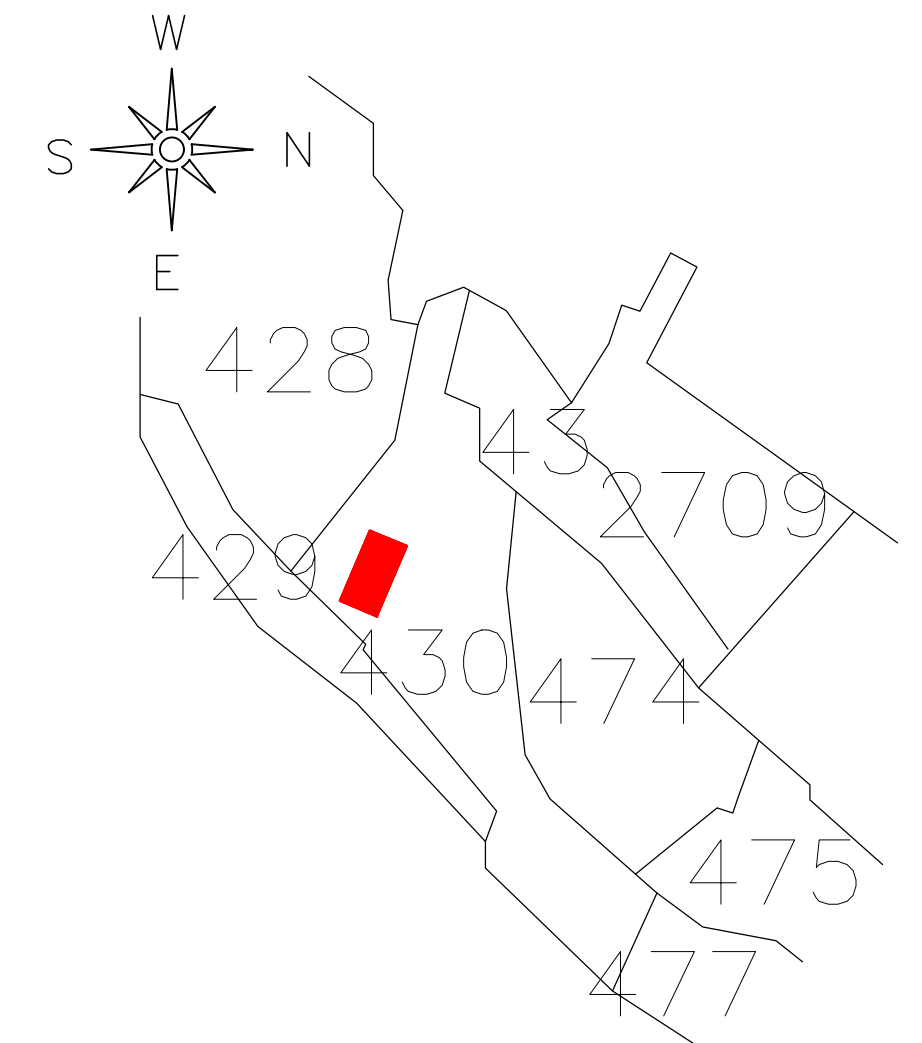
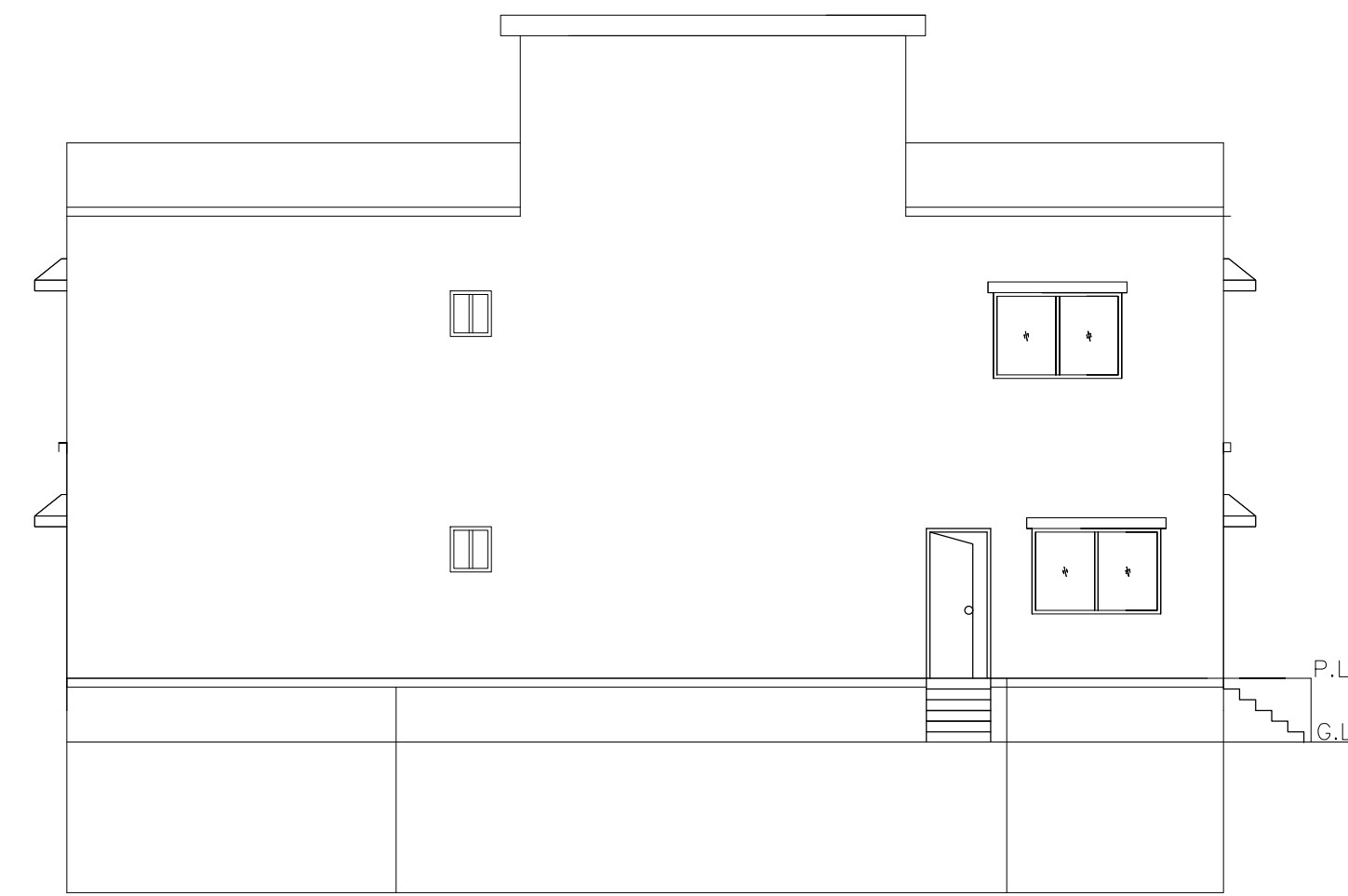
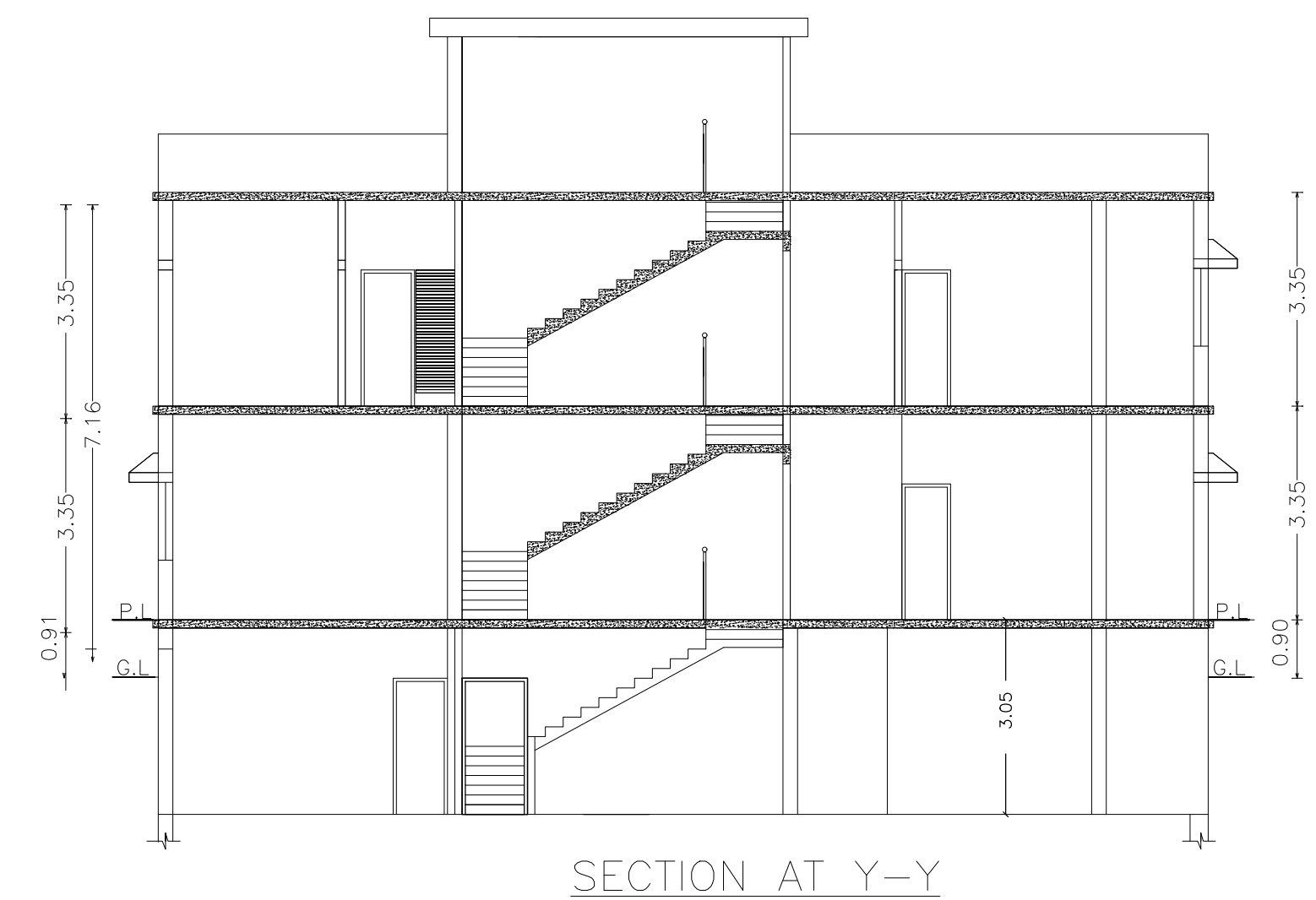
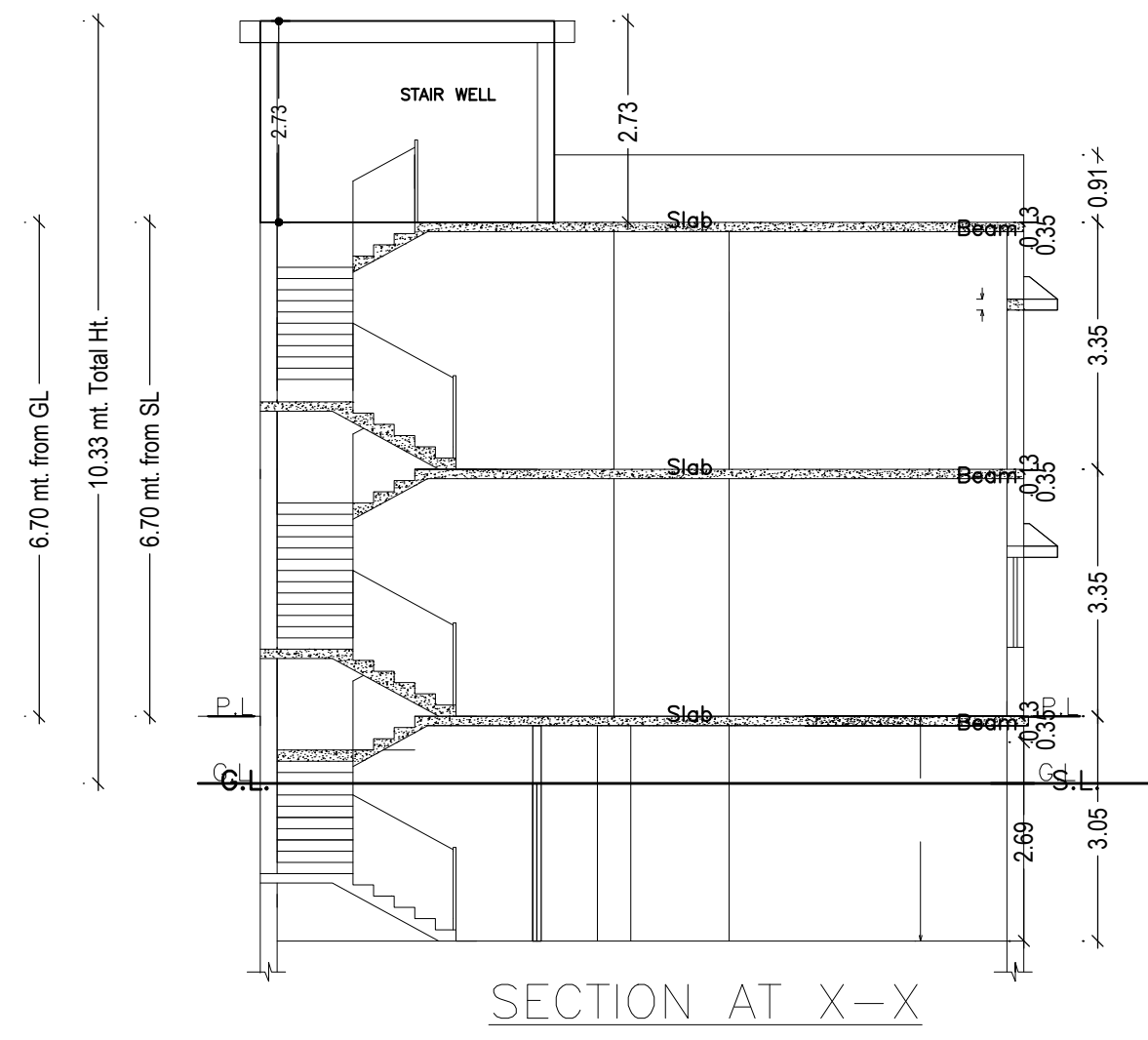
Building Name	Building Use	Building SubUse	Building Structure
RESI (AMAN)	Residential	Bungalow/ Dwelling / Non Apartment	Non-Highrise

FAR & Tenement Details (Table 4c-1)

Building	No. of Same Bldg	Gross Built Up Area (Sq.mt.)	Deductions From Gross BUA(Area in Sq.mt.)	Total Built Up Area (Sq.mt.)	Deductions (Area in Sq.mt.)		Proposed FAR Area (Sq.mt.)	Add Area In FAR (Sq.mt.)	Total FAR Area (Sq.mt.)	Total Consumed Additional FAR Area (Sq.mt.)	Trmt (No.)
					VShaft	Parking					
RESI (AMAN)	1	441.53	9.68	431.85	5.52	89.35	329.08	7.90	336.98	336.98	01
Grand Total	1	441.53	9.68	431.85	5.52	89.35	329.08	7.90	336.98	336.98	01

LTP NAME AND SIGNATURE	STRUCTURAL ENG'S NAME AND SIGNATURE	BUILDER NAME AND SIGNATURE	DIGITAL SIGNATURE
ANIL KUMAR CHAUDHARY MADA/ENG/0005/2019			

Proposal Basic Information	
Proposal File No.	MADA/BP/0317/2023
Owner Name	SRI. AMAN KUMAR
Khata No	74 (Old) ,182 (New)
Plot No	618 (OLD), 430 (NEW)
Village Name	Amaghata
Use	Residential
SubUse	Bungalow/ Dwelling / Non Apartment



LTP NAME AND SIGNATURE	STRUCTURAL ENG'S NAME AND SIGNATURE	BUILDER NAME AND SIGNATURE	DIGITAL SIGNATURE
ANIL KUMAR CHAUDHARY MADA/ENG/0005/2019			