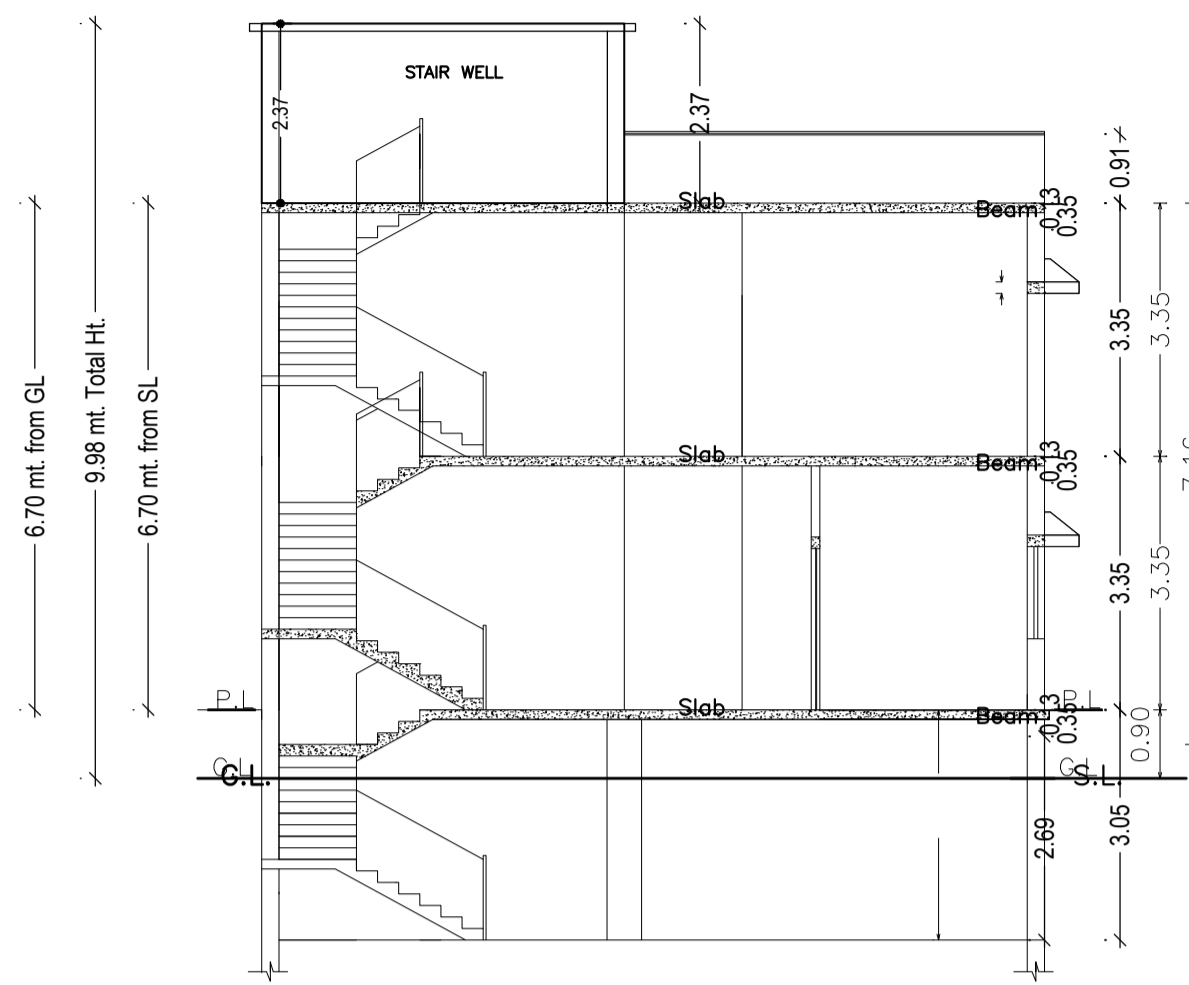
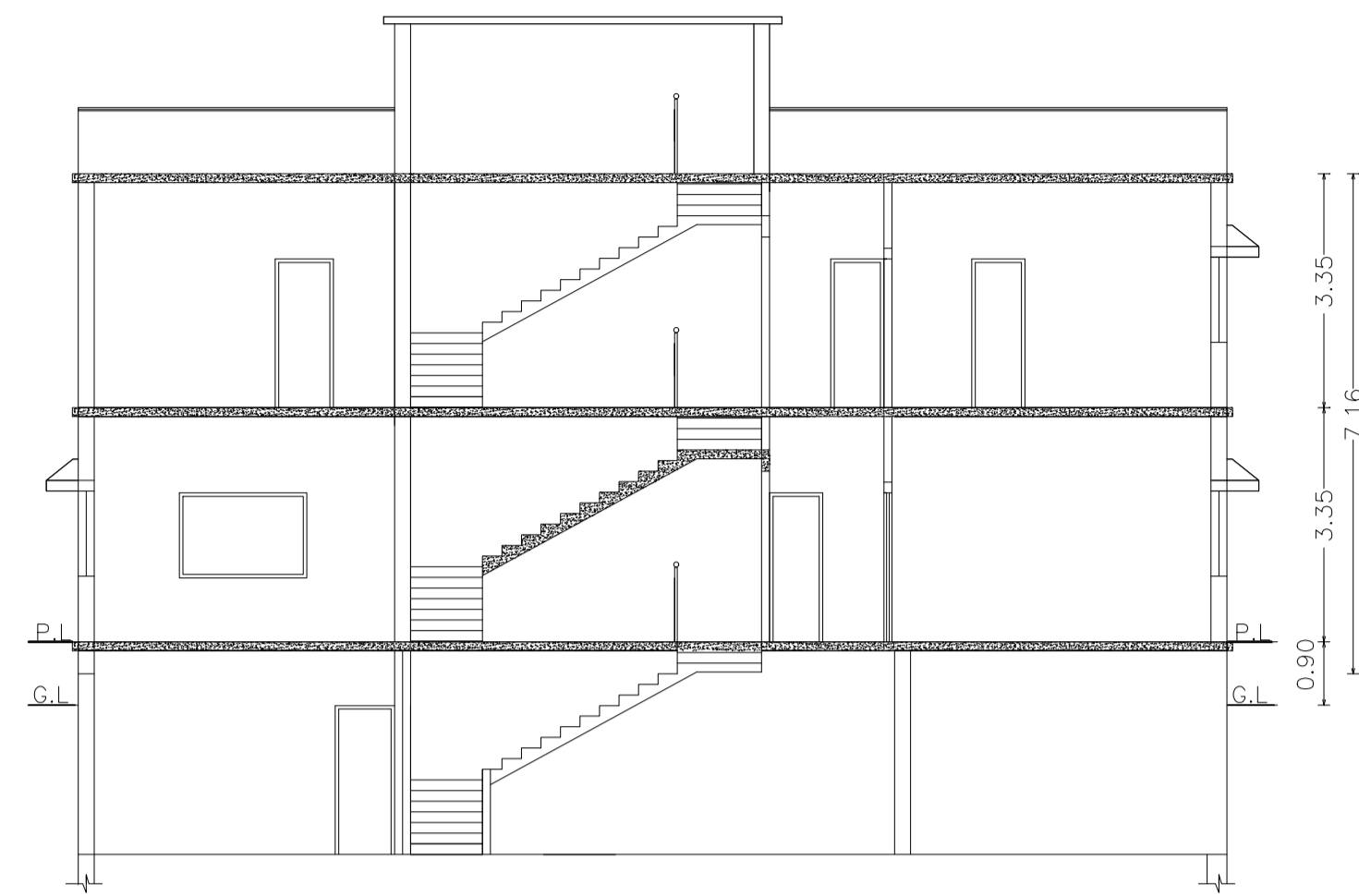




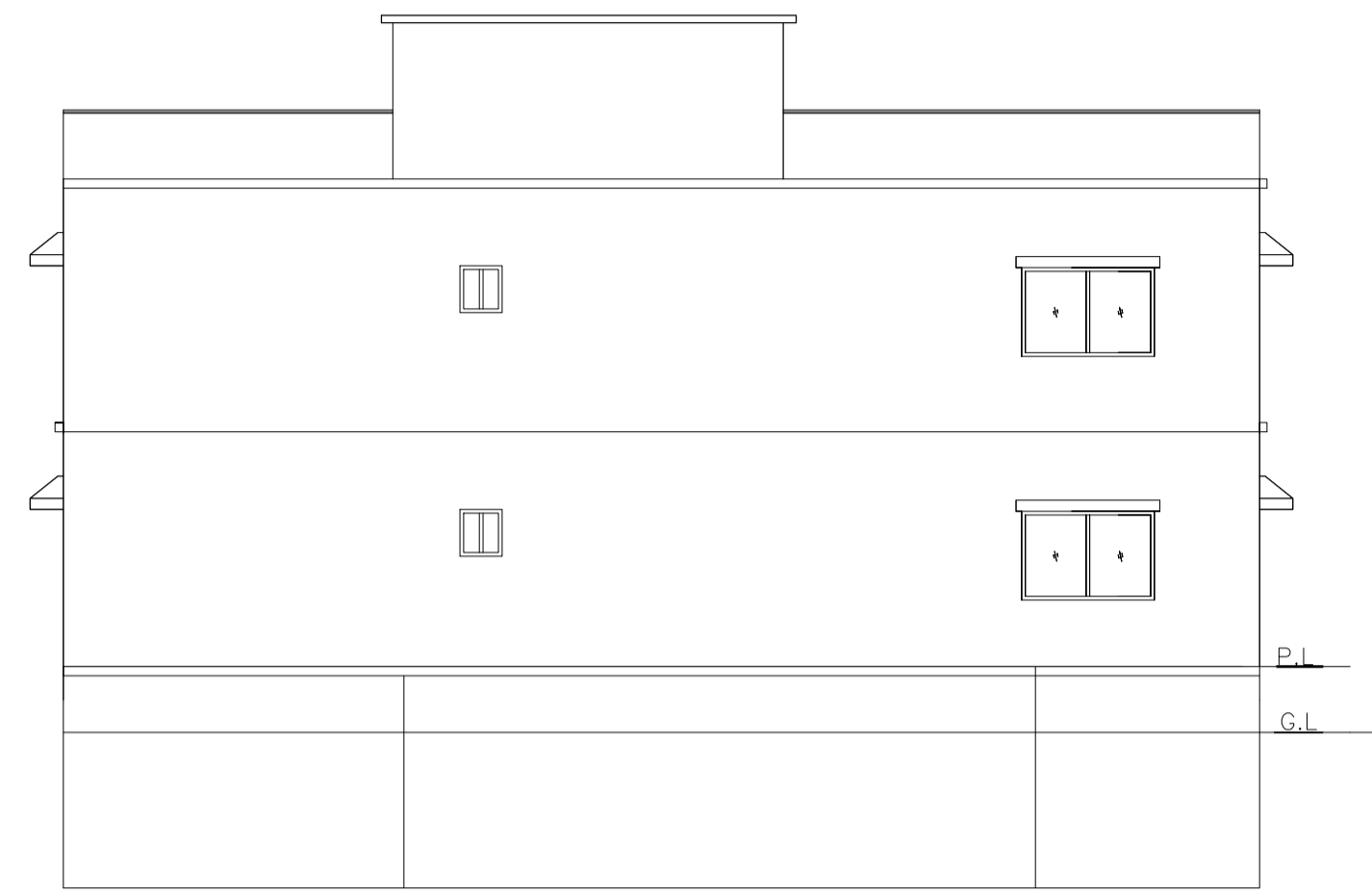
Proposal Basic Information	
Proposal File No.	MADA/BP/0324/2023
Owner Name	(1) SRI RAUNAK AGARWAL (2) SMT KRISHNA DEVI
Khata No	09 (OLD), 78 (NEW)
Plot No	537 (OLD), 591 & 592 (NEW)
Village Name	Amaghata
Use	Residential
SubUse	Bungalow/ Dwelling / Non Apartment



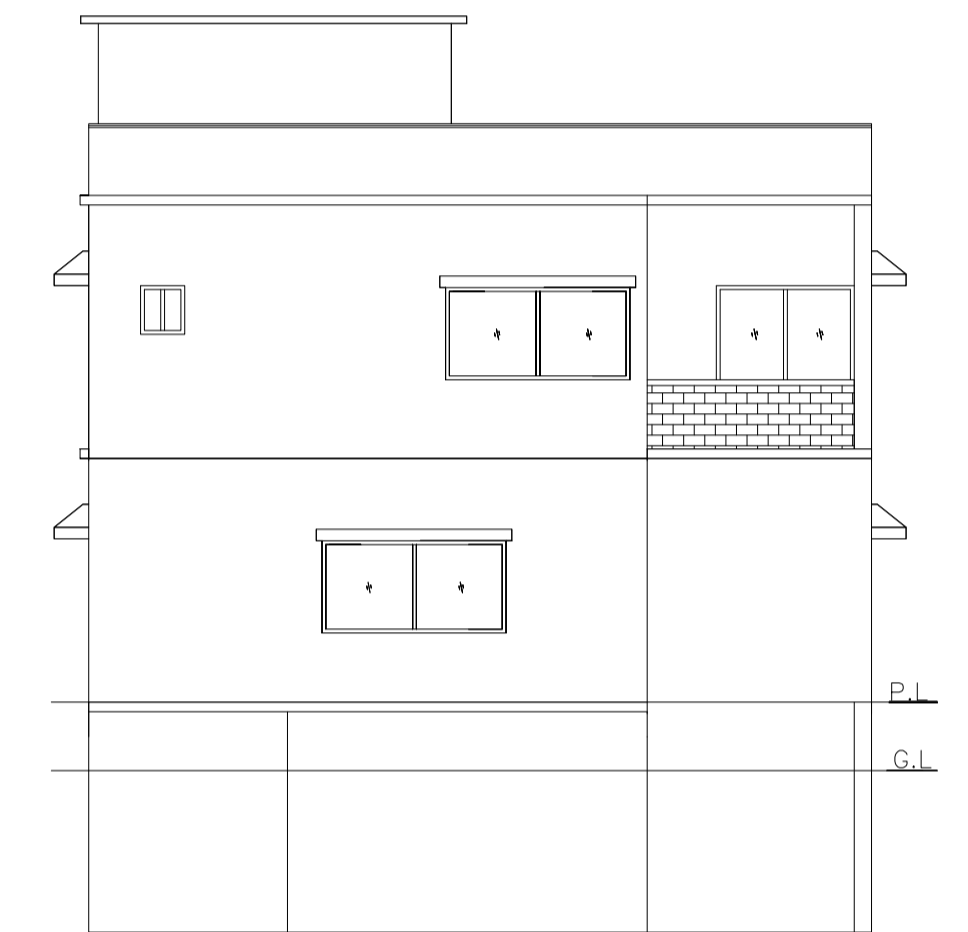
SECTION AT X-X



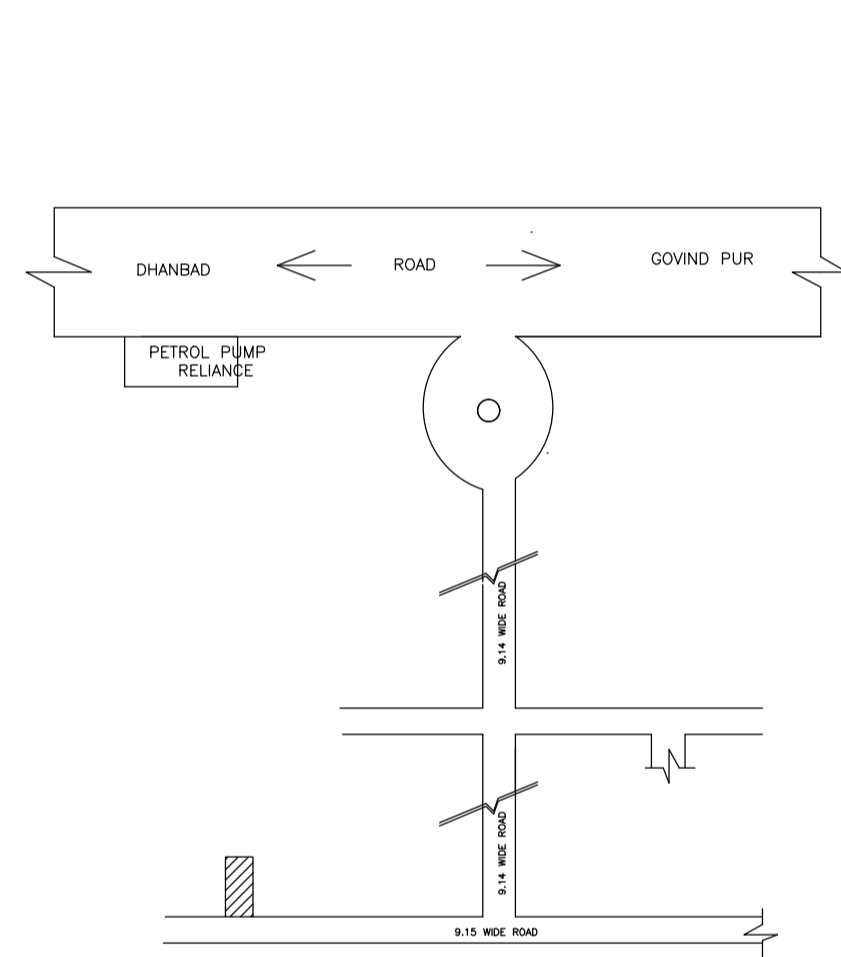
SECTION AT Y-Y



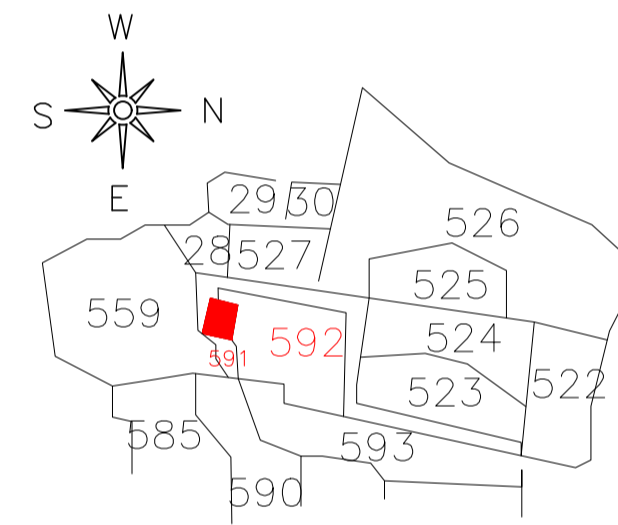
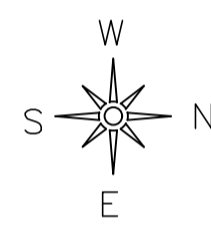
LEFT SIDE ELEVATION



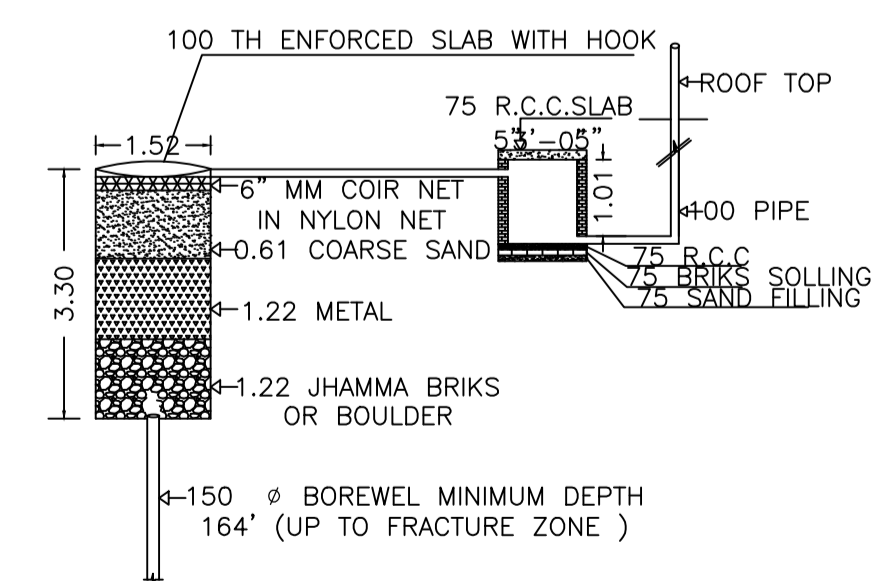
FRONT ELEVATION



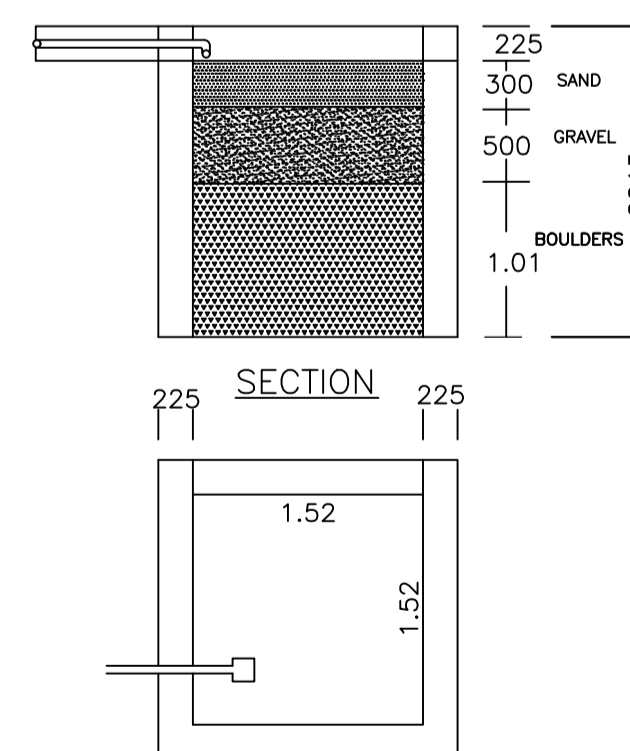
LOCATOIN PLAN  
NOT TO SCALE



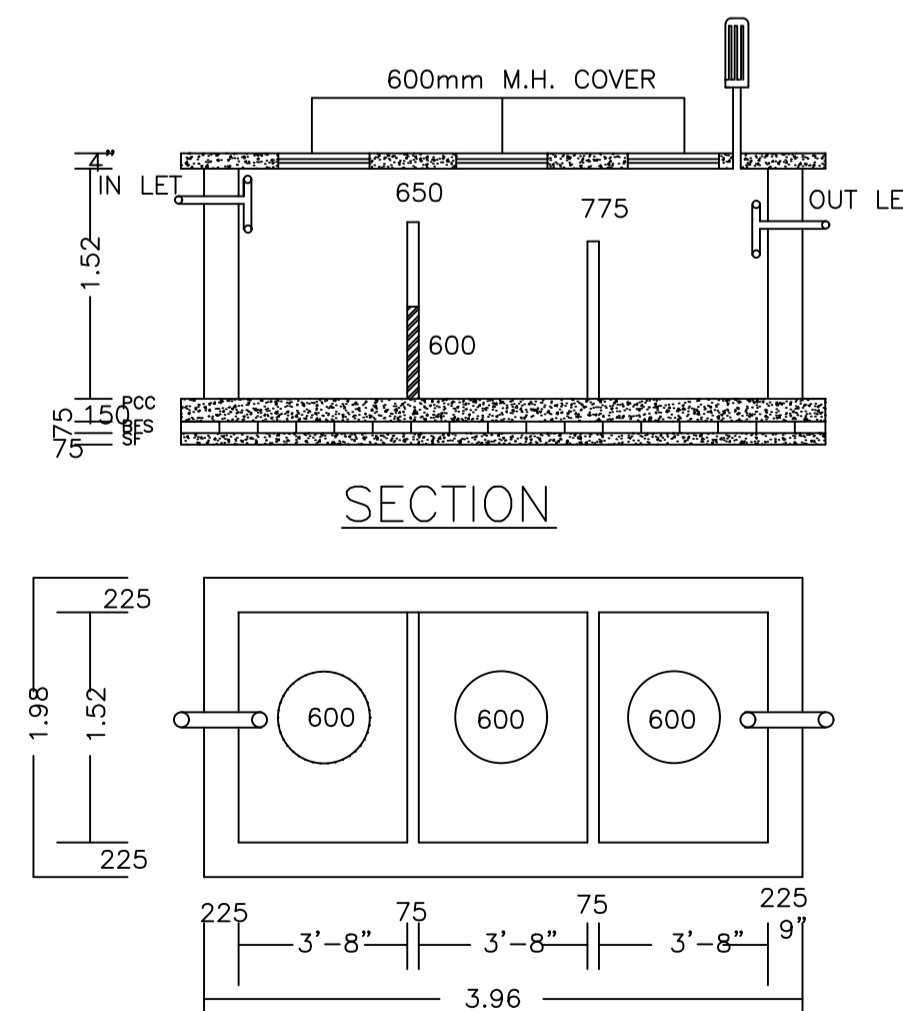
KEY PLAN  
NOT TO SCALE



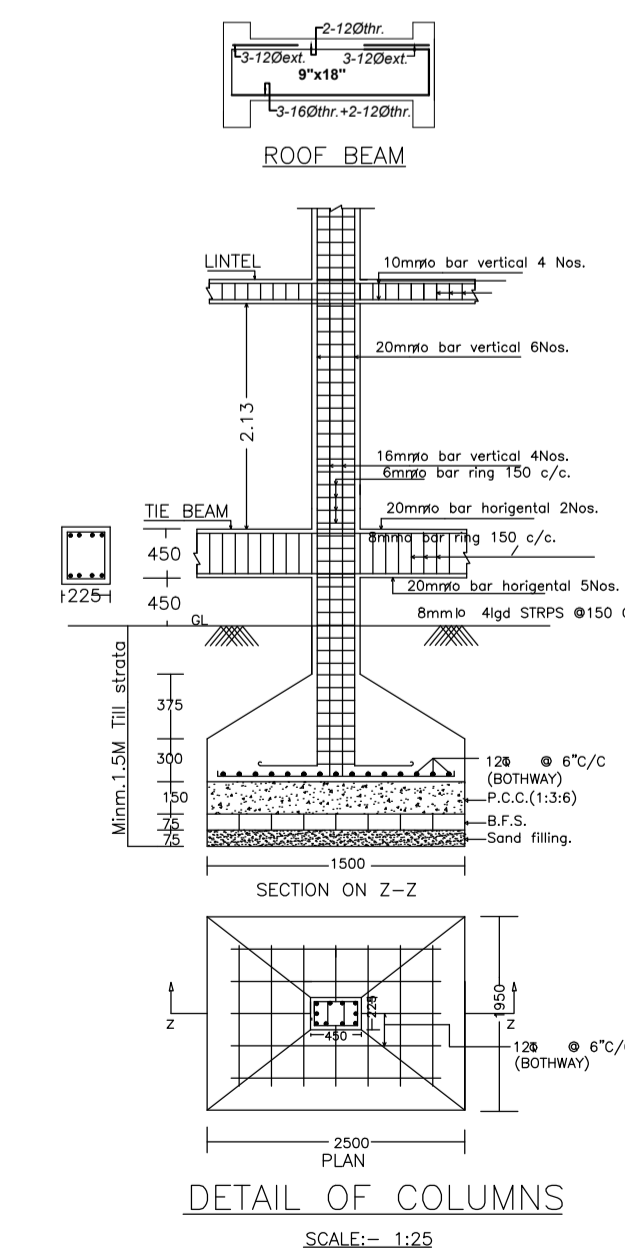
DETAIL OF GROUND WATER RECHARGING PIT WITH SILT TANK  
NOT TO SCALE



PLAN OF RAIN WATER HARVESTING  
(SCALE:-1:25)



PLAN OF SEPTIC TANK  
(SCALE:-1:25.)



DETAIL OF COLUMNS  
SCALE:- 1:25

LTP NAME AND SIGNATURE	STRUCTURAL ENG'S NAME AND SIGNATURE	BUILDER NAME AND SIGNATURE	DIGITAL SIGNATURE
ANIL KUMAR CHAUDHARY MADA/ENG/0005/2019			