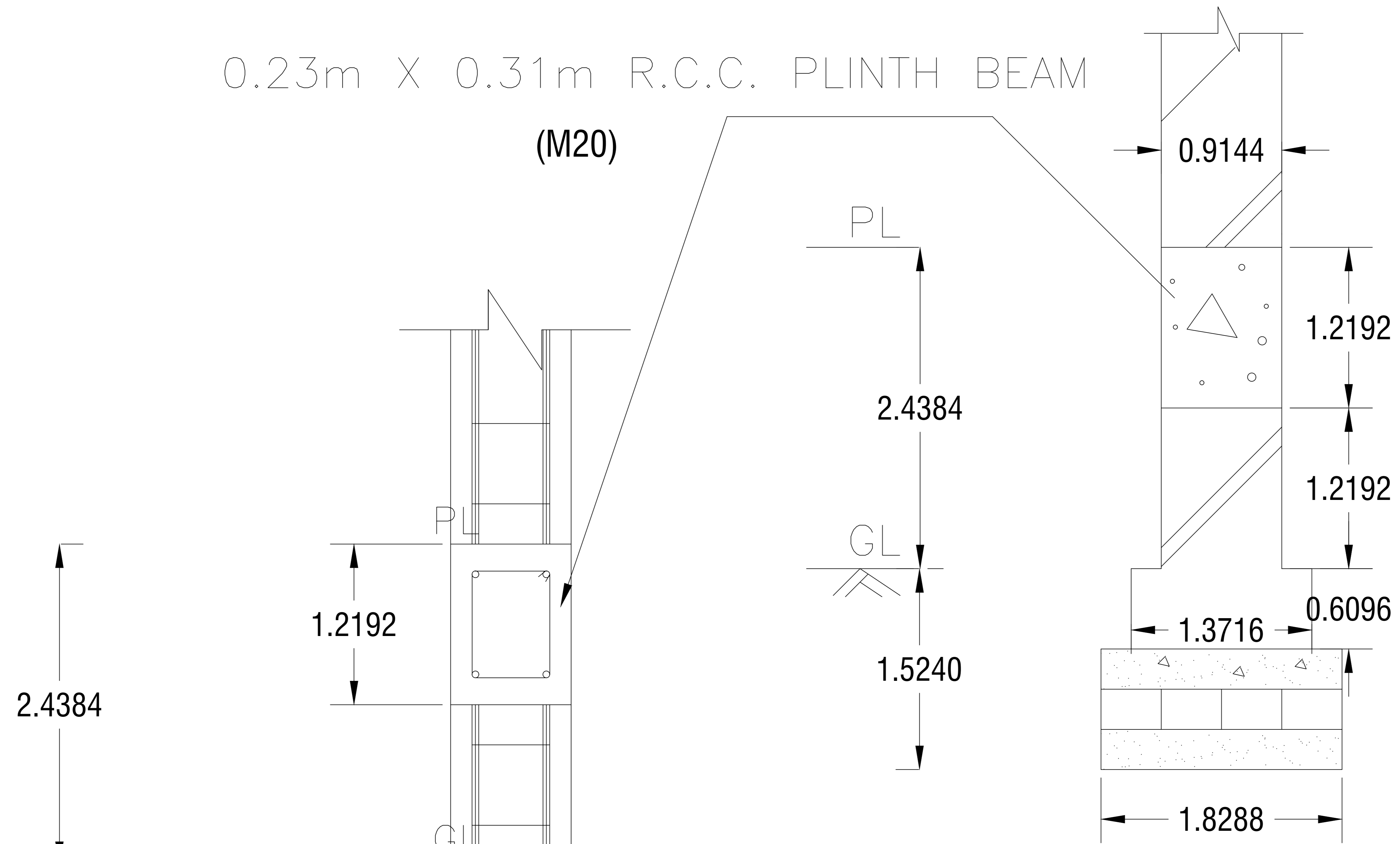


TYP. DETAIL OF STAIR

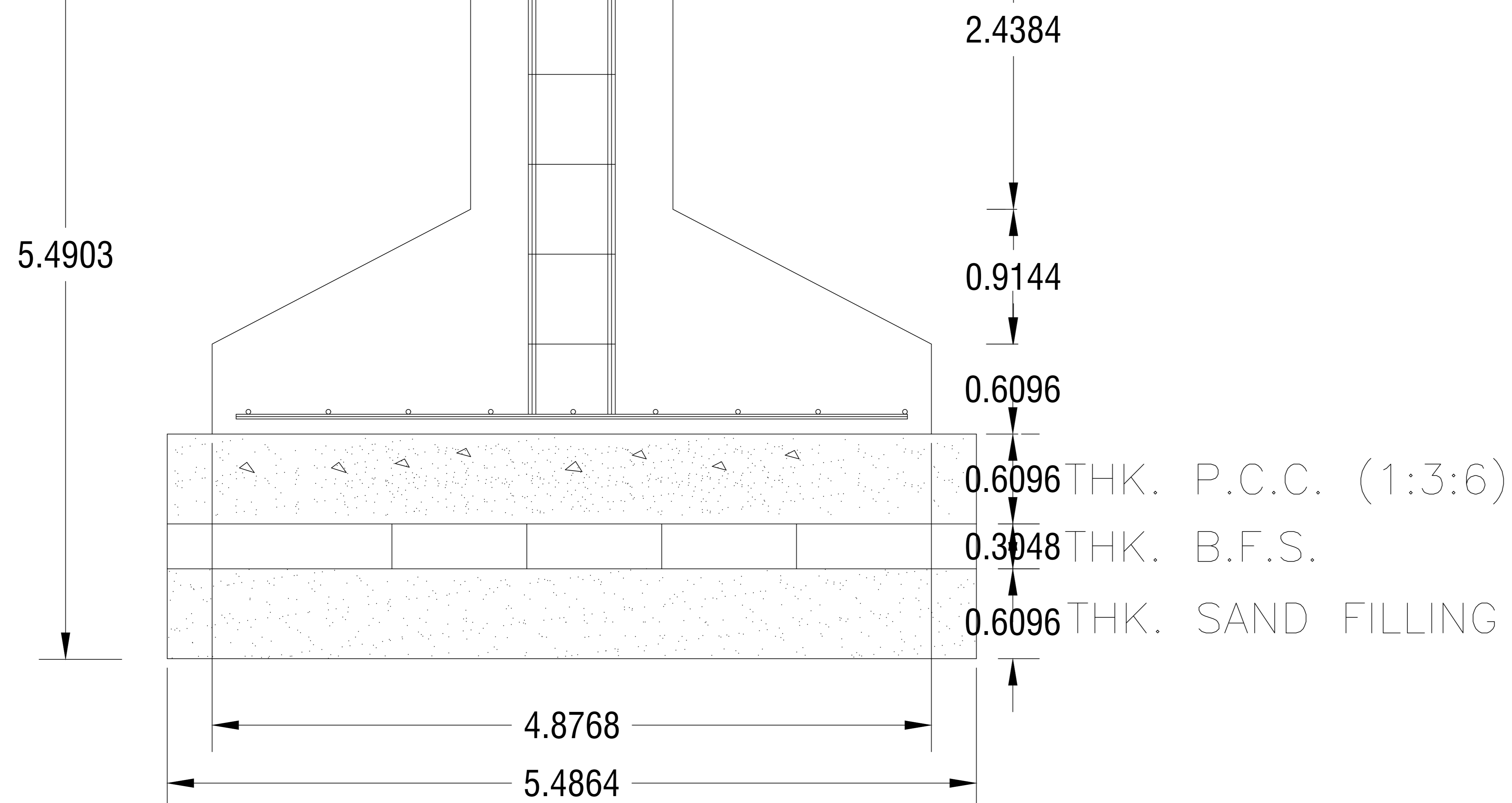
(For levels and no. of steps refer Architectural Drawing)

0.23m X 0.31m R.C.C. PLINTH BEAM

(M20)



FOUNDATION DETAILS OF WALL

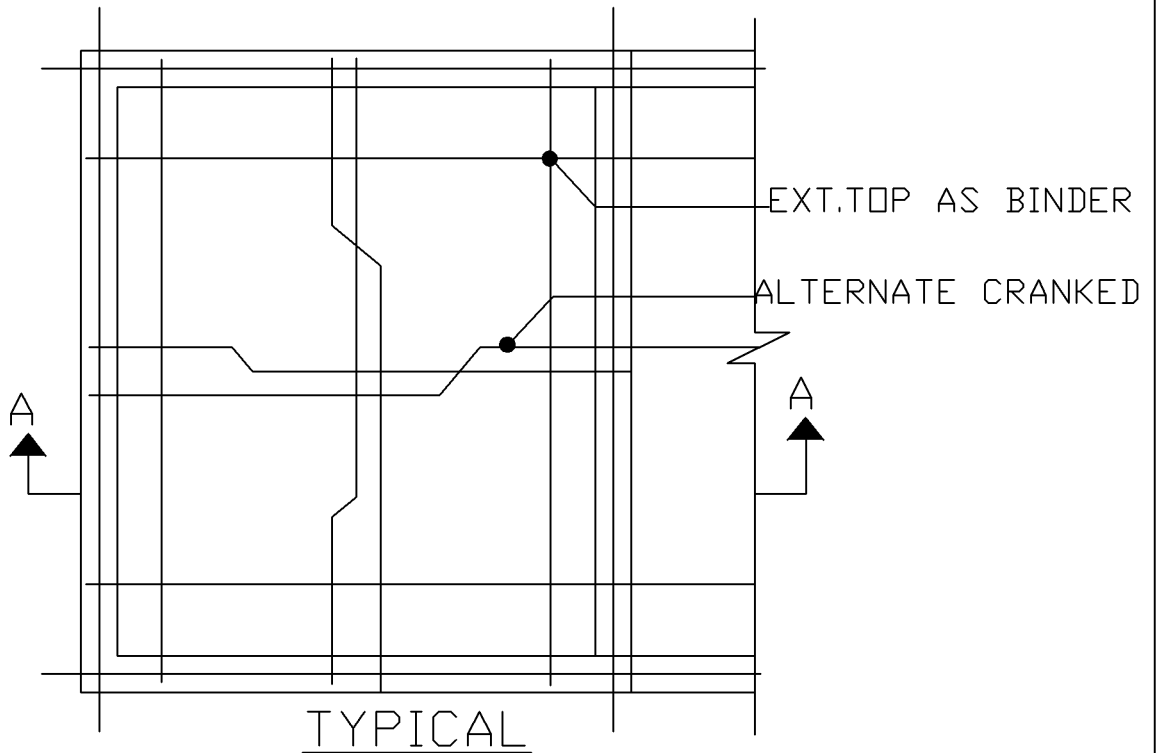


FOUNDATION DETAILS OF COLUMN

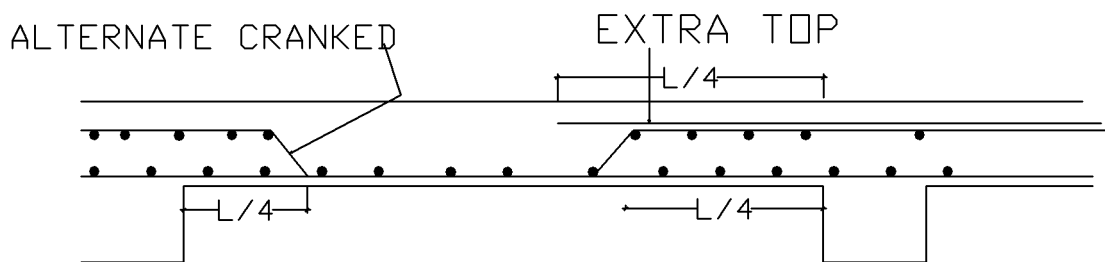
SLAB SCHEDULE (CONC. GRADE M 20)

THICKNESS OF SLAB = 4.5 " (EXCEPT MENTIONED OTHERWISE)

S.NO.	SLAB MARKED	THK.	AT SMALLER SPAN alternate cranked	AT LONGER SPAN at support
1.	S1	4.5"	08 mm. Tor 6" c/c alternate cranked at support	08 mm. Tor 6" c/c alternate cranked at support



REINFORCEMENT DETAILS OF SLAB



SECTION OF SLAB AT A-A'