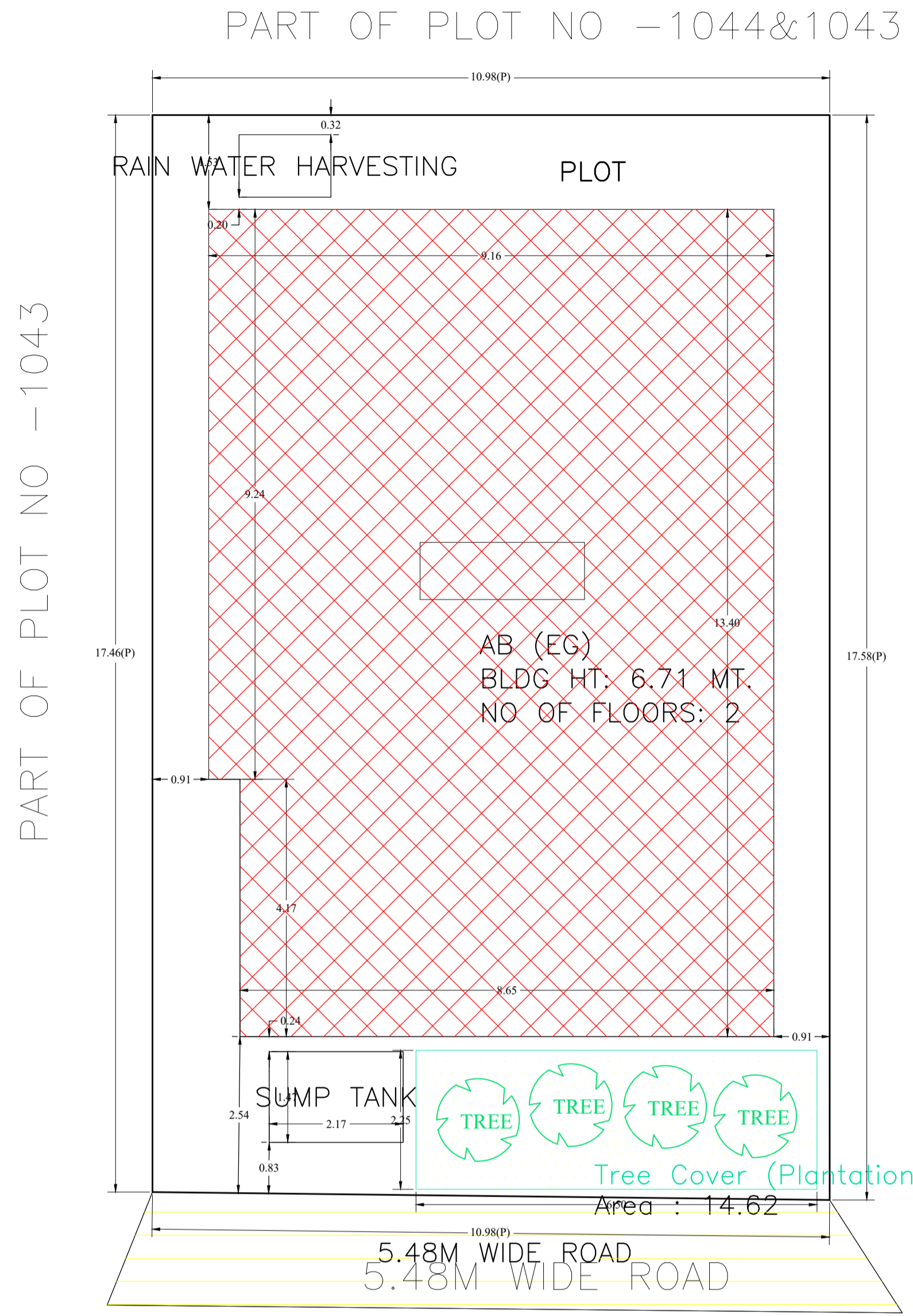
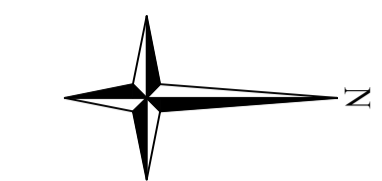
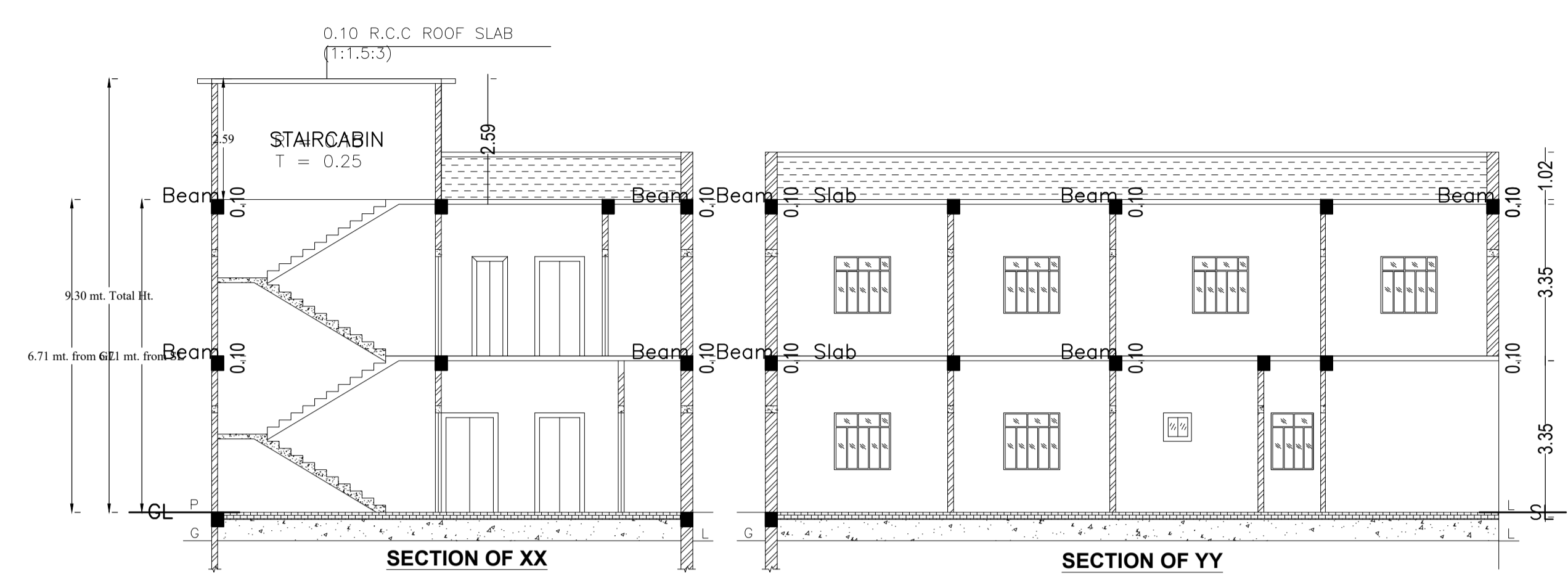


Proposal Basic Information

Proposal File No.	MADA/BP/0161/2024
Owner Name	SRI SHANKAR KUMAR YADAV
Khata No	NEW -346, OLD -12
Plot No	NEW -847,848, OLD -1044,1043
Village Name	Bowakala
Use	Residential
SubUse	Bungalow/ Dwelling / Non Apartment

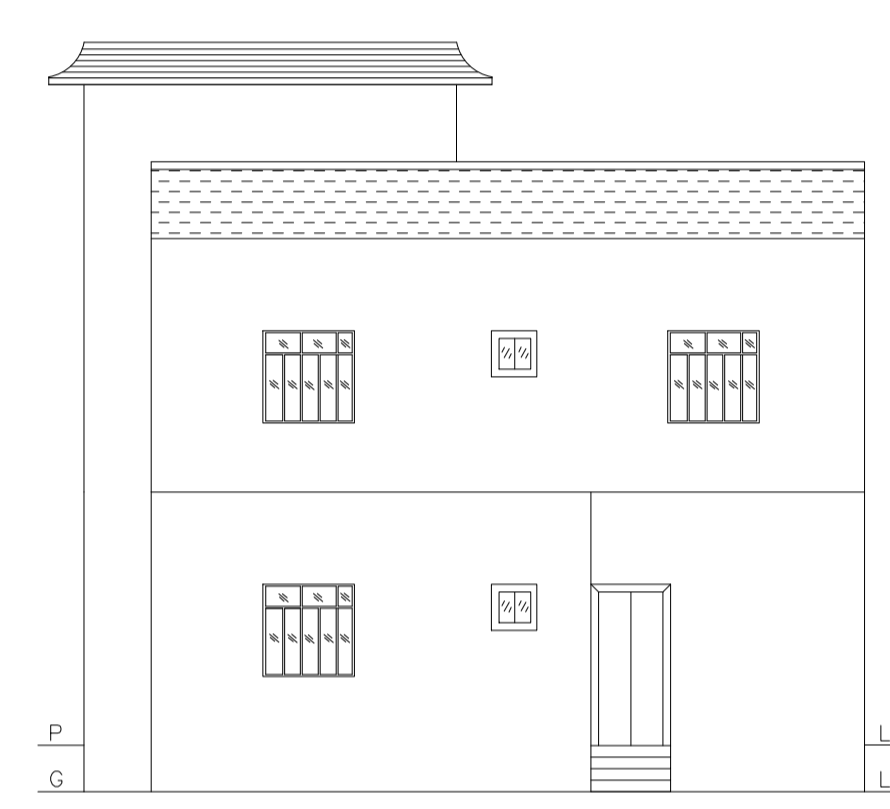


SITE PLAN

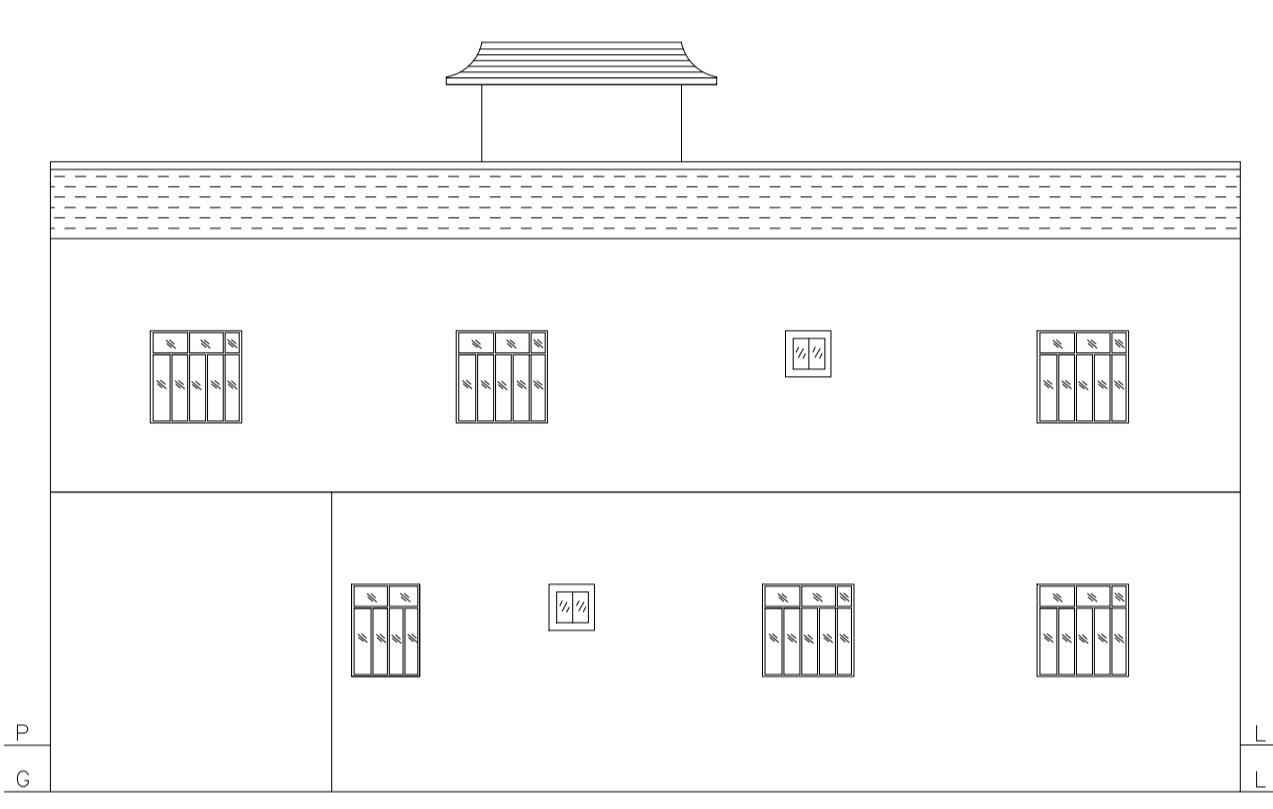


SECTION OF XX

SECTION OF YY



FRONT ELEVATION



RIGHT ELEVATION

UnitBUA Table for Building :AB (EG)

FLOOR	Name	UnitBUA Type	UnitBUA Area	Carpet Area	No. of Rooms	No. of Tenement
GROUND FLOOR PLAN	SPLIT ABC	FLAT	241.31	241.12	10	1
FIRST FLOOR PLAN	SPLIT ABC	FLAT	0.00	0.00	10	0
Total:	-	-	241.31	241.12	20	1

SCHEDULE OF DOOR:

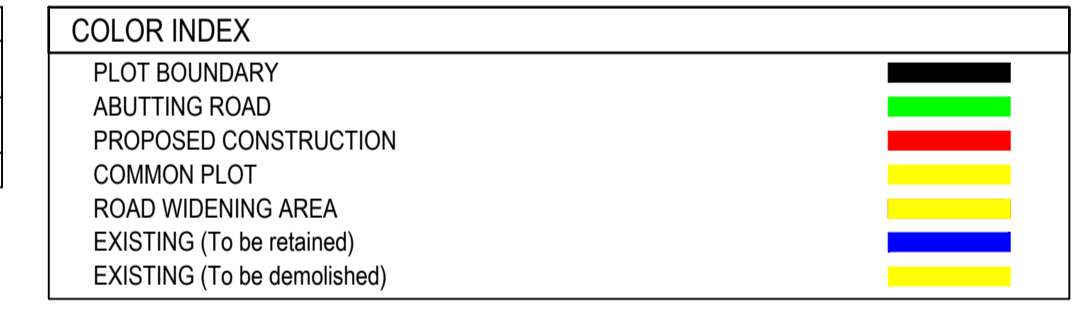
BUILDING NAME	NAME	LENGTH	HEIGHT	NOS
AB (EG)	D	0.76	2.10	06
AB (EG)	D	1.04	2.10	02
AB (EG)	D	1.07	2.10	08
AB (EG)	D	1.12	2.10	01
AB (EG)	D	1.22	2.10	02
AB (EG)	D	1.26	2.10	01

SCHEDULE OF WINDOW/VENTILATION:

BUILDING NAME	NAME	LENGTH	HEIGHT	NOS
AB (EG)	W	0.60	1.20	06
AB (EG)	W	1.21	1.20	14
AB (EG)	W	1.97	1.20	01
AB (EG)	W	2.18	1.20	01
AB (EG)	W	2.19	1.20	01
AB (EG)	W	2.40	1.20	01
AB (EG)	W	2.63	1.20	01
AB (EG)	W	2.70	1.20	01

Building :AB (EG)

Floor Name	Total Built Up Area (Sq.mt.)	Proposed FAR Area (Sq.mt.) Res.	Total FAR Area (Sq.mt.)	Total Consumed Additional FAR Area (Sq.mt.)	Tnmt (No.)
Ground Floor	120.66	120.66	120.66	120.66	01
First Floor	120.66	120.66	120.66	120.66	00
Terrace Floor	0.00	0.00	0.00	0.00	00
Total :	241.32	241.32	241.32	241.32	01
Total Number of Same Buildings :	1				
Total :	241.32	241.32	241.32	241.32	01



Buildingwise Floor FAR Details

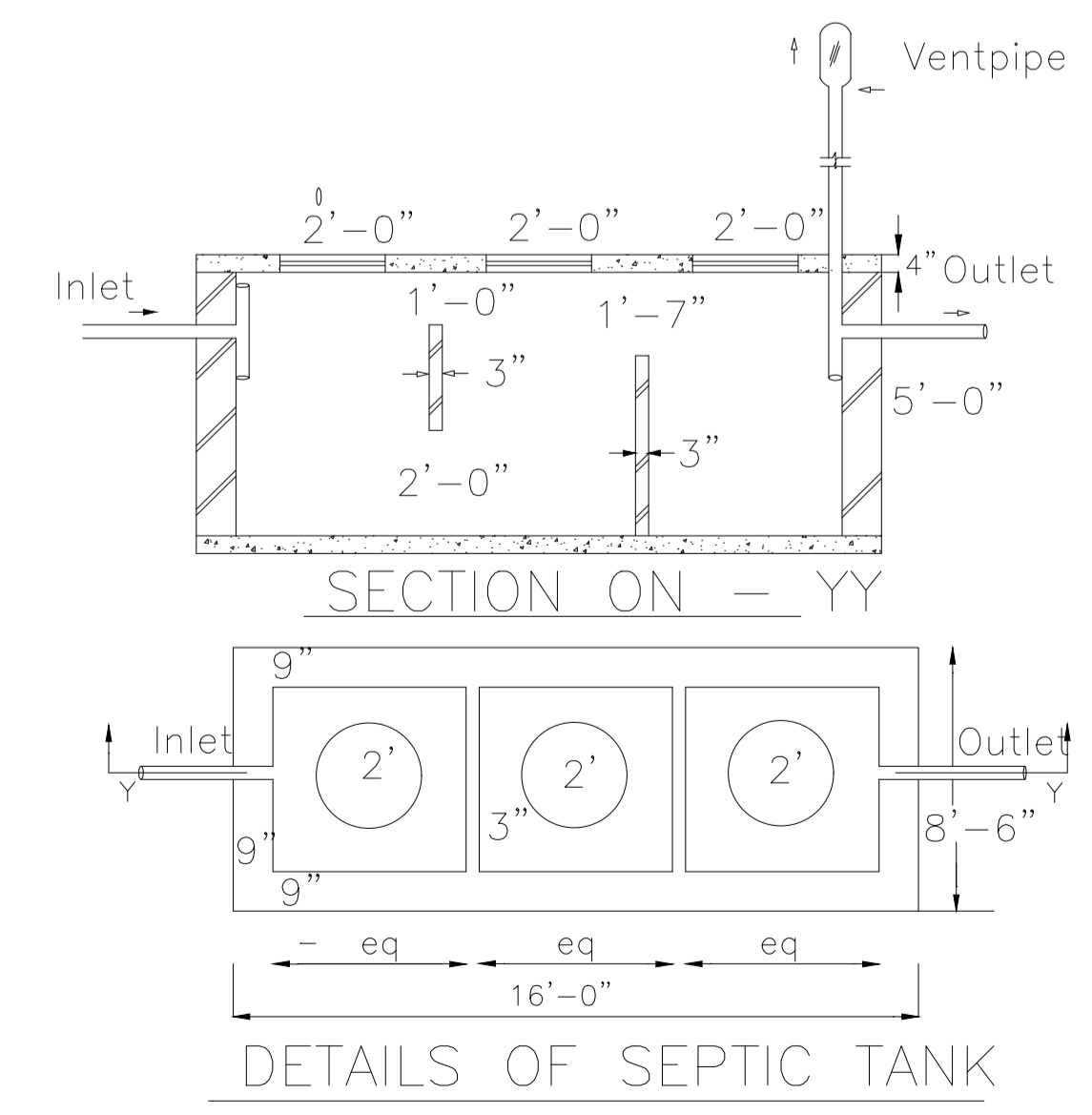
Floor Name	Building Name		Total	
	Proposed Built Up Area (Sq.mt.)	Proposed FAR Area (Sq.mt.)	Total Proposed Built Up Area (Sq.mt.)	Total FAR Area (Sq.mt.)
Ground Floor	120.66	120.66	120.66	120.66
First Floor	120.66	120.66	120.66	120.66
Terrace Floor	0.00	0.00	0.00	0.00
Total :	241.32	241.32	241.32	241.32

Building USE/SUBUSE Details

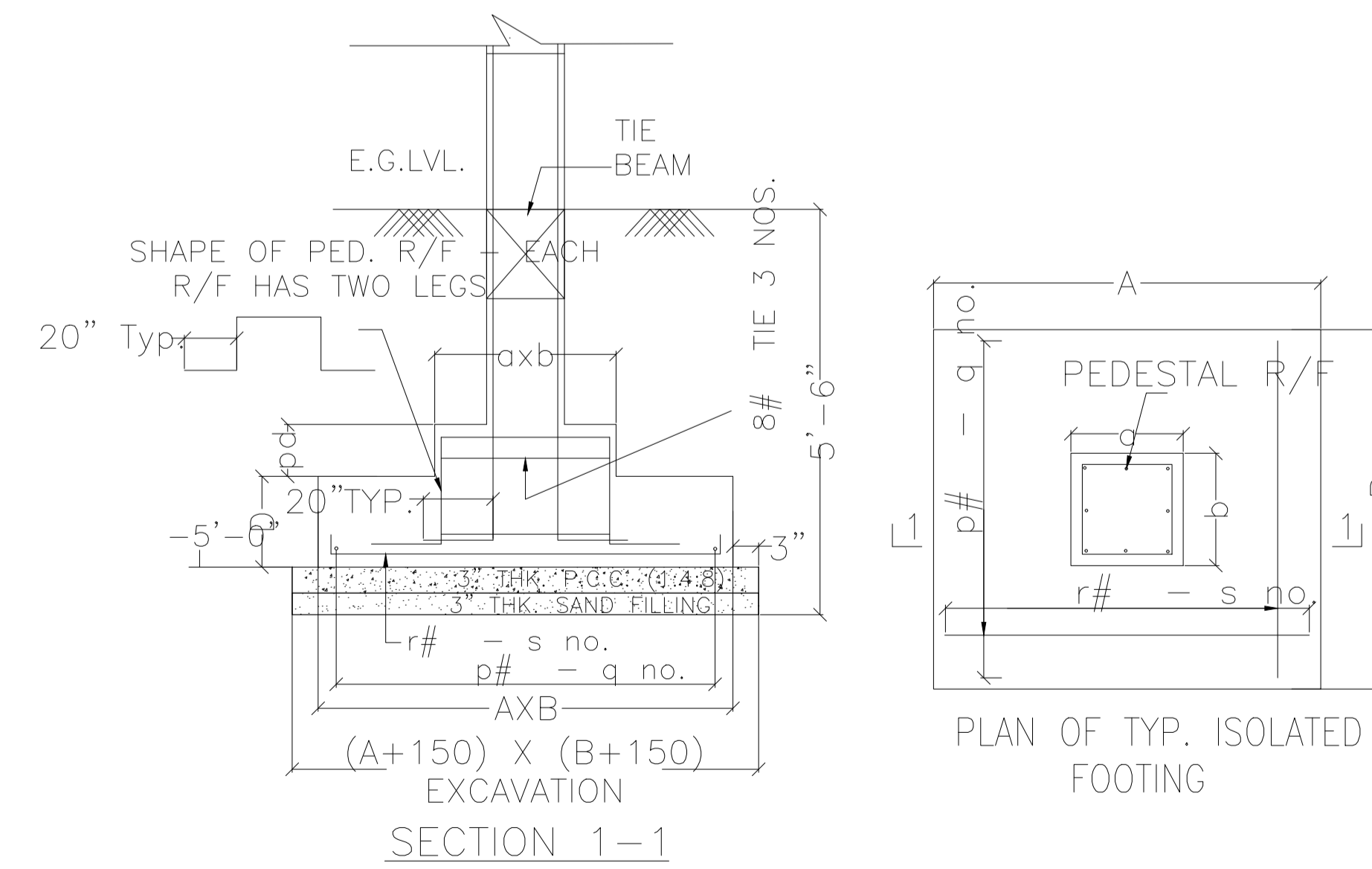
Building Name	Building Use	Building SubUse	Building Structure
AB (EG)	Residential	Bungalow/ Dwelling / Non Apartment	Non-Highrise

FAR & Tenement Details (Table 4c-1)

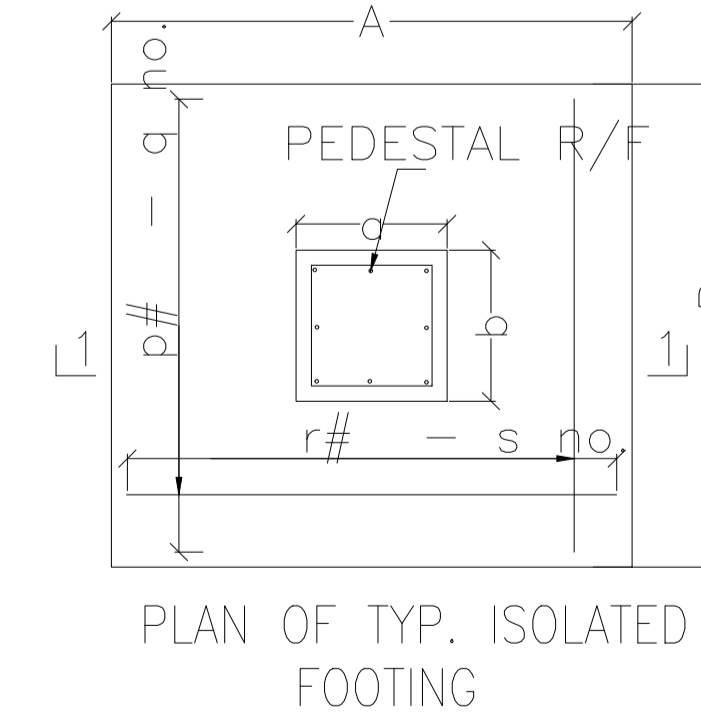
Building	No. of Same Bldg	Total Built Up Area (Sq.mt.)	Proposed FAR Area (Sq.mt.) Res.	Total FAR Area (Sq.mt.)	Total Consumed Additional FAR Area (Sq.mt.)	Tnmt (No.)
AB (EG)	1	241.32	241.32	241.32	241.32	01
Grand Total :	1	241.32	241.32	241.32	241.32	01



DETAILS OF SEPTIC TANK



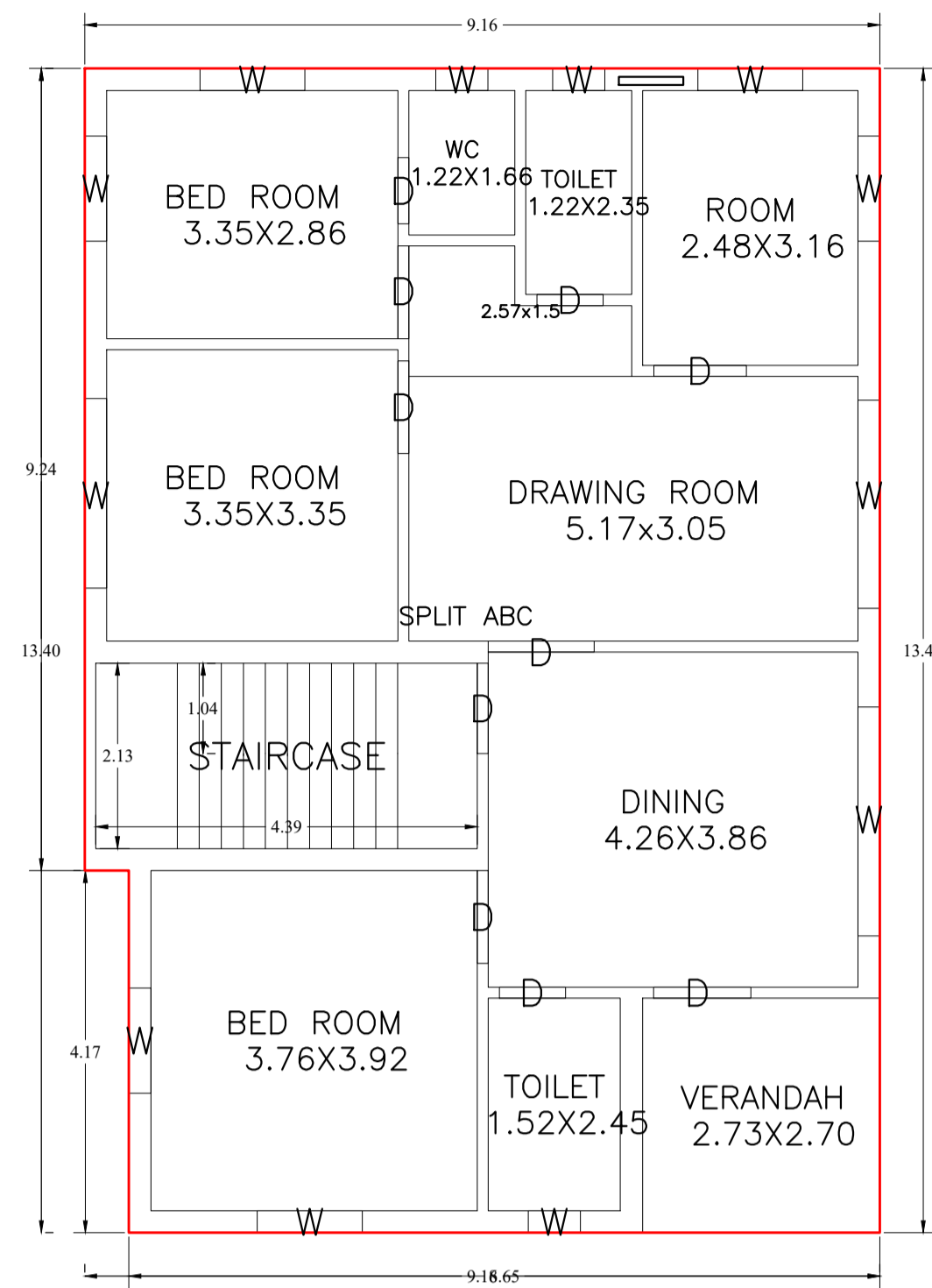
DETAILS OF COLUMN FOOTING



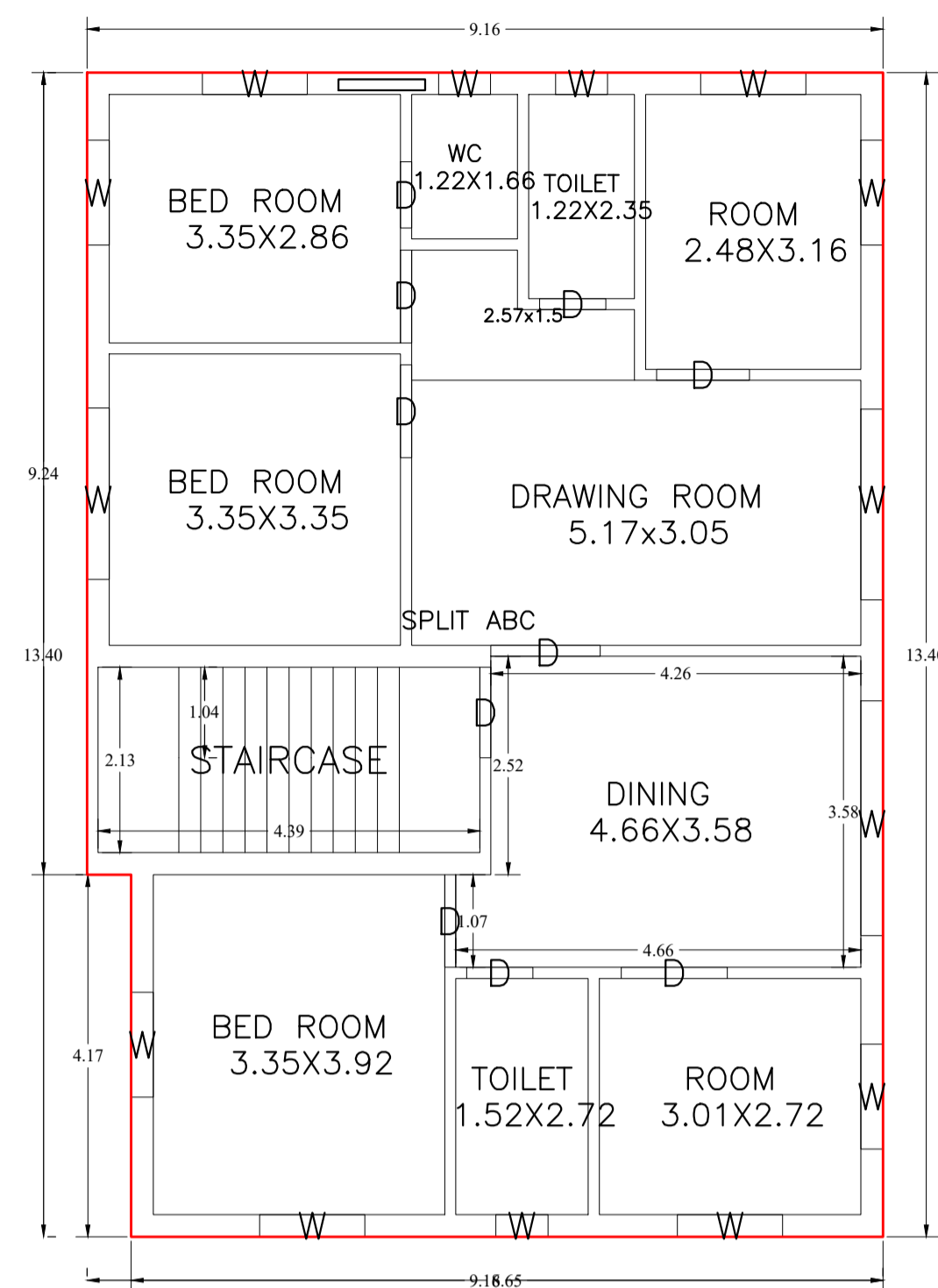
PLAN OF TYP. ISOLATED FOOTING

LTP NAME AND SIGNATURE	STRUCTURAL ENG'S NAME AND SIGNATURE	BUILDER NAME AND SIGNATURE	DIGITAL SIGNATURE
ABHISHEK KUMAR MADA/DFTMN0014/2020			

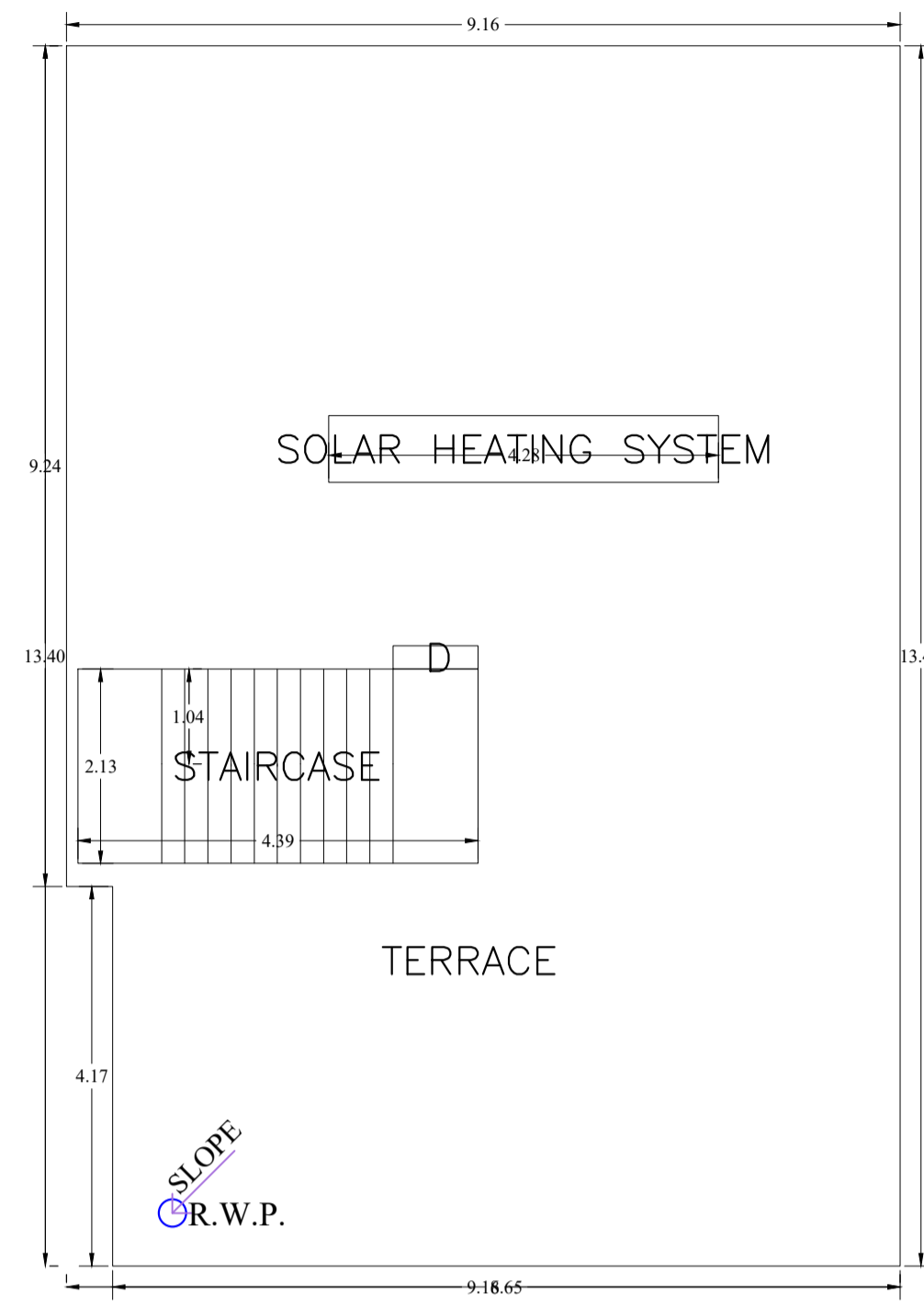
Proposal Basic Information	
Proposal File No.	MADA/BP/0161/2024
Owner Name	SRI SHANKAR KUMAR YADAV
Khata No	NEW -346, OLD -12
Plot No	NEW -847,848, OLD -1044,1043
Village Name	Bowakala
Use	Residential
SubUse	Bungalow/ Dwelling / Non Apartment



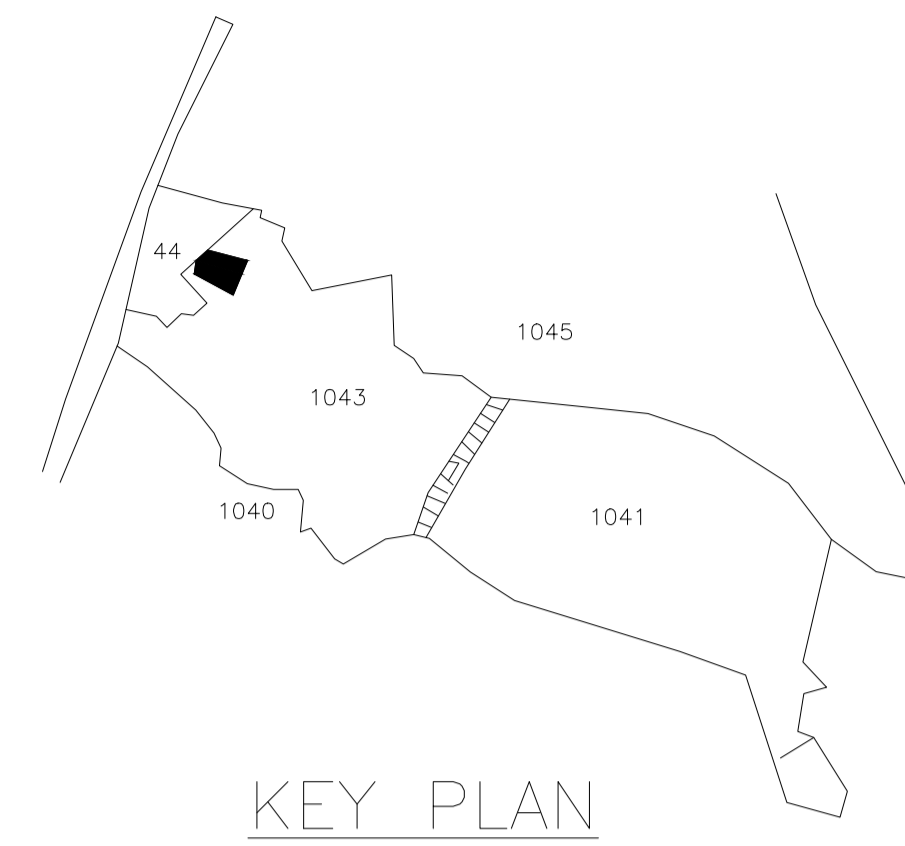
GROUND FLOOR PLAN  
(Proposed)  
(SCALE 1:100)



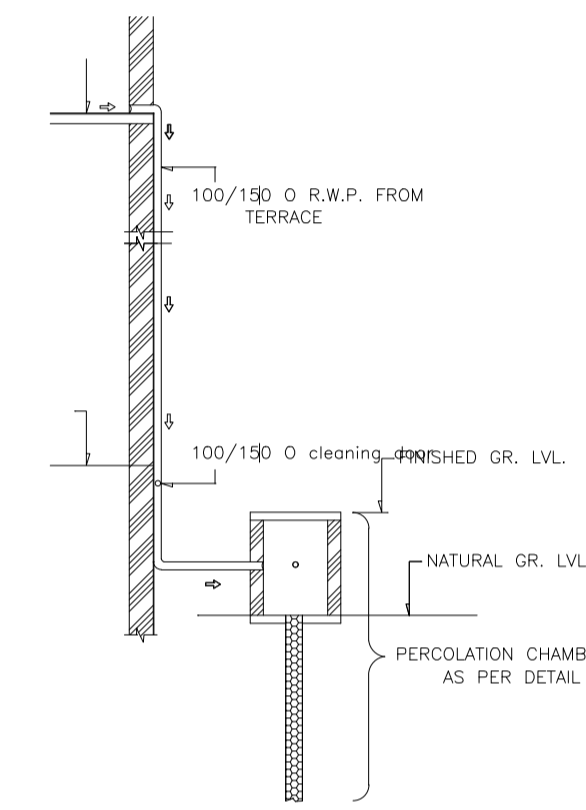
FIRST FLOOR PLAN  
(Proposed)  
(SCALE 1:100)



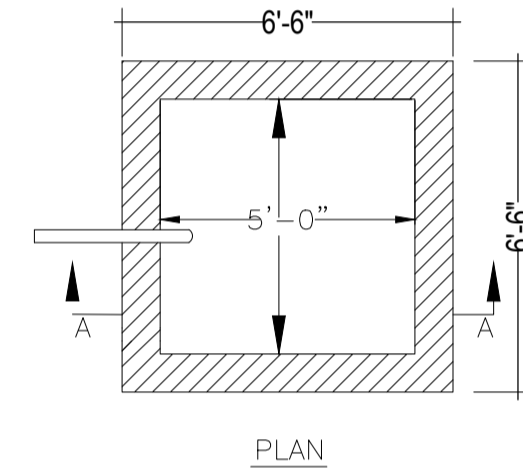
TERRACE FLOOR PLAN  
(SCALE 1:100)



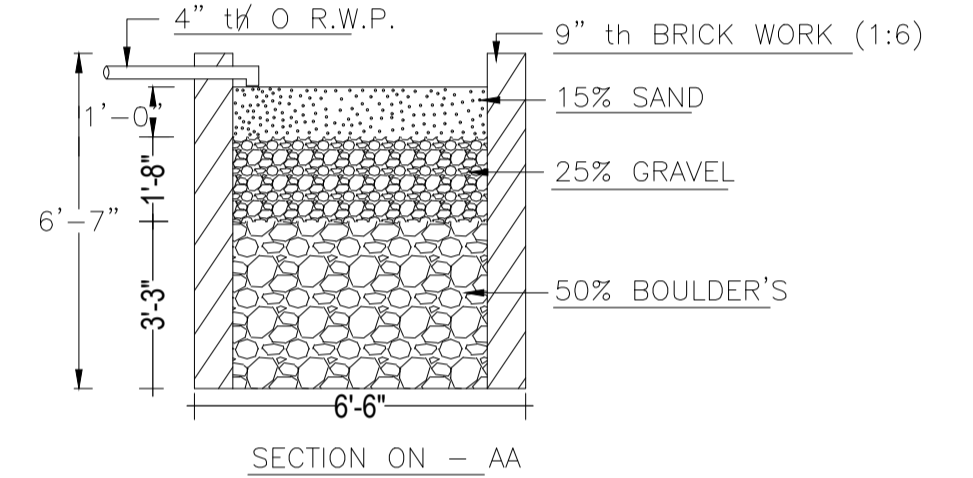
KEY PLAN



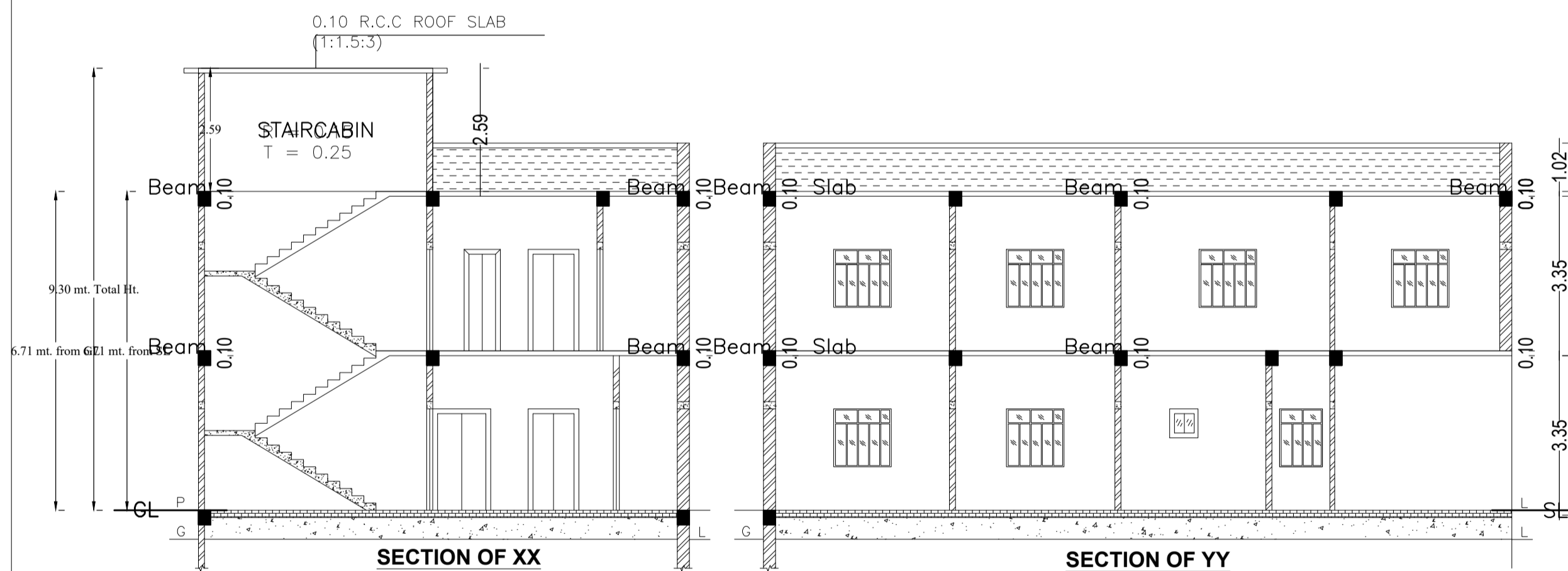
ROOF TOP RAIN WATER COLLECTION SYSTEM



DETAILS OF WATER HARVESTING

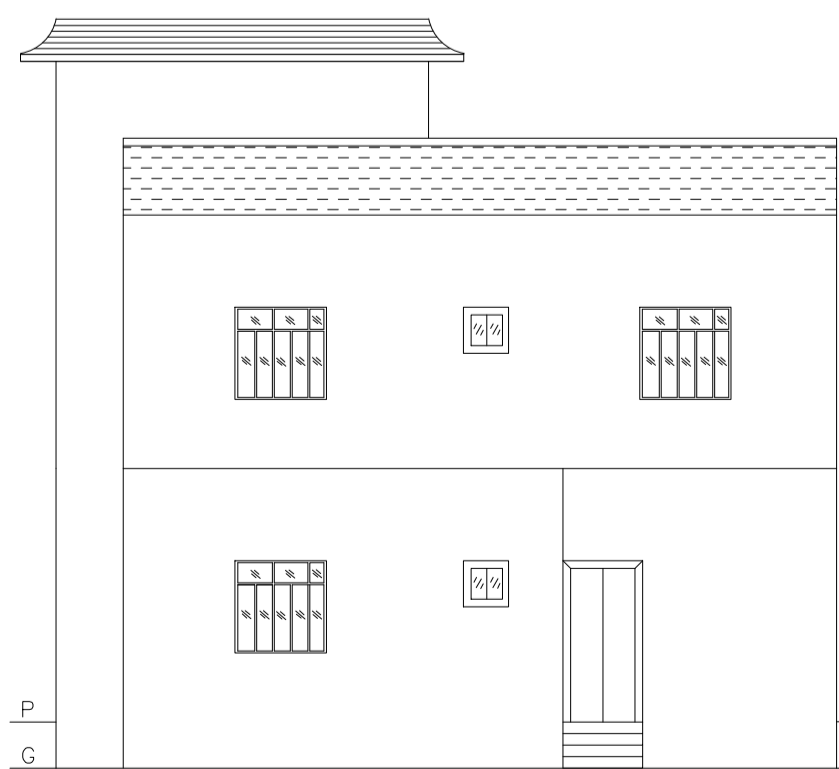


SECTION ON - AA

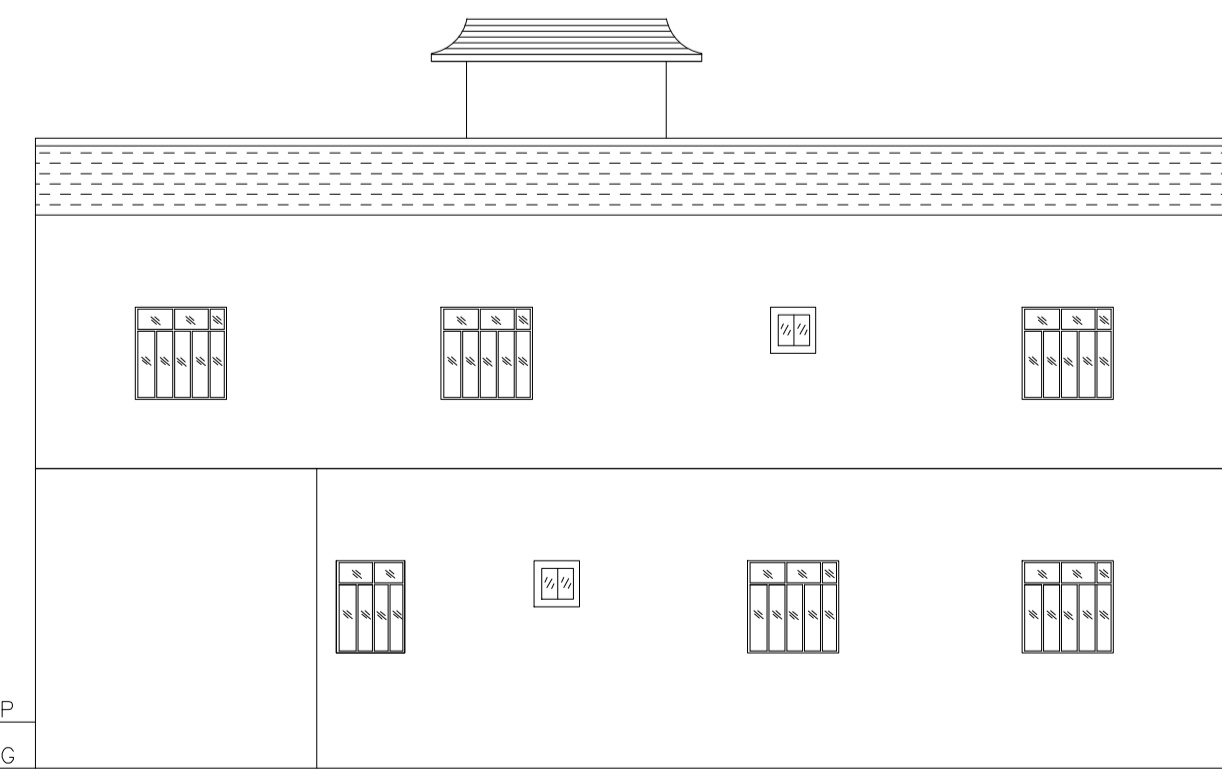


SECTION OF XX

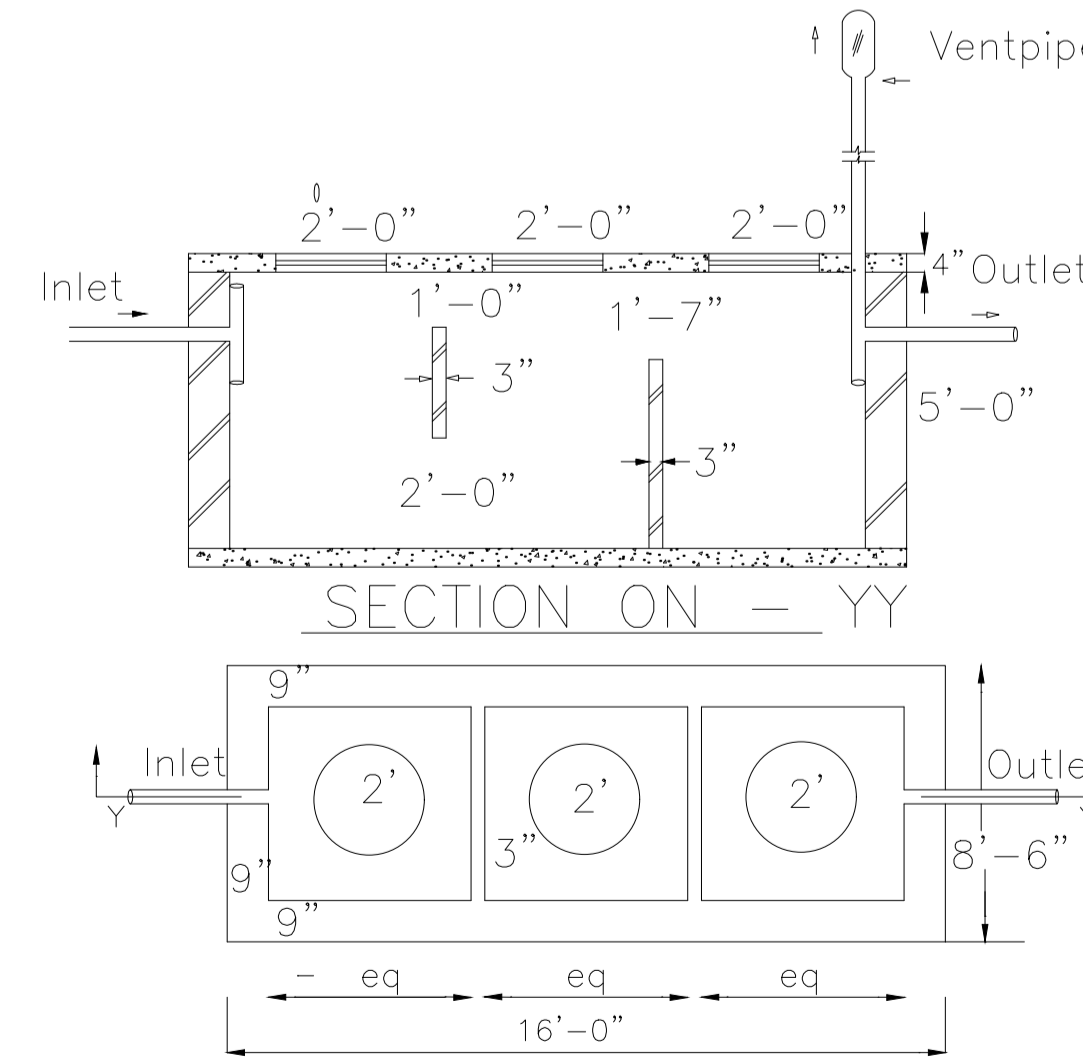
SECTION OF YY



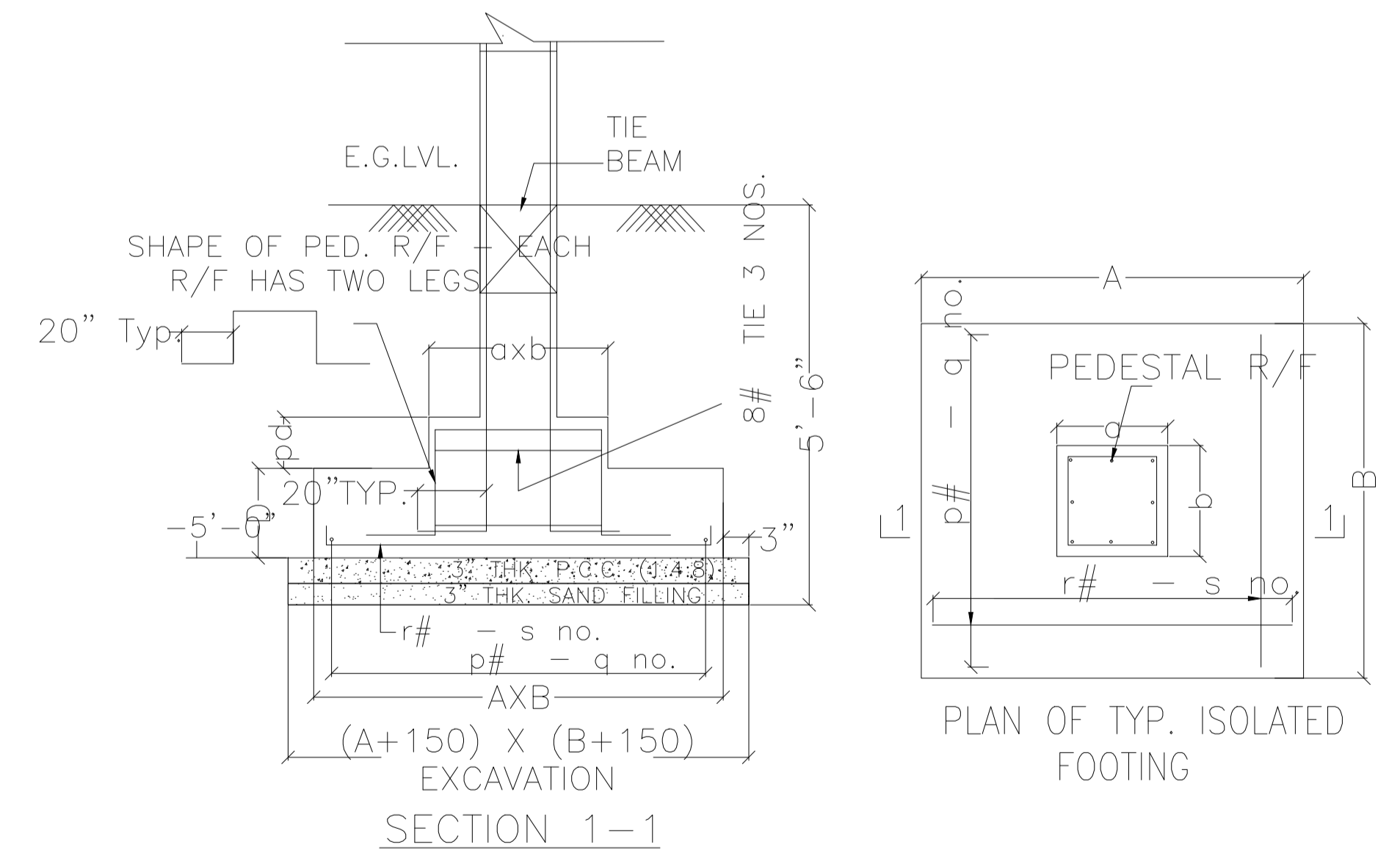
FRONT ELEVATION



RIGHT ELEVATION



DETAILS OF SEPTIC TANK



DETAILS OF COLUMN FOOTING

LTP NAME AND SIGNATURE	STRUCTURAL ENG'S NAME AND SIGNATURE	BUILDER NAME AND SIGNATURE	DIGITAL SIGNATURE
ABHISHEK KUMAR MADA/DFTMN0014/2020			